



LAK Installation Instructions

Lynx Electrical Adapter Kit

Introduction:

These instructions detail the electrical connections between Series L and later Lynx Grills and Accessories to older grills for the following accessories:

LSB1	Single Side Burner	LPB	Power Burner	LSBGE	Grill Extender
LSB2	Double Side Burner	LSB2PC	Prep Center		

Each kit contains two wire assemblies and a transformer. Only one wire assembly will be used depending on the units being installed. Only the conversion for the Grills before Series L requires the transformer.

Identifying the model year .

All gas burning grills and accessories have a unique serial number to identify each product.

The serial number contains two numbers followed by two letters followed by 5 or more additional numbers.

Older Model year

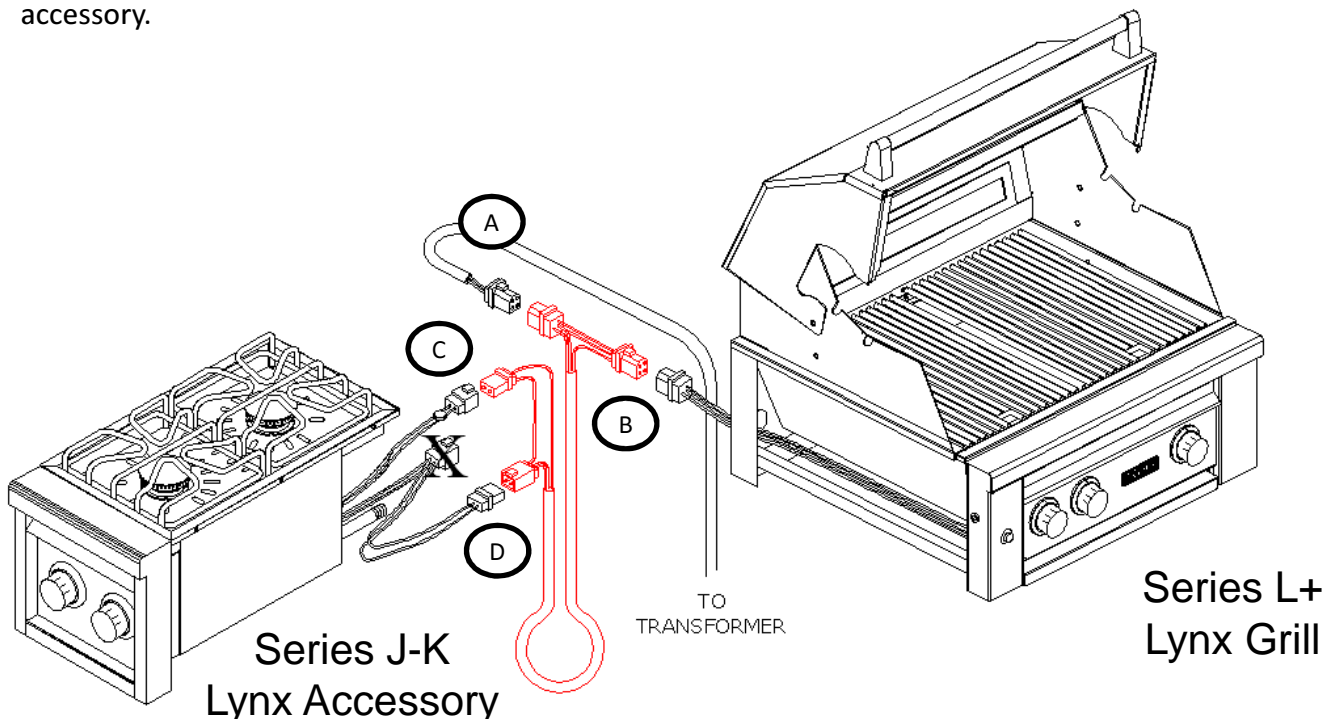
Newer Model year

S/N: 96KL91016

S/N: 03LN91016

LAK Installation – Series L and later Grills to a prior model Series Accessory:

1. Disconnect the transformer lead From the Grill.
2. Attach the adapter wire assembly to the transformer and grill shown as **(A)** and **(B)** in the diagram.
3. Locate the receptacle on the back right side of the accessory that has two simple leads. Make the connection to the plug shown as **(C)** in the diagram. DO NOT confuse this with the receptacle shown as "X" in the diagram. The connector with 4 wire leads will not be used.
4. The last connection is the receptacle on the adapter to the 2 pin plug on the wire lead from the accessory.



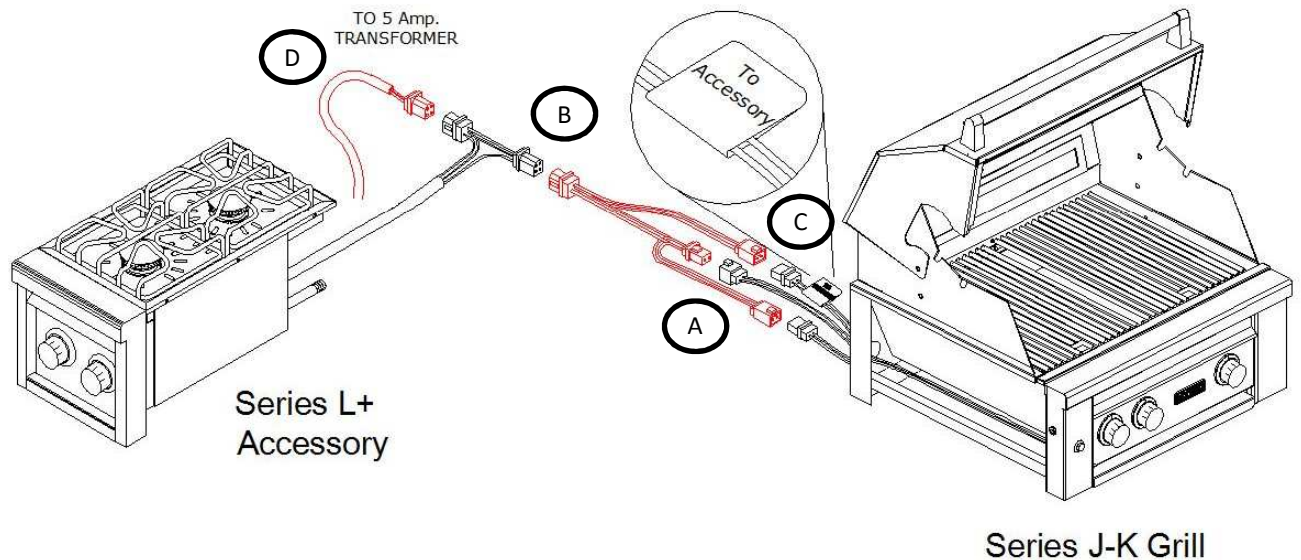
Precautions while working on electrical connections:

Read and understand the instruction manuals provided with both the grill and accessory being installed. Review these instructions in their entirety before beginning.

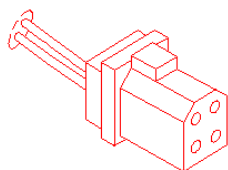
TURN OFF ALL GAS AT IT'S SOURCE to the appliances **BEFORE** beginning any electrical work. When working on an island installation, open any doors or drawers and allow the space to ventilate before beginning any work. Unplug the transformer from it's receptacle under the island.

LAK Installation – Series L and later Accessory to a prior model Series Grill:

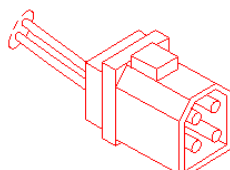
1. Disconnect the transformer lead labeled 1700mA and 500mA. *This transformer will no longer be used.*
2. Attach the two joined leads from the harness shown as **(A)** in the diagram. Note that this lead has two, 2-pin connectors (one male one female). **DO NOT** confuse this with the receptacle shown as **(C)**.
3. Attach the 4-pin receptacle from this harness to the plug from the accessory shown as **(B)** in the diagram.
4. Locate the plug on the back right side of the Grill that is labeled **TO ACCESSORY**. Make the connection to the receptacle shown as **(C)** in the diagram.
5. The last connection is the 4 pin plug on the adapter to the 4 pin receptacle on the wire lead from the transformer into the accessory shown as **(D)** in the diagram.



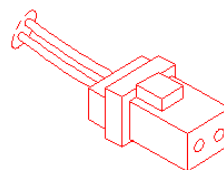
Connector identification:



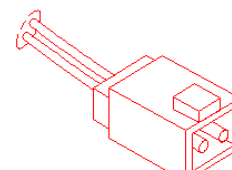
4 pin PLUG



4 pin RECEPTACLE



2 pin PLUG



2 pin RECEPTACLE