

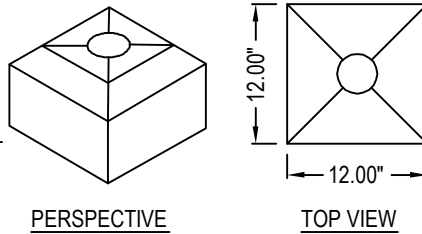
SELECT DESIRED GAS:

- NATURAL GAS
- PROPANE

SELECT DESIRED FINISH:

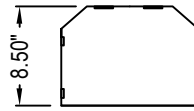
- 316 MARINE GRADE STAINLESS STEEL
- BRONZE POWDER COAT
- BLACK POWDER COAT
- CUSTOM POWDER COAT SPECIFY:  
\_\_\_\_\_

OPTIONAL GAS CONNECTION COVER  
HEAT COVERAGE

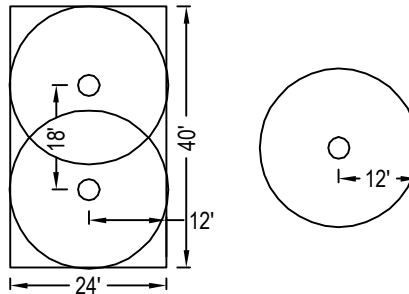


PERSPECTIVE

TOP VIEW

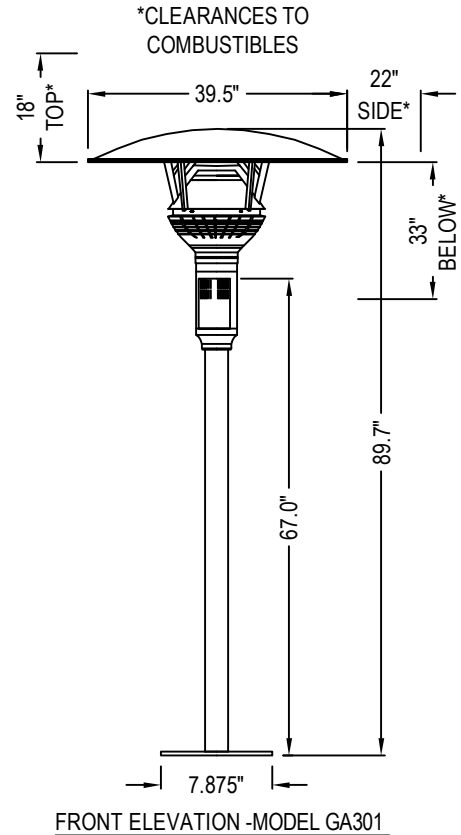


FRONT & SIDE  
ELEVATION

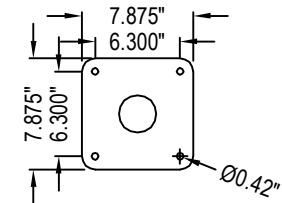


TYPICAL COVERAGE  
TWO HEATERS

TYPICAL COVERAGE  
ONE HEATER



FRONT ELEVATION -MODEL GA301



BOTTOM MOUNTING PLATE

**TECHNICAL SPECIFICATIONS:**

- HIGH FIRE - 53,000BTU/HR (NG)  
47,000BTU/HR (LPG)
- LOW FIRE - 46,000BTU/HR (NG)  
40,000BTU/HR (LPG)
- GAS SUPPLY PRESSURE: NG -6.5"  
W.C. (MIN), 14.0" W.C. (MAX)  
LPG: 10.8" W.C. (MIN), 14.0" W.C.  
(MAX)
- ELECTRICAL SUPPLY: 24 VOLTS, 0.8  
AMPS
- DIRECT SPARK IGNITION WITH  
3-TRY LOCK OUT & AUTOMATIC  
RE-LIGHT

**WARRANTY:**

- 3 YEARS ON 316 STAINLESS STEEL  
EMITTER
- 1 YEAR ON ALL OTHER PARTS

**NOTES:**

1. INSTALLATION TO BE COMPLETED IN ACCORDANCE WITH MANUFACTURER'S SPECIFICATIONS.
2. DO NOT SCALE DRAWING.
3. THIS DRAWING IS INTENDED FOR USE BY ARCHITECTS, ENGINEERS, CONTRACTORS, CONSULTANTS AND DESIGN PROFESSIONALS FOR PLANNING PURPOSES ONLY. THIS DRAWING MAY NOT BE USED FOR CONSTRUCTION.
4. ALL INFORMATION CONTAINED HEREIN WAS CURRENT AT THE TIME OF DEVELOPMENT BUT MUST BE REVIEWED AND APPROVED BY THE PRODUCT MANUFACTURER TO BE CONSIDERED ACCURATE.
5. CONTRACTOR'S NOTE: FOR PRODUCT AND COMPANY INFORMATION VISIT [www.CADdetails.com/info](http://www.CADdetails.com/info) AND ENTER REFERENCE NUMBER 5029-005.

EVENGLO FIXED SERIES: MODEL **GA301U**