

GAS
COLLECTION

2019
2020

THE INSPIRATION®
FIREPLACE INSERT SERIES



Inspiration® 29 MV Gas Insert with Red Brick Panels and Regular Surround, featured with the Draome Chicago Cast Stone Surround



AMBIANCE®

FIREPLACES | GRILLS

THE INSPIRATION® FIREPLACE INSERT SERIES



Inspiration® 34 Fireplace Insert with Logs, Ledge Stone Finish and Citadel Surround



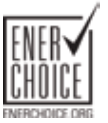
Flexible Financing!

Most Ambiance Authorized Dealers offer advantageous & flexible financing solutions.*

To apply online, visit
united-buyers-group.com/financing-program

Subject to credit approval. UBG Consumer Credit Accounts are offered by Comenity Capital Bank (US applicants only). Financing Availability may vary by location.

THE INSPIRATION® FIREPLACE INSERT SERIES



FEATURES

FEATURES OF THE ELECTRONIC IGNITION SERIES

Radiant heat transfers warmth to objects, including the human body. It provides the bone warming feeling like sunlight on the beach, even though the air might be a little cooler. Convection heat transfers warmth to air, which will in turn satisfy the wall thermostat, but will keep objects, including the human body cooler. The Ambiance Inspiration® Inserts series offer you both technologies. Choose to operate without the fan and get an amazing radiant heater. Choose to operate it with the fan and you will be getting one of the most efficient inserts on the market today! Flexibility will serve you well!

FEATURES OF THE RADIANT MV MODEL

The Inspiration® 29 MV generates its own energy to operate the fire. This insert is radiant 100% as it comes standard without a fan and boasts Energuide Efficiency of 70.4%. The Inspiration® 29 MV is simple to use. It is perfect for homes where a quiet and relaxing fire is a must!

The Inspiration® 29MV is approved everywhere in Canada and the USA, even in regions where a shut off regulation is imposed on standing pilots.

No Electricity Required

The Ambiance Inspiration® Inserts series perform very well if you find yourself without electricity. As one of the most efficient inserts on the market, it will keep you warm!



«Ecotel» Remote

The Inspriation® 29 and 34 come standard with the fan system, the ambient lights and the Ecotel remote.

Optional Fan & Remote

If a remote and a variable speed heat activated fan are important to you, you may still have them installed with your Inspiration® 29 MV model. The remote can be a simple on/off system as well as a programmable thermostatic remote. The decision is yours!



Inspiration® Insert with logs, red brick finish and Craftsmen Decorative Surround.



Inspiration® Fireplace Insert with River Rocks, Tinted Mirrored Glass Finish and Standard Surround

THE INSPIRATION® FIREPLACE INSERT SERIES

CHOOSE A DECORATIVE SURROUND



Novel



Citadel



Craftsmen

Colors for Decorative Surrounds More finishes are available. Visit the Ambiance Website or ask your Ambiance Dealer.



Textured Black



English Pewter



Forged Iron



Burnished Cooper



Burnished Bronze



Honey Maple

OR CHOOSE A STANDARD BLACK SURROUND

These Surrounds are offered in Black only.



Standard surround



4-sided Standard surround

CHOOSE YOUR MEDIA

Interior Finishes



Matte Black Finish



Brick Finish



Grooved Finish



Tinted Mirrored Glass Finish



Ledge Stone Finish

Glass Beads



Clear White



Sky Blue



Jet Black



Amber

River Rocks



*Glass Beads and River Rocks not available on Inspiration® 29MV model

AMBIANCE NON-COMBUSTIBLE MANTELS

3 STYLES AVAILABLE



Live Edge Timber



Hewn Mortise Beam



Rough Sawn Beam

3 COLORS AVAILABLE



Golden



Storm Grey



Mahogany

DESCRIPTION	DIMENSIONS
Live Edge Timber 5' Golden	60"L x 8"D x 7"H
Live Edge Timber 6' Golden	72"L x 8"D x 7"H
Live Edge Timber 5' Storm Grey	60"L x 8"D x 7"H
Live Edge Timber 6' Storm Grey	72"L x 8"D x 7"H
Live Edge Timber 5' Mahogany	60"L x 8"D x 7"H
Live Edge Timber 6' Mahogany	72"L x 8"D x 7"H
Hewn Mortise Beam 5' Golden	60"L x 7"D x 6.5"H
Hewn Mortise Beam 6' Golden	72"L x 7"D x 6.5"H
Hewn Mortise Beam 5' Storm Grey	60"L x 7"D x 6.5"H
Hewn Mortise Beam 6' Storm Grey	72"L x 7"D x 6.5"H
Hewn Mortise Beam 5' Mahogany	60"L x 7"D x 6.5"H
Hewn Mortise Beam 6' Mahogany	72"L x 7"D x 6.5"H
Rough Sawn Beam 5' Golden	60"L x 8"D x 8"H
Rough Sawn Beam 6' Golden	72"L x 8"D x 8"H
Rough Sawn Beam 5' Storm Grey	60"L x 8"D x 8"H
Rough Sawn Beam 6' Storm Grey	72"L x 8"D x 8"H
Rough Sawn Beam 5' Mahogany	60"L x 8"D x 8"H
Rough Sawn Beam 6' Mahogany	72"L x 8"D x 8"H

MAKE IT A SURROUND BY INCLUDING THE POSTS



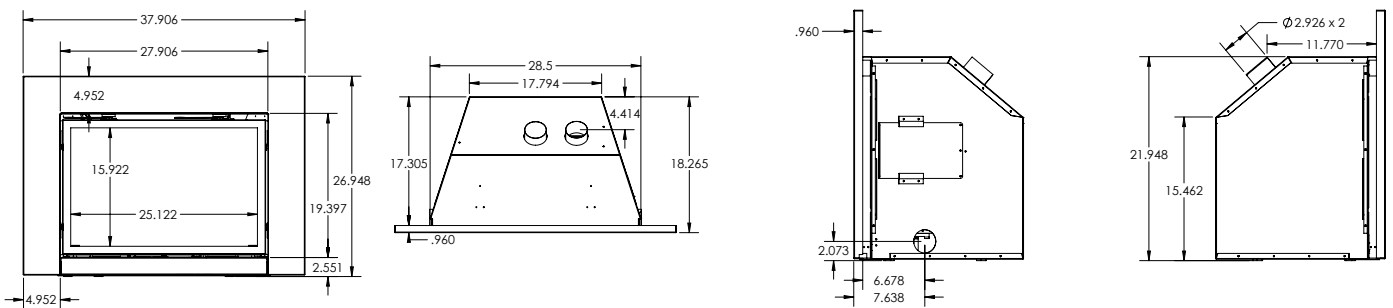
A piece of Timber really adds value to a fireplace mantel. With fireplaces becoming more and more efficient, clearances to combustibles have increased. Too many times, having a piece of wood above the fireplace is simply not possible. This is why, Ambiance Dealers have decided to get a solution in place. These Ambiance Mantels are non-combustible!

THE INSPIRATION® FIREPLACE INSERT SERIES



Inspiration 29 Fireplace Insert with Jet Black Glass Beads, Tinted Mirrored Glass Finish and Standard Black Surround.

TECHNICAL SPECIFICATIONS INSPIRATION® 29 MV

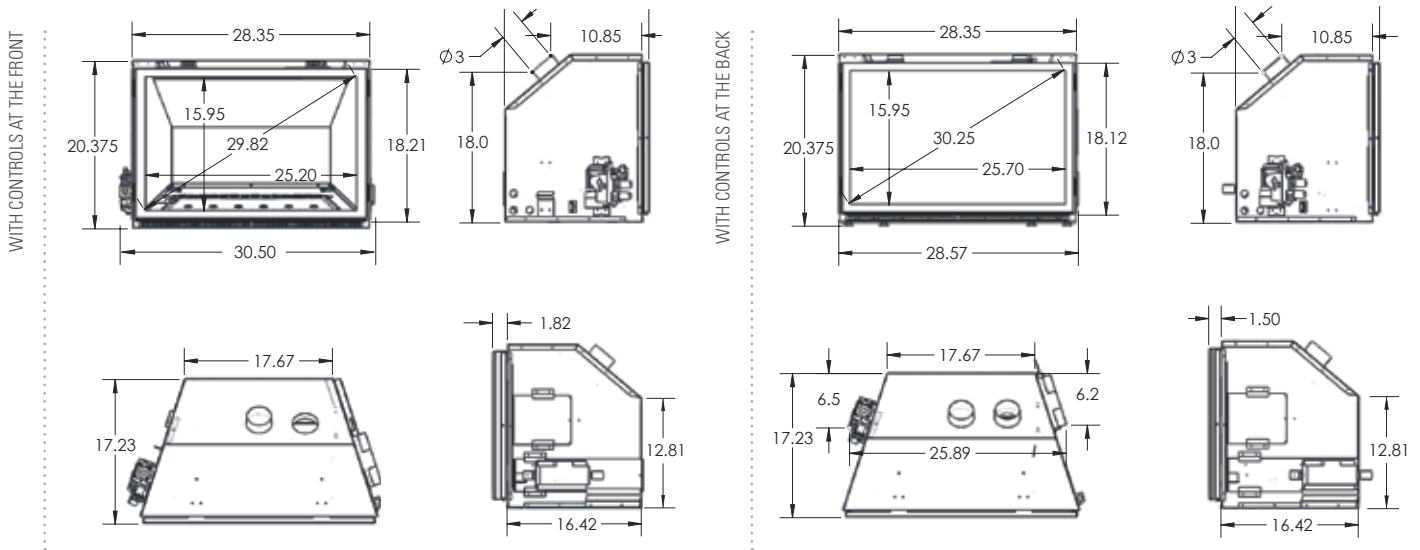


BTU INPUT				EFFICIENCIES		VENTING			GLASS		
NG Max	LP Max	NG Low	LP Low	Energuide	Steady State	Type	Max Height	ID & OD	Type	Dimensions	Area sq in
31 500	29 500	17 500	15 000	71,19%	76,00%	Direct	35 pieds	3'	Clear View Robax	25.75" X 16"	410
DIMENSIONS			MINIMUM FIREPLACE OPENING			BLOWER		FUEL MANAGEMENT			
Height	Depth	Width	Height	Depth	Width	Type	CFM	Valve type	Thermostat	Turn down	
28 ½"	17½"	22"	28 ½"	17½"	22"	Vitesse variable	150	Millivolt	optionel	45%NG/50%LP	

Approved in Canada and USA

THE INSPIRATION® FIREPLACE INSERT SERIES

TECHNICAL SPECIFICATIONS INSPIRATION® 29

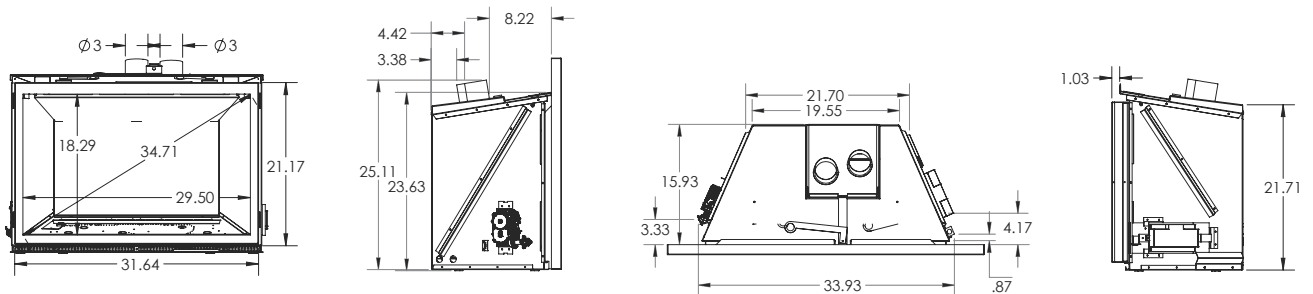


	BTU INPUT				EFFICIENCIES		VENTING			GLASS		
	NG Max	LP Max	NG Low	LP Low	Energuide	Steady State	Type	Max Height	ID & OD	Type	Dimensions	Area sq in
With Controls at the Back	31 500	29 500	17 500	15 000	NG: 71.4% LP: 72.3%	NG: 79% LP: 79%	Flex	40 feet	3" ID	Clear view Robax	16" X 25 ¾"	410
With Controls at the Front	31 500	29 500	17 500	15 000	NG: 71.4% LP: 72.3%	NG: 79% LP: 79%	Flex	40 feet	3" ID	Clear view Robax	16" X 25 ¾"	410

	DIMENSIONS			MINIMUM FIREPLACE OPENING			BLOWER		FUEL MANAGEMENT		
	Height	Depth	Width	Height	Depth	Width	Type	CFM	Valve type	Thermostat	Turn down
With Controls at the Back	20"	17 ¼"	28 9/16"	20"	18"	28 ¾"	Variable Speed	125	IPI	Remote Control	45%NG/50%LP
With Controls at the Front	20"	17 ¼"	30 ½"	20"	18"	30 ¾"	Variable Speed	125	IPI	Remote Control	45%NG/50%LP

Approved in Canada and USA

TECHNICAL SPECIFICATIONS INSPIRATION® 34



	BTU INPUT				EFFICIENCIES		VENTING			GLASS		
	NG Max	LP Max	NG Low	LP Low	Energuide	Steady State	Type	Max Height	ID & OD	Type	Dimensions	Area sq in
	40 000	40 000	21 000	20 000	71.93%	79%	Flex	40 feet	3"	Ceramic	18.75" X 29"	544

	DIMENSIONS			MINIMUM FIREPLACE OPENING			BLOWER		FUEL MANAGEMENT		
	Height	Depth	Width	Height	Depth	Width	Type	CFM	Valve type	Thermostat	Turn down
	24"	16"	34"	24 ½"	16"	34 ½"	Variable Speed	125	IPI	Remote Control	50%NG/50%LP

Approved in Canada and USA



AMBIANCE®
FIREPLACES | GRILLS



WHY CHOOSE AN AMBIANCE® FIREPLACE OR GRILL?

Fun, peace of mind, energy efficiency, innovation, custom designs and comfort control define the Ambiance® Fireplace & Grill products. Before going to the drawing board, we always consult with over 200 veteran fireplace and grill store owners and installers from coast to coast. These fireplace & grill experts are anxious to contribute their thoughts and ideas. They simply want the best product for their customers in their local market.

Ambiance is the result of the union of family owned businesses across the United States and Canada. Your local Ambiance Dealer is family owned and contributes to your local economy. For each product category, whether it is gas fireplaces, gas logs, wood fireplaces, electric fireplaces or grills, we select for each of them, the very best family owned manufacturing companies. Ambiance is the only brand in the industry that unites over 220 family owned businesses to deliver the very best products to you! From our families to yours!

GAS FIREPLACES STANDARD EQUIPMENT INCLUDES:

- Innovative burner technology provides an extremely realistic ember bed and flame pattern.
- Hand carved and hand painted logs create a natural and balanced appearance in the firebox.
- Latest fire management technology includes your choice of the “standing pilot” or the “intermittent pilot system”.
- Certified and safety tested by top agencies in North America, including CSA and ANSI.
- Sold and installed by the very best network of Fireplace Stores in the country!
- Gas Inserts are manufactured in Beautiful British Columbia Canada using components made in the USA, Canada, Germany and Italy.