



OWNER'S MANUAL

Riverside™ Series
(RSS36_ illustrated)



For outdoor use only

SAFETY INFORMATION

⚠ WARNING

FIRE OR EXPLOSION HAZARD

Failure to follow safety warnings exactly could result in serious injury, death, or property damage.

- Do not store or use gasoline or other flammable vapors and liquids in the vicinity of this or any other appliance.

- WHAT TO DO IF YOU SMELL GAS:

- Do not try to light any appliance.
- Do not touch any electrical switch; do not use any phone in your building.
- Immediately call your gas supplier from a neighbour's phone. Follow the gas supplier's instructions.
- If you cannot reach your gas supplier, call the fire department.

- Installation and service must be performed by a qualified installer, service agency, or the supplier.




APPLY SERIAL NUMBER LABEL FROM CARTON



WARNING

- This appliance is hot when operated and can cause severe burns if contacted.
- Any changes to this appliance or its control can be dangerous and are prohibited.
- Do not operate appliance before reading and understanding operating instructions. Failure to operate appliance according to operating instructions could cause fire or injury.
- Risk of fire or asphyxiation do not operate appliance with fixed glass removed.
- Do not connect 110 volts to the control valve.
- Risk of burns. The appliance should be turned off and cooled before servicing.
- Do not install damaged, incomplete or substitute components.
- Risk of cuts and abrasions. Wear protective gloves and safety glasses during installation. Sheet metal edges may be sharp.
- Children and adults should be alerted to the hazards of high surface temperature and should stay away to avoid burns or clothing ignition.
- Young children should be carefully supervised when they are in the same room as the appliance. Toddlers, young children, and others may be susceptible to accidental contact burns. A physical barrier is recommended if there are at risk individuals in the house. To restrict access to an appliance or stove, install an adjustable safety gate to keep toddlers, young children and other at risk individuals out of the room and away from hot surfaces.
- Clothing or other flammable material should not be placed on or near the appliance.
- Due to high temperatures, the appliance should be located out of traffic and away from furniture and draperies.
- Ensure you have incorporated adequate safety measure to protect infants/toddlers from touching hot surfaces.
- Even after the appliance is out, the glass and/or screen will remain hot for an extended period of time.
- Check with your local hearth specialty dealer for safety screens and hearth guards to protect children from hot surfaces. These screens and guards must be fastened to the floor.
- Any safety screen, guard or barrier removed for servicing the appliance, must be replaced prior to operating the appliance.
- The appliance is a vented gas-fired appliance. Do not burn wood or other materials in the appliance.
- The appliance area must be kept clear and free from combustible materials, gasoline and other flammable vapors and liquids.
- Under no circumstances should this appliance be modified.
- This appliance must not be connected to a chimney flue pipe serving a separate solid fuel burning appliance.
- Do not use this appliance if any part has been under water. Immediately call a qualified service technician to inspect the appliance and to replace any part of the control system and any gas control which has been under water.
- Do not operate the appliance with the glass door removed, cracked or broken. Replacement of the glass should be done by a licensed or qualified service person.
- Do not strike or slam shut the appliance glass door.
- When equipped with pressure relief doors, they must be kept closed while the appliance is operating to prevent exhaust fumes containing carbon monoxide, from entering into the home. Temperatures of the exhaust escaping through these openings can also cause the surrounding combustible materials to overheat and catch fire.
- Only doors / optional fronts certified with the unit are to be installed on the appliance.
- Keep the packaging material out of reach of children and dispose of the material in a safe manner. As with all plastic bags, these are not toys and should be kept away from children and infants.
- As with any combustion appliance, we recommend having your appliance regularly inspected and serviced as well as having a carbon monoxide detector installed in the same area to defend you and your family against carbon monoxide.
- Ensure clearances to combustibles are maintained when building a mantel or shelves above the appliance. Elevated temperatures on the wall or in the air above the appliance can cause melting, discoloration or damage to decorations, a T.V. or other electronic components.
- A barrier designed to reduce the risk of burns from the hot viewing glass is provided with this appliance and shall be installed.
- If the barrier becomes damaged, the barrier shall be replaced with the manufacturer's barrier for this appliance.
- Installation and repair should be done by a qualified service person. The appliance should be inspected before use and at least annually by a professional service person. More frequent cleaning may be required due to excessive lint from carpeting, bedding material, etc. It is imperative that control compartments, burners and circulating air passageways of the appliance be kept clean.

 WARNING: This product can expose you to chemicals including lead and lead compounds, which are known to the State of California to cause cancer, and chemicals including carbon monoxide, which are known to the State of California to cause birth defects or other reproductive harm. For more information, go to www.P65Warnings.ca.gov.

1.0	getting to know your appliance	5
1.1	control access	6
1.2	rating plate information	6
2.0	operating your appliance	7
2.1	using your appliance	7
2.2	operating and lighting instructions	8
3.0	clearances around appliance	9
4.0	maintenance	10
4.1	care of plated parts	11
4.2	screen kit / weather cover	11
5.0	replacement parts	12
6.0	accessories	12
7.0	troubleshooting	14
8.0	warranty	15
9.0	service history	16

Before reading this manual, be sure you know which model of appliance that you have. This information will have been filled out by the installer on the following page and on the rating plate that is permanently attached to the appliance (see “rating plate information” section).

This manual is for the:

- **RSS36 and RSS42 models**

If required, more detailed technical information is included in the appliance installation manual.

The information throughout this manual is believed to be correct at the time of printing. Wolf Steel Ltd. reserves the right to change or modify any information within this manual at any time without notice.

Visit the Napoleon website for the most current version of your appliance’s manual.

Changes, other than editorial, are denoted by a vertical line in the margin.



Batteries must be disposed of according to the local laws and regulations. Some batteries may be recycled, and may be accepted for disposal at your local recycling center. Check with your municipality for recycling instructions.

welcome congratulations!

Napoleon is proudly committed to your total home comfort. We are proud to say that our products continuously surpass industry standards and our inspiration is you! More than anything, we want you to feel confident in choosing Napoleon for your home. Our products are designed to provide that confidence and ensure that every Napoleon product is beyond compare.

Napoleon products are designed with superior components and materials assembled by trained craftsmen who take great pride in their work.

A barrier designed to reduce the risk of burns from the hot viewing glass is provided with the appliance for your safety. **This barrier must be installed.**

Your Napoleon appliance has been thoroughly inspected by a qualified technician before packaging to ensure that you, the customer, receives the quality product that you expect from Napoleon.

Dealer : Fill in your dealer information (or business card) and the appliance installation information below.

Dealer Information

Name of Dealer: _____

Dealer Location: _____

Dealer Phone: _____

Dealer E-mail: _____

Customer: _____

Customer Address: _____

Date of Installation: _____

Location of the appliance: _____

Installer: _____

Dealer: Business card location

Serial Number: _____

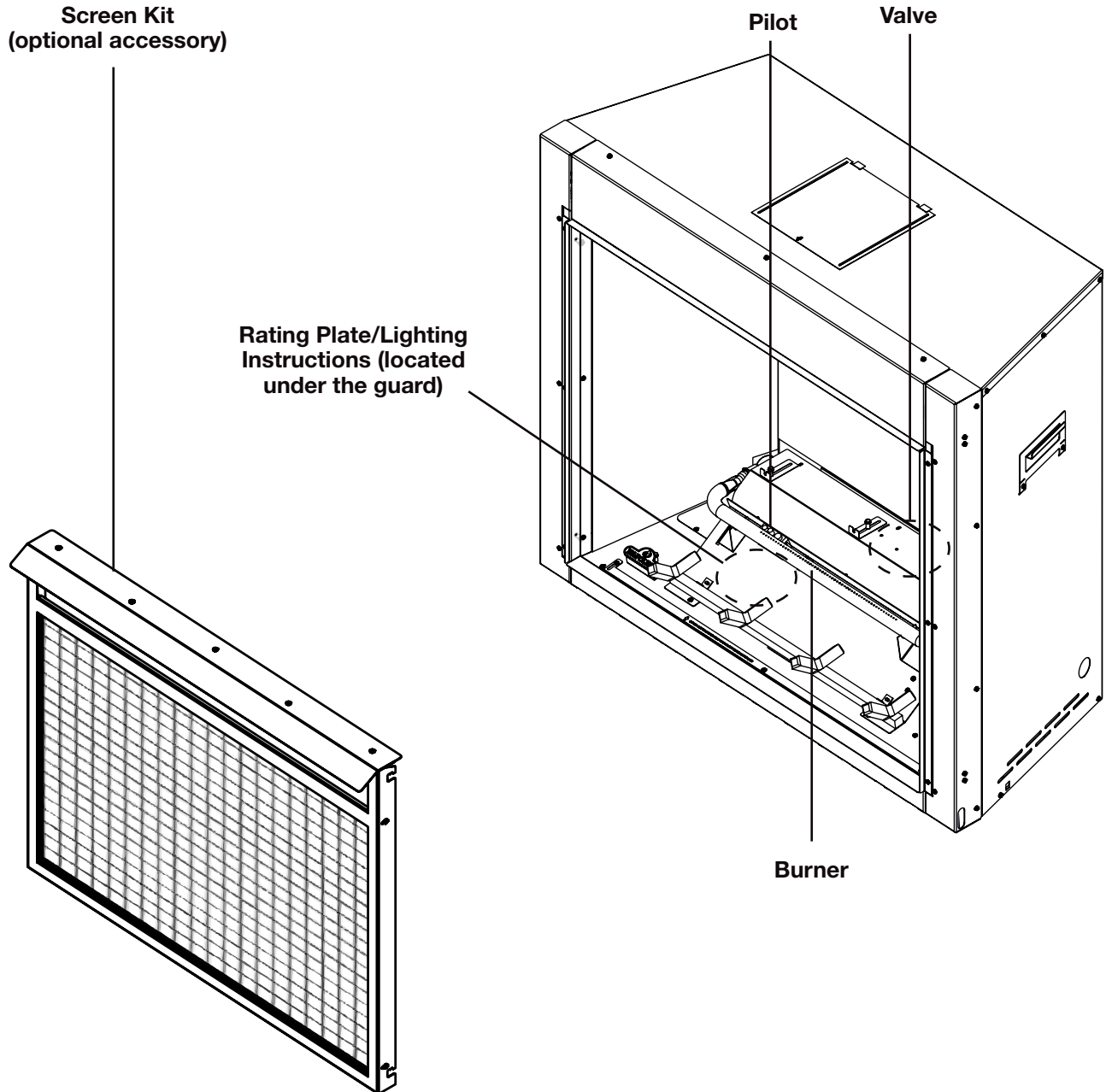
Model:

Natural Gas: RSS36NE
 RSS42NE

Propane: RSS36PE
 RSS42PE

1.0 getting to know your appliance EN

The area above the appliance opening including the surface of the wall can get very hot during operation and should never be touched until the appliance is off and completely cooled.



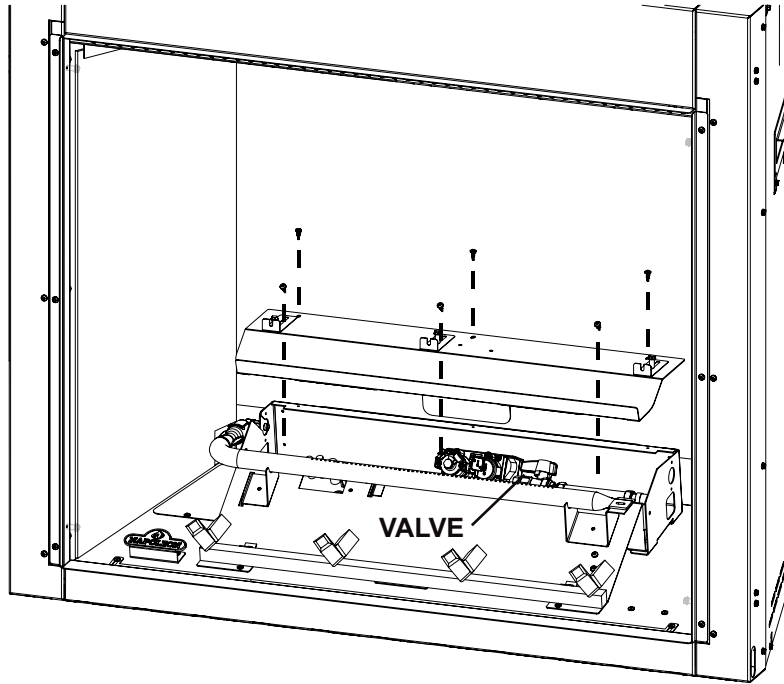
note:

Some features and locations may vary depending on the model.

getting to know your appliance

1.1 control access

To access the valve, remove the cover that is held in place by six screws.



1.2 rating plate information

This illustration is for reference only. Refer to the rating plate on the appliance for accurate information.

Certified to Canadian and American National Standards: **CSA 2.22-XXXX / ANSI Z21.50-XXXX for Vented Decorative Gas Appliances**
 Certifié selon les normes Nationales Canadiennes et Américaines: **CSA 2.22-XXXX / ANSI Z21.50-XXXX pour les Appareils à gaz décoratif à évacuation**

Direct vent, vented gas fireplaces. Approved for bedroom, bathroom and bed-sitting room installation. Suitable for mobile home installation, if installed in accordance with the current standard CAN / CSA Z240MH Series gas equipped mobile homes in Canada, or, in the United States, the *Manufactured Home Construction and Safety Standard, Title 24 CFR, Part 3280*. When this US Standard is not applicable, use the *Standard for Fire Safety Criteria for Manufactured Home Installations, Sites and Communities, ANSI / NFPA 501A*. This appliance must be installed in accordance with local codes, if any; if none, follow the current ANSI Z223.1 or CSA B149. **For use with barrier WXXX-XXXX. Follow installation instructions.**

Foyer à gaz ventilé. Homologué pour installation dans une chambre à coucher, une salle de bain et un studio. Appropriate pour installation dans une maison mobile si son installation conforme aux exigences de la norme CAN / CSA Z240MH Séries de maisons mobile équipées au gaz en vigueur au Canada, ou, aux États-Unis selon la norme 24 CFR, Part 3280 *Manufactured Home Construction and Safety Standard*. Dans le cas où cette norme d'États-Unis n'est pas pertinente, utiliser la norme NFPA 501A, *Fire Safety Criteria for Manufactured Home Installations, Sites and Communities*. Installer l'appareil selon les codes ou règlements locaux ou, en l'absence de tels règlements, selon les codes d'installation ANSI Z223.1 ou CSA B149 en vigueur. **Utiliser uniquement avec l'écran WXXX-XXXX. Suivre les instructions d'installation.**

9700539 (WSL) 4001658 (NAC) 4001657 (NGZ) 4001659 (WUSA)

MODEL / MODÈLE

<input type="checkbox"/> XXXX	<input type="checkbox"/> XXXX	<input type="checkbox"/> XXXX	<input type="checkbox"/> XXXX
<input type="checkbox"/> XXXX	<input type="checkbox"/> XXXX	<input type="checkbox"/> XXXX	<input type="checkbox"/> XXXX

Altitude Input 0-XXXXft (0-XXXXm) Élévation Alimentation Réduite P4

Reduced Input P4 XX,XXX XX,XXX XX,XXX
 XX,XXX XX,XXX XX,XXX
 XX.X% XX.X%

Manifold Pressure: 3.5" w.c. (NG) **Manifold Pressure:** 10" w.c. (P)
Minimum Supply Pressure: 4.5" w.c. (NG) **Minimum Supply Pressure:** 11" w.c. (P)
Maximum Supply Pressure: 7" w.c. (NG) **Maximum Supply Pressure:** 13" w.c. (P)

Pression au Collecteur: 3.5" d'une colonne d'eau (GN) **Pression au Collecteur:** 10" d'une colonne d'eau (P)
Pression d'Alimentation Min.: 4.5" d'une colonne d'eau (GN) **Pression d'Alimentation Min.:** 11" d'une colonne d'eau (P)
Pression d'Alimentation Max.: 7" ** d'une colonne d'eau (GN) **Pression d'Alimentation Max.:** 13" ** d'une colonne d'eau (P)
 ** Maximum inlet pressure not to exceed 13". ** Pression d'alimentation maximale ne devait pas dépasser 13".


Minimum clearance to combustible materials: **Dégagements minimaux des matériaux combustibles:**
 Top, sides & back: per standoff spacers for framing and finishing materials. For non-combustible framing and finishing materials, see installation manual. Dessus, côtés et arrière: selon les espaces de dégagements pour les matériaux d'ossature selon le manuel du propriétaire pour les matériaux de finition.

Top X" Dessus X"
 Floor X" Plancher X"
 Sides X" Côtés X"
 Back X" Arrière X"

Vent top X" Dessus du conduit d'évent X"
 Vent sides & bottom X" Côtés et dessous du conduit d'évent X"
 Recessed depth X" Profondeur d'encastrement une face X"
 *** Mantel X" from appliance opening *** Tablette X" de l'ouverture de l'appareil
 *** Maximum horizontal extension: *** L'extension horizontale maximale: X"
 X". See installation manual for greater extensions, minimum vent lengths and maximum vent lengths. Référez au manuel d'installation pour des extensions plus grandes, les longueurs d'évacuation minimaux et maximums.

Electrical rating: 115V, 60Hz. Less than 12 amperes. Spécifications électriques: 115V, 60Hz. Moins de 12 ampères.

WOLF STEEL LTD. 24 Napoleon Road, Barrie, ON, L4M 0G8 Canada



REFERENCE# 161746

VENTED DECORATIVE GAS APPLIANCE: NOT A SOURCE OF HEAT, NOT INTENDED FOR USE AS A HEATING APPLIANCE, NOT FOR USE WITH SOLID FUEL.
APPAREIL À GAZ DÉCORATIF À ÉVACUATION: N'EST PAS UNE SOURCE DE CHALEUR; N'EST PAS DESTINÉ À ÊTRE UTILISÉ COMME UN APPAREIL DE CHAUFFAGE; NE CONVIENT PAS AUX COMBUSTIBLES SOLIDES.

FOR USE WITH GLASS DOORS CERTIFIED WITH THIS APPLIANCE ONLY. POUR UTILISATION UNIQUEMENT AVEC LES PORTES EN VERRE CERTIFIÉES AVEC L'APPAREIL.

For natural gas when equipped with No. XX drill size orifice.
 For propane when equipped with No. XX drill size orifice.
 Convient au gaz naturel quand l'appareil est muni d'un injecteur de diamètre no. XX.
 Convient au propane quand l'appareil est muni d'un injecteur de diamètre no. XX.

WARNING: Do not add any material to the appliance which will come in contact with the flames, other than that supplied by the manufacturer with the appliance.
AVERTISSEMENT: N'ajoutez pas à cet appareil aucun matériau devant entrer en contact avec les flammes autre que celui qui est fourni avec cet appareil par le fabricant.

The appliance must be vented using the appropriate Napoleon vent kits. See installation manual for venting specifications. Proper reinstallation and resealing is necessary after servicing the vent-air intake system.
 L'appareil doit être ventilé à l'aide de l'ensemble d'évacuation propre à Napoleon. Référez au manuel d'installation pour les spécifications d'évacuation. Il est nécessaire de bien réinstaller et resceller l'évacuation après avoir exécuté l'entretien du système de prise d'air.

Serial Number / N° de Série: XXXX

W385-XXXX

note:

The rating plate must remain with the appliance at all times. It must not be removed.

When operating your appliance for the first time, there is a required burn-in process that cures materials used to manufacture the appliance that may emit both vapors and an odor. These are normal when operating a new appliance for the first time. Ensure adequate air circulation is provided during burn-in process, if this was not completed by the installer during installation.

2.1 using your appliance

To turn the appliance on:

- A Turn the on/off switch on.
- B After 3-5 seconds, the control will start a spark at the pilot, light the pilot and then the burner. The spark period will last 60 seconds, or until the pilot has lit.
- C When used for the first time, if the burn-in process was not completed by the installer; run appliance continuously for 4 hours (burn-in).
- D Turn the appliance off.

For more detailed information, see your installation manual or contact your authorized dealer.

2.2 operating and lighting instructions

! WARNING

- If you do not follow these instructions exactly, a fire or explosion may result causing property damage, personal injury, or loss of life.
- If applicable, always light the pilot whether for the first time or if the gas supply has run out with the glass door opened or removed.

When lit for the first time, the appliance will emit an odor for a few hours. This is a normal temporary condition caused by the “burn-in” of paints and lubricants used in the manufacturing process and will not occur again. After extended periods of non-operation, such as, following a vacation or warm weather season, the appliance may emit a slight odor for a few hours. This is caused by dust particules in the heat exchanger burning off. In both cases, open a window to sufficiently ventilate the room.

FOR YOUR SAFETY READ BEFORE LIGHTING

- Do not turn on if children or other at risk individuals are near the appliance.
- This appliance is equipped with an ignition device which automatically lights the pilot. Do not try to light the pilot by hand.
- Before operating, smell all around the appliance area for gas and next to the floor because some gas is heavier than air and will settle on the floor.
- Do not use this appliance if any part has been under water. Immediately call a qualified service technician to inspect the appliance and replace any part of the control system and any gas control which has been underwater.

WHAT TO DO IF YOU SMELL GAS

- Turn off all gas to the appliance.
- Open windows.
- Do not try to light any appliance.
- Do not touch any electric switch; do not use any phone in your building
- Immediately call your gas supplier from a neighbour's phone. Follow the gas supplier's instructions.
- If you cannot reach your gas supplier, call the fire department.

LIGHTING INSTRUCTIONS

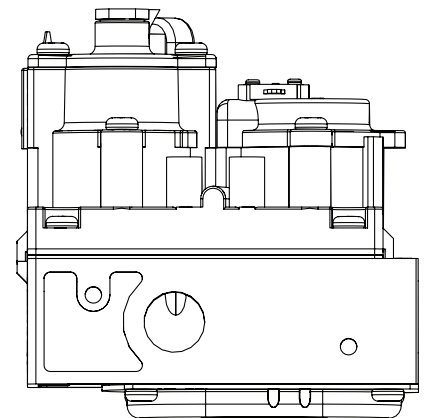
note:

This appliance is equipped with an ignition device which automatically lights the pilot. Do not try to light the pilot by hand.

- Stop! Read the above safety information on this label.
- Turn off all electrical power to the appliance.
- Remove screen assembly, if equipped.
- Turn the manual shut-off valve clockwise to the “OFF” position. (Shut-off valve is located on the flex connector).
- Wait five (5) minutes to clear out any gas. If you smell gas including near the floor, **STOP!** Follow the instructions above in the “WHAT TO DO IF YOU SMELL GAS” section. If you don't smell gas; close the glass door and go to the next step.
- Turn the manual shut-off valve counter clockwise to the “ON” position.
- Turn on all electrical power to the appliance.
- Turn on the wall switch to the appliance.
- If the appliance will not operate, follow instructions “TO TURN OFF GAS” and call your service technician or gas supplier.

TO TURN OFF GAS

- Turn off the wall switch to the appliance.
- Turn off all electric power to the appliance if service is to be performed.
- Turn manual shutoff valve clockwise to the “OFF” position. Do not force.



! WARNING

- Your appliance, gas/electrical connections, venting and various key components are hidden behind the wall. It is critical that no screws penetrate these components. Failure to follow instructions may cause improper operation, damage, personal injury or fire. Always use a stud finder and only screw into studs.

Without making adequate provisions to account for the heat, the temperatures above the appliance will be hot, making it unsuitable for mounting a TV or other objects sensitive to heat without risk of damage.

Installing a mantel between this appliance and electronics or other materials that may be sensitive to heat will reduce the effect of direct heat on them.

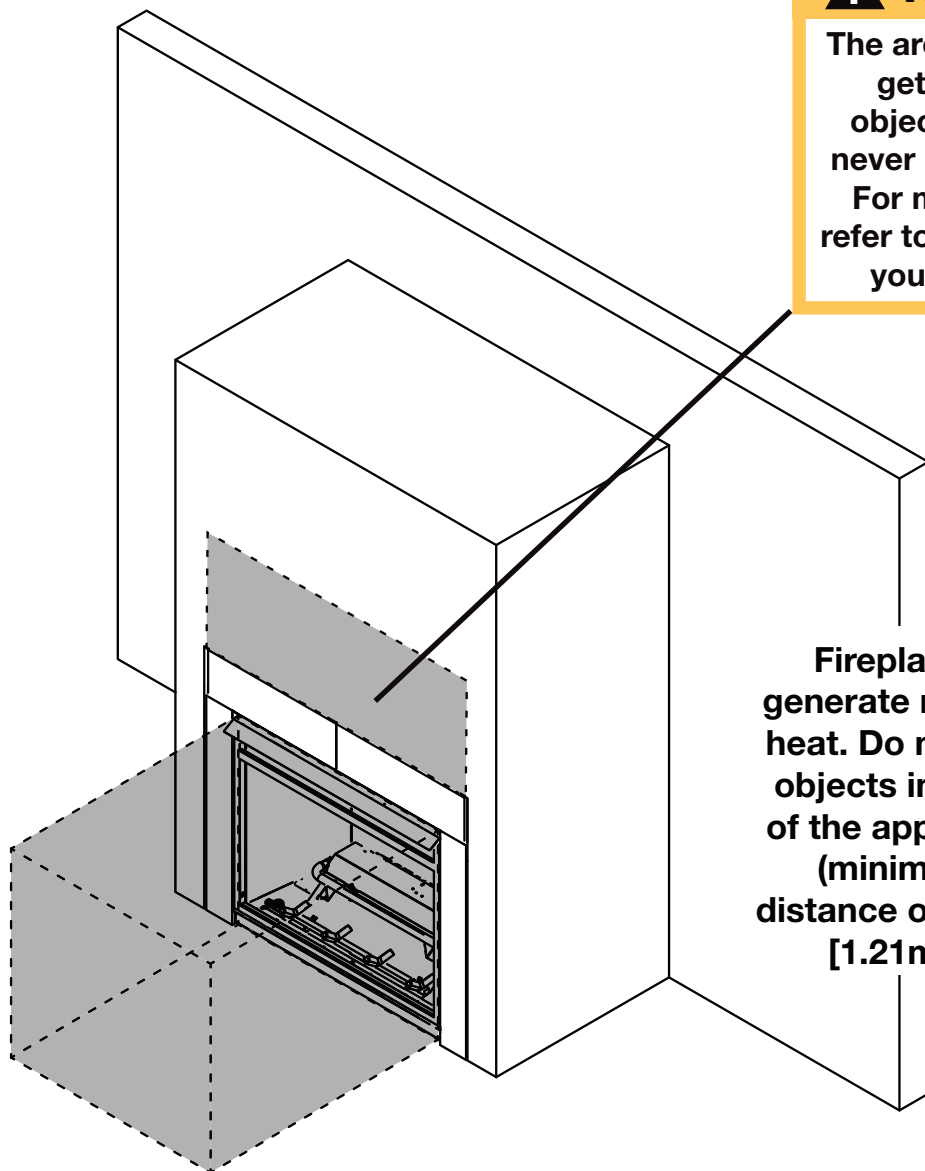
The size and material of the mantel will affect the allowable clearance above your appliance and incorrect placement could become a fire hazard. Consult your installation manual and/or authorized dealer for more information before mounting a mantel, a shelf or any other object above your appliance.

Your appliance, gas/electrical connections and vent are hidden directly behind the finished wall. Great care should be taken to avoid screwing or nailing into these components. Always use a stud finder to determine stud location and only screw into studs.

Do not screw into the area around the appliance opening as some of your appliance may be hidden behind the finished wall. Refer to your installation manual and/or contact your local dealer for more information.

! WARNING

The area above an appliance gets hot. Combustible objects or materials must never be placed in this area. For minimum clearances, refer to installation manual or your authorized dealer.



Fireplaces generate radiant heat. Do not put objects in front of the appliance (minimum distance of 4 feet [1.21m]).

WARNING

- Turn off the gas and electrical power before servicing the appliance.
- Appliance may be hot. Do not service until appliance has cooled.
- **For qualified technicians only:**
- Label all wires prior to disconnection when servicing controls. Wiring errors can cause improper and dangerous operation. Verify proper operation after servicing.
- This appliance and its venting system should be inspected before use and at least annually by a qualified service person.
- The flow of combustion and ventilation air must not be obstructed.

DOS

- Clean your screen assembly regularly to prevent the build up of excessive dirt/debris which can accumulate on outdoor appliances. Simply brush it off with a soft bristle brush or vacuum using the brush attachment.
- Service your appliance annually and/or as required. Service must be conducted by a qualified technician.
- Keep your appliance area clear and free of combustible materials, gasoline, or other flammable vapors and liquids.
- Check to see that the burner ignites completely on all openings when turned on. A 5 to 10 second total light-up period is satisfactory. Service as required.

DON'TS

- Attempt to service the electrical or gas components. Contact a qualified technician.
- Use excessive force.
- Paint the pilot assembly.
- Place objects too close to the appliance opening.

note:

For any questions and/or concerns regarding your appliance, maintenance and service, please contact your authorized dealer.

4.1 care of plated parts

If the appliance is equipped with plated parts, you must clean fingerprints or other marks from the plated surfaces before operating the appliance for the first time. Use an ammonia-free or vinegar-based cleaner and a towel to clean. If not cleaned properly before operating for the first time, the marks can cause permanent blemishes on the plating. After the plating is cured, the fingerprints and oils will not affect the finish and little maintenance is required, just wipe clean as needed. Prolonged high temperature burning with the door ajar may cause discolouration on plated parts.

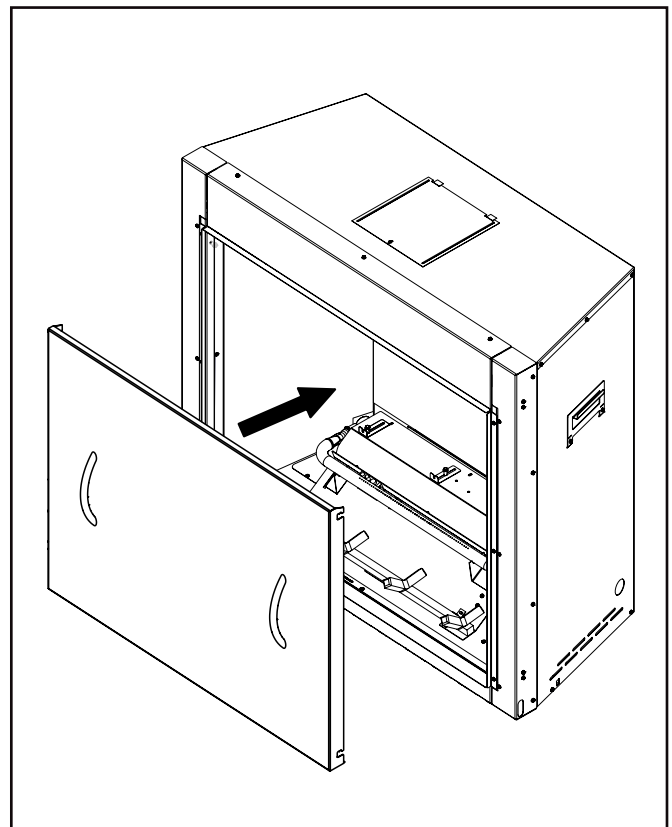
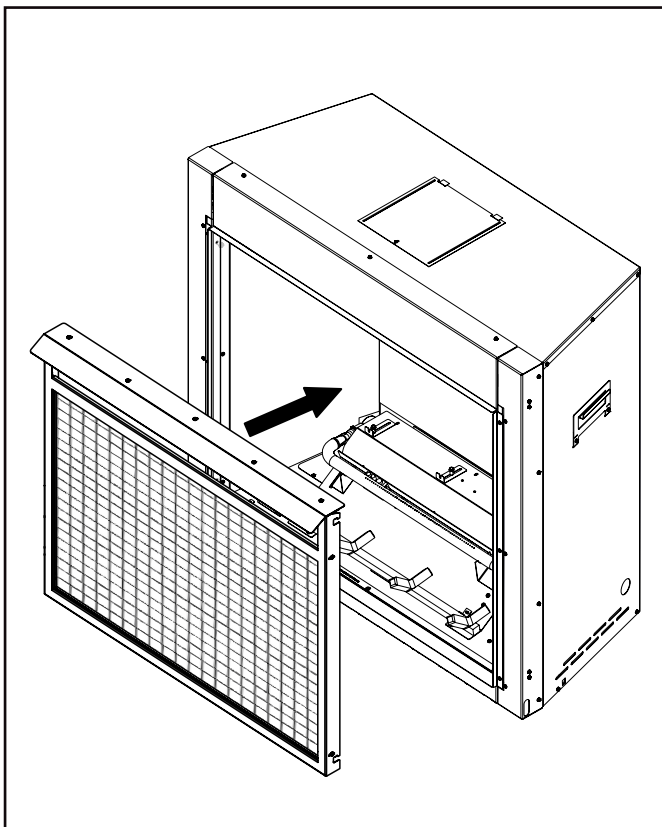
note:

The protective wrap on plated parts is best removed when the assembly is at room temperature but this can be improved if the assembly is warmed (i.e. using a hair dryer or similar heat source).

4.2 screen kit / weather cover

A screen kit designed to prevent dirt and debris from accumulating in the fireplace is an option for this appliance. Slot cover must be open.

A weather cover designed to protect the interior of the fireplace from the elements when not in use is an option for this appliance.



5.0 replacement parts

WARNING

- Failure to position the parts in accordance with this manual or failure to use only parts specifically approved with this appliance may result in property damage or personal injury.

Contact your dealer for questions concerning prices and policies on replacement parts. Normally, all parts can be ordered through your Authorized dealer / distributor.

For warranty replacement parts, a photocopy of the original invoice will be required to honour the claim.

When ordering replacement parts always give the following information:

- Model & Serial Number of appliance
- Installation date of appliance
- Part number
- Description of part
- Finish

Parts, part numbers, and availability are subject to change without notice.

Parts identified as stocked will be delivered within 2 to 5 business days for most delivery destinations.

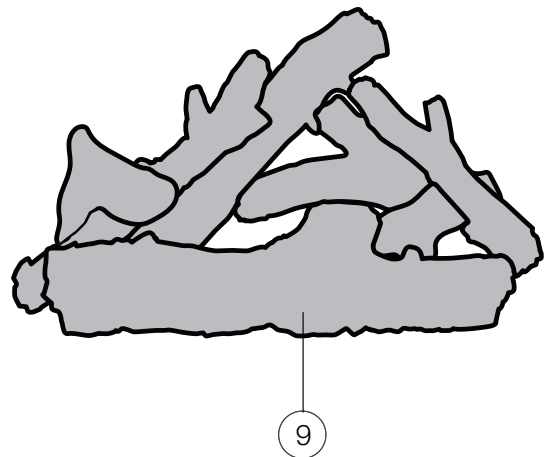
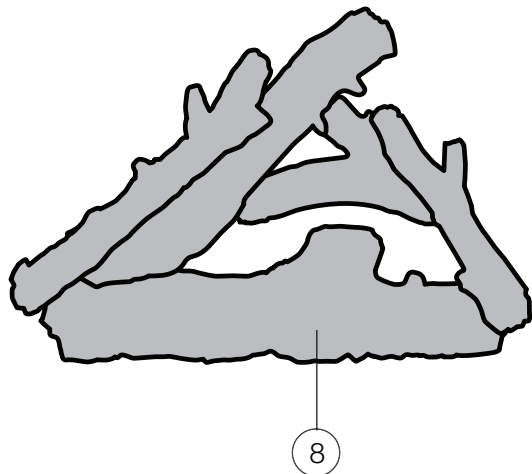
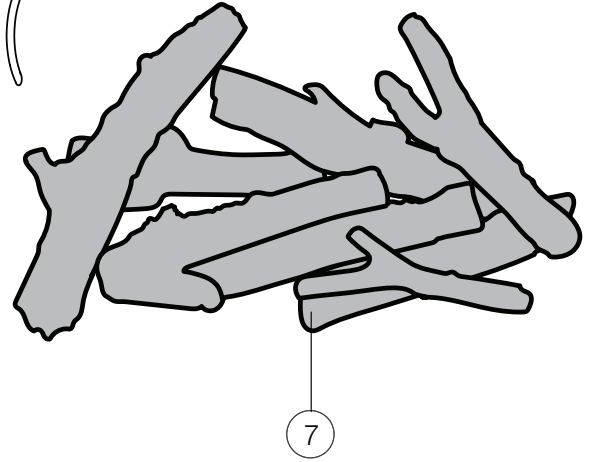
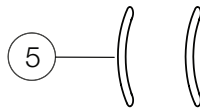
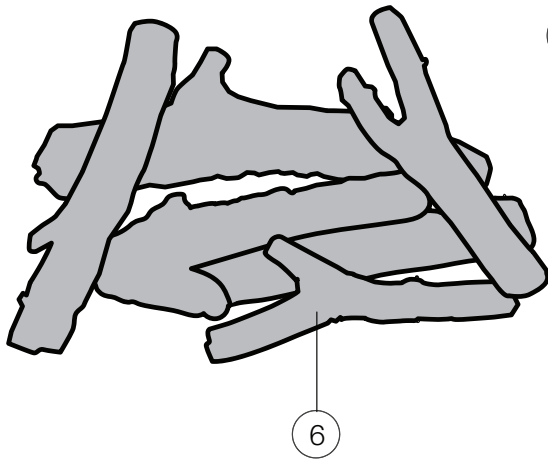
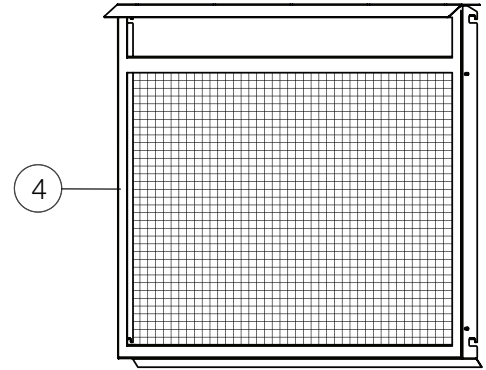
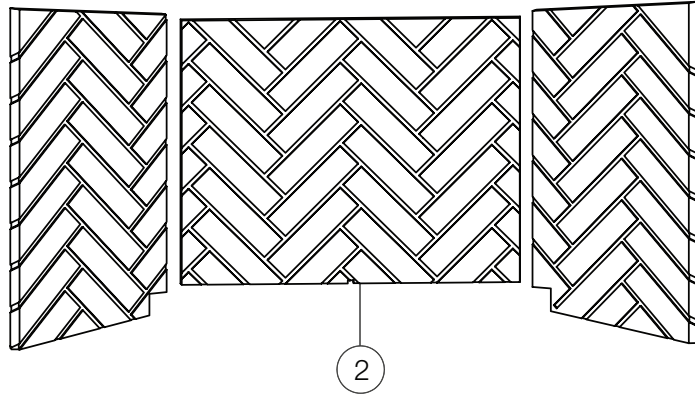
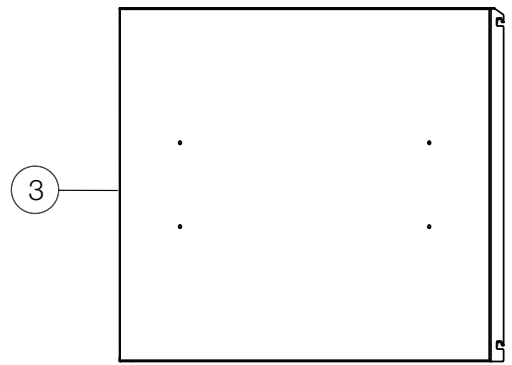
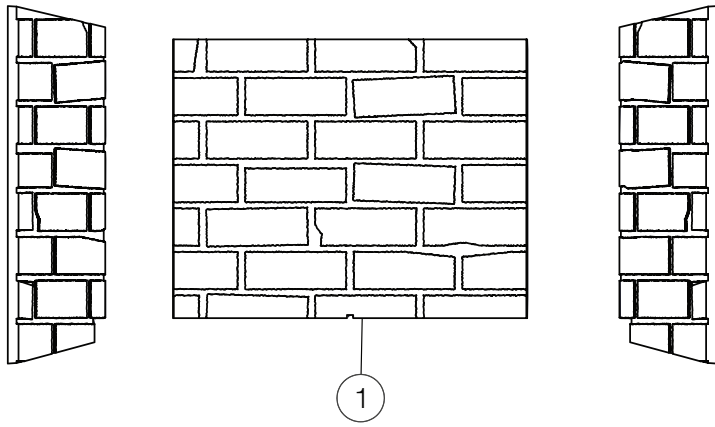
Parts not identified as stocked will be delivered within a 2 to 4 week period, for most cases.

Parts identified as 'SO' are special order and can take up to 90 days for delivery.

Consult your installation manual for replacement parts.

6.0 accessories

Ref.	Part	Description	Stock
1	DBPRS36NS	Decorative Brick Panel Newport (RSS36)	
	DBPRS36WH	Decorative Brick Panel Westminster (RSS36)	
2	DBPRS42NS	Decorative Brick Panel Newport (RSS42)	
	DBPRS42WH	Decorative Brick Panel Westminster (RSS42)	
3	RSS36WC	Stainless Steel Weather Cover (RSS36)	
	RSS42WC	Stainless Steel Weather Cover (RSS42)	
4	RSS36SK	Screen Kit (RSS36)	
	RSS42SK	Screen Kit (RSS42)	
5	N325-0049-SER	Door Handle	Yes
6	BLKRS36	Birch Log Kit (RSS36)	
7	BLKRS42	Birch Log Kit (RSS42)	
8	OLKRS36	Oak Log Kit (RSS36)	
9	OLKRS42	Oak Log Kit (RSS42)	



7.0 troubleshooting

symptom	problem	test solution
Pilot will not light. Makes noise with no spark at pilot burner.	Wiring: short, loose, or damaged connections (poor flame rectification).	- Contact a qualified technician.
	Improper switch wiring.	- Contact a qualified technician.
Pilot sparks but will not light.	Gas supply.	- Contact a qualified technician.
	Out of propane gas.	- Fill the tank.
Flame is blue, lazy, transparent flame.	Blockage in vent.	- Remove blockage. In really cold conditions, ice buildup may occur on the terminal and should be removed as required.
Appliance won't perform any functions.	No power to the system.	- Check breaker to verify it's in the "on" position.

Napoleon products are manufactured under the strict Standard of the world recognized ISO 9001 : 2015 Quality Management System.

Napoleon products are designed with superior components and materials assembled by trained craftsmen who take great pride in their work. The burner and valve assembly are leak and test-fired at a quality test station. The complete appliance is again thoroughly inspected by a qualified technician before packaging to ensure that you, the customer, receive the quality product that you expect from Napoleon.

Napoleon Gas Appliance President's Lifetime Limited Warranty

The following materials and workmanship in your new Napoleon gas appliance are warranted against defects for as long as you own the appliance. This covers: combustion chamber, heat exchanger, stainless / steel burner, Phazer™ logs and embers, rocks, ceramic glass (thermal breakage only), gold plated parts against tarnishing, porcelainized enameled components and aluminum extrusion trims.*

Electrical (110V and millivolt) components and wearable parts are covered and Napoleon will provide replacement parts free of charge during the first year of the limited warranty. This covers: blowers, gas valves, thermal switches, switches, wiring, remote controls, ignitors, gaskets and pilot assemblies.*

Labour related to warranty repair is covered free of charge during the first year (labour warranty is not applicable for the Gas Log Sets). Repair work, however, requires the prior approval of an authorized company official. Labour costs to the account of Napoleon are based on a predetermined rate schedule and any repair work must be done through an authorized Napoleon dealer.

* Construction of models vary. Warranty applies only to components included with your specific appliance.

Conditions and Limitations

Napoleon warrants its products against manufacturing defects to the original purchaser only. Registering your warranty is not necessary. Simply provide your proof of purchase along with the model and serial number to make a warranty claim. Napoleon reserves the right to have its representative inspect any product or part thereof prior to honouring any warranty claim. Provided that the purchase was made through an authorized Napoleon dealer your appliance is subject to the following conditions and limitations:

Warranty coverage begins on the date of original installation. This factory warranty is non-transferable and may not be extended whatsoever by any of our representatives. The gas appliance must be installed by a licensed, authorized service technician or contractor qualified and authorized installer, service agency or supplier. Installation must be done in accordance with the installation instructions included with the product and all local and national building and fire codes. This limited warranty does not cover damages caused by misuse, lack of maintenance, accident, alterations, abuse or neglect, and parts installed from other manufacturers will nullify this warranty. This limited warranty further does not cover any scratches, dents, corrosion or discoloring caused by excessive heat, abrasive and chemical cleaners nor chipping on porcelain enamel parts, mechanical breakage of Phazer™ logs and embers. This warranty extends to the repair or replacement of warranted parts which are defective in material or workmanship provided that the product has been operated in accordance with the operation instructions and under normal conditions. After the first year, with respect to this President's Lifetime Limited Warranty, Napoleon may, at its discretion, fully discharge all obligations with respect to this warranty by refunding to the original warranted purchaser the wholesale price of any warranted but defective part(s).

After the first year, Napoleon will not be responsible for installation, labour, or any other expenses related to the reinstallation of a warranted part and such expenses are not covered by this warranty. Notwithstanding any provisions contained in the President's Lifetime Limited Warranty, Napoleon's responsibility under this warranty is defined as above and it shall not in any event extend to any incidental, consequential or indirect damages. This warranty defines the obligations and liability of Napoleon with respect to the Napoleon gas appliance and any other warranties expressed or implied with respect to this product, its components or accessories are excluded. Napoleon neither assumes, nor authorizes any third party to assume, on its behalf, any other liabilities with respect to the sale of this product. Napoleon will not be responsible for: over-firing, downdrafts, spillage caused by environmental conditions such as rooftops, buildings, nearby trees, hills, mountains, inadequate vents or ventilation, excessive venting configurations, insufficient makeup air, or negative air pressures which may or may not be caused by mechanical systems such as exhaust fans, furnaces, clothes dryers, etc. Any damages to the appliance, combustion chamber, heat exchanger, plated trim or other components due to water, weather damage, long periods of dampness, condensation, damaging chemicals or cleaners will not be the responsibility of Napoleon.

During the first 10 years Napoleon will replace or repair the defective parts covered by the lifetime warranty at our discretion free of charge. From 10 years to life, Napoleon will provide replacement parts at 50% of the current retail price. The manufacturer may require that defective parts or products be returned or that digital pictures be provided to support the claim. Returned products are to be shipped prepaid to the manufacturer for investigation. If a product is found to be defective, the manufacturer will repair or replace such defect. Before shipping your appliance or defective components, your dealer must obtain an authorization number. Any merchandise shipped without authorization will be refused and returned to sender. Shipping costs are not covered under this warranty. Additional service fees may apply if you are seeking warranty service from a dealer. Warranty labour allowance is only for the replacement of the warranted part. Travel, diagnostic tests, shipping and other related charges are not covered by this warranty.

All specifications and designed are subject to change without prior notice due to on-going product improvements. Napoleon is a registered trademark of Wolf Steel Ltd.

9.0 service history

Appliance Service History This appliance must be serviced annually depending on usage.				
Date	Dealer Name	Service Technician Name	Service Performed	Special Concerns

Lined writing area with horizontal lines for notes.

NAPOLEON CELEBRATING OVER 40 YEARS OF HOME COMFORT PRODUCTS



7200, Route Transcanadienne, Montréal, Québec H4T 1A3
24 Napoleon Road, Barrie, Ontario, Canada L4M 0G8
214 Bayview Drive, Barrie, Ontario, Canada L4N 4Y8
103 Miller Drive, Crittenden, Kentucky, USA 41030
De Riemsdijk 22, 4004 LC Tiel, The Netherlands

Phone: 1-866-820-8686
napoleon.com



MANUEL DU PROPRIÉTAIRE

Série Riverside^{MD}
(RSS36_ illustré)



Pour usage extérieur seulement

CONSIGNES DE SÉCURITÉ

⚠ AVERTISSEMENT

RISQUE D'INCENDIE OU D'EXPLOSION

Incapacité à suivre ces avertissements exactement peuvent entraîner de grave blessures, des pertes de vie ou des dommages matériels.

- N'entreposez pas et n'utilisez pas d'essence ou autres liquides et vapeurs inflammables à proximité de cet appareil ou tout autre appareil.

- QUE FAIRE SI VOUS DÉTECTEZ UN ODEUR DE GAZ:

- N'allumez aucun appareil.
- Ne touchez à aucun téléphone dans votre immeuble.
- Appelez immédiatement votre fournisseur de gaz d'un téléphone dans l'immeuble de votre voisin. Suivez les instructions du fournisseur de gaz.
- Si vous ne pouvez pas rejoindre votre fournisseur de gaz, appelez le service des incendies.

- L'installation et l'entretien doivent être faits par un installateur qualifié, une agence d'entretien ou le fournisseur.



consignes de sécurité

FR

AVERTISSEMENT

- Cet appareil est chaud lorsqu'il fonctionne et peut causer de graves brûlures en cas de contact.
- Toute modification apportée à cet appareil ou aux contrôles peut être dangereuse et est interdite.
- Ne faites pas fonctionner l'appareil avant d'avoir lu et compris les instructions d'opération. Omettre d'utiliser l'appareil selon les instructions d'opération pourrait causer un incendie ou des blessures.
- Risque d'incendie ou d'asphyxie. Ne faites pas fonctionner l'appareil avec la vitre retirée.
- Ne branchez pas la soupape à du courant 110 volts.
- Risque de brûlures. L'appareil doit être éteint et refroidi avant d'effectuer un entretien.
- N'installez pas de composants endommagés ou incomplets ni des composants substitués.
- Risque de coupures et d'éraflures. Portez des gants protecteurs et des lunettes de sécurité lors de l'installation. Les bordures des pièces de métal peuvent être coupantes.
- Les enfants et les adultes devraient être informés des dangers que posent les températures de surface élevées et se tenir à distance afin d'éviter des brûlures ou que leurs vêtements ne s'enflamment.
- Les jeunes enfants doivent être surveillés attentivement lorsqu'ils sont dans la même pièce que l'appareil. Les jeunes enfants et autres personnes à risque sont sujets aux brûlures accidentelles. Une barrière de protection est recommandée si des individus à risque se trouvent dans la maison. Afin de restreindre l'accès à l'appareil, installez une barrière de protection ajustable pour garder les jeunes enfants ou autres personnes à risque hors de la pièce et loin des surfaces chaudes.
- Les vêtements et autres matériaux combustibles ne doivent pas être posés sur l'appareil ou à proximité.
- En raison des températures élevées, l'appareil devrait être placé loin des endroits passants et loin des meubles et des rideaux.
- Assurez-vous de disposer de mesures de sécurité adéquates pour empêcher les jeunes enfants de toucher aux surfaces chaudes.
- Même une fois que l'appareil est éteint, la vitre et/ou le pare-étincelles demeureront chauds pendant un temps prolongé.
- Consultez votre détaillant local de foyer pour connaître les grillages de sécurité et les écrans offerts pour protéger les enfants des surfaces chaudes. Ces grillages de sécurité et ces écrans doivent être fixés au plancher.
- Tout grillage de sécurité, écrans ou barrières enlevés pour faire l'entretien devront être remis en place avant d'utiliser l'appareil.
- Cet appareil est un appareil à gaz ventilé. Ne brûlez pas de bois ou autres matériaux dans cet appareil.
- L'emplacement de l'appareil doit être gardé libre de tous matériaux combustibles, essence ou d'autres liquides et vapeurs inflammables.
- N'utilisez pas cet appareil si une partie quelconque a été submergée. Contactez immédiatement un technicien de service qualifié pour inspecter l'appareil et pour remplacer toute pièce du système de contrôle et du contrôle du gaz qui aurait été submergée.
- Ne pas opérer l'appareil lorsque la porte vitrée est enlevée, fissurée ou brisée. Le remplacement de la vitre devra être effectué par un technicien de service certifié ou qualifié.
- Ne frappez pas et ne claquez pas la porte vitrée de l'appareil.
- Lorsqu'il est équipé avec les portes d'évacuation de pression, les portes doivent demeurer fermées pendant le fonctionnement de l'appareil afin d'empêcher les gaz de combustion contenant du monoxyde de carbone de s'infiltrer dans la maison. La température des gaz de combustion s'échappant par ces ouvertures peut aussi causer les matériaux combustibles avoisinants à surchauffer et à prendre feu.
- Seules les portes/façades certifiées pour cet appareil peuvent être utilisées avec cet appareil.
- Gardez les matériaux d'emballage hors de la portée des enfants et mettez ces matériaux au rebut de façon sécuritaire. Comme tous les emballages de plastique, ces matériaux ne sont pas des jouets et doivent demeurer hors la portée des enfants et des bébés.
- Comme dans le cas de tout appareil à combustion, il est recommandé de faire inspecter et entretenir votre appareil régulièrement. De même, installez un détecteur de monoxyde de carbone dans la pièce pour vous protéger, ainsi que votre famille, contre les intoxications.
- Assurez-vous de respecter les dégagements aux matériaux combustibles lorsque vous installez un manteau ou des tablettes au-dessus de l'appareil. Les températures élevées sur le mur ou de l'air au-dessus de l'appareil peuvent faire fondre, décolorer ou endommager les décorations, les téléviseurs ou autres composants électroniques.
- Une barrière conçue à réduire le risque de brûlures causées par le verre chaud est fournie avec l'appareil et sera installée.
- Si la barrière est endommagée, elle devra être remplacée par la barrière conçue par le fabricant pour cet appareil.
- L'installation et la réparation devraient être effectuées par un technicien qualifié. L'appareil et son système d'évacuation devraient être inspectés avant l'utilisation initiale et au moins une fois l'an par un professionnel qualifié. Un nettoyage plus fréquent peut être requis en raison de la poussière excessive laissée par les moquettes, les couvertures, etc. Il est impératif que les compartiments de contrôle, le brûleur et les passages de circulation d'air soient gardés propres afin de fournir une combustion et une circulation d'air adéquates.

 **AVERTISSEMENT:** Ce produit peut vous exposer à des substances chimiques incluant le plomb et les composés de plomb qui, selon l'État de Californie, causeraient le cancer, et des substances chimiques incluant le monoxyde de carbone qui, selon l'État de Californie, causeraient des malformations congénitales ou autres dangers pour la reproduction. Pour de plus amples renseignements, visitez le www.P65Warnings.ca.gov.

1.0	apprendre à connaître votre appareil	25
1.1	accès aux contrôles	26
1.2	information à propos de la plaque d'homologation	26
2.0	faite fonctionner votre appareil	27
2.1	utilisation de votre appareil	27
2.2	instructions d'opération et d'allumage	28
3.0	dégagements autour de l'appareil	29
4.0	entretien	30
4.1	soins des pièces plaquées	31
4.2	kit écran / protection contre les intempéries	31
5.0	pièces de rechange	32
6.0	accessoires	32
7.0	guide de dépannage	34
8.0	garantie	35
9.0	historique d'entretien	36

Avant de lire ce manuel, assurez-vous de que savoir quel modèle vous avez. Ces informations vont ont été remplies sur la page suivant et sur la plaque signalétique qui est fixée en permanence à l'appareil (voir la section « apprendre à connaître votre appareil »).

Ce manuel s'adresse aux

- modèles **RSS36** et **RSS42**

Si nécessaire, plus d'information technical est inclus dans le manuel d'installation de votre appareil.

L'information tout au long de ce manuel est censée être correctes au moment de l'impression. Wolf Steel Ltée. se réserve le droit de changer ou modifier toute information dans ce manuel à tout moment sans préavis.

Visitez le site web de Napoléon pour la version le plus récent de votre manuel.

Les changements, autres que de nature éditoriale, sont dénoté par une ligne verticale dans la marge.



Les piles doivent être mises au rebut conformément aux lois et à la réglementation locales. Certaines piles peuvent être recyclées et acceptées dans votre centre de recyclage local. Renseignez-vous auprès de votre municipalité au sujet des directives de recyclage.

bienvenue félicitations!

FR

Napoléon tient fièrement à votre confort domestique. Nous sommes fiers de dire que nos produits continuellement surpassent les normes de l'industrie et notre source d'inspiration c'est vous! Plus que tout, nous voulons vous faire sentir confiant dans le choix de Napoléon pour votre maison. Nos produits sont conçus pour fournir cette confiance et s'assurer que chaque produit de Napoléon est incomparable.

Les produits Napoléon sont conçus avec des composants et des matériaux de qualité supérieure, assemblés par des artisans qualifié qui sont fiers de leur travail.

Une barrière conçu à réduire le risque de brûlures à partir de la vitre chaud est à condition que avec l'appareil et **doit être installés.**

Votre appareil de Napoléon a été soigneusement inspecté par un technicien qualifié avant d'être emballé pour garantir que vous, le client, recevez le produit de qualité dont vous vous attendez de Napoléon.

Détaillant: Renseignez votre information (ou carte de visite) et l'information de l'installation de l'appareil ci-dessous.

Information du Détaillant

Nom du détaillant: _____

Location du détaillant: _____

Téléphone du détaillant: _____

E-mail du détaillant: _____

Client: _____

Adresse du Client: _____

Date d'Installation: _____

Location de l'appareil: _____

Installateur: _____

**Détaillant: Location du Carte de
Visite**

N° de série: _____

Modèle:

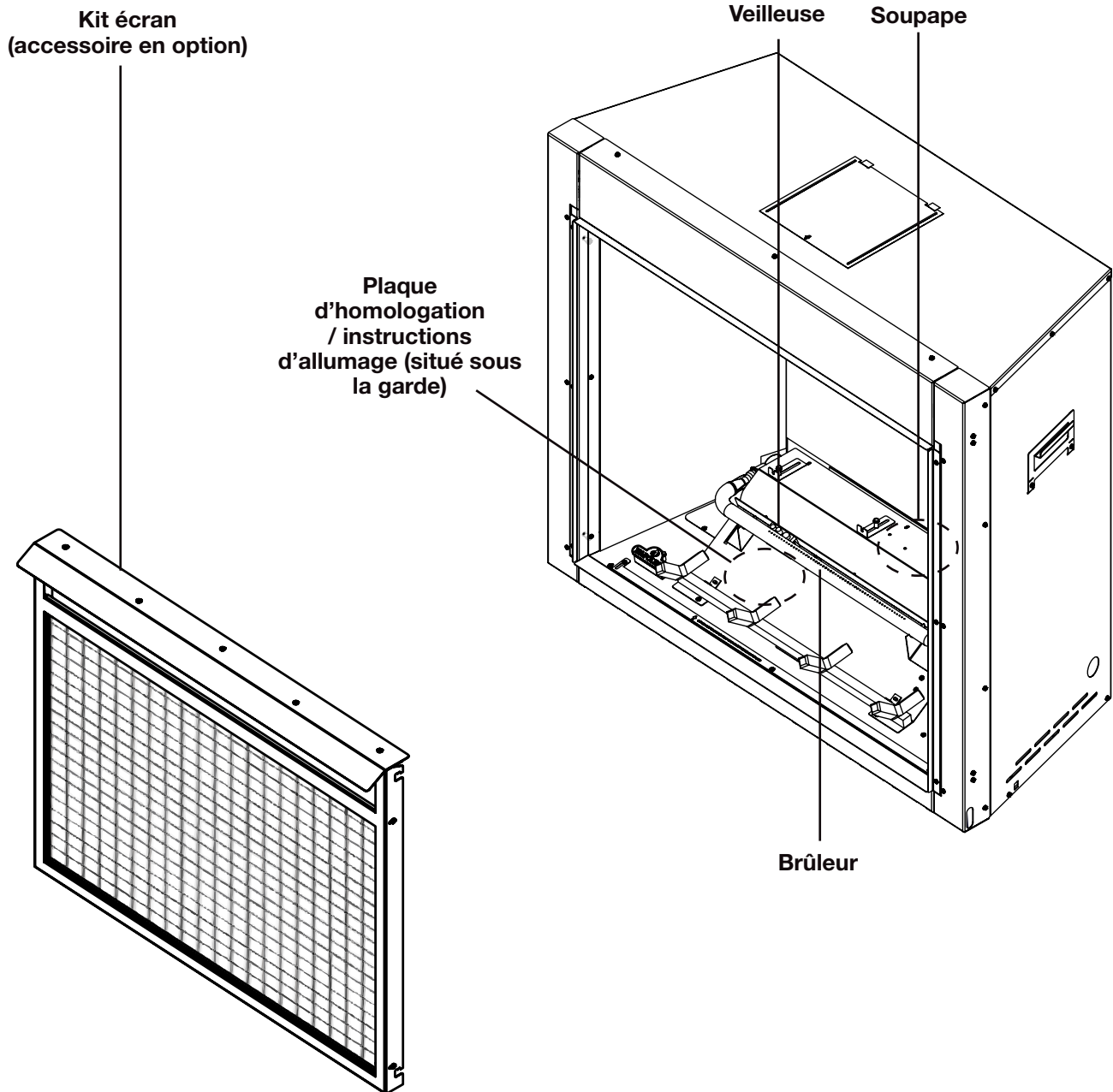
Gaz Naturel: RSS36NE
 RSS42NE

Propane: RSS36PE
 RSS42PE

1.0 apprendre à connaître votre appareil

FR

La zone située au-dessus de l'ouverture de la cheminée incluant la surface du mur pouvoir devenir très chaud durant l'opération et ne pas être touché tant que l'appareil est éteint est complètement refroidi.



note:

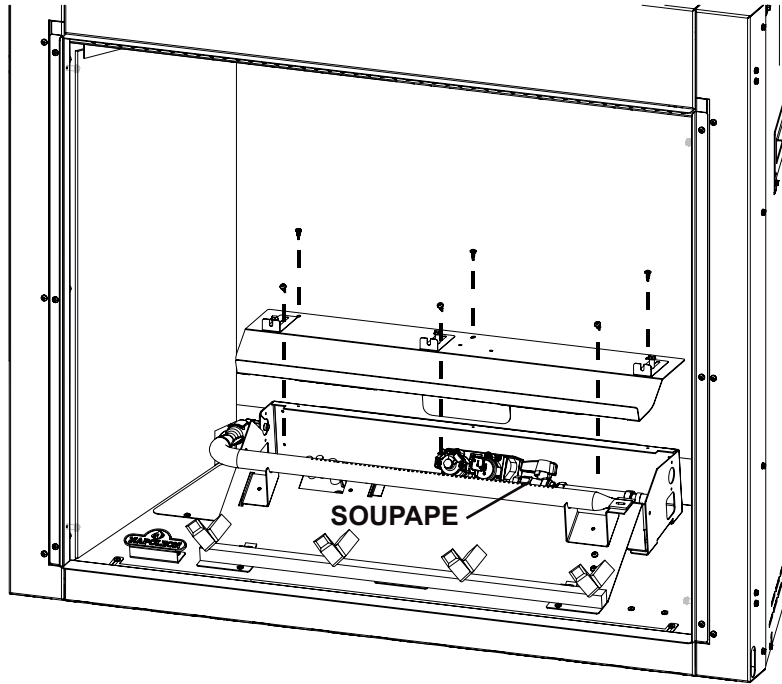
Quelque caractéristiques et locations peuvent varier dépendant de votre appareil.

apprendre à connaître votre appareil

FR


1.1 accès aux contrôles

Pour accéder à la valve, retirez le couvercle qui est maintenu en place par six vis.



1.2 information à propos de la plaque d'homologation

Cette illustration est fournie à titre de référence seulement. Pour les renseignements exacts, consultez la plaque d'homologation fixée sur l'appareil.

Certified to Canadian and American National Standards: CSA 2.22-XXXX / ANSI Z21.50-XXXX for Vented Decorative Gas Appliances				 REFERENCE# 161746
Certifié selon les normes Nationales Canadiennes et Américaines: CSA 2.22-XXXX / ANSI Z21.50-XXXX pour les Appareils à gaz décoratif à évacuation				
Direct vent, vented gas fireplaces. Approved for bedroom, bathroom and bed-sitting room installation. Suitable for mobile home installation, if installed in accordance with the current standard CAN / CSA Z240MH Series gas equipped mobile homes in Canada, or, in the United States, the <i>Manufactured Home Construction and Safety Standard, Title 24 CFR, Part 3280</i> . When this US Standard is not applicable, use the <i>Standard for Fire Safety Criteria for Manufactured Home Installations, Sites and Communities, ANSI/NFPA 501A</i> . This appliance must be installed in accordance with local codes, if any; if none, follow the current ANSI Z223.1 or CSA B149. For use with barrier WXXX-XXXX. Follow installation instructions.				
Foyer à gaz ventilé. Homologué pour installation dans une chambre à coucher, une salle de bain et un studio. Approuvé pour installation dans une maison mobile si son installation conforme aux exigences de la norme CAN / CSA Z240MH Série de maisons mobile équipées au gaz en vigueur au Canada, ou, aux États-Unis selon la norme <i>24 CFR, Part 3280, Manufactured Home Construction and Safety Standard</i> . Dans le cas où cette norme d'États-Unis n'est pas pertinente, utiliser la norme <i>NFPA 501A, Fire Safety Criteria for Manufactured Home Installations, Sites and Communities</i> . Installer l'appareil selon les codes ou règlements locaux ou, en l'absence de tels règlements, selon les codes d'installation ANSI Z223.1 ou CSA B149 en vigueur. Utiliser uniquement avec l'écran WXXX-XXXX. Suivre les instructions d'installation.				
<input type="checkbox"/> 9700539 (WSL)	<input type="checkbox"/> 4001658 (NAC)	<input type="checkbox"/> 4001657 (NGZ)	<input type="checkbox"/> 4001659 (WUSA)	VENTED DECORATIVE GAS APPLIANCE: NOT A SOURCE OF HEAT, NOT INTENDED FOR USE AS A HEATING APPLIANCE, NOT FOR USE WITH SOLID FUEL. APPAREIL À GAZ DÉCORATIF À ÉVACUATION: N'EST PAS UNE SOURCE DE CHALEUR; N'EST PAS DESTINÉ À ÊTRE UTILISÉ COMME UN APPAREIL DE CHAUFFAGE; NE CONVIENT PAS AUX COMBUSTIBLES SOLIDES. FOR USE WITH GLASS DOORS CERTIFIED WITH THIS APPLIANCE ONLY. POUR UTILISATION UNIQUEMENT AVEC LES PORTES EN VERRE CERTIFIÉES AVEC L'APPAREIL. For natural gas when equipped with No. XX drill size orifice. For propane when equipped with No. XX drill size orifice. Convient au gaz naturel quand l'appareil est muni d'un injecteur de diamètre no. XX. Convient au propane quand l'appareil est muni d'un injecteur de diamètre no. XX. WARNING: Do not add any material to the appliance which will come in contact with the flames, other than that supplied by the manufacturer with the appliance. AVERTISSEMENT: N'ajoutez pas à cet appareil aucun matériau devant entretien contact avec les flammes autre que celui qui est fourni avec cet appareil par le fabricant. The appliance must be vented using the appropriate Napoleon vent kits. See installation manual for venting specifications. Proper reinstallation and resealing is necessary after servicing the vent-air intake system. L'appareil doit être ventilé à l'aide de l'ensemble d'évacuation propre à Napoleon. Référez au manuel d'installation pour les spécifications d'évacuation. Il est nécessaire de bien réinstaller et resceller l'évacuation après avoir exécuté l'entretien du système de prise d'air. Serial Number / N° de Série: XXXX W385-XXXX
<input type="checkbox"/> XXXX	<input type="checkbox"/> XXXX	<input type="checkbox"/> XXXX	<input type="checkbox"/> XXXX	
<input type="checkbox"/> XXXX	<input type="checkbox"/> XXXX	<input type="checkbox"/> XXXX	<input type="checkbox"/> XXXX	
Altitude		0-XXXXft (0-XXXXm)	Élévation	
Input	XX,XXX		Alimentation	
Reduced Input	XX,XXX	XX,XXX	Réduite	
P4	XX.X%	XX,XXX	Alimentation Réduite	
Manifold Pressure: 3.5" w.c. (NG)			Manifold Pressure: 10" w.c. (P)	
Minimum Supply Pressure: 4.5" w.c. (NG)			Minimum Supply Pressure: 1" w.c. (P)	
Maximum Supply Pressure: 7" w.c. (NG)			Maximum Supply Pressure: 13" w.c. (P)	
Pression au Collecteur: 3.5" d'une colonne d'eau (GN)			Pression au Collecteur: 10" d'une colonne d'eau (P)	
Pression d'Alimentation Min.: 4.5" d'une colonne d'eau (GN)			Pression d'Alimentation Min.: 11" d'une colonne d'eau (P)	
Pression d'Alimentation Max.: 7" * d'une colonne d'eau (GN)			Pression d'Alimentation Max.: 13" * d'une colonne d'eau (P)	
** Maximum inlet pressure not to exceed 13".			** Pression d'alimentation maximale ne devait pas dépasser 13".	
Minimum clearance to combustible materials:			Dégagements minimaux des matériaux combustibles:	
Top, sides & back: per standoff spacers for framing and finishing materials. For non-combustible framing and finishing materials, see installation manual.			Dessus, côtés et arrière: selon les espaces de dégagements pour les matériaux d'ossature selon le manuel du propriétaire pour les matériaux de finition.	
Top X"			Dessus X"	
Floor X"			Plancher X"	
Sides X"			Côtés X"	
Back X"			Arrière X"	
Vent top X"			Dessus du conduit d'évent X"	
Vent sides & bottom X"			Côtés et dessous du conduit d'évent X"	
Recessed depth X"			Profondeur d'encastré une face X"	
*** Mantel X" from appliance opening			*** Tablette X" de l'ouverture de l'appareil	
*** Maximum horizontal extension:			*** L'extension horizontale maximale: X".	
X". See installation manual for greater extensions, minimum vent lengths and maximum vent lengths.			Référez au manuel d'installation pour des extensions plus grandes, les longueurs d'évacuation minimaux et maximum.	
Electrical rating: 115V, 60HZ. Less than 12 ampères.			Spécifications électriques: 115V, 60HZ. Moins de 12 ampère.	
WOLF STEEL LTD.	24 Napoleon Road, Barrie, ON, L4M 0G8 Canada			

note:

La plaque d'homologation doit rester avec l'appareil à tout instant. Elle ne doit pas être enlevée.

2.0 faite fonctionner votre appareil

FR

Lorsque vous utilisez votre appareil pour la première fois, il y a un rodage processus requis qui guérit les matériaux utilisés pour la fabrication de la cheminée qui peut émettre une odeur inhabituelle. Ces vapeurs sont normales lorsque vous utilisez un nouvel appareil pour la première fois. Assurer la circulation d'air suffisante est prévue au cours de la procédure de gravure.

2.1 utilisation de votre appareil

Pour allumer l'appareil :

- A Allumez l'interrupteur marche/arrêt.
- B Après 3 à 5 secondes, le contrôle va commencer une étincelle à la veilleuse, allumer le pilote, puis le brûleur. La période d'allumage sera 60 dernières secondes, ou jusqu'à ce que le pilote a allumé.
- C Lorsqu'il est utilisé pour la première fois, si le processus de rodage n'était pas rempli par l'installateur faites fonctionner les appareil en permanence pendant 4 heures (burn-in).
- D Mettez l'appareil hors tension.

Pour plus d'informations, consultez votre manuel d'Installation ou de contacter votre revendeur agréé.

faites fonctionner votre appareil

FR

2.2 instructions d'opération et d'allumage

! AVERTISSEMENT

- Si ces instructions ne sont pas suivies à la lettre, un incendie ou une explosion pourraient s'ensuivre, causant des dommages matériels, des blessures corporelles ou des pertes de vie.
- Si applicable, allumez toujours la veilleuse, que ce soit pour la première fois ou lorsque l'approvisionnement en gaz est épuisé, avec la porte vitrée ouverte ou retirée.

Lorsqu'il est allumé pour la première fois, l'appareil dégagera une légère odeur pendant quelques heures. Cela est une condition normale temporaire causée par le conditionnement des bûches et l'évaporation des peintures et lubrifiants internes utilisés dans le processus de fabrication; elle ne se reproduira plus. Après de longues périodes sans utiliser l'appareil, comme à la suite de vacances ou à la fin de l'été, il se peut qu'une légère odeur se dégage pendant quelques heures. Ceci est causé par des particules de poussière brûlant dans l'échangeur de chaleur. Dans les deux cas, ouvrez une fenêtre pour aérer la pièce.

POUR VOTRE SÉCURITÉ, LISTEZ CE QUI SUIT AVANT D'ALLUMER L'APPAREIL:

- Ne pas allumer si des enfants ou d'autres individus à risque sont à proximité de la veilleuse.
- Cet appareil est équipé d'un dispositif d'allumage qui allume automatiquement la veilleuse. N'essayez pas de l'allumer manuellement.
- Avant d'allumer, sentez autour de l'appareil et près du plancher afin de vous assurer qu'il n'y a pas de fuite de gaz. Certains gaz sont plus lourds que l'air et se déposeront au niveau du plancher.
- N'utilisez pas cet appareil si une partie quelconque a été submergée. Contactez immédiatement un technicien qualifié pour l'inspecter et pour remplacer toute pièce du système de contrôle et du contrôle du gaz qui aurait été submergée.

QUE FAIRE SI VOUS DÉTECTEZ UNE ODEUR DE GAZ

- Coupez l'alimentation en gaz à l'appareil.
- Ouvrez les fenêtres.
- N'allumez aucun appareil.
- Ne touchez à aucun interrupteur électrique; n'utilisez aucun téléphone dans votre immeuble.
- De la maison d'un voisin, appelez immédiatement votre fournisseur de gaz et suivez ses instructions.
- Si vous ne pouvez pas rejoindre votre fournisseur de gaz, appelez le service des incendies.

INSTRUCTIONS D'ALLUMAGE

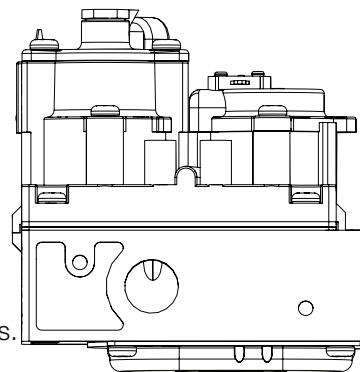
note:

Cet appareil est équipé d'un dispositif d'allumage qui s'allume automatiquement la veilleuse. N'essayez pas de l'allumer manuellement.

- A.** Arrêtez! Lisez les consignes de sécurité ci-dessus.
- B.** Coupez l'alimentation électrique à l'appareil.
- C.** Retirez l'écran, le cas échéant.
- D.** Tournez le bouton de contrôle du gaz vers la droite à « OFF ». (Elle est situé sur le connecteur flexible).
- E.** Attendez cinq (5) minutes pour que le gaz puisse s'échapper. Si vous détectez une odeur de gaz, incluant au niveau du plancher, **ARRÊTEZ!** et suivez les instructions ci-dessus « QUE FAIRE SI VOUS DÉTECTEZ UNE ODEUR DE GAZ ». Continuez à l'étape suivante si vous ne sentez pas de gaz.
- F.** Tournez le soupape fermeture manuelle vers la gauche à « ON ».
- G.** Rétablissez l'alimentation électrique à l'appareil et installez les piles dans le télécommande, si équipé. Régler le thermostat à la position désirée, si équipé.
- H.** Tournez l'interrupteur murale de l'appareil à la position « ON ».
- I.** Si l'appareil ne fonctionne pas, suivre les instructions de « couper l'alimentation de gaz » et puis appelez votre technicien de service ou fournisseur de gaz.

COUPEZ L'ALIMENTATION DE GAZ

- A.** Coupez l'interrupteur mural de l'appareil.
- B.** Coupez l'alimentation électrique à l'appareil si un travail d'entretien doit être fait.
- C.** Tournez le soupape fermeture manuelle vers la gauche « OFF ». Ne forcez pas.



3.0 dégagements autour de l'appareil

FR

! AVERTISSEMENT

- Votre appareil, raccordement gaz/électrique, ventilation et divers composants clés sont cachés derrière le mur. Il est essentiel qu'aucune vis pénètrent ces composants. Non-respect des instructions peut provoquer un fonctionnement incorrect, dommages, blessures ou feu. Utilisez toujours un localisateur de montants et seulement visser dans les montants.

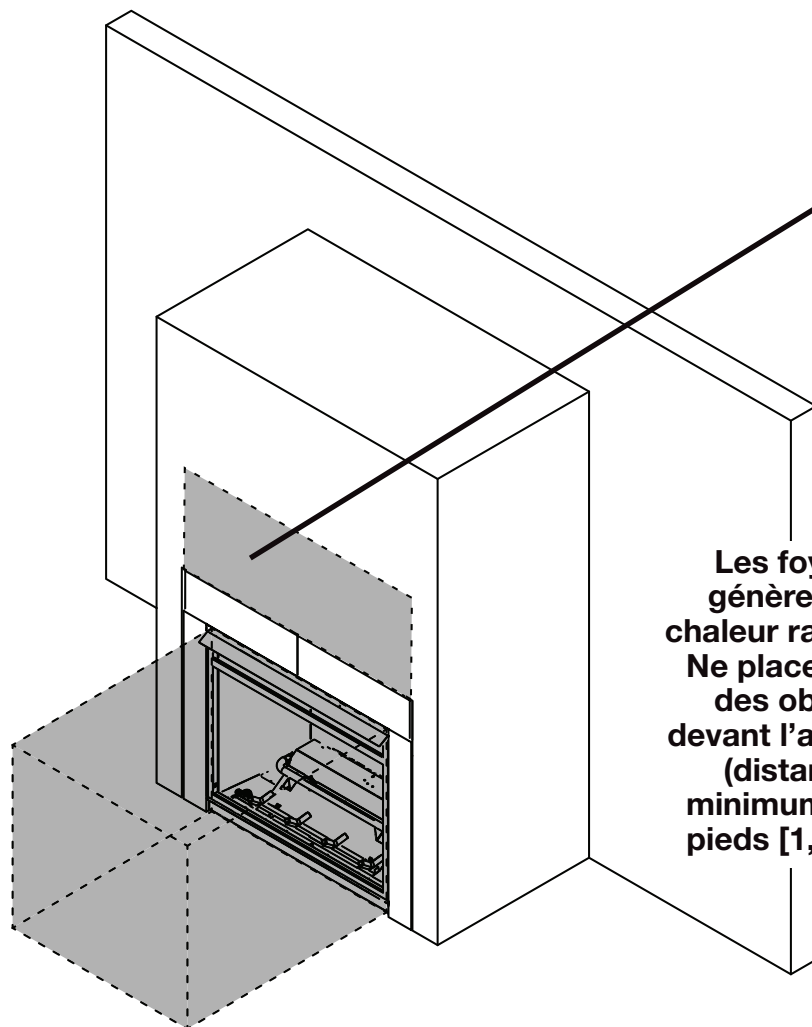
Sans prendre les dispositions adéquates pour tenir compte de la chaleur, les températures au-dessus de la cheminée sera chauds, rendant impropres pour le montage d'un téléviseur ou autres objets sensibles à la chaleur sans risques de dommages.

Installation d'un manteau de cheminée entre cet appareil et électronique ou d'autres matériaux qui peut-être être sensibles à la chaleur réduira l'effet de la chaleur directe sur eux.

La taille et le matériel du manteau affecteront le jeu autorisé au-dessus de votre cheminée et un positionnement incorrect pourrait devenir un risque d'incendie. Consultez votre revendeur d'autorisé et/ou manuel d'installation pour plus d'informations avant d'installer un manteau, une étagère, ou n'importe quel autre objet au-dessus de votre appareil.

Votre appareil, de branchements gaz/électriques et de ventilation sont cachés derrière le mur fini. Il faut en grand pour éviter de visser ou clouer dans ces composants. Utilisez toujours un localisateur de montants pour déterminer l'emplacement des montants et seulement visser dans les montants.

Ne pas vissez dans les environs de l'ouverture de l'appareil car une partie de votre appareil peut être cachée derrière le mur fini. Référez-vous à votre manuel d'installation et/ou contactez votre revendeur local pour plus d'information.



! AVERTISSEMENT

La zone située au-dessus de la cheminée devient chaud. Objets combustibles ne doivent jamais être placés dans ce domaine. Pour les exigences minimaux, référez au manuel d'installation ou de votre revendeur agréé.

Les foyers génèrent la chaleur radiante. Ne placez pas des objets devant l'appareil (distance minimum de 4 pieds [1,21m])

4.0 entretien

FR

AVERTISSEMENT

- Coupez l'alimentation en gaz et l'alimentation électrique avant de procéder à l'entretien de l'appareil.
 - L'appareil peut être chaud. Attendez qu'il soit refroidi avant d'en faire l'entretien.
- Pour les techniciens qualifié seulement:**
- Lors de l'entretien des contrôles, assurez-vous d'identifier chacun des fils avant de les débrancher. Une réinstallation incorrecte des fils peut occasionner un mauvais fonctionnement et être dangereuse.
 - Cet appareil est son système d'évacuation devraient être inspectés avant la première utilisation et au moins une fois l'an par un technicien service qualifié.
 - Les apports d'air comburant et d'air de convection ne doivent pas être obstrués.

IL FAUT

- Nettoyez régulièrement votre moustiquaire pour éviter l'accumulation de saletés et de débris qui peuvent s'accumuler sur les appareils d'extérieur. Il suffit de le brosser avec une brosse à poils doux ou de l'aspirer à l'aide de l'accessoire brosse.
- Nécessiter un entretien qui devra être effectué sur une base annuelle. L'entretien doit être conduit pas un technicien qualifié.
- Laisser l'espace entourant l'appareil propre et libre de matériaux combustibles, d'essence ou autres liquides et vapeurs inflammables.
- Vérifiez si le brûleur allume sur tous les orifices lorsque l'appareil marche. Un temps d'allumage total de 5 à 10 seconds est satisfaisant. Service

selon les besoins.

IL NE FAUT PAS

- Essayez d'entretenir l'électrique ou des composants de gaz. Contacter un technicien qualifié.
- Utiliser une force excessive..
- Peinturez l'ensemble du pilote.
- Placer pas les objets trop près de l'ouverture de l'appareil.

note:

Pour toute question ou des préoccupations au sujet de votre appareil, l'entretien et le service, contacter votre détaillant agréé.

4.1 soins des pièces plaquées

Si l'appareil est muni de pièces plaquées, vous devez enlever toutes traces de doigts ou autres marques des surfaces plaquées avant d'allumer l'appareil pour la première fois. Utilisez les nettoyants sans ammoniaque ou à base de vinaigre. Si la surface plaquée n'est pas bien nettoyée avant le premier allumage de l'appareil, elle risque de rester marquée en permanence. Une fois que la surface plaquée aura chauffé, les traces de doigts et le gras n'affecteront plus la surface et très peu d'entretien sera requis; vous n'aurez qu'à l'essuyer au besoin. Une combustion prolongée à haute température avec la porte ouverte peut causer une décoloration des pièces plaquées.

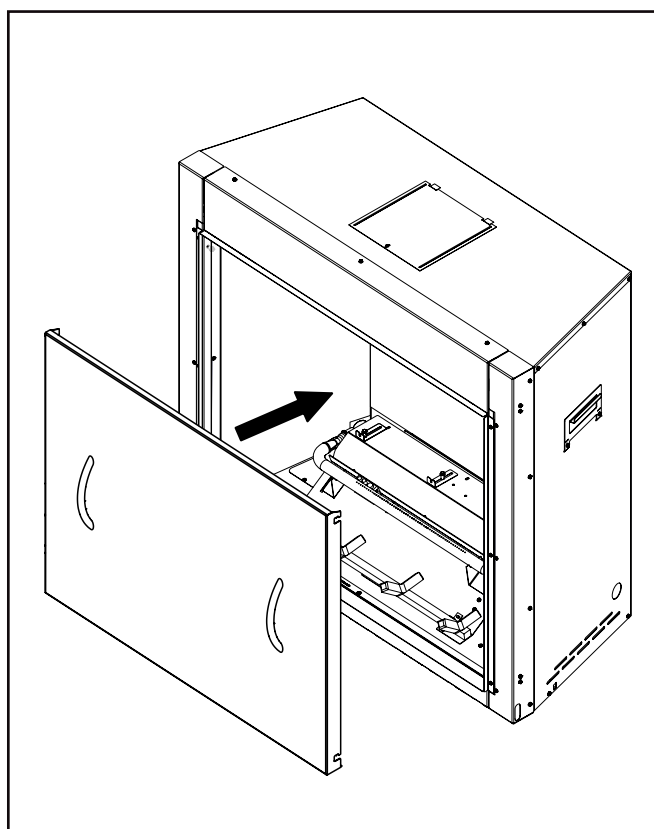
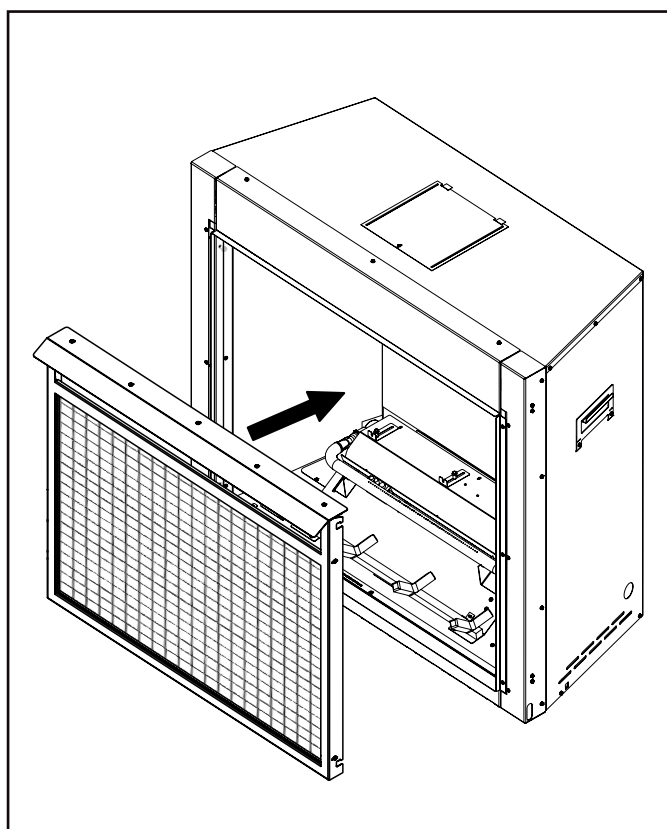
note:

L'emballage de protection sur les pièces plaquées s'enlève mieux lorsque l'assemblage est à température ambiante ou lorsqu'il est chauffé (c.à.d. avec un sèche-cheveux ou une autre source de chaleur similaire).

4.2 kit écran / protection contre les intempéries

Un kit écran conçu pour empêcher l'accumulation de saletés et de débris dans la cheminée est une option pour cet appareil. Le couvercle des fentes doit rester ouvert.

Cet appareil peut être équipé en option d'une housse destinée à protéger l'intérieur du foyer des intempéries lorsqu'il n'est pas utilisé.



5.0 pièces de rechange

FR

AVERTISSEMENT

- Omettre de positionner les pièces conformément à ce manuel ou d'utiliser uniquement des pièces spécifiquement approuvées pour cet appareil peut causer des dommages matériels ou des blessures corporelles.

Contactez votre détaillant pour les questions concernant les prix et la disponibilité des pièces de remplacement. Normalement, toutes les pièces peuvent être commandées chez votre détaillant autorisé.

Pour un remplacement de pièce sous garantie, une photocopie de la facture originale sera requise afin de pouvoir honorer la demande.

Lorsque vous commandez des pièces, donnez toujours l'information suivante:

- Modèle et numéro de série de l'appareil
- Date d'installation de l'appareil
- Numéro de la pièce
- Description de la pièce
- Fini

Pièces, numéro des pièces et s'il soit disponible peut changer sans préavis.

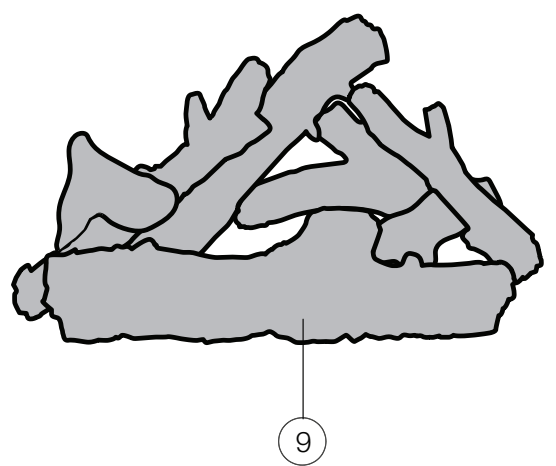
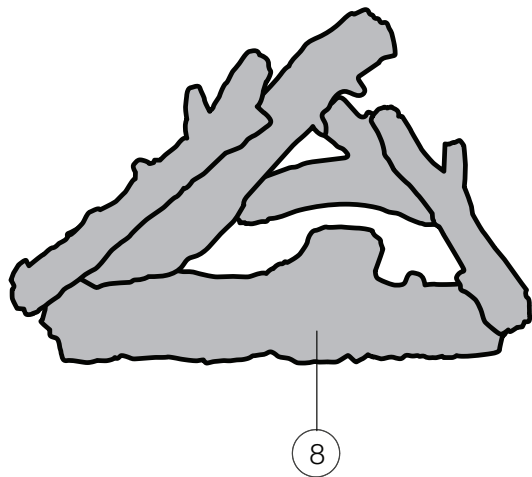
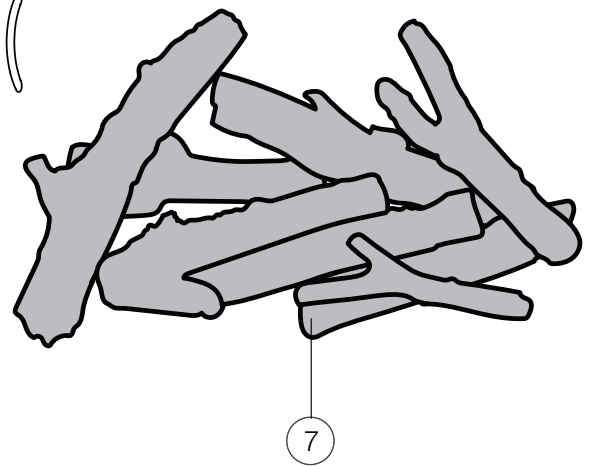
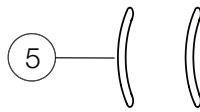
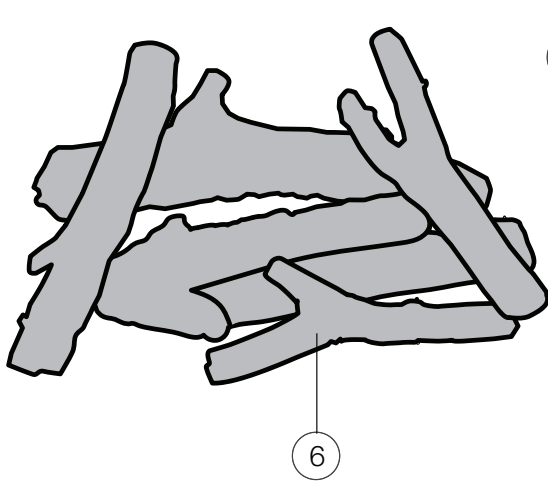
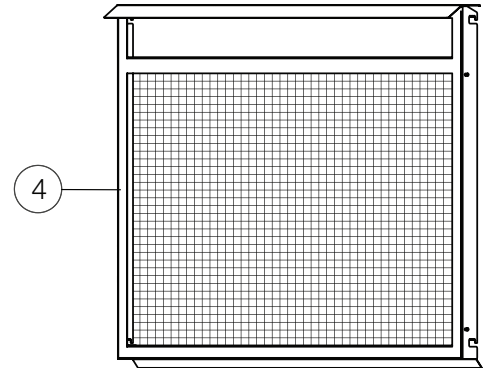
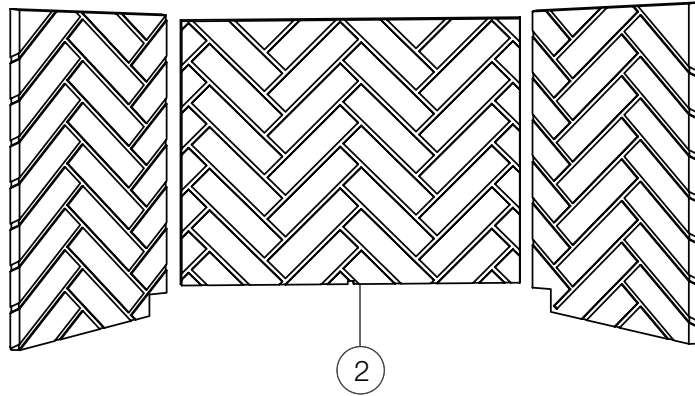
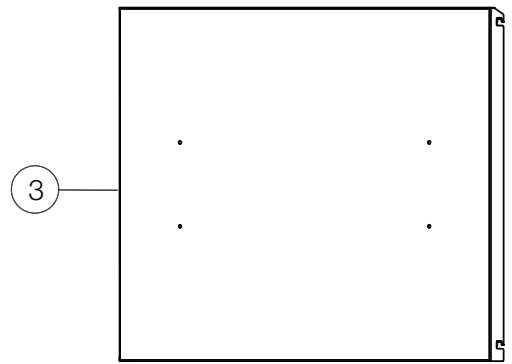
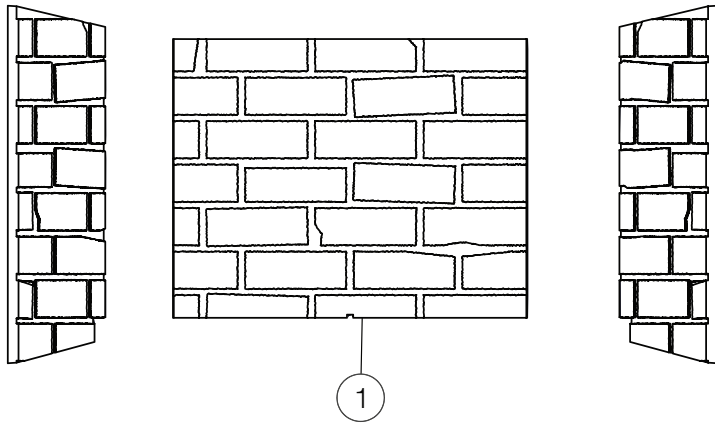
Parties identifiées comme garnie seront livrés dans 2 à 5 jours pour la plupart des destinations de livraison.

Pièces non identifiées que stockés seront livrés dans un délai de 2 à 4 semaines pour la plupart des cas.

Pièces identifiées comme « SO » sont commande spéciale et peuvent prendre jusqu'à 90 jours pour la livraison.

6.0 accessoires

Réf.	Partie	Description	En stock
1	DBPRS36NS	Panneau décoratif en briques Newport (RSS36)	
	DBPRS36WH	Panneau décoratif en briques Westminster (RSS36)	
2	DBPRS42NS	Panneau décoratif en briques Newport (RSS42)	
	DBPRS42WH	Panneau décoratif en briques Westminster (RSS42)	
3	RSS36WC	Couvercle de protection contre les intempéries en acier inoxydable (RSS36)	
	RSS42WC	Couvercle de protection contre les intempéries en acier inoxydable (RSS42)	
4	RSS36SK	Kit écran (RSS36)	
	RSS42SK	Kit écran (RSS42)	
5	N325-0049-SER	Poignée de porte	Oui
6	BLKRS36	Kit de bûches de bouleau (RSS36)	
7	BLKRS42	Kit de bûches de bouleau (RSS42)	
8	OLKRS36	Kit de bûches en chêne (RSS36)	
9	OLKRS42	Kit de bûches en chêne (RSS42)	



7.0 guide de dépannage

FR

symptom	problem	test solution
Pilote ne s'allume pas. Fait du bruit avec aucune étincelle à veilleuse.	Câblage : connexions courtes, lâches ou endommagées (mauvaise rectification de la flamme).	- Contactez un technicien qualifié.
	Mauvais câblage de l'interrupteur.	- Contactez un technicien qualifié.
La veilleuse produit des étincelles mais ne s'allume pas.	Alimentation en gaz.	- Contactez un technicien qualifié.
	Plus de gaz propane.	- Remplir le réservoir.
La flamme est bleue, paresseuse et transparente.	Blocage de l'évent.	- Éliminez les blocages. Dans des conditions de froid intense, la glace peut s'accumuler sur le terminal et doit être enlevée si nécessaire.
L'appareil n'exécutera aucune fonctions.	Le système n'est pas alimenté.	- Vérifier le disjoncteur pour s'assurer qu'il est en position « on. »

Les produits **Napoléon** sont fabriqués conformément aux normes strictes du Système de Gestion de la Qualité mondialement reconnu ISO 9001 : 2015.

Les produits **Napoléon** sont conçus avec des composants et des matériaux de qualité supérieure, assemblés par des artisans qualifiés qui sont fiers de leur travail. Le brûleur et le montage de la soupape subissent un test de détection de fuite et d'allumage à une station de test de qualité. Une fois assemblé, chaque appareil est soigneusement inspecté par un technicien qualifié avant d'être emballé pour garantie que vous, le client, recevez le produit de qualité dont vous vous attendez de **Napoléon**.

Garantie à Vie Limité du Président des Appareils au Gaz Napoléon

Les matériaux suivants et la fabrication de votre nouveau appareil au gaz **Napoléon** sont garantis contre les défauts tant que vous en êtes le propriétaire. Ceci couvre: la chambre de combustion, l'échangeur de chaleur, le brûleur en acier / inoxydable, les bûches Phazer™ et les braises, les roches, la vitre en céramique (cassure thermique seulement), les pièces plaquées ou contre le ternissement, les composants en porcelaine émaillée et les mouleurs d'extrusion en aluminium.*

Les composants électriques (110V et millivolt) et les pièces soumises à l'usure sont couverts et **Napoléon** fournira gratuitement les pices de rechange durant la première année de la garantie limitée. Ceci couvre: la soufflerie, les soupapes de gaz, l'interrupteur thermique, les interrupteurs, l'installation électrique, les télécommandes, l'allumeur, les joints d'étanchéité et l'assemblage de la veilleuse.*

Les coûts de main-d'oeuvre relatifs aux réparations garanties sont couverts gratuitement durant la première année. (Les coûts de main-d'oeuvre n'est pas disponible pour l'ensemble de bûches à gaz). Cepedenant, les travaux de réparation nécessitent l'approbation préalable d'un représentant autorisé de la compagnie. Les coûts de main-d'oeuvre à la charge de **Napoléon** sont basés sur un programme de tarifs prédéterminé et tout travail de réparation doit être accompli par l'entremise d'un représentant autorisé **Napoléon**.

* La fabrication de chaque modèle varie. La garantie s'applique uniquement aux composants disponibles avec votre appareil.

Conditions et Limitations

Napoléon garantit ses produits contre les défauts de fabrication à l'acheteur d'origine seulement. L'enregistrement de la garantie n'est pas nécessaire. Fournissez simplement une preuve d'achat ainsi que la modèle et le numéro de série afin d'effectuer une réclamation de garantie.

Napoléon se réserve le droit de demander à son représentant d'inspecter tous produits ou pièces avant d'honorer toute réclamation. L'achat doit avoir été fait par l'entremise d'un détaillant **Napoléon** autorisé et sous réserve des conditions et limitations suivantes:

La couverture de la garantie débute à partir de la date d'installation originale. Cette garantie du fabricant n'est pas transférable et ne peut être prolongée par aucun de nos représentants. L'appareil au gaz doit être installé par un installateur autorisée qualifié, une agence de service ou fournisseur. L'installation doit être faite conformément aux instructions d'installation incluses avec le produit et à tous les codes d'incendie et de construction locaux et nationaux. Cette garantie limitée ne couvre pas les dommages causés par un mauvais usage, un manque d'entretien, un accident, des altérations, des abus ou de la négligence et l'installation de pièces d'autres fabricants annulera cette garantie. Cette garantie limitée ne couvre pas non plus les égratignures, les bossellements, la corrosion ou la décoloration causés par une chaleur excessive, des produits d'entretien chimiques et abrasifs ou l'écaillage des pièces en porcelaine émaillée, le bris par manipulation des bûches PHAZER™ et des braises.

Cette garantie s'étend à la réparation ou au remplacement des pièces garanties dont les matériaux ou la fabrication sont défectueux à la condition que le produit ait été utilisé conformément aux instructions de fonctionnement et dans des conditions normales. Après la première année, concernant cette Garantie à Vie Limitée du Président, **Napoléon** peut, à sa discrétion, se libérer entièrement de toutes obligations en ce qui concerne cette garantie en remboursant à l'acheteur d'origine le prix de gros de toute pièce garantie qui est défectueuse.

Napoléon ne sera pas responsable de l'installation, de la main-d'oeuvre ou autres dépenses relatives à la réinstallation d'une pièce garantie et de telles dépenses ne sont pas couvertes par cette garantie.

Nonobstant toutes les dispositions contenues dans cette Garantie à Vie Limitée du Président, la responsabilité de **Napoléon** sous cette garantie est définie comme ci-dessus et elle ne s'appliquera à aucun dommage accidentel, consécutif ou indirect. Cette garantie définit l'obligation et la responsabilité de **Napoléon** en ce qui concerne l'appareil au gaz **Napoléon** et toute autre garantie énoncée ou implicite en ce qui concerne ce produit, ses composants ou accessoires est exclue.

Napoléon n'endosse ni n'autorise aucun tiers à assumer en son nom, toute autre responsabilité concernant la vente de ce produit.

Napoléon ne sera pas responsable d'une surchauffe, des refoulements, des déversements causés par des conditions environnementales telles que des toits, des bâtiments, la proximité d'arbres, de collines, de montagnes, une ventilation ou des événements inadéquats, une configuration d'évacuation excessive, un apport d'air insuffisant ou des pressions négatives qui peuvent ou non être causés par des systèmes mécaniques tels que les ventilateurs d'évacuation, les fournaies, les sècheuses de linge, etc. Tout dommage causé à l'appareil, à la chambre de combustion, à l'échangeur de chaleur, aux garnitures plaquées ou autres composants par l'eau, les dommages causés par les intempéries, de longues périodes d'humidité, la condensation, des produits chimiques ou produits d'entretien nuisibles ne seront pas la responsabilité de **Napoléon**. Toutes les pièces remplacées en vertu de la politique de Garantie à vie limitée du Président ne peuvent faire l'objet que d'une seule réclamation. Durant les dix premières années, **Napoléon** remplacera ou réparera les pièces défectueuses qui sont couvertes par la garantie à vie limitée à sa discrétion gratuitement. Après les dix premières années, **Napoléon** fournira les pièces de rechange à 50% du prix de détail courant. Toutes les pièces remplacées au titre de la garantie seront couvertes pour une période de 90 jours à partir de leur date d'installation. Le fabricant peut exiger que les pièces défectueuses ou les produits soient retournés ou que des photos numériques soient fournies pour valider la réclamation. Les produits retournés doivent être expédiés port payé au fabricant pour une inspection en usine. Si un produit est déclaré défectueux, le fabricant le réparera ou le remplacera. Avant d'expédier votre appareil ou les pièces défectueuses, votre détaillant doit obtenir un numéro d'autorisation. Toute marchandise expédiée à notre usine sans autorisation sera refusée et retournée à l'expéditeur.

Les coûts d'expédition ne sont pas couverts par cette garantie.

Des frais de service supplémentaires peuvent être appliqués si vous cherchez à obtenir des services au titre de la garantie auprès d'un détaillant.

Les indemnités de main-d'oeuvre au titre de la garantie s'appliquent uniquement pour le remplacement d'une pièce garantie.

Les frais de déplacement, de tests de diagnostic, d'expédition et autres frais afférents ne sont pas couverts par cette garantie.

Toutes les spécifications et les conceptions sont sujettes à modifications sans préavis en raison des améliorations constantes apportées au produit. **Napoléon** est une marque de commerce déposée de Wolf Steel Ltée.

9.0 historique d'entretien

FR

Historique de service de l'appareil Cet appareil doit être entretenu annuellement selon son usage.				
Date	Déaillant	Nom du Technicien	Travail Effectué	Problèmes Particuliers



NAPOLÉON CÉLÈBRE PLUS DE 40 ANS D'EXISTENCE CONSACRÉS À LA CONCEPTION DE PRODUITS DE CONFORT



7200, Route Transcanadienne, Montréal, Québec H4T 1A3
24 Napoleon Road, Barrie, Ontario, Canada L4M 0G8
214 Bayview Drive, Barrie, Ontario, Canada L4N 4Y8
103 Miller Drive, Crittenden, Kentucky, USA 41030
De Riemsdijk 22, 4004 LC Tiel, Pays-Bas

Téléphone : 1-866-820-8686
napoleon.com