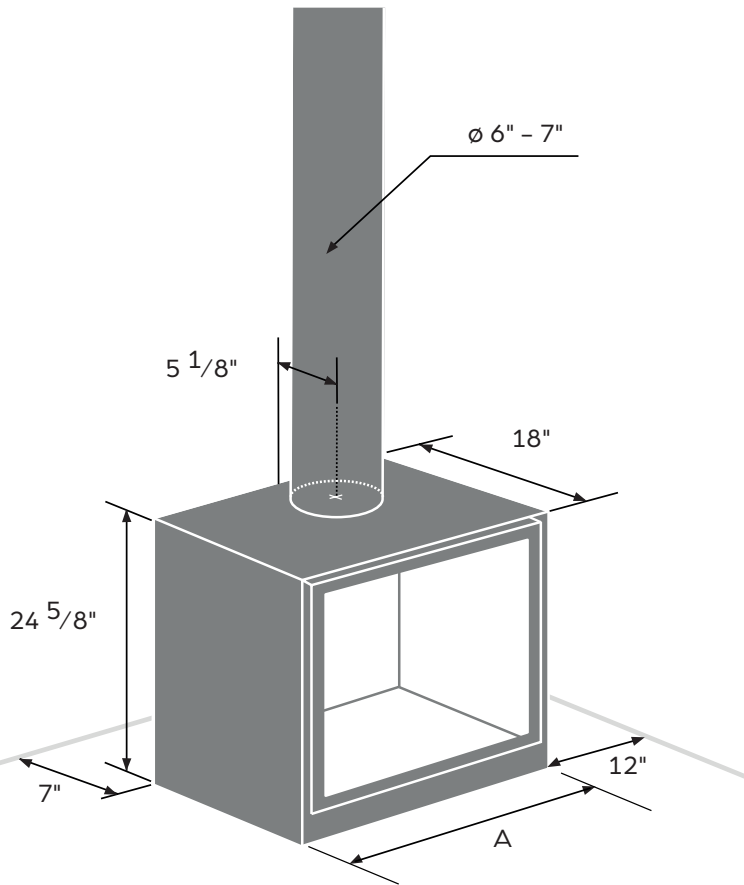


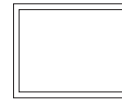
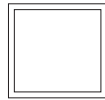
# Stûv 16-cube

## Technical sheet



### ADVANTAGES

- High heating power
- 
- Precise assembly
- 
- Generates little ash
- 
- Easy to use
- 
- Can be connected to outside air
- 
- Suitable for all types of interiors
- 
- Priority of the view of the fire
- 
- Environmental performance
- 
- No more firewood recutting



Size	16-58	16-68	16-78
Width (A)	22 <sup>7</sup> / <sub>8</sub> "	26 <sup>3</sup> / <sub>4</sub> "	30 <sup>3</sup> / <sub>4</sub> "
Maximum length of logs	17"	21"	25"
Efficiency (EPA)	70,3%	61,6%	66,6%
Particle emissions	1.47 g/h	1.94 g/h	3.1 g/h
Maximum power*	65 000 BTU/h	82 000 BTU/h	86 000 BTU/h
EPA Power*	27 015 BTU/h	24 818 BTU/h	28 765 BTU/h
Nominal heat output*	46 000 BTU/h	50 000 BTU/h	58 000 BTU/h
Heating surface area	1 400 ft <sup>2</sup>	1 650 ft <sup>2</sup>	2 100 ft <sup>2</sup>
Firebox size	1.6 ft <sup>3</sup>	2 ft <sup>3</sup>	2.2 ft <sup>3</sup>
Glass width	17 <sup>5</sup> / <sub>8</sub> "	21 <sup>9</sup> / <sub>16</sub> "	25 <sup>1</sup> / <sub>2</sub> "
Glass height	16 <sup>9</sup> / <sub>16</sub> "	16 <sup>9</sup> / <sub>16</sub> "	16 <sup>9</sup> / <sub>16</sub> "
Outside air duct	$\varnothing 4''$	$\varnothing 4''$	$\varnothing 4''$
Weight	250 lb	272 lb	300 lb

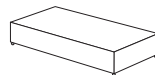
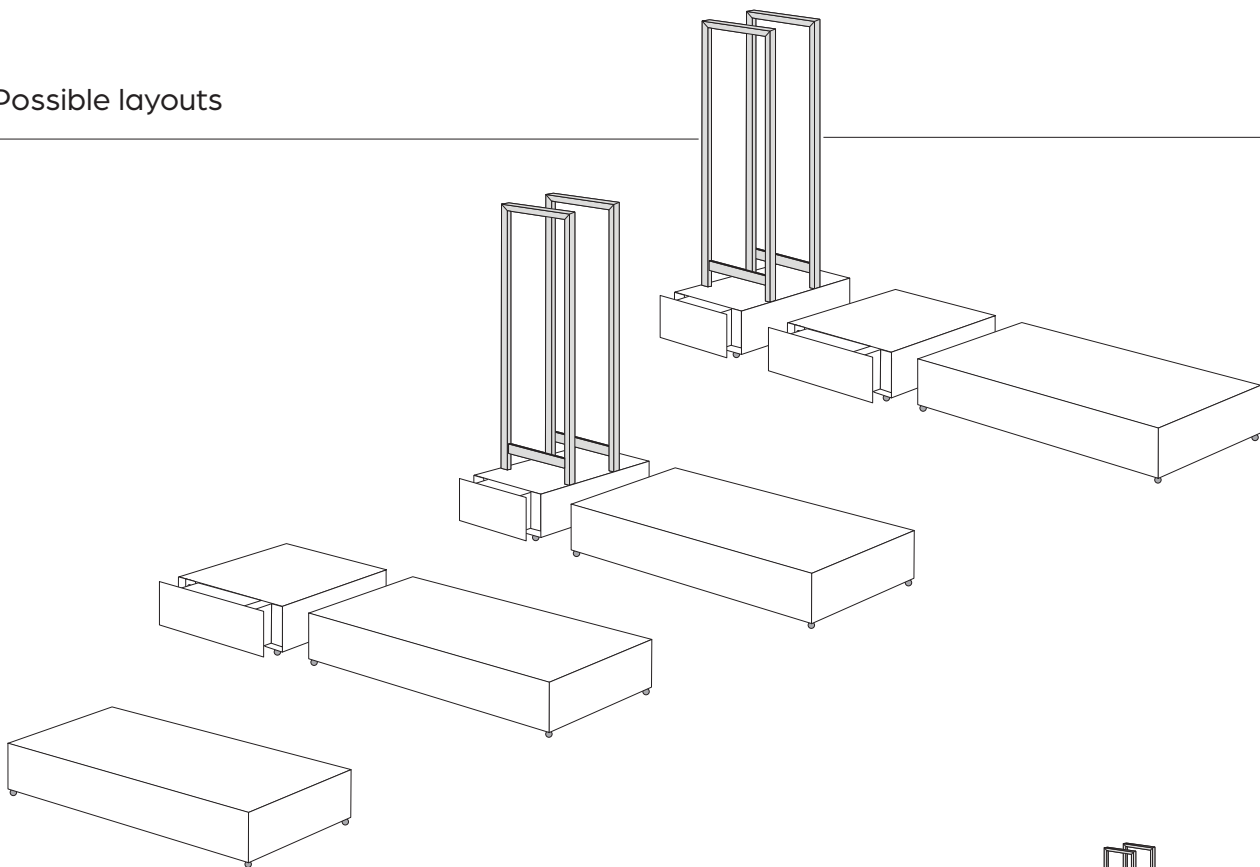
\*For additional information on powers, please see: <https://stuvamerica.com/en/inspirations/tips-and-techniques/power-btu/>  
 Dimensions for information only. See the installation manuals for details.

# PODIUM

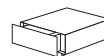
## THE STÛV 16 PODIUM SET

Offered separately, it is possible to create the layout that best suits each project.

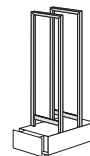
### Possible layouts



Podium



Accessory drawer



Mobile log rack with drawer

### Available colors



StûvGrey



White RAL 9010

	Podium	Accessory drawer	Mobile log rack with drawer
Width	47 1/4"	23 5/8"	18 1/8"
Height	8 3/8"	8 3/8"	53 3/4"
Depth	23 1/4"	23 1/4"	23 1/4"