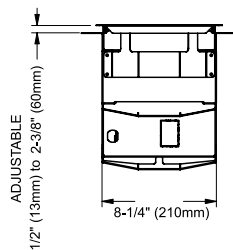
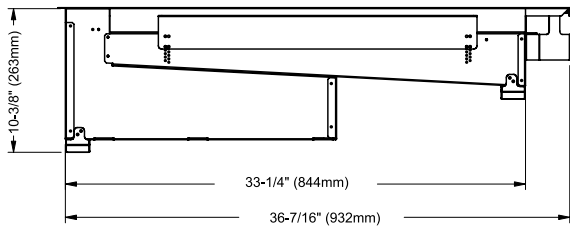
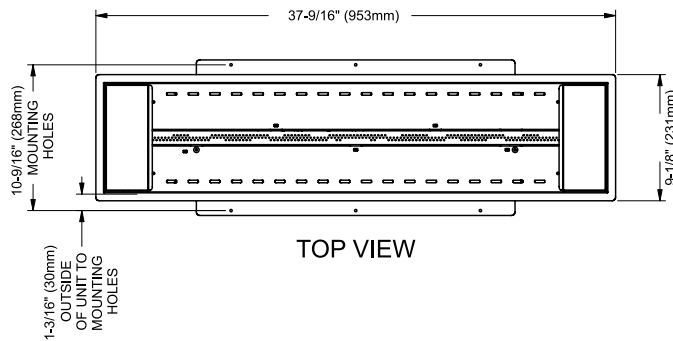


PTO30 Outdoor Decorative Fireplace

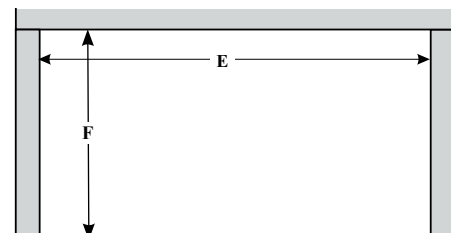
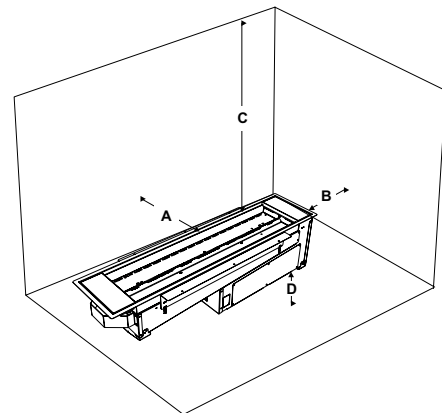
Model	PTO30-NG1	PTO30-LP1
Fuel Type	Natural Gas	Propane Gas
Minimum Supply Pressure	5" W.C. (1.25 kPa)	11" W.C. (2.74 kPa)
Manifold Pressure - High	3.5" W.C. (0.87 kPa)	10" W.C. (2.49 kPa)
Manifold Pressure - Low	1.6" W.C. (0.40 kPa)	6.4" W.C. (1.59 kPa)
Orifice Size	#25 DMS	#45 DMS
Minimum Input Altitude 0-4500 ft.	30,000 Btu/h (8.79 kW)	38,000 Btu/h (11.13 kW)
Maximum Input Altitude 0-4500 ft.	50,000 Btu/h (14.65 kW)	49,000 Btu/h (14.36 kW)
Vent Sizing	No Vent	No Vent



MINIMUM CLEARANCES TO COMBUSTIBLES

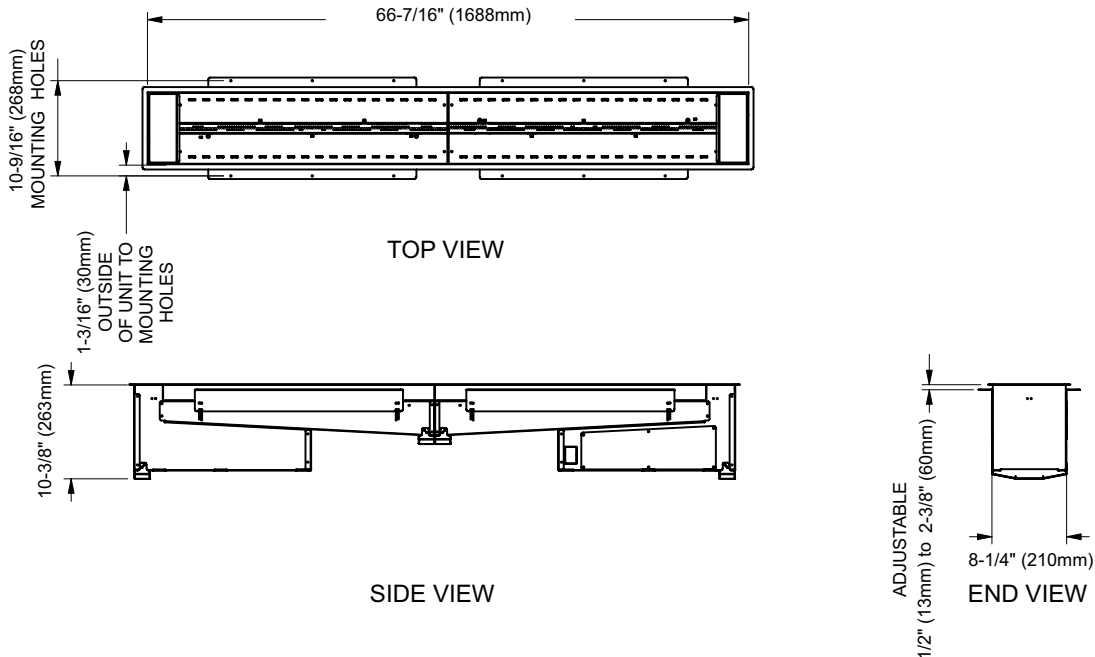
The clearances listed below are Minimum distances unless otherwise stated:

Clearance:	Dimension	Measured From:
A: Back wall	17" (432mm)	Burner to back wall
B: Sidewall	17" (432mm)	Burner to sidewall
C: Ceiling	45" (1143mm)	Burner to Ceiling
D: Unit Base	1" (25mm)	Unit Base to Combustible
E1: Alcove Width 30"	84" (2134mm)	Wall to Wall (Minimum)
E2: Alcove Width 60"	100" (2540mm)	Wall to Wall (Minimum)
F: Alcove Depth	60" (1524mm)	Front to Back Wall (Maximum)
Notes:	0"	No Hearth Required



PTO60 UNIT DIMENSIONS

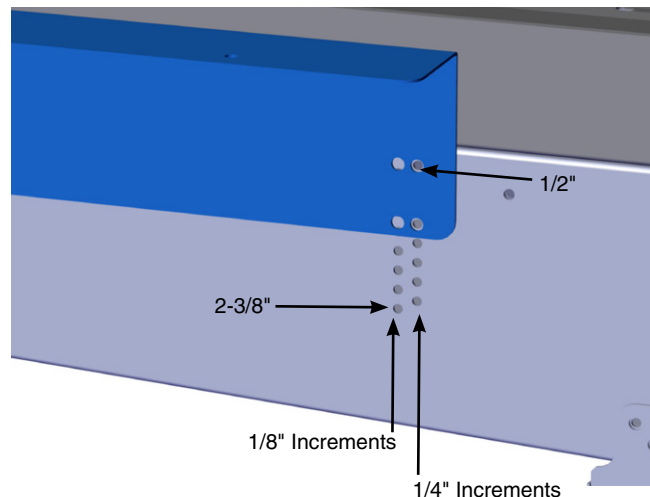
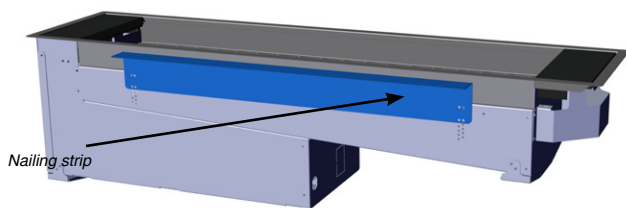
NOTE: PTO60 is two PTO30 units assembled end to end (see PTO60 assembly for more details).



FINISHING

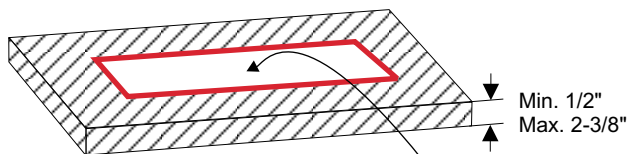
Side nailing strips are adjustable for material from a minimum of 1/2" thick up to a maximum of 2-3/8" thick.

Side nailing strips are adjustable in 1/4" or 1/8" increments. Each hole on the inside line is 1/8", each hole on the outside line is 1/4". Determine the thickness of the finishing material before adjusting the nailing strips.



FINISHING MATERIALS:

This burner is designed to be finished with non-combustible materials (ie. tile, granite, marble, brick, etc.) with a minimum thickness of 1/2" to a maximum thickness of 2-3/8".



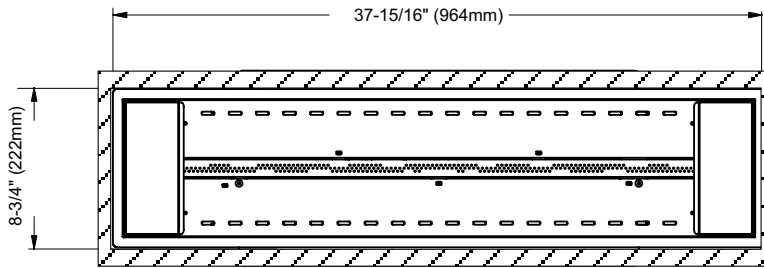
Burner Opening Size
 PTO30 36-7/16" x 8-1/4"
 PTO60 66-7/16" x 8-1/4"

PTO30 Outdoor Decorative Gas Fireplace

INNER FRAMING DIMENSIONS (REQUIRED)

NOTE: FRAMING MATERIAL NOT SUPPLIED

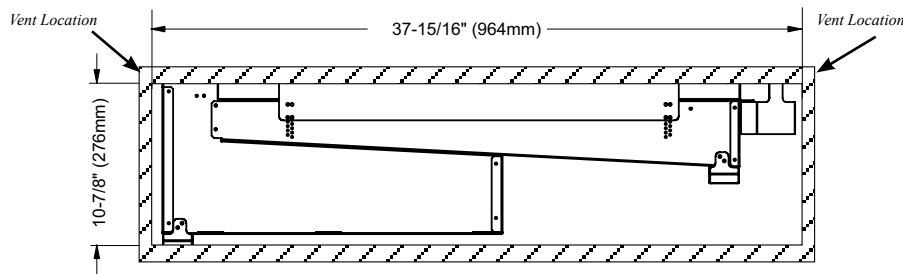
PTO30



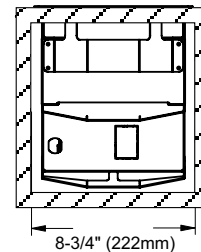
TOP VIEW

NOTE: Framing materials must be non-combustible when used within 4" of the unit.
Combustible framing materials may be used outside the 4" clearance range.

Finishing materials **MUST** be non-combustible. Consideration should be given to weather / elements when choosing framing materials (ie. treated lumber, steel stud).



SIDE VIEW

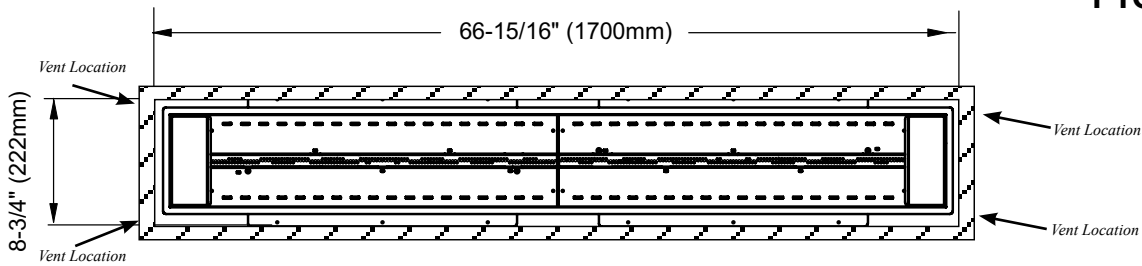


END VIEW

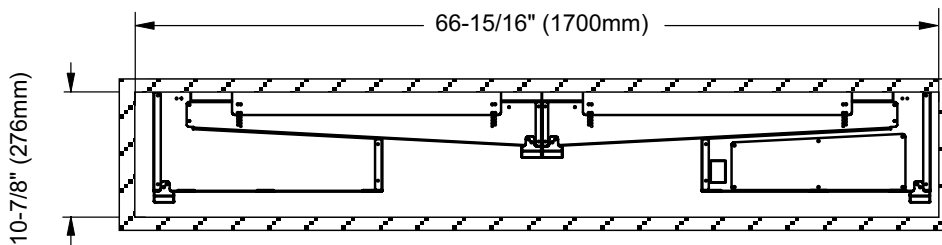
NOTE: PTO30 - Two (2) ventilation grills are required for all enclosures.

This is to alleviate moisture and allow for air to circulate. Minimum recommended size 20" sq (508 mm²) ea.

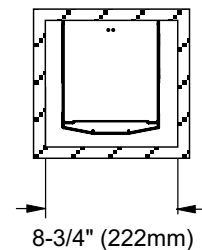
PTO60



TOP VIEW



SIDE VIEW

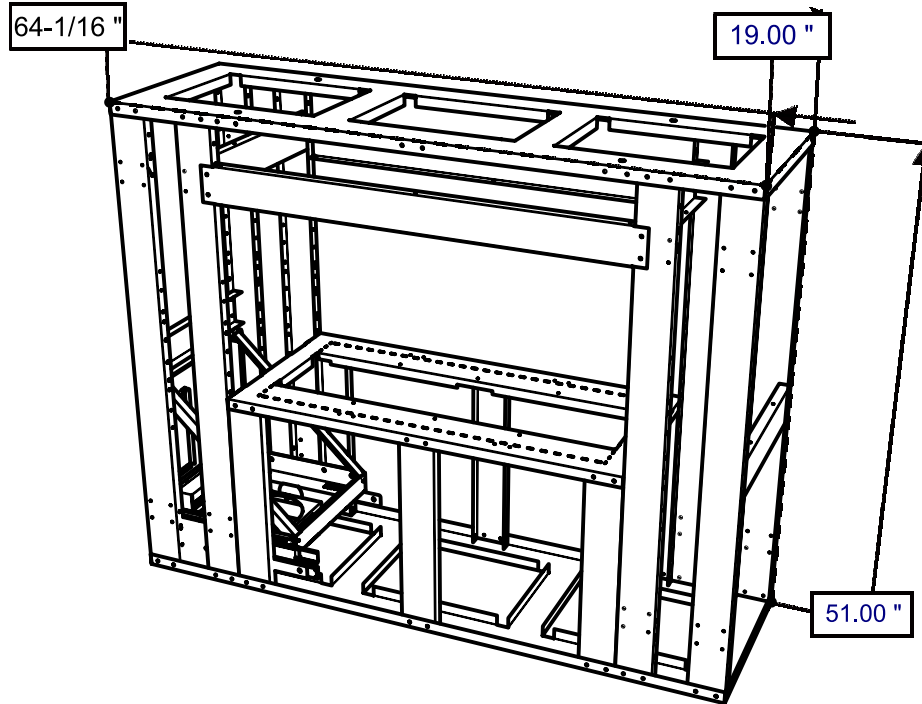


END VIEW

NOTE: PTO60 - Four (4) ventilation grills are required for all enclosures.

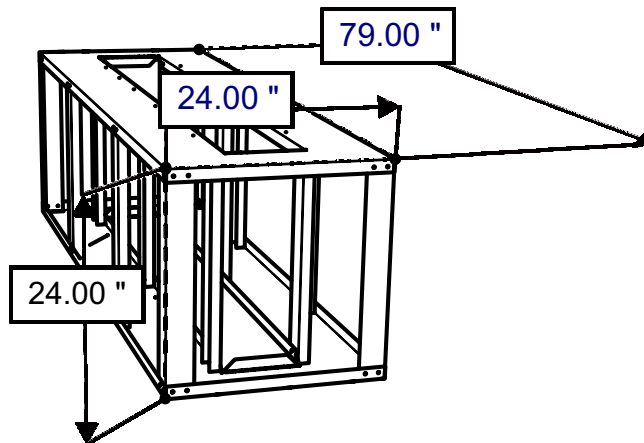
This is to alleviate moisture and allow for air to circulate. Minimum recommended size 20" sq (508 mm²) ea.

PTO30 OPTIONAL SEE THROUGH FRAMING KIT DIMENSIONS



NOTE: PTO30 - Two (2) ventilation grills are required for all enclosures.
This is to alleviate moisture and allow for air to circulate. Minimum recommended size 20" sq (508 mm²) ea.

PTO60 OPTIONAL TABLE FRAMING KIT DIMENSIONS



NOTE: PTO60 - Four (4) ventilation grills are required for all enclosures.
This is to alleviate moisture and allow for air to circulate. Minimum recommended size 20" sq (508 mm²) ea.