

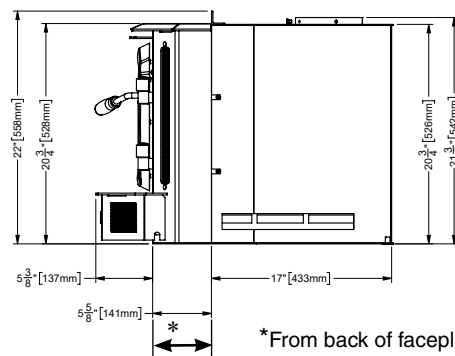
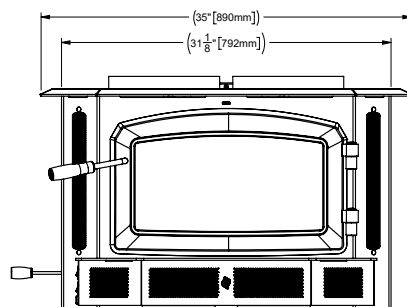
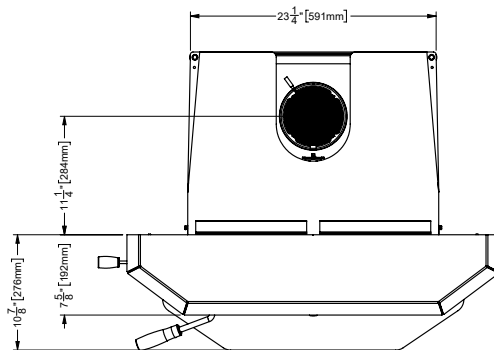
I2500 Cascades™ Wood Fireplace Insert

Model	i2500
Cordwood BTU's	78,000 BTU's
Emissions (grams/hr) EPA Certified	1 gram/hr
Efficiency (EPA HHV)*	76%
Efficiency (EPA LHV)	82%
Flue Size	6" (152mm)
US Biomass Tax Rebate Eligible	Yes

*US Biomass Tax Rebate eligibility is based on the HHV value being greater than or equal to 75%.



DIMENSIONS WITH STANDARD FLUE ADAPTOR



*From back of faceplate (not shown) to fuel door opening 7" (178mm)

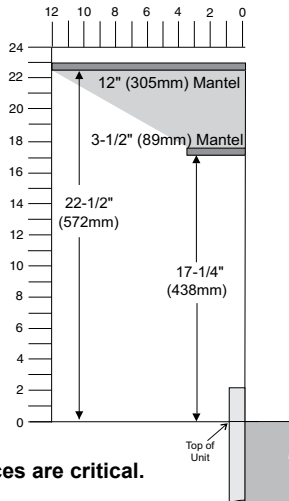
CLEARANCES

MASONRY AND FACTORY BUILT FIREPLACES

The minimum required clearances to combustible materials when installed into a masonry or factory built fireplace are listed below.

Unit	Adjacent Side Wall (to Side)	Mantle ** (to Top of Unit)	Top Facing (to Top of Unit)	Side Facing	Minimum Hearth Extension*	Minimum Hearth Side Extension*	To Top of Unit
I2500	A	B	C	D	E	F	G
	12" (305mm)	17-1/4"(438mm) for 3-1/2" (89mm) mantel 22-1/2"(572mm) for 12" (305mm) mantel	16" (406mm)	1/2"(13mm) to side surround	16" (406mm) USA 18"(457mm) Canada	8" (203mm)	20" (508mm)

Side and Top facing is a maximum of 1-1/2" (38mm) thick.



Clearances are critical.

**Mantel can be installed anywhere in shaded area or higher using the above scale.

Note: Ensure the paint that is used on the mantel and the facing is "heat resistant" or the paint may discolour.

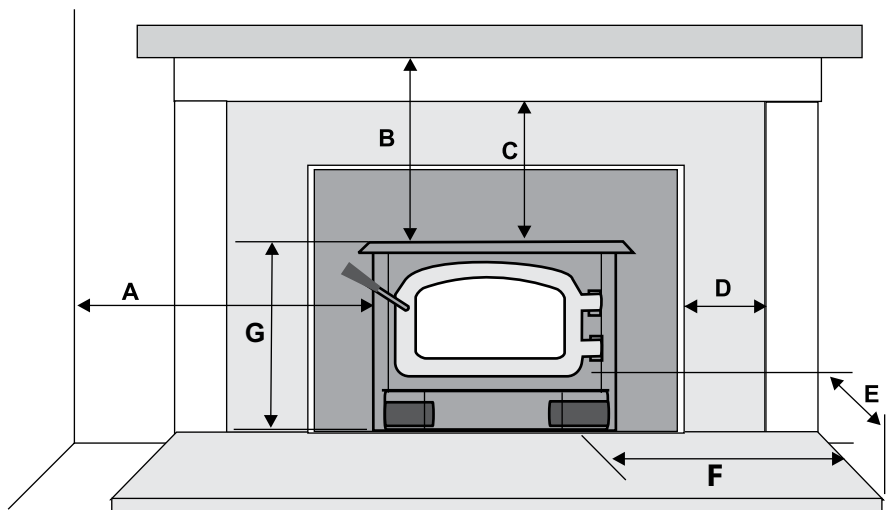
WOOD INSERT SPECIFICATIONS

Your fireplace opening requires the following minimum sizes:

Height: 21.5"
Width: 25"
Depth: 17"

Two faceplates are available to seal the fireplace opening:

Standard 40" W x 30" H **Oversize** 48" W x 33" H



Clearance diagram for installations

***Floor Protection**

Floor thermal insulation/protection with a R value of 2.8 is required if the unit is raised 0 - 3" (0-76mm) (measured from the bottom of the appliance).

Thermal floor protection is not required when unit is raised greater than 3" (76mm) (measured from the bottom of the appliance).

Please check to ensure that your floor protection and hearth will meet the standards for clearance to combustibles. Your hearth extension must be made from a non-combustible material. Extending 16" for US and 18" for Canada—measured from the fuel loading door.