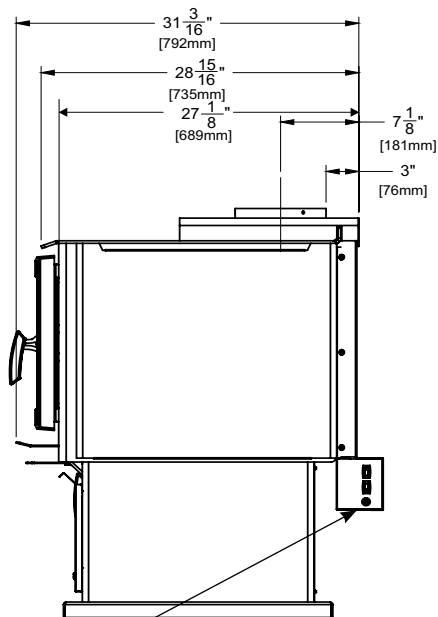


## F5200 Wood Large Stove

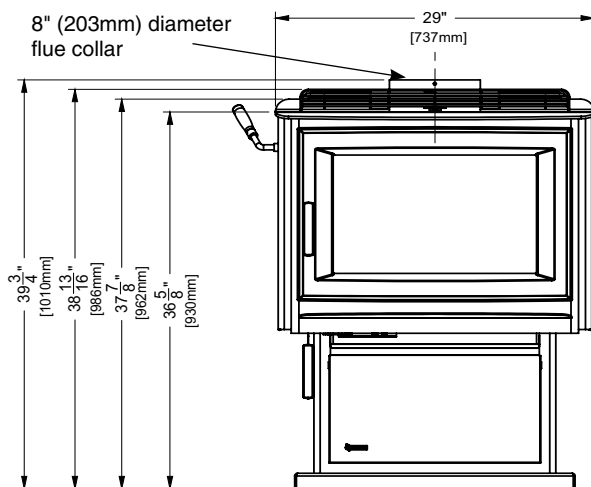
Model	F5200
Cordwood BTU's	80,000 BTU's
Emissions (grams/hr) EPA Certified	0.9 grams/hr
Efficiency (EPA HHV)*	80%
Efficiency (EPA LHV)	86%
Flue Size	*8" (203mm)
US Biomass Tax Rebate Eligible	Yes
* Cannot be reduced in size	

\*US Biomass Tax Rebate eligibility is based on the HHV value being greater than or equal to 75%.

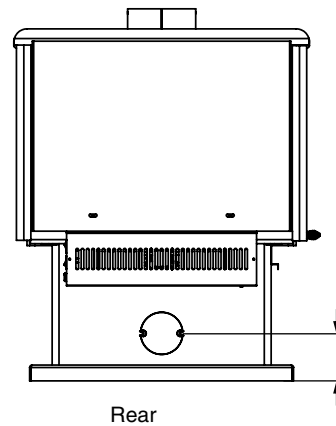
### UNIT DIMENSIONS



Shown with optional fan



### WOOD STOVE OUTSIDE AIR DIMENSIONS



With pedestal from base of unit to centerline  
5-1/2" (138mm)

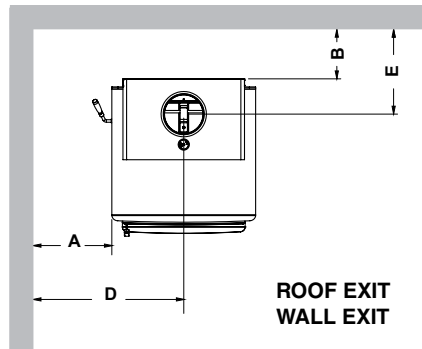
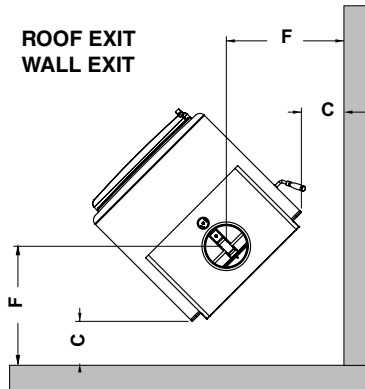
## MINIMUM CLEARANCE TO COMBUSTIBLE MATERIALS

Please read the section below carefully as clearances depend on whether the Airmate or the Rear Heat Deflector is installed on the stove. Measurements "From Unit" are from the top plate of the stove to a side wall or to a corner, and from the rear heat shield to a back wall.

**Clearances may only be reduced by means approved by the regulatory authority.**

**Note: Minimum ceiling height roof exit - 83" (2108 mm)**

NOTE: This clearance is also required for air space between the appliance and wall/ceiling.



**NOTE:** Approved with Listed Double Wall pipe only. Do not use single wall pipe.

**NOTE:** Be aware that local Codes and Regulations may override some clearances listed in this manual. Check with your local inspector.

**NOTE:** Clearances to combustibles are for the safety of the property. To avoid overheating and damaging the appliance these clearances should be maintained for non-combustibles also.

### Residential Close Clearance (To be installed with required pipe components) Listed Double Wall Pipe

When the stove is installed as a close clearance residential unit, a listed double wall connector is required from the stove collar to the ceiling level.

F5200	with Airmate or Rear Deflector	A	B	C	D	E	F
		11" 279mm	10" 254mm	8" 203mm	25-1/2" 648mm	17-1/8" 435mm	22-1/2" 572mm

### Mobile Home Close Clearance (To be installed with required pipe components) Listed Double Wall Pipe

When the stove is installed as a close clearance residential unit, a listed double wall connector is required from the stove collar to the ceiling level.

Refer to Mobile Home Installation in this manual.

F5200	with Airmate or Rear Deflector	A	B	C	D	E	F
		11" 279mm	10" 254mm	8" 203mm	25-1/2" 648mm	17-1/8" 435mm	22-1/2" 572mm"

### Minimum Alcove Clearance to Combustible Materials

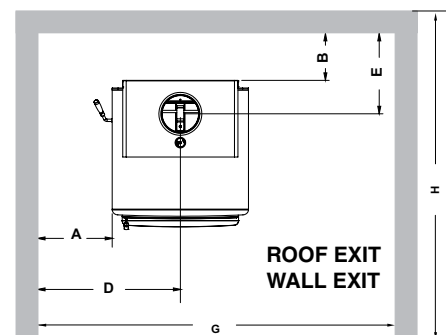
The Regency Freestanding models have been alcove approved and must be installed with a listed double wall connector to the ceiling level.

**Note: Minimum alcove ceiling height - 83" (2108 mm)**

**H = Maximum depth of alcove - 48" (1219 mm)**

**G = Minimum width of alcove - 63" (1600 mm)**

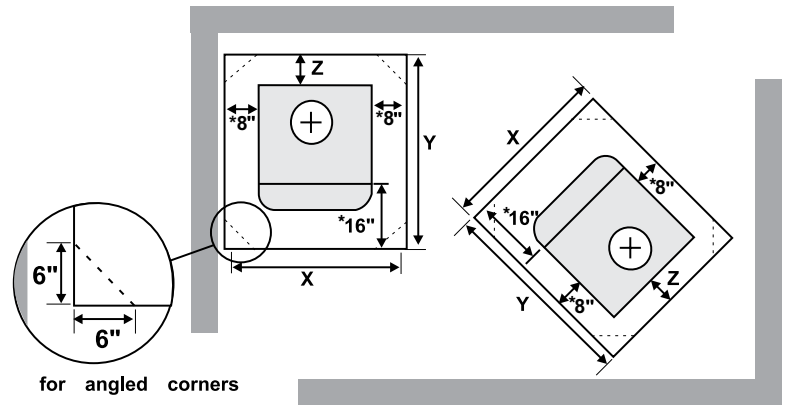
**NOTE:** This clearance is also required for air space between the appliance and wall/ceiling.



## FLOOR PROTECTION (EMBER PROTECTION ONLY REQUIRED)

A combustible floor must be protected by non-combustible material (like tile, concrete board, or certified to UL-1618 or as defined by local codes) extending beneath the heater and a minimum of 8" (203mm) from each side and minimum 16" (406mm) (USA) from the front face of the stove and minimum 8" (203mm) (or the rear clearance to combustibles whichever is smaller) from the rear of the stove.

When installed with horizontal venting, non-combustible floor protection must beneath the flue pipe and extend 2" (51mm) beyond each side.



NOTE: USA clearances shown above.

**NOTE: In Canada, floor protection must extend 18" (450mm) to the front and 8" (203mm) to each side (measured from fuel door opening) and back of the stove.**

### Minimum Overall Width (X) of Floor Protector for all installations:

Stove	F5200	36" (914 mm)
-------	-------	--------------

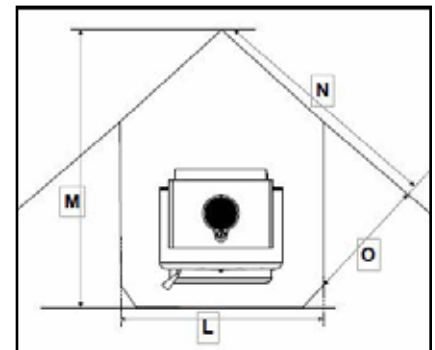
\*Measurement is taken from fuel door opening

Minimum Overall Depth (Y) of Floor Protector						
Unit	Residential Close Clearance		Mobile Home Close Clearance		Alcove	
F5200	Y	Z	Y	Z	Y	Z
USA	51-1/8" (1299mm)	8" (203mm)	51-1/8" (1299mm)	8" (203mm)	51-1/8" (1299mm)	8" (203mm)
Canada	53-1/8" (1349mm)	8" (203mm)	53-1/8" (1349mm)	8" (203mm)	53-1/8" (1349mm)	8" (203mm)

The rear clearance to combustibles is less than 6" (for corner installations the rear corners may be angled to take advantage of the closer clearances).

Minimum Overall Depth (Y) of Floor Protector - Corner Hearth				
Hearth Depth				
F5200	L	M	N	O
Canada	36" (914mm)	69-1/2" (1765mm)	57-5/8" (1464mm)	32-3/16" (818mm)
USA	36" (914mm)	67-1/2" (1714mm)	56-1/4" (1429mm)	30-3/4" (781mm)

Reference only when hearth pad is installed to rear wall at minimum pipe clearances.  
Residential Close Clearance (To be installed with required pipe components)



## MOBILE HOME INSTALLATION

Once you have properly marked the position of your unit and the floor protection as outlined in the Residential Installation items #1 through #8, a supply of fresh air has to be supplied to your unit.

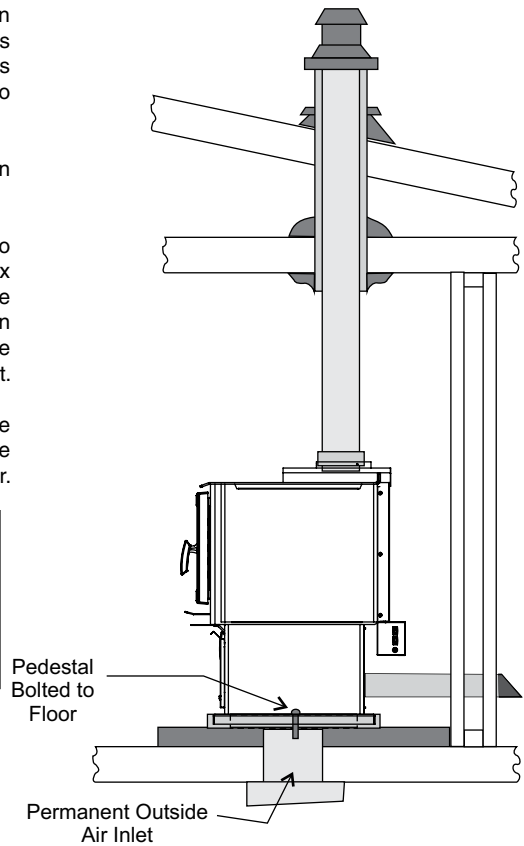
See Optional Outside Air Kit instructions in this manual.

Place your unit in position and secure it to the floor using two lag bolts 3/8" (10mm) x 3-1/2" (89mm) through the two holes inside the pedestal base. It is important to maintain the structural integrity of the Mobile Home floor, walls and roof when installing your unit.

For Mobile Home units installed in the U.S. the unit must be grounded using a #8 ground wire with approved termination and star washer.

**CAUTION: At no time use unlabelled parts, or substitute parts made for another chimney system.**

**Install as per chimney manufacturer's installation instructions.**



**WARNING: Operate only with door fully closed - open feed door to feed fire only.**

1. Identify the position of the outside air damper by the orientation of the metal handle that rests outside the galvanized pipe. The metal handle and the damper disc are in line with each other. This means that if the metal handle is in a horizontal position, the damper is flat and fully open.
2. Open the damper fully whenever you start a fire. This will allow the outside air to be drawn in the pedestal base eliminating any potential smoke escaping the stove and entering the room. (Negative air pressure)

In addition to standard installation instructions the following requirements are mandatory for installation in a mobile home.

1. The stove must be permanently bolted to the floor of the Mobile Home using the floor screws provided.
2. The stove must have a permanent outside air source for combustion.
3. The stove must be electrically grounded to the steel chassis of the Mobile Home.
4. A listed double-wall connector chimney system, roof thimble, spark arrestor and roof flashing kit suitable for use in Mobile Homes must be used.
5. If the chimney exits the Mobile Home at a location other than through the roof, and exits at a point 7ft. (2130mm) or less above the ground level on which the Mobile Home is positioned, a guard or method of enclosing the chimney shall be fitted at the point of exit for a height up to 7ft. (2130mm).
6. The chimney shall be attached directly to the room heater and shall extend at least 3 ft. (914mm) above the part of the roof through which it passes. The top of the chimney should project at least 2ft. (610mm) above the highest elevation of any part of the Mobile Home within 10 ft. (3048mm) of the chimney.
7. The chimney system shall comply with Local Requirements.
8. Any openings in a chimney guard where required must not permit the entrance of 3/4" (19mm) diameter rod.
9. **CAUTION: THE STRUCTURAL INTEGRITY OF THE MOBILE HOME ROOF, FLOOR, WALLS AND CEILING MUST BE MAINTAINED.**
10. Check any other local building code as other local codes may apply.
11. **WARNING: DO NOT INSTALL IN A SLEEPING ROOM OF A MOBILE HOME.**
12. Use silicone to create an effective vapour barrier at the location where the chimney or other component penetrates to the exterior of the structure.