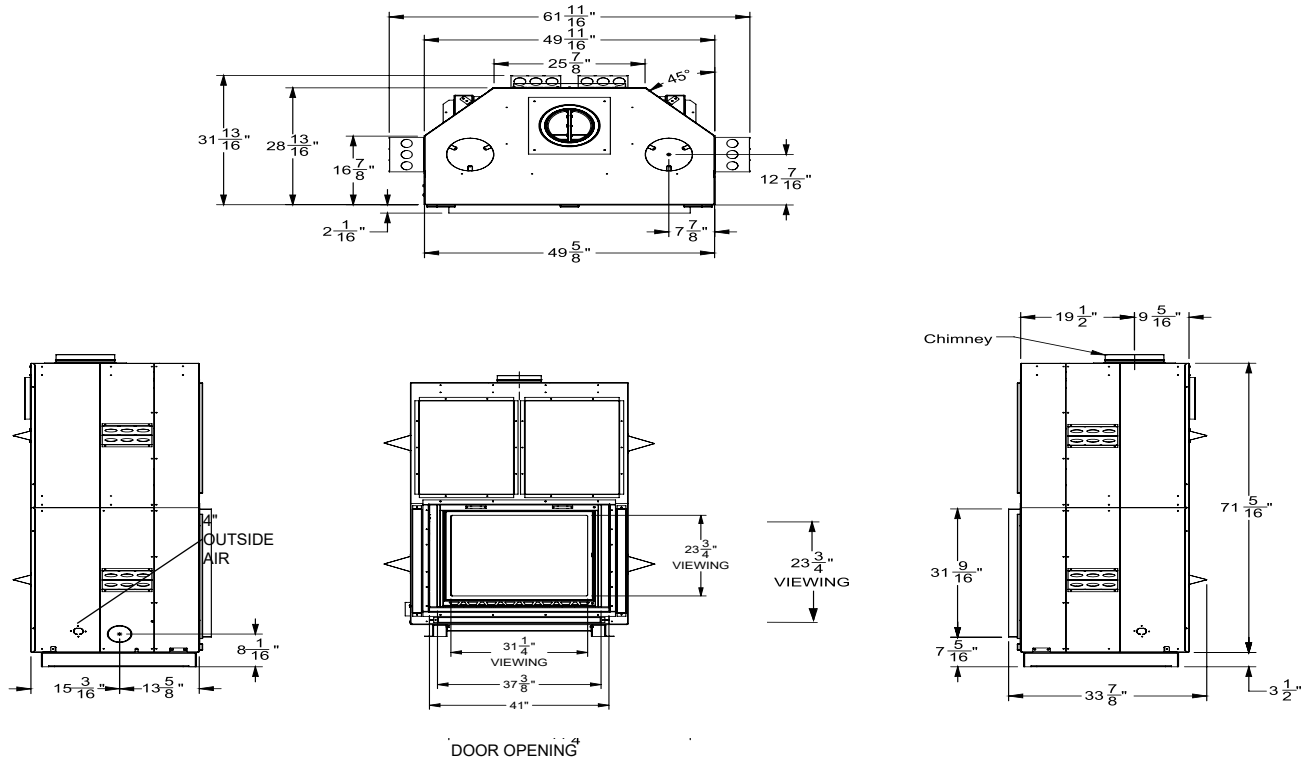


## CF780 Wood Fireplace

Model	CF780
Flue Size	8" (203mm)
Log Size	18" (457mm)
Shipping Weight	921lbs (418kg)
US Biomass Tax Rebate Eligible	No



### UNIT DIMENSIONS



\* The fireplace bottom standoff is required if the fireplace is installed on a combustible floor surface or on a combustible floor structure or on a combustible raised platform. See section "INSTALLATION: Flooring Requirements" for all the details regarding the requirements to use the fireplace bottom standoff.

\* The chase cavity requires four (4) ventilation grills which are included with the unit. Each grill requires a minimum of 28.5 square inches of open area.  
Two (2) at ceiling level and two (2) at floor level. Grills must be installed and are supplied with the unit.

Optional: If installing grills other than the ones supplied, you must adhere to the minimum open area. For example, you can install two (2) large grills, one at ceiling level and one at floor level, but each grill must be 57 square inches of open area.

\*\* Shown with Anchor Plate.

The anchor plate height will vary depending on the specific chimney manufacturer. See specific chimney manufactured product catalogue for complete details.

## CLEARANCES

**TABLE 2 - COMBUSTIBLE MANTEL CLEARANCES**

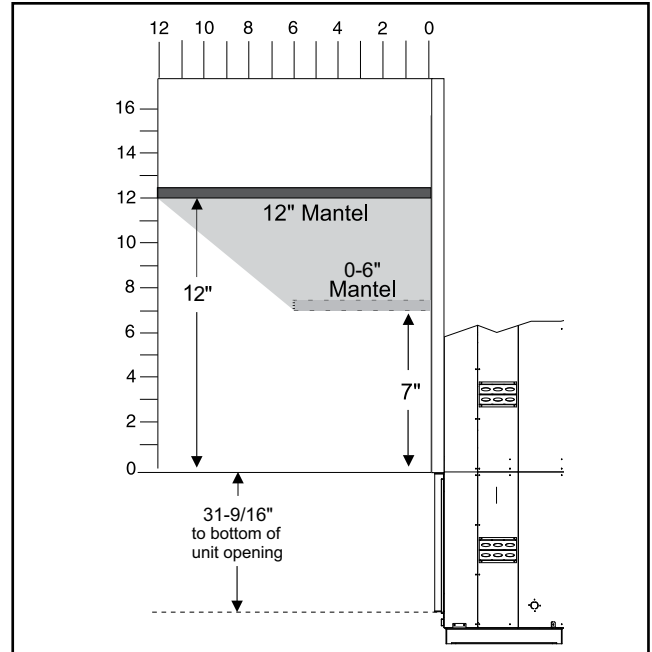
0" to 6"	7"
7" to 12"	12"

A combustible mantel shelf **MUST NOT** be installed less than 7" above the top of the fireplace opening. A combustible mantel shelf **MUST NOT** be deeper than 12".

For combustible mantel shelf depths between 6" and 12", simply install the mantel shelf at a distance above the fireplace opening corresponding to the mantel shelf depth.

If the combustible mantel shelf varies in depth, it has to be installed so that its thickest part is not installed lower than the corresponding minimum installation height. Also, the thinnest point of the mantel shelf must not be installed lower than the minimum installation height corresponding to its depth.

Refer to the "INSTALLATION: Mantel" section.



**TABLE 3 - MANTEL LEG CLEARANCES**

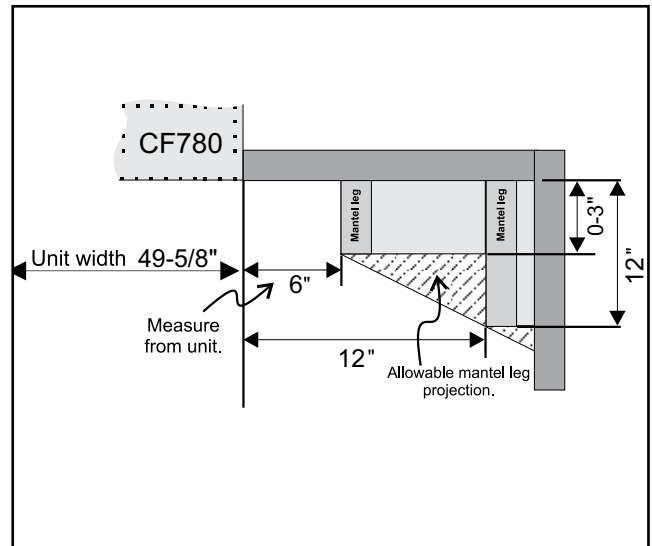
Maximum Mantel Leg Depth	Minimum Installation Height
0" to 3"	6"
12"	12"

A combustible mantel leg **MUST NOT** be installed less than 6" from either side of the fireplace opening. A combustible mantel leg **MUST NOT** be deeper than 12".

For combustible mantel leg depths between 6" and 12", you can calculate the minimum installation distance between the two mantel legs given as follows:

If the combustible mantel leg varies in depth, it has to be installed so that its thickest part is not installed closer than the corresponding minimum installation distance. Also, the thinnest point of the mantel leg must not be installed closer than the minimum installation distance corresponding to its depth.

Refer to the "INSTALLATION: Mantel" section.



## MANTEL

Masonry and other non-combustible mantels (shelf and posts) can be placed anywhere around the fireplace opening.

The only combustible material accepted on the facing of the fireplace is for a mantel (shelf and posts).

If you need to attach the mantel to the front of the fireplace refer to page 23 to see where screws are permitted on the front of the fireplace facing.