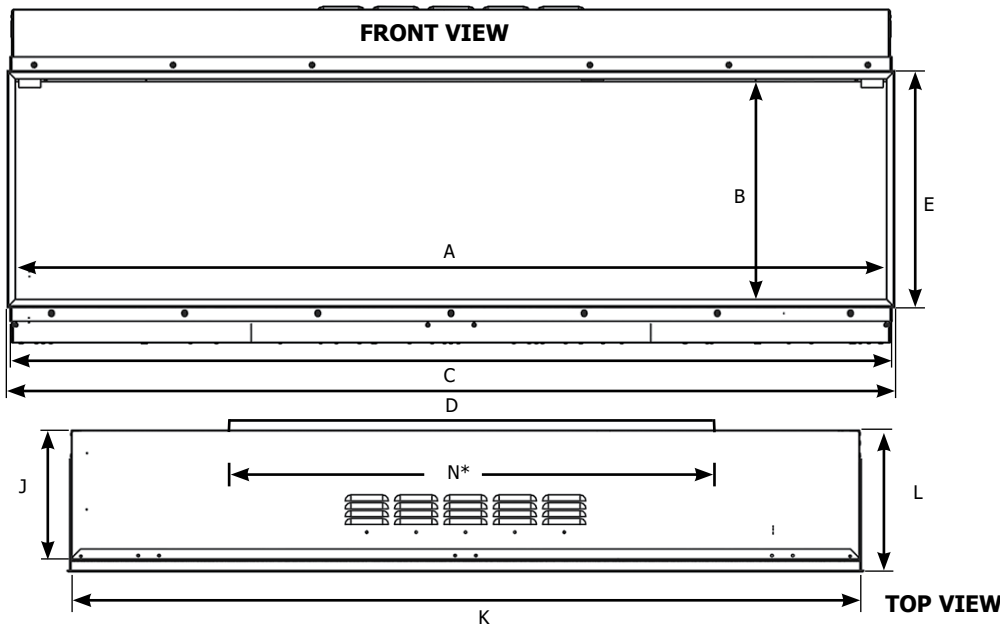


Skope E110-2/E135-2/E150-2/E195-2 Electric Fireplace

MODELS	Max. Power Consumption
E110-2	120VAC (1500W)
E135-2	120VAC (1500W)
E150-2	120VAC (1500W)
E195-2	120VAC (1500W)



Unit Dimensions



Location of power

SKOPE	A	B	C	D	E	F
	(inch/mm)					
E110-2	43-1/2" (1105 mm)	14-15/16" (380 mm)	44-1/4" (1123 mm)	44-5/8" (1133 mm)	16-1/16" (408 mm)	4-3/8" (111 mm)
E135-2	53-3/8" (1355 mm)	14-15/16" (380 mm)	54-1/16" (1373 mm)	54-7/16" (1383 mm)	16-1/16" (408 mm)	4-3/8" (111 mm)
E150-2	59-1/4" (1505 mm)	14-15/16" (380 mm)	59-15/16" (1523 mm)	60-3/8" (1533 mm)	16-1/16" (408 mm)	4-3/8" (111 mm)
E195-2	77" (1955 mm)	14-15/16" (380 mm)	77-11/16" (1973 mm)	78-1/16" (1983 mm)	16-1/16" (408 mm)	4-3/8" (111 mm)

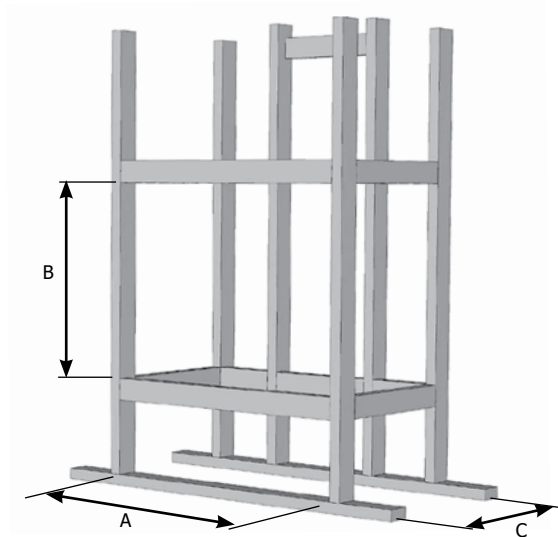
SKOPE	G	H	I	J	K	L	M	N
	(inch/mm)							
E110-2	15-11/16" (398 mm)	2-5/8" (67 mm)	22-3/4" (578 mm)	9-15/16" (252 mm)	44" (1117 mm)	10-11/16" (272 mm)	17-1/2" (445 mm)	33-15/16" (862 mm)
E135-2	15-11/16" (398 mm)	2-5/8" (67 mm)	22-3/4" (578 mm)	9-15/16" (252 mm)	53-13/16" (1367 mm)	10-11/16" (272 mm)	17-1/2" (445 mm)	33-15/16" (862 mm)
E150-2	15-11/16" (398 mm)	2-5/8" (67 mm)	22-3/4" (578 mm)	9-15/16" (252 mm)	59-3/4" (1517 mm)	10-11/16" (272 mm)	17-1/2" (445 mm)	50-1/2" (1283 mm)
E195-2	15-11/16" (398 mm)	2-5/8" (67 mm)	22-3/4" (578 mm)	9-15/16" (252 mm)	77-7/16" (1967 mm)	10-11/16" (272 mm)	17-1/2" (445 mm)	69-3/8" (1764 mm)

*Wall Mounting Bracket

Framing/Finishing Instructions

FRONT VIEWING FACE INSTALLATION (SINGLE SIDED)

NOTE: Framing may be constructed of combustible material (i.e. 2 x 4/2 x 6) and does not require steel studs.



NOTE: The appliance must be installed on a flat, solid, continuous surface (e.g. wood, metal, concrete), which must be the full width and depth of appliance.

This may be the floor, or raised up on a platform to enhance its visual impact.

Note: Measurement (B) does not include height of platform base if raised off the ground.

Example 1/2"(13 mm) thick platform base = 23-3/4" (603 mm) framing height.

SKOPE	A	B	C (minimum dimension)
	(inches/mm)		
E110-2	45-1/16" (1145 mm)	23-1/4" (590 mm)	10-7/16" (265 mm)
E135-2	54-15/16" (1395 mm)	23-1/4" (590 mm)	10-7/16" (265 mm)
E150-2	60-13/16" (1545 mm)	23-1/4" (590 mm)	10-7/16" (265 mm)
E195-2	78-9/16" (1995 mm)	23-1/4" (590 mm)	10-7/16" (265 mm)

Framing/Finishing Instructions

COMPLETING THE INSTALLATION (SINGLE SIDED)

The appliance is designed to be used with 1/2 in. (13 mm) wall sheathing materials such as drywall, plywood, wood composites, or non-combustible materials with the supplied decorative trim. Thicker materials may also be used.

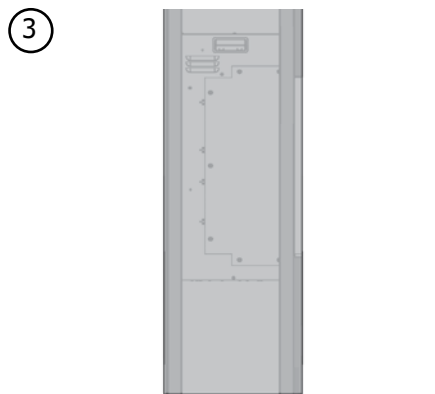
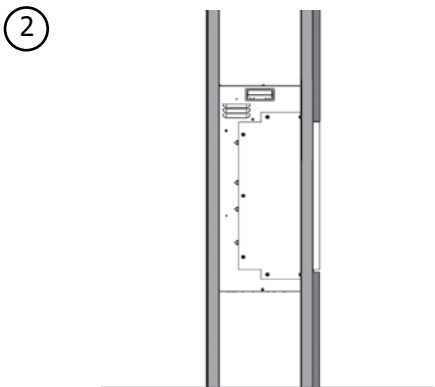
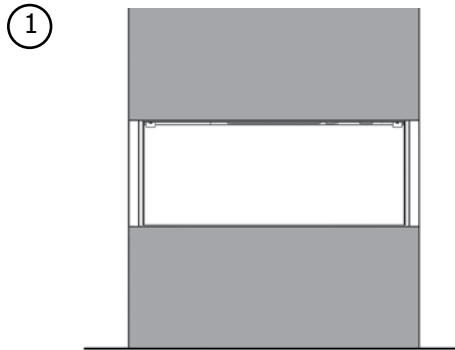
Thicker finishing materials would need to go around the perimeter of the decorative finishing trim. Ensure there is a minimum of 1/16" (3 mm) gap around the perimeter of the decorative trim to ensure safe removal to clean glass or for servicing appliance. See technical specifications in this manual for overall sizes of decorative trim.

Facing and/or finishing materials must never overhang into the glass opening.

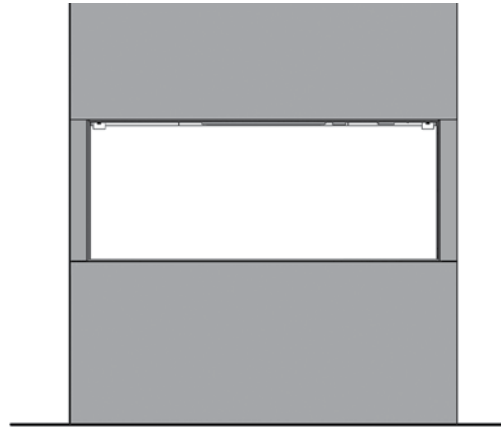
Facing materials may be combustible or non-combustible.

To cover cut/ exposed edges of the combustible facing material or any other finishing materials being used we suggest using J Style Trim or Metal Corner Bead purchased at your local hardware store.

Do not penetrate any screws into the body face.



④ Completed Install.



PAINTING

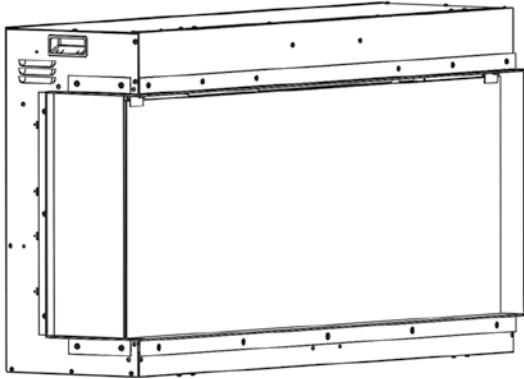
If desired finishing includes a painted wall, 100% acrylic latex, oil-based, or standard acrylic paints may be used. Follow paint manufacturer's instructions for paint and primer application.

Framing/Finishing Instructions

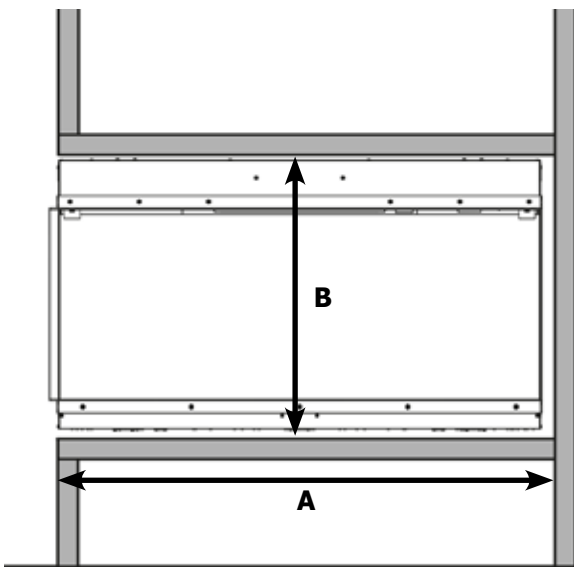
TWO SIDED VIEW INSTALLATION (LEFT/RIGHT SIDED)

Note: If glass is going to be on other side, simply reverse framing methods. Framing shown with small glass on left hand side.

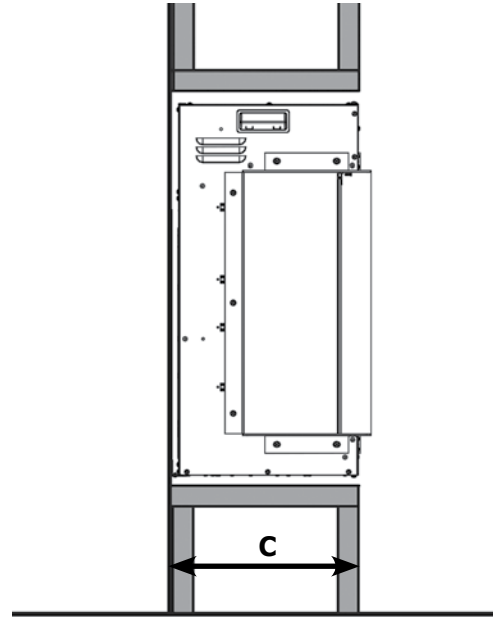
①



②



③



NOTE: The appliance must be installed on a flat, solid, continuous surface (e.g. wood, metal, concrete) which must be the full width and depth of appliance.

This may be the floor, or raised up on a platform to enhance its visual impact.

Note: Measurement (B) does not include height of platform base if raised off the ground.

Example 1/2" (13 mm) thick platform base = 25-3/4" (654 mm) framing height.

SKOPE	A	B	C (minimum dimension)
E110-2	44-11/16" (1135 mm)	23-1/4" (590 mm)	10-7/16" (265 mm)
E135-2	54-9/16" (1386 mm)	23-1/4" (590 mm)	10-7/16" (265 mm)
E150-2	60-7/16" (1535 mm)	23-1/4" (590 mm)	10-7/16" (265 mm)
E195-2	78-3/16" (1986 mm)	23-1/4" (590 mm)	10-7/16" (265 mm)

COMPLETING THE INSTALLATION
TWO SIDED VIEW INSTALLATION (LEFT/RIGHT CORNER)

The appliance is designed to be used with 1/2 in. (13 mm) wall sheathing materials such as drywall, plywood, wood composites, or non-combustible materials.

Thicker materials may also be used.

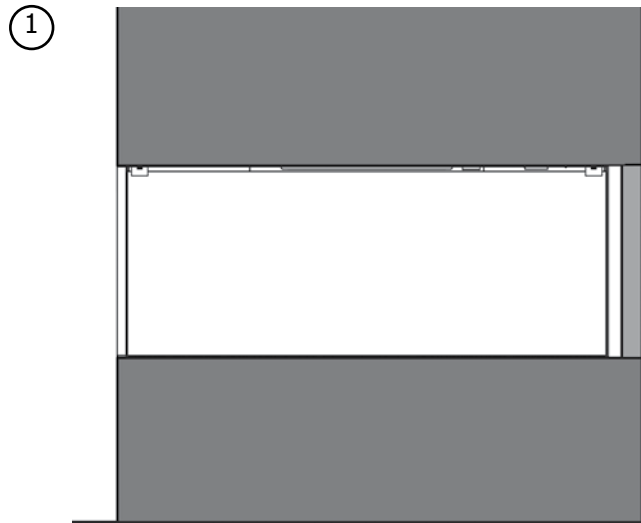
Note: The decorative finishing trim is not used when installed as a two sided view and will need to be recycled.

Facing and/or finishing materials must never overhang into the glass opening.

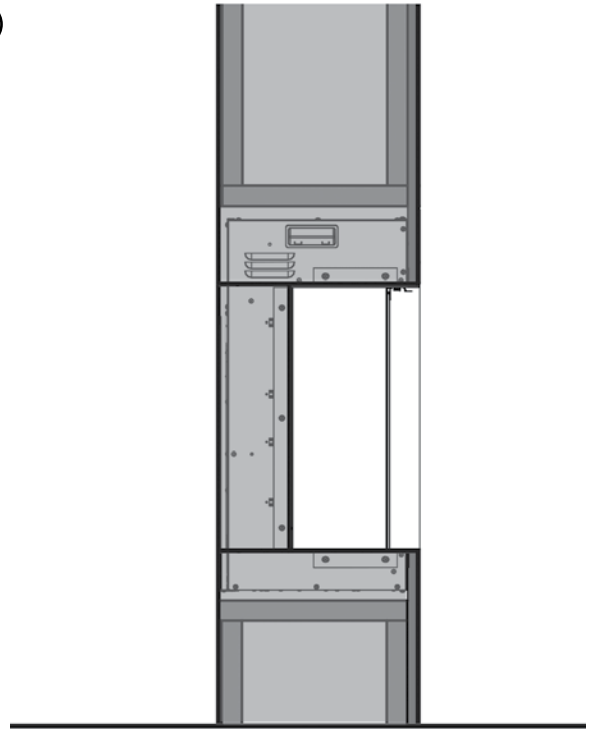
Facing materials may be combustible or non-combustible.

To cover cut/ exposed edges of the combustible facing material or any other finishing materials being used we suggest using J Style Trim or Metal Corner Bead purchased at your local hardware store.

Do not penetrate any screws into the body face.

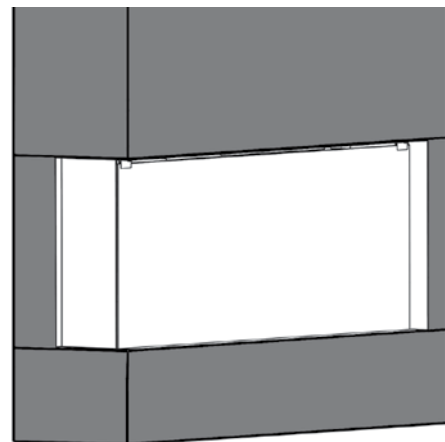


③



④

Completed Install.



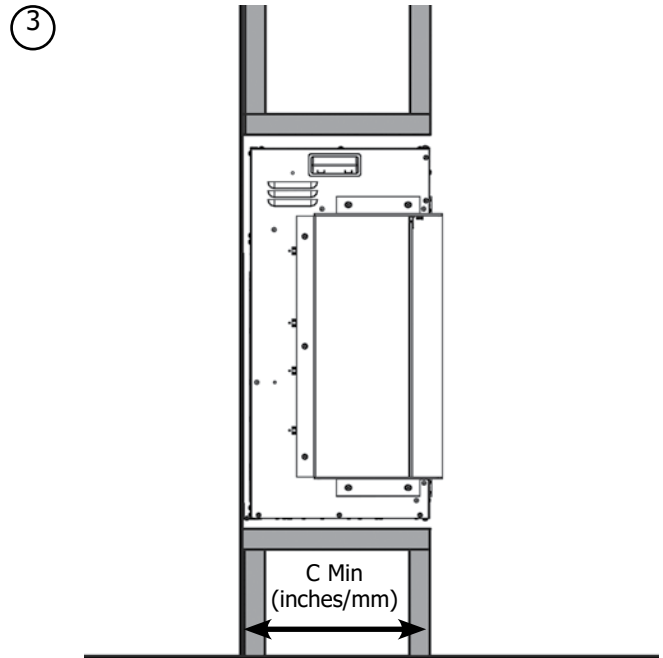
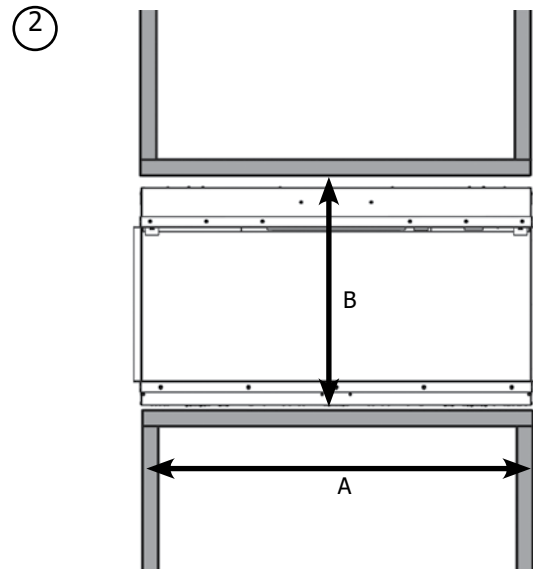
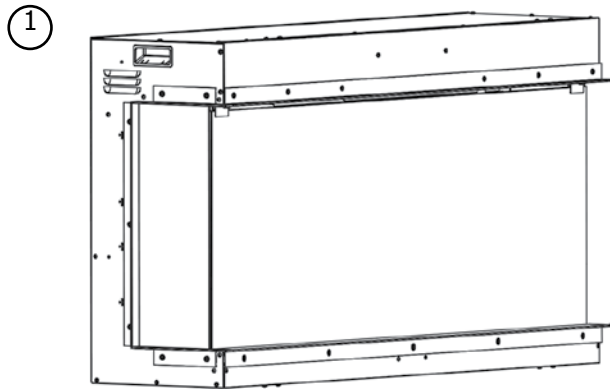
PAINTING

If desired finishing includes a painted wall, 100% acrylic latex, oilbased, or standard acrylic paints may be used.

Follow paint manufacturer's instructions for paint and primer application.

Framing/Finishing Instructions

THREE SIDED VIEW INSTALLATION



NOTE: The appliance must be installed on a flat, solid, continuous surface (e.g. wood, metal, concrete), which must be the full width and depth of appliance. This may be the floor, or raised up on a platform to enhance its visual impact.

Note: Measurement (B) does not include height of platform base if raised off the ground. Example 1/2" (13 mm) thick platform base = 23 3/4" (603 mm) framing height.

SKOPE	A	B	C
	(inches/mm)		
E110-2	44-13/16" (1138 mm)	23-1/4" (590 mm)	10-7/16" (265 mm)
E135-2	54-5/8" (1387 mm)	23-1/4" (590 mm)	10-7/16" (265 mm)
E150-2	60-1/2" (1537 mm)	23-1/4" (590 mm)	10-7/16" (265 mm)
E195-2	78-1/4" (1988 mm)	23-1/4" (590 mm)	10-7/16" (265 mm)

Framing/Finishing Instructions

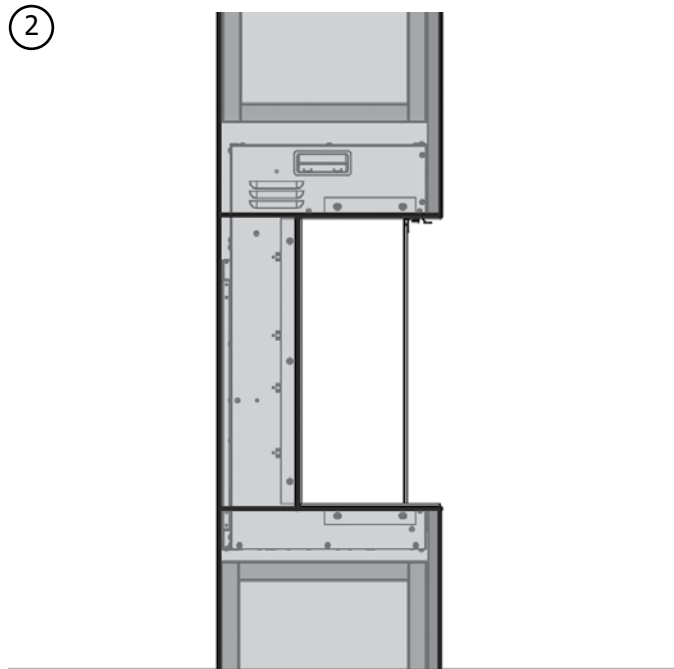
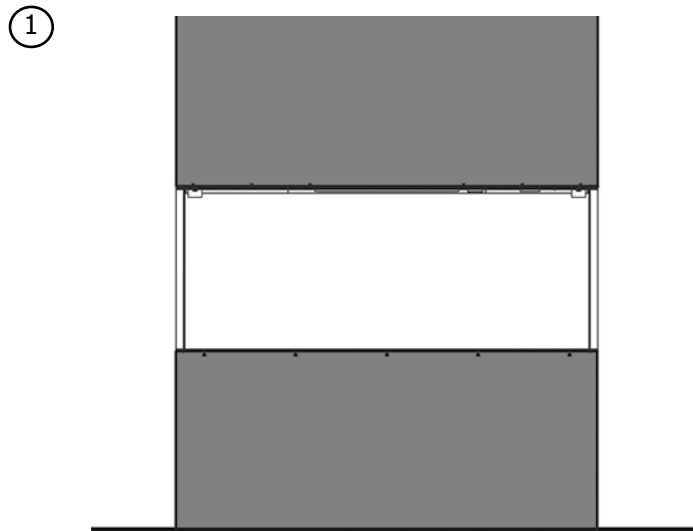
COMPLETING THE INSTALLATION THREE SIDED VIEW INSTALLATION

The appliance is designed to be used with 1/2 in. (13 mm) wall sheathing materials such as drywall, plywood, wood composites, or non-combustible materials. Thicker materials may also be used. Note: The decorative finishing trim is not used when installed as a three sided view and will need to be recycled.

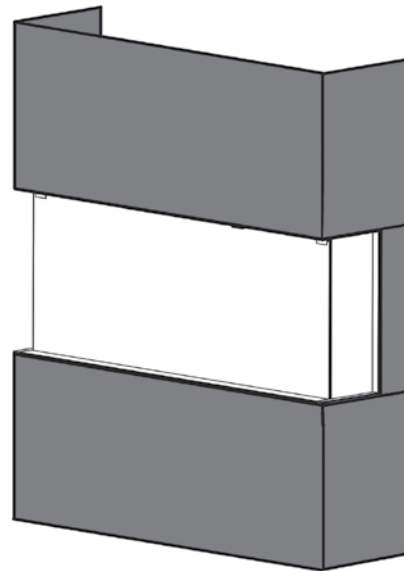
Facing and/or finishing materials must never overhang into the glass opening.

Facing materials may be combustible or non-combustible.

To cover cut/ exposed edges of the combustible facing material or any other finishing materials being used we suggest using J Style Trim or Metal Corner Bead purchased at your local hardware store. Do not penetrate any screws into the body face.



③ Completed Install.



PAINTING

If desired finishing includes a painted wall, 100% acrylic latex, oilbased, or standard acrylic paints may be used.

Follow paint manufacturer's instructions for paint and primer application.