

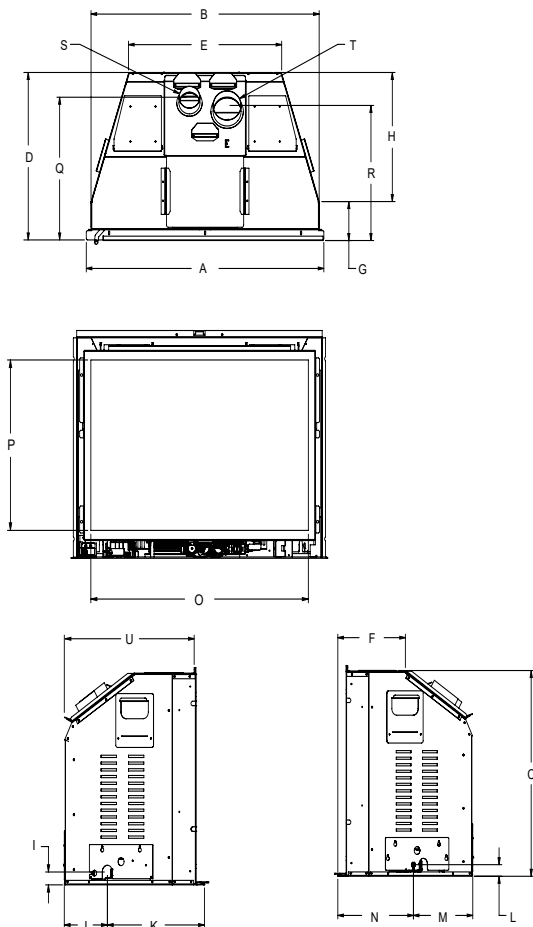
Regency® Gi33LE Gas Insert

MODEL	Gi33LE-NG	Gi33LE-LP
Fuel Type	Natural Gas	Propane
Minimum Supply Pressure	5" W.C. (1.25 kPa)	11" W.C. (2.74 kPa)
Manifold Pressure - High	3.8" W.C. (0.94 kPa)	10.5" W.C. (2.62 kPa)
Manifold Pressure - Low	1.1" W.C. (0.27 kPa)	2.9" W.C. (0.72 kPa)
Orifice Size -Altitude 0-4500 ft	#33 DMS	#50 DMS
Minimum Input (0-4500 ft.)	20,500 Btu/h (6.01 kW)	20,000 Btu/h (5.86 kW)
Maximum Input (0-4500 ft.)	38,500 Btu/h (11.28 kW)	36,500 Btu/h (10.7 kW)
Vent Sizing	3"x 4" Co-linear	3"x 4" Co-linear
CSA P.4.1 Fireplace Efficiency (FE)	64.30%	64.32%



Fireplace Dimensions

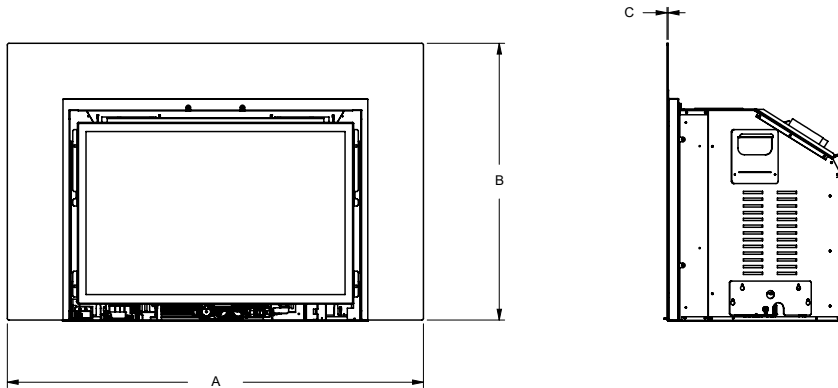
The minimum fireplace clearances and dimensions for the Regency gas insert are shown in the following diagrams:



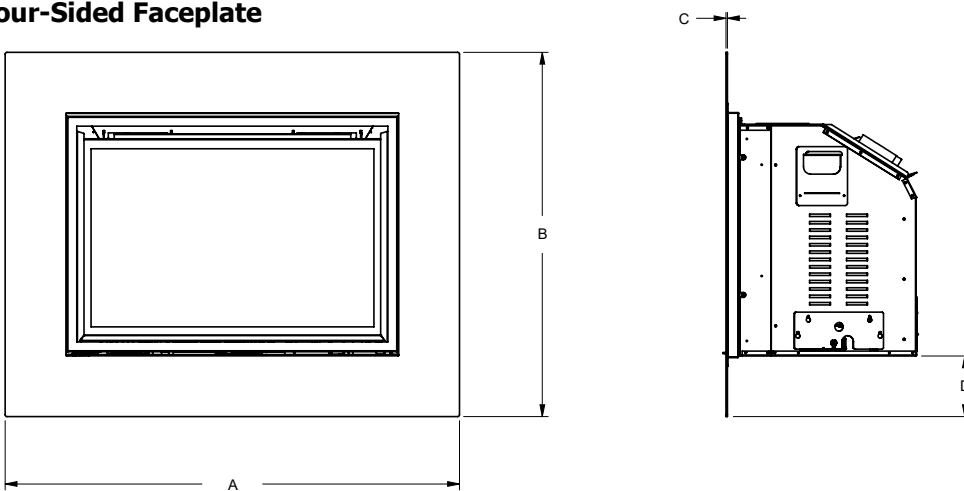
Letter	Description	Dimensions (inches)	Dimensions (mm)
A	Width	33-7/8"	860 mm
B	Outerbox Width	32-1/2"	826 mm
C	Outerbox Height	23-5/8"	601 mm
D	Outerbox Depth	19-1/4"	489 mm
E	Outerbox Rear Width	21-7/8"	555 mm
F	Front to Top Taper	9-5/8"	245 mm
G	Front to Side Taper	4-1/2"	114 mm
H	Rear to Side Taper	14-13/16"	377 mm
I	Gas Inlet Height	1-7/16"	36 mm
J	Gas Inlet Rear Depth	5-15/16"	150 mm
K	Gas Inlet Front Depth	13-5/16"	338 mm
L	Electrical Access Height	1-5/16"	34 mm
M	Electrical Access Rear Depth	8-7/16"	215 mm
N	Electrical Access Front Depth	10-3/4"	274 mm
O	Glass Viewing Area Width	28-11/16"	729 mm
P	Glass Viewing Area Height	18-1/8"	460 mm
Q	Front to Intake	16-7/16"	417 mm
R	Front to Exhaust	15-1/2"	394 mm
S	Intake Diameter	3"	76 mm
T	Exhaust Diameter	4"	102 mm
U	Depth	18"	457 mm

Faceplate Dimensions

Three-Sided Faceplate



Four-Sided Faceplate



Faceplate	Dimensions			
	Width (A)	Height (B)	Depth (C)	Bottom Height (D)
Regular Faceplate	46-5/16" (1176 mm)	30-7/8" (784 mm)	1-5/16" (33 mm)	-
Regular Faceplate w/ Premium Surround	46-3/4" (1188 mm)	31-1/8" (790 mm)	1-11/16" (43 mm)	-
Flush Faceplate	46-1/8" (1171 mm)	30-3/4" (782 mm)	1/8" (3 mm)	-
Flush Faceplate w/ Traditional Surround	51-5/8" (1311 mm)	30-3/4" (782 mm)	2-3/16" (56 mm)	-
4-Sided Flush Faceplate	46-1/8" (1171 mm)	37-1/16" (942 mm)	1/8" (3 mm)	6" (152 mm)
Finishing Trim	35-15/16" (913 mm)	27-11/16" (653 mm)	1/16" (2 mm)	-
4-Sided Finishing Trim	35-15/16" (913 mm)	26-15/16" (685 mm)	1/16" (2 mm)	1-1/8" (29 mm)
Oversized Backing Plate	50-1/4" (1277 mm)	33" (838 mm)	1/8" (3 mm)	-
3-Sided Custom Backing Plate	38" - 56-7/8" (965 mm - 1445 mm)	26-3/4" - 44-7/8" (680 mm - 1140 mm)	1/8" (3 mm)	-
4-Sided Custom Backing Plate	38" - 69" (965 mm - 1753 mm)	29" - 45" (737 mm - 1143 mm)	1/8" (3 mm)	2-1/8" minimum (54 mm min.)

Minimum Clearances to Combustibles

The clearances listed below are minimum distances unless otherwise stated.

A major cause of fires is failure to maintain required clearances (air space) to combustible materials. It is of the greatest importance that this decorative gas appliance is installed only in accordance with these instructions.

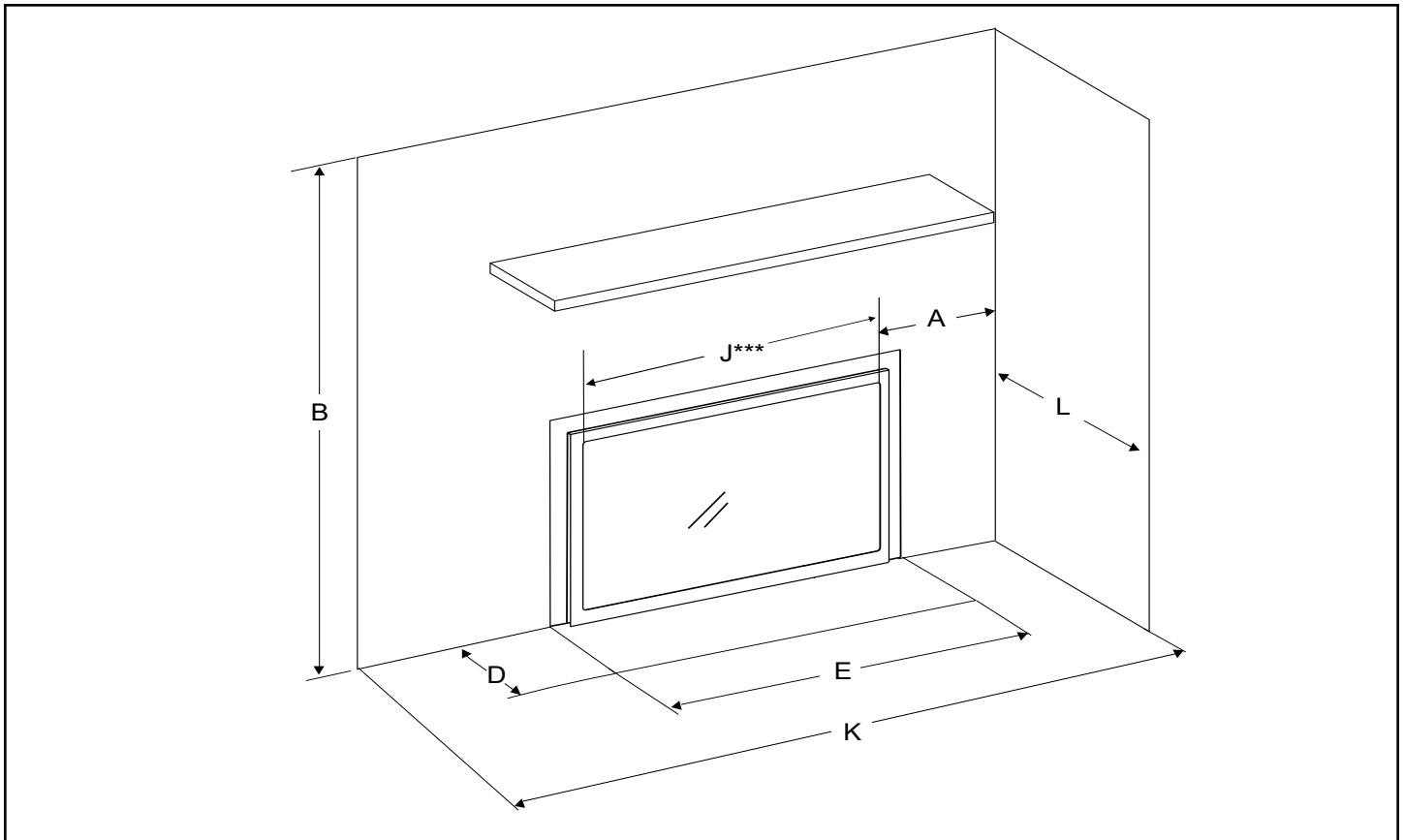


Diagram 1

Clearance	Dimension	Measured From
A: Sidewall	8" / 203 mm	***From inside edge of faceplate / doors
B: Ceiling	60" / 1524 mm	From base of unit
D: Min. Hearth Depth	12" / 305 mm	Not required if unit raised 2" (51 mm) off the floor.
E: Min. Hearth Width	36" / 914 mm	Not required if unit raised 2" (51 mm) off the floor.
K: Min. Alcove Width	56" / 1422 mm	
L: Max. Alcove Depth	36" / 914 mm	From the front of the unit.
M: Mantel Deflector	3-1/2" / 89 mm*	

NOTES

- A 36" (914 mm) wide x 12" (305 mm) deep, non-combustible hearth is required in front of the appliance unless the unit is raised 2" (51 mm) off the floor.
- *An optional 3-1/2" (89 mm) mantel deflector reduces the mantel height to 12.5" (318 mm) from the top of the unit @ 1" (25 mm) depth.
- (J): ***Measured from the inside edge of the faceplate/doors - reference only: 30-1/4" (768 mm)

Mantel Clearances Without Mantel Deflector

Mantel Clearances with 2-1/2" Mantel Deflector

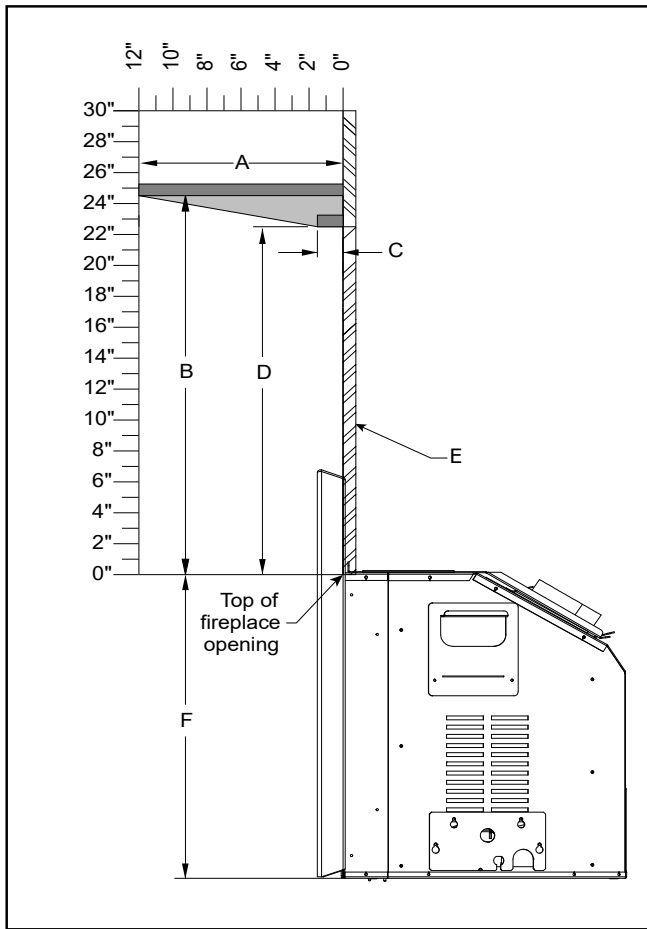


Diagram 2

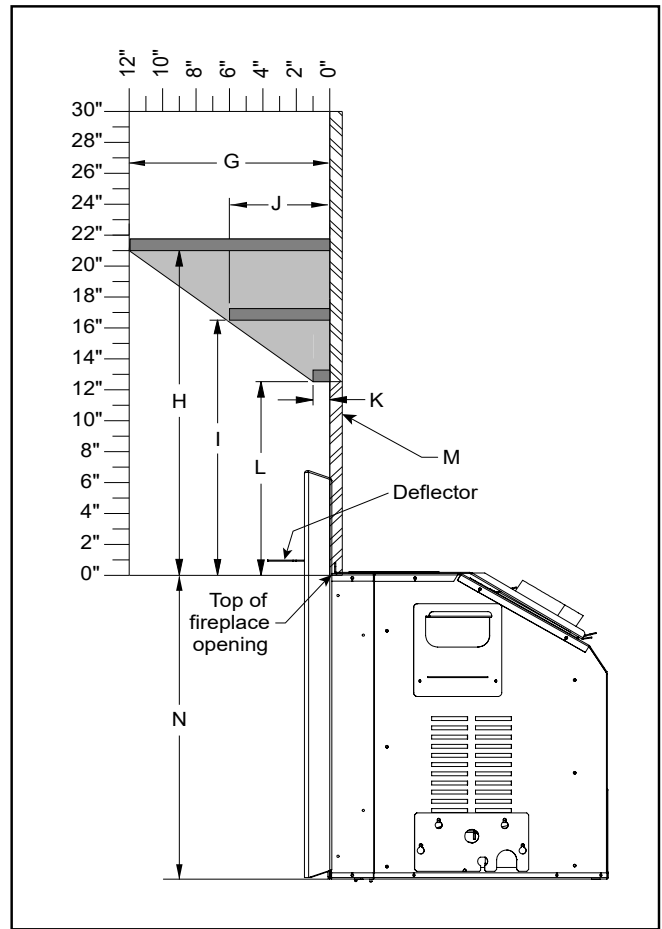


Diagram 3

A	12" (305 mm)
B	24-1/2" (610 mm)
C	1-1/2" (38 mm)
D	22-1/2" (572 mm)

E	Non Combustible Materials
F	23-1/2" (597 mm) to base of unit

G	12" (305 mm)
H	21" (533 mm)
I	16-1/2" (420 mm)
J	6" (152 mm)

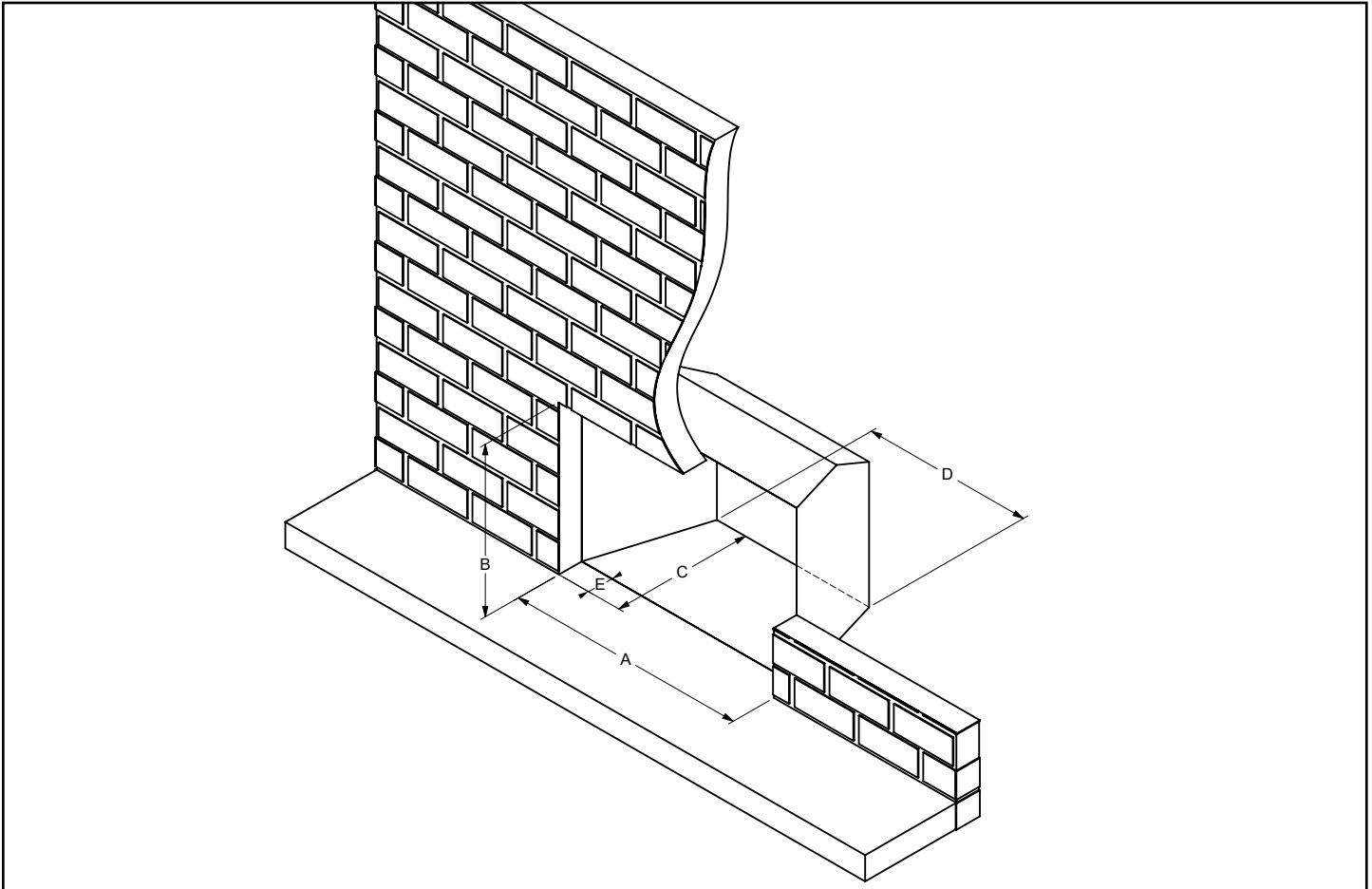
K	1" (25 mm)
L	12-1/2" (318 mm)
M	Non Combustible
N	23-1/2" (597 mm) to base of unit

WARNING Although this appliance passes safety certification, the hearth in front of the fireplace becomes very hot when the fireplace heats. Do not use the hearth as a seat or shelf.

NOTES

- A 3-1/2" (89 mm) mantel deflector reduces mantel height to 12.5" (318 mm) from the bottom of the unit at 1" (25 mm) depth.
- A non-combustible mantel may be installed at a lower height if the framing is made of metal studs covered with a non-combustible board. The non-combustible mantel, when installed at a lower overall height, may not be lower than 6" (152 mm) from the top of the fireplace opening.
- All material used must be non-combustible.

Minimum Fireplace Opening Sizes with Varying Faceplate/Backing Plate Options

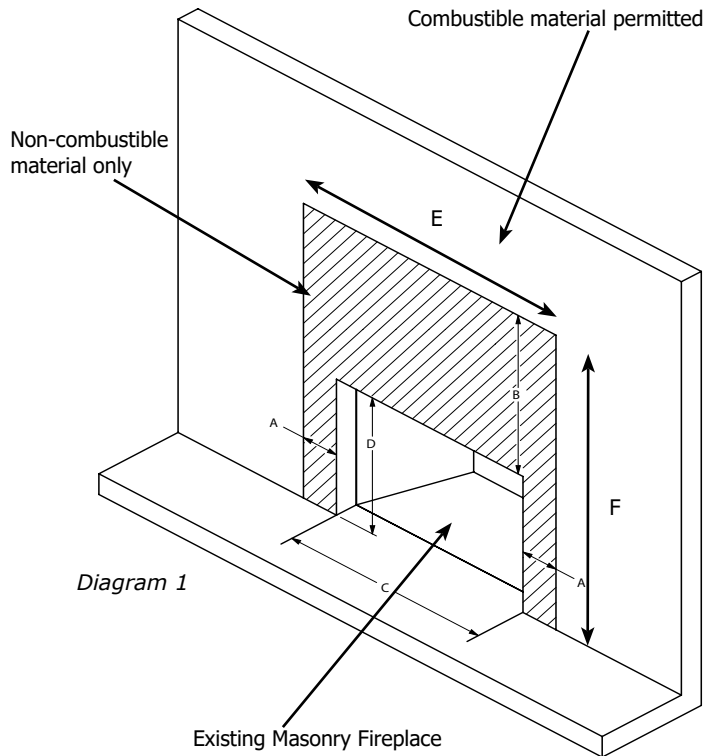


Faceplate	Dimensions				
	Minimum Install Width (A)	Minimum Install Height (B)	Minimum Install Depth (C)	Minimum Rear Width (D)	Taper Depth (E)
Regular Faceplate	33" (838 mm)	24" (610 mm)	18" (457 mm)	22-3/8" (568 mm)	3-1/2" (89 mm)
Regular Faceplate w/ Backing Plate	34-7/8" (886 mm)	25-1/4" (641 mm)	17-7/8" (454 mm)	22-3/8" (568 mm)	4-1/8" (105 mm)
Regular Faceplate w/ Premium Surround	33" (838 mm)	24" (610 mm)	17-3/4" (451 mm)	22-3/8" (568 mm)	3-3/16" (81 mm)
Regular Faceplate w/ Premium Surround and Backing Plate	34-7/8" (886 mm)	25-1/4" (641 mm)	17-5/8" (448 mm)	22-3/8" (568 mm)	4-1/8" (105 mm)
Flush Faceplate	34-1/8" (867 mm)	24-7/8" (632 mm)	19-3/16" (487 mm)	22-3/8" (568 mm)	4-1/2" (114 mm)
Flush Faceplate w/Traditional Surround	33" (838 mm)	24" (610 mm)	17-1/8" (435 mm)	22-3/8" (568 mm)	2-1/2" (64 mm)
Flush Faceplate w/Traditional Surround and Backing Plate	34-7/8" (886 mm)	25-1/4" (641 mm)	17" (432 mm)	22-3/8" (568 mm)	4-1/8" (105 mm)
Flush Faceplate w/ Backing Plate	34-7/8" (886 mm)	25-1/4" (641 mm)	19-1/8" (486 mm)	22-3/8" (568 mm)	4-3/8" (111 mm)
4-Sided Flush Faceplate	34-1/8" (867 mm)	25" (635 mm)	19-1/4" (489 mm)	22-3/8" (568 mm)	4-1/2" (114 mm)
Finishing Trim	34-3/16" (868 mm)	24-7/8" (632 mm)	19-1/4" (489 mm)	22-3/8" (568 mm)	4-1/2" (114 mm)
Finishing Trim w/ Backing Plate	34-7/8" (886 mm)	25-1/4" (641 mm)	19-3/16" (487 mm)	22-3/8" (568 mm)	4-1/8" (105 mm)
4-Sided Finishing Trim	34-3/16" (868 mm)	25" (635 mm)	19-1/4" (489 mm)	22-3/8" (568 mm)	4-1/2" (114 mm)

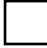

Using Steel Studs and Concrete Board Over Masonry Brick Fireplace

The masonry front brick facing can be removed and replaced with non-combustible materials such as steel studs and concrete board/dura rock/micor board as per diagram 1, only if safe to do so. Steel stud may also be placed in front of the masonry brick if left in place. This is the preferred method depending on the condition of the masonry brick fireplace.

The opening between the front of the masonry firebox and non-combustible materials such as steel studs must be sealed so heat cannot run between the face of the masonry fireplace and the refacing materials. Only finishing materials such as tile, stone, brick, or similar materials that are non-combustible may be used. Use materials that are uniform so that when the unit is positioned, there are no visible gaps on the sides or top of the surround.



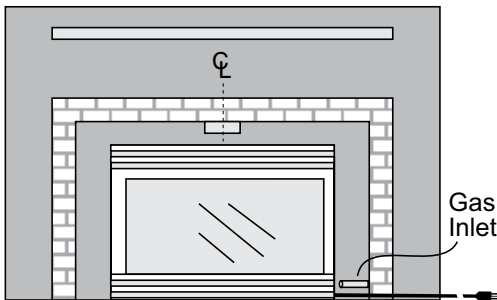
DIMENSIONS	
A - Horizontal clearance	8" (203 mm)
B - Vertical clearance	25-1/4" (642 mm)
C - Opening Width	34" (864 mm)
D - Opening Height	24-3/4" (629 mm)
E - Minimum Total Width	50" (1270 mm)
F - Minimum Total Height	50" (1270 mm)

- Combustible Facing Over Combustible Framing 
- Non-Combustible Facing Over Non-Combustible Framing 

Gas Connection

WARNING Only people licensed to work with gas piping may make the gas connections to this appliance.

1. If the appliance is installed into an existing chimney system, thoroughly clean the masonry or factory-built fireplace.
2. The appliance has an opening on the left side of the control compartment. A 3/8" NPT gas supply pipe must be brought near the opening.
3. Locate the centre point where the vent will pass through the chimney, above the appliance. Move the appliance to the installation location. Ensure that the insert is level.
4. Do not cut any sheet metal parts of the fireplace into which the gas insert will be installed.
5. If the factory-built fireplace has no gas access hole(s), drill one of 1-1/2" (37-1/2 mm) or less through the lower sides or bottom of the firebox. The access hole must be plugged with non-combustible insulation after the gas supply line is installed.



Vertical Venting

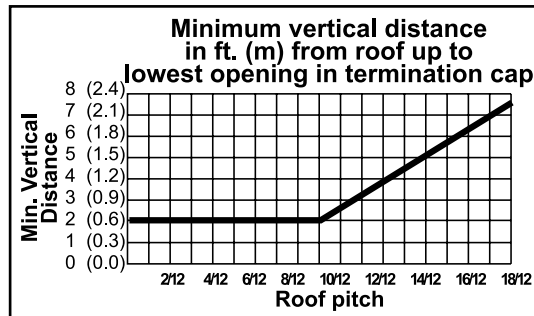
THE APPLIANCE MUST NOT BE CONNECTED TO A CHIMNEY FLUE SERVING A SEPARATE SOLID FUEL BURNING APPLIANCE.

This appliance is designed to attach to 3" (76 mm) and 4" (102 mm) co-linear aluminum flex running the full length of the chimney. The flue length must be a minimum of 10' (3.05 m) and a maximum of 35' (10.7 m) long. See the chart below for minimum distances from the roof. Periodically check that the vent is unrestricted.

Masonry chimneys may take various contours which the flexible liner will accommodate. However, **keep the flexible liner as straight as possible** (avoid unnecessary bending).

Attach both the exhaust and intake flue liners to both the termination cap & flue collar at the appliance with a minimum of three self-tapping screws. Use Mil-Pac sealant to seal the pipes.

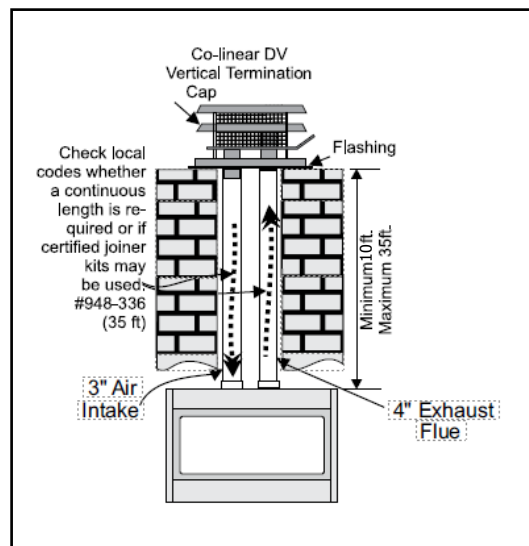
The air intake pipe must be attached to the inlet air collar of the termination cap.



IMPORTANT This appliance was tested and certified as a complete system with the noted termination caps and flex liner. Only the listed termination caps/flex liner noted below can be used. Use of termination caps or flex liners not listed in this manual will void the warranty and certification of this appliance. It is also important not to enclose the termination cap inside a masonry chimney rain cap, or similar. The termination must be exposed on all four sides and above to exhaust and draw air into the firebox.

Part #	Description
948-305	3" Flex - 35 ft.
948-336	4" Flex - 35 ft. (exhaust)
946-588	Co-linear DV Vertical Termination Cap

For Alternate Approved Vertical Termination Caps, see next page.



Electrical Connections

NOTE: Flashing should be securely fastened to the chimney.

Alternate Approved Vertical Termination Caps/Adaptor

Alternate Approved Caps

Option 1

46DVA-CL34 - Vertical High Wind Cap With Flashing. Also includes 3" (76 mm) x 35' (10.7 m) Air Inlet Liner & 4" (102 mm) x 35' (10.7 m) Exhaust Liner

Option 2

46DVA-34CLTA Chimney Liner Conversion From Co-linear To Co-Axial (Includes Flashing)

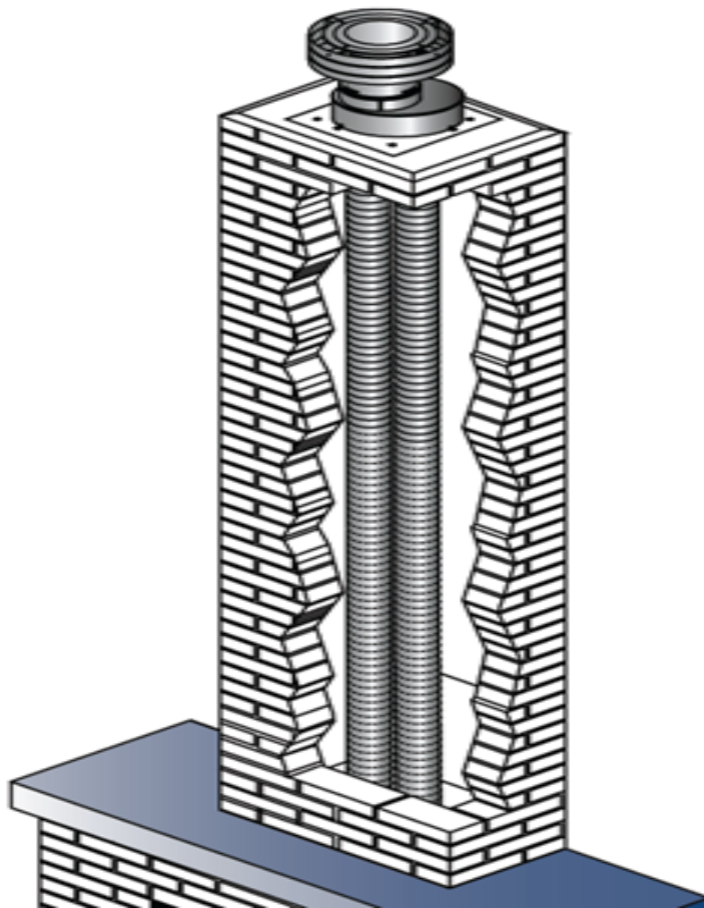
+

46DVA-VCH Vertical High Wind Cap

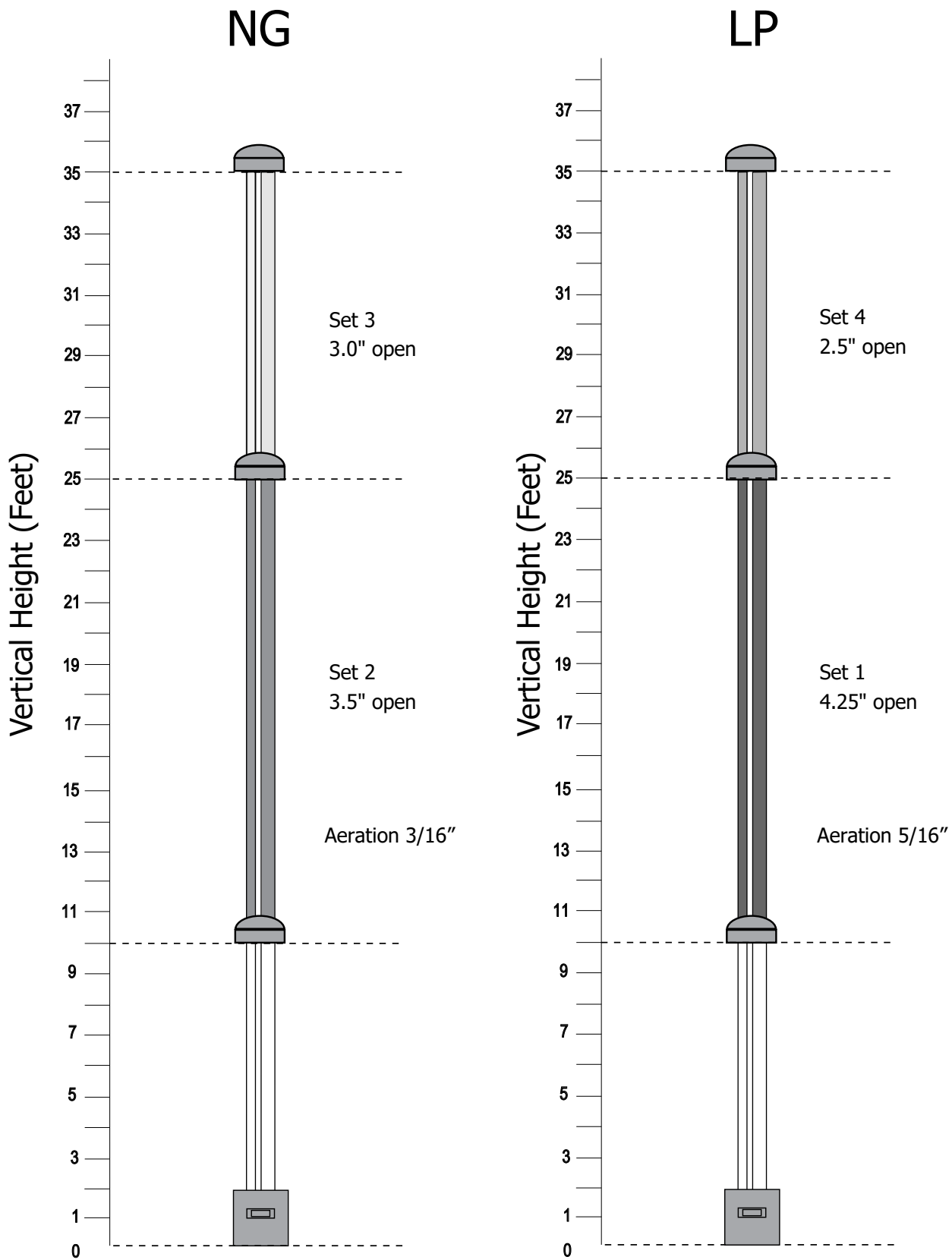
Note: Both Air Inlet/Exhaust Liners Would Need To Be Purchased Separately with Option 2 as they are not included.

With option 2, Simpson Duravent pipe lengths can be added if required to meet clearance requirements.

The air intake pipe must be attached to the inlet air collar of the termination cap.



Vertical Venting/Restrictor Settings for NG and LP



Horizontal Co-Linear Vent Kit (Masonry Fireplaces Only)

APPLICATION

This instruction applies to the DuraVent Direct Vent Pro termination system and is intended as a supplement to the applicable Direct Vent Pro instructions. This termination and venting system and the gas appliance were tested and listed by an accredited test agency.

Kit # 46DVA-HCL34 includes:

1 Horizontal Termination Cap

Two 10' (3 m) long; 1 x 3" (76 mm) and 1 x 4" (102 mm) round liners and hardware.

The 948-128 Mil-Pac sealant must be purchased separately.

NOTE • The intake is 3" (76 mm) and the exhaust is 4" (102 mm).

INSTALL INFORMATION

The flue damper must be fully blocked open or removed if safe to do so for installation of the unit. Ensure the fireplace and chimney are clean and in good working order, and that all chimney cleanouts are tight-fitting and not permitting air into the chimney. Install a sealed vent cap and metal flashing at the top of the masonry chimney to prevent leaks and air movement within the cavity. **A vent restrictor is not required when terminating horizontally, as shown below.**

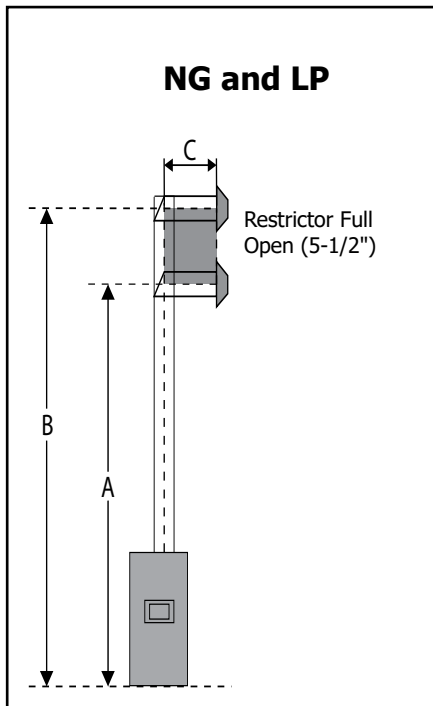
This appliance is certified for use with NG and LP when terminating horizontally. Make the hole on the outer portion of the masonry fireplace by boring it or removing bricks. Ensure that the masonry structure is safe and brick can be removed without damage to the chimney prior to proceeding. Minimum and maximum vent heights are noted below.

For complete instructions follow this link:

https://duravent.com/wp-content/uploads/2020/06/L954-SUP_820018997-DirectVent-Pro-Horizontal-Vent-Kit_03-20-20_V1.pdf [duravent.com]

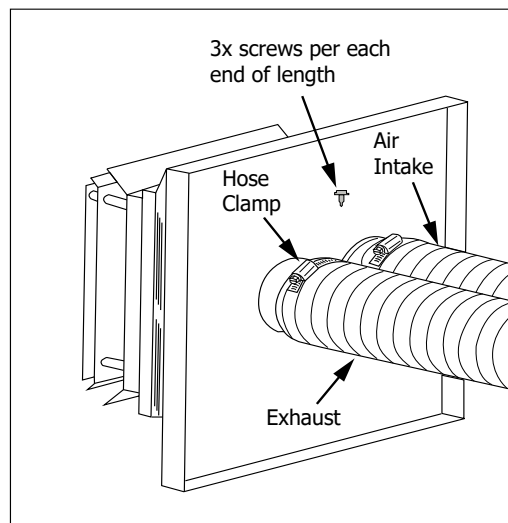
Horizontal Exterior Vent Termination Location

Clearance To Soffit (unventilated/ventilated) 24" (60 cm) Canada/USA.



DIMENSIONS	
A - Min. Height	8 ft. (2.4 m)
B - Max. Height	10 ft. (3 m)
C - Max. Horizontal	18" (457 mm)

NOTE The exhaust is located on the left side and the air intake on the right when facing the back of the termination as shown below. Seal the 4" (102 mm) flex with Mil-Pac, purchased separately.



Installers must mechanically attach the supplied label to the inside of the firebox of the fireplace into which the gas fireplace insert is installed.

NOTE This fireplace has been converted for use with a gas fireplace insert only. It cannot be used for burning wood or solid fuels unless all original parts are replaced and the fireplace re-approved by the authority having jurisdiction.