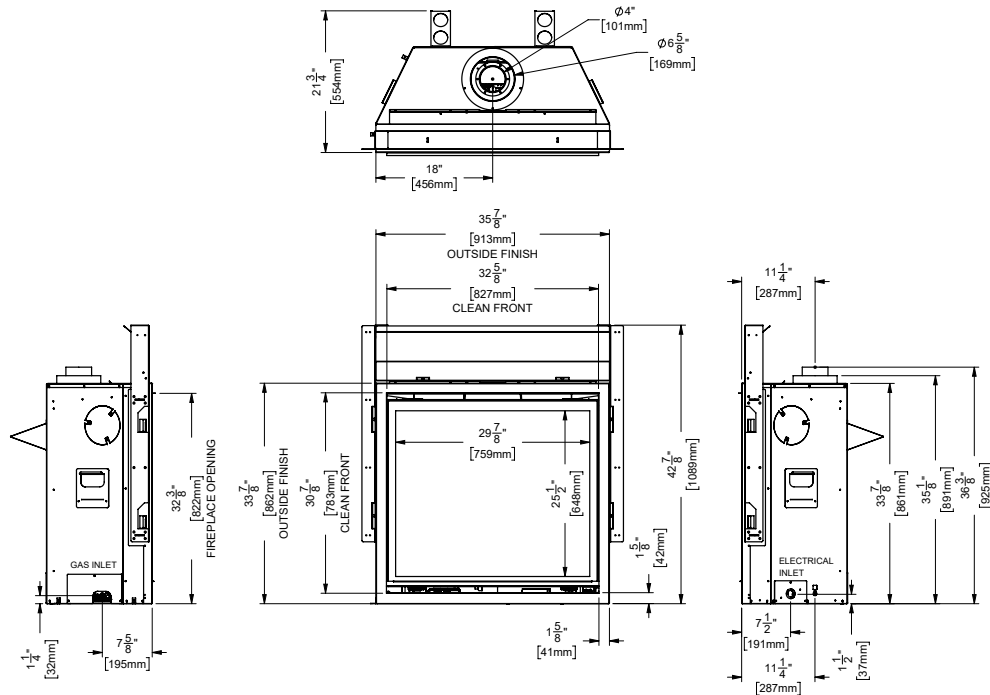


GRANDVIEW G800EH GAS FIREPLACE

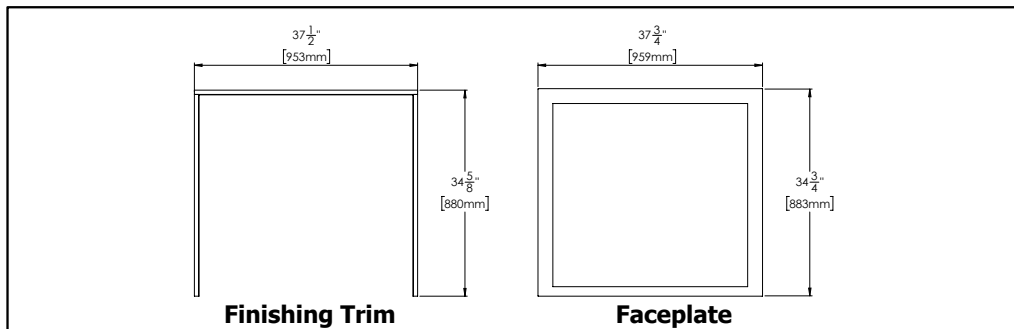
MODEL	G800EH-NG	G800EH-LP
Fuel Type	Natural Gas	Propane
Min. Supply Pressure	5" W.C. (1.25 kPa)	11" W.C. (2.74 kPa)
Manifold Pressure - High	3.8" W.C. (0.94 kPa)	10" W.C. (2.49 kPa)
Manifold Pressure - Low	1.1" W.C. (0.27 kPa)	6.4" W.C. (1.60 kPa)
Orifice Size - Altitude 0-4500 ft	# 35 DMS	# 51 DMS
Minimum Input Altitude 0-4500 ft. (0-1372m)	19,500 Btu/h (5.71 kW)	27,000 Btu/h (7.91 kW)
Maximum Input Altitude 0-4500 ft. (0-1372m)	36,000 Btu/h (10.55 kW)	34,000 Btu/h (9.96 kW)
CSA P.4.1 Fireplace Efficiency (FE)	58.76%	60.29%



Unit Dimensions



Minimum Fireplace Dimensions



Note: Gas connection is from the left hand side of the appliance & electrical connection on right hand side of the appliance. A metal receptacle box is supplied/installed with the appliance to make all 120 volt electrical connections.

Clearance/Framing and Venting Configurations

The G800EH is designed to allow for unique installation options—depending on the desired finish. Please review the options and follow the specific clearance, framing, and finishing options for that application.

The applications are as follows:

Cool Wall installation-Clean Front & Outside Finish: combustible materials can be installed right up to the fireplace opening with this option.

Non Combustible Installation-Clean Front & Outside Finish Applications: non-combustible required when installing materials right to the fireplace opening with this option.

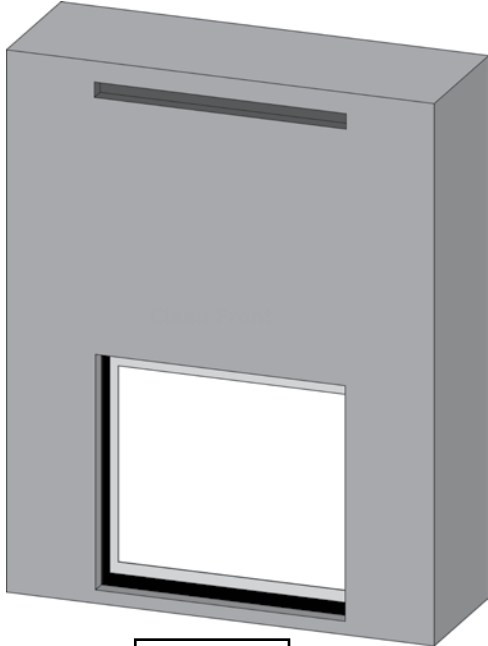
Note: The topics listed below can be found in the pages that follow.

- Cool Wall Installation (Combustible Finishing)
- Non Combustible Installation
- Cool Wall Installation-Cool Wall Conversion
- Cool Wall Clearances
- Cool Wall Mantel Clearances
- Cool Wall Mantel Leg Clearances
- Outside Finish Installation (Non Cool Wall)-Framing
- Chase Venting
- Chase Vent Installation-Cool Wall
- Clean Front Installation (Non Cool Wall)—Clearances
- Clean Front Installation (Non Cool Wall)—Mantel Clearances
- Clean Front Installation (Non Cool Wall)—Mantel Leg Clearances
- Clean Front Installation (Non Cool Wall) — Non Combustible Requirements
- Clean Front Installation-Framing (Non Cool Wall)
- Clean Front Installation
- Optional Clean Front Trim Install Instructions
- Outside Finish Installation (Non Cool Wall)—Clearances
- Outside Finish Installation (Non Cool Wall)—Mantel Clearances
- Outside Finish Installation (Non Cool Wall)—Mantel Leg Clearances
- Outside Finish Installation (Non Cool Wall)—Framing
- Outside Finish-Finishing
- Faceplate Installation
- Faceplate Finishing
- Finishing Trim Install
- Unit Assembly Prior to Installation

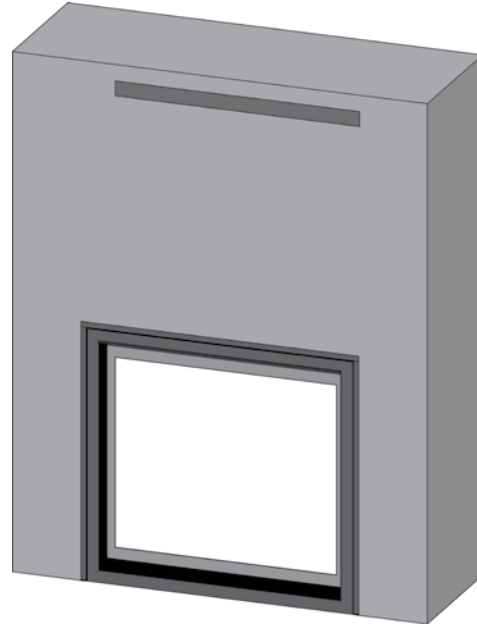
Cool Wall Installation (Combustible Finishing)

Cool Wall Install:

- Vented chase
- Combustible material can be used all around the fireplace
- Combustible framing



Clean Front

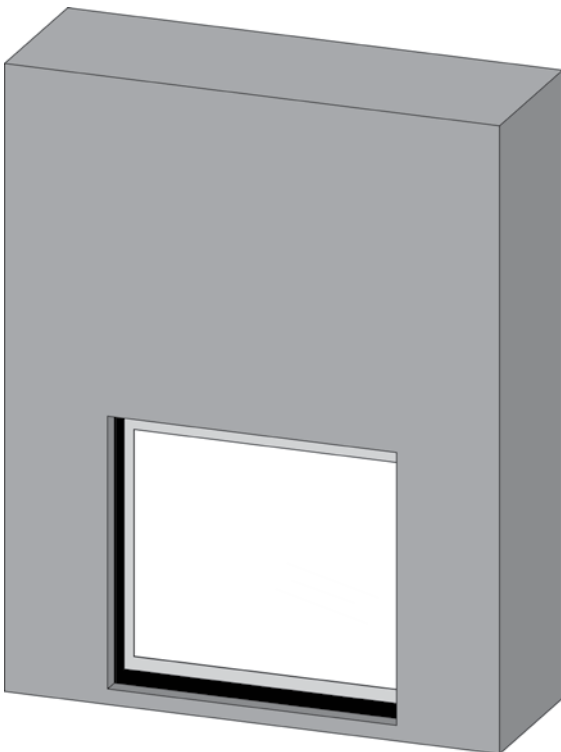


Outside Finish w/ Finishing Trim

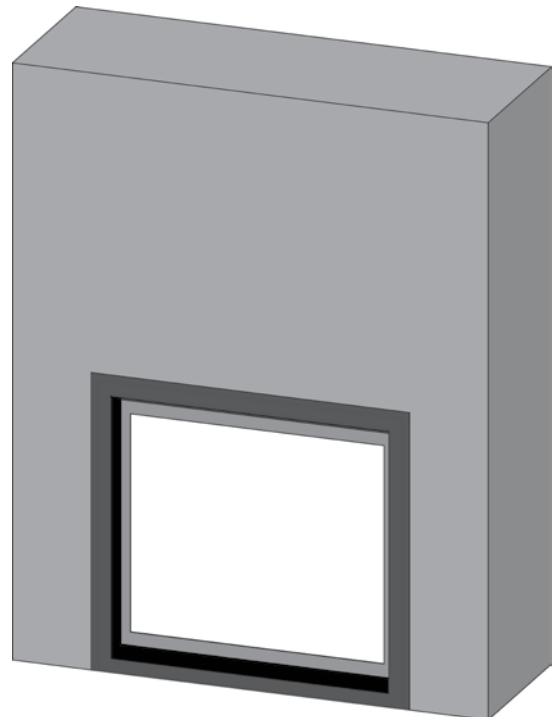
Non Combustible Installation

Install:

- Non-vented chase
- Non-combustible board required
- Combustible framing



Clean Front



Outside Finish w/ Faceplate

Cool Wall Clearances

The clearances listed below are minimum distances unless otherwise stated.

A major cause of chimney related fires is failure to maintain required clearances (air space) to combustible materials. It is of the greatest importance that this fireplace and vent system be installed only in accordance with these instructions.

Caution Requirements

The top, back and sides of the fireplace are defined by standoffs. The metal ends of the standoff may **NOT** be recessed into combustible construction.

WARNING

Fire hazard is an extreme risk
If these clearances (air space) to combustible materials are not adhered to. It is of greatest importance that this fireplace and vent system be installed only in accordance with these instructions.

G800EH Clearance Requirements—Cool Wall Installations

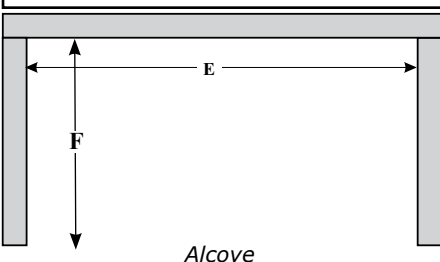
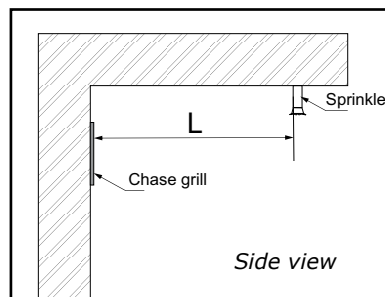
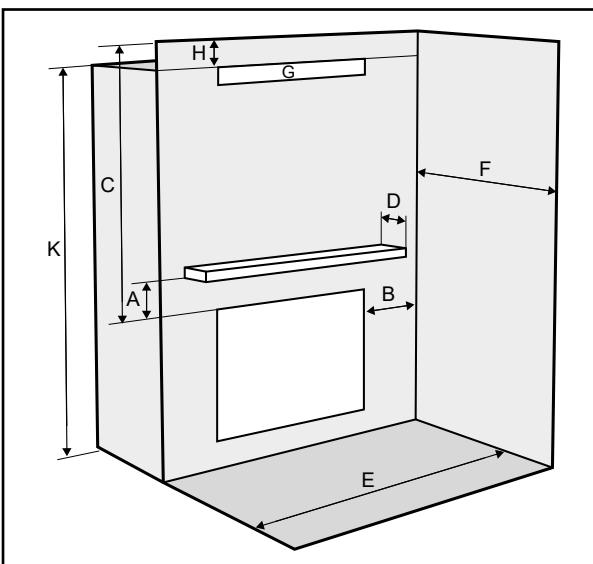
Clearance:	Cool Wall - Clean Front	Measured From:
A: Mantel Height (min.)	**4" (102mm)	Top of Fireplace Opening
B: Sidewall	6" (152mm)	Side of Fireplace Opening
C: Ceiling	51-1/2" (1308mm)	Top of Fireplace Opening
D: Mantel Depth (max.)	18" (457mm)	Front of Fireplace Opening
E: Alcove Width	84" (2134mm)	Wall to Wall (Minimum)
F: Alcove Depth	36" (914mm)	Front to Back Wall (Maximum)
G: Convection Air Outlet	107" sq (690cm ²)	Top/Front of Enclosure
H: Convection Air Outlet Opening Ceiling Offset	Min. 2"	Top of Chase Vent Opening
K: Chase Enclosure Ceiling (Min.)	*82" (2083mm)	From Base of Appliance Floor
L: Clearance to Sprinkler Head (Min.)	36" (914mm)	Perpendicular From Chase Grill
Notes:	0"	No Hearth Required

IMPORTANT - *A minimum of 107 square inches of open area. Chase enclosure ceiling must be flush with ventilation opening required for all cool wall installations — this can be achieved by having an open area in front. See manual for details.

** An extra 3/4" (19mm) of mantel height is required when using a faceplate.



The **HeatWave** Duct Kit has different clearance and framing requirements, check the **HeatWave** manual for details.

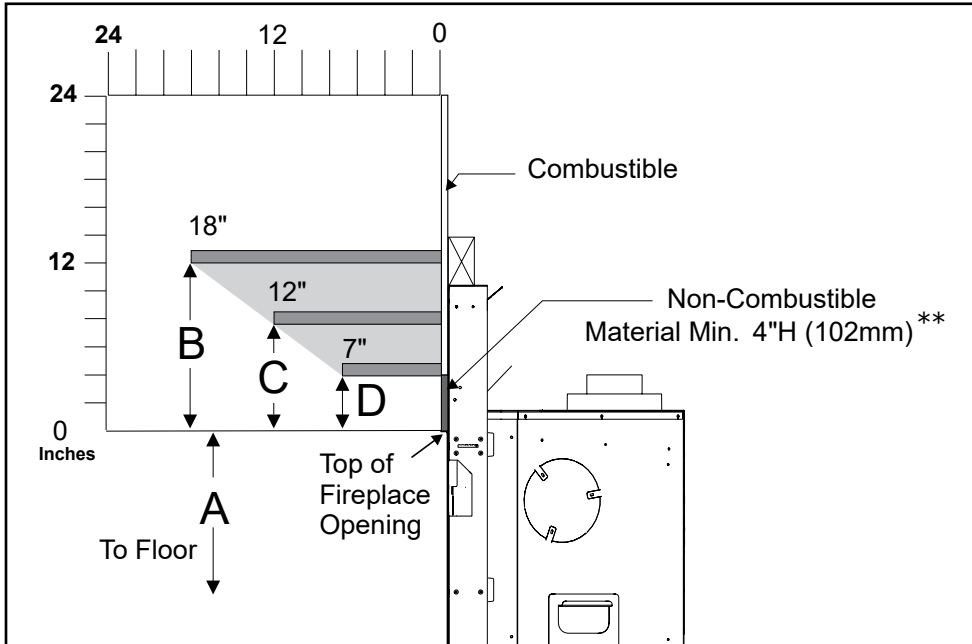


Minimum Vent Clearances to Combustibles

Horizontal Top	2" (51mm)
Horizontal Side	1-1/2" (38mm)
Horizontal Bottom	1-1/2" (38mm)
Vertical Vent	1-1/2" (38mm)

Cool Wall Mantel Clearances

Due to the extreme heat this fireplace emits, the mantel clearances are critical. Combustible mantel clearances from top of front facing are shown in the diagram below.

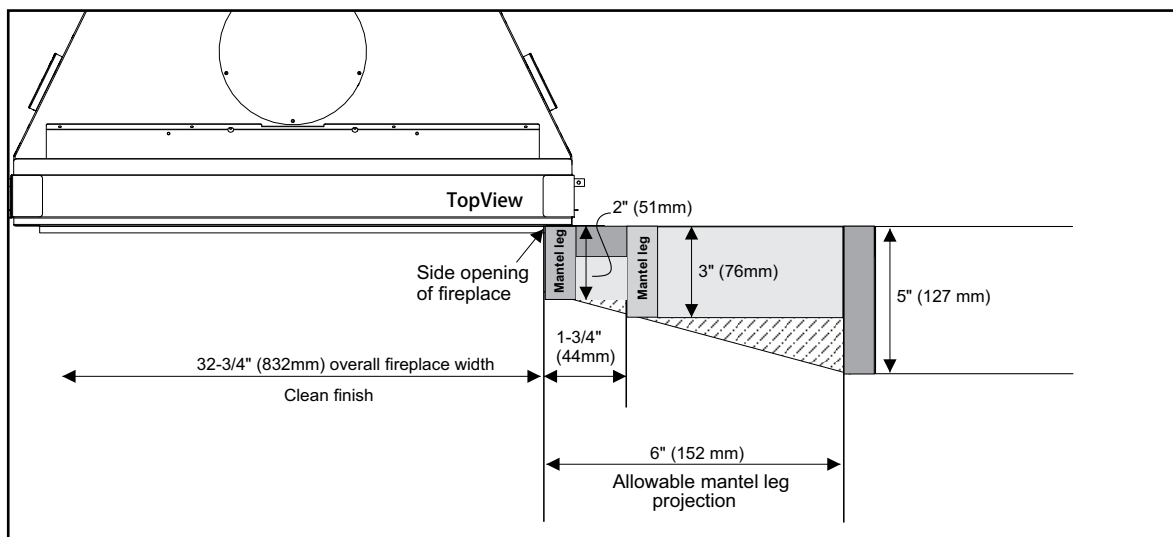


Mantel Clearances G800EH	A	B	C	D
From Top of Fireplace Opening	32-1/2" (826 mm)	12" (305 mm)	7-1/2" (191 mm)	4" (102 mm)

Note: Ensure the paint that is used on the mantel and the facing is "High Quality" or the paint may discolour.

****The non combustible board supplied with the appliance is 20" (508 mm) high. This may be cut to size if desired.**

Cool Wall Mantel Leg Clearances



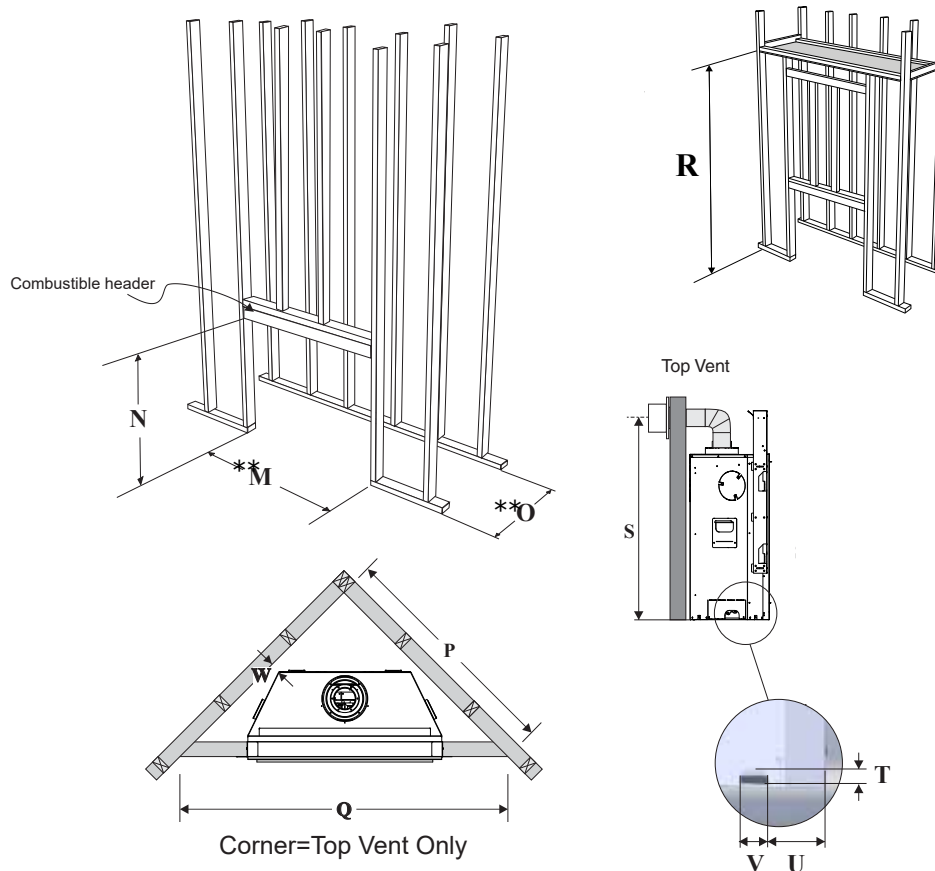
See framing dimensions on next page.

Cool Wall Installation - Framing

Framing Dimensions	Description	Cool Wall	Cool Wall with Finishing Trim or Faceplate
M	Framing Width	36-1/2" (927mm)	37-1/2" (952mm)
N*	Framing Height	43" (940mm)	
O	Framing Depth	22" (559mm)	
P	Corner Facing Wall Width	42-1/2" (1035mm)	
Q	Corner Facing Wall Width	60" (1524mm)	
R	Framed Chase Ceiling Enclosure	82" (2083mm)	
S	Vent Centerline Height	44" (1118mm)	
T	Gas Connection Height	1-1/2" (38mm)	
U	Gas Connection Inset	6-3/8" (162mm)	
V	Gas Connection Width	3" (76mm)	
W	Clearance to Corner of Unit	2-3/4" (70mm)	

* Important: Framing height requires consideration of the hearth height. Dimension N = N + the thickness of the installed hearth.

Note: The 2 standoffs at the rear of the appliance may be removed as these are not required in this application. Ensure that any screws that are removed are reinstalled. The 2 standoffs can be recycled/discarded.



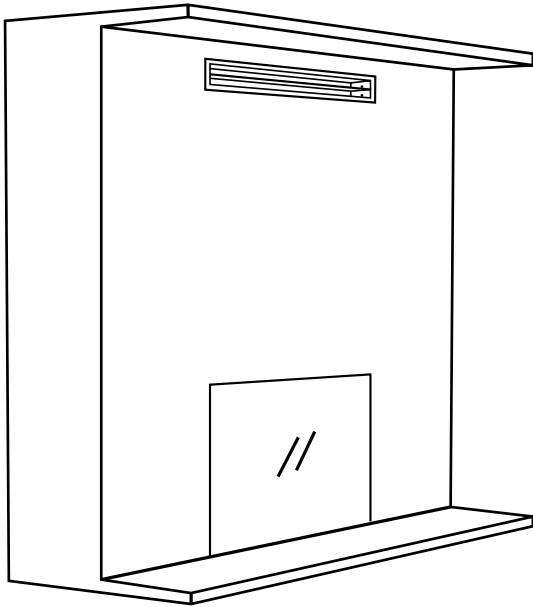
**The framing depth/width does not take into account dry wall/wood or similar materials against the back /side wall. The framing depth will need to change based on the thickness of the material
 (example: M - 36-1/2" framing width + 1/2" drywall = 37")
 (example: M Outside finish with finishing trim/faceplate - 37-1/2" framing width + 1/2" drywall = 38")
 (example: O - 16-7/8" framing depth + 1/2" drywall = 17-3/8")

Chase Venting

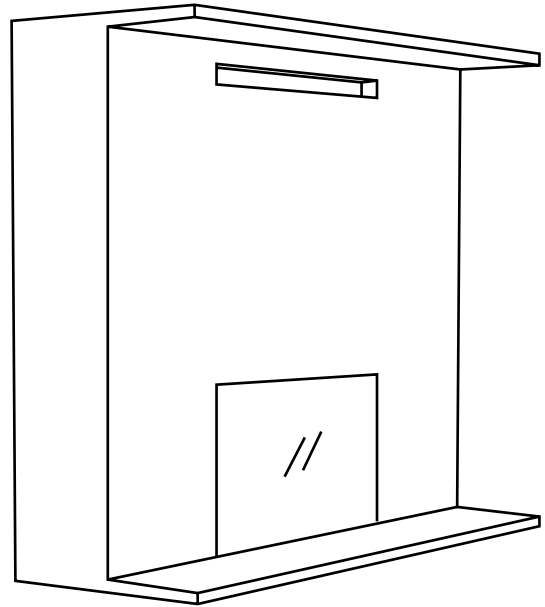
Note: The enclosure opening must be flush with the top of the enclosure for all installations. Minimum height of enclosure from base of appliance is 82" (2083mm).

A minimum 107in² opening in the enclosure is required to maintain safe operating temperatures. This can be achieved in a number of ways including the examples shown below.

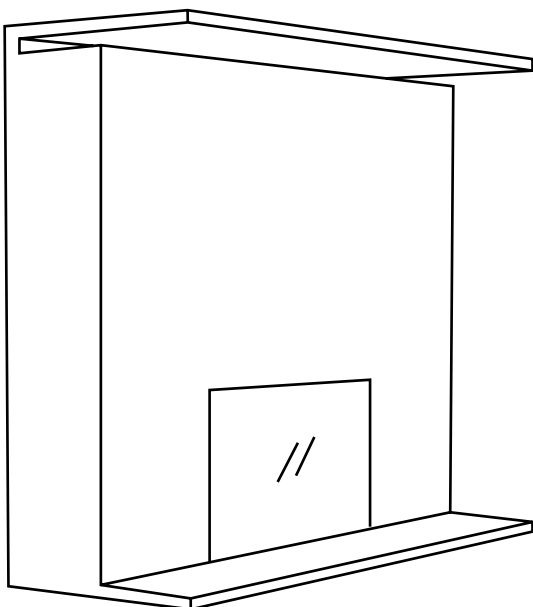
Warning: DO NOT cover or place objects in front of the air outlet(s).



Regency Chase Vent



Custom Chase Vent



Reveal at Ceiling

Clean Front Installation (Non Cool Wall) - Clearances

The clearances listed below are minimum distances unless otherwise stated:

A major cause of chimney related fires is failure to maintain required clearances (air space) to combustible materials. It is of the greatest importance that this fireplace and vent system be installed only in accordance with these instructions.

Caution Requirements

The top, back and sides of the fireplace are defined by standoffs. The metal ends of the standoff may **NOT** be recessed into combustible construction.

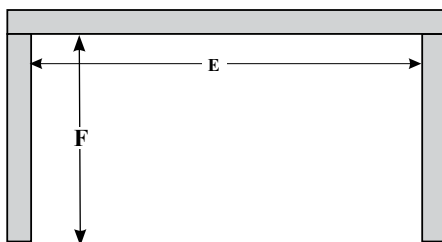
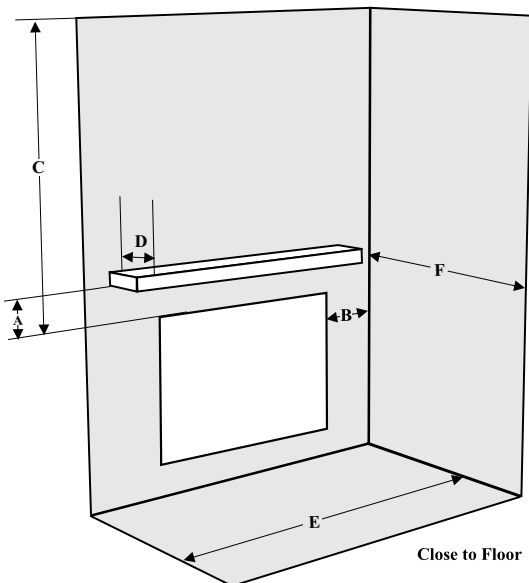
WARNING

Fire hazard is an extreme risk if these clearances (air space) to combustible materials are not adhered to. It is of greatest importance that this fireplace and vent system be installed only in accordance with these instructions.

G800EH Clearance Requirements		
Clearance:	Dimension	Measured From:
A: Mantel Height (min.)	20" (508mm)	Top of Fireplace Opening
B: Sidewall	25" (635mm)	Side of Fireplace Opening
C: Ceiling	36-1/2" (927mm)	Top of Fireplace Opening
D: Mantel Depth (max.)	12" (305mm)	Front of Fireplace Opening
E: Alcove Width	84" (2134mm)	Wall to Wall (Minimum)
F: Alcove Depth	36" (914mm)	Front to Back Wall (Maximum)
Notes:	0"	No Hearth Required

The **HeatWave** Duct Kit has different clearance and framing requirements, check the **HeatWave** manual for details.

See mantle chart on next page.



Alcove

Minimum Vent Clearances to Combustibles

Horizontal Top	2" (51mm)
Horizontal Side	1-1/2" (38mm)
Horizontal Bottom	1-1/2" (38mm)
Vertical Vent	1-1/2" (38mm)

Chase Enclosure (Cool Wall)

When choosing to install the ventilation openings from the front, the top of the ventilation opening must be flush with the top of the chase enclosure for all installations.

Minimum height of enclosure from base of appliance is 82" (2083mm).

A minimum 107in² opening in the enclosure is required to maintain safe operating temperatures. This can be achieved in a number of ways including the examples shown in this manual.

IMPORTANT:

Exterior wall/Alcove enclosure: When installing into an exterior cavity or alcove enclosure (ceiling, back and sides), regardless of where appliance is placed within the home, requires the use of either drywall or other means such as plywood, wood studs, etc. to prevent heat from escaping anywhere above /through the enclosure other than the required grill / ventilation opening.

Internal chase: When installing as an internal chase framing installation, regardless of where appliance is placed within the home, requires the use of either drywall or other means such as plywood, on the rear wall of the chase to eliminate heat escaping into the rear wall cavity. If the chase is extended to the ceiling, the ceiling will also need to be finished in a manner to prevent heat escaping into floor joist/attic space.

One of the following methods must be used to prevent the heat from escaping.

- a. If choosing drywall, ensure that the drywall is butt up tight with no gaps.
- b. Plywood, wood studs, etc. installed tightly with no gaps.

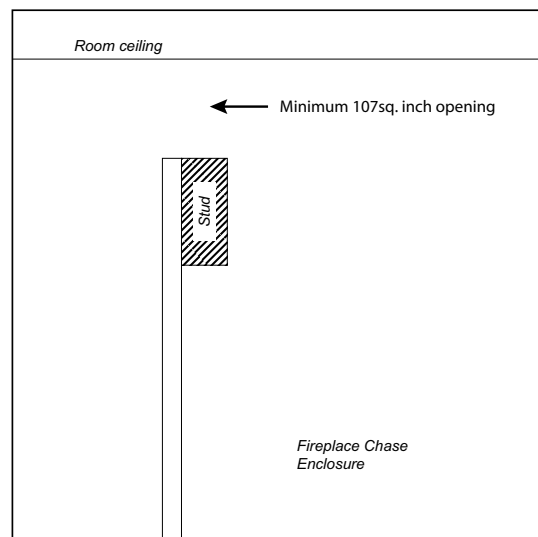
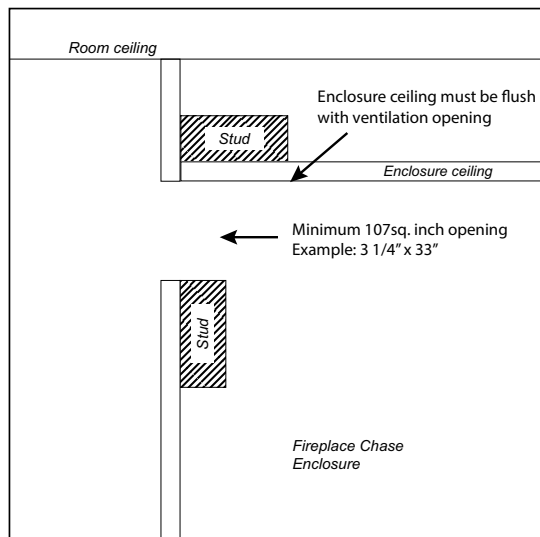
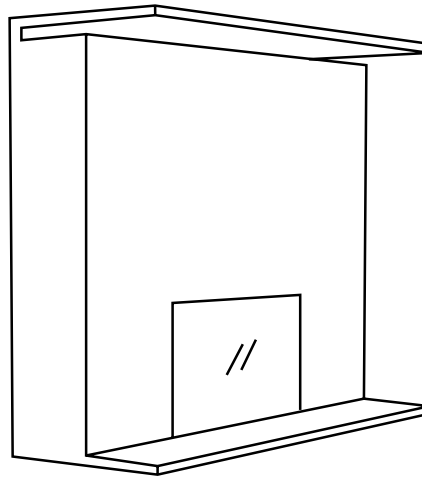
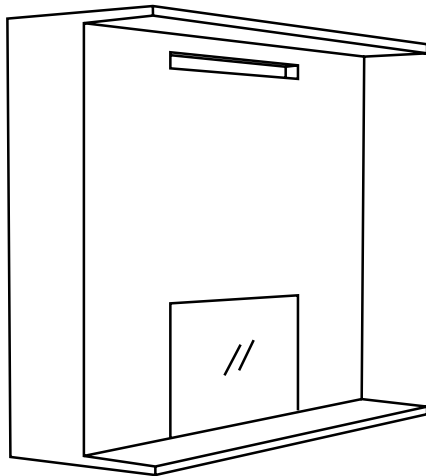
As this appliance has been designed with all hot air escaping through the chase enclosure ventilation/grill openings only, if hot air is trapped as a result of the hot air escaping through joints, crevasses, open studs, or other openings within the enclosure above, this will change the clearances within the enclosure causing the enclosure to overheat. It is vital that all the hot air from within the enclosure exits through the ventilation openings only.

Ensure that the ventilation openings are made as such to prevent debris, objects from falling into the enclosure.

Warning: DO NOT cover or place objects in front of the ventilation opening air outlet(s).

Example 1: Ventilation opening in chase wall, lower than room ceiling

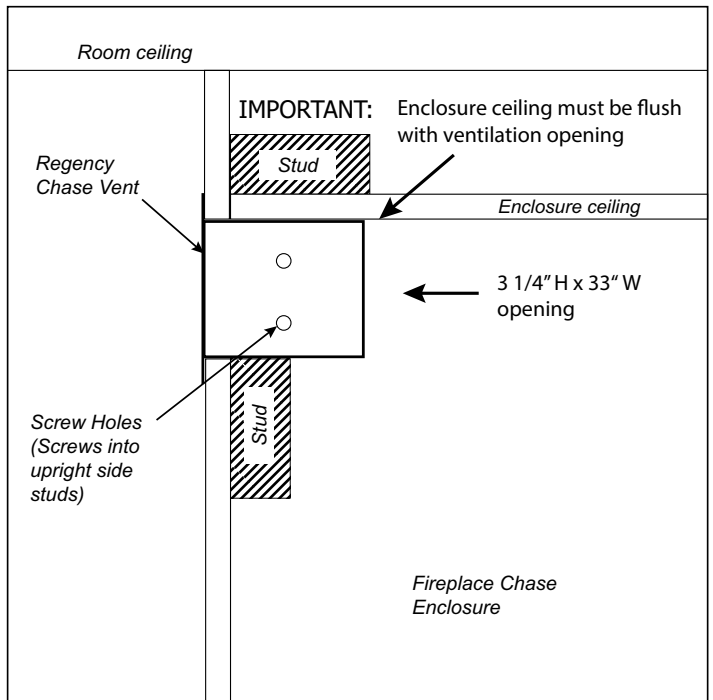
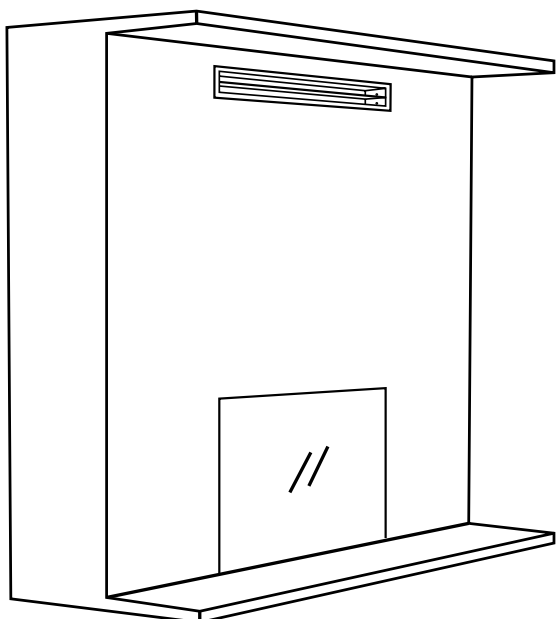
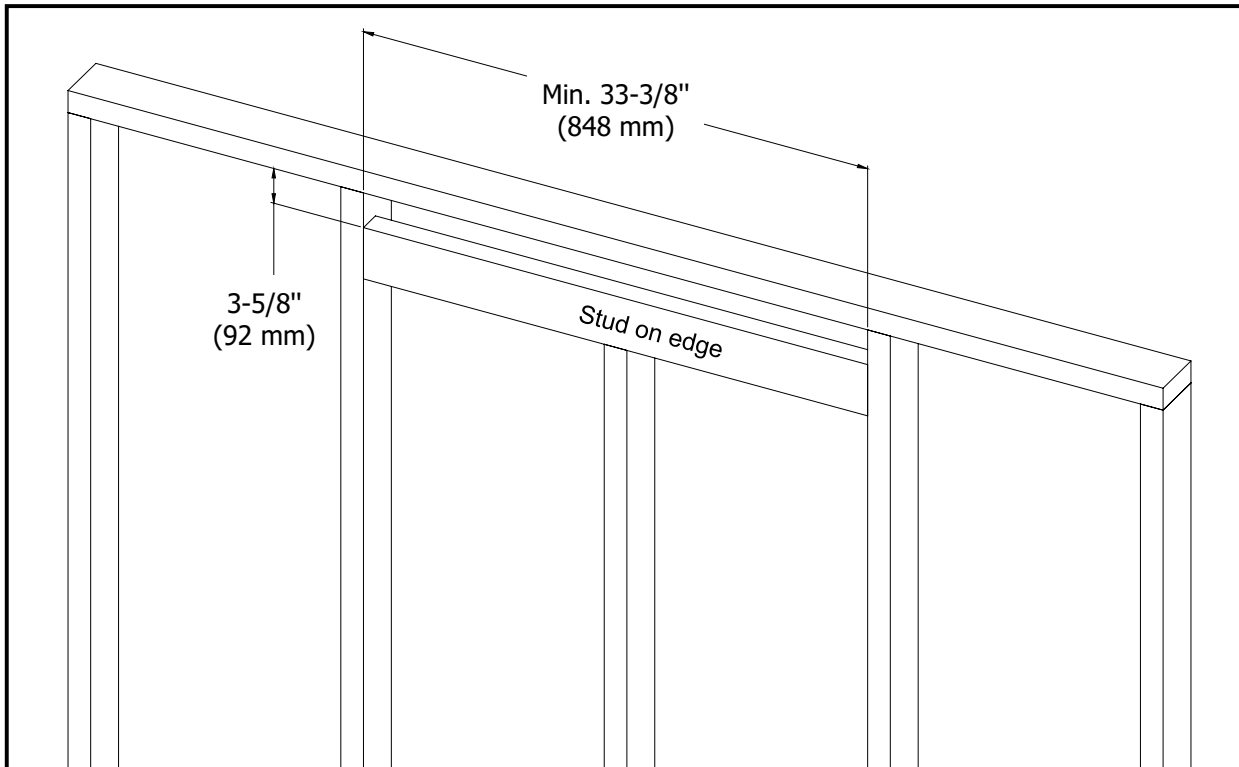
Example 2: Ventilation opening reveal at room ceiling



Chase Vent Installation—Cool Wall

Framed opening must be at least 3-5/8" (92mm) tall, and at least 33-3/8" (848mm) wide to accommodate the Chase vent. The top of the Chase vent opening must be flush with the top of the chase enclosure. Fasten the Chase vent with screws and construction adhesive.

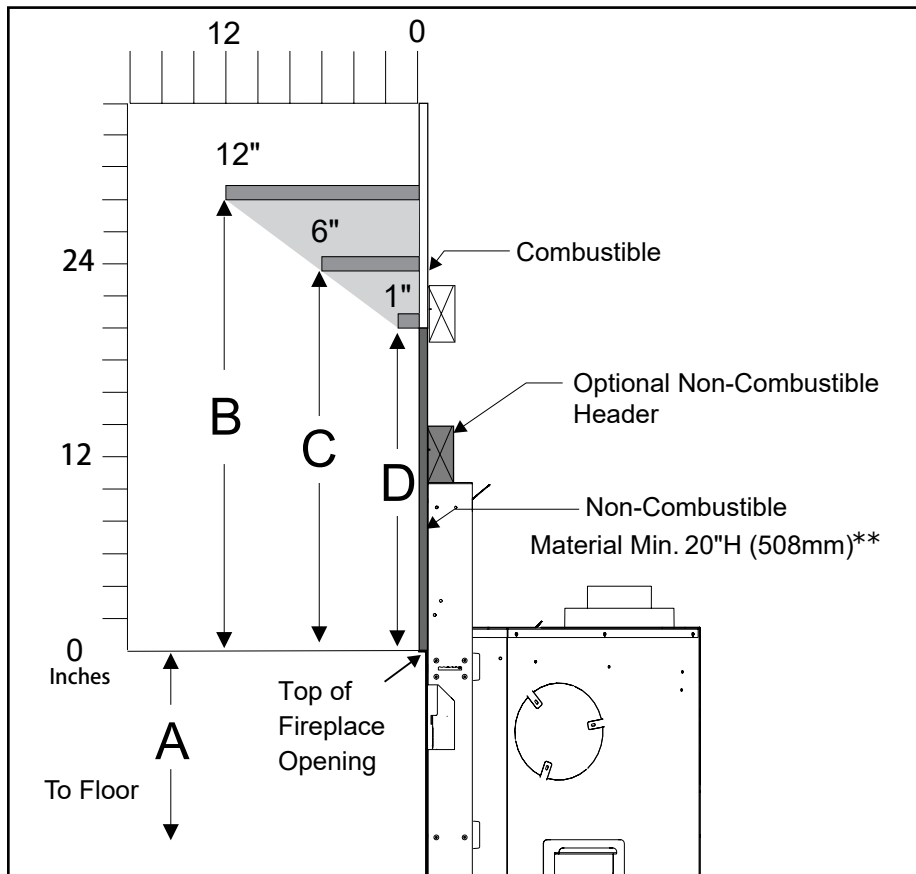
If the chase vent is not being used, a minimum 107in² (690cm²) opening in the enclosure is required to maintain safe operating temperatures. This can be achieved in a number of ways including a reveal at the top of the chase.



Clean Front Installation (Non Cool Wall) - Mantel Clearances

Due to the extreme heat this fireplace emits, the mantel clearances are critical. Combustible mantel clearances from top of front facing are shown in the Diagram on the right.

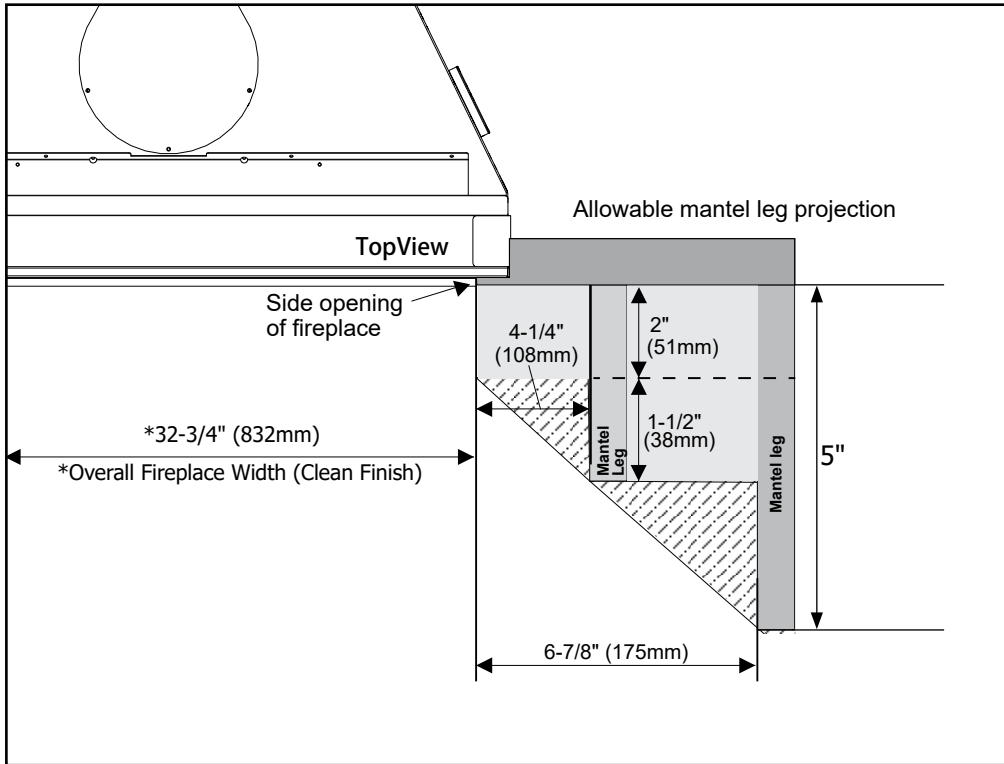
Note: Ensure the paint that is used on the mantel and the facing is "High Quality" or the paint may discolour.



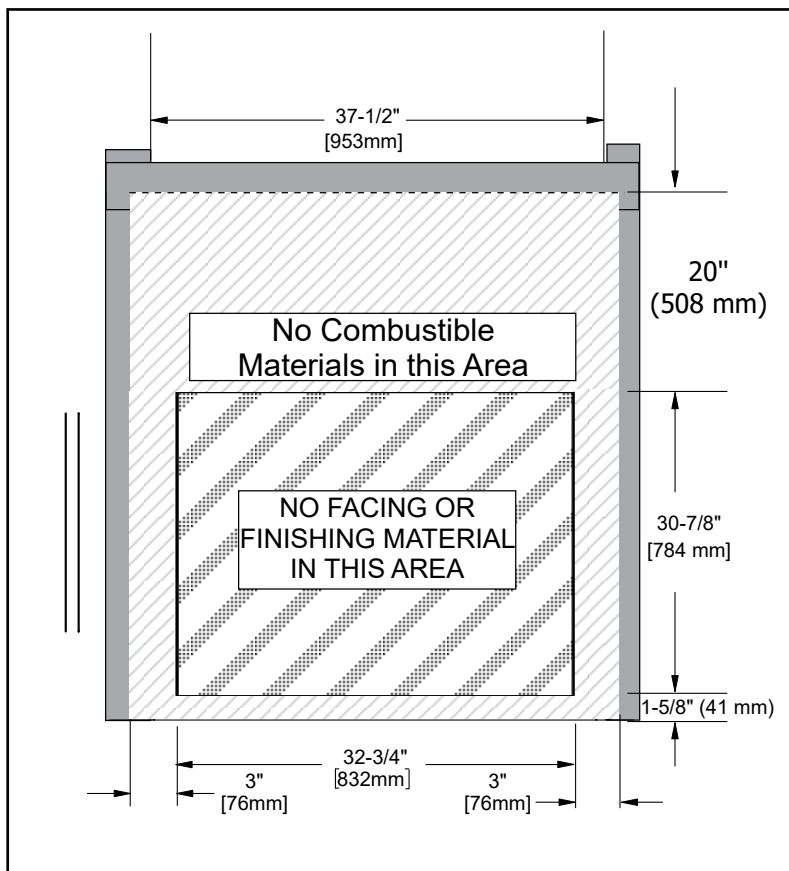
****The non combustible board supplied with the appliance is 20" (508 mm) high.**

Mantel Clearances G800EH	A	B	C	D
From Top of Fireplace Opening	32-1/2" (826mm)	28" (711mm)	23-1/2" (597mm)	20" (508mm)

Clean Front Installation (Non Cool Wall) - Mantel Leg Clearances



Clean Front Installation (Non Cool Wall) - Non-Combustible Requirements

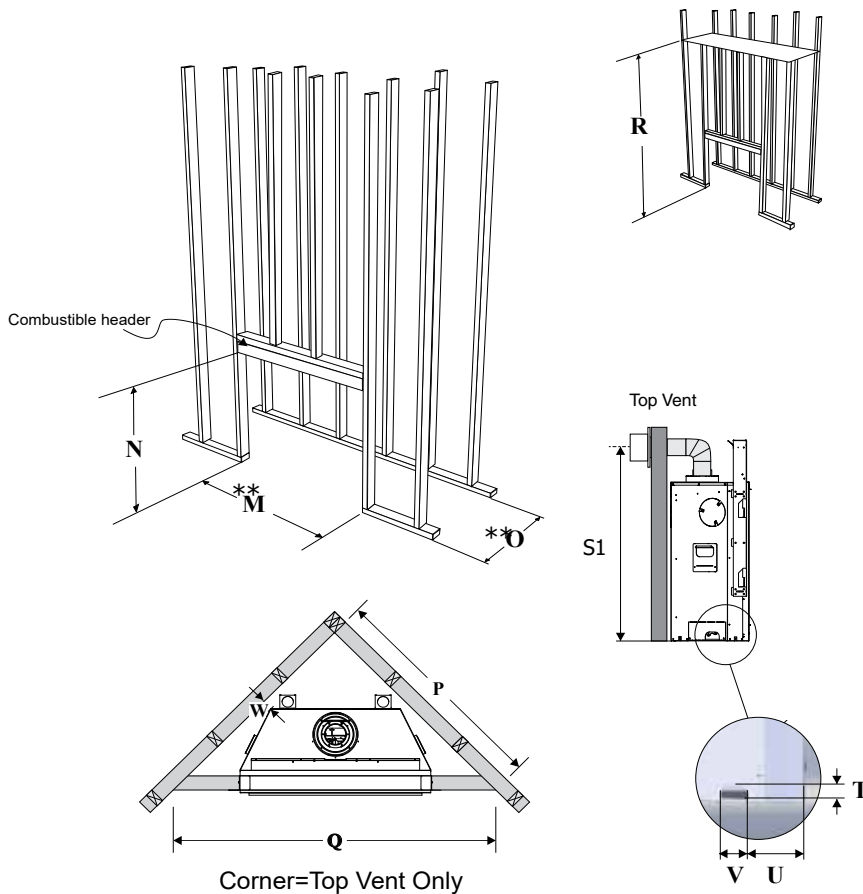


See framing dimensions on next page.

Clean Front Installation - Framing (Non Cool Wall)

Framing Dimensions	Description	G800EH - Non Cool Wall
M	Framing Width	37-1/2"(953mm)
N*	Framing Height	52" (1321mm)
O	Framing Depth	22" (559mm)
P	Corner Facing Wall Width	46-1/2" (1181mm)
Q	Corner Facing Wall Width	65-3/4" (1670mm)
R	Framed Chase Ceiling	84" (2134mm)
S1	Vent Centerline Height	44" (1118mm)
T	Gas Connection Height	1-1/2" (38mm)
U	Gas Connection Inset	6-3/8" (162mm)
V	Gas Connection Width	3" (76mm)
W	Clearance to corner of unit	2-3/4" (70mm)
	Non-combustible Height	11-1/2" (292mm)

* Important: Framing height requires consideration of the hearth height. Dimension N = N + the thickness of the installed hearth.



**The framing depth/width does not take into account dry wall/wood or similar materials against the back /side wall. The framing depth will need to change based on the thickness of the material
 (example: M - 37-1/2" framing width + 1/2" drywall = 38")
 (example: O - 19-1/4" framing depth + 1/2" drywall = 19-3/4")

Outside Finish Installation (Non Cool Wall) - Clearances

The clearances listed below are minimum distances unless otherwise stated:

A major cause of chimney related fires is failure to maintain required clearances (air space) to combustible materials. It is of the greatest importance that this fireplace and vent system be installed only in accordance with these instructions.

Caution Requirements

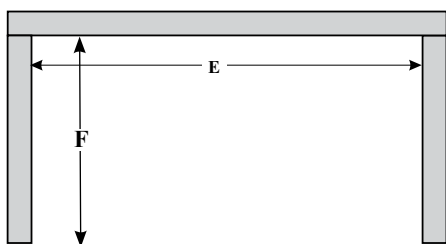
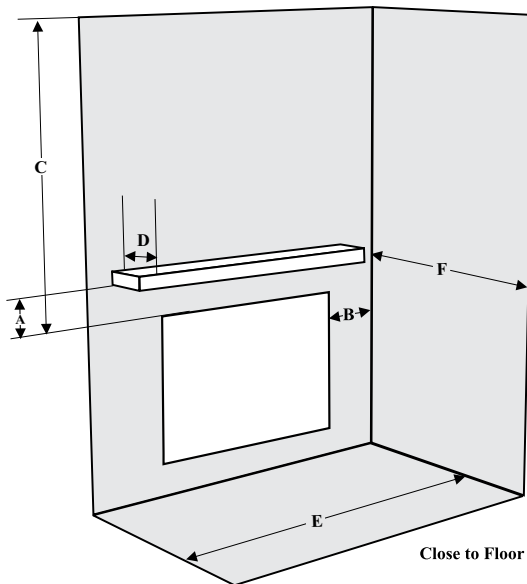
The top, back and sides of the fireplace are defined by standoffs. The metal ends of the standoff may **NOT** be recessed into combustible construction.

WARNING

Fire hazard is an extreme risk if these clearances (air space) to combustible materials are not adhered to. It is of greatest importance that this fireplace and vent system be installed only in accordance with these instructions.

G800EH Outside Finish Clearance Requirements		
Clearance:	Dimension	Measured From:
A: Mantel Height (min.)	20" (508mm)	Top of Fireplace Opening
B: Sidewall	25" (635mm) one side only	Side of Fireplace Opening
C: Ceiling	36-1/2" (927mm)	Top of Fireplace Opening
D: Mantel Depth (max.)	12" (305mm)	Top of Fireplace Opening
E: Alcove Width	84" (2134mm)	Wall to Wall (Minimum)
F: Alcove Depth	36" (914mm)	Front to Back Wall (Maximum)
Notes:	0"	No Hearth Required

See mantle chart on next page.



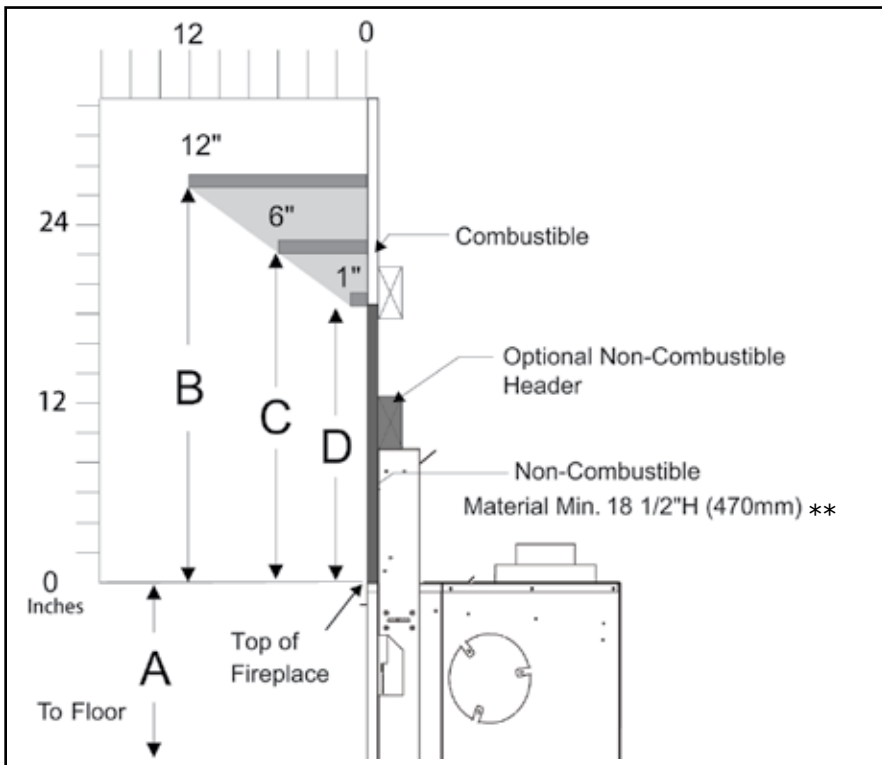
Alcove

Minimum Vent Clearances to Combustibles

Horizontal Top	2" (51mm)
Horizontal Side	1-1/2" (38mm)
Horizontal Bottom	1-1/2" (38mm)
Vertical Vent	1-1/2" (38mm)

Outside Finish Installation (Non Cool Wall) - Mantel Clearances

Due to the extreme heat this fireplace emits, the mantel clearances are critical. Combustible mantel clearances from top of front facing are shown in the Diagram below.

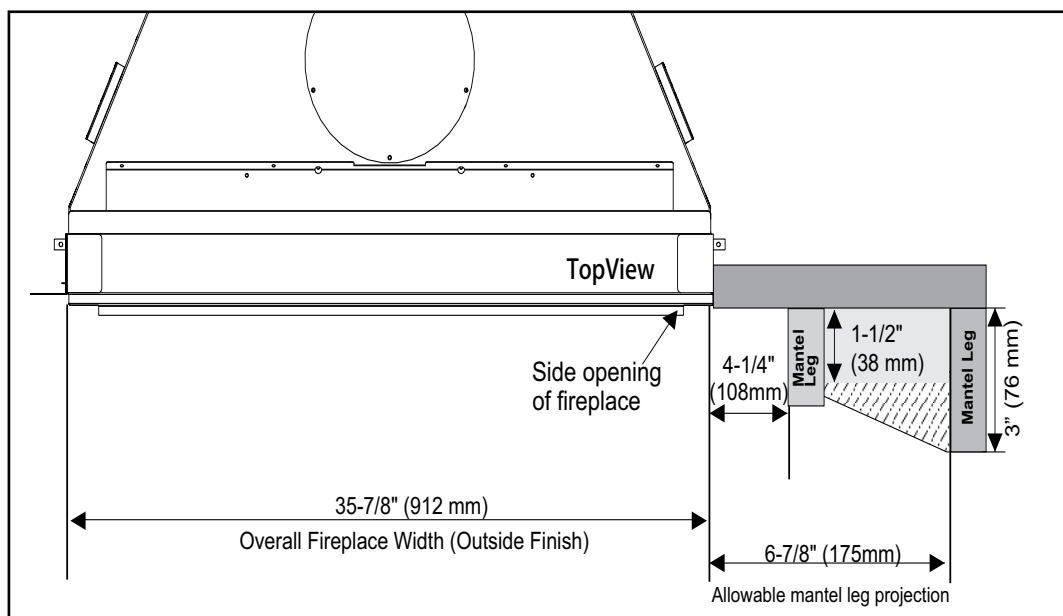


Mantel Clearances G800EH	A	B	C	D
From Top of Fireplace	34" (864mm)	26.5" (673mm)	22" (559mm)	18.5" (470mm)

Note: Ensure the paint that is used on the mantel and the facing is "High Quality" or the paint may discolour.

**The non combustible board supplied with the appliance is 20" (508 mm) high. This may be cut to size if desired.

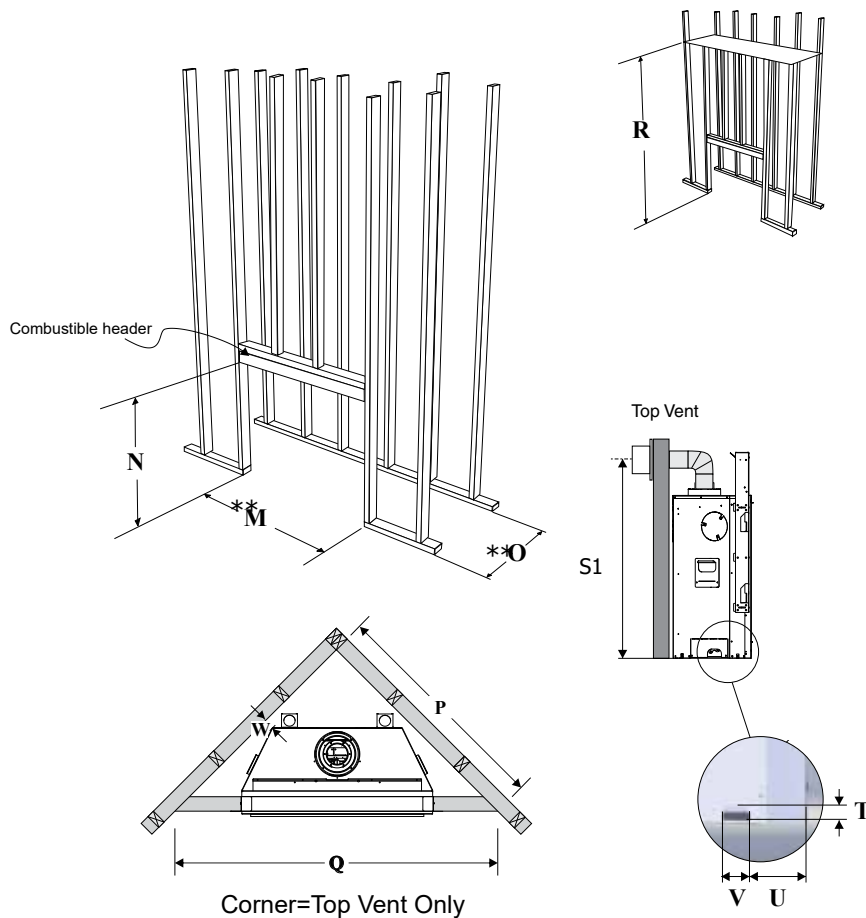
Outside Finish Installation (Non Cool Wall) - Mantel Leg Clearances



Outside Finish Installation (Non Cool Wall) - Framing

Framing Dimensions	Description	Outside Finish	Outside finish with Finishing Trim or Faceplate
M	Framing Width	36-1/2" (927mm)	37-1/2" (953mm)
N*	Framing Height	52" (1321mm)	
O	Framing Depth	22" (559mm)	
P	Corner Facing Wall Width	46-1/2" (1181mm)	
Q	Corner Facing Wall Width	65-3/4" (1670mm)	
R	Framed Chase Ceiling	84" (2134mm)	
S1	Vent Centerline Height	44" (1118mm)	
T	Gas Connection Height	1-1/2" (38mm)	
U	Gas Connection Inset	6-3/8" (162mm)	
V	Gas Connection Width	3" (76mm)	
W	Clearance to Corner of Unit	2-3/4"(70mm)	
	Non-combustible Height	10" (254mm)	

*** Important: Framing height requires consideration of the hearth height. Dimension N = N + the thickness of the installed hearth.**



**The framing depth/width does not take into account dry wall/wood or similar materials against the back /side wall. The framing depth will need to change based on the thickness of the material
 (example: M - 36-1/2" framing width + 1/2" drywall = 37")
 (example: M Outside finish with finishing trim/faceplate - 37-1/2" framing width + 1/2" drywall = 38")
 (example: O - 19-1/4" framing depth + 1/2" drywall = 19-3/4")

Vent Restrictor Installation

- Determine the venting configuration.
Note: The Set 1/Set 2 vent restrictor plate is installed from the factory to Set 1 (2" open). Set 3 uses a separate restrictor plate, which is found in the manual package.
- Go to venting arrangements section (in the manual) to determine if a vent restrictor setting is required. (If required, proceed to Step 3).
- Loosen the two screws that secure the top heat deflector and remove top heat deflector (diagram 1).
- Align the vent restrictor plate to the required vent restrictor position as per the Diagrams shown.
- Once the vent restrictor plate is in the required position, secure with 2 - 1/4" x 1/2" screws. Ensure all screws are tight, but do not over tighten.
- Reinstall the top heat deflector removed in step 3.

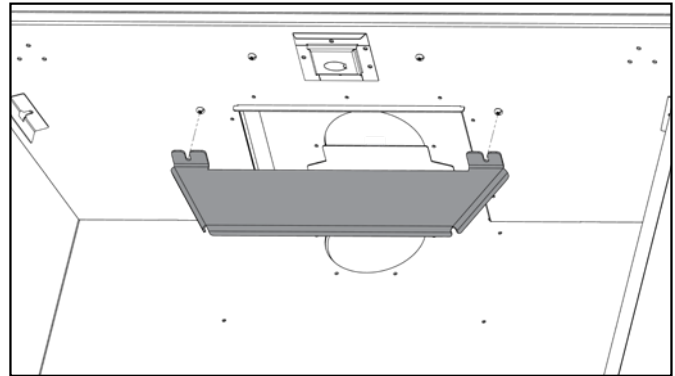


Diagram 1: Top heat deflector

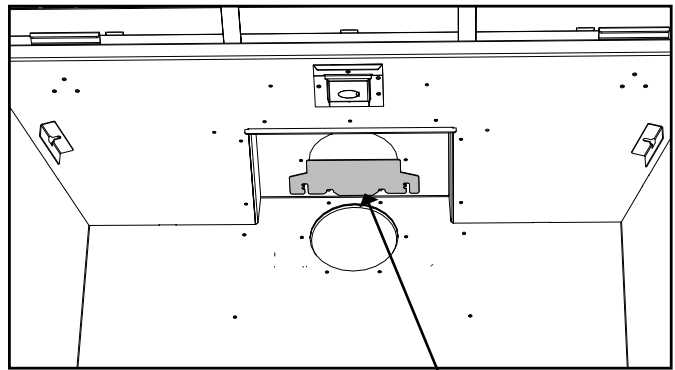


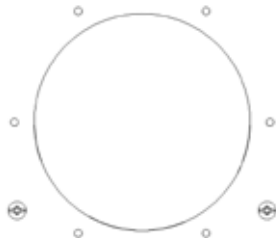
Diagram 2: Vent restrictor located on top exhaust assembly



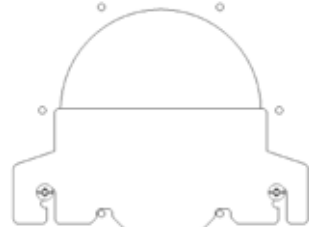
Restrictor plate for Set 1, Set 2
(Part # 761-060F)



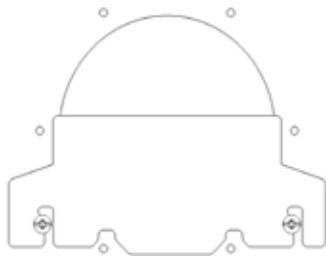
Restrictor plate for Set 3
(Part # 761-143F)



Set 0
Fully Open



Set 1
2" Open
Factory Setting



Set 2
1-3/4" Open



Set 3
1-1/4" Open

Venting Introduction

The G800EH uses the "balanced flue" technology Co-Axial system. The inner liner vents products of combustion to the outside while the outer liner draws outside combustion air into the combustion chamber thereby eliminating the need to use heated room air for combustion and losing warm room air up the chimney.

Note: These flue pipes must not be connected to any other appliance.

The gas appliance and vent system must be vented directly to the outside of the building, and never be attached to a chimney serving a separate solid fuel or gas burning appliance. Each direct vent gas appliance must use its own separate vent system. Common vent systems are prohibited.

Venting Arrangements for Horizontal Terminations - Flex Vent/Rigid Pipe 4" x 6-5/8" (102 mm x 168 mm)

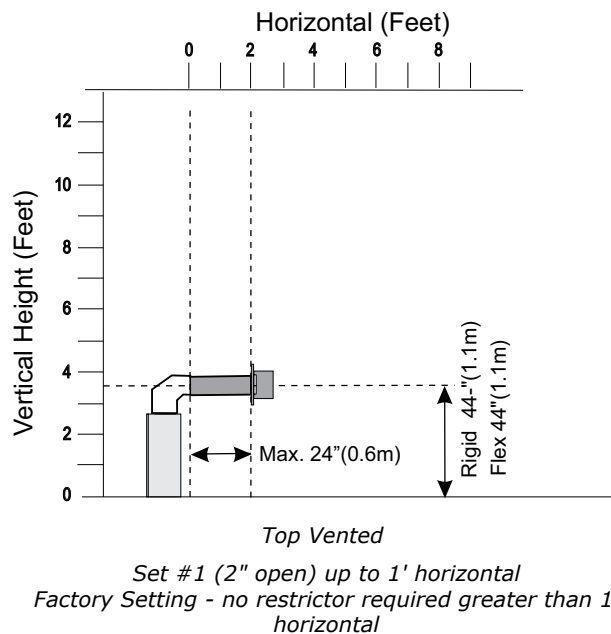
(Propane & Natural Gas)

The Diagram shows minimum vent runs with 4" x 6-5/8" venting using the Regency direct vent system or rigid vent system. A vent guard should be used whenever the termination is lower than the specified minimum or as per local codes.

For horizontal terminations the Regency Direct Vent Flex System may be used for installations with a maximum **continuous** vent maximum horizontal length of 2ft (0.6 m).

Note: Must use optional rigid pipe adaptor (Part # 510-994) when using Rigid Pipe vent systems. Maintain clearance to combustibles.

For all other venting arrangements, see Venting Arrangements - Horizontal Termination - Rigid Pipe and Direct Vent System (Flex) in this manual.



Venting - Direct Vent System (Flex) HORIZONTAL TERMINATIONS ONLY

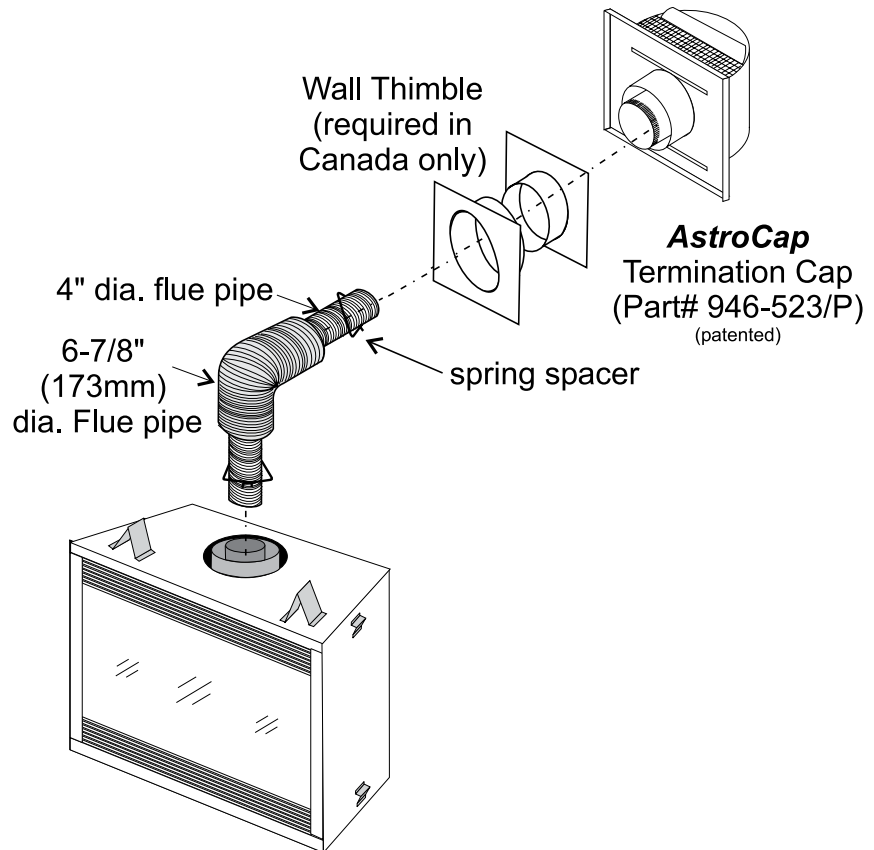
These venting systems, in combination with the G800EH Direct Vent Gas Fireplace, have been tested and listed as a direct vent heater system by Intertek. The location of the termination cap must conform to the requirements in the Vent Terminal Locations diagram in the "Exterior Vent Termination Locations" section.

FPI Direct Vent (Flex) System Termination Kit (Part # 946-515) includes all the parts needed to install the G800EH with a maximum run of 4 feet.

1)	6-7/8" dia. flexible liner (4 ft. length)
2)	4" dia. flexible liner (4 ft. length)
3)	spring spacers (4)
4)	thimble (2)
5)	AstroCap termination cap (1)
6)	screws (12)
7)	tube of Mill Pac (1)
8)	plated screws (8)
9)	screws #8 x 1-1/2" Drill Point, Stainless Steel (4)

If longer runs are needed, the FPI Direct Vent system (Flex) # 946-516 includes all the parts needed to install the G800EH with a maximum 10' run.

1)	6-7/8" dia. flexible liner (10 ft. length)
2)	4" dia. flexible liner (10 ft. length)
3)	spring spacers (7)
4)	thimble (2)
5)	AstroCap termination cap (1)
6)	screws (12)
7)	tube of Mill Pac (1)
8)	plated screws (8)
9)	screws #8 x 1-1/2" Drill Point, Stainless Steel (4)



Notes:

- 1) Liner sections should be continuous without any joints or seams.
- 2) Only Flex pipe purchased from FPI may be used for Flex installations.

Rigid Pipe Venting Systems - Horizontal or Vertical Terminations

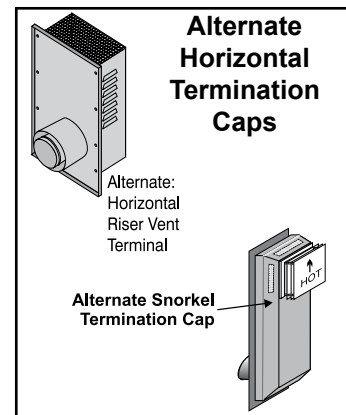
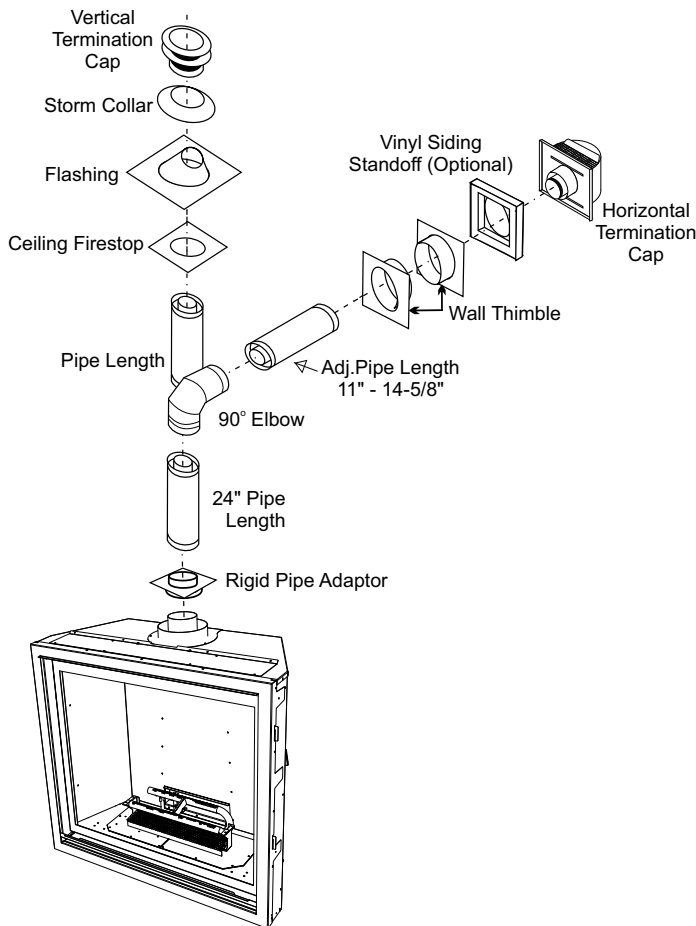
The minimum components required for a basic horizontal termination are:

- 1 Horizontal Termination Cap
- 1 90° Elbow
- 1 Rigid Pipe Adaptor
- 1 Wall Thimble
- 1 Length of pipe to suit wall thickness (see chart)

Wall thickness is measured from the back standoffs to the inside mounting surface of termination cap. For siding other than vinyl furring strips may be used, instead of the vinyl siding standoff, to create a level surface to mount the vent terminal. The Terminal must not be recessed into siding. Measure the wall thickness including furring strips.

If a Vinyl Siding Standoff is required (it must be used with vinyl siding), measure to outside surface of wall without siding and add 2 inches.

Flat Wall Installation	
Wall Thickness (inches)	Vent Length Required (inches)
4" (102mm) - 5-1/2" (140mm)	6" (152mm)
7" (178mm) - 8-1/2" (216mm)	9" (229mm)
10" (254mm) - 11-1/2" (292mm)	12" (305mm)
9" (229mm) - 14-1/2" (368mm)	11" (279mm) - 14-5/8" (371mm) Adj. Pipe
15" (381mm) - 23-1/2" (597mm)	17" (432mm) - 24" (610mm) Adj. Pipe
Corner Installation	
Wall Thickness (inches)	Vent Length Required (inches)
3-1/4" (83mm) - 6-3/4" (171mm)	11" (279mm) - 14-5/8" (371mm) Adj. Pipe
7-3/4" (197mm) - 16-1/4" (413mm)	17" (432mm) - 24" (610mm) Adj. Pipe
7-1/4" (184mm) - 8-3/4" (222mm)	6" (152mm) + 12" (305mm) 9" (229mm) + 9" (229mm)
4-1/4" (108mm) - 5-3/4" (146mm)	6" (152mm) + 9" (229mm)



WARNING:
Do not combine venting components from different venting systems.
However use of the AstroCap™ and FPI Riser is acceptable with all systems.

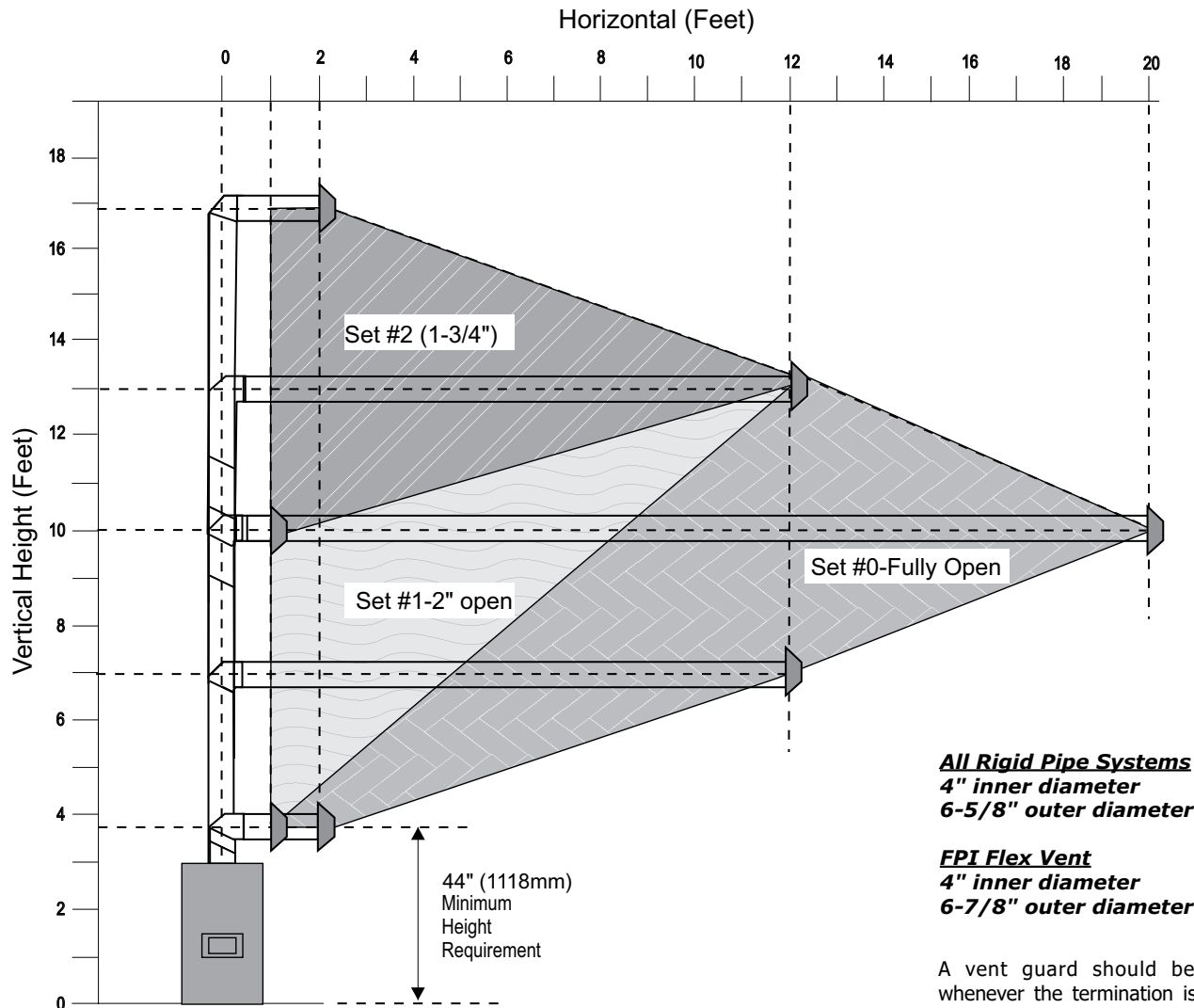
This product has been evaluated by Intertek for using a Rigid Pipe Adaptor in conjunction with DuraVent Direct Vent, Selkirk Direct-Temp, Ameri Vent Direct venting, Olympia Ventis DV and Security Secure Vent systems. Use of these systems with the Rigid Pipe Adaptor is deemed acceptable and does not affect the Intertek WHI listing of components.

The FPI AstroCap™ and FPI Riser Vent terminal are certified for installations using FPI venting systems as well as Simpson Dura-Vent® Direct Vent, American Metal Products, Olympia Ventis DV, Security Secure Vent®, AmeriVent Direct Vent. AstroCap™ is the proprietary trademark of FPI Fireplace Products International Ltd. Dura-Vent® and Direct Vent are registered and/or proprietary trademarks of Simpson Dura-Vent Co. Inc.

Venting Arrangements - Horizontal Termination - Rigid Pipe and Direct Vent System (Flex) (Propane & Natural Gas)

The diagram shows all allowable combinations of vertical runs with horizontal terminations, using one 90° elbow (two 45° elbows equal one 90° elbow).

Note: Must use optional rigid pipe adaptor (Part # 510-994) when using Rigid Pipe venting systems.



All Rigid Pipe Systems
4" inner diameter
6-5/8" outer diameter

FPI Flex Vent
4" inner diameter
6-7/8" outer diameter

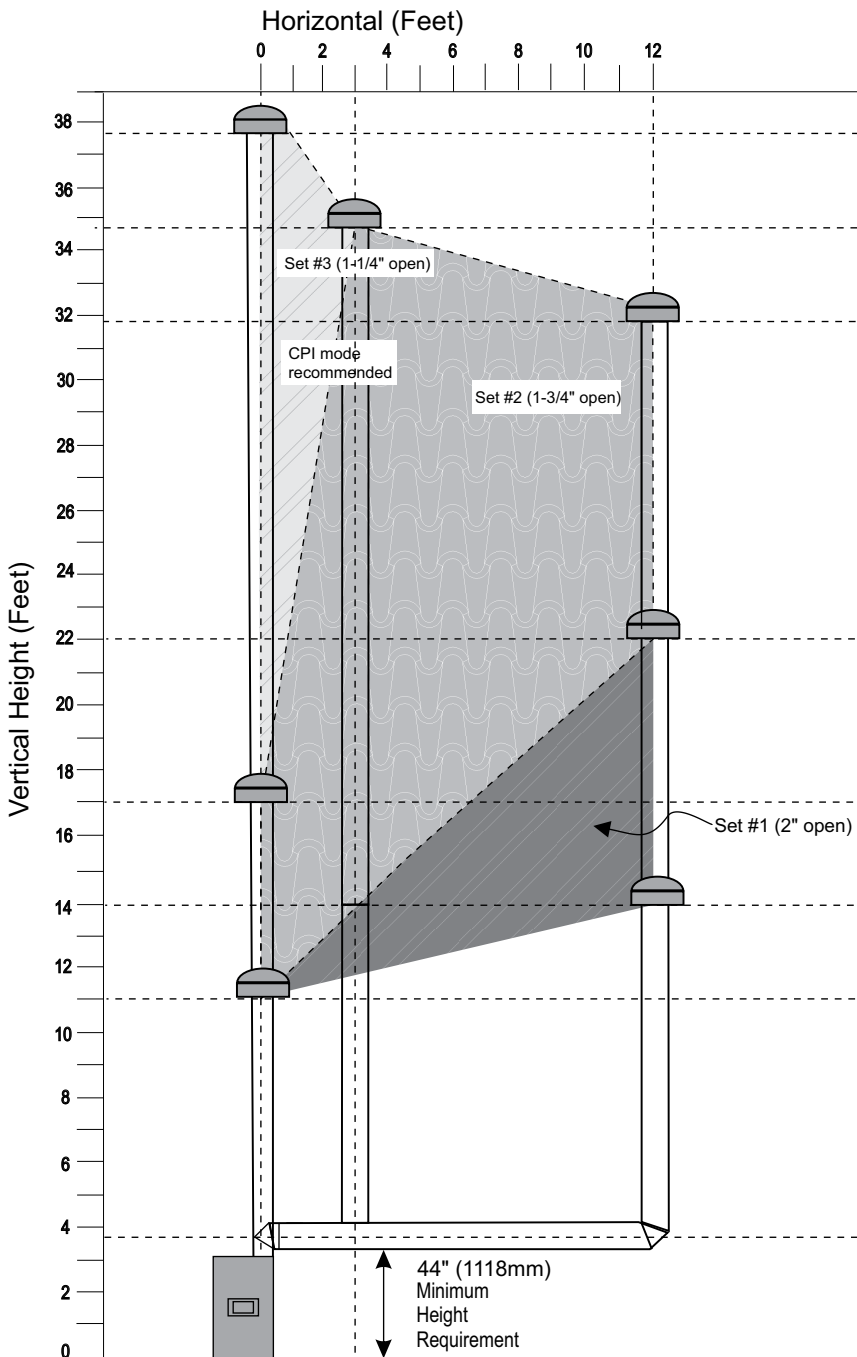
A vent guard should be used whenever the termination is lower than the specified minimum or as per local codes.

- Maintain clearances to combustibles.
- Horizontal vent must be supported every 3 feet.
- Firestops are required at each floor level and whenever passing through a wall.

Note: FPI Direct Vent Flex System Part #: 946-515 (4 foot) and 946-516 (10 foot) are only approved for horizontal terminations. For vent runs longer than 10 ft, only rigid pipe systems may be used.

Venting Arrangements Vertical Termination - Rigid Pipe System and Vertical Flex Kit to Same Limitations (Propane & Natural Gas)

The shaded area in the diagram shows all allowable combinations of straight vertical and offset to vertical terminations, using two 90° elbows, with rigid pipe vent systems for Propane and Natural Gas.



- Vent must be supported at offsets.
- Firestops are required at each floor level and whenever passing through a wall.
- Maintain clearances to combustibles.

Note: Must use optional rigid pipe adaptor when using rigid vent systems (Part # 510-994).

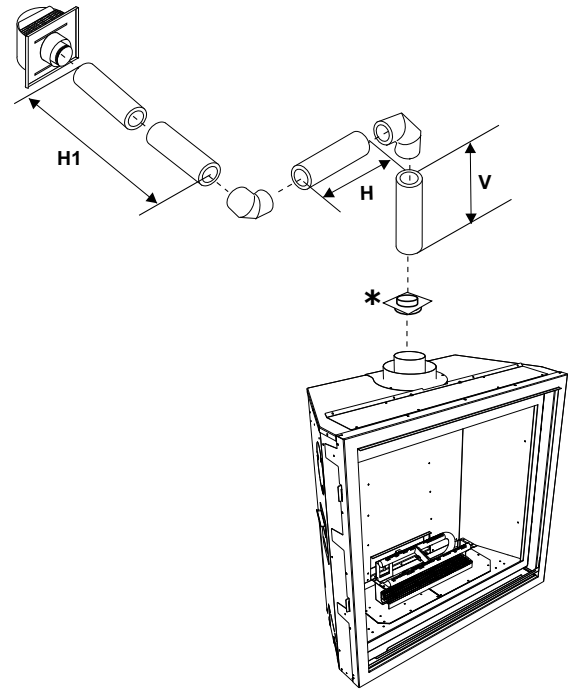
Horizontal Terminations - Two 90° Elbows (Propane & Natural Gas)

Flex venting limited to a maximum of 10 ft. For vent runs longer than 10 ft, only rigid pipe systems may be used.

<i>One 90° elbow = Two 45° elbows.</i>		
Option	V	H + H1
A)	1' (0.3 m) Min.	2' (0.61 m) Max.
B)	1' (0.3 m) Min.	3' (0.91 m) Max.
C)	2' (0.61 m) Min.	4' (1.22 m) Max.
D)	3' (0.91 m) Min.	5' (1.52 m) Max.
E)	4' (1.22 m) Min.	6' (1.82 m) Max.
F)	5' (1.52 m) Min.	7' (2.13 m) Max.
G)	6' (1.82 m) Min.	8' (2.44 m) Max.

With these options, maximum total pipe length is 30 feet (9.14 m) with minimum of 6 feet (1.82 m) total vertical and maximum 8 feet (2.44 m) total horizontal. Please note minimum 1 foot (0.3 m) between 90° elbows is required.

Restrictor Set 0 fully open. Lengths do not include elbows indicated.
*Required when using rigid venting.



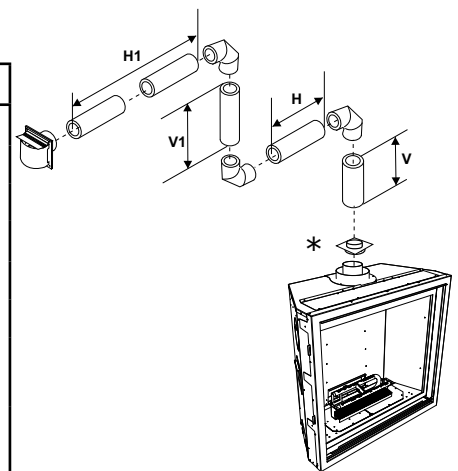
Horizontal Terminations - Three 90° Elbows (Propane & Natural Gas)

Flex venting limited to a maximum of 10 ft. For vent runs longer than 10 ft, only rigid pipe systems may be used.

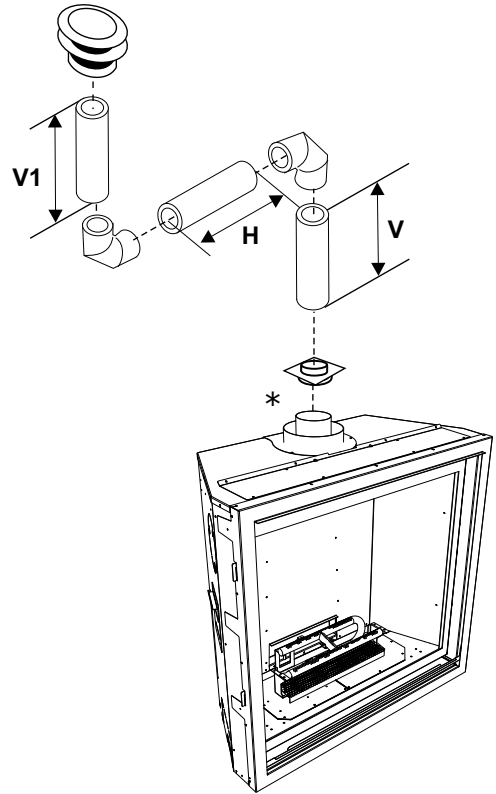
<i>One 90° elbow = Two 45° elbows.</i>				
Option	V	H	V + V1	H + H1
A)	1' (0.3 m) Min.	1' (0.3 m) Max.	1' (0.3 m) Min.	2' (0.61 m) Max.
B)	1' (0.3 m) Min.	2' (0.61 m) Max.	3' (0.91 m) Min.	3' (0.91 m) Max.
C)	2' (0.61 m) Min.	2' (0.61 m) Max.	5' (1.52 m) Min.	4' (1.22 m) Max.
D)	3' (0.91 m) Min.	2' (0.61 m) Max.	7' (2.13 m) Min.	5' (1.52 m) Max.
E)	4' (1.22 m) Min.	3' (0.91 m) Max.	9' (2.74 m) Min.	6' (1.82 m) Max.
F)	5' (1.52 m) Min.	4' (1.22 m) Max.	10' (3.04 m) Min.	7' (2.13 m) Max.
G)	6' (1.82 m) Min.	5' (1.52 m) Max.	11' (3.35 m) Min.	8' (2.44 m) Max.
H)	7' (2.13 m) Min.	6' (1.82 m) Max.	12' (3.66 m) Min.	9' (2.74 m) Max.

With these options, max. total pipe length is 30 feet (9.14 m) with min. of 12 feet (3.66 m) total vertical and max. 9 feet (2.79 m) total horizontal. Please note min. 1 foot (0.3 m) between 90° elbows is required.

Restrictor Set 0 fully open. Lengths do not include elbows included.
*Required when using rigid venting



Vertical Terminations - Vertical Venting With Two 90° Elbows (Propane & Natural Gas) Rigid Pipe System and Vertical Flex Kit to Same Limitations



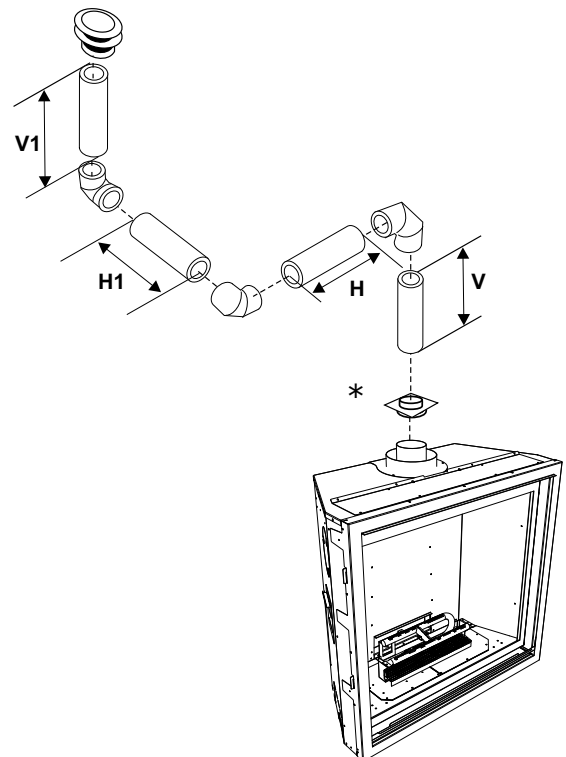
<i>One 90° elbow = Two 45° elbows.</i>			
Option	V	H	V + V1
A)	0' Min.	2' Max.	1' Min.
B)	1' Min.	4' Max.	3' Min.
C)	2' Min.	5' Max.	4' Min.
D)	3' Min.	6' Max.	5' Min.
E)	4' Min.	7' Max.	6' Min.
F)	5' Min.	8' Max.	7' Min.

With these options, maximum total pipe length is 30 feet with minimum of 7 feet total vertical and maximum 8 feet total horizontal.

Please note minimum 1 foot between 90° elbows is required.

Lengths do not include elbow indicated.
*Required when using rigid venting

Vertical Venting With Three 90° Elbows (Propane & Natural Gas) Rigid Pipe System and Vertical Flex Kit to Same Limitations



<i>One 90° elbow = Two 45° elbows.</i>			
Option	V	H + H1	V + V1
A)	0' Min.	2' Max.	2' Min.
B)	1' Min.	2' Max.	3' Min.
C)	2' Min.	3' Max.	4' Min.
D)	3' Min.	4' Max.	6' Min.
E)	4' Min.	5' Max.	7' Min.
F)	5' Min.	6' Max.	8' Min.
G)	6' Min.	7' Max.	9' Min.
H)	7' Min.	8' Max.	10' Min.

With these options, maximum total pipe length is 30 feet with minimum of 10 feet total vertical and maximum 8 feet total horizontal.

Please note minimum 1 foot between 90° elbows is required.

Lengths do not include elbow indicated.
*Required when using rigid venting

Venting Arrangements with Co-linear Flex System Into a Masonry Chimney (Propane & Natural Gas)

THE APPLIANCE MUST NOT BE CONNECTED TO A CHIMNEY FLUE SERVING A SEPARATE SOLID FUEL BURNING APPLIANCE.

This appliance is designed to be attached to two 3" (76mm) co-linear aluminium flex running the full length of the chimney. See the Venting Arrangements on next page for minimum and maximum heights.

Required Parts:

Part #	Description
946-529	Co-linear DV Vertical Termination Cap
948-305	3" Flex - 35 ft.
946-563	Co-Axial to Co-Linear Adapter Kit which contains the following: Co-linear Flex Adapter Outer Pipe Inner Pipe Adapter
510-994	Rigid Pipe Adapter

Alternate Approved Caps

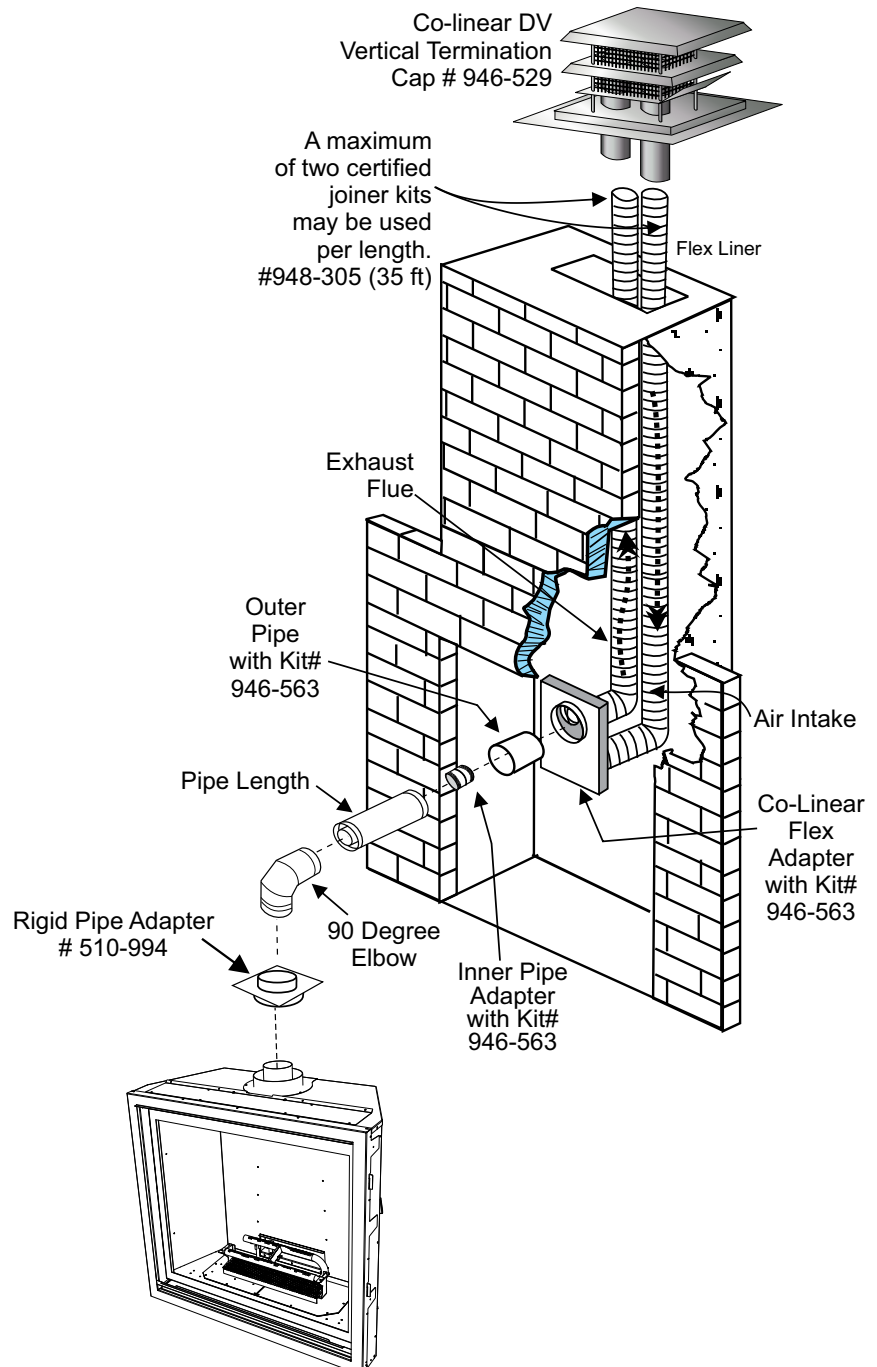
46dva-VC	Vertical Termination Cap
46dva-VCH	High Wind Cap
46dva-GK	3" Co-linear Adapter with flashing

NOTE:

See detailed venting arrangements, vertical terminations, co-linear flex system into masonry fireplaces in this manual.

Masonry chimneys may take various contours which the flexible liner will accommodate. However, **keep the flexible liner as straight as possible**, avoid unnecessary bending.

The Air Intake pipe must be attached to the inlet air collar of the termination cap.



**Venting Arrangement - Vertical Terminations - Co-linear Flex System Into Masonry Fireplaces
(Propane & Natural Gas)**

FOR BOTH RESIDENTIAL & MANUFACTURED HOMES

Restrictor at Set #1 (2" open)

