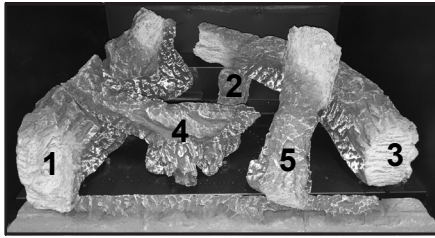
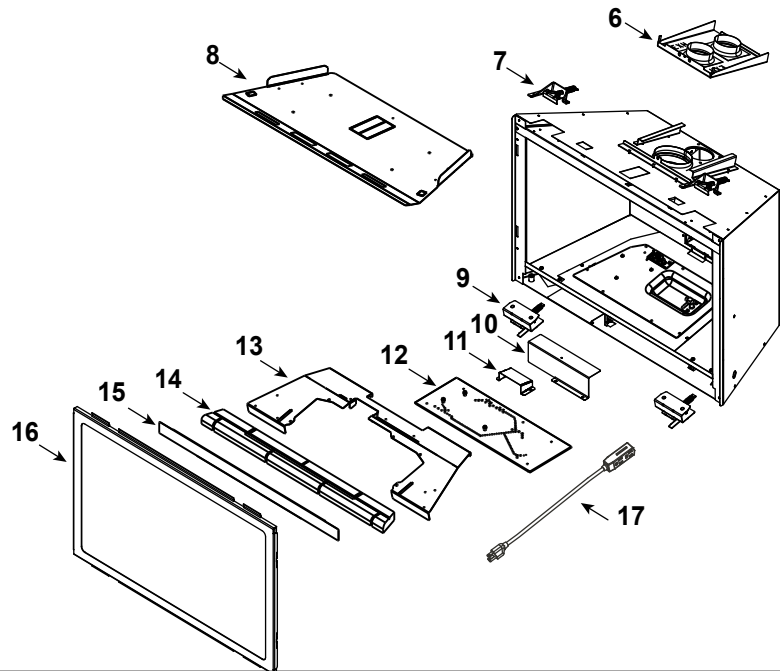


Traditional Log Set Assembly



Birch Log Set Assembly



IMPORTANT: THIS IS DATED INFORMATION. Parts must be ordered from a dealer or distributor. **Hearth and Home Technologies does not sell directly to consumers.** Provide model number and serial number when requesting service parts from your dealer or distributor.

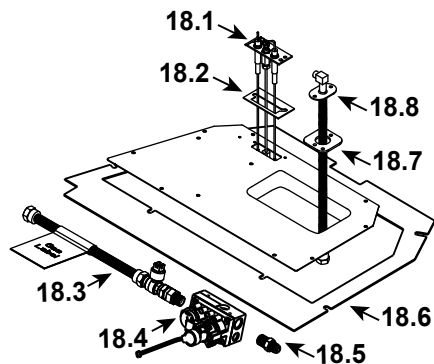


Stocked at Depot

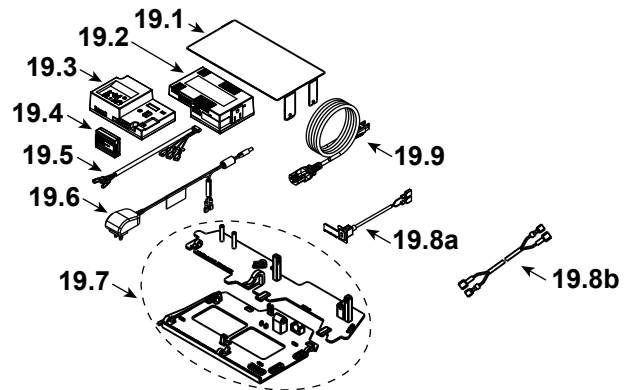
ITEM	DESCRIPTION	COMMENTS		PART NUMBER	
		Traditional	Birch		
	Log Assembly (Hearth Refractory not Included)	LOGS-2531	LOGS-2531-BIRCH		Y
1	Log 1	SRV2531-711	Must order complete assembly		
2	Log 2	SRV2531-712			
3	Log 3	SRV2531-713			
4	Log 4	SRV2531-714			
5	Log 5	SRV2531-715			
6	Slide Plate Assembly			2532-014	
	Tool, Slide Plate (Multi-purpose)			2532-140	
	Gasket			2532-113	
7	Glass Clip Assembly, Top	Qty 2 req		2155-046	
8	Baffle, Firebox			2531-138	
9	Glass Clip Assembly, Bottom	Qty 2 req		2532-009	
10	Air Scoop			2532-135	
11	Pilot Shield			2532-153	
12	Burner Assembly			2531-007	Y
13	Base Pan			2531-130	
14	Hearth Refractory (Not for use with BRICK-MI25-TR/BRICK-MI25-HB)			SRV2540-704	
15	Seal, Glass Frame			2531-122	
16	Glass Door Assembly			GLA-2531	Y
17	Power Cord			2201-024	Y
	Fan			GFK-160A	Y

No one builds a better fire

#18 Valve Assembly



#19 Component Tray



IMPORTANT: THIS IS DATED INFORMATION. Parts must be ordered from a dealer or distributor. **Hearth and Home Technologies does not sell directly to consumers.** Provide model number and serial number when requesting service parts from your dealer or distributor.



**Stocked
at Depot**

ITEM	DESCRIPTION	COMMENTS	PART NUMBER	
18.1	Pilot Assembly NG		2550-013	Y
	Pilot Assembly Propane		2550-014	Y
18.2	Pilot Gasket		2532-134	
18.3	Flex Ball Valve Assembly		2532-081	Y
18.4	Valve NG		SRV2166-302	Y
	Valve Propane		2166-303	Y
18.5	Male Connector	Pkg of 5	303-315/5	Y
18.6	Gasket, Valve Plate		2531-131	
18.7	Gasket, Bulkhead		438-407	
18.8	Bulkhead w/Flex Tube		SRV7000-156	Y
	Orifice NG (#40C)		582-840	Y
	Orifice Propane (#53C)		582-853	Y
19.1	Component Heat Shield		2532-144	Y
19.2	Module, B Type AC		SRV2326-150	Y
19.3	Module, IFT Control		SRV2326-130	Y
19.4	Module, RF FCC		SRV2326-120	Y
19.5	Harness, IFT 6 Pin Wiring		SRV2326-132	Y
19.6	6 Volt DC Power Adapter	Post LC5818239	2326-191	Y
	Transformer, 6 Volt Wall	Pre LC5818239	SRV2326-131	Y
	Jumper Wire, 36" Male/Female	Pre LC5818239	2159-310	Y
	Wall Switch Jumper Wire	Pre LC5818239	SRV2179-300	Y
19.7	Tray, Component & Wire		2532-172	Y
19.8a	Assembly, USB-C Bracket	SN Range LC5673022 - LC6494692	2532-301	Y
19.8b	40" Wire Harness	Post LC6494692	SRV2531-140	Y
19.9	Cable, B Type AC Module		SRV2326-152	Y

Additional service part numbers appear on following page.



Service Parts

SUPREME-I25-IFT/SUPREME-I25-BIR

No one builds a better fire

Beginning Manufacturing Date: March 2019

Ending Manufacturing Date: Active

IMPORTANT: THIS IS DATED INFORMATION. Parts must be ordered from a dealer or distributor. Hearth and Home Technologies does not sell directly to consumers. Provide model number and serial number when requesting service parts from your dealer or distributor.



Stocked at Depot

Table with columns: ITEM, DESCRIPTION, COMMENTS, PART NUMBER, Stocked at Depot. Includes items like Battery Pack, Bolt, Level Leg, Fan Dampener, Back Cover Plate, Jumper Wires, Mineral Wool, RC400 Remote, Screw, Bottom Glass Clip, Touch up Paint, Vermiculite Embers, and Conversion Kits.

**Fuse for battery pack can be sourced locally, not a warranty item. Specs are 250v, 3A fuse, 3/4" long