

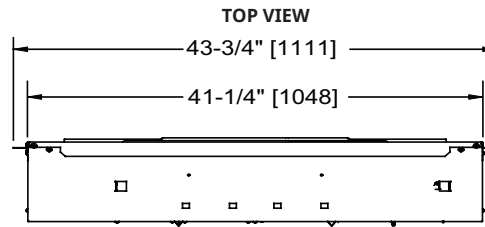
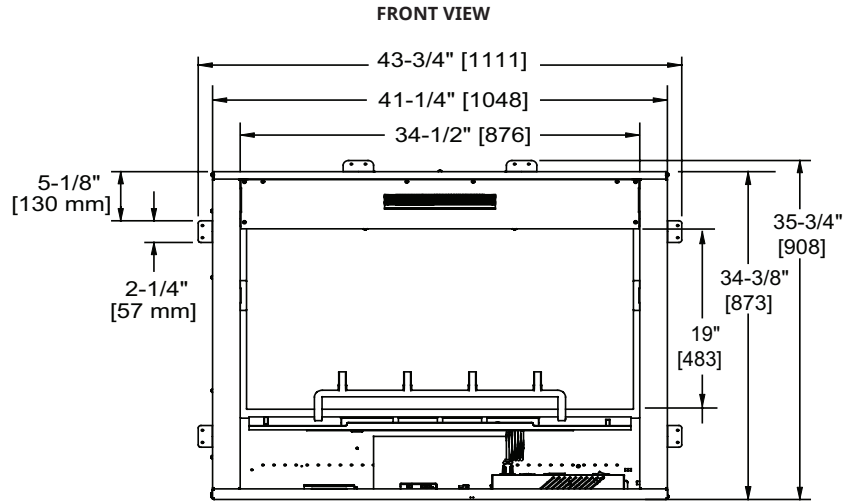
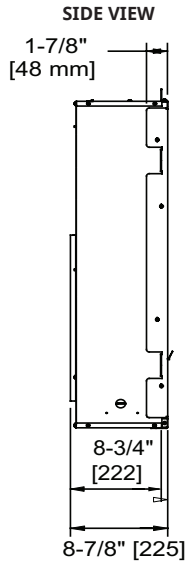


Please consult the manufacturer's installation manual for all details and requirements before making a final design layout decision.

INCEPTION 36"

Electric Fireplace

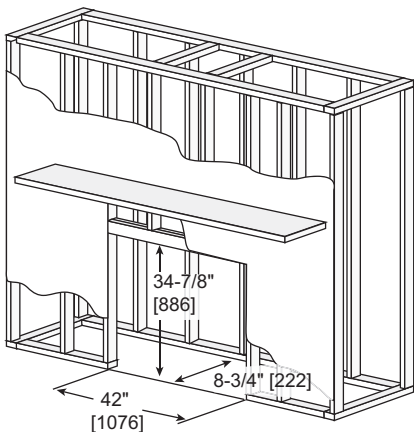
ACTUAL DIMENSIONS	FRONT WIDTH	HEIGHT	DEPTH	VIEWING AREA	BTUs
	41-1/4" [1048]	35-3/4" [908]	8-7/8" [225]	34-1/2" x 19" [876 x 483]	120V=5,000 240V=10,000



ELECTRICAL CONNECTION REQUIREMENTS

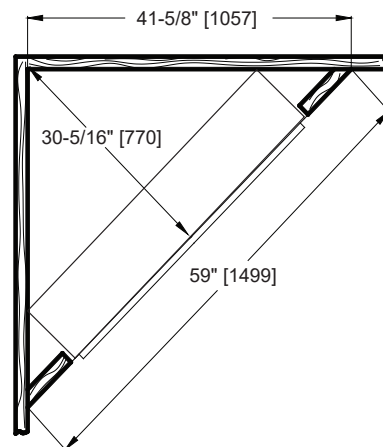
CIRCUIT	CONNECTION METHOD
15 AMP, 120V/60 Hz	Hardwire only
15 AMP, 240V/60 Hz	Hardwire only

FRAMING DIMENSIONS	FRONT WIDTH	HEIGHT	DEPTH	WEIGHT
	42" [1067]	34-7/8" [886]	8-3/4" [222]	80 lbs.



Adjust framing dimensions for interior chase sheathing (such as sheetrock)

BASIC CORNER INSTALLATION



PRODUCT LISTING CODES	
US	CSA 22.2 No 46-13
INTERNATIONAL	CSA 22.2 No 46-13



SimpliFire — A Brand of Hearth & Home Technologies
 7571 215th Street West | Lakeville, MN 55044
 888-427-3973 | 952-985-6000 | fireplaces.com

Product information provided is not complete and is subject to change without notice. Product installation must adhere strictly to instructions accompanying product to avoid risk of fire and potential injury.