

This wood appliance needs periodic inspection and repair. It is against United States federal regulations to operate this wood appliance in a manner inconsistent with the operating instructions in this manual.



INSTALLATION AND OPERATION MANUAL

S25

INSTALLER:

Leave this manual with the appliance.

CONSUMER:

Retain this manual for future reference.

SAFETY INFORMATION

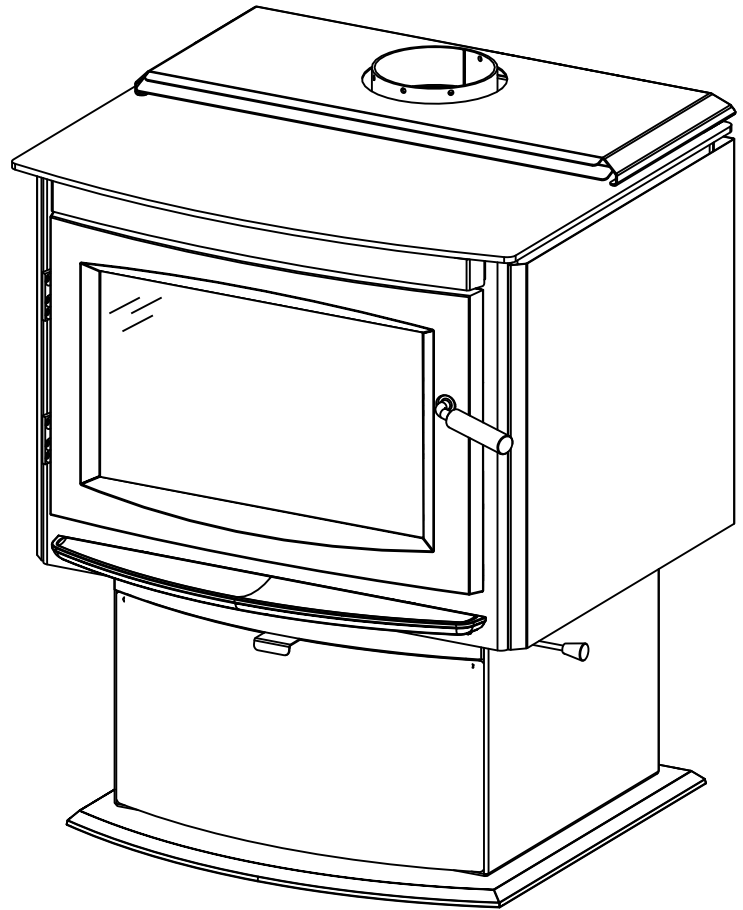
! WARNING

If the information in these instructions are not followed exactly, a fire or explosion may result causing property damage, personal injury or death. Please read the entire manual before you install and use your appliance. This heater has not been tested with an unvented gas log set. To reduce risk of fire or injury, do not install an unvented gas log set into the heater.

- This heater can be very hot when burning.
- Combustible materials such as firewood, wet clothing, etc. placed too close can catch fire.
- Children and pets must be kept from touching the heater when it is hot.
- The chimney must be sound and free of cracks. Before installing this appliance, contact the local building or fire authority and follow their guidelines.
- Always operate this appliance with the door(s) or screen (where applicable) tightly closed.
- Burn wood behind the log retainer directly on the firebricks.
- Do not use an elevated grate or otherwise raise the fire.
- This appliance is designed to burn natural wood only. Higher efficiencies and lower emissions generally result when burning air dried seasoned hardwoods, as compared to softwoods or to green or freshly cut hardwoods.
- Do not start a fire with chemicals or fluids such as gasoline, engine oil, etc.
- Do not burn trash or garbage, lawn clippings/waste, rubber, waste petroleum products, paints or paint thinners/solvents, plastic, materials containing asbestos, construction debris, railroad ties or treated wood, manure or animal remains, salt water driftwood or salted materials, unseasoned wood, coal, charcoal, coloured paper, cardboard, plywood or particleboard. Burning these materials may result in release of toxic fumes or render the appliance ineffective and cause smoke.
- Do not let the appliance become hot enough for any part to glow red.

Wood Stoves ONLY

- At least 14 squares inches (90.3 square centimeters) of outside air must be admitted to the room or directly to the appliance through a 4" (101.6mm) diameter pipe.
- KEEP THE STOVE TOP TEMPERATURE BELOW 700°F (371°C). Attempts to achieve heat output rates that exceed design specifications can result in steel distortion and damage.



FOR INDOOR USE ONLY

U.S. ENVIRONMENTAL PROTECTION AGENCY (E.P.A.) CERTIFIED TO COMPLY WITH 2020 PARTICULATE EMISSION STANDARDS USING CORD WOOD. THIS APPLIANCE HAS BEEN TESTED BY POLYTESTS AND LISTED BY CSA GROUP TO STANDARDS: ULC S627 AND UL1482. ASTM E3053-17; ASTM E2515-11 METHODS ALT-125 AS REFERENCED INTO 40 CFR PART 60 SUBPART AAA. REFERENCE #: 161746

THE AUTHORITY HAVING JURISDICTION (SUCH AS MUNICIPAL BUILDING DEPARTMENT, FIRE DEPARTMENT, FIRE PREVENTION BUREAU, ETC.) SHOULD BE CONSULTED BEFORE INSTALLATION TO DETERMINE THE NEED TO OBTAIN A PERMIT.



Wolf Steel Ltd., 24 Napoleon Rd., Barrie, ON, L4M 0G8 Canada / 103 Miller Drive, Crittenden, Kentucky, USA, 41030
 Phone 1 (866) 820-8686 • www.napoleon.com • hearth@napoleon.com


WARNING

- This appliance is hot when operated and can cause severe burns if contacted.
- Any changes or alterations to this appliance or its controls can be dangerous and is prohibited.
- Do not operate appliance before reading and understanding operating instructions. Failure to operate appliance according to operating instructions could cause fire or injury.
- Before installing this appliance, contact the local building or fire authority and follow their guidelines.
- This appliance must be installed by a qualified installer. Never try to repair or replace any part of the appliance unless instructions are given in this manual. All other work should be done by a trained technician.
- Risk of burns. The appliance should be turned off and cooled before servicing.
- Do not operate without fully assembling all components. Do not install damaged, incomplete or substitute components.
- Do not let the appliance become hot enough for any part to glow red.
- Risk of cuts and abrasions. Wear protective gloves, footwear and safety glasses during installation. Sheet metal edges may be sharp.
- All wiring should be done by a qualified electrician and shall be in compliance with local codes. In the absence of local codes, use the current CSA22.1 Canadian Electric Code in Canada or the current National Electric Code ANSI/NFPA No. 70 in the United States.
- If equipped, burning your appliance with the ash dump door ajar creates a fire hazard that may result in discoloration to the door, internal damage to the appliance or a house and/or chimney fire.
- Do not connect this appliance to a chimney flue serving another appliance.
- Clothing or other flammable material should not be placed on or near the appliance. Objects placed in front of the appliance must be kept a minimum of 48" (121.9cm) away from the front face of the appliance.
- Due to high temperatures, the appliance should be located out of traffic and away from furniture and draperies.
- Even after the appliance is off, it will remain hot for an extended period of time.
- Any safety screen or guard removed for servicing must be replaced prior to operating the appliance.
- Under no circumstances should this appliance be modified.
- This appliance must not be connected to a chimney flue pipe servicing a separate solid fuel burning appliance.
- Do not operate the appliance with the glass door removed, cracked or broken. Replacement of the glass should be done by a licensed or qualified service person.
- Do not strike or slam shut the appliance glass door.
- Only doors / optional fronts certified with the appliance are to be installed on the appliance.
- If the appliance is not properly installed, a house fire may result. Do not expose the appliance to the elements (ex. rain, etc.) and keep the appliance dry at all times. Wet insulation will produce an odour when the appliance is used.
- The chimney must be sound and free of cracks. Clean your chimney a minimum of twice a year and as required.
- Children and adults should be alerted to the hazards of high surface temperature and should stay away to avoid burns or clothing ignition.
- Young children should be carefully supervised when they are in the same room as the appliance. Toddlers, young children and others may be susceptible to accidental contact burns. A physical barrier is recommended if there are at risk individuals in the house. To restrict access to an appliance or stove, install an adjustable safety gate to keep toddlers, young children and other at risk individuals out of the room and away from hot surfaces.
- Ensure you have incorporated adequate safety measures to protect infants/toddlers from touching hot surfaces.
- Check with your local hearth specialty dealer for safety screens and hearth guards to protect children from hot surfaces. These screens and guards must be fastened to the floor.
- Keep the packaging material out of reach of children and dispose of the material in a safe manner. As with all plastic bags, these are not toys and should be kept away from children and infants.
- Do not start a fire with chemicals or fluids such as gasoline, engine oil, etc.



 **WARNING**

- Your appliance requires periodic maintenance and cleaning. Failure to maintain your appliance may lead to smoke spillage in your home.
- Ashes must be disposed in a metal container with a tight lid and placed on a non-combustible surface well away from the home or structure until completely cool.
- Ensure clearances to combustibles are maintained when building a mantel or shelves above the appliance. Elevated temperatures on the wall or in the air above the appliance can cause melting, discolouration or damage to decorations, a TV or other electronic components.

 **WARNING:** This product can expose you to chemicals including lead and lead compounds, which are known to the State of California to cause cancer, and chemicals including carbon monoxide, which are known to the State of California to cause birth defects or other reproductive harm. For more information, go to www.P65Warnings.ca.gov.

For wood appliances:

- Lower emissions generally result when burning air dried seasoned hardwoods, as compared to softwoods or too green or freshly cut hardwoods. Burning wet unseasoned wood can cause excessive creosote accumulation. When this is ignited it can cause a chimney fire that may result in a serious house fire.
- This appliance is designed to burn natural wood only. Do not burn trash or garbage, lawn clippings / waste, rubber, waste petroleum products, paints or paint thinners / solvents, plastic, materials containing asbestos, construction debris, railroad ties or treated wood, manure or animal remains, salt water driftwood or salted materials, unseasoned wood, coal, charcoal, coloured paper, gift wrapping, cardboard, plywood or particleboard. Burning these materials may result in release of toxic fumes or render the appliance ineffective and cause smoke.
- Burn wood directly on the firebricks. Do not elevate grate or otherwise raise the fire.
- Do not store wood within appliance installation clearances or within the space required for re-fueling and ash removal.
- If equipped, the catalyst must be installed and in good working order. It is recommended that the catalyst is inspected at least three times per heating season.

table of contents

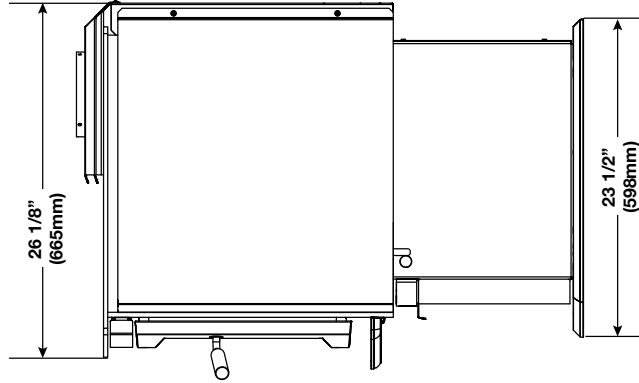
1.0	general information	5	7.0	maintenance	32
1.1	dimensions	5	7.1	ash removal procedures	32
1.2	specifications	6	7.1.1	ash removal with ash disposal kit	32
1.3	general instructions	6	7.2	creosote formation and removal	33
1.4	general information	7	7.3	runaway or chimney fire	33
1.5	rating plate information	8	7.4	chimney cleaning	33
2.0	installation planning	9	7.5	door glass replacement	34
2.1	appliance placement	9	7.6	care of glass	35
2.2	pedestal back plate installation	9	7.7	door gasket replacement	35
2.3	mobile home (U.S. only)	10	7.8	wood	36
2.4	minimum clearance to combustibles	11	8.0	replacement parts	37
2.6	floor protection	12	8.1	overview part 1	38
2.7	outside air	12	8.2	overview part 2	39
3.0	installation	13	9.0	accessories	40
3.1	chimney	14	10.0	troubleshooting	41
3.1.1	chimney connection	15	11.0	warranty	42
3.1.2	adding sections	16	12.0	notes	43
3.1.3	typical through the ceiling	17			
3.1.4	typical through the wall	18			
3.1.5	typical existing masonry	19			
4.0	finishing	20			
4.1	door removal	20			
4.2	door handle installation	21			
4.3	brick and baffle installation	22			
4.4	secondary air tubes	23			
4.5	ash lip removal / installation	24			
4.6	logo placement	24			
5.0	optional installation	25			
5.1	blower kit installation	25			
5.2	ash disposal kit (ADS2530)	26			
6.0	operation	27			
6.1	optimum burn method	28			
6.2	optional blower operation	28			
6.3	air control	29			
6.4	fire extinguishers / smoke & carbon monoxide detectors	29			
6.5	fuel	30			
6.6	lighting a fire	30			
6.6.1	flash fire	30			
6.6.2	extended fire	31			
6.7	smoking	31			

note:

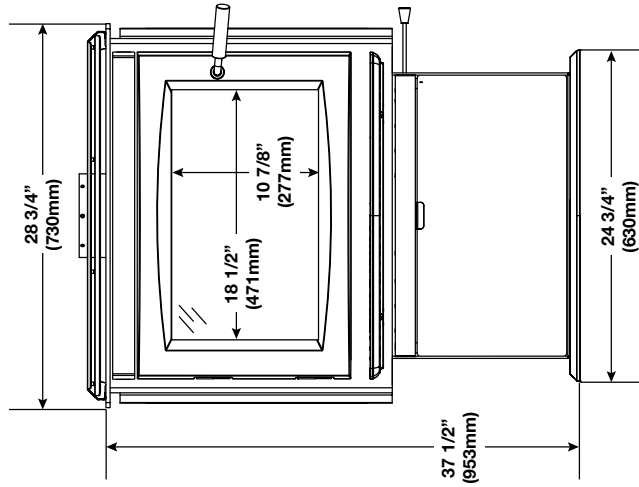
The information throughout this manual is believed to be correct at the time of printing. Wolf Steel Ltd. reserves the right to change or modify any information within this manual at any time without notice. Changes, other than editorial, are denoted by a vertical line in the margin.

1.1 dimensions

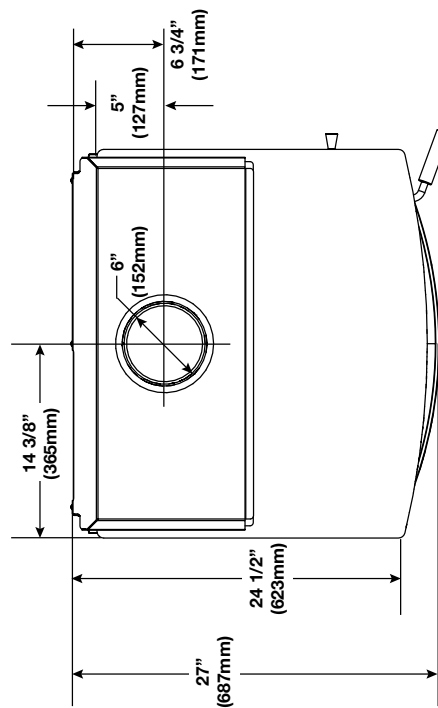
RIGHT SIDE VIEW



FRONT VIEW



TOP VIEW



general information

1.2 specifications

Specifications			
Emissions	1.30 grams / hour		
Efficiency	Overall	LHV	HHV
	71.56%	76.99%	71.56%
Chamber (D.W.H)	18" x 23 1/2" x 11" (457mm x 597mm x 279mm)		
Capacity	2.51 cubic feet (0.07 cubic meters)		
Viewing Area	200.6 in ² (1294.1cm ²)		
Approx. area heated**	Up to 2,100 ft ² (195.1 m ²)		
Maximum heat output***	70,000 BTU /Hr		
Heat output*	19,195 - 54,057 BTU/Hr		
Duration low fire**	16.26 hours		
Weight w/o bricks	378.4 lbs (171.6kg)		
Weight of bricks	48 lbs (21.7kg)		
Ideal wood length	Front-back loading	17" (432mm)	
	Left-right loading	23" (584mm)	
Minimum Stack Height ****	15 feet (4.5m)		
Efficiency Standard	B415.1-10		

* As tested using test method ALT-125.

** Figures will vary considerably with individual conditions.

*** Wolf Steel Ltd. estimated realistic BTU/hr with hardwood logs and regular refueling.

**** Required in order to achieve proper draft.

1.3 general instructions

WARNING

- All wiring should be done by a qualified electrician and shall be in compliance with local codes. In the absence of local codes, use the current CSA C22.1 Canadian Electric Code (in Canada) or the ANSI / NFPA N° 70 National Electric Code in the United States.
- Burning your appliance with the ash well open or the ash door ajar creates a fire hazard and may cause internal damage to the appliance or a house and/or chimney fire.
- Do not connect this appliance to a chimney flue serving another appliance. Do not connect to or use in conjunction with any air distribution ductwork unless specifically approved for such installations.
- Provide adequate clearance for servicing and operating the appliance.
- Provide adequate ventilation.
- Never obstruct the front opening of the appliance.
- Objects placed in front of the appliance must be kept a minimum of 48" (121.9cm) from the front face of the appliance.
- When the room heater is not properly installed, a house fire may result. To reduce the risk of fire, follow the installation instructions. Contact local building or fire officials about restrictions and installation inspection requirements in your area.
- **MOBILE HOME INSTALLATION (US ONLY):** Do not install in a sleeping room. The structural integrity of the mobile home floor, walls, and ceiling/roof must be maintained.

- Before beginning your installation, consult with your local building code agency or fire officials and insurance representative to ensure compliance.
- Non-toxic smoke will be emitted during the paint curing process, to help dissipate the smoke open a window near the appliance.
- Remove any dust or debris off the top of the appliance before firing the appliance as the paint will become soft as the appliance heats up and will harden as the appliance cures. To cure the paint on your appliance burn your appliance moderately hot during the first few fires.

- To keep the gasket from sticking to the appliance as the paint is curing, periodically open the door every 5-10 minutes.
- For the first two weeks use generous amounts of fuel and burn the appliance with the damper wide open for an hour as the appliance goes through a process of eliminating moisture in the steel and firebricks. The initial heat output will be reduced while the moisture is being drawn from the appliance and it will be necessary to build several hot fires to remove this moisture. **DURING THIS PROCESS DO NOT OVERFIRE THE APPLIANCE. REDUCE THE AMOUNT OF AIR COMING INTO THE APPLIANCE IF THE APPLIANCE OR CHIMNEY BECOMES RED.**

1.4 general information

! WARNING

- Do not operate this appliance without the pedestal installed.

This appliance was specifically designed over many months of research to meet the 2020 U.S.A. EPA particulate emission standards and has been extensively tested in Canadian laboratories. This system is the most efficient, simple and trouble-free we know and works as follows:

Secondary air from the rear opening travels up the back in the secondary air housing to the manifold located at the top and shoots out laterally to oxidize the gases below the smoke exit.

The lower combustion chamber is lined with high temperature firebricks on 2 sides, the back and across the bottom, with a layer of fibre baffles at the top to maintain a high temperature in the combustion chamber so that gases mixing with the preheated air from the secondary air manifold tube are easily ignited and burned. The appliance sides and back are shielded to direct the heat upwards and forwards into the room.

Be sure to provide sufficient combustion air. There are many other appliances in your home competing for air such as: a kitchen range hood, forced air heating devices, clothes dryer or a bathroom exhaust blower.

After extended periods of non-operation such as following a vacation or a warm weather season, the appliance may emit a slight odour for a few hours. This is caused by dust particles on the firebox burning off. Open a window to sufficiently ventilate the room.

If you experience smoking problems, you may need to open a door, a window or otherwise provide some method of supplying combustion air to the appliance.

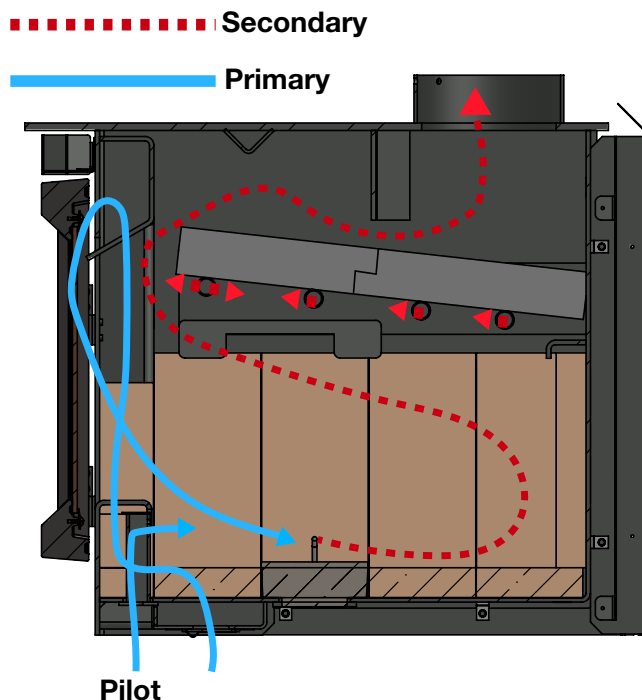
Do not use makeshift compromises during installation. Do not block or restrict air, grille, or louvre openings. Do not add a hood. Burning your appliance with the door open or ajar creates a fire hazard that may result in a house and/or chimney fire.

All venting connections must be in compliance with the chimney manufacturer's installation instructions. Clearances referred to throughout this manual are the minimum requirements.

Your appliance must be installed in accordance with all national and local building code standards and the standard of Chimney and Appliances, Vents and Solid Fuel Burning Appliances NFPA #211. Consult the authority having jurisdiction (such as municipal building department, fire department, fire prevention bureau, etc.) to determine the need to obtain a permit. If you are in doubt about the proper installation for your situation, contact your dealer or local building or fire official. The manufacturer does not guarantee that this appliance and its options will completely heat your entire home.

Expansion / contraction noises during heating up and cooling down cycles are normal and to be expected.

It is recommended that in all cases, including when using an outside air kit, the appliance be secured to the floor.



We suggest that our woodburning hearth products be installed and serviced by professionals who are certified in the U.S. by the National Fireplace Institute® (NFI) as NFI Woodburning Specialists or who are certified in Canada by Wood Energy Technical Training (WETT).




general information

1.5 rating plate information

This illustration is for reference only. Refer to the rating plate on the appliance for accurate information.

note:

The rating plate must remain with the appliance at all times. It must not be removed.



LISTED SOLID FUEL BURNING SPACE HEATER / POËLE À COMBUSTIBLE SOLIDE HOMOLOGUÉ.
TESTED TO / TESTÉ SELON:
UL1482 - 2011 / ULC S627 - 00
MODEL / MODÈLE: S25 / T25

REFERENCE #: 161746

THIS WOOD HEATER NEEDS PERIODIC INSPECTION AND REPAIR FOR PROPER OPERATION. CONSULT THE OWNER'S MANUAL FOR FURTHER INFORMATION. IT IS AGAINST FEDERAL REGULATIONS TO OPERATE THIS WOOD HEATER IN A MANNER INCONSISTENT WITH THE OPERATING INSTRUCTIONS IN THE OWNER'S MANUAL. / CE POËLE À BOIS DOIT ÊTRE INSPECTÉ ET RÉPARÉ PÉRIODIQUEMENT POUR UN FONCTIONNEMENT CORRECT. CONSULTEZ LE MANUEL DU PROPRIÉTAIRE POUR PLUS D'INFORMATIONS. IL EST CONTRE LES RÉGLEMENTS FÉDÉRAUX POUR FAIRE FONCTIONNER CE POËLE À BOIS D'UNE MANIÈRE INCOMPATIBLE AVEC LES INSTRUCTIONS DE FONCTIONNEMENT DANS LE MANUEL DU PROPRIÉTAIRE. INSTALL AND USE ONLY IN ACCORDANCE WITH WOLF STEEL LTD.'S INSTRUCTIONS. CONTACT LOCAL BUILDING OR FIRE OFFICIALS ABOUT RESTRICTIONS AND INSTALLATION INSPECTION IN YOUR AREA. MINIMUM CEILING HEIGHT: 7'7" (2.30M) USING A SINGLE WALL CONNECTOR.

HEARTH EXTENSION / COMBUSTIBLE FLOOR PROTECTION: MUST BE NON-COMBUSTIBLE AND EXTEND 18" (455MM) IN CANADA / 18" (406mm) IN THE USA IN FRONT OF THE INSERT AND 24" (603MM) ON BOTH SIDES WITH A THERMAL CONDUCTIVITY FACTOR OF (K) 0.04.

CHIMNEY TYPE: MINIMUM 6" (152MM) DIAMETER LISTED (UL 103HT) RESIDENTIAL CHIMNEY.

CHIMNEY CONNECTOR: 6" (152MM) DIAMETER MINIMUM 24 GAUGE STEEL. MINIMUM CLEARANCE FROM HORIZONTAL CONNECTOR AND CEILING 18" (455MM). DO NOT OBSTRUCT SPACE UNDER HEATER. SPECIAL METHODS ARE REQUIRED WHEN PASSING A CHIMNEY THROUGH A WALL OR CEILING. SEE INSTRUCTIONS AND BUILDING CODES. DO NOT CONNECT THIS UNIT TO A CHIMNEY FLUE SERVING ANOTHER APPLIANCE.

WARNING: FOR USE WITH SOLID WOOD FUEL ONLY. DO NOT BURN ANY OTHER TYPE OF FUEL. DO NOT USE GRATE OR ELEVATE FIRE. BUILD WOOD FIRE DIRECTLY ON HEARTH.

WARNING: RISK OF SMOKE SPILLAGE. OPERATE ONLY WITH DOOR FULLY CLOSED. REPLACE GLASS ONLY WITH 5MM CLEARING GLASS.

DANGER: RISK OF ELECTRICAL SHOCK. DISCONNECT POWER BEFORE SERVICING UNIT.

SUITABLE FOR MOBILE HOMES IN THE USA ONLY.

POUR INSTALLATION ET UTILISATION CONFORMÉMENT AUX INSTRUCTIONS DE WOLF STEEL LTDÉ. RENSEIGNEZ-VOUS ALORS DES AUTORITÉS LOCALES DU BÂTIMENT OU DU SERVICE DES INCENDIES AU SUIVET DES RESTRICTIONS ET DES INSPECTIONS D'INSTALLATION DANS VOTRE RÉGION.

HAUTEUR DE PLAFOND MINIMUM: 2'3" (0.70M) EN UTILISANT UN TUYAU DE RACCORDEMENT À PARI SIMPLE.

BASE DE PROTECTION / PROTECTION DU PLANCHER COMBUSTIBLE: DOIT ÊTRE DE MATIÈRE NON-COMBUSTIBLE ET SE Prolonger DE 18" (406MM) AUX É.-U. / 18" (1457MM) AU CANADA, L'AVANT DE L'ENCASTRE ET 24" (603MM) SUR LES CÔTÉS AVEC UN FACTEUR DE CONDUCTIVITÉ THERMIQUE DE (K) 0.04.

TYPE DE CHIMÈNEE: CHIMÈNEE RÉSIDENTIELLE DE 6" DE DIAMÈTRE (152MM) HOMOLOGUÉE (UL 103HT).

RACCORDEMENT DE CHIMÈNEE: DIAMÈTRE DE 6" (152MM) D'UN CÂBLE DE CALIBRE 24 MINIMUM. 18" (455MM) DE DÉGAGEMENT MINIMAL ENTRE LE RACCORDEMENT HORIZONTAL ET LE PLAFOND. NE RIEN ENTREPOSER SOUS LE CHAUFFAGE. DES MÉTHODES SPÉCIALES SONT REQUISES LORSQU'UNE CHIMÈNEE TRAVERSE UN MUR OU UN PLAFOND. VOIR LES INSTRUCTIONS ET LES CODES DU BÂTIMENT NE PAS RACCORDER LA CHIMÈNEE D'UN AUTRE APPAREIL.

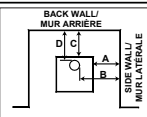
AVERTISSEMENT: POUR L'USAGE AVEC LE BOIS SÉLÈMMENT, NE BRÛLEZ PAS AUCUN AUTRE TYPE DE COMBUSTIBLE. N'UTILISEZ PAS DE CHENET OU NE SURÉLÈVEZ PAS LE BOIS. PRÉPAREZ LE FEU DIRECTEMENT SUR LA LÂTÈRE.

AVERTISSEMENT: RISQUE DE DÉCHAPPEMENT DE FUMÉE. TENIR LA PORTE FERMÉE LORSQUE LE POËLE FONCTIONNE. REMPLACEZ LA VITRE PAR UNE VITRE EN CÉRAMIQUE SAN SÈLÈMMENT. SURCHAUFFÉ PAS L'APPAREIL. SI L'APPAREIL OU LES RACCORDEMENTS ROUSSENT, L'APPAREIL SURCHAUFFÉ. INSPECTEZ ET NETTOYEZ LA CHIMÈNEE FRÉQUEMMENT. DANS CERTAINES CONDITIONS, DES DÉPÔTS DE CRÉOSOTES PEUVENT SE FORMER RAPIDEMENT.

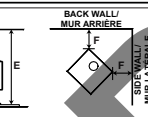
SOUS-ÉLÈME OPTIONNELLE: NÉP70 (S25) / EP770 (T25). 115V, 60HZ, 0.5A. TENEZ LE CORDON ÉLECTRIQUE LOIN DE L'APPAREIL.

DANGER: RISQUE DE SECOURS ÉLECTRIQUE. DÉBRANCHEZ AVANT DE PROCÉDER À L'ENTRETIEN.

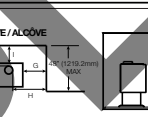
ADAPTE AUX MAISONS MOBILES: **AUX ÉTATS-UNIS UNIQUEMENT.**



BACK WALL / MUR ARRIÈRE



BACK WALL / MUR ARRIÈRE



ALCOVE / ALCOVE

CONFIGURATION	SIDE WALL / MUR DE CÔTÉ (A)	SIDE WALL TO FLUE / MUR DE CÔTÉ À BUSE (F)	BACK WALL / MUR ARRIÈRE (C)	BACK WALL TO FLUE / MUR ARRIÈRE À BUSE (E)	CEILING / PLAFOND (D)
STRAIGHT with single wall pipe / ÉPOT avec tuyau de raccordement à pari simple			9 1/2" (24.1cm)	7 1/2" (19.0cm)	84" (213.3cm)
STRAIGHT with double wall pipe / ÉPOT avec tuyau de raccordement à pari double	16 1/4" (41.2cm)	27 1/2" (69.8cm)	6 1/2" (16.5cm)	7 1/2" (19.0cm)	
Through the wall with single wall pipe / À travers le mur avec tuyau de raccordement à pari simple			9 1/2" (24.1cm)	7 1/2" (19.0cm)	
Through the wall with double wall pipe with / À travers le mur avec tuyau de raccordement à pari double			6 1/2" (16.5cm)	7 1/2" (19.0cm)	
* STRAIGHT with single wall pipe / * ÉPOT avec tuyau de raccordement à pari simple			14 1/2" (36.8cm)	13 1/2" (34.3cm)	
* STRAIGHT with double wall pipe / * ÉPOT avec tuyau de raccordement à pari double			12 1/2" (31.7cm)	13 1/2" (34.3cm)	
* Through the wall with single wall pipe / * À travers le mur avec tuyau de raccordement à pari simple	16 1/4" (41.2cm)	27 1/2" (69.8cm)	14 1/2" (36.8cm)	16" (40.6cm)	96" (243.8cm)
* Through the wall with double wall pipe / * À travers le mur avec tuyau de raccordement à pari double			12 1/2" (31.7cm)	13 1/2" (34.3cm)	

* The top heat shield (T.H.S.) may be removed if desired; however, this will increase clearances to combustibles. Please read the table carefully. / Le bouclier thermique supérieur (B.T.S.) peut être retiré si on le désire; cependant, cela augmentera les dégagements aux combustibles. Veuillez lire attentivement le tableau.

Clearances can be reduced with shielding acceptable to local authorities. Reduced installation must comply with NFPA 211 or CAN/CSA-S365. / Il est possible de réduire les dégagements à l'aide d'un protecteur conforme aux normes des autorités locales. Une installation réduite doit être conforme aux normes NFPA 211 ou au CAN/CSA S365.

CONFIGURATION	SIDE WALL / MUR DE CÔTÉ (A)	SIDE WALL TO FLUE / MUR DE CÔTÉ À BUSE (F)	BACK WALL / MUR ARRIÈRE (C)	BACK WALL TO FLUE / MUR ARRIÈRE À BUSE (E)	CEILING / PLAFOND (D)
Corner / Coin (F)	10 1/4" (26.5cm)	7" (17.8cm)	4" (10.2cm)	18 1/4" (46.7cm)	84" (213.3cm)
Corner / Coin (P)	6" (15.2cm)	16 1/4" (41.3cm)	6" (15.2cm)	16 1/4" (41.3cm)	96" (243.8cm)


ALCOVE CONFIGURATION / CONFIGURATION ALCOVE	SIDE WALL / MUR DE CÔTÉ (A)	SIDE WALL TO FLUE / MUR DE CÔTÉ À BUSE (F)	BACK WALL / MUR ARRIÈRE (C)	BACK WALL TO FLUE / MUR ARRIÈRE À BUSE (E)	CEILING / PLAFOND (D)
Single wall pipe / Tuyau de raccordement à pari simple			9 1/2" (24.1cm)	11" (27.9cm)	84" (213.3cm)
Double wall pipe / Tuyau de raccordement à pari double	16 1/4" (41.2cm)	27 1/2" (69.8cm)	6 1/2" (16.5cm)	7 1/2" (19.0cm)	
Single wall pipe / Tuyau de raccordement à pari simple			14 1/2" (36.8cm)	16" (40.6cm)	
Double wall pipe / Tuyau de raccordement à pari double	16 1/4" (41.2cm)	27 1/2" (69.8cm)	12 1/2" (31.7cm)	13 1/2" (34.3cm)	

MINIMUM FLOOR PROTECTION / PROTECTION MINIMALE DE PLANCHER	FRONT / AVANT (A)	SIDES / CÔTÉS (B)	REAR / ARRIÈRE (C)
CANADA	18" (45.7cm)	8" (203mm)	8" (203mm)
USA / E.-U.	18" (45.7cm)	6" (152mm)	6" (152mm)

MANUFACTURE DATE: / DATE DE FABRICATION:

YEAR/ANNÉE: 2020 2021 2022 2023 2024 2025

MONTH/MOIS: 1 2 3 4 5 6 7 8 9 10 11 12



WOLF STEEL LTD.
 24 NAPOLEON ROAD, BARRIE, ON
 L4M 0G8 CANADA

WOLF STEEL USA
 103 MILLER DRIVE, CRITTENDEN, KY
 401030 USA

CAUTION:
ATTENTION:

HOT WHILE IN OPERATION. DO NOT TOUCH. KEEP CHILDREN, CLOTHING AND FURNITURE AWAY. CONTACT MAY CAUSE SKIN BURNS. SEE NAMEPLATE AND INSTRUCTIONS.

QUAND L'APPAREIL FONCTIONNE, LA SURFACE DEVIENT CHAUDE. NE PAS TOUCHER. TENIR LES ENFANTS, LES VÊTEMENTS ET LES MEUBLES À L'ÉCART. LE CONTACT PEUT CAUSER DES BRÛLURES À LA PEAU. VOIR LA PLAQUE D'HOMOLOGATION ET LES INSTRUCTIONS.

U.S. ENVIRONMENTAL PROTECTION AGENCY Certified to comply with 2020 particulate emission standards using cordwood. Certifié conforme à la norme d'émission de particules de 2020 en utilisant bois de corde. 40 CFR Part 60, Subpart AAA 1.30 Grams Per Hour / 2020 Cordwood / 1,30 Grammes par heure / Bois de Corde 2020. Efficiency / Efficacité: 76.99% LHV / 71.56% HHV.

NAC GUANGZHOU P.R.C.
 NO.69 HEFENG ROAD, GUANGZHOU, CHINA

S25 / T25 W385-4544

2.1 appliance placement

We recommend having your Napoleon wood burning appliance installed by a qualified technician. However, should you choose to install the appliance yourself, it is extremely important that you follow all installation instructions for the appliance, the chimney and connector if applicable, as well as local building codes. At the very least, draw a detailed plan of your installation, including clearance dimensions to combustibles, and have your authorized dealer review them to confirm that they conform to the relative installation parameters.

note:

When positioning the appliance, it may be necessary to adjust its position to prevent the chimney/vent system from intersecting with a framing member and to meet the minimum combustible clearance requirements. Its location should also avoid the potential for drapes or doors to swing within 48" (122cm) in front of the appliance to prevent a fire hazard.

2.2 pedestal back plate installation

1. Place the back plate in position, ensuring the holes in the back plate align with the holes in the appliance (**Fig. 2-1**).
2. Install four screws (supplied) to secure the back plate in position (**Fig. 2-2**).

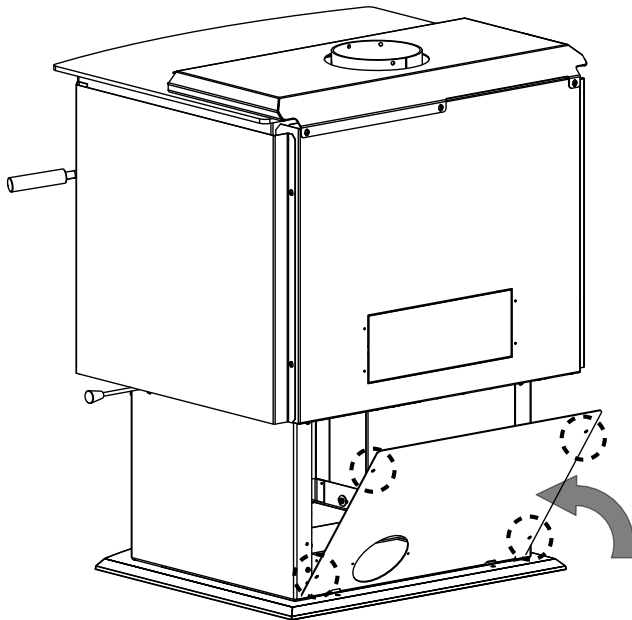


Fig. 2-1

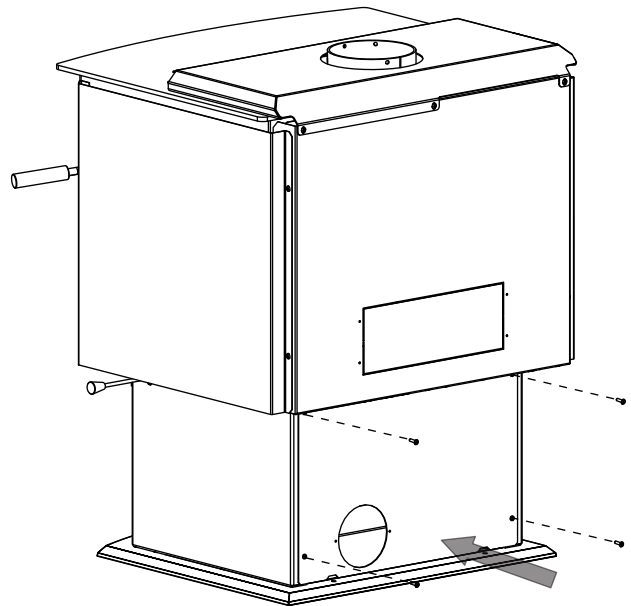


Fig. 2-2

installation planning

2.3 mobile home (U.S. only)

THIS APPLIANCE IS APPROVED FOR INSTALLATION IN MOBILE HOMES IN THE UNITED STATES ONLY.

! WARNING

- Do not install in a sleeping room.
- The structural integrity of the mobile home floor, walls, and ceiling/roof must be maintained.
- The appliance must be provided with outside combustion air.
- The appliance must be bolted to the floor.
- Install according to 24 CFR, part 3280 (HUD).
- Use a chimney certified for wood burning UL 103 S629, type HT (2100°F).
- A chimney shall comply with the Standard for Factory-Built Chimneys for Residential Type and Building Heating Appliances, UL 103.
- The chimney shall be attached directly to the room heater and shall extend at least 3 feet (0.9m) above the part of the roof through which it passes. The top of the chimney is to be at least 2 feet (0.6m) above the highest required elevation of any part of the mobile home within 10 feet (3m) of the chimney.
- All roof-chimney terminations shall be able to be readily removed at or below an elevation of 13 1/2 feet (4.1m) above ground level and reinstalled without the use of special tools or instructions. The chimney assembly shall be provided with a mechanical means to secure the chimney to the ceiling support box.
- When the chimney exits the mobile home at a location other than through the roof, and exits at a point 7 feet (2.1m) or less above the ground level on which the mobile home is positioned, a guard or method of enclosing the chimney shall be provided at the point of exit for a height up to 7 feet (2.1m). The openings in a chimney guard shall not permit the entrance of a 3/4" (19.1mm) diameter rod and/or contact with the chimney by a 1/2" (12.7mm) diameter rod inserted through the opening a distance of 4" (102mm).
- The chimney shall be provided with a spark arrester secured to the chimney. The net free area of the arrester above the chimney outlet shall be not less than four times the net area of the chimney outlet, and the vertical height of the arrester above the chimney outlet shall be not less than one-half the diameter of the chimney flue. Openings shall not permit the passage of a sphere having a diameter larger than 1/2" (12.7mm) and shall permit the passage of a sphere having a diameter of 3/8" (9.6mm).

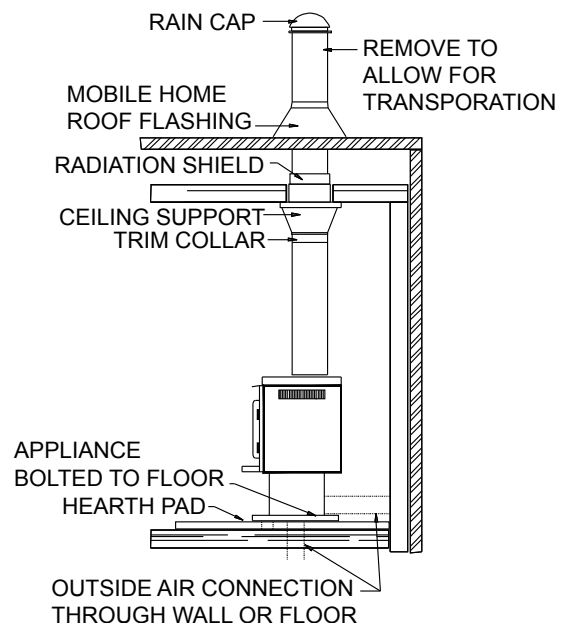
note:

All mobile home approved appliances must be secured to the floor of the mobile home.

For specific clearances, see "MINIMUM CLEARANCES TO COMBUSTIBLES" section.

The appliance must be installed between ceiling joists, with radiation shield and roof flashing, so that the structural strength, insulation and waterproof qualities of the home are not lessened. Seal with silicone to maintain a vapour barrier at the chimney and outside air pipe penetrations.

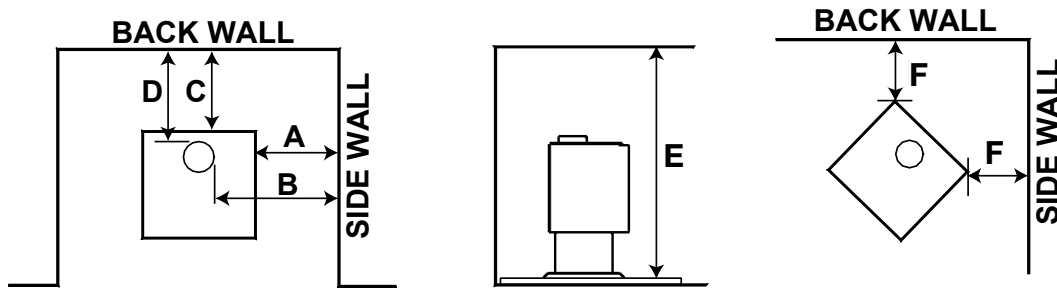
This model is equipped with holes so that the appliance can be bolted securely to the floor.



2.4 minimum clearance to combustibles

! WARNING

- Do not install into any area having less than 7 feet (2.1m) (ceiling to appliance bottom, excluding hearth height).



CONFIGURATION		SIDE WALL (A)	SIDE WALL TO FLUE (B)	BACK WALL (C)	BACK WALL TO FLUE (D)	CEILING (E)
With T.H.S.	Straight with single wall pipe	16 1/4" (41.2cm)	27 1/2" (69.8cm)	9 1/2" (24.1cm)	11" (27.9cm)	84" (213.3cm)
	Straight with double wall pipe			6 1/2" (16.5cm)	7 1/2" (19cm)	
	Through the wall with single wall pipe			9 1/2" (24.1cm)	11" (27.9cm)	
	Through the wall with double wall pipe			6 1/2" (16.5cm)	7 1/2" (19cm)	
Without T.H.S.	Straight with single wall pipe *	16 1/4" (41.2cm)	27 1/2" (69.8cm)	14 1/2" (36.8cm)	16" (40.6cm)	96" (243.8cm)
	Straight with double wall pipe *			12 1/2" (31.7cm)	13 1/2" (34.2cm)	
	Through the wall with single wall pipe *			14 1/2" (36.8cm)	16" (40.6cm)	
	Through the wall with double wall pipe *			12 1/2" (31.7cm)	13 1/2" (34.2cm)	
CONFIGURATION		SIDE WALL	SIDE WALL TO FLUE	BACK WALL	BACK WALL TO FLUE	CEILING
With T.H.S.	Corner (F)	4" (10.1cm)	14 1/4" (36.1cm)	4" (10.1cm)	14 1/4" (36.1cm)	84" (213.3cm)
Without T.H.S.	Corner (F) *	6" (15.2cm)	16 1/4" (41.3cm)	6" (15.2cm)	16 1/4" (41.2cm)	96" (243.8cm)

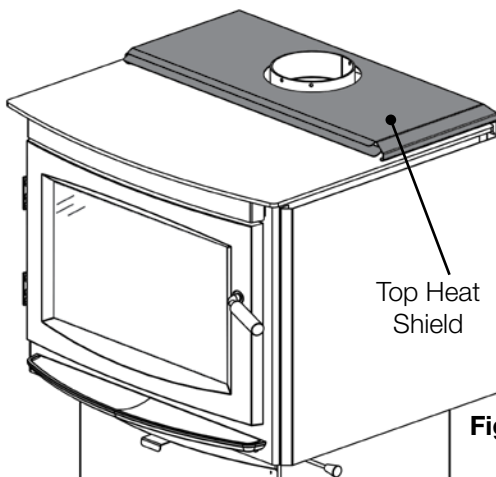


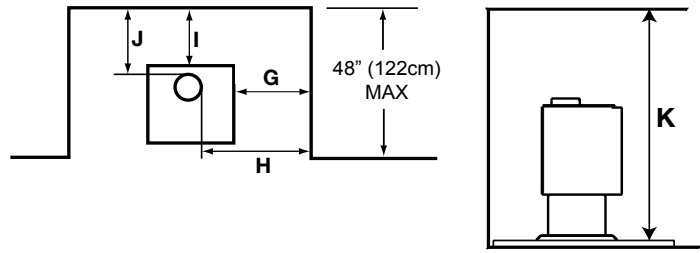
Fig. 2-3

* The top heat shield (T.H.S) may be removed if desired (Fig. 2-3); however, this will increase clearances to combustibles. **Please read the above table carefully.**

Clearances can be reduced with shielding acceptable to local authorities. Reduced installation must comply with NFPA 211 or CAN/CSA-B365.

2.5 alcove installation

Your appliance may be installed using a listed double wall connector (such as Security DL6 in Canada, the Simpson Duravent Plus DVL in the USA, or an equivalent double wall connector) into an alcove having a depth of no more than 4 feet (1.2m) and a height of at least 6'3" (1.8m x 76mm). The minimum clearances are as shown.



CONFIGURATION		SIDE WALL (G)	SIDE WALL TO FLUE (H)	BACK WALL (I)	BACK WALL TO FLUE (J)	CEILING (K)
With T.H.S.	Single wall pipe	16 1/4" (41.2cm)	27 1/2" (69.8cm)	9 1/2" (24.1cm)	11" (27.9cm)	84" (213.3cm)
	Double wall pipe			6 1/2" (16.5cm)	7 1/2" (19cm)	
Without T.H.S.	Single wall pipe *	16 1/4" (41.2cm)	27 1/2" (69.8cm)	14 1/2" (36.8cm)	16" (40.6cm)	96" (243.8cm)
	Double wall pipe *			12 1/2" (31.7cm)	13 1/2" (34.2cm)	

* The top heat shield (T.H.S.) may be removed if desired (**Fig. 2-3, previous page**); however, this will increase clearances to combustibles. **Please read the above table carefully.**

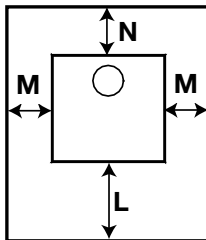
2.6 floor protection

If the appliance is to be installed on top of a combustible floor, it must be placed on an approved non-combustible hearth pad, that extends 8" (203mm) beyond the appliance sides and back, and 18" (45.7cm) in Canada / 16" (40.6cm) in the USA to the front. The reduced clearance from the back of the appliance may result in the appliance pad terminating shorter than 8" (203mm) beyond the appliance.

note:

Floor protection is required for spark and ash shielding, but not for limiting floor temperatures from the radiant heat of the appliance. The appliance was designed and safety-tested so that without any protection, the floor would not overheat.

Refer to local building codes for suitable floor protection materials.



MINIMUM FLOOR PROTECTION			
	FRONT (L)	SIDES (M)	BACK (N)
CANADA	18" (45.7cm)	8" (203mm)	8" (203mm)
USA	16" (40.6cm)	8" (203mm)	8" (203mm)

note:

If a section of horizontal chimney connector is used, floor protection is required under the chimney connector and 2" (51mm) beyond each side.

2.7 outside air

The following are signs that fresh air may be required for the appliance to better function:

- When there is combustion present, wood burns poorly, smoke spills, back-draft takes place, and your chimney does not draw steadily.
- In the winter, there is too much condensation on the windows.
- Opening a window seems to alleviate the above symptoms.
- A ventilation system is installed in the house.
- Other devices are present that exhaust house air.
- The house has tight fitting windows and/or is equipped with a well-sealed vapour barrier.

Systems such as HRV's are designed to bring fresh air into your home and will resolve these related performance issues with your appliance. If outside air is brought directly to the appliance, a damper allowing 100% closure shall be used (not supplied). The air inlet must prevent material from dropping into the inlet and also prevent rodents from entering from the outside (a wire mesh having openings not larger than 1/4" by 1/4" [6.4mm by 6.4mm] is sufficient).

! WARNING

- Wear gloves, protective footwear and safety glasses for protection.
- Carefully follow the instructions for assembly of the pipe and other parts needed to install the appliance. Failure to do so may result in a fire, especially if combustibles are too close to the appliance or chimney and air spacers are blocked, preventing the free movement of cooling air.
- Do not draw outside air from garage spaces. Exhaust products of gasoline engines are hazardous. Do not install outside air ducts such that the air may be drawn from attic spaces, basements or above the roofing where other heating appliances or fans and chimneys exhaust or utilize air. These precautions will reduce the possibility of appliance smoking or air flow reversal. The outside air inlet must remain clear of leaves, debris, ice and/or snow. It must be unrestricted while appliance is in use to prevent room air starvation which can cause smoke spillage and an inability to maintain a fire. Smoke spillage can also set off smoke alarms.
- Negative pressure within your home may inadvertently affect your appliance.
- To prevent contact with sagging or loose insulation, the appliance must not be installed against vapour barriers or exposed insulation. Localized overheating could occur and a fire could result.
- Do not use makeshift compromises during installation. Do not block or restrict air, grille or louvre openings. Do not add a hood.
- To prevent personal injury, keep hand tools in good condition, sharpen cutting edges and make sure tool handles are secure.
- Always maintain the minimum air space required in the enclosure to prevent fires.
- Check with local building officials for any permits required for installation of this appliance and notify your insurance company prior to proceeding.

3.1 chimney**! WARNING**

- Never install a single wall slip section or smoke pipe in a chase structure. The higher temperature of this single wall pipe may radiate sufficient heat to combustible chase materials to cause a fire.
- Do not connect this appliance to a chimney system serving another appliance.
- To avoid danger of fire, all instructions must be strictly followed, including the provision of air space clearance between chimney system and enclosure. To protect against the effects of corrosion on those parts exposed to the weather, we recommend that the chase top be painted with a rust-resistant paint.
- Do not fill any framed space around the chimney with insulation or any other material. Insulation placed in this area could cause adjacent combustibles to overheat.
- Maintain a minimum 2" (51mm) air clearance to all parts of the chimney system at all times (this excludes the chimney connection). Failure to maintain this 2" (51mm) air clearance will cause a structure fire. Never fill this space with any type of material.
- Detailed instructions for installation of the chase top, storm collar and termination cap are packaged with these parts.
- Do not cut rafters or ceiling joists without first consulting a building official to ensure structural integrity is not compromised.
- Firestop spacers must be used whenever the chimney penetrates a ceiling/floor area.
- The total horizontal vent length should not exceed 40% of the chimney height above the appliance all horizontal smoke pipe must slope slightly upwards a minimum of 1/4" (6.4mm) per foot and all connections must be tight and secured by three sheet metal screws equally spaced. An uninsulated smoke pipe shall not pass through an attic, roof space, closet or similar concealed space, or through a floor, ceiling, wall or partition, or any combustible constructions.
- This appliance must be connected to a code-approved masonry chimney with a flue liner.
- Do not use any makeshift materials during installation.
- A chimney shall comply with the Standard for Factory-Built Chimneys for Residential Type and Building Heating Appliances, UL 103.
- The chimney shall be attached directly to the room heater and shall extend at least 3 feet (0.9m) above the part of the roof through which it passes. The top of the chimney is to be at least 2 feet (0.6m) above the highest required elevation of any part of the mobile home within 10 feet (3m) of the chimney.
- All roof-chimney terminations shall be able to be readily removed at or below an elevation of 13 1/2 feet (4.1m) above ground level and reinstalled without the use of special tools or instructions. The chimney assembly shall be provided with a mechanical means to secure the chimney to the ceiling support box.
- When the chimney exits the mobile home at a location other than through the roof, and exits at a point 7 feet (2.1m) or less above the ground level on which the mobile home is positioned, a guard or method of enclosing the chimney shall be provided at the point of exit for a height up to 7 feet (2.1m). The openings in a chimney guard shall not permit the entrance of a 3/4" (19.1mm) diameter rod and/or contact with the chimney by a 1/2" (12.7mm) diameter rod inserted through the opening a distance of 4" (102mm).
- The chimney shall be provided with a spark arrester secured to the chimney. The net free area of the arrester above the chimney outlet shall be not less than four times the net area of the chimney outlet, and the vertical height of the arrester above the chimney outlet shall be not less than one-half the diameter of the chimney flue. Openings shall not permit the passage of a sphere having a diameter larger than 1/2" (12.7mm) and shall permit the passage of a sphere having a diameter of 3/8" (9.6mm).

Your appliance may be connected to a factory built or masonry chimney. If you are using a factory built chimney, it must comply with ULCS629 (Canada) or UL103 (USA) standards. It must therefore be a 6" (152mm) HT Type (2100°F) chimney. It is extremely important that it be installed according to the manufacturer's specifications. The manufacturer's installation instructions and specified clearances should always be followed in accordance with local and national codes. In Canada the CSA B365 and the CSA C22.1 installation codes are to be followed. In the USA the ANSI NFPA 70 and ANSI NFPA 211 installation codes are to be followed.

Chimney and chimney connector must be in good condition and kept clean.

3.1.1 chimney connection

Your chimney connector and chimney must have the same diameter as the appliance's exhaust flue outlet. The appliance pipe must be made of aluminized or cold roll steel with a minimum 24 gauge (0.6mm) thickness. It is strictly forbidden to use galvanized steel.

A 6" (152.4mm) diameter single or double wall chimney connector, used to connect the appliance to the chimney, must be installed with the crimped end toward the appliance. This will ensure that the moisture which condenses from the burning wood will flow back into the fire chamber. Each joint in the chimney connector must be secured with at least three sheet metal screws, equally spaced around the circumference.

For installation of your chimney connector, the following recommendations may be useful:

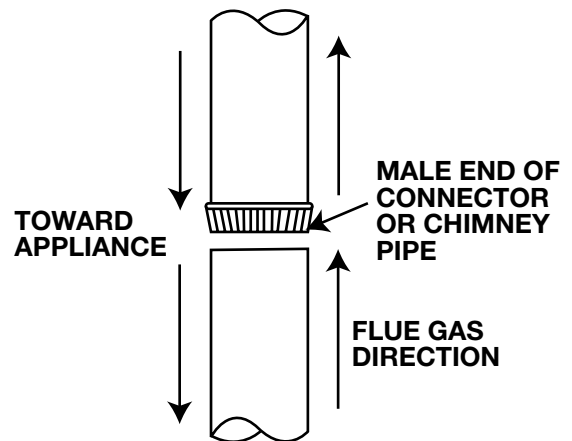
- The chimney connector must be short and straight. For optimum performance, it is recommended that all horizontal runs have a minimum 1/4" (6mm) rise per foot (0.3m), with the higher end of the section toward the chimney. For safe and proper operation of the appliance, see the "installation" section.
- To ensure a good draft, the total horizontal length of the connector should never exceed 8' (2.4m) to 10' (3.1m). In the case of vertical installation, the total length of the connector can be longer and connected without problem to the chimney at the ceiling level.
- There should never be more than two 90° elbows in the entire connector and chimney system. Never start with a 90° elbow. Always go up vertically for at least 2 feet (0.6m) from the flue collar before using a 90° elbow.
- The connector must not pass through any combustible material, nor may it pass through a concealed space (such as an attic, roof space, or closet). If passing through a wall, ceiling or into a masonry chimney, use either chimney components listed for that specific use, or means acceptable to local authorities having jurisdiction over the installation.

This appliance must be connected to:

- A. A chimney complying with the requirements for Type HT chimneys in the Standard for Chimneys, Factory-Built, Residential Type and Building Heating Appliance

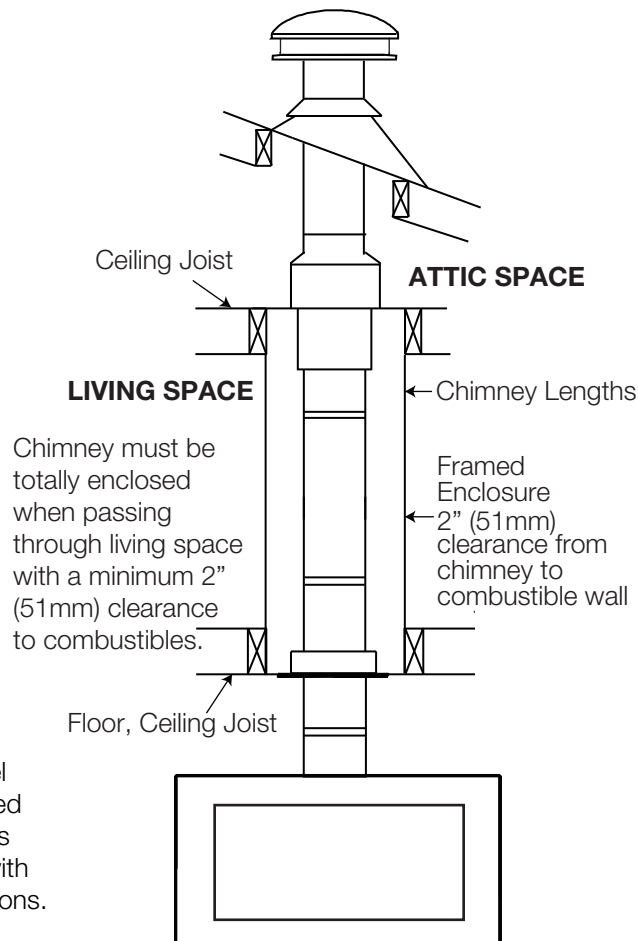
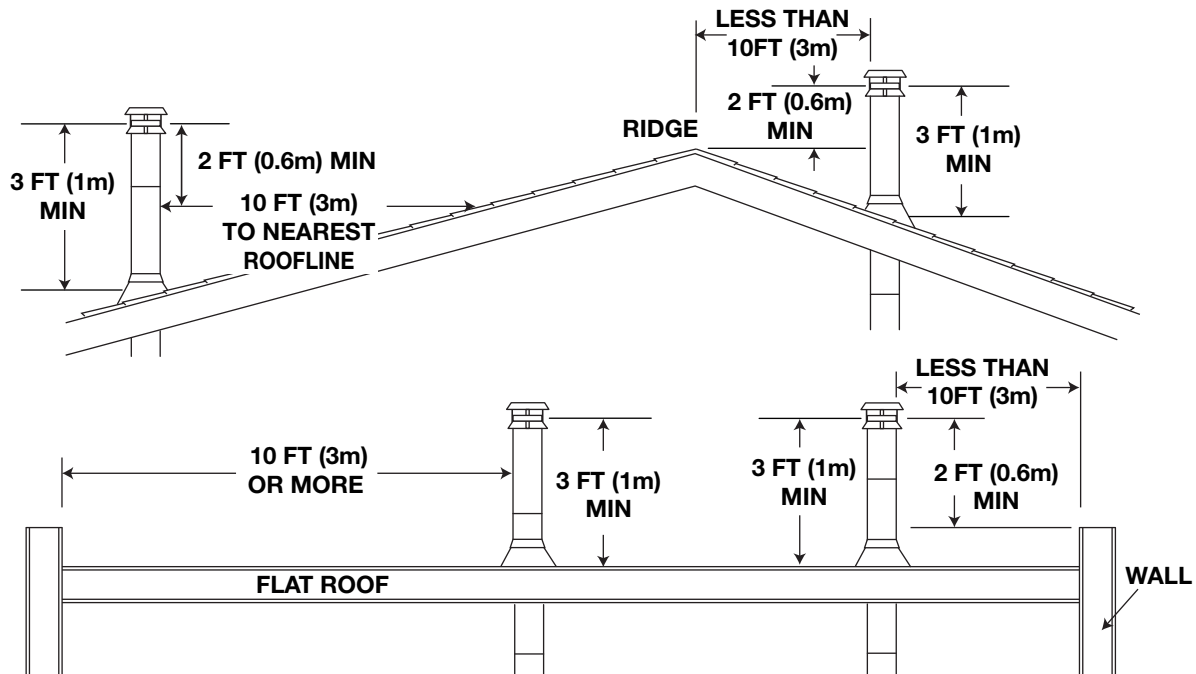
OR

- B. A code-approved masonry chimney with a flue liner. Vent the stove into a masonry chimney or an approved, insulated solid-fuel stainless-steel chimney with as short and straight a length of 6" (152mm) diameter chimney connector as possible. Connection to a masonry thimble cemented in place.



3.1.2 adding sections

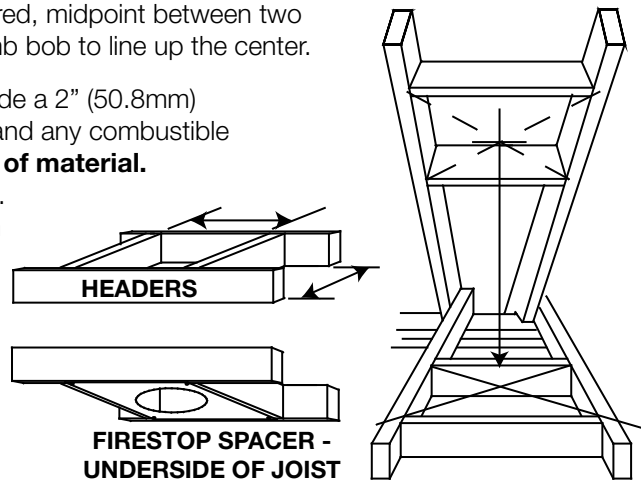
Add chimney sections, according to the manufacturer's installation instructions. If the chimney system passes through an attic space, a rafter radiation shield or attic insulation shield is required. The chimney must extend at least 3ft (0.9m) above its point of contact with the roof and at least 2ft (0.6m) higher than any wall, roof or building within 10ft (3.1m). If the chimney extends more than 5ft (1.5m) above the roof, it must be secured using a roof brace or guide wires. A raincap must be installed to avoid internal damage and corrosion.



An insulated stainless steel chimney must be supported at the ceiling or roof and its installation must comply with its manufacturer's instructions.

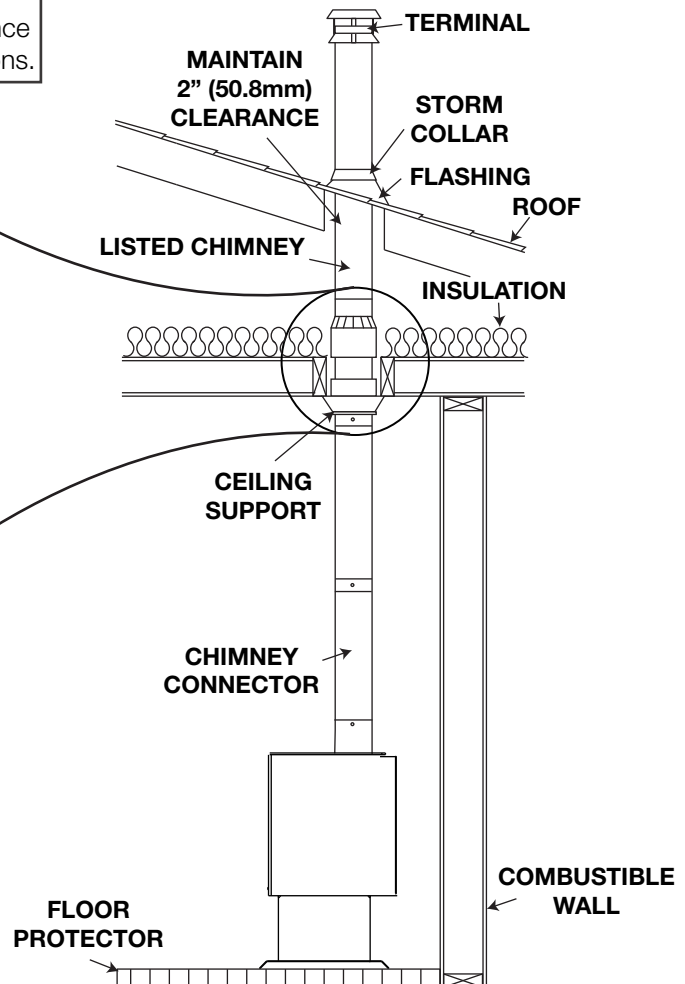
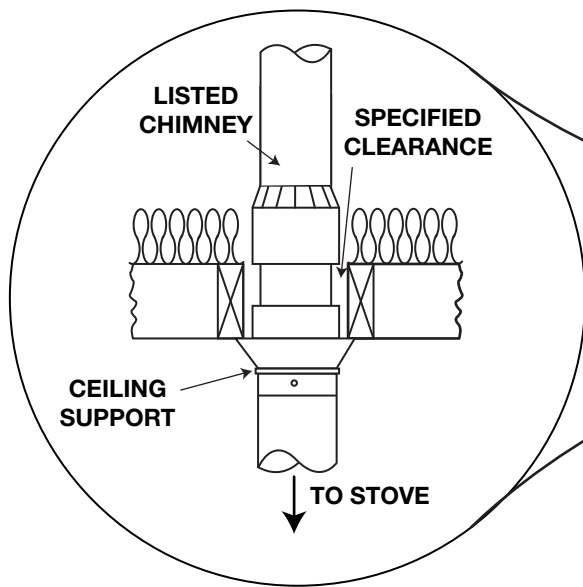
3.1.3 typical through the ceiling

- A. Move the stove into position with the flue centered, midpoint between two joists to prevent having to cut them. Use a plumb bob to line up the center.
- B. Cut and frame an opening in the ceiling to provide a 2" (50.8mm) clearance between the outside of the chimney and any combustible material. **Do not fill this space with any type of material.** Nail headers between the joist for extra support. Firestop spacers must be placed on the bottom of each framed opening in any floor or ceiling that the chimney passes through. If your chimney system is enclosed within the attic area, a rafter radiation shield is required.
- C. Hold a plumb bob from the underside of the roof to determine where the opening in the roof should be. Cut and frame the roof opening to maintain proper 2" (50.8mm) clearances.



note:

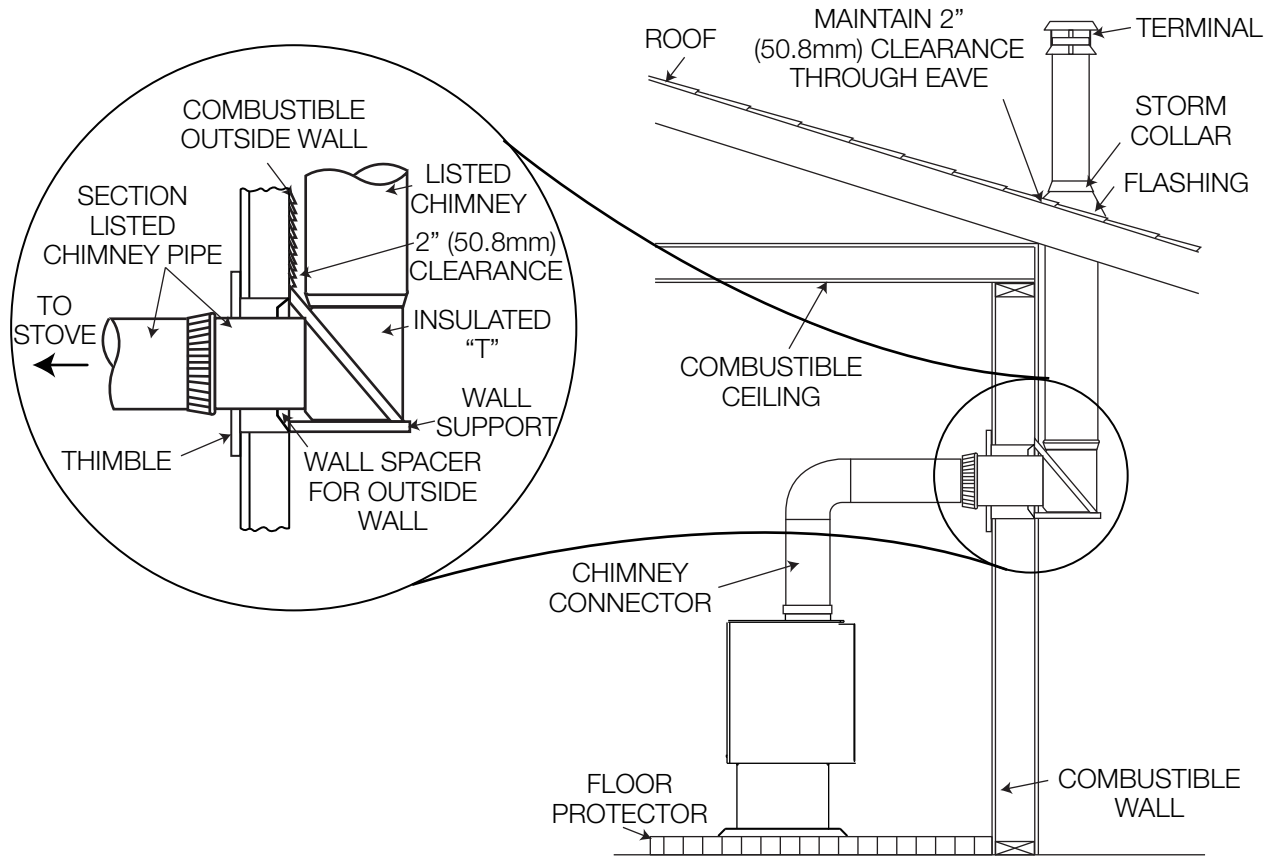
The chimney must be supported at the ceiling or roof so that its weight does not rest on the appliance and must comply with its manufacturer's instructions.



3.1.4 typical through the wall

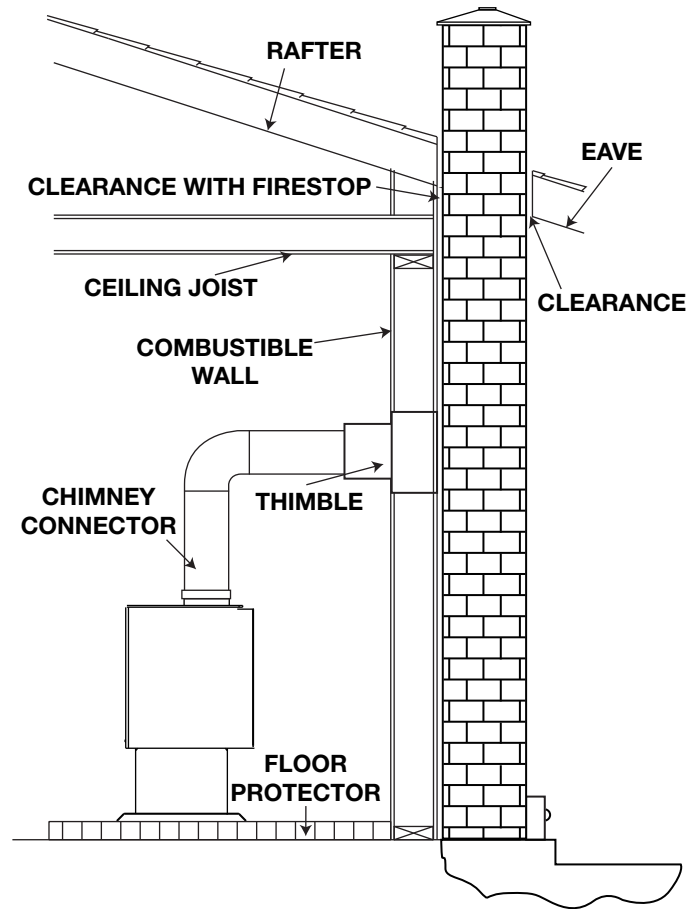
If possible, design the installation so that the connector does not pass through a combustible wall. If during your installation you must pass through a combustible wall, check with your building inspector before you begin. Also check with the chimney connector manufacturer for any specific requirements.

Consult with your dealer regarding special connection components available for use for wall pass-throughs. Use only parts that have been tested and listed for use in a wall pass-through.



3.1.5 typical existing masonry

You can also install your appliance using your existing masonry chimney. To do so, use the following guidelines. Use a factory-built thimble, or construct your own brick thimble. If you are using a masonry chimney, it is important that it be built in compliance with the specifications of the Building Code in your region. It must normally be lined with fire clay bricks, metal or clay tiles sealed together with fire cement. (Round flues are the most efficient). The maximum flue size is 8" (203.2mm) x 8" (203.2mm) square or 6" (152.4mm) round. For greater diameters it is necessary to install a 6" (152.4mm) stainless steel liner.



4.0 finishing

4.1 door removal

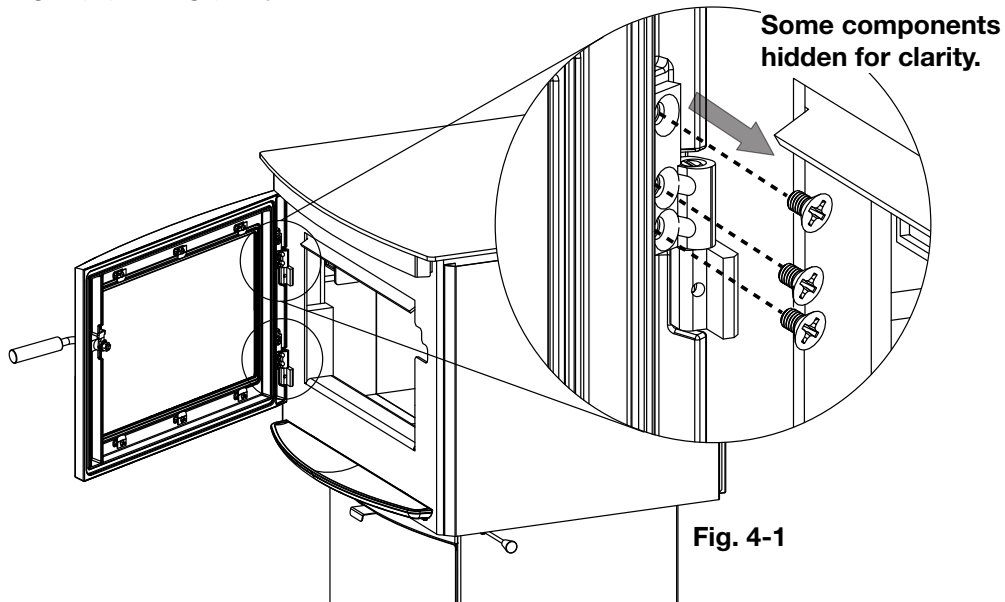
! WARNING

- Burning your appliance in with the doors open or ajar creates a fire hazard that may result in a house and/or chimney fire.
- Do not strike or slam door.
- Never remove the door when the appliance is hot.

note:

We strongly recommend using two people to remove and/or install the appliance door as it is very heavy.

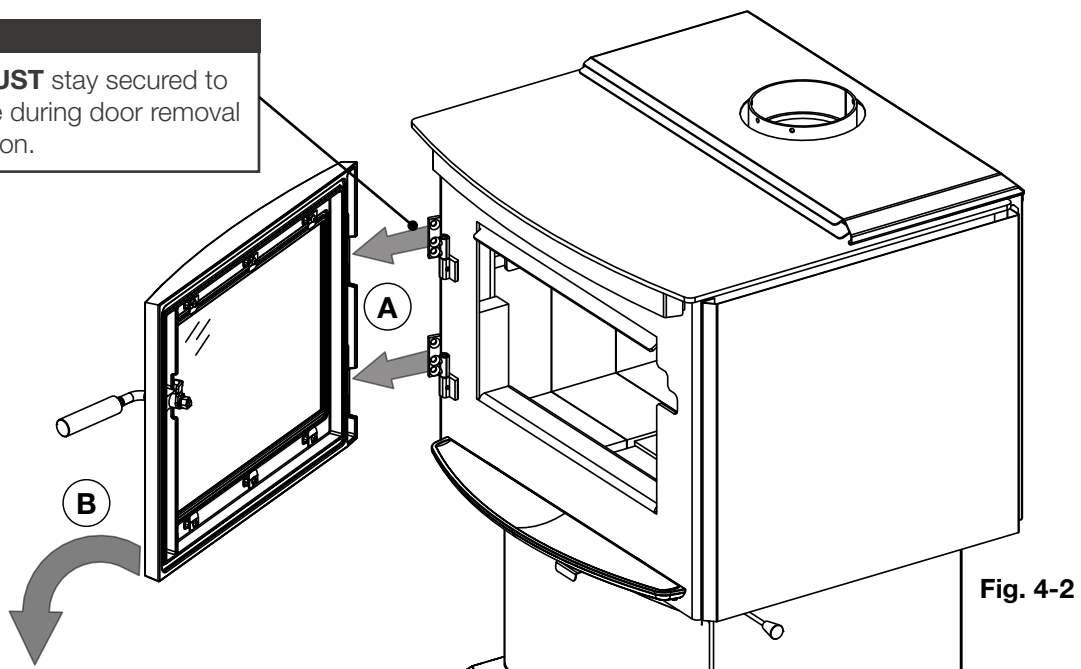
1. With one hand on the door to prevent it from falling, open the door and remove the 6 large screws located on the hinges (3 per hinge) (**Fig. 4-1**).



2. Remove the door, placing it face down on a soft, non-abrasive surface (**Fig. 4-2**). Be careful not to scratch the paint.

note:

Hinge **MUST** stay secured to appliance during door removal / installation.

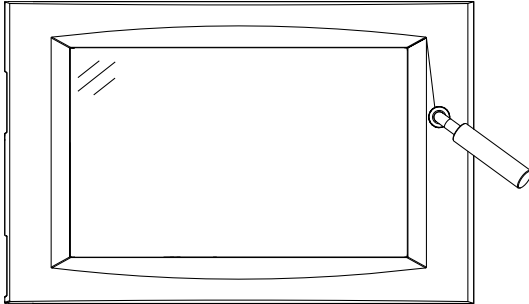


3. Reverse these steps to install the door.

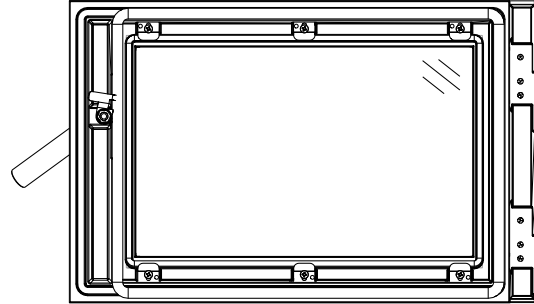
4.2 door handle installation

⚠ WARNING

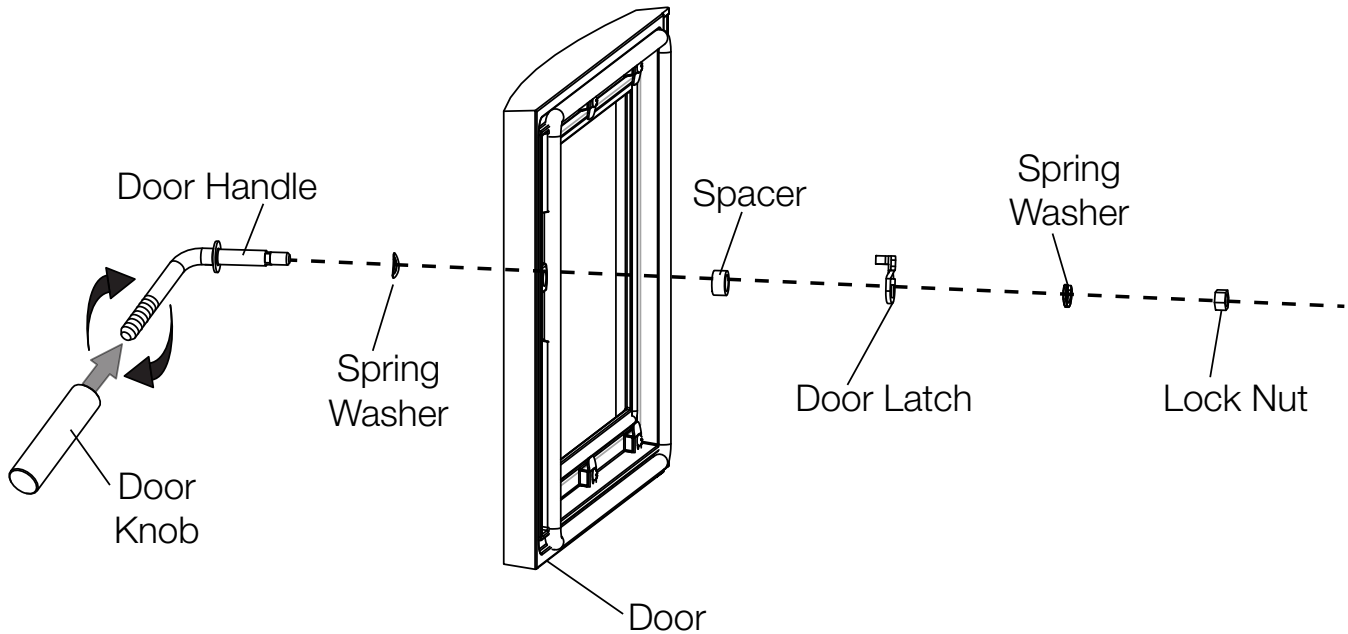
- Burning your appliance in with the doors open or ajar creates a fire hazard that may result in a house and/or chimney fire.
- Do not strike or slam door.
- Never remove the door when the appliance is hot.



Front View



Back View



4.3 brick and baffle installation

! WARNING

- Operation of the appliance without the bricks and baffles can result in excessive temperatures that could damage the appliance, chimney and the surrounding enclosure.

With the appliance and chimney installation completed, move the bricks into place as illustrated below (**Fig. 4-3**).

- A.** Carefully pivot two “E” fibre baffles up onto the secondary air tubes as illustrated (**Fig. 4-4**). **Installation of the baffles may be facilitated by removing the two front secondary air tubes (see “secondary air tube” section).** Ensure that the baffles are pushed all the way to the rear of the firebox, leaving a minimum of a 1 inch gap along the front. This will allow the flue gases to escape the firebox. Ensure the overlap joint is tight and the notch is facing towards the front.

important:

During installation, the baffles **MUST** be square with the fireplace as they may be a tight fit in between the secondary air manifolds.

- B.** Install six “D” bricks along the front of the firebox. Ensure to follow the numbering sequence in the illustration below (i.e. D1, D2, D3, etc.).
- C.** Install eight “A” bricks and four “B” bricks along the bottom of the firebox, working from the back of the appliance forward.
- D.** Install eight “A” bricks along the left and right sides of the appliance.
- E.** Install four “A” bricks and two “C” bricks along the back wall by pivoting the bricks up under the brick retainer.

note:

Place “C” bricks in the centre, with two “A” bricks on either side as illustrated (**Fig. 4-3**).

The fibre baffles are shipped inside the firebox. They must be removed from all special packaging prior to installation.

For further details about brick descriptions and part numbers, see “replacement parts” section.

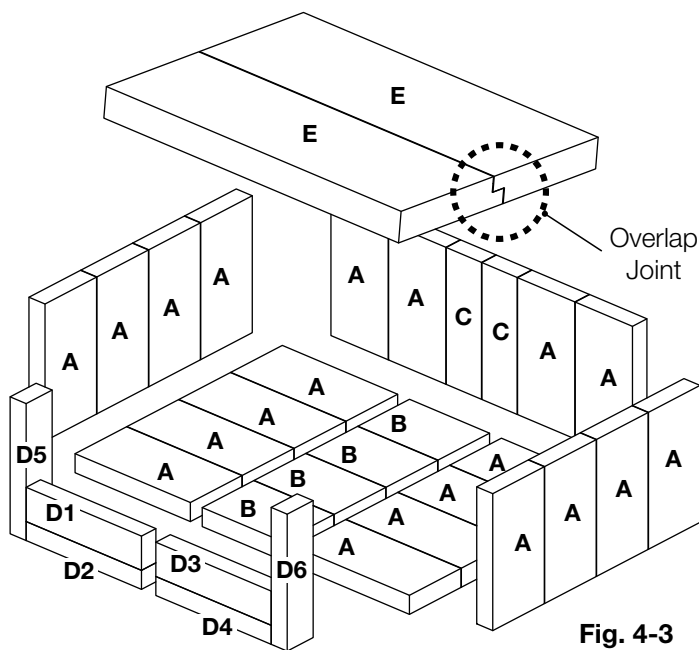


Fig. 4-3

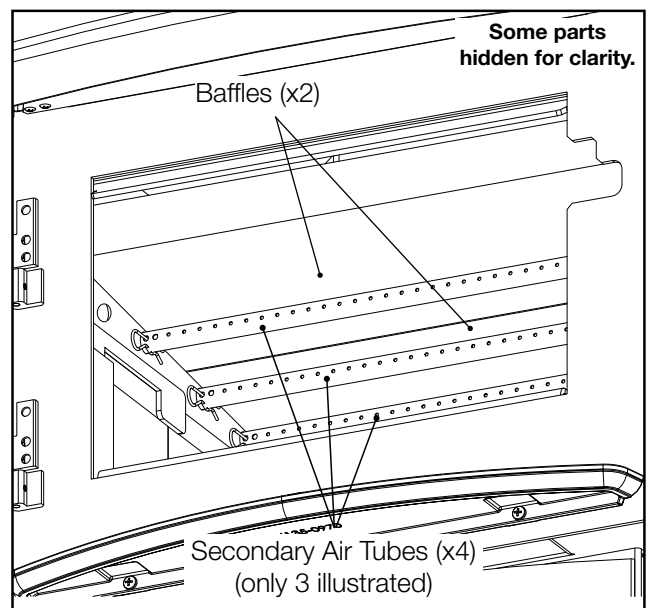


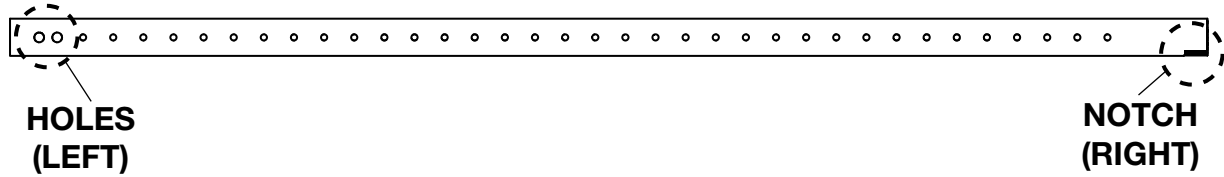
Fig. 4-4

4.4 secondary air tubes

note:

The back 3 secondary air tubes are factory-installed; therefore only the front secondary air tube (supplied inside the firebox) will need to be installed.

Before beginning installation, note the correct orientation of the secondary air tube. The side with the notch should face to the right, while the side with 2 holes on the end should face to the left.



1. With the appliance door open or removed, insert the left side of the secondary air tube into the hole in the **left side** of the appliance.
2. Insert the right side of the secondary air tube into the hole in the **right side** of the appliance. Ensure the notch makes contact with the pin (**Fig. 4-5**).

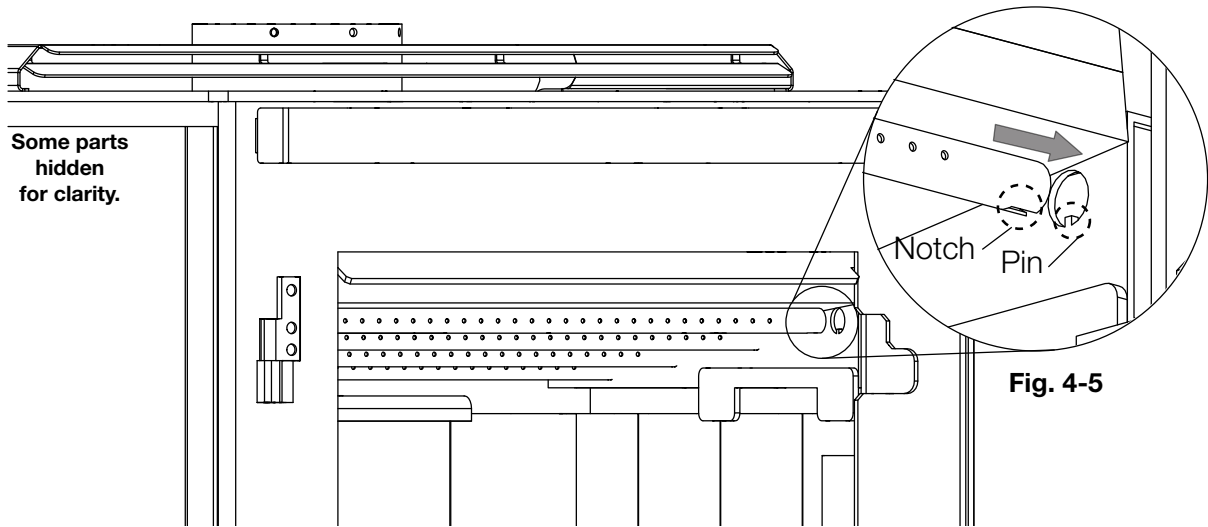


Fig. 4-5

3. Align the hole in the secondary air tube with the hole in the bracket inside the left side of the firebox, and then insert a cotter pin (supplied) (**Fig. 4-6**).

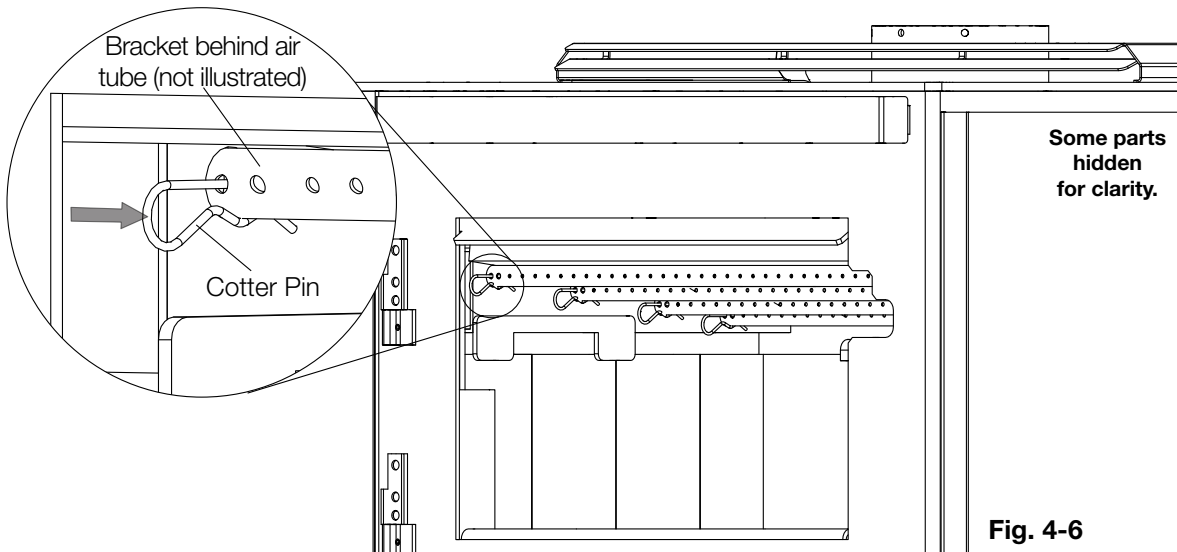


Fig. 4-6

4. Spread the cotter pin to retain the secondary air tube in place.

4.5 ash lip removal / installation

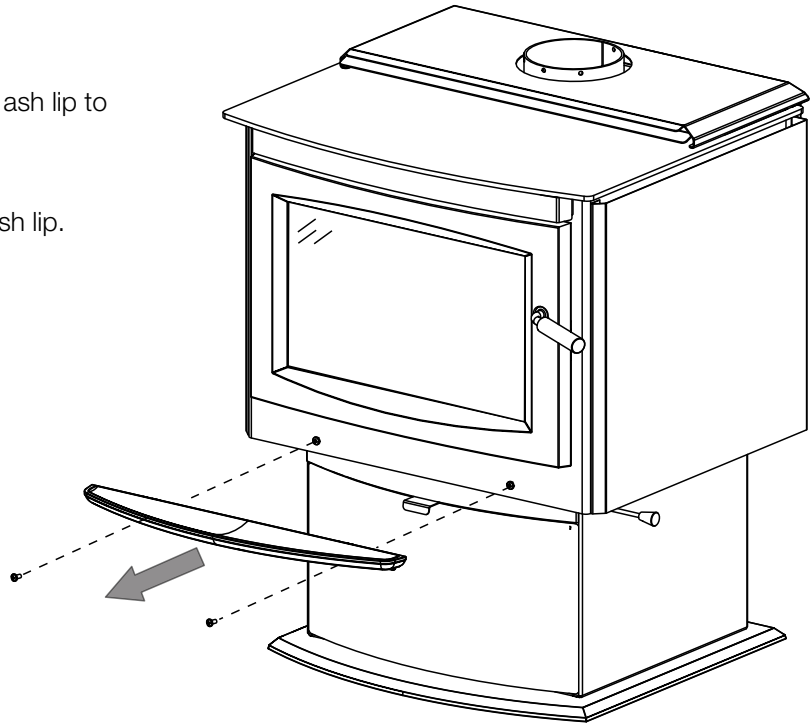
! WARNING

- To avoid injury or damage, do not lift or carry the appliance using the ash lip.

note:

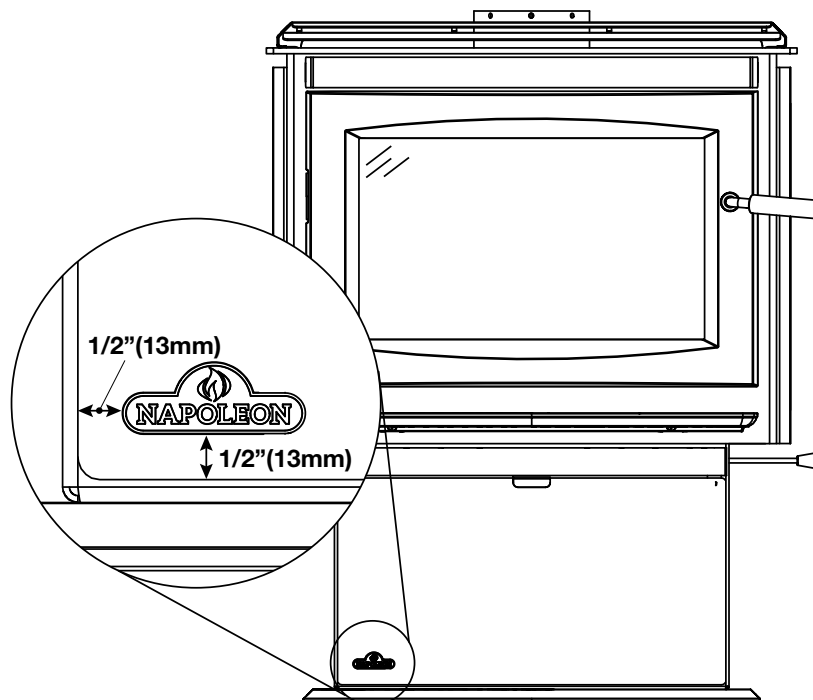
The ash lip comes factory-installed.

- Remove the 2 screws securing the ash lip to the appliance.
- Set screws and ash lip aside.
- Reverse these steps to install the ash lip.



4.6 logo placement

Remove the backing of the logo supplied and place, as illustrated.



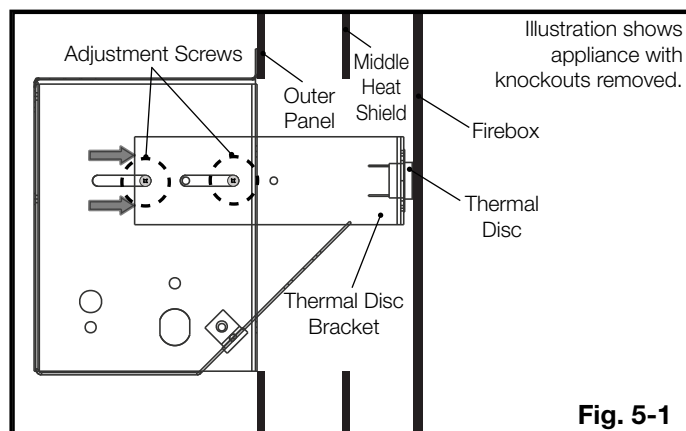
5.1 blower kit installation

! WARNING

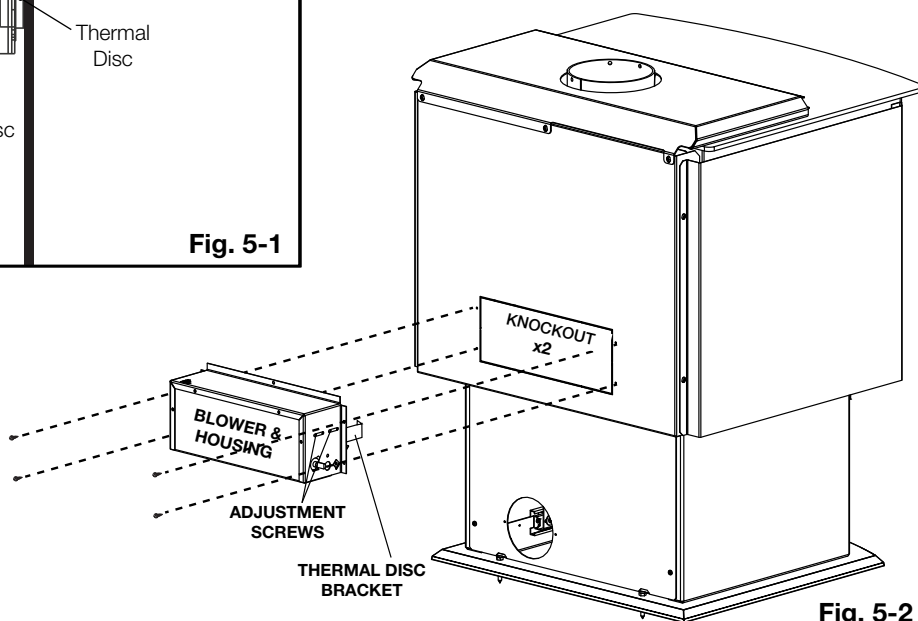
- Risk of fire and electrical shock!
- Turn off the gas and electrical power before servicing this appliance.
- Use only Wolf Steel approved optional accessories and replacement parts with this appliance. Using non-listed accessories (blowers, doors, louvres, trims, gas components, venting components, etc.) could result in a safety hazard and will void the warranty and certification.
- Ensure that the fan's power cord is not in contact with any surface of the appliance to prevent electrical shock or fire damage. Do not run the power cord beneath the appliance.
- The wire harness provided in the blower kit is a universal harness. When installed, ensure that any excess wire is contained, prevent it from making contact with moving or hot objects.

Drywall dust will penetrate into the blower bearings, causing irreparable damage. Care must be taken to prevent drywall dust from coming into contact with the blower or its compartment. Any damage resulting from this condition is not covered by the warranty policy. Use of the blower increases the output of heat.

Provisions have been made on this appliance to install an optional blower kit (NEP70) that comes complete with a variable speed switch to turn the blower ON/OFF, as well as to adjust the blower speed.



1. Ensure the thermal disc bracket is in the correct position (**Fig. 5-1**).
2. Remove the two knockouts from the back of the appliance.
3. Install the blower and housing as shown (**Fig. 5-2**) using 4 screws (supplied).
4. Loosen the adjustment screws.
5. Reach between the outer panel and the firebox, then slide the thermal disc bracket until the thermal disc is touching the rear of the firebox (**Fig. 5-1**).

**note:**

For optimal performance, the thermal disc **MUST** make contact with the firebox.

6. Re-secure the adjustment screws to hold the thermal disc bracket in place.

optional installation

5.2 ash disposal kit (ADS2530)

! WARNING

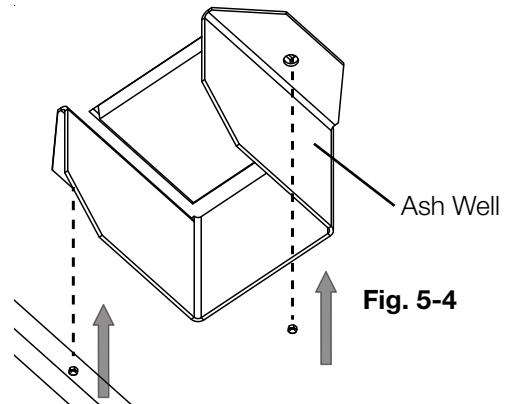
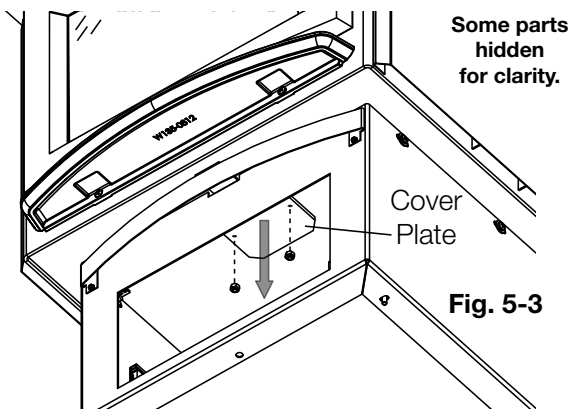
- Failure to achieve a good seal between the ash opening and ash plug will result in an over-fire condition that could cause damage to the appliance.

Provisions have been made on the appliance to install an optional ash disposal kit. The kit allows for convenient removal of excess ash.

note:

If the appliance has been previously operated, it must be cold and the ashes must be removed in order to access the ash plug.

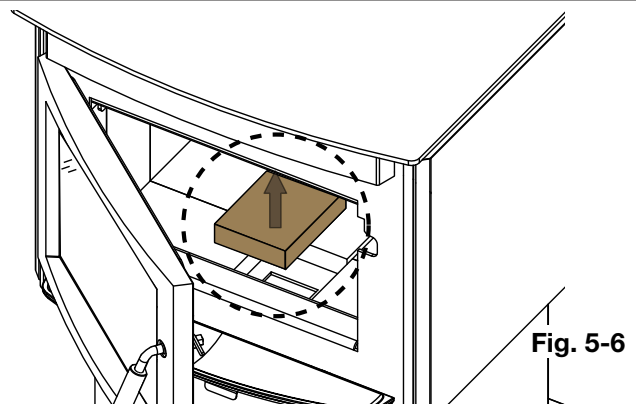
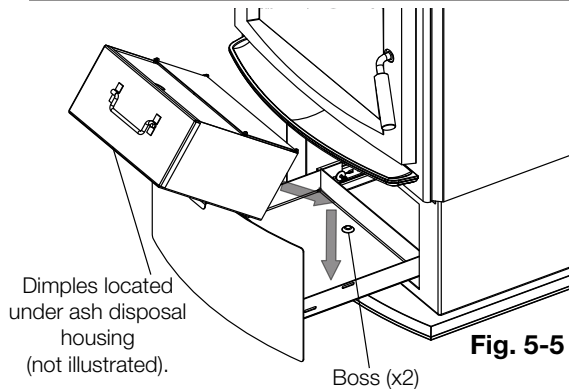
- Open the ash disposal.
- From the underside of the appliance, remove the nuts that secure the ash opening cover plate (**Fig. 5-3**). Discard.
- Using the nuts from step 2, install the ash well where the cover plate used to be (**Fig. 5-4**).



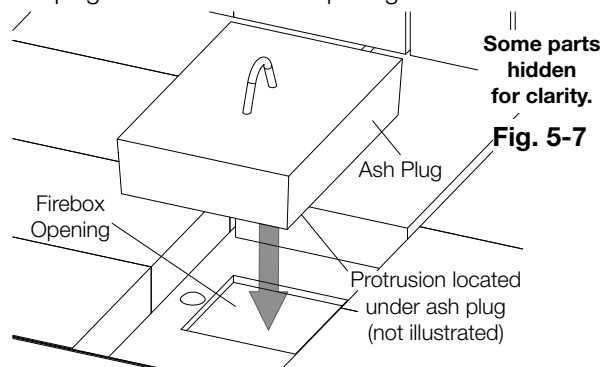
- Place the ash disposal housing into the ash disposal. Ensure the dimples fit into the bosses (**Fig. 5-5**). Close the ash disposal.
- Remove the small light weight brick that covers the ash opening and set aside for future use (**Fig. 5-6**).

note:

It is important that the area around the ash opening be cleaned well to ensure that a proper seal is created between the new ash plug and the ash opening.



- Once the area surrounding the opening has been cleaned, place the new ash plug (supplied) over the opening. Ensure the protrusion on the ash plug is recessed into the opening on the bottom of the firebox (**Fig. 5-7**).



WARNING

- Always operate this appliance with the door closed and latched except during startup and re-fueling. Always wear gloves to prevent injury. Do not leave the fire unattended when the door is unlatched as unstable wood could fall out of the fire chamber creating a fire hazard to your home.
- Never leave your children unattended when there is a fire burning in the appliance.
- Never use gasoline, gasoline-type lantern fuel, kerosene, charcoal lighter fluid, chemicals or similar liquids to start or 'freshen up' a fire in this appliance. Keep all such liquids well away from the appliance while it is in use.
- Objects placed in front of the appliance should be kept a minimum of 48" (121.9cm) from the front face.
- Any modification of the appliance that has not been approved in writing by the testing authority is considered breaching CSA B365 (Canada) and ANSI/NFPA 211 (USA).
- Open air control (and damper when fitted) before opening firing door.
- Hot while in operation. Keep children, clothing and furniture away. Contact may cause skin burns. Wear gloves to operate your appliance.
- Burning your appliance with the doors open or ajar creates a fire hazard that may result in a house and/or chimney fire.
- This wood appliance has a manufacturer-set minimum low burn rate that must not be altered. It is against federal regulations in the United States to alter this setting or otherwise operate this wood appliance in a manner inconsistent with operating instructions in this manual.

Your Napoleon EPA listed product is a Hi-tech appliance, designed with the most advanced technology. The appliance is extremely airtight.

The first fire(s) in your appliance will be difficult to get going and keep going with little amount of heat being generated. This is a result of the moisture being driven out of the fire brick. During the break-in period (the first 2 or 3 fires) create only small, fires using kindling; this will allow the firebrick to cure. Do not be alarmed if small hairline cracks develop in the firebrick. This is a normal occurrence and does not pose a safety hazard. The paint may also smell a little for the first few fires as it cures and you may wish to open a door or window to alleviate the smell.

To start, a brisk fire is required. Place loosely crumpled paper on the floor of the appliance and cover with dry kindling. Open the air control fully by sliding control all the way to the right. Light the paper and leave the door slightly ajar (1"/25.4mm) until all kindling is burning. To maintain a brisk fire, a hot coal bed must be established and sustained.

Slowly add larger wood (2x4 size pieces). Lay the pieces lengthwise from side to side in the hot coal bed with a shallow trench between, so that the primary air can flow directly into this trench and ignite the fuel above. When the fire seems to be at its peak, medium sized logs may be added. Once these logs have caught fire, carefully close the door. (Closing the door too quickly after refueling will reduce the firebox temperature and result in an unsatisfactory burn.) Remember it is more efficient to burn medium sized wood, briskly, and refuel frequently than to load the appliance with large logs that result in a smouldering, inefficient fire and dirty glass.

As soon as the door is closed, you will observe a change in the flame pattern. The flames will get smaller and lazier because less oxygen is getting into the combustion chamber. The flames, however, are more efficient. The flames will remain lazy but become larger again as soon as the firebricks have been heated thoroughly and the chimney becomes heated and provides a good draft. At this point, the roaring fire that you see when the door is opened is wastefully drawing heated room air up the chimney, certainly not desirable. Always operate with the door fully closed once the medium sized logs have caught fire.

You can now add larger pieces of wood and operate the appliance normally. Once the appliance is entirely hot, it will burn very efficiently with little smoke from the chimney. There will be a bed of orange coals in the firebox and secondary flames flickering just below the top baffles. You can safely fill the firebox with wood to the top of the door and will get best burns if you keep the appliance pipe temperatures between 250°F (120°C) and 450°F (270°C). A surface thermometer will help regulate this.

Without an appliance thermometer, you are working blindly and have no idea of how the appliance is operating! An appliance thermometer offers a guide to performance and should be located 18" (457mm) above the flue collar. Install the thermometer according to manufacturers instructions.

Can't get the fire going?

Use more kindling and paper. Assuming the chimney and vent are sized correctly and there is sufficient combustion air, the lack of sufficiently dry quantities of small kindling is the problem. Thumb size is a good gauge for small kindling diameter.

Can't get heat out of the appliance?

One of two things may have happened. The appliance door may have been closed prematurely and the appliance itself has not reached optimum temperature. Re-open the door and/or draft control to re-establish a brisk fire. The other problem may have been wet wood. The typical symptom is sizzling wood and moisture being driven from the wood.

6.1 optimum burn method

For optimal emissions performance and efficiency follow these simple guidelines when using your appliance:

- A.** Maintain a 2" (51mm) deep, hot, glowing red coal bed.
- B.** Burn dry seasoned wood with less than 20% moisture content and burn so that the glass door remains clean.
- C.** A stove thermometer 18" (457mm) up on the single wall stove pipe should indicate 350°F (176°C) as an average temperature.
- D.** Maintain a minimal trace of smoke coming from the chimney when the appliance is burning as intended.
- E.** Inspect and replace all necessary components such as gaskets, manifolds, glass and other components which may affect the overall appliance performance.
- F.** Ensure an adequate draft to control burn rate and temperature.

Refer to "operation" and "maintenance" sections for detailed information.

6.2 optional blower operation

The following operating procedure is recommended to achieve optimal performance:

When operating on high burn rate:

1. We recommend setting the blower to the "HIGH" setting and operating with a thermodisc (located at the back of the appliance).

When operating on medium burn rate:

2. We do not recommend using the blower.

When operating on low burn rate:

3. We recommend turning on the blower after approximately 60 minutes at the minimum setting and operating with a thermodisc (located at the back of the appliance).

6.3 air control

! WARNING

- This wood appliance has a manufacturer-set minimum low burn rate that must not be altered. It is against federal regulations in the United States to alter the setting or otherwise operate this wood appliance in a manner inconsistent with operating instructions in this manual.
- The adjustment range should not be altered for increased firing for any reason.

Draft is the force which moves air from the firebox up through the chimney. The amount of draft in your chimney depends on the length and diameter of chimney, local geography, nearby obstructions and other factors including the amount of heat generated by the fire which can be measured by an appliance thermometer.

Before adjusting the air control, install the knob (supplied) by screwing it onto the end of the air control rod (**Fig. 6-1**).

Pushing the air control all the way in reduces the temperature. The draft can be adjusted from low to high by moving the handle in and out (**Fig. 6-1**).

Inadequate draft may cause back-puffing into the room through the appliance and chimney connector points and may cause plugging of the chimney. Too much draft may cause an excessive temperature in the appliance, glowing red appliance parts or chimney connectors or an uncontrollable burn which can lead to a chimney fire or permanent damage to the appliance.

Do not operate your appliance for longer than 30 minutes with the draft control on "HIGH" (fully open).

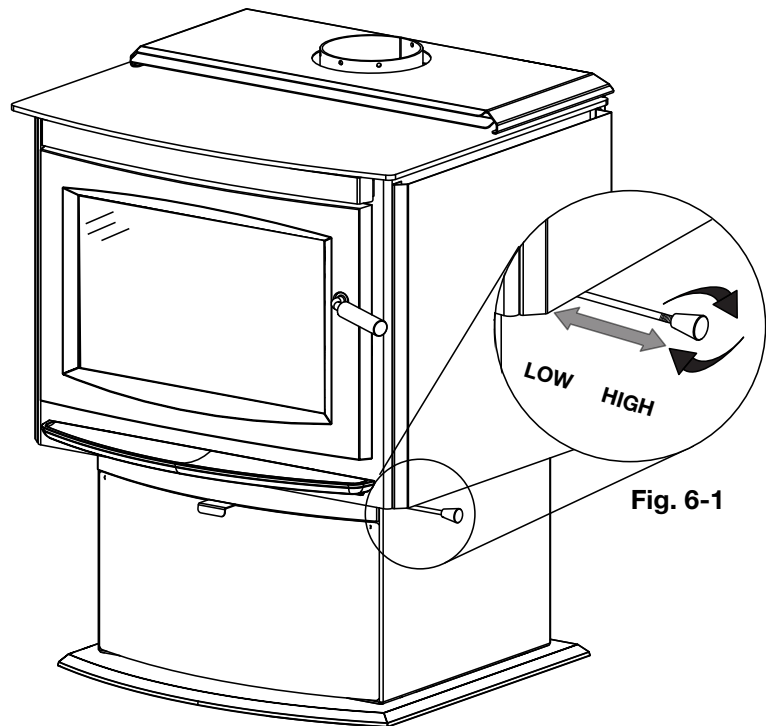


Fig. 6-1

6.4 fire extinguishers / smoke & carbon monoxide detectors

note:

Always check your smoke and CO detectors are working properly.

All homes with a solid fuel burning appliance should have at least one fire extinguisher in a central location, known to all, at least one smoke detector and carbon monoxide (CO) detector in the room containing the appliance. If the smoke detector sounds an alarm, correct the cause but do not deactivate or relocate the smoke detector. If the carbon monoxide detector sounds an alarm, immediately vent the area, evacuate and call your local fire department.

6.5 fuel

! WARNING

- Do not store fuel within the clearance to combustibles, or in the space required for re-fueling and ash removal.
- Burning wet, unseasoned wood can cause excessive creosote accumulation. When ignited, it can cause a chimney fire that may result in a serious house fire.

When loading the appliance, ensure that the upper fibre baffles are not lifted up and off the ledge. For maximum efficiency, when the appliance is thoroughly hot, load it fully to the top of the door opening and burn at a medium low setting. Maximum heat for minimum fuel (optimum burn) occurs when the appliance top temperature is between 500°F (260°C) and 600°F (315°C). The bricks will be nearly all white and the glass mostly clear. The whiteness of the bricks and the cleanliness of the glass are good indicators of your operating efficiency. Not enough heat is produced when only one or two pieces of wood are burned or the wood may not burn completely. A minimum of three pieces are needed to encase a bed of coals that sustains the fire.

note:

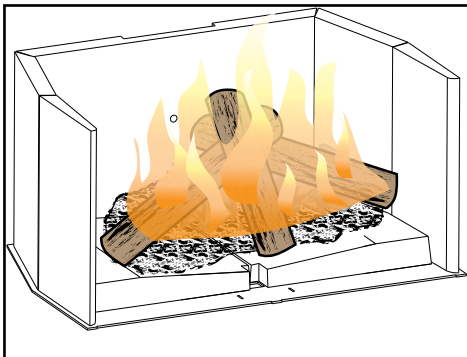
When loading the appliance, ensure to keep fuel back from the glass. If coals are to accumulate on the front lip, there is a chance they will fall out when the door is opened.

Loosely stacked wood burns quicker than a tightly packed load. Wood burns in cycles rather than giving a steady output of heat. It is best to plan these cycles around your household routine so that only enough coals are left to start the next load. In the evening, load your appliance, at least, a half-hour before bed to ensure a good fire, hot enough to close the draft control for an overnight burn.

Burn only dry seasoned wood with less than 20% moisture content. It produces more heat and less soot or creosote. Do not burn ocean beach wood. Its salt content can produce a metal-eating acid. When refueling open the door slowly to prevent smoke spillage. Use a pair of long gloves (barbecue gloves) when feeding the fire. Because these appliances burn at the front, they are clean and efficient, but they are also very hot and gloves are useful. Keep a small steel shovel nearby to use as a poker and to remove ashes. Do not store the wood within 3 feet (1m) of the appliance.

6.6 lighting a fire

6.6.1 flash fire



A flash fire is a small fire burned quickly when you don't need much heat. After your kindling has "caught", load at least 3 pieces of wood, stacked loosely. Burn with the draft control fully open or closed only slightly.

6.6.2 extended fire

Load your larger pieces of wood so they are tightly packed, close enough to prevent the flames from penetrating it completely. After approximately 30 minutes, depending on the size of the load, close the draft control completely making sure that the fire is not extinguished.

DO NOT OVERFIRE THE APPLIANCE!

Overfiring can occur by:

- A.** Burning large amounts of smaller wood pieces such as furniture scraps, skids or treated wood;
- B.** Vigorously burning large loads of wood with the draft control on "HIGH" (fully open) for long periods of time (one or two hours).
- C.** Operating the appliance with the ash dump door blocked open or a poor gasket seal on the main door.

6.7 smoking

A properly installed appliance should not smoke. If yours does, check the following:

- Has the chimney had time to get hot?
- Is the smoke passage blocked anywhere in the appliance, chimney connector or chimney?
- Is the room too airtight and the air intake not connected to the outside? Try with a window partly open.
- Is the smoke flow impeded by too long a horizontal pipe or too many bends?
- Is it a weak draft perhaps caused by a leaky chimney, a cold outside chimney, too large a diameter of a chimney, too short a chimney, or a chimney too close to trees or a higher roof?
- Is the moisture content of the wood greater than 20%?
- If equipped, has the catalyst bypass been closed or closed prematurely?

7.0 maintenance

WARNING

- Turn off the power before servicing the appliance.
- Appliance may be hot, do not service until appliance has cooled.
- Do not use abrasive cleaners.

Check your chimney and chimney connector for creosote and soot buildup weekly until a safe frequency for cleaning is established. If accumulation is excessive, disconnect the appliance and clean both the chimney and the appliance. You may want to call a professional chimney sweep to clean them. Both have to be cleaned at least once a year or as often as necessary.

Establish a routine for the fuel, wood burner, and firing technique. Check daily for creosote build-up until experience shows how often you need to clean to be safe. Be aware that the hotter the fire, the less creosote is deposited, and weekly cleaning may be necessary in mild weather even though monthly cleaning may be enough in the coldest months. Contact your local municipal or provincial fire authority for information on how to handle a chimney fire. Have a clearly understood plan to handle a chimney fire.

Remove fibre baffles and clean above them once a year. Replace any broken bricks or baffles.

7.1 ash removal procedures

WARNING

- Improper disposal of ashes result in fires. Do not discard ashes in cardboard boxes, dump in backyards, or store in garages.
- If using a vacuum to clean up ashes, be sure the ashes are entirely cooled. Using a vacuum to clean up warm ashes could cause a fire inside the vacuum.
- Never operate your appliance with the grate cover removed.
- Failure to achieve a good seal between the ash opening, ash plug or ash well door will result in an over-fire condition that could cause damage to the appliance.

Allow the ashes in your firebox to accumulate to a depth of two or three inches; they tend to burn themselves up. When the fire has burned down and cooled, remove any excess ashes but leave an ash bed approximately 1 inch (25mm) deep on the firebox bottom to help maintain a hot charcoal bed.

DISPOSAL OF ASHES: Ashes should be placed in a metal container with a tight fitting lid and moved outdoors immediately. No other waste shall be placed in this container. The closed container of ashes should be placed on a non-combustible floor or ground, well away from all combustible materials, pending final disposal. If the ashes are disposed of by burial in soil or otherwise locally dispersed, they should be retained in the closed container until all cinders have thoroughly cooled.

7.1.1 ash removal with ash disposal kit

- To remove the ashes, clear the ash away from the ash plug.
- Remove the ash plug. **It is recommended to use a poker.**
- Rake the excess ash into the ash disposal.
- **Do not overfill the ash disposal. Ash should not accumulate higher than the sides of the drawer.**
- Before removing the drawer, ensure that the area around the ash opening is clean. Tap the ash from the chute into the drawer, then place the ash plug back over opening. Only operate your appliance with a well sealed ash plug.

7.2 creosote formation and removal

When wood is burned slowly, it produces tar and other organic vapors, which combine with expelled moisture to form creosote. The creosote vapors condense in the relatively cooler chimney flue or a slow-burning fire. As a result, creosote residue accumulates on the flue lining. When ignited, this creosote makes an extremely hot fire.

The chimney connector and chimney should be inspected at least once every two months during the heating season to determine if a creosote buildup has occurred.

If creosote has accumulated, it should be removed to reduce the risk of a chimney fire.

7.3 runaway or chimney fire

WARNING

- A chimney fire can permanently damage your chimney system. This damage can only be repaired by replacing the damaged component parts. Chimney fires are not covered by the lifetime limited warranty.

CAUSES:

- Using incorrect fuel, or small fuel pieces which would normally be used as kindling.
- Creosote build up in chimney.
- Leaving the door ajar too long and creating extreme temperatures as the air rushes in the open door.
- If equipped, burning your appliance with the ash plug not securely seated.

SOLUTIONS:

- Do not burn treated, painted, artificial, paper or processed wood logs, coal, charcoal, coloured paper or cardboard.
- Have chimney regularly cleaned.
- Be careful not to over-fire the appliance by leaving the door open too long after initial start-up. A thermometer on the chimney connector and/or appliance top helps to indicate the appliance operating temperature.
- If equipped, always operate the appliance with the ash plug properly installed.

IN CASE OF A CHIMNEY FIRE:

- Close glass door and air control (and damper, when equipped).
- Have a well understood plan for evacuation and a place outside for everyone to meet. Prepare to evacuate to ensure everyone's safety.
- Call local fire department. Have a fire extinguisher handy. Contact local authorities for further information on how to handle a chimney fire.
- After the chimney fire is out, clean and inspect the chimney or chimney liner for stress and cracks prior to lighting another fire. Also check combustibles around the chimney and the roof.

7.4 chimney cleaning

Both the chimney and the appliance must be inspected and cleaned if necessary at least once a year.

For serious wood burners, chimney cleaning must be done as needed to avoid chimney fires; the venting systems for controlled combustion appliances may need cleaning as often as once a month. These rates, however, depend on the burning habits of the individual operating the appliance. For example, it is possible to clog a solid fuel appliance chimney in a few days if slow, smoldering fires are burned and the chimney is cold.

note:

Appliances burned consistently without hot fires may result in significant creosote accumulations in the chimney.

Certain items and considerations are important in chimney cleaning:

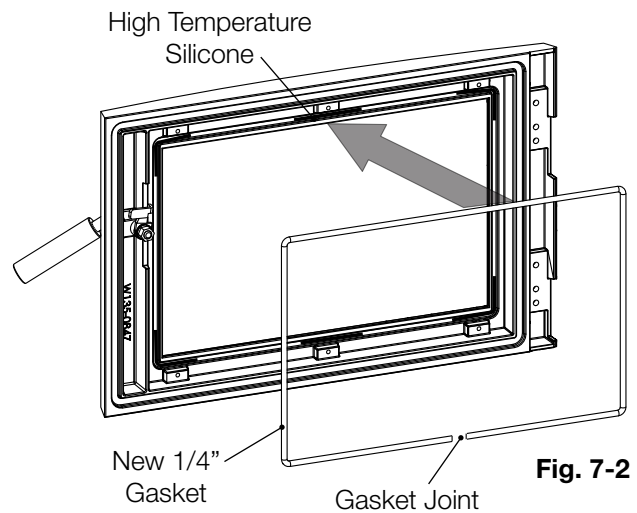
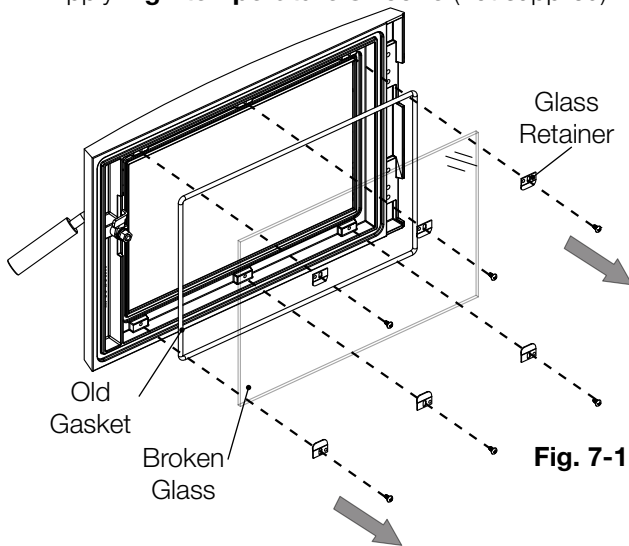
- Proper tools should be used, including a brush specifically designed for chimney cleaning.
- The chimney connector and dampers as well as the chimney should be cleaned.
- The appliance's firebox and baffle system should be cleaned if needed.
- The chimney should be inspected and repairs made if needed, preferably by a qualified chimney sweep or mason.

7.5 door glass replacement

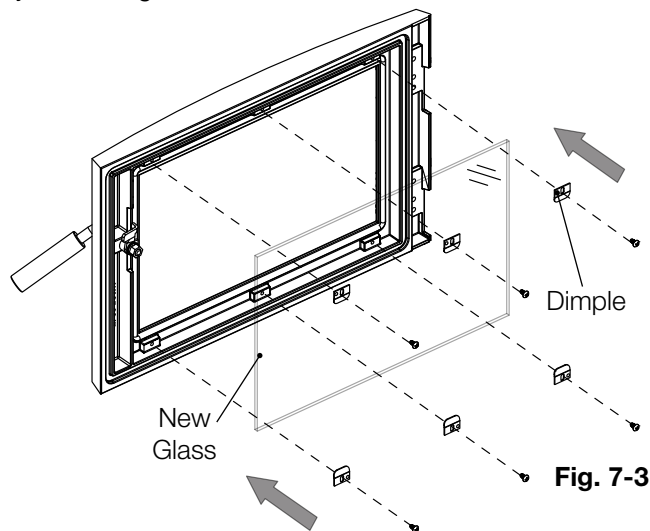
! WARNING

- Do not use substitute materials.
- Glass may be hot. Do not touch glass until cooled.
- Care must be taken when removing and disposing of any broken door glass or damaged components. Be sure to vacuum up any broken glass from inside appliance before operation.
- Do not strike, slam, or scratch. Do not operate appliance with glass removed, cracked, broken, or scratched.

1. When the appliance is cool, have two people remove the door and place it face down on a soft, non-abrasive surface (see "door removal" section). Be careful not to scratch the paint.
2. Remove the 6 screws securing the glass retainers (**Fig. 7-1**). Set the screws and glass retainers aside.
3. Remove all broken glass and the old gasket.
4. Apply **high temperature silicone** (not supplied) in the gasket groove as illustrated (**Fig. 7-2**).



5. Cut the 1/4" gasket (supplied) to size and place on top of the silicone. Press the gasket down firmly to ensure it stays in place. Ensure the gasket joint is at the bottom as illustrated (**Fig. 7-2**).
6. Place new glass on top of the gasket.
7. Re-secure the 6 glass retainers by installing the 6 screws previously removed in step 2 (**Fig. 7-3**). Ensure the retainer dimples face away from the glass.



8. Re-install the door.

7.6 care of glass

! WARNING

- Do not clean glass when hot! Do not use abrasive cleaners to clean glass.

If the glass is not kept clean, permanent discolouration and/or blemishes may result. Normally a hot fire will clean the glass. The most common reasons for dirty glass include:

- Not using sufficient fuel to get the appliance thoroughly hot.
- Using green or wet wood.
- Closing the draft so far that there is insufficient air for complete combustion.

If it is necessary to clean the glass, buff lightly with a clean dry cloth and non-abrasive cleaner. Clean the glass after the first 10 hours of operation with a recommended appliance glass cleaner. Thereafter, clean as required.

The glass is very strong, but do not let burning fuel rest or fall against it and always close the door gently.

NEVER FORCE OR SLAM IT SHUT!

Do not operate the appliance with broken glass, as leakage of flue gases may result.

Contact your local authorized dealer/distributor for complete cleaning instructions.

If the glass should ever crack or break while the fire is burning, do not open the door until the fire is out. Do not operate the appliance until the glass has been replaced. Contact your local authorized dealer/distributor for replacement parts. **DO NOT SUBSTITUTE MATERIALS.**

This appliance is factory equipped with 5mm ceramic glass. Use only replacement parts as supplied by the appliance manufacturer. **DO NOT SUBSTITUTE MATERIALS.**



7.7 door gasket replacement

1. When the appliance is cool, remove the door and place it face down on a soft, non-abrasive surface (see “door removal” section). Be careful not to scratch the paint.
2. Apply **high temperature silicone** (not supplied) in the gasket groove as illustrated (**Fig. 7-4**).
3. Cut the 1/2” gasket (supplied) to size and place on top of the silicone. Press the gasket down firmly to ensure it stays in place. Ensure the gasket joint is at the bottom as illustrated (**Fig. 7-4**).
4. Re-install the door.

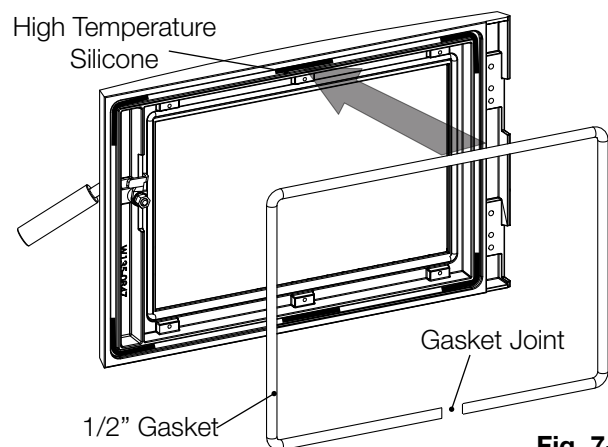


Fig. 7-4

7.8 wood

! WARNING

- This appliance is designed to burn natural wood only. Do not burn treated wood, coal, charcoal, coloured paper, cardboard, solvents or garbage. This appliance has not been tested with an unvented gas log set. To reduce risk of fire or injury, do not install an unvented gas log set into the appliance.
- Higher efficiencies and lower emissions generally result when burning air dried seasoned hardwoods, as compared to softwoods or too green or freshly cut hardwoods.
- Burning wet unseasoned wood can cause excessive creosote accumulation. When ignited, it can cause a chimney fire that may result in a serious house fire.
- Do not store fuel within the clearance to combustibles, or in the space required for re-fueling and ash removal.

Before loading the appliance, ensure all required insulation and baffles (if equipped) are installed and situated properly. For maximum efficiency, when the appliance is thoroughly hot, load it fully to the specified maximum amount and burn at a medium low setting (if equipped). The whiteness of the bricks and the cleanliness of the glass are good indicators of your operating efficiency. Not enough heat is produced when only a few pieces of wood are burned or the wood may not burn completely.

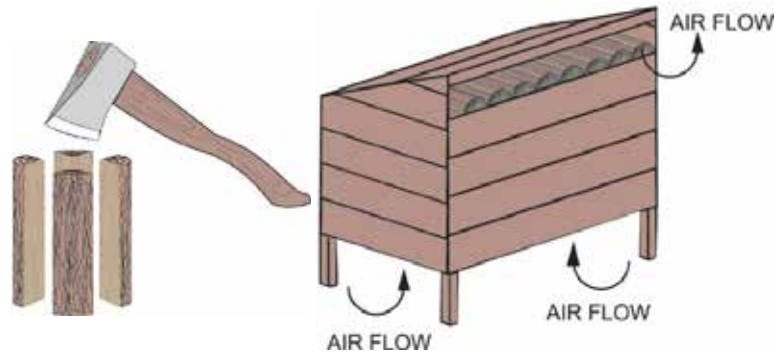
note:

Appliances surrounded by solid rock or brick will experience a longer heat up period as those materials absorb the heat being generated.

TYPES OF WOOD

Both hardwood and softwood burn equally well in this appliance but hardwood is denser, will weigh more per cord and burn a little slower and longer.

Manufactured firelogs made by compressing 100% natural wood fibre can be safely used as fuel. Do not use manufactured firelogs if they contain additives such as paraffin, wax, binders etc. Never burn more than two manufactured firelogs at a time.

**MOISTURE CONTENT**

Burn only dry, clean unpainted wood that has been seasoned. It produces more heat and less soot or creosote. Freshly cut wood contains about 50% moisture while after proper seasoning only about 20% of the water remains. As wood is burned, this water boils off consuming energy that should be used in heating. The wetter the wood, the less heat is given off and the more creosote is produced. Dry firewood has cracks in the end of the grain.

STORING WOOD

Firewood should be split and stacked in a manner that allows for full air circulation and covered in early spring to be ready for burning that fall. Dry firewood has cracks in the end grain.

Cut the wood so that it will fit horizontally, front to back, making for easier loading and less of a likelihood that the wood will roll onto the glass.

Fuel for the appliance must not be stored closer than the required clearances to combustibles (heat sensitive material). **NEVER STORE WOOD IN THE ASH PAN COMPARTMENT (if applicable).**

WARNING

- Failure to position the parts in accordance with this manual or failure to use only parts specifically approved with this appliance may result in property damage or personal injury.

Contact your dealer for questions concerning prices and policies on replacement parts. Normally, all parts can be ordered through your Authorized dealer / distributor.

For warranty replacement parts, a photocopy of the original invoice will be required to honour the claim.

When ordering replacement parts always give the following information:

- Model & Serial Number of appliance
- Installation date of appliance
- Part number
- Description of part
- Finish

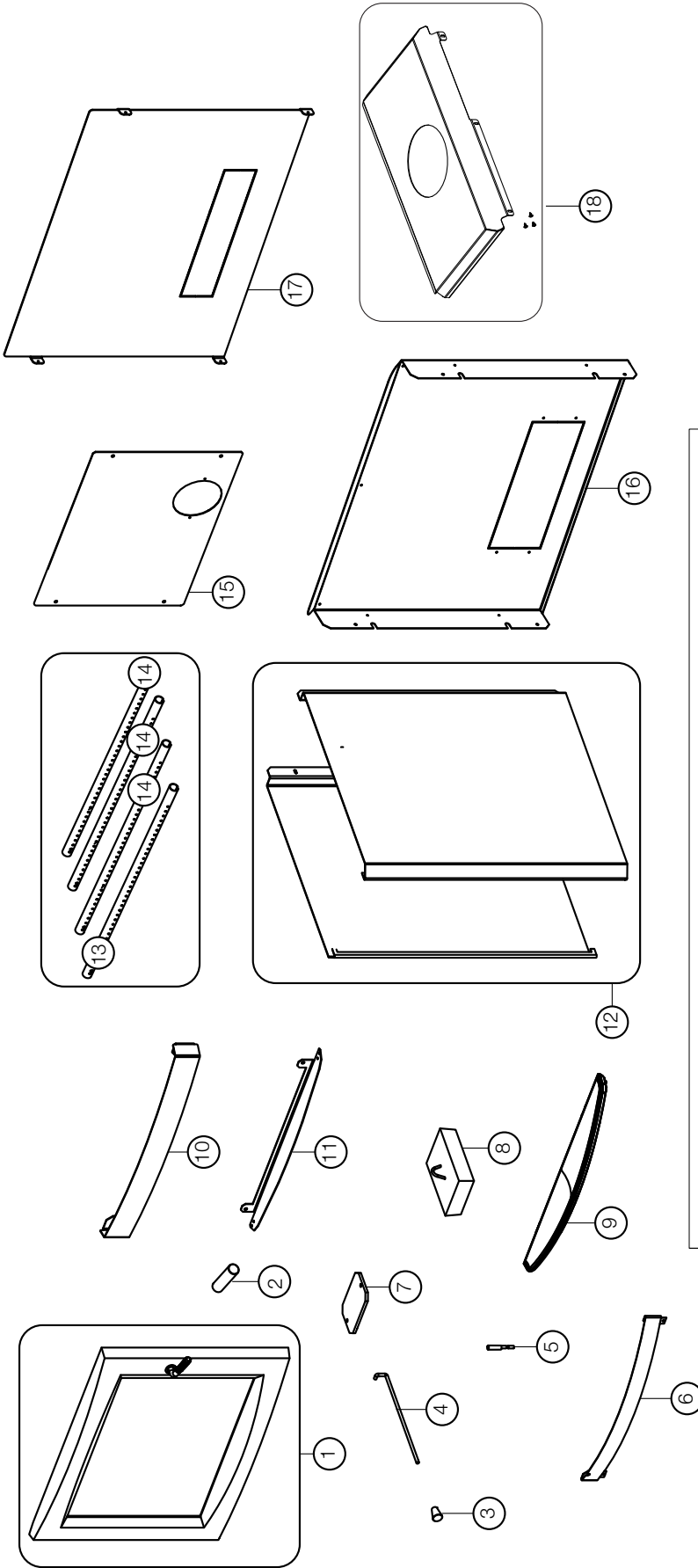
Parts, part numbers, and availability are subject to change without notice.

Parts identified as stocked will be delivered within 2 to 5 business days for most delivery destinations.

Parts not identified as stocked will be delivered within a 2 to 4 week period, for most cases.

Parts identified as 'SO' are special order and can take up to 90 days for delivery.

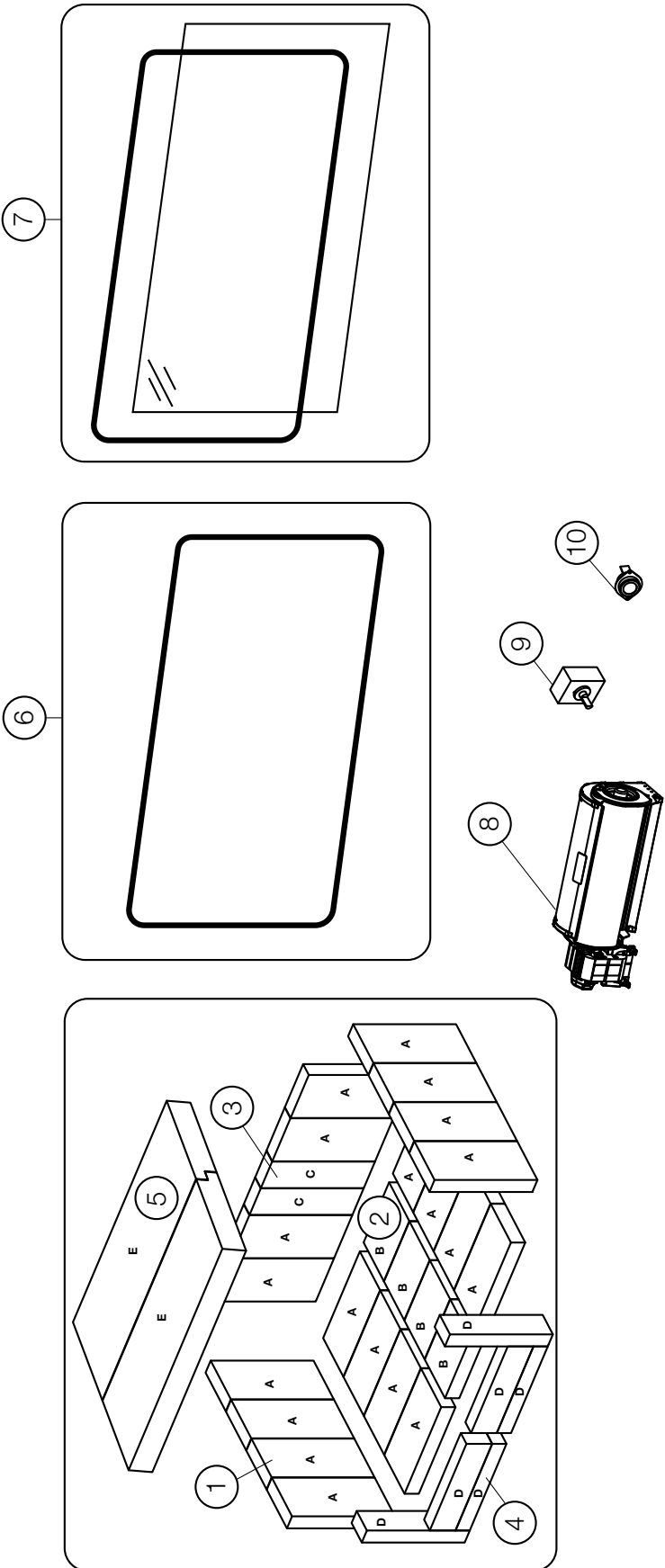
8.1 overview part 1



Items may not appear exactly as illustrated.

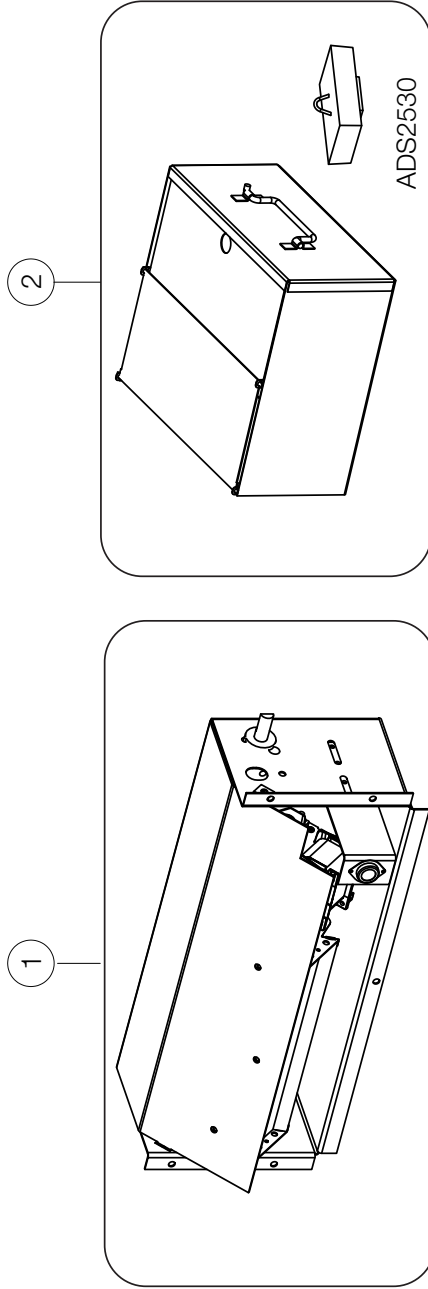
Ref. No.	Part Number	Description	Stocked	Ref. No.	Part Number	Description	Stocked
1	W010-4823-SER	Door assembly		10	W200-0809-SER	Front cover	
2	W325-0103	Front door handle		11	W200-0810-SER	Lower front cover	
3	W380-0034-SER	Primary air control knob		12	W585-0974-SER	Side panels (left and right)	
4	W555-1019	Control air rod		13	W720-0204-SER	Secondary air tube (front)	
5	W485-0076-SER	Straight hinge pin		14	W720-0205-SER	Secondary air tube (rear)	
6	W200-0815-SER	Ash drawer top cover		15	W500-1076-SER	Back pedestal plate	
7	W510-0023-SER	Ash cover plate		16	W585-0975-SER	Back shield	
8	W510-0011-SER	Ash plug		17	W585-0976-SER	Middle heat shield	
9	W135-0970-SER	Ash lip casting		18	W010-4901-SER	Top heat shield assembly	

8.2 overview part 2



Items may not appear exactly as illustrated.

Ref. No.	Part Number	Description	Stocked
1	W090-0338	Brick, 1.250 x 4.500 x 9.000 (A)	
2	W090-0340	Brick, 1.250 x 6.250 x 4.500 (B)	
3	W090-0341	Brick, 1.250 x 2.625 x 9.000 (C)	
4	W090-0339	Brick, 1.250 x 2.252 x 9.000 (D)	Yes
5	W018-0241	Baffle, ceramic fibre (E)	Yes
6	W562-0043-SER	Kit, door gasket	Yes
7	W370-0227	Kit, glass and gasket	Yes
8	W067-0077-SER	Blower, replacement (6.5" crossflow)	Yes
9	KB-35	Variable speed switch	Yes
10	W690-0002	Thermomdisc (heat sensor)	Yes



Items may not appear exactly as illustrated.

Ref. No.	Part Number	Description	Stocked
1	NEP70	Blower kit	
2	ADS2530	Kit, ash disposal	
3 *	111KT	Outside air kit	

* Parts not illustrated.

WARNING

- Turn off the appliance completely and let cool before servicing. Only a qualified service person should service and repair this electric appliance.
- Appliance may be hot, do not service until appliance has cooled.
- Do not use abrasive cleaners.
- When checking connections, installing jumper wires (for test purposes only) or replacing components, unplug appliance from the receptacle to prevent electrical shock or damage to the component.

symptom	test solution
Can't get the fire started.	Not enough kindling / paper? Add more.
	Not enough air? Ensure air control is fully open. Also ensure that the air opening is not obstructed.
	Cold air blockage? Burn a piece of paper to establish a draft.
	Use dry seasoned wood with 20% moisture content.
Smokes when door is open.	Flue blockage? Inspect chimney.
	Cold air blockage? Burn a piece of paper to establish a draft.
	Insufficient draft? Add more pipe.
	Let air stabilize before opening door.
Appliance emits odour.	Ensure baffles are positioned correctly.
	Negative pressure? Open a window near the appliance.
Stove doesn't burn hot enough.	Paint curing, see "general instructions" section.
	Wood has more than 20% moisture.
	Insufficient draft? Add more pipe.
Wood burns too fast.	Not enough air? Ensure air control is fully open. Also ensure that the air opening is not obstructed.
	Air control may need to be adjusted down.
	Check to see ash plug is properly seated (if equipped).
	Check door gasket for adequate seal.
Dirty glass.	Wood may be extremely dry.
	Air control may be closed too far.
	Burn hotter, smaller fires.
Blower does not run.	Use well seasoned wood with 20% moisture content.
	Appliance may not be up to temperature.
	Ensure blower has power.

11.0 warranty

Napoleon Wood Appliances are manufactured under the strict Standard of the world recognized ISO 9001 : 2015 Quality Management System.

Napoleon products are designed with superior components and materials assembled by trained craftsmen who take great pride in their work. The complete appliance is again thoroughly inspected by a qualified technician before packaging to ensure that you, the customer, receives the quality product that you expect from **Napoleon**.

Napoleon Wood Appliances President's Lifetime Limited Warranty

The following materials and workmanship in your new **Napoleon** Wood Appliance are warranted against defects for as long as you own the appliance. For pellet appliances this covers: the pellet hopper, outer shell, ceramic glass (thermal breakage only) and ash drawer.* For wood appliances this covers: combustion chamber, heat exchanger, stainless steel baffle retainer, ceramic glass (thermal breakage only), gold plated parts against tarnishing, porcelainized enameled components, aluminum extrusion trims, vortex baffles, ash drawer and iron castings.*

For pellet appliances, the combustion chamber and heat exchanger are warranted against defects for a period of 5 years.

For wood appliances equipped with a guillotine door/screen system, they are warranted against defects for a period of 5 years.

Electrical (110V) components and wearable parts are covered and **Napoleon** will provide replacement parts free of charge during the first year of the limited warranty. For pellet appliances this covers: blowers, thermal switches and burn pot.* For wood appliances this covers: blowers, thermal switch, switches, wiring, firebrick, secondary air tubes and gasketing.*

Labour related to warranty repair is covered free of charge during the first year, with the exception of the guillotine door/screen system which will be warranted for a period of 3 years. Repair work, however, requires the prior approval of an authorized company official. Labour costs to the account of **Napoleon** are based on a predetermined rate schedule and any repair work must be done through an authorized **Napoleon** dealer.

For appliances that include firebricks and baffles, they should routinely be removed by the operator as part of the regular service and therefore, any warranty replacement of these parts does not qualify for any labour allowances.

* Construction of models vary. Warranty applies only to components included with your specific appliance.

Conditions and Limitations

Napoleon warrants its products against manufacturing defects to the original purchaser only. Registering your warranty is not necessary. Simply provide your proof of purchase along with the model and serial number to make a warranty claim. Provided that the purchase was made through an authorized **Napoleon** dealer, your appliance is subject to the following conditions and limitations:

Warranty coverage begins on the date of original installation. This factory warranty is non-transferable and may not be extended whatsoever by any of our representatives. The wood appliance must be installed by a qualified and authorized installer, service agency or supplier. Installation must be done in accordance with the installation instructions included with the product and all local and national building and fire codes. This limited warranty does not cover damages caused by misuse, lack of maintenance, accident, alterations, abuse or neglect. Operating the appliance on high for extended periods of time, is neglect. Parts installed from other manufacturers will nullify this warranty.

This limited warranty further does not cover any scratches, dents, corrosion or discoloring caused by excessive heat, abrasive and chemical cleaners nor chipping on porcelain enamel parts, nor any venting components used in the installation of the appliance. In the first year only, this warranty extends to the repair or replacement of warranted parts which are defective in material or workmanship provided that the product has been operated in accordance with the operation instructions and under normal conditions. After the first year, with respect to the President's Limited Lifetime Warranty, **Napoleon** may, at its discretion, fully discharge all obligations with respect to this warranty by refunding to the original warranted purchaser the wholesale price of any warranted but defective parts. After the first year, **Napoleon** will not be responsible for installation, labour or any other costs or expenses related to the reinstallation of a warranted part, and such expenses are not covered by this warranty. Notwithstanding any provisions contained in the President's Limited Lifetime Warranty, **Napoleon's** responsibility under this warranty is defined as above and it shall not, in any event, extend to any incidental, consequential or indirect damages. This warranty defines the obligations and liability of **Napoleon** with respect to the **Napoleon** wood appliance and any other warranties expressed or implied with respect to this product, its components or accessories are excluded. **Napoleon** neither assumes, nor authorizes any third party to assume, on its behalf, any other liabilities with respect to the sale of this product. **Napoleon** will not be responsible for: over-firing, downdrafts, spillage caused by environmental conditions such as rooftops, buildings, nearby trees, hills, mountains, inadequate vents or ventilation, excessive venting configurations, insufficient makeup air, or negative air pressures which may or may not be caused by mechanical systems such as exhaust blowers, furnaces, clothes dryers, etc.

Any damages to appliance, combustion chamber, heat exchanger, brass trim or other component due to water, weather damage, long periods of dampness, condensation, damaging chemicals or cleaners will not be the responsibility of **Napoleon**. Regular cleaning of the fine ash generated during the operation of this appliance is a necessary part of maintaining your wood appliance. Failure of any components, which is attributed to poor maintenance, is not warrantable and will not be covered by this policy. **Napoleon** reserves the right to have its representative inspect any product or part thereof prior to honouring any warranty claim. All parts replaced under the President's Limited Lifetime Warranty Policy are subject to a single claim. During the first 10 years **Napoleon** will replace or repair the defective parts covered by the lifetime warranty at our discretion free of charge. From 10 years to life, **Napoleon** will provide replacement parts at 50% of the current retail price. All parts replaced under the warranty will be covered for a period of 90 days from the date of their installation. The manufacturer may require that defective parts or products be returned or that digital pictures be provided to support the claim. Returned products are to be shipped prepaid to the manufacturer for investigation. If a product is found to be defective, the manufacturer will repair or replace such defect. Before shipping your appliance or defective components, your dealer must obtain an authorization number. Any merchandise shipped without authorization will be refused and returned to sender. Shipping costs are not covered under this warranty. Additional service fees may apply if you are seeking warranty service from a dealer. Warranty labour allowance is only for the replacement of the warranted part. Travel, diagnostic tests, shipping and other related charges are not covered by this warranty and other related charges are not covered by this warranty.

All specifications and designed are subject to change without prior notice due to on-going product improvements. **Napoleon** is a registered trademark of Wolf Steel Ltd.

NAPOLEON CELEBRATING OVER 40 YEARS OF HOME COMFORT PRODUCTS



7200, Route Transcanadienne, Montréal, Québec H4T 1A3
24 Napoleon Road, Barrie, Ontario, Canada L4M 0G8
214 Bayview Drive, Barrie, Ontario, Canada L4N 4Y8
103 Miller Drive, Crittenden, Kentucky, USA 41030
De Riemsdijk 22, 4004 LC Tiel, The Netherlands

Phone: 1-866-820-8686
napoleon.com



MANUEL D'INSTALLATION ET D'OPÉRATION

S25

INSTALLATEUR:

Laissez ce manuel avec l'appareil.

PROPRIÉTAIRE:

Conservez ce manuel pour consultation ultérieure.

CONSIGNES DE SÉCURITÉ

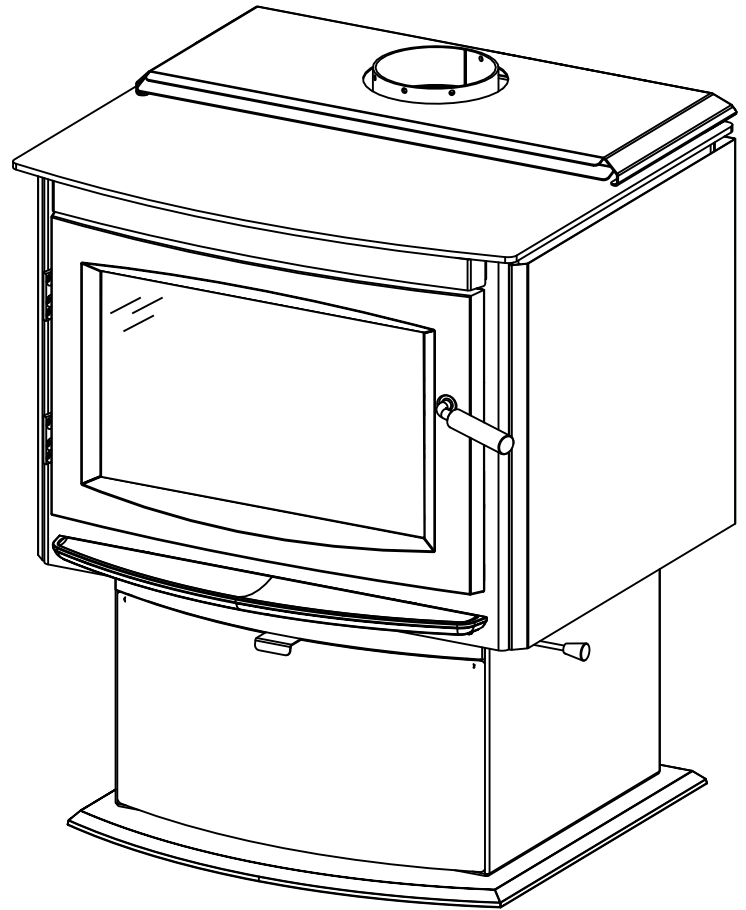
⚠ AVERTISSEMENT

Si ces instructions ne sont pas suivies à la lettre, un incendie ou une explosion pourraient s'ensuivre, causant des dommages matériels, des blessures corporelles ou des pertes de vie. Veuillez lire le manuel en entier avant d'installer et d'utiliser cet appareil. Cet appareil n'a pas été testé avec un ensemble de bûches à gaz non ventilées. Afin de réduire le risque d'incendie ou de blessure, n'installez pas d'ensemble de bûches à gaz non ventilées dans cet appareil.

- Cet appareil peut devenir très chaud lorsqu'il fonctionne.
- Les matériaux combustibles, tels que le bois de chauffage, les vêtements mouillés, etc. placés trop près de l'appareil pourraient prendre feu.
- Il faut empêcher les enfants et les animaux de toucher l'appareil quand il est chaud.
- La cheminée doit être en bon état et ne pas être fêlée. Avant d'installer cet appareil, contactez le service du bâtiment ou le service d'incendie de votre municipalité et suivez leurs directives.
- Faites fonctionner l'appareil seulement avec la porte (les portes) ou l'écran (s'il y a lieu) bien fermée.
- Brûlez le bois en arrière du pare-bûches, directement sur les briques réfractaires.
- N'utilisez pas un chenet et n'essayez pas de surélever le feu de quelque manière.
- Cet appareil a été conçu pour brûler seulement le bois naturel. Vous obtenez une meilleure efficacité et des émissions plus basses avec du bois dur séché à l'air qu'avec du bois résineux ou vert, ou du bois dur fraîchement coupé.
- N'allumez pas votre feu à l'aide de produits chimiques ou de liquides, tels que l'essence, de l'huile à moteur, etc.
- Ne brûlez pas de déchets, des résidus de tonte de pelouse, de caoutchouc, des produits pétroliers résiduels, de la peinture ou du diluant / de solvants, de plastique, des matériaux contenant de l'amiante, des débris de construction, des traverses de chemin de fer ou de bois traités, du fumier ou des restes d'animaux, du bois de grève imprégné de sel ou des matériaux salés, du bois non séché, de charbon, de papiers de couleur, de cartons, des contreplaqués ou des panneaux de particules. Brûler ces matériaux pourrait entraîner la libération de fumées toxiques ou rendre l'appareil inefficace et générer de la fumée.
- Ne laissez pas l'appareil chauffer au point où des parties deviennent rougeoyantes.

Poêles à bois SEULEMENT

- Au moins 14 pouces carrés (90,3 centimètre carrés) d'air extérieur doit être admis dans le pièce ou directement dans l'appareil par un conduit de 4 pouces (102mm) de diamètre.
- GARDEZ LA TEMPÉRATURE SUR LE DESSUS DE L'APPAREIL SOUS 700°F (371°C). Toute tentative d'atteindre débits maximaux de chaleur, pourrait provoquer la distorsion de l'acier et causer des dommages.

**POUR L'UTILISATION INTÉRIEUR SEULEMENT**

CERTIFIÉ SELON LES NORMES D'ÉMISSION DE PARTICULE DE 2020 DE L'AGENCE DE PROTECTION DE L'ENVIRONNEMENT AMÉRICAINE (E.P.A) EN UTILISANT DU BOIS DE CORDE.

CET APPAREIL A ÉTÉ TESTÉ PAR POLYTESTS ET HOMOLOGUÉ PAR CSA GROUP À NORMES: ULC S627 ET UL1482, ASTM E3053-17; ASTM E2515-11 MÉTHODES ALT-125.

COMME RÉFÉRENCÉ DANS 40 CFR PARTIE 60 SOUS-PARTIE AAA.

N° DE RÉFÉRENCE: 161746.

CONSULTEZ L'AUTORITÉ COMPÉTENTE (COMME LE SERVICE MUNICIPAL DU BÂTIMENT, LE SERVICE D'INCENDIE, LE BUREAU DE PRÉVENTION DES INCENDIES, ETC.) POUR DÉTERMINER LA NÉCESSITÉ D'OBTENIR UN PERMIS.

APPOSEZ L'ÉTIQUETTE DU NUMÉRO DE SÉRIE DU CARTON



Wolf Steel Ltd., 24 Napoleon Rd., Barrie, ON, L4M 0G8 Canada / 103 Miller Drive, Crittenden, Kentucky, USA, 41030
Téléphone 1 (866) 820-8686 • www.napoleon.com • hearth@napoleon.com

consignes de sécurité

FR


AVERTISSEMENT

- Cet appareil est chaud lorsqu'il fonctionne et peut causer de graves brûlures en cas de contact.
- Toute modification apportée à cet appareil ou aux contrôles peut être dangereux et est interdit.
- Ne faites pas fonctionner l'appareil avant d'avoir lu et compris les instructions d'opération. Omettre d'utiliser l'appareil selon les instructions d'opération pourrait causer un incendie ou des blessures.
- Avant d'installer cet appareil, contactez les autorités locales du bâtiment ou le service des incendies et suivez leurs directives.
- Cet appareil doit être installé par un installateur qualifié. N'essayez jamais de réparer ou de remplacer les pièces de cet appareil à moins que des instructions soient fournies à cet effet dans ce manuel. Tout autre travail devrait être effectué par un technicien qualifié.
- Risque de brûlures. L'appareil doit être éteint et refroidi avant d'effectuer un entretien.
- Ne faites pas fonctionner tant que tous les composants ne sont pas complètement installés. N'installez pas de composants endommagés ou incomplets ni des composants substitués.
- Ne laissez pas l'appareil chauffer au point où des parties deviennent rougeoyantes.
- Risque de coupures et d'éraflures. Portez des gants protecteurs et des lunettes de sécurité lors de l'installation. Les bordures des pièces de métal peuvent être coupantes.
- Cet appareil doit être raccordé électriquement par un électricien qualifié conformément aux codes locaux. En l'absence de codes locaux, utilisez la version courante du code canadien de l'électricité CSA C22.1 au Canada ou le national electrical code ANSI/NFPA 70 aux États-Unis.
- Brûler votre appareil avec la porte de décharge de cendre ouvert crée un risque d'incendie qui peuvent entraîner une décoloration de la porte, les dommages internes à l'appareil ou un feu de cheminée.
- Cet appareil ne doit pas être raccordé au conduit d'une cheminée desservant un autre appareil.
- Les enfants et les adultes devraient être informés des dangers que posent les températures de surface élevées et se tenir à distance afin d'éviter des brûlures ou que leurs vêtements ne s'enflamment.
- Surveillez attentivement les jeunes enfants lorsqu'ils sont dans la même pièce que l'appareil. Les jeunes enfants et autres sont plus à risque de contacts accidentels causant des brûlures. Une barrière physique est conseillée lorsque qu'il y a des individus à risque dans la maison. Pour empêcher l'accès à un appareil ou un poêle, installez une barrière de sécurité pour garder les jeunes enfants et autres individus à risque hors de la pièce et éloignés des surfaces chaudes. Les vêtements et autres matériaux combustibles ne doivent pas être posés sur le foyer ou à proximité.
- En raison des températures élevées, le foyer devrait être placé loin des endroits passants et loin des meubles et des rideaux. Les objets placés devant l'appareil doivent être gardés à une distance d'au moins 4 pieds (1,2m) de l'avant de l'appareil.
- En raison des températures élevées, l'appareil devrait être placé loin des endroits passants et loin des meubles et des rideaux.
- Assurez-vous de disposer de mesures de sécurité adéquates pour empêcher les jeunes enfants de toucher aux surfaces chaudes.
- Même une fois que le foyer est éteint, la vitre et/ou le pare-étincelles demeureront chauds pendant un temps prolongé.
- Consultez votre détaillant local de foyer pour connaître les grillages de sécurité et les écrans offerts pour protéger les enfants des surfaces chaudes. Ces grillages de sécurité et ces écrans doivent être fixés au plancher.
- Les grillages de sécurité ou écrans enlevés pour faire l'entretien devront être remis en place avant d'utiliser l'appareil.
- Cet appareil ne devra être modifié en aucun cas.
- Cet appareil ne doit pas être raccordé au conduit d'une cheminée desservant un autre appareil de chauffage à combustible solide.
- Ne pas opérer l'appareil lorsque la porte vitrée est enlevée, fissurée ou brisée. Le remplacement de la vitre devra être effectué par un technicien de service certifié ou qualifié.
- Ne frappez pas et ne claquez pas la porte vitrée de l'appareil.
- Seulement les portes/façades certifiées pour cet appareil peuvent être utilisées avec cet appareil.



AVERTISSEMENT

- Gardez les matériaux d'emballage hors de la portée des enfants et mettez ces matériaux au rebut de façon sécuritaire. Comme tous les emballages de plastique, ces matériaux ne sont pas des jouets et doivent demeurer hors de la portée des enfants et des bébés.
- Si cet appareil n'est pas installé de façon adéquate, un incendie pourrait s'ensuivre. N'exposez pas l'appareil aux éléments (p. ex. la pluie, etc.) et gardez-le au sec en tout temps. De l'isolant humide produira une odeur lorsque l'appareil est utilisé.
- La cheminée doit être en bon état et ne pas être fissurée. Nettoyez la cheminée au moins deux fois par année et lorsque nécessaire.
- N'allumez pas votre feu à l'aide de produits chimiques ou de liquides tels que de l'essence, de l'huile à moteur, etc.
- Votre appareil nécessite un entretien et un nettoyage périodiques. Négliger cet entretien peut causer des refoulements de fumée dans la maison.
- Les cendres doivent être mises dans un contenant métallique avec un couvercle hermétique et déposé sur une surface incombustible suffisamment éloigné de la maison ou de toute structure jusqu'à ce qu'elles soient complètement refroidies.
- Assurez-vous de respecter les dégagements aux matériaux combustibles lorsque vous installez un manteau ou des tablettes au-dessus de l'appareil. Les températures élevées sur le mur ou de l'air au-dessus de l'appareil peuvent faire fondre, décolorer ou endommager les décorations, les téléviseurs ou autres composants électroniques.

 WARNING: This product can expose you to chemicals including lead and lead compounds, which are known to the State of California to cause cancer, and chemicals including carbon monoxide, which are known to the State of California to cause birth defects or other reproductive harm. For more information, go to www.P65Warnings.ca.gov.

Pour les appareils de bois:

- Vous obtenez une meilleure efficacité et des émissions plus basses avec du bois dur séché à l'air qu'avec du bois résineux ou vert, ou des bois durs fraîchement coupés. Brûler du bois vert ou humide peut causer des accumulations excessives de crésote. Lorsqu'elle est allumée, cette dernière peut causer un feu de cheminée et un incendie grave pourrait s'ensuivre.
- Cet appareil a été conçu pour brûler du bois naturel uniquement. Ne brûlez pas de déchets, des résidus de tonte de pelouse, de caoutchouc, des produits pétroliers résiduels, de la peinture ou du diluant / de solvants, de plastique, des matériaux contenant de l'amiante, des débris de construction, des traverses de chemin de fer ou de bois traités, du fumier ou des restes d'animaux, du bois de grève imprégné de sel ou des matériaux salés, du bois non séché, de charbon, de papiers de couleur, emballage-cadeau, de cartons, des contreplaqués ou des panneaux de particules. La combustion de ces matériaux peut entraîner la libération de fumées toxiques ou rendre l'appareil inefficace et causer de la fumée.
- Brûlez le bois directement sur les briques réfractaires. N'utilisez pas un chenet et n'essayez pas de surélever le feu de quelque manière.
- Ne rangez pas de bois à l'intérieur des dégagements prescrits ou à l'intérieur de la zone nécessaire pour procéder au ravitaillement ou à l'enlèvement des cendres.
- Si équipé, le catalyseur doit être installé et en bon état de fonctionnement. Il est recommandé que le catalyseur est inspecté au moins 3 fois par saison de chauffage.

table de matières

FR

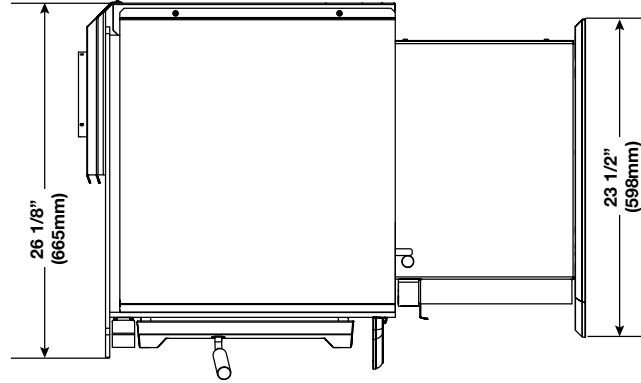
1.0	information générale	49	6.0	fonctionnement	71
1.1	dimensions	49	6.1	méthode de combustion optimale	72
1.2	spécifications	50	6.2	fonctionnement de soufflerie optionnelle	72
1.3	instructions générales	50	6.3	contrôle d'air	73
1.4	information générale	51	6.4	extincteurs et détecteurs de fumée / monoxyde de carbon	73
1.5	information à propos de la plaque d'homologation	52	6.5	combustible	74
2.0	planification d'installation	53	6.6	allumer un feu	74
2.1	emplacement de l'appareil	53	6.6.1	feu éclair	74
2.2	installation de plaque arrière de piédestal	53	6.6.2	feu continue	75
2.3	maison mobile (É.-U. seulement)	54	6.7	problèmes de fumée	75
2.4	dégagements minimum aux combustibles	55	7.0	entretien	76
2.6	protection de plancher	56	7.1	procédure d'enlèvement de cendres	76
2.7	air extérieur	56	7.1.1	enlèvement de cendres avec l'ensemble d'évacuation de cendres	76
3.0	installation	57	7.2	formation et enlèvement de créosote	77
3.1	cheminée	58	7.3	feu de cheminée ou feu hors contrôle	77
3.1.1	connexion de cheminée	59	7.4	nettoyage de cheminée	77
3.1.2	ajout les sections	60	7.5	remplacement de verre de porte	78
3.1.3	typique à travers un plafond	61	7.6	soins de verre	79
3.1.4	typique à travers un mur	62	7.7	remplacement de joint d'étanchéité de porte	79
3.1.5	typique dans cheminée de maçonnerie existante	63	7.8	bois	80
4.0	finitions	64	8.0	pièces de rechange	81
4.1	enlèvement de porte	64	8.1	vue d'ensemble partie 1	82
4.2	installation de poignée de porte	65	8.2	vue d'ensemble partie 2	83
4.3	installation de briques et déflecteur	66	9.0	accessoires	84
4.4	tuyaux d'air secondaire	67	10.0	guide de dépannage	85
4.5	installation / enlèvement de tablette à cendres	68	11.0	garantie	86
4.6	emplacement de logo	68	12.0	notes	87
5.0	installation optionnelle	69			
5.1	installation d'ensemble de soufflerie	69			
5.2	ensemble d'évacuation de cendres (ADS2530)	70			

note:

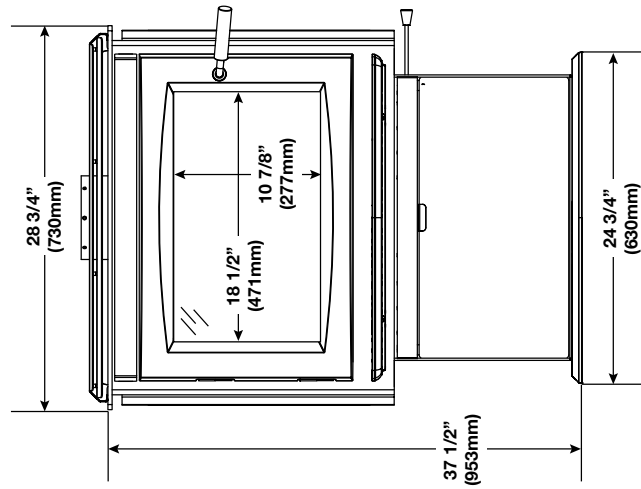
L'information contenue dans ce manuel est jugée correcte au moment de l'impression. Wolf Steel Ltée. se réserve le droit de modifier ou de modifier toute information dans ce manuel à tout moment sans préavis. Les modifications, autre que les éditoriaux, sont désignées par une ligne verticale dans la marge.

1.1 dimensions

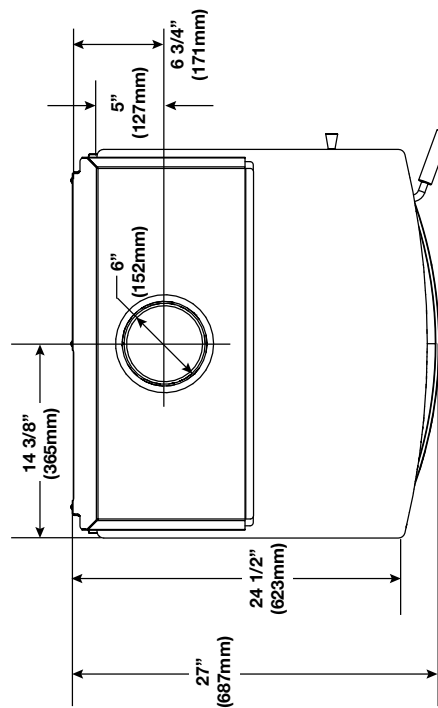
VUE DE CÔTÉ
DROITE



VUE DE FACE



VUE DE DESSUS



information générale

FR

1.2 spécifications

Spécifications			
Émissions	1,30 grams / heure		
Efficacité	Total	LHV	HHV
	71,56%	76,99%	71,56%
Chambre de combustion (P.H.L)	18" x 23 1/2" x 11" (457mm x 597mm x 279mm)		
Capacité	2,51 pieds cubes (0,07 mètres cubes)		
Dimensions de vision	200,6 po ² (1294,1cm ²)		
Surface chauffé approx.**	Jusqu'à 2 100 pi ² (195,1 m ²)		
Débit de chaleur maximale***	70 000 BTU /Hr		
Débit de chaleur*	19 195 - 54 057 BTU/Hr		
Durée combustion lente**	16,26 heures		
Poids sans briques	378,4 lbs (171,6kg)		
Poids des briques	48 lbs (21,7kg)		
Longueur idéale des bûches	Chargement avant-arrière	17" (432mm)	
	Chargement gauche-droite	23" (584mm)	
Hauteur de tas minimum****	15 pieds (4,5m)		
Norme d'efficacité	B415.1-10		

* Comme testé en utilisant la méthode de test ALT-125.

** Ces données peuvent varier considérablement selon les conditions particulières.

*** BTU/hr réalistes estimés par Wolf Steel Ltée. avec les bûches de bois dur et un ravitaillement normal.

**** Requis afin d'atteindre un bon tirage.

1.3 instructions générales

! AVERTISSEMENT

- Cet appareil doit être raccordé électriquement par un électricien qualifié conformément aux codes locaux. En l'absence de codes locaux, utilisez la version courante du Code Canadien de l'Électricité CSA C22.1 au Canada ou le National Electrical Code ANSI/NFPA 70 aux États-Unis.
- Faire fonctionner de votre appareil avec la chute à cendres ou la porte du tiroir à cendres ouverte ou entrouverte constitue un risque d'incendie qui peut causer des dommages internes à l'appareil, un incendie ou une feu de cheminée.
- Ne raccordez pas cet appareil au conduit d'une cheminée desservant un autre appareil. Ne raccordez à aucun autre conduit ou système de distribution d'air.
- Prévoyez un accès suffisant pour entretenir et opérer l'appareil.
- Assurez-vous d'une quantité d'air suffisante.
- N'obstruez jamais l'ouverture sur le devant de l'appareil.
- Les objets placés devant l'appareil doivent être gardés à une distance minimale de 48" (121,9cm) de la face avant de l'appareil.
- Lorsque l'appareil n'est pas correctement installé, un incendie peut survenir. Pour réduire les risques d'incendie, suivez les instructions d'installation. Contactez les responsables locaux du bâtiment ou des incendies pour connaître les restrictions et les exigences d'inspection d'installation dans votre région.
- **INSTALLATION DANS UNE MAISON MOBILE (É.-U. SEULEMENT):** N'installez pas dans une chambre à coucher. L'intégrité structurelle du plancher, des murs et du plafond / toit de la maison mobile doit être maintenue.

- Avant d'installer cet appareil, contactez les autorités locales en bâtiment ou le service des incendies et votre compagnie d'assurance afin de vous conformer à leurs directives.
- De la fumée non toxique émanera de l'appareil lors du processus de cuisson de la peinture. Ouvrez une fenêtre à proximité de l'appareil pour aider à dissiper la fumée.
- Enlevez la poussière ou les débris sur le dessus de l'appareil avant de l'allumer car la peinture ramollira pendant que l'appareil se réchauffe et durcira pendant le processus de cuisson. Pour cuire la peinture, faites brûler l'appareil à feu modéré durant les quelques premiers allumages.

- Pour empêcher le joint d'étanchéité de coller à l'appareil lors de la cuisson de la peinture, ouvrez la porte de l'appareil toutes les 5-10 minutes.
- Durant les deux premières semaines, faites brûler l'appareil avec beaucoup de bois et ouvrez le contrôle de combustion au maximum pendant une heure pour permettre à l'appareil d'éliminer toute humidité dans l'acier et les briques réfractaires. La production de chaleur initiale sera réduite alors que l'humidité est chassée de l'appareil. Il sera nécessaire de faire plusieurs feux chauds pour éliminer cette humidité. **LORS DE CE PROCESSUS, NE SURCHAUFFEZ PAS L'APPAREIL. RÉDUISEZ L'APPORT D'AIR À L'APPAREIL SI CELUI-CI OU LA CHEMINÉE DEVIENNENT ROUGEYANTS.**

1.4 information générale

AVERTISSEMENT

- N'utilisez pas cet appareil sans que le piédestal a été installé.

Cet appareil a été conçu sur plusieurs mois de recherches afin de répondre spécifiquement aux exigences des normes d'émission de particules de l'E.P.A Américaine de 2020 de bois de corde et ont subi un nombre considérable de tests dans des laboratoires Canadiens. Ce système est le plus efficace, le plus simple et sans problème connu; il fonctionne comme suit:

L'air secondaire pénètre par l'ouverture arrière, monte par l'arrière le long du tuyau d'air secondaire jusqu'au collecteur installé au sommet où l'air est propulsé latéralement pour oxyder les gaz sous la sortie de fumée.

La chambre de combustion inférieure est revêtue de briques réfractaires à haute température sur deux côtés, l'arrière et le plancher. Le plafond est revêtu de déflecteurs en fibre afin de maintenir une température élevée dans la chambre de combustion. Ainsi, les gaz qui se mélangent à l'air préchauffé dans le tuyau d'air secondaire s'allument et brûlent facilement. Les côtés et l'arrière de l'appareil sont revêtus pour diriger la chaleur vers le haut et vers l'avant dans la chambre.

Assurez-vous de fournir l'appareil avec l'air comburant suffisant. Il y a beaucoup d'autres appareils dans votre maison en compétition pour l'air tel que: une hotte de cuisine, un système de chauffage à l'air forcé, une sècheuse, ou un ventilateur extracteur d'air de salle de bain.

Après de longues périodes sans utiliser l'appareil, tels qu'à la suite de vacances ou à la fin de l'été, il se peut qu'une légère odeur se dégage pendant quelques heures. Ceci est causé par des particules de poussière brûlant sur la chambre de combustion. Ouvrez une fenêtre d'aérer la pièce de manière suffisante.

Si vous rencontrez quelques problèmes avec la fumée, vous devrez peut-être ouvrir une porte, une fenêtre, ou autrement fournir une méthode de fournir l'appareil avec l'air comburant.

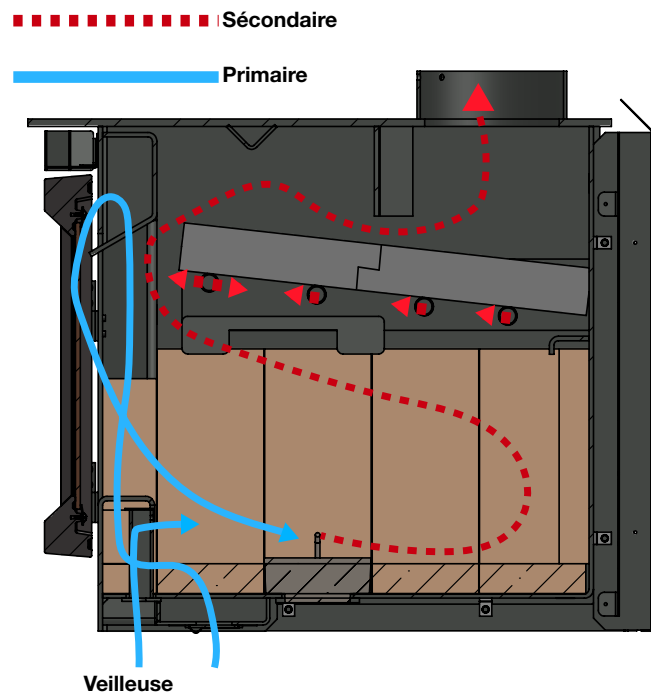
N'utilisez pas de compromis de fortune lors de l'installation. N'obstruez pas, entièrement ou partiellement, la grille et les ouvertures de l'appareil. N'ajoutez pas de hotte. Faire fonctionner cet appareil avec la porte ouverte ou entrouverte crée un risque d'incendie de cheminée ou du domicile.

Tous les raccordements d'évacuation doivent se conformer aux instructions d'installation du fabricant de la cheminée. Les dégagements mentionnés dans ce manuel correspondent aux exigences minimales.

Votre appareil doit être installé selon les codes du bâtiment locaux et nationaux et selon les normes des Cheminées et Foyers, Events et Appareils à combustion solide NFPA #211. Consultez l'autorité compétente (comme le service municipal du bâtiment, le service des incendies, le bureau de prévention des incendies, etc.) afin de déterminer si vous avez besoin d'un permis d'installation. Si vous avez des doutes au sujet de l'installation appropriée pour votre situation particulière, contactez votre détaillant ou l'autorité locale des incendies ou du bâtiment. Le fabricant ne garantit pas que cet appareil et ses composants optionnels pourront chauffer votre maison au complet.

Les bruits causés par l'expansion et la contraction lors des cycles de chauffage et de refroidissement sont tout à fait normaux et il faut s'y attendre.

Il est recommandé que dans tous les cas, y compris lors de l'utilisation d'un kit d'air extérieur, l'appareil soit fixé au sol.



Veilleuse



Nous suggérons que nos poêles à bois soient installés et entretenus par des professionnels certifiés aux États-Unis par le National Fireplace Institute® (NFI) et au Canada par le Wood Energy Technical Training (WETT).




information générale

FR 1.5 information à propos de la plaque d'homologation

Cette illustration est à titre de référence seulement. Consultez la plaque d'homologation pour obtenir l'information précis.

note:

La plaque d'homologation doit restée avec l'appareil à tout instant. Elle ne doit pas être enlevée.



LISTED SOLID FUEL BURNING SPACE HEATER / POËLE À COMBUSTIBLE SOLIDE HOMOLOGUÉE.
TESTED TO / TESTÉ SELON:
UL1482 - 2011 / ULC S627 - 00
MODEL / MODÈLE: S25 / T25

THIS WOOD HEATER NEEDS PERIODIC INSPECTION AND REPAIR FOR PROPER OPERATION. CONSULT THE OWNER'S MANUAL FOR FURTHER INFORMATION. IT IS AGAINST FEDERAL REGULATIONS TO OPERATE THIS WOOD HEATER IN A MANNER INCONSISTENT WITH THE OPERATING INSTRUCTIONS IN THE OWNER'S MANUAL. / CE POËLE À BOIS DOIT ÊTRE INSPECTÉ ET RÉPARÉ PÉRIODIQUEMENT POUR UN FONCTIONNEMENT CORRECT. CONSULTEZ LE MANUEL DU PROPRIÉTAIRE POUR PLUS D'INFORMATIONS. IL EST CONTRE LES RÉGLEMENTS FÉDÉRAUX POUR FAIRE FONCTIONNER CE POËLE À BOIS D'UNE MANIÈRE INCOMPATIBLE AVEC LES INSTRUCTIONS DE FONCTIONNEMENT DANS LE MANUEL DU PROPRIÉTAIRE. INSTALL AND USE ONLY IN ACCORDANCE WITH WOLF STEEL LTD.'S INSTRUCTIONS. CONTACT LOCAL BUILDING OR FIRE OFFICIALS ABOUT RESTRICTIONS AND INSTALLATION INSPECTION IN YOUR AREA. MINIMUM CEILING HEIGHT: 7'7" (2,30M) USING A SINGLE WALL CONNECTOR.

HEARTH EXTENSION / COMBUSTIBLE FLOOR PROTECTION: MUST BE NON-COMBUSTIBLE AND EXTEND 18" (455MM) IN CANADA / 18" (406mm) IN THE USA IN FRONT OF THE INSERT AND 2" (50.8MM) ON BOTH SIDES WITH A THERMAL CONDUCTIVITY FACTOR OF (K) 0.84.

CHIMNEY TYPE: MINIMUM 6" (152MM) DIAMETER LISTED (UL, 103H) RESIDENTIAL CHIMNEY.

CHIMNEY CONNECTOR: 6" (152MM) DIAMETER MINIMUM 24 GAUGE STEEL. MINIMUM CLEARANCE FROM HORIZONTAL CONNECTOR AND CEILING 18" (455MM). DO NOT OBSTRUCT SPACE UNDER HEATER. SPECIAL METHODS ARE REQUIRED WHEN PASSING A CHIMNEY THROUGH A WALL OR CEILING. SEE INSTRUCTIONS AND BUILDING CODES. DO NOT CONNECT THIS UNIT TO A CHIMNEY FLUE SERVING ANOTHER APPLIANCE.

WARNING: FOR USE WITH SOLID WOOD FUEL ONLY. DO NOT BURN ANY OTHER TYPE OF FUEL. DO NOT USE GRATE OR ELEVATE FIRE. BUILD WOOD FIRE DIRECTLY ON HEARTH.

WARNING: RISK OF SMOKE SPILLAGE. OPERATE ONLY WITH DOOR FULLY CLOSED. REPLACE GLASS ONLY WITH 5MM CLEARING GLASS.

DANGER: RISK OF ELECTRICAL SHOCK. DISCONNECT POWER BEFORE SERVICING UNIT.

SUITABLE FOR MOBILE HOMES IN THE USA ONLY.

POUR INSTALLATION ET UTILISATION CONFORMÉMENT AUX INSTRUCTIONS DE WOLF STEEL LTDÉ, RENSEIGNEZ-VOUS ALORS DES AUTORITÉS LOCALES DU BÂTIMENT OU DU SERVICE DES INCENDIES AU SUIVET DES RESTRICTIONS ET DES INSPECTIONS D'INSTALLATION DANS VOTRE RÉGION.

HAUTEUR DE PLAFOND MINIMUM: 2'3" (686MM) EN UTILISANT UN TUYAU DE RACCORDEMENT À PAROI SIMPLE.

BASE DE PROTECTION / PROTECTION DU PLANCHER COMBUSTIBLE: DOIT ÊTRE DE NATURE NON-COMBUSTIBLE ET SE PROLONGER DE 18" (406MM) AUX ÉTATS / 18" (407MM) AU CANADA À L'AVANT DE L'ENCASTRE ET 2" (50.8MM) SUR LES CÔTÉS AVEC UN FACTEUR DE CONDUCTIVITÉ THERMIQUE DE (K) 0,84.

TYPE DE CHIMÈNEE: CHIMÈNEE RÉSIDENTIELLE DE 6" DE DIAMÈTRE (152MM) HOMOLOGUÉE (UL 103H).

RACCORDEMENT DE CHIMÈNEE: DIAMÈTRE DE 6" (152MM) D'UN CÂBLE DE CALIBRE 24 MINIMUM. 18" (455MM) DE DÉGAGEMENT MINIMAL ENTRE LE RACCORDEMENT HORIZONTAL ET LE PLAFOND.

NE RIEN ENTREPOSER SOUS LE CHAUFFAGE. DES MÉTHODES SPÉCIALES SONT REQUISES LORSQUE UNE CHIMÈNEE TRAVERSE UN MUR OU UN PLAFOND. VOYEZ LES INSTRUCTIONS ET LES CODES DU BÂTIMENT NE PAS RACCORDER LA CHIMÈNEE D'UN AUTRE APPAREIL.

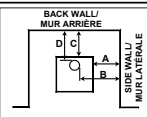
AVERTISSEMENT: POUR USAGE AVEC LE BOIS SEULEMENT. NE BRÛLEZ PAS AUCUN AUTRE TYPE DE COMBUSTIBLE. N'UTILISEZ PAS DE CHÈNET OU NE SURÉLEVEZ PAS LE BOIS. PRÉPAREZ LE FEU DIRECTEMENT SUR LA TÊTE.

AVERTISSEMENT: RISQUE DE DÉCHAPPEMENT DE FLAMME. TENIR LA PORTE FERMÉE LORSQUE LE POËLE FONCTIONNE. REMPLACEZ LA VITRE PAR UNE VITRE EN CÉRAMIQUE SANS SÈLLEMENT. NE SURCHAUFFEZ PAS L'APPAREIL. SI L'APPAREIL OU LES RACCORDS ROUGEONT, L'APPAREIL SURCHAUFFÉE, INSPECTEZ ET NETTOYEZ LA CHIMÈNEE FRÉQUEMMENT. DANS CERTAINES CONDITIONS, DES DÉPÔTS DE CRÉOSOTES PEUVENT SE FORMER RAPIDEMENT.

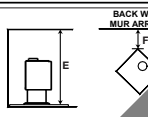
SOULÈVEMENT OPTIONNEL: NÉP70 (S25) / EP770 (T25), 115V, 60HZ, 0,5A. TENEZ LE CORDON ÉLECTRIQUE LOIN DE L'APPAREIL.

DANGER: RISQUE DE SECOURS ÉLECTRIQUE. DÉBRANCHEZ AVANT DE PROCÉDER À L'ENTRETIEN.

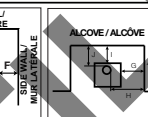
ADAPTE AUX MAISONS MOBILES: **AUX ÉTATS-UNIS UNIQUEMENT.**



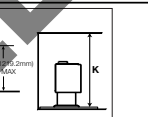
BACK WALL / MUR ARRIÈRE



SIDE WALL / MUR LATÉRALE



BACK WALL / MUR ARRIÈRE



ALCOVE / ALCOVE

CONFIGURATION	SIDE WALL / MUR DE CÔTÉ (A)	SIDE WALL TO FLUE / MUR DE CÔTÉ À BUSE (B)	BACK WALL / MUR ARRIÈRE (C)	BACK WALL TO FLUE / MUR ARRIÈRE À BUSE (D)	CEILING / PLAFOND (E)
	STRAIGHT with double wall pipe / ÉPLOT avec tuyau de raccordement à paroi double	16 1/4" (41.2cm)	27 1/2" (69.8cm)	14 1/2" (36.8cm)	18 1/4" (46.3cm)
STRAIGHT with single wall pipe / ÉPLOT avec tuyau de raccordement à paroi simple	16 1/4" (41.2cm)	27 1/2" (69.8cm)	14 1/2" (36.8cm)	18 1/4" (46.3cm)	96" (243.8cm)
Through the wall with double wall pipe / À travers le mur avec tuyau de raccordement à paroi double	16 1/4" (41.2cm)	27 1/2" (69.8cm)	14 1/2" (36.8cm)	18 1/4" (46.3cm)	96" (243.8cm)
Through the wall with single wall pipe / À travers le mur avec tuyau de raccordement à paroi simple	16 1/4" (41.2cm)	27 1/2" (69.8cm)	14 1/2" (36.8cm)	18 1/4" (46.3cm)	96" (243.8cm)
Through the wall with double wall pipe / À travers le mur avec tuyau de raccordement à paroi double	16 1/4" (41.2cm)	27 1/2" (69.8cm)	14 1/2" (36.8cm)	18 1/4" (46.3cm)	96" (243.8cm)
Through the wall with single wall pipe / À travers le mur avec tuyau de raccordement à paroi simple	16 1/4" (41.2cm)	27 1/2" (69.8cm)	14 1/2" (36.8cm)	18 1/4" (46.3cm)	96" (243.8cm)

* The top heat shield (T.H.S.) may be removed if desired; however, this will increase clearances to combustibles. Please read the table carefully. / Le bouclier thermique supérieur (B.T.S.) peut être retiré si on le désire; cependant, cela augmentera les dégagements aux combustibles. Veuillez lire attentivement le tableau.

Clearances can be reduced with shielding acceptable to local authorities. Reduced installation must comply with NFPA 211 or CAN/CSA-S365. / Il est possible de réduire les dégagements à l'aide d'un protecteur conforme aux normes des autorités locales. Une installation réduite doit être conforme aux normes NFPA 211 ou au CAN/CSA S365.

CONFIGURATION	SIDE WALL / MUR DE CÔTÉ (A)	SIDE WALL TO FLUE / MUR DE CÔTÉ À BUSE (B)	BACK WALL / MUR ARRIÈRE (C)	BACK WALL TO FLUE / MUR ARRIÈRE À BUSE (D)	CEILING / PLAFOND (E)
	Corner / Coin (F)	14 1/4" (36.1cm)	16 1/4" (41.3cm)	10 1/4" (26.4cm)	18 1/4" (46.3cm)
Corner / Coin (F)	16 1/4" (41.3cm)	16 1/4" (41.3cm)	10 1/4" (26.4cm)	18 1/4" (46.3cm)	96" (243.8cm)


ALCOVE CONFIGURATION / CONFIGURATION ALCOVE	SIDE WALL / MUR DE CÔTÉ (A)	SIDE WALL TO FLUE / MUR DE CÔTÉ À BUSE (B)	BACK WALL / MUR ARRIÈRE (C)	BACK WALL TO FLUE / MUR ARRIÈRE À BUSE (D)	CEILING / PLAFOND (E)
	Double wall pipe / Tuyau de raccordement à paroi double	16 1/4" (41.2cm)	27 1/2" (69.8cm)	14 1/2" (36.8cm)	18 1/4" (46.3cm)
Single wall pipe / Tuyau de raccordement à paroi simple	16 1/4" (41.2cm)	27 1/2" (69.8cm)	14 1/2" (36.8cm)	18 1/4" (46.3cm)	96" (243.8cm)
Double wall pipe / Tuyau de raccordement à paroi double	16 1/4" (41.2cm)	27 1/2" (69.8cm)	14 1/2" (36.8cm)	18 1/4" (46.3cm)	96" (243.8cm)
Single wall pipe / Tuyau de raccordement à paroi simple	16 1/4" (41.2cm)	27 1/2" (69.8cm)	14 1/2" (36.8cm)	18 1/4" (46.3cm)	96" (243.8cm)

MINIMUM FLOOR PROTECTION / PROTECTION MINIMALE DE PLANCHER	FRONT / AVANT (M)	SIDES / CÔTÉS (N)	BACK / ARRIÈRE (O)
	CANADA	18" (45.7cm)	8" (203mm)
USA / E.-U.	18" (45.7cm)	8" (203mm)	8" (203mm)

MANUFACTURE DATE: / DATE DE FABRICATION:

YEAR/ANNÉE: 2020 2021 2022 2023 2024 2025

MONTH/MOIS: 1 2 3 4 5 6 7 8 9 10 11 12



WOLF STEEL LTD.
 24 NAPOLEON ROAD, BARRIE, ON
 L4M 0G8 CANADA

WOLF STEEL USA
 103 MILLER DRIVE, CRITTENDEN, KY
 401030 USA

CAUTION:
ATTENTION:

HOT WHILE IN OPERATION. DO NOT TOUCH. KEEP CHILDREN, CLOTHING AND FURNITURE AWAY. CONTACT MAY CAUSE SKIN BURNS. SEE NAMEPLATE AND INSTRUCTIONS.

QUAND L'APPAREIL FONCTIONNE, LA SURFACE DEVIENT CHAUDE. NE PAS TOUCHER. TENIR LES ENFANTS, LES VÊTEMENTS ET LES MEUBLES À L'ÉCART. LE CONTACT PEUT CAUSER DES BRÛLURES À LA PEAU. VOIR LA PLAQUE D'HOMOLOGATION ET LES INSTRUCTIONS.

U.S. ENVIRONMENTAL PROTECTION AGENCY Certified to comply with 2020 particulate emission standards using cordwood. Certifié conforme à la norme d'émission de particules de 2020 en utilisant bois de corde. 40 CFR Part 60, Subpart AAA 1.30 Grams Per Hour / 2020 Cordwood / 1,30 Grammes par heure / Bois de Corde 2020. Efficiency / Efficacité: 76.99% LHV / 71.56% HHV.

NAC GUANGZHOU P.R.C.
 NO.69 HEFENG ROAD, GUANGZHOU, CHINA

S25 / T25 W385-4544

2.1 emplacement de l'appareil

Nous vous recommandons de faire installer votre appareil au bois Napoléon par un technicien qualifié. Cependant, si vous choisissez d'installer l'appareil vous-même, il est extrêmement important de suivre tous les instructions d'installation de l'appareil, de la cheminée et du raccordement, s'il y a lieu, ainsi que les codes du bâtiment locaux. Dessinez au moins un plan détaillé de votre installation, en incluant les mesures de dégagement aux matériaux combustibles, et demandez à votre détaillant autorisé de la passer en revue pour confirmer qu'il conforme aux paramètres d'installation du produit.

note:

Lors de la mise en place de l'appareil, il peut être nécessaire d'ajuster sa position pour éviter que la cheminée ou le système d'évacuation croise un élément d'ossature et pour respecter les exigences minimales de dégagement aux matériaux combustibles. Son emplacement devrait également éviter que les rideaux ou les portes qui ouvrent à moins de 48 po (122cm) du devant l'appareil afin d'éviter tout risque d'incendie.

2.2 installation de plaque arrière de piédestal

1. Placez la plaque arrière en position, en assurant que les trous dans la plaque arrière sont alignés avec les trous dans l'appareil (**Fig. 2-1**).
2. Installez quatre vis (fournies) pour fixer la plaque arrière en position (**Fig. 2-2**).

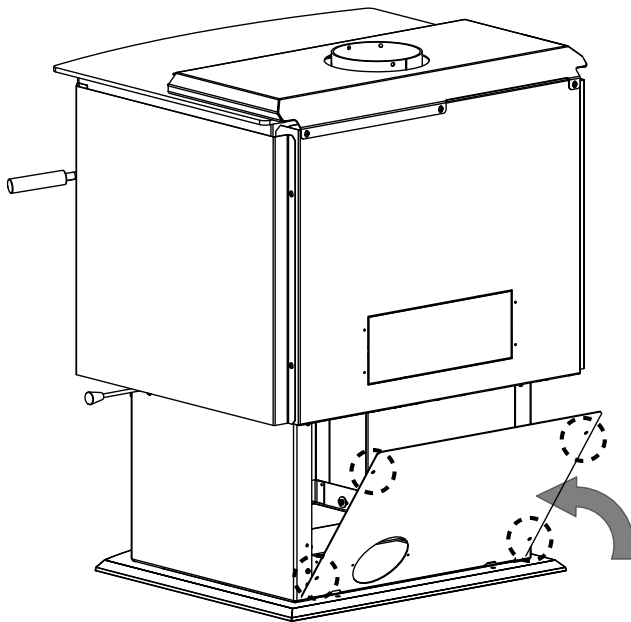


Fig. 2-1

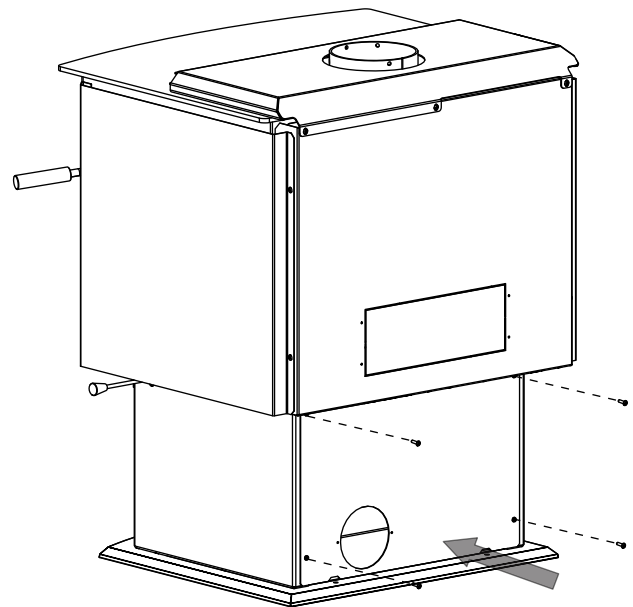


Fig. 2-2

planification d'installation

2.3 maison mobile (É.-U. seulement)

CET APPAREIL EST APPROUVÉ POUR INSTALLATION DANS LES MAISONS MOBILES DANS LES ÉTATS-UNIS SEULEMENT.

! AVERTISSEMENT

- N'installez pas dans une chambre à coucher.
- L'intégrité structurelle du plancher, des murs et du plafond / toit de la maison mobile doit être maintenue.
- L'appareil doit être alimenté en air de combustion extérieur.
- L'appareil doit être boulonné au sol.
- Installez selon 24 CFR, partie 3280 (HUD).
- Utilisez une cheminée certifiée pour le chauffage au bois UL 103 S629, type HT (2100 ° F).
- Une cheminée doit être conforme à la norme pour les cheminées préfabriquées pour les appareils de chauffage de type résidentiel et de bâtiment, UL 103.
- La cheminée doit être fixée directement à l'appareil de chauffage de la pièce et doit dépasser d'au moins 3 pieds (0,9 m) au-dessus de la partie du toit à travers laquelle passe. Le haut de la cheminée doit être à au moins 2 pieds (0,6 m) au-dessus de l'élévation la plus élevée requise de toute partie de la maison mobile à moins de 10 pieds (3 m) de la cheminée.
- Toutes les terminaisons de toit-cheminée doivent pouvoir être facilement enlevées à ou en dessous d'une élévation de 13 1/2 pieds (4,1 m) au-dessus du niveau du sol et réinstallées sans l'utilisation d'outils ou d'instructions spéciaux. L'ensemble de cheminée doit être doté d'un moyen mécanique pour fixer la cheminée à la boîte de support du plafond.
- Lorsque la cheminée sort de la maison mobile à un endroit autre que par le toit et sort à un point à 7 pieds (2,1 m) ou moins au-dessus du niveau du sol sur lequel la maison mobile est positionnée, un garde ou une méthode pour fermer la cheminée doit être fourni au point de sortie pour une hauteur maximale de 7 pieds (2,1 m). Les ouvertures d'un garde-cheminée ne doivent pas permettre l'entrée d'une tige de 3/4 po (19,1 mm) de diamètre et / ou le contact avec la cheminée par une tige de 1/2 po (12,7 mm) de diamètre insérée à travers l'ouverture sur une distance de 4 po (102 mm).
- La cheminée doit être munie d'un pare-étincelles fixé à la cheminée. La surface libre nette du parafoudre au-dessus de la sortie de cheminée ne doit pas être inférieure à quatre fois la surface nette de la sortie de cheminée et la hauteur verticale du parafoudre au-dessus de la sortie de cheminée ne doit pas être inférieure à la moitié du diamètre de la cheminée cheminée. Les ouvertures ne doivent pas permettre le passage d'une sphère d'un diamètre supérieur à 1/2 po (12,7 mm) et doivent permettre le passage d'une sphère d'un diamètre de 3/8 po (9,6 mm).

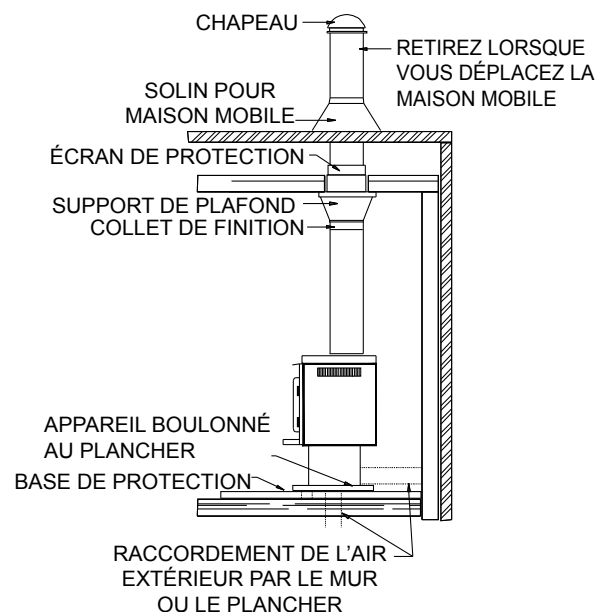
note:

Tous les appareils homologués pour la maison mobile doivent être fixés au sol de la maison mobile.

Pour les dégagements spécifiques, voir la section « dégagements minimum aux combustibles ».

L'appareil doit être installé entre les solives de plafond, avec un écran anti-rayonnement et un solin de toit, afin que la résistance structurelle, l'isolation et les qualités d'étanchéité de la maison ne soient pas diminuées. Sceller avec du silicone pour maintenir un pare-vapeur au niveau des pénétrations de cheminée et des tuyaux d'air extérieur.

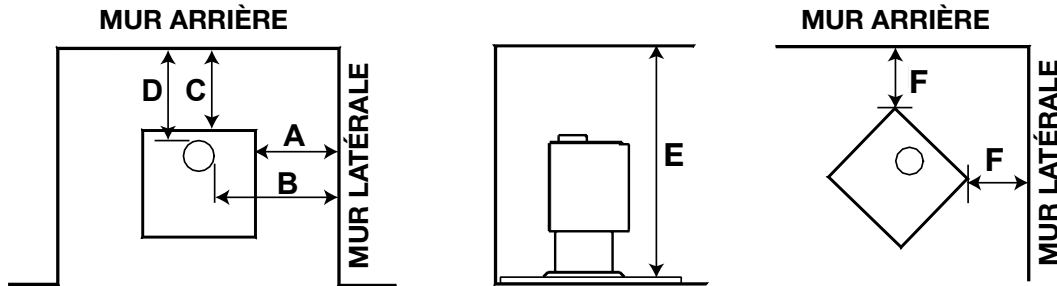
Ce modèle est équipé de trous pour que l'appareil puisse être boulonné solidement au sol.



2.4 dégagements minimum aux combustibles

! AVERTISSEMENT

- N'installez pas dans une espace ayant moins de 7 pieds (2,1m) (du plafond au bas de l'appareil, excluant la hauteur de la base de protection).



CONFIGURATION		MUR LATÉRALE (A)	MUR LATÉRALE À BUSE (B)	MUR ARRIÈRE (C)	MUR ARRIÈRE À BUSE (D)	PLAFOND (E)
Avec B.T.S.	Droite avec tuyau de raccordement à paroi simple	16 1/4" (41,2cm)	27 1/2" (69,8cm)	9 1/2" (24,1cm)	11" (27,9cm)	84" (213,3cm)
	Droite avec tuyau de raccordement à paroi double			6 1/2" (16,5cm)	7 1/2" (19cm)	
	À travers le mur avec tuyau de raccordement à paroi simple			9 1/2" (24,1cm)	11" (27,9cm)	
	À travers le mur avec tuyau de raccordement à paroi double			6 1/2" (16,5cm)	7 1/2" (19cm)	
Sans B.T.S.	Droite avec tuyau de raccordement à paroi simple *	16 1/4" (41,2cm)	27 1/2" (69,8cm)	14 1/2" (36,8cm)	16" (40,6cm)	96" (243,8cm)
	Droite avec tuyau de raccordement à paroi double *			12 1/2" (31,7cm)	13 1/2" (34,2cm)	
	À travers le mur avec tuyau de raccordement à paroi simple *			14 1/2" (36,8cm)	16" (40,6cm)	
	À travers le mur avec tuyau de raccordement à paroi double *			12 1/2" (31,7cm)	13 1/2" (34,2cm)	
CONFIGURATION		MUR LATÉRALE	MUR LATÉRALE À BUSE	MUR ARRIÈRE	MUR ARRIÈRE À BUSE	PLAFOND
Avec B.T.S.	Coin (F)	4" (10,1cm)	14 1/4" (36,1cm)	4" (10,1cm)	14 1/4" (36,1cm)	84" (213,3cm)
Sans B.T.S.	Coin (F) *	6" (15,2cm)	16 1/4" (41,3cm)	6" (15,2cm)	16 1/4" (41,2cm)	96" (243,8cm)

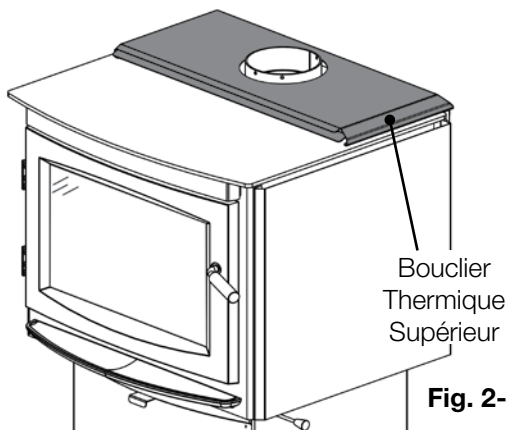


Fig. 2-3

* Le bouclier thermique supérieur (B.T.S) peut être retiré si on le désire (**Fig. 2-3**); cependant, cela augmentera les dégagements aux combustibles. **Veillez lire attentivement le tableau.**

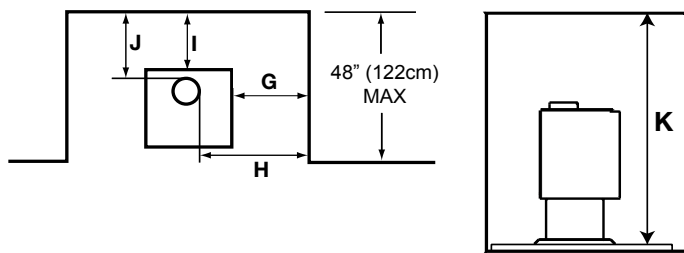
Il est possible de réduire les dégagements à l'aide d'un protecteur conforme aux normes des autorités locales. Une installation réduite doit être conforme aux normes NFPA 211 ou au CAN/CSA B365.

planification d'installation

FR

2.5 installation dans alcôve

Votre appareil doit être installé à l'aide d'un conduit de raccordement à double paroi certifié (tel que Security DL6 en Canada, le Simpson Duravent Plus DVL en États-Unis, ou un conduit de raccordement à double paroi équivalent) dans une alcôve d'une profondeur ne dépassant pas 4 pieds (1,2m) et d'une hauteur d'au moins 6'3" (1,8m x 76mm). Les dégagements minimaux sont tels qu'illustré.



CONFIGURATION		MUR LATÉRALE (G)	MUR LATÉRALE À BUSE (H)	MUR ARRIÈRE (I)	MUR ARRIÈRE À BUSE (J)	PLAFOND (K)
Avec B.T.S.	Tuyau de raccordement à paroi simple	16 1/4" (41,2cm)	27 1/2" (69,8cm)	9 1/2" (24,1cm)	11" (27,9cm)	84" (213,3cm)
	Tuyau de raccordement à paroi double			6 1/2" (16,5cm)	7 1/2" (19cm)	
Sans B.T.S.	Tuyau de raccordement à paroi simple *	16 1/4" (41,2cm)	27 1/2" (69,8cm)	14 1/2" (36,8cm)	16" (40,6cm)	96" (243,8cm)
	Tuyau de raccordement à paroi double *			12 1/2" (31,7cm)	13 1/2" (34,2cm)	

* Le bouclier thermique supérieur (B.T.S) peut être retiré si on le desire (**Fig. 2-3, page précédente**); cependant, cela augmentera les dégagements aux combustibles. **Veillez lire attentivement le tableau.**

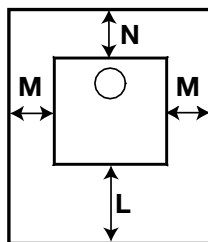
2.6 protection de plancher

Si l'appareil est installé sur un plancher combustible, il doit être placé sur un protecteur de plancher incombustible approuvé qui se prolonge 8" (203mm) au-delà des côtés et l'arrière de l'appareil, et 18" (45,7cm) en Canada / 16" (40,6cm) en États-Unis à l'avant. Le dégagement réduit de l'arrière de l'appareil peut en résulter dans le protecteur de plancher de l'appareil se terminant plus court que 8" (203mm) au-delà de l'appareil.

note:

Une protection de plancher est requise pour protéger des étincelles et de la cendre, mais non pour régulariser la température du plancher exposé à chaleur rayonnante de l'appareil. Cet appareil a été conçu et testé de sorte que le plancher ne surchauffera pas même sans protection.

Référez-vous aux codes du bâtiment locaux pour les matériaux de protection de plancher adéquats.



PROTECTION MINIMALE DE PLANCHER			
	AVANT (L)	CÔTÉS (M)	ARRIÈRE (N)
CANADA	18" (45,7cm)	8" (203mm)	8" (203mm)
É.-U.	16" (40,6cm)		

note:

Si une section de conduit de raccordement horizontale est utilisée, la protection de plancher doit se prolonger sous le conduit de raccordement et 2" (51mm) au-delà de chaque côté.

2.7 air extérieur

Les conditions suivantes indiquent que l'air pourrait être nécessaire pour la fonctionnement de l'appareil:

- Lorsque l'appareil fonctionne, le bois brûle mal, de la fumée s'échappe, des refoulement se produisent, et le tirage est irrégulier.
- En hiver, les fenêtres présentent une condensation excessive.
- Les conditions mentionnées ci-dessus s'améliorent en ouvrant une fenêtre lors d'une fournée sans vent.
- Un système de ventilation est installé dans la maison.
- Des autres appareils sont présent qui évacuent l'air de la maison.
- Les fenêtres de la maison sont étanches et/ou la maison est bien scellée avec un pare-vapeur.

Les systèmes HRV sont conçus pour amener l'air frais dans votre maison et résoudront les problèmes de performance liés à votre appareil. Si l'air de l'extérieur est amené directement à l'appareil, un registre qui permet une fermeture de 100% doit être utilisée (non fournie). L'entrée d'air doit empêcher le matériel de tomber dans l'entrée et aussi empêcher les rongeurs d'entrer de l'extérieur (un treillis avec les ouvertures pas supérieures que 1/4" par 1/4" [6,4mm x 6,4mm] est suffisant).

AVERTISSEMENT

- Portez des gants, chaussures et des lunettes de protection.
- Suivez attentivement les instructions pour l'assemblage de la cheminée et des autres composants nécessaires à l'installation de l'appareil. Toute omission pourrait causer un incendie, particulièrement si des matériaux combustibles sont trop près de l'appareil ou de la cheminée et que des ouvertures d'air sont bloquées, empêchant la libre circulation de l'air de refroidissement.
- N'installez pas la prise d'air extérieur dans le garage. Les produits d'échappement provenant des moteurs à essence sont dangereux. N'installez pas la prise d'air extérieur dans un grenier, un sous-sol ou au-dessus du toit où d'autres appareils de chauffage, des ventilateurs et des cheminées évacuent ou tirent de l'air. Ces mesures réduiront les possibilités de refoulement du fumée ou une inversion du débit d'air. L'entrée de la prise d'air doit demeurer dégagée de feuilles, de débris, de glave ou de neige. Elle doit être dégagée lorsque l'appareil fonctionne afin que la pièce ne soit pas privée d'air, ce qui peut causer des refoulements de fumée ou une incapacité à maintenir un feu. Les refoulements de fumée peuvent aussi déclencher les détecteurs de fumée.
- Une pression négative dans la maison pourrait nuire au rendement de l'appareil.
- Afin d'éviter tout contact avec de l'isolant qui s'affaisse, l'appareil ne doit pas être installé contre un coupe-vapeur ou de l'isolant à découvert. Une surchauffe localisée peut survenir et un incendie pourrait s'ensuivre.
- N'utilisez pas de compromis de fortune lors de l'installation. N'obstruez pas, entièrement ni partiellement, les ouvertures d'air, les grilles ou les persiennes. N'ajoutez pas de hotte.
- Pour prévenir des blessures, gardez vos outils à main en bon état, affutez les tranchants et assurez-vous que les manches sont solides. En tout temps, conservez l'espace vide minimal requis à l'enceinte afin de prévenir les incendies.
- Vérifiez avec les responsables de la construction locale pour les permis requis pour l'installation de cet appareil et notifié votre compagnie d'assurance avant de procéder.

AVERTISSEMENT

- Ne jamais installez un conduit de raccordement à paroi simple dans une enceinte. Les températures plus élevées de ce conduit peuvent irradier suffisamment de chaleur aux matériaux combustibles pour causer un incendie.
- Ne raccordez pas le système d'évacuation de l'appareil à tout autre système d'évacuation servant un autre appareil.
- Pour éviter le risque d'incendie, vous devez suivre tous les instructions à la lettre, y compris les dégagements entre le système de conduits d'évacuation et l'enceinte. Afin de protéger les pièces exposées aux intempéries contre la corrosion, nous conseillons que le dessus de l'enceinte soit peinturé avec un peinture antirouille.
- Ne remplissez aucun espace charpenté autour du conduit avec de l'isolant ou tout autre matériaux. L'isolant posé dans cet espace pourrait causer les matériaux combustibles avoisinants à surchauffer.
- Conservez un dégagement minimale de 2" (51mm) à toutes les pièces du système de conduits en tout temps. Omettre de conserver ce dégagement de 2" (51mm) causera un incendie. Ne remplissez cet espace avec aucun type de matériau.
- Des instructions détaillées sur l'installation de dessus de l'enceinte, du collet de solin et du chapeur sont incluses avec ces pièces.
- Ne coupez pas de chevrons ni de solives de plafond sans avoir consulté au préalable les autorités en bâtiment pour vous assurer que l'intégrité de la structure n'est pas compromise.
- Les espaceurs coupe-feu doivent être utilisés lorsque le système de conduits traverse un plafond/plancher.
- La longueur totale de la course horizontale ne devrait pas excéder 40% de la hauteur de la cheminée à partir du dessus de l'appareil. Toutes les courses horizontales doivent avoir une pente minimale vers le haut de 1/4" par pied (7mm par 305mm) et tous les raccordements non isolé ne doit pas passer dans un grenier, un entretoit, un placard ou autre endroit fermé similaire, ou traverser un plancher, un plafond, un mur ou une cloison, ou tout autre construction combustible.
- Cet appareil doit être raccordé à une cheminée de maçonnerie approuvée par le code avec un conduit de cheminée.
- N'utilisez aucun matériau de fortune durant l'installation.
- Une cheminée doit être conforme à la norme pour les cheminées préfabriquées pour les appareils de chauffage de type résidentiel et de bâtiment, UL 103.
- La cheminée doit être fixée directement à l'appareil de chauffage de la pièce et doit dépasser d'au moins 3 pieds (0,9 m) au-dessus de la partie du toit à travers laquelle passe. Le haut de la cheminée doit être à au moins 2 pieds (0,6 m) au-dessus de l'élévation la plus élevée requise de toute partie de la maison mobile à moins de 10 pieds (3 m) de la cheminée.
- Toutes les terminaisons de toit-cheminée doivent pouvoir être facilement enlevées à ou en dessous d'une élévation de 13 1/2 pieds (4,1 m) au-dessus du niveau du sol et réinstallées sans l'utilisation d'outils ou d'instructions spéciaux. L'ensemble de cheminée doit être doté d'un moyen mécanique pour fixer la cheminée à la boîte de support du plafond.
- Lorsque la cheminée sort de la maison mobile à un endroit autre que par le toit et sort à un point à 7 pieds (2,1 m) ou moins au-dessus du niveau du sol sur lequel la maison mobile est positionnée, un garde ou une méthode pour fermer la cheminée doit être fourni au point de sortie pour une hauteur maximale de 7 pieds (2,1 m). Les ouvertures d'un garde-cheminée ne doivent pas permettre l'entrée d'une tige de 3/4 po (19,1 mm) de diamètre et / ou le contact avec la cheminée par une tige de 1/2 po (12,7 mm) de diamètre insérée à travers l'ouverture sur une distance de 4 po (102 mm).
- La cheminée doit être munie d'un pare-étincelles fixé à la cheminée. La surface libre nette du parafoudre au-dessus de la sortie de cheminée ne doit pas être inférieure à quatre fois la surface nette de la sortie de cheminée et la hauteur verticale du parafoudre au-dessus de la sortie de cheminée ne doit pas être inférieure à la moitié du diamètre de la cheminée cheminée. Les ouvertures ne doivent pas permettre le passage d'une sphère d'un diamètre supérieur à 1/2 po (12,7 mm) et doivent permettre le passage d'une sphère d'un diamètre de 3/8 po (9,6 mm).

Votre appareil peut être raccordé à une cheminée de maçonnerie ou préfabriquée. Si vous utilisez une cheminée préfabriquée, elle doit se conformer aux normes ULCS629 (Canada) ou UL103 (É.-U.). Elle doit donc être de type 6" (152mm) HT (2100°F) de cheminée. Il est extrêmement important qu'elle soit installée selon les spécifications du fabricant. Les directives d'installation du fabricant et les dégagements spécifiés doivent toujours être respectés en fonction des normes locales et nationales. Conformez-vous aux codes d'installation CSA B365 et CSA C22.1 au Canada et aux codes ANSI NFPA 70 et ANSI NFPA 211 en États-Unis.

La cheminée et le conduit de raccordement doivent être gardés en bonne condition et propres.

3.1.1 connexion de cheminée

Votre conduit de raccordement et votre cheminée doivent avoir le même diamètre que le tuyau d'échappement de l'appareil. Le tuyau de l'appareil doit être en acier aluminé ou en acier laminé à froid d'une épaisseur minimale de calibre 24 (0,6mm). Il est strictement interdit d'utiliser de l'acier galvanisé.

Un conduit de raccordement à paroi simple de 6" (152,4mm) de diamètre, servant à raccorder l'appareil à la cheminée, doit être installé avec l'extrémité gaufrée dans le buse de l'appareil. Ceci permettra à la condensation qui se forme dans le conduit de raccordement de l'appareil de s'écouler dans la chambre de combustion. Chaque joint du conduit de raccordement doit être fixé à l'aide d'au moins trois vis autoperceuses, également espacées autour de la circonférence.

Les recommandations suivantes pourraient être utiles pour l'installation du conduit de raccordement:

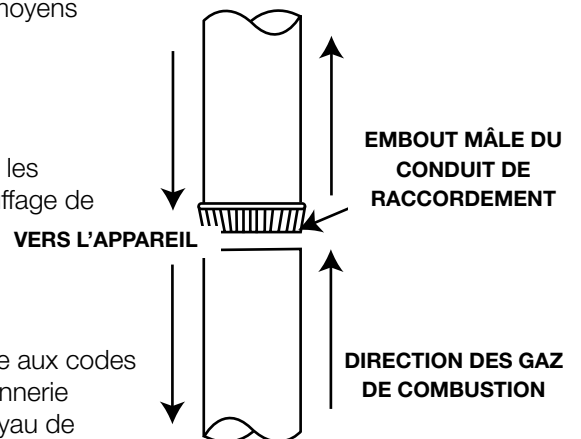
- Le tuyau doit être court et droit. Pour une performance optimale, toutes les courses horizontales devraient avoir une élévation minimale de 1/4" (6mm) par pied (0,3m) et l'extrémité supérieure de la section devrait être dirigée vers la cheminée. Afin d'assurer un fonctionnement sécuritaire et adéquat de l'appareil, voir la section « installation ».
- Pour assurer un bon tirage, longueur totale de la course horizontale ne devrait pas excéder 8' (2,4m) à 10' (3,1m). Dans le cas d'installation verticale, longueur totale du conduit, il peut être plus long et connecté sans problème à la cheminée au niveau du plafond.
- Un système de conduit ne devrait jamais avoir plus que deux coudes de 90° et ne devrait jamais commencer avec un coude de 90°. Avant d'utiliser un coude de 90°, installez une section verticale d'au moins deux pieds (0,6m) à partir de la buse.
- Le conduit ne doit pas passer dans un matériel combustible ou un espace fermé (tels un grenier, un entretoir, ou un placard). S'il passe à travers un mur, un plafond, ou dans une cheminée de maçonnerie, utilisez soit des composants de cheminée conçus pour cet usage, ou des moyens acceptables de l'autorité compétente locale.

Cet appareil doit être raccordé à:

- A. Une cheminée qui se conforme aux exigences des normes pour les cheminées, les préfabriqués, type résidentiel et l'appareil de chauffage de construction

OU

- B. Une cheminée en maçonnerie avec chemisage intégral conforme aux codes et aux exigences. Ventilez le poêle dans une cheminée de maçonnerie ou dans une cheminée isolée en acier inoxydable certifiée. Le tuyau de raccordement de 6" (152mm) de diamètre doit être aussi court et aussi droit que possible. Le raccordement à la cheminée de maçonnerie doit se faire à l'aide d'un manchon métallique ou de maçonnerie cimenté en place.

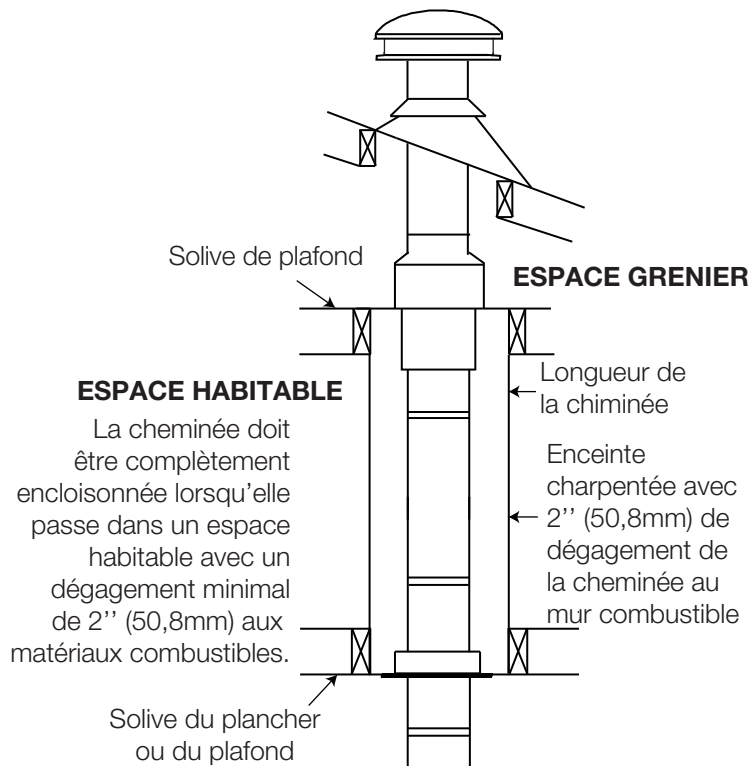
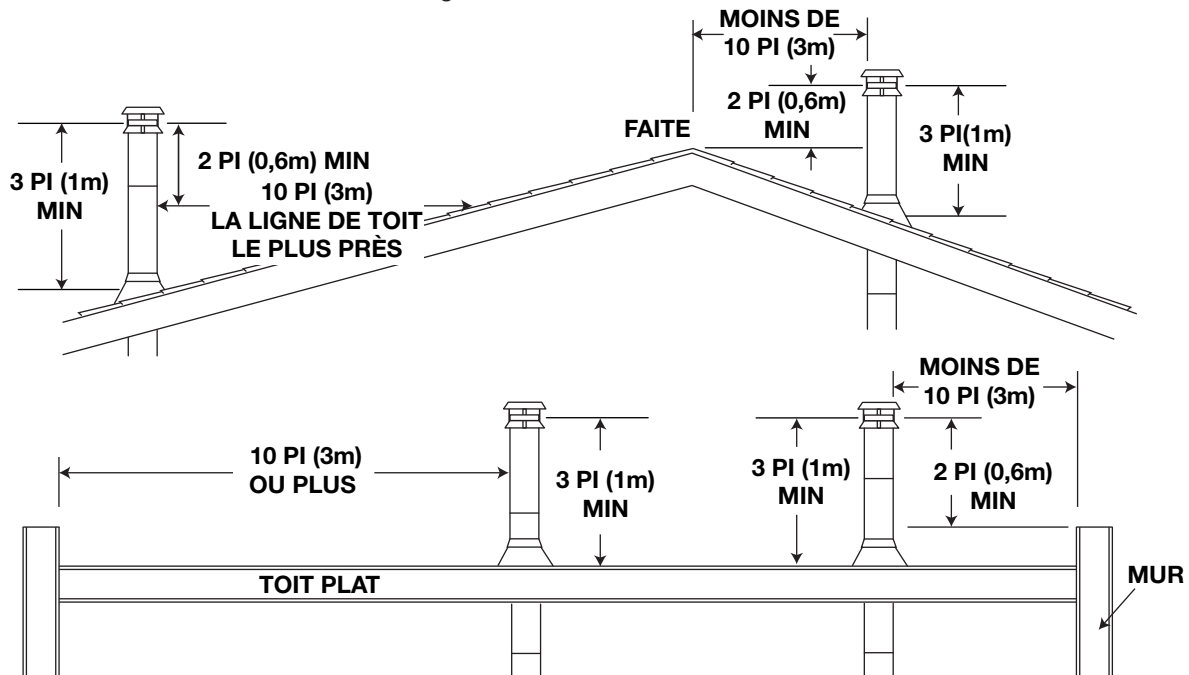


installation

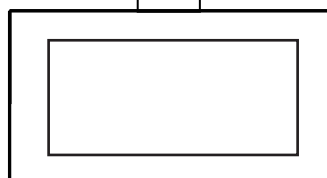
FR

3.1.2 ajout les sections

Ajoutez des sections de cheminée, selon les instructions d'installation du fabricant. Si la cheminée devra dépasser par l'espace grenier un écran protecteur de chevrons ou une bouclier d'isolation du grenier est requis. La cheminée doit dépasser le toit d'au moins 3' (0,9m) de son point de contact avec la toiture, et 2' (0,6m) de tout mur, toit ou édifice se trouvant à l'intérieur d'une distance horizontale de 10' (3,1m). Si la cheminée dépasse le toit de plus de 5' (1,5m), elle devra être fixée au toit avec un support de toit ou des brides de sécurité. Un chapeau de cheminée devra être installé afin d'éviter des dommages internes et la corrosion.

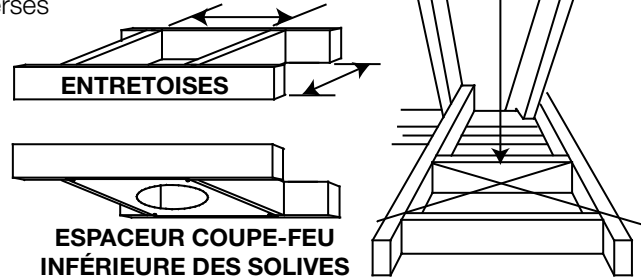


Une cheminée isolée en acier inoxydable doit être supporté au plafond ou au toit et son installation doit être conforme aux instructions de son fabricant.



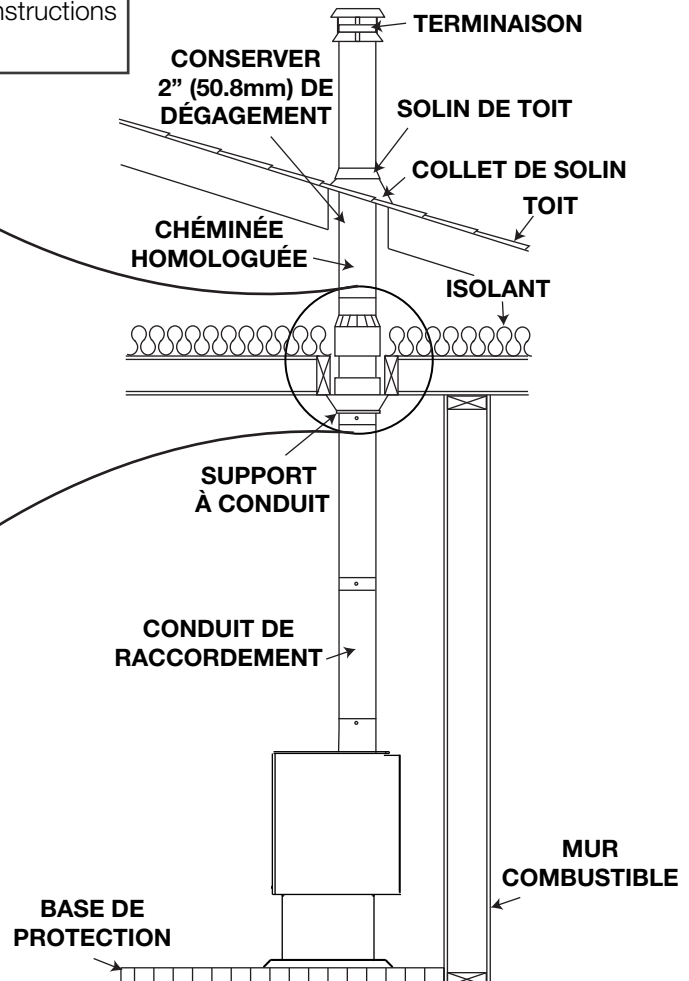
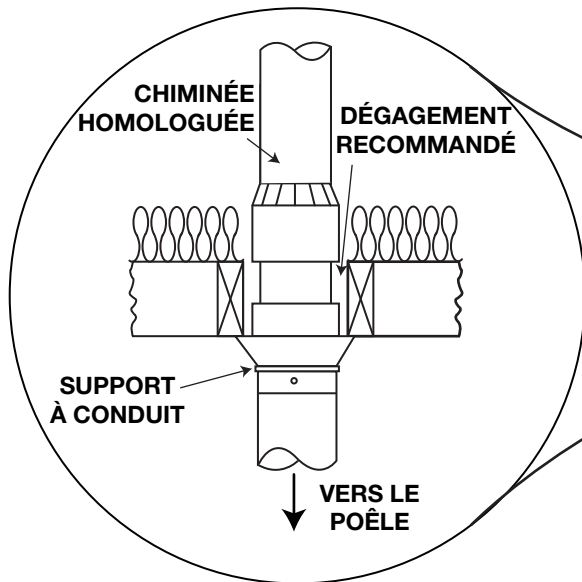
3.1.3 typique à travers un plafond

- A. Mettez le poêle en place avec le centre de la buse de façon à ne pas avoir à couper les solives. Utilisez un fil à plomb pour aligner le centre de la buse.
- B. Découpez et charpentez une ouverture dans le plafond de façon à fournir un dégagement de 2" (50,8mm) entre la cheminée et les matériaux combustibles. Ne remplissez cet espace avec aucun type de matériau. Fixez des entretoises entre les solives pour assurer un support additionnel. Pour tout plancher ou plafond traversés par la cheminée, des espaceurs coupe-feu doivent être fixés à la base de chaque ouverture charpente. Si la cheminée traverse le grenier, un écran de protection pour chevrons est requis.
- C. Tenez un fil à plomb à partir du dessous du toit pour déterminer où doit se trouver l'ouverture du toit. Découpez et charpentez une ouverture dans le toit tout en conservant le dégagement de 2" (50,8mm).



note:

La cheminée doit être supportée au plafond ou au toit afin que son poids ne repose pas sur l'appareil et son installation doit être conforme aux instructions de son fabricant.



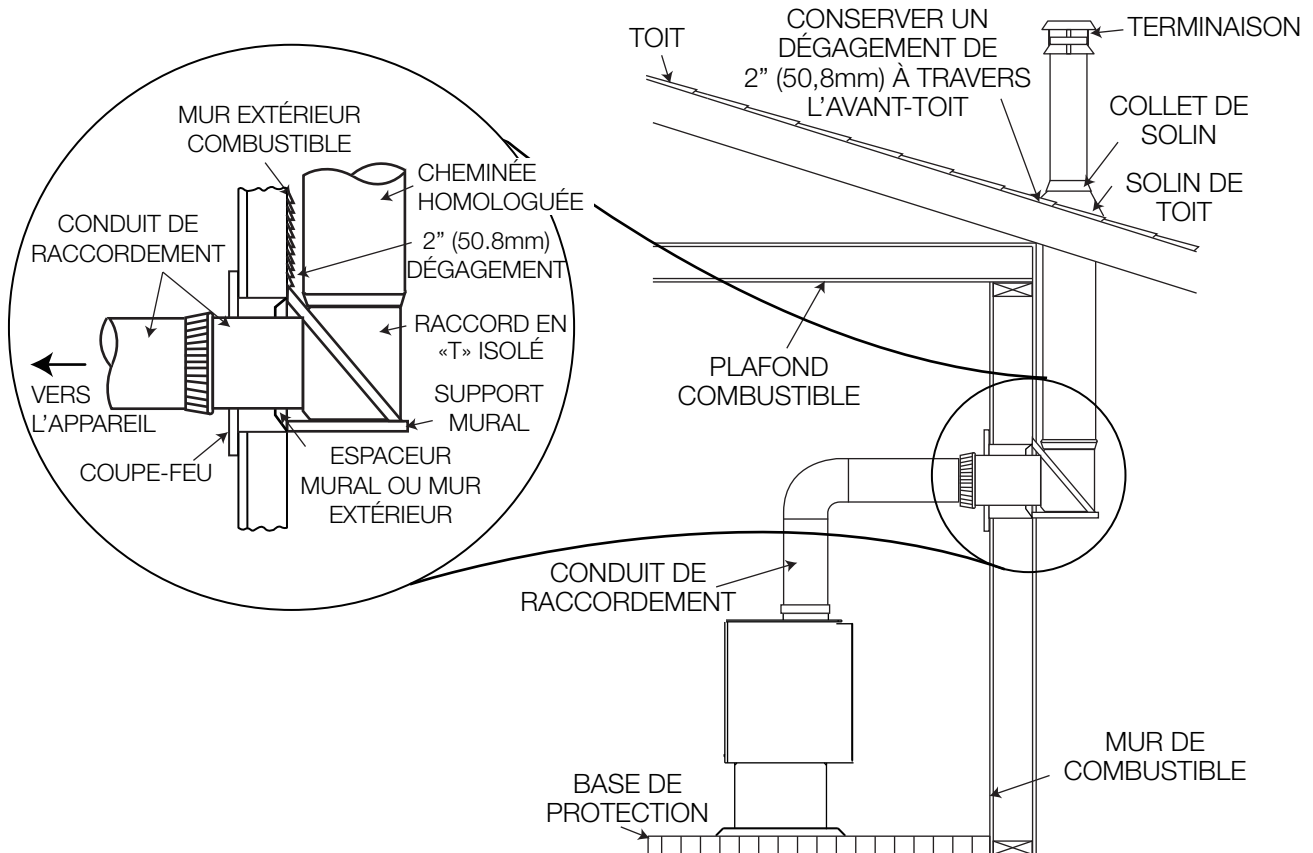
installation

FR

3.1.4 typique à travers un mur

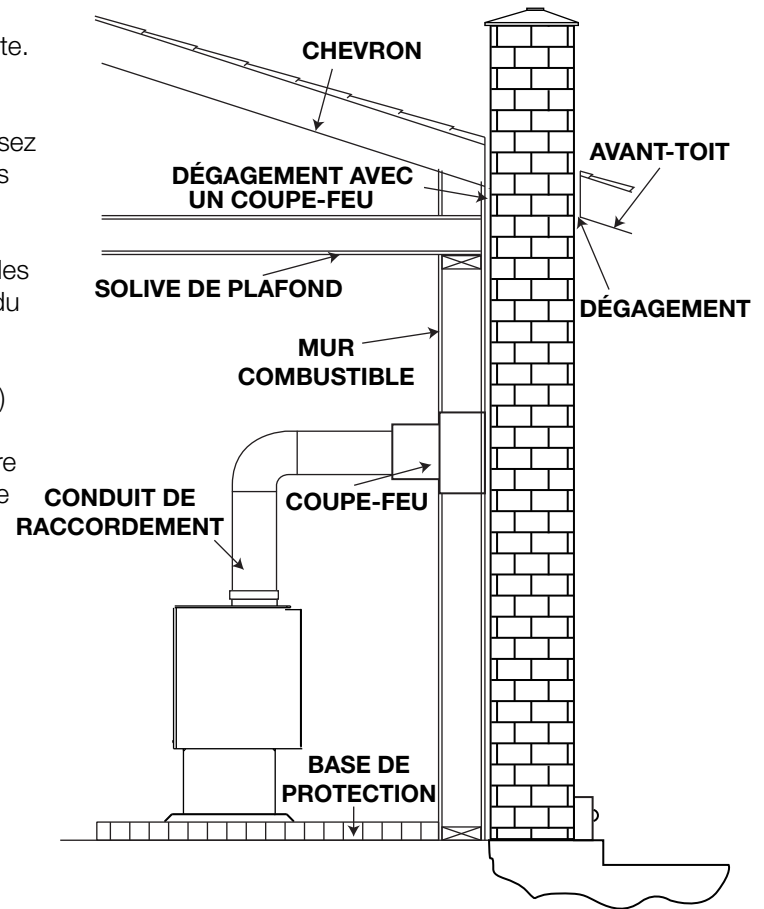
Si possible, l'installation des conduits de raccordement ne doit pas passer à travers un mur combustible. S'il faut absolument passer à travers un mur combustible, consultez votre inspecteur en bâtiment avant de procéder. Consultez aussi le fabricant des conduits de raccordement pour connaître toutes les exigences particulières.

Consultez votre détaillant pour obtenir les composants de raccordement muraux dont vous auriez besoin. N'utilisez que les pièces qui ont été testées et certifiées pour des installations à travers un mur.



3.1.5 typique dans cheminée de maçonnerie existante

Vous pouvez aussi installer votre appareil en utilisant votre cheminée de maçonnerie existante. Pour ce faire, suivez les directives suivantes. Nous vous conseillons d'installer un coupe-feu préfabriqué ou d'en construire un. Si vous utilisez une cheminée en maçonnerie, vous devez vous assurer qu'elle réponde aux normes de construction de votre région. Elle doit être construite de briques d'argile réfractaire, de tuiles de métal ou d'argile cimentés ensemble avec du ciment réfractaire. (Les conduits de cheminée ronds sont les plus efficaces). La maximum du conduit carré est 8" (203,2mm) x 8" (203,2mm) ou 6" (152,4mm) pour une conduit circulaire. Pour les diamètres plus grands, il est nécessaire d'installer un revêtement en acier inoxydable de 6" (152,4mm).



4.0 finitions

FR

4.1 enlèvement de porte

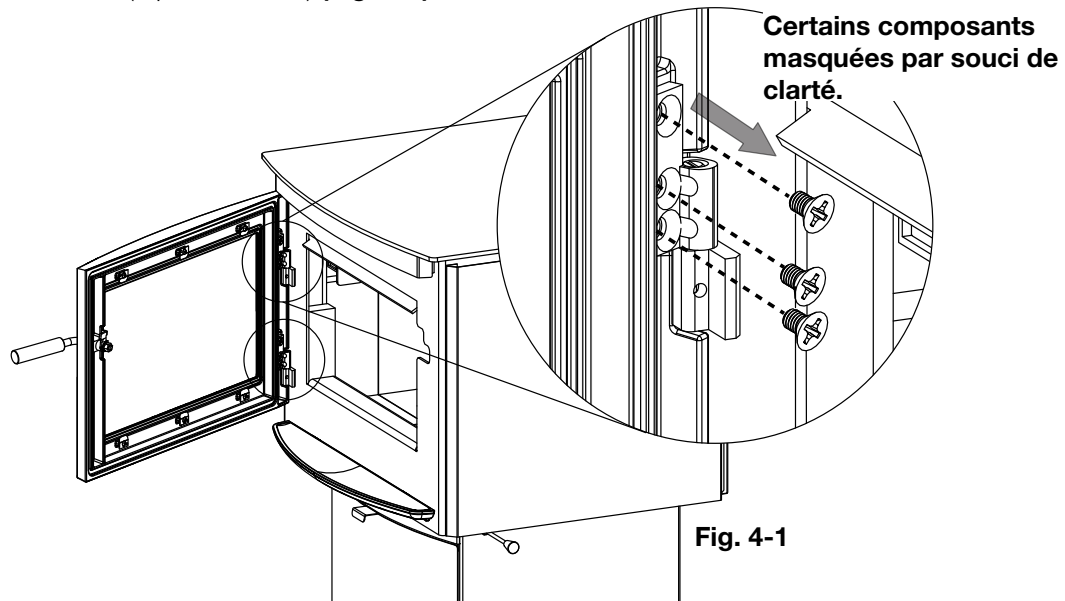
! AVERTISSEMENT

- Faire fonctionner cet appareil avec les portes ouvertes ou entrouvertes crée un risque d'incendie de cheminée ou du domicile.
- Ne frappez pas et ne claquez pas la porte.
- N'enlevez jamais la porte lorsque l'appareil est chaud.

note:

Nous recommandons fortement d'utiliser deux personnes d'enlever et/ou installer la porte de l'appareil parce qu'elle est très lourde.

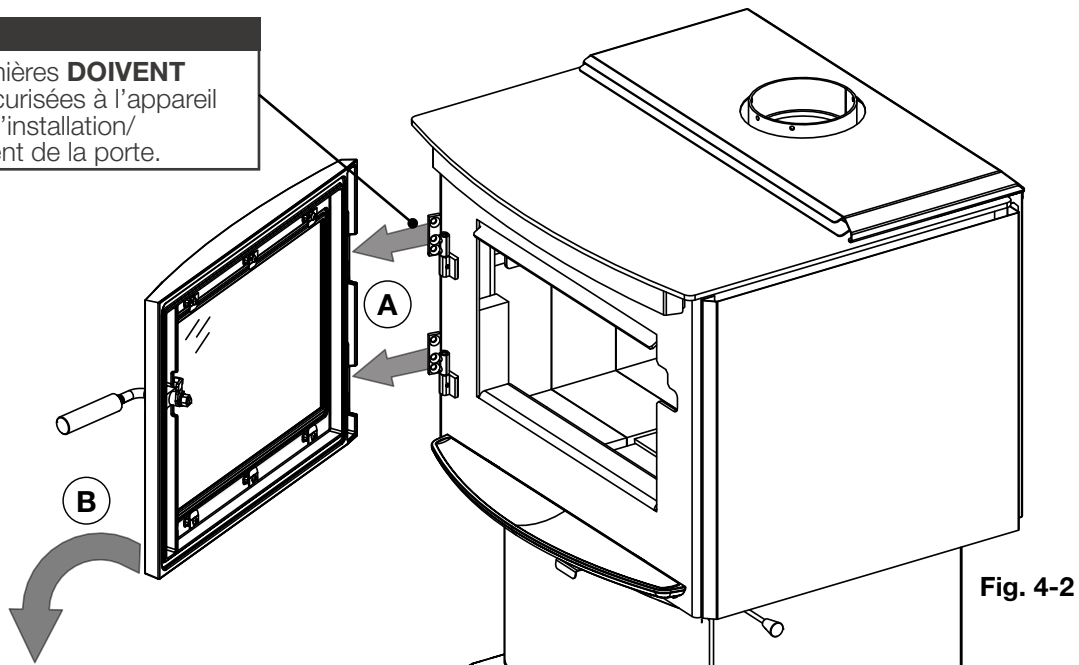
1. Avec une main sur la porte de la prévenir de tomber, ouvrez la porte et retirez les 6 grandes vis situées sur les charnières (3 par charnière) (**Fig. 4-1**).



2. Retirez la porte, en la-plaçant face vers le bas sur une surface doux et non-abrasive (**Fig. 4-2**). Faites attention de ne grattez pas le peinture.

note:

Les charnières **DOIVENT** rester sécurisées à l'appareil pendant l'installation/enlèvement de la porte.

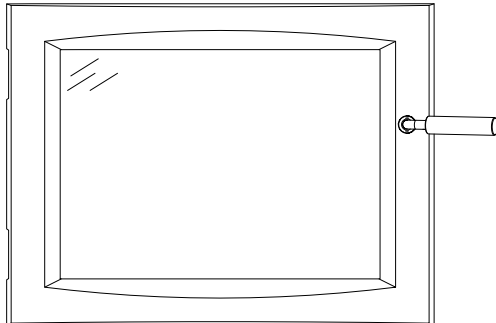


3. Inversez ces étapes pour installer la porte.

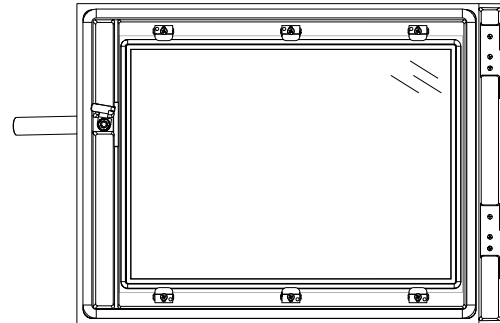
4.2 installation de poignée de porte

! AVERTISSEMENT

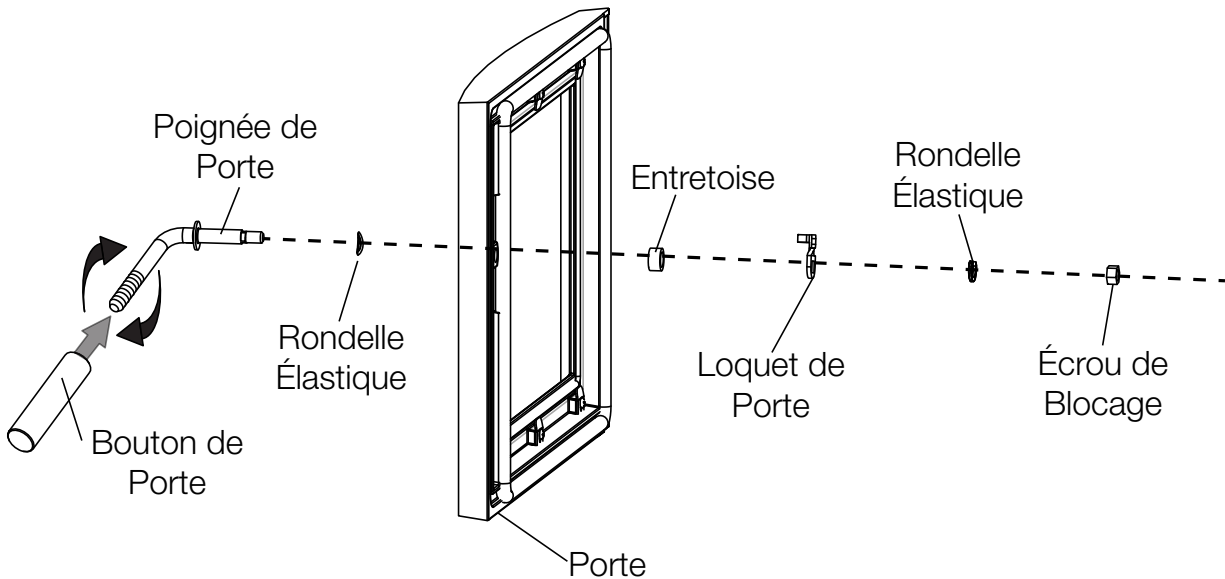
- Faire fonctionner cet appareil avec les portes ouvertes ou entrouvertes crée un risque d'incendie de cheminée ou du domicile.
- Ne frappez pas et ne claquez pas la porte.
- N'enlevez jamais la porte lorsque l'appareil est chaud.



Vue de Face



Vue d'Arrière



! AVERTISSEMENT

- L'opération de l'appareil sans les briques peut causer des températures excessives qui pourraient endommager l'appareil, la cheminée, et l'enceinte.

Avec l'installation de l'appareil et la cheminée complété, déplacez les briques en place comme illustré ci-dessous (Fig. 4-3).

- A.** Faites pivoter soigneusement deux déflecteurs en fibre «E» vers le haut sur les tubes d'air secondaire comme illustré (Fig. 4-4). **L'installation des déflecteurs peut être facilitée en retirant les deux tuyaux d'air secondaire avant (voir la section « tuyaux d'air secondaire »).** Assurez-vous que les déflecteurs sont poussés complètement à l'arrière de la chambre de combustion, en laissant un espace d'au moins 1 pouce le long de l'avant. Cela permettra aux gaz de combustion de s'échapper de la chambre de combustion. Assurez-vous que le joint de recouvrement est serré et que l'encoche face vers l'avant.

important:

Pendant l'installation, les déflecteurs DOIVENT être d'équerre avec le foyer car ils peuvent être bien ajustés entre les collecteurs d'air secondaire.

- B.** Installez six briques «D» le long de l'avant de la chambre de combustion. Assurez-vous de suivre la séquence de numérotation dans l'illustration ci-dessous (c'est-à-dire D1, D2, D3, etc.).
- C.** Installez huit briques «A» et quatre briques «B» le long du bas de la chambre de combustion, en partant de l'arrière de l'appareil vers l'avant.
- D.** Installez huit briques «A» le long des côtés gauche et droit de l'appareil.
- E.** Installez quatre briques «A» et deux briques «C» le long du mur arrière en faisant pivoter les briques vers le haut sous le support de retenue de brique.

note:

Placez les briques «C» au centre, avec deux briques «A» de chaque côté comme illustré (Fig. 4-3).

Les déflecteurs en fibre sont expédiés à l'intérieur de la chambre de combustion. Ils doivent être retirés de tous les emballages spéciaux avant l'installation.

Pour plus de descriptions de briques et numéros de pièces, voir la section « pièces de rechange ».

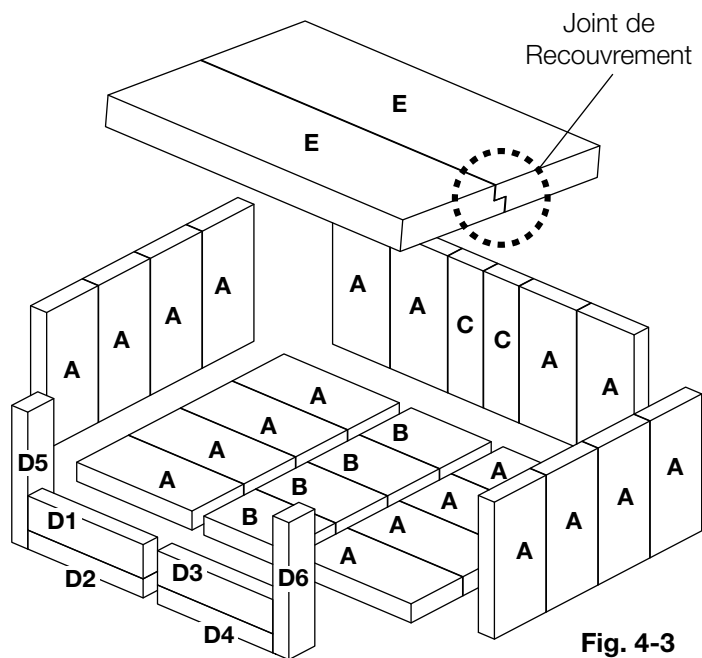


Fig. 4-3

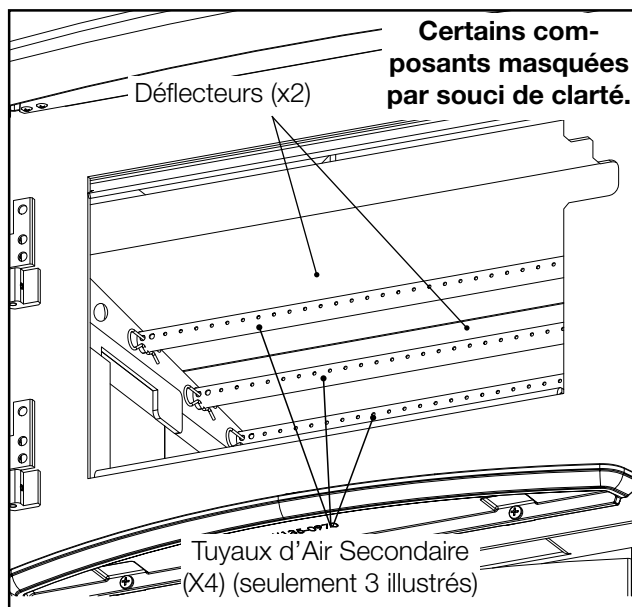


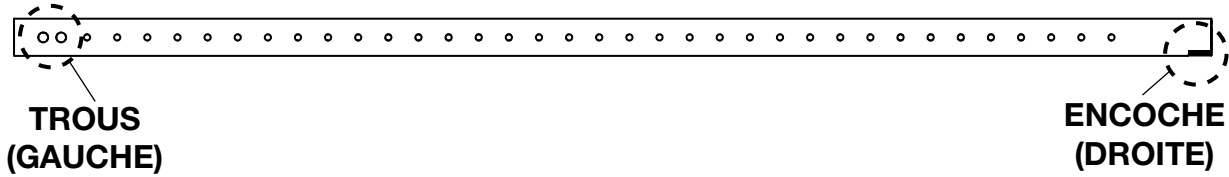
Fig. 4-4

4.4 tuyaux d'air secondaire

note:

Les 3 tuyaux d'air secondaire arrière sont installés en usine; par conséquent, seul le tuyau d'air secondaire avant (fourni à l'intérieur de la chambre de combustion) devra être installé.

Avant de commencer l'installation, notez l'orientation correcte du tuyau d'air secondaire. Le côté avec l'encoche doit être tourné vers la droite, tandis que le côté avec 2 trous à l'extrémité doit être tourné vers la gauche.



1. Avec la porte de l'appareil ouverte ou retirée, insérez le côté gauche du tube d'air secondaire dans le trou sur le **côté gauche** de l'appareil.
2. Insérez le côté droit du tube d'air secondaire dans le trou du **côté droit** de l'appareil. Assurez-vous que l'encoche entre en contact avec l'épingle (**Fig. 4-5**).

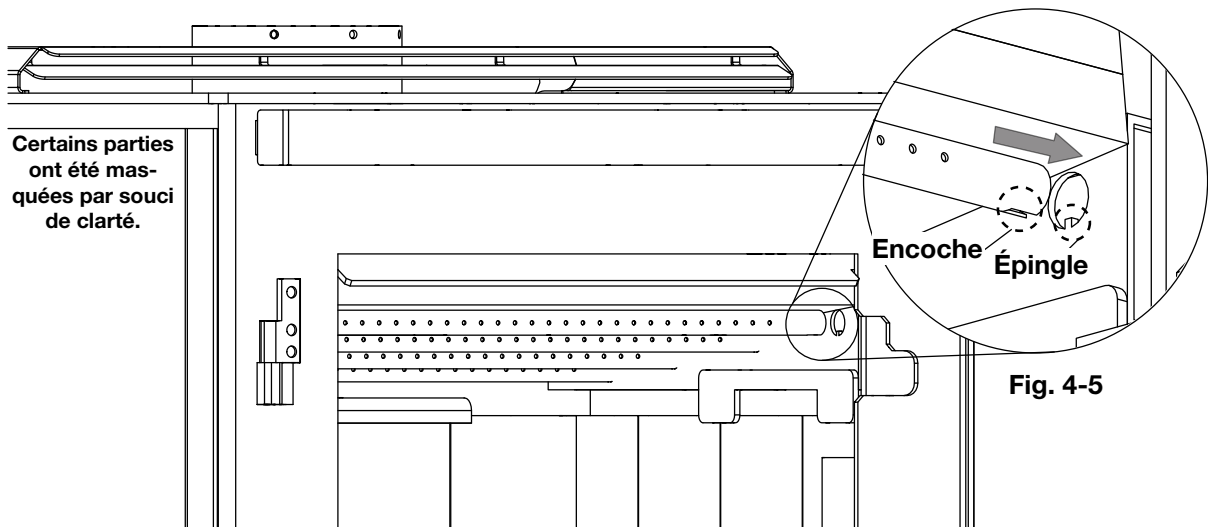


Fig. 4-5

3. Alignez le trou du tuyau d'air secondaire avec le trou du support à l'intérieur du côté gauche de la chambre de combustion, puis insérez une goupille fendue (fournie) (**Fig. 4-6**).

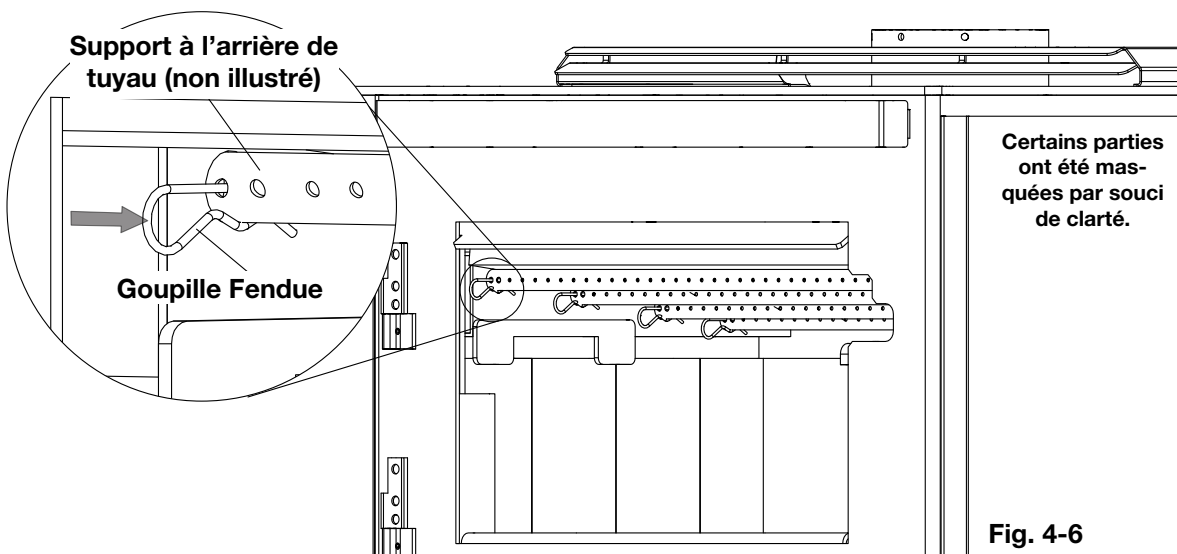


Fig. 4-6

4. Écartez la goupille fendue pour maintenir le tube d'air secondaire en place.

4.5 installation / enlèvement de tablette à cendres

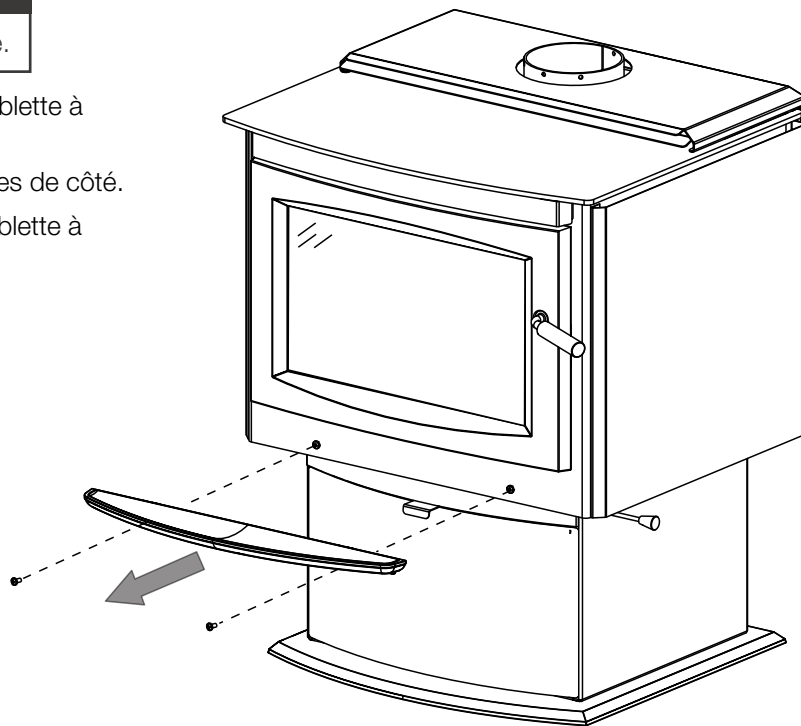
! AVERTISSEMENT

- Afin d'éviter des blessures ou dommages, ne soulevez pas l'appareil en utilisant la tablette à cendres.

note:

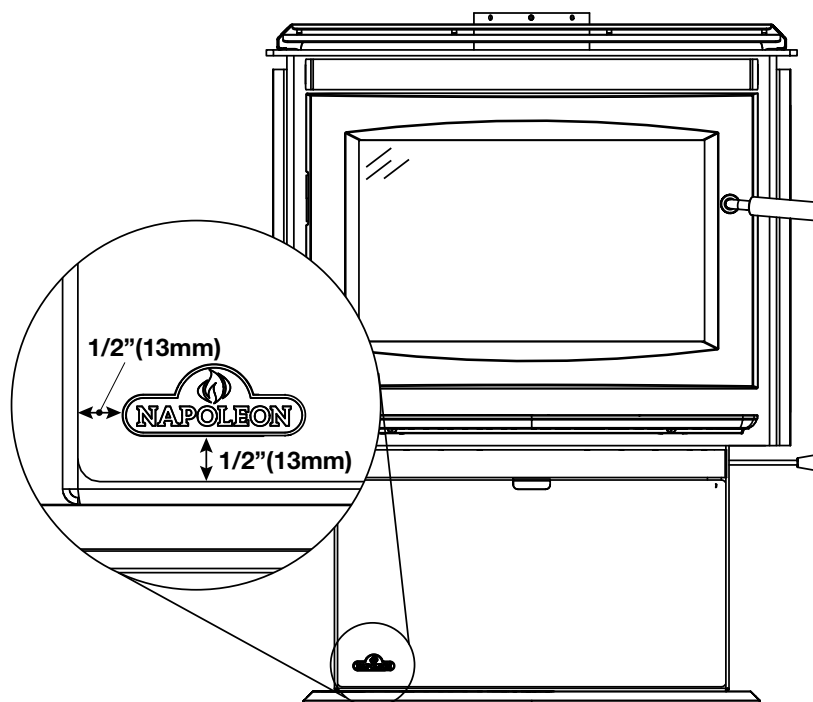
La tablette à cendres est installée en usine.

- Retirez les 2 vis servant à fixer la tablette à cendres à l'appareil.
- Mettez les vis et la tablette à cendres de côté.
- Inversez ces étapes d'installer la tablette à cendres.



4.6 emplacement de logo

Retirez le papier dorsal du logo et placez-le sur comme illustrée.



5.1 installation d'ensemble de soufflerie

! AVERTISSEMENT

- Risque d'incendie et de choc électrique!
- Coupez l'alimentation en gaz et l'alimentation électrique avant de procéder à l'entretien de l'appareil.
- N'utilisez que les accessoires optionnels et les pièces de rechange approuvés par Wolf Steel pour cet appareil. L'utilisation d'accessoires non listés (soufflerie, portes, persiennes, moulures, composants de gaz, composants d'évacuation, etc.) pourrait être non sécuritaire et annulera la garantie et la certification.
- Afin de prévenir les chocs électriques et les dommages causés par le feu, assurez-vous que le cordon d'alimentation du ventilateur n'entre pas en contact avec quelque surface de l'appareil. Ne faites pas passer le cordon d'alimentation sous l'appareil.
- Le harnais de fils fournis dans l'ensemble de soufflerie est un harnais universel. Lors de son installation, assurez-vous que tout excès de fil est confiné, l'empêchant ainsi d'entrer en contact avec des objets chauds ou mobiles.

La poussière de gypse pénétrera dans le roulement à billes de la soufflerie causant des dommages irréparables. Vous devez éviter que cette poussière n'entre pas en contact avec la soufflerie ou son compartiment. Tout dommage causé par ce problème ne sera pas couvert par la garantie. L'utilisation de la soufflerie accroît le débit de chaleur.

Les dispositions ont été faites sur cet appareil d'installer un ensemble de soufflerie optionnel (NEP70), qui vient complet avec un interrupteur de vitesse variable d'allumer ou d'éteindre la soufflerie, ainsi d'ajuster la vitesse de la soufflerie.

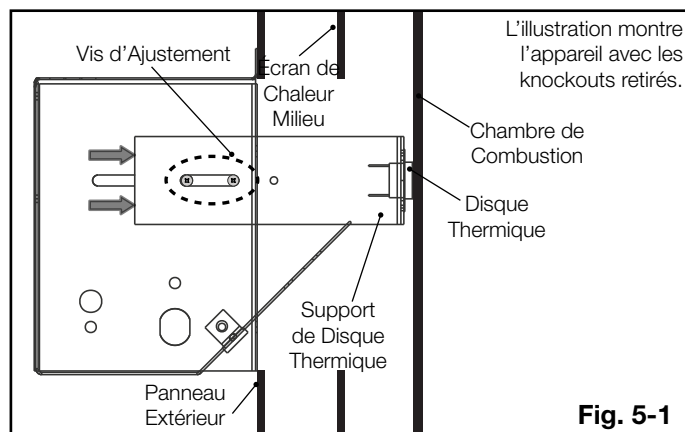


Fig. 5-1

1. Assurez-vous que le support de disque thermique est en la position correcte (**Fig. 5-1**).
2. Retirez les deux knockouts de l'arrière de l'appareil.
3. Installez la soufflerie et le boîtier comme illustré (**Fig. 5-2**) à l'aide des 4 vis (fournies).
4. Desserrez les vis d'ajustement.
5. Accédez entre le panneau extérieur et la chambre de combustion, puis faites glissez le support de disque thermique jusqu'à ce que le disque thermique touche l'arrière de la chambre de combustion (**Fig. 5-1**).

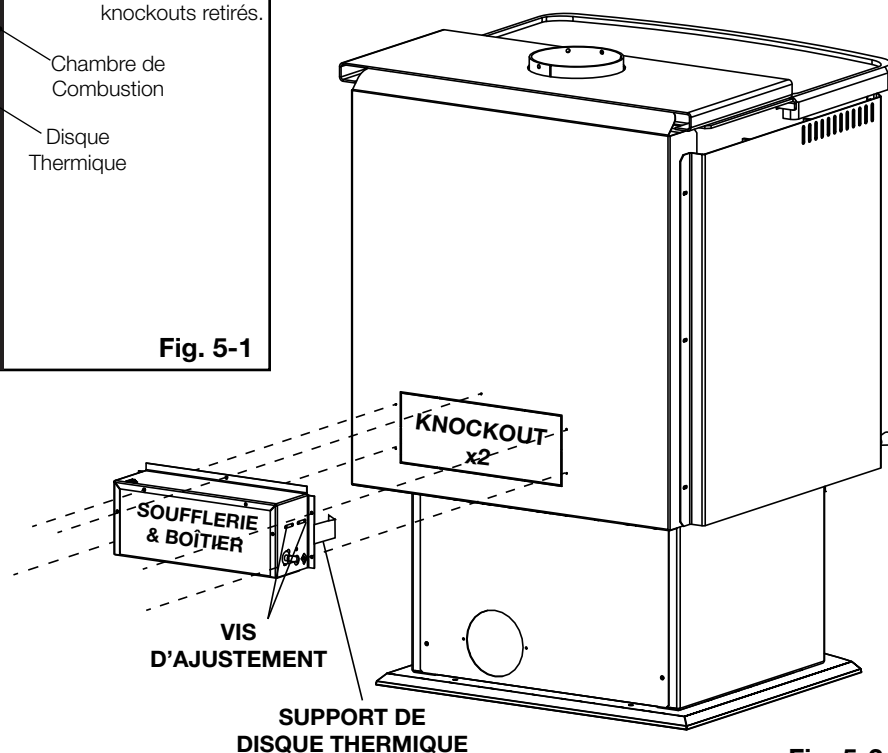


Fig. 5-2

note:

Pour une performance optimale, le disque thermique **DOIT** prendre contact avec la chambre de combustion.

6. Résécurisez les vis d'ajustement pour maintenir le support de disque thermique en place.

optional installation

FR

5.2 ensemble d'évacuation de cendres (ADS2530)

! AVERTISSEMENT

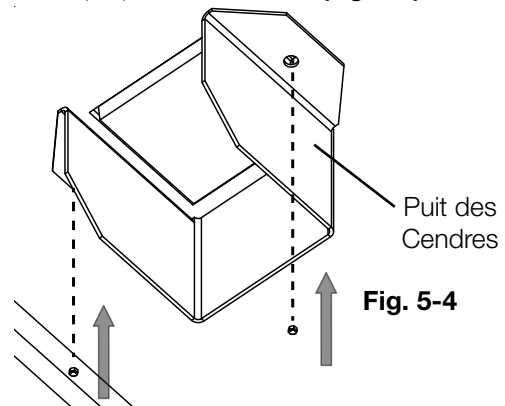
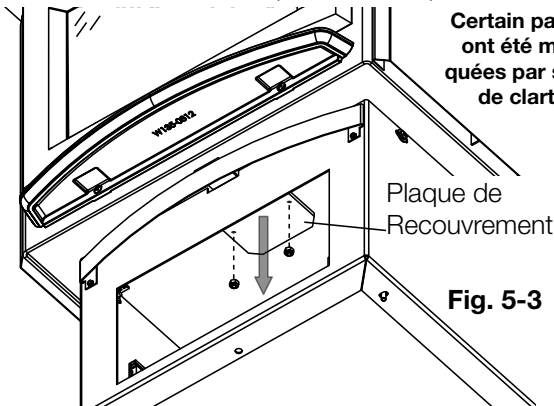
- L'échez d'atteindre un bon joint entre l'ouverture de cendres et la prise de cendres va résulter dans une condition de surchauffe qui peut causer les dommages à l'appareil.

Les dispositions ont été faits sur l'appareil d'installer un ensemble d'évacuation de cendres optionnel. Cet ensemble permet un retrait pratique des cendres excès.

note:

Si l'appareil a déjà utilisé, il doit être refroidi et vous devez enlever les cendres pour accéder la prise de cendres.

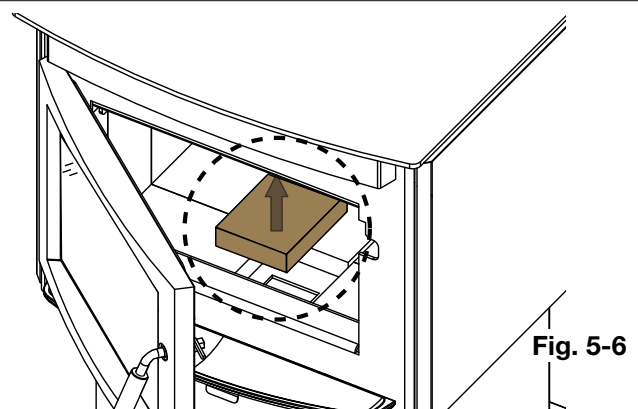
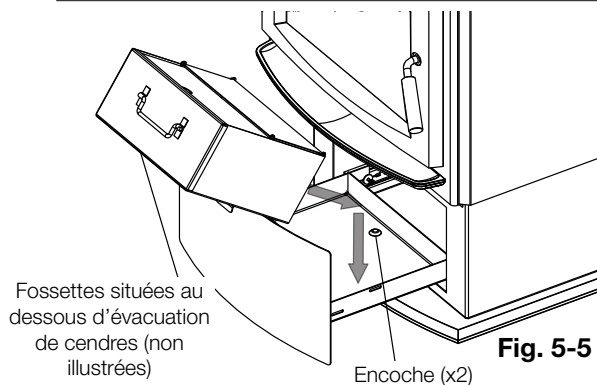
1. Ouvrez l'évacuation de cendres.
2. Du bas de l'appareil, retirez les écrous servant à fixer la plaque de recouvrement d'ouverture de cendres (**Fig. 5-3**). Jetez la plaque de recouvrement.
3. En utilisant les écrous d'étape 2, installez le puit des cendres là où se trouvait la plaque de recouvrement (**Fig. 5-4**).



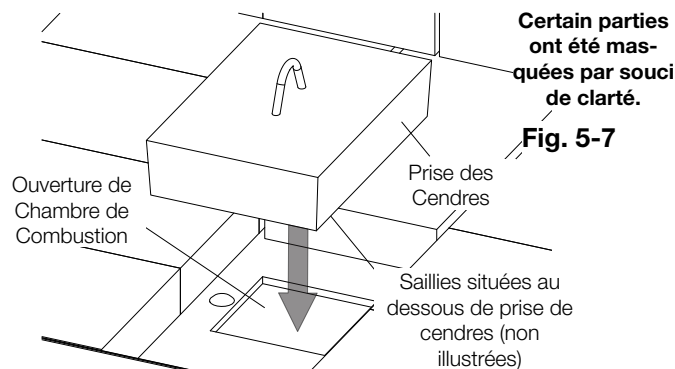
4. Placez le boîtier d'élimination des cendres dans l'évacuation des cendres. Assurez-vous que les fossettes s'insèrent dans les encoches (**Fig. 5-5**). Fermez l'évacuation des cendres.
5. Retirez la petite brique légère servant à couvrir l'ouverture des cendres et mettez-la de côté pour usage ultérieur (**Fig. 5-6**).

note:

Il est important que la zone autour de l'ouverture de cendres est propre d'assurer qu'il y a un bon joint entre la prise de cendres nouvelles et l'ouverture de cendres.



6. Lors la zone autour de l'ouverture a été nettoyée, placez la prise des cendres nouvelle (fournie) sur l'ouverture. Assurez-vous que les saillies de la prise des cendres sont encastrées dans l'ouverture au bas de la chambre de combustion (**Fig. 5-7**).



AVERTISSEMENT

- Faites toujours fonctionner cet appareil avec la porte fermée et verrouillée sauf durant l'allumage et le ravitaillement ou lorsque vous utilisez le pare-étincelles. Portez toujours des gants pour prévenir les blessures. Ne laissez pas l'appareil sans supervision lorsque les portes sont déverrouillées ou lorsque vous utilisez le pare-étincelles. Du bois instable pourrait tomber hors de la chambre de combustion et créer un risque d'incendie.
- Ne laissez jamais les enfants sans surveillance lorsqu'un feu brûle dans l'appareil.
- N'utilisez jamais d'essence, de combustible à lanterne, de kérosène, d'essence à briquet ou autres liquides pour allumer ou raviver un feu dans cet appareil. Gardez tous ces liquides éloignés de l'appareil lorsque celui-ci fonctionne.
- Les objets placés devant l'appareil doivent être gardés à une distance d'au moins 48" (121,9cm) de la face vitrée.
- Toute modification apportée à l'appareil qui n'a pas été préalablement approuvée par écrit par le laboratoire d'essai est considéré comme une violation des normes CSA B365 (Canada) et ANSI/NFPA 211 (É.U.).
- Ouvrez le contrôle de combustion (et le registre s'il y a lieu) avant d'ouvrir la porte de l'appareil.
- L'appareil est chaud lorsqu'il fonctionne. Tenez les enfants, les vêtements, et les meubles à l'écart. Le contact peut causer des brûlures. Portez des gants lorsque vous opérez votre appareil.
- Faire fonctionner votre appareil avec les portes ouvertes ou entrouvertes constitue un risque pouvant causer un incendie et/ou un feu de cheminée.
- Cet appareil au bois possède un taux minimal de combustion établi par le fabricant qui ne doit pas être modifiée. Les règlements fédéraux interdisent en États-Unis de modifier ce réglage ou d'utiliser cet appareil de chauffage d'une manière allant à l'encontre des instructions de fonctionnement contenues dans ce manuel.

Votre appareil Napoléon certifié aux normes EPA est un appareil de haute technologie conçu selon les principes technologiques les plus avancés. Cet appareil est extrêmement hermétique.

Le(s) premier(s) feu(x) de l'appareil sera/seront difficile(s) à partir et à maintenir tout en produisant qu'un peu de chaleur. Ceci est le résultat de l'humidité émanant des briques réfractaires. Durant la période de rodage (les premiers 2 ou 3 feux), ne faites que des petits feux en utilisant du bois d'allumage; cela permettra à la brique de se conditionner. Ne vous inquiétez pas si de petites fissures apparaissent dans les briques réfractaires. Cela est normal et ne pose aucun danger à la sécurité. La peinture peut également produire de légères émanations pendant les premiers feux à cause du processus de cuisson; vous devrez ouvrir une porte ou une fenêtre pour chasser les odeurs.

À l'allumage, un feu vif est requis. Placez des morceaux de papier grossièrement chiffonnés sur le plancher de l'appareil et couvrez-les de bois d'allumage. Ouvrez complètement le contrôle de combustion en le déplaçant complètement à droite. Allumez le papier et laissez la porte légèrement entrouverte (un pouce) jusqu'à ce que tout le bois d'allumage soit enflammé. Pour maintenir un feu vif, un lit de braises doit se former et être entretenu.

Lentement, ajoutez des morceaux de bois plus gros (2" [51mm] x 4" [102mm]). Posez les morceaux dans le lit de braises, parallèlement à l'arrière, tout en gardant une tranchée peu profonde entre les morceaux de bois. Ainsi, l'air comburant primaire circulera directement dans la tranchée et allumera le bois. Lorsque la flambée semble à son maximum, des bûches de dimensions moyennes peuvent être ajoutées. Une fois que ces morceaux ont pris feu, fermez la porte doucement. (Le fait de fermer la porte immédiatement après le chargement entraînera une diminution de température dans la chambre de combustion et se traduira par une combustion insatisfaisante.) Rappelez-vous qu'il est plus efficace de brûler des morceaux de bois de dimensions moyennes à feu vif et de recharger plus souvent, que d'alimenter l'appareil avec des gros morceaux qui produiront un feu languissant et inefficace qui salira la votre.

Une fois que la porte est fermée, vous observez un changement dans le comportement des flammes. Elles deviendront plus petites et plus paresseuses parce que le volume d'oxygène qui entre dans la chambre de combustion est moindre. Cependant, les flammes sont plus efficaces. Elles continueront d'être paresseuses, mais redeviendront plus grandes dès que les briques réfractaires auront été complètement réchauffés et que la cheminée deviendra plus chaude, produisant ainsi un meilleur tirage. À ce stade, les grandes flammes que vous observez lorsque la porte est ouverte tirent inutilement l'air réchauffé de la pièce dans la cheminée - une situation qui est certes indésirable. C'est pourquoi il faut toujours faire fonctionner l'appareil avec la porte complètement fermée lorsque les morceaux de bois de dimensions moyennes sont enflammés.

Vous pouvez maintenant ajouter de plus gros morceaux de bois et faire fonctionner l'appareil normalement. Une fois que l'appareil est complètement réchauffé, il brûlera très efficacement en laissant échapper que très peu de fumée par la cheminée. Il y aura un lit de braises orangées dans la chambre de combustion et les flammes secondaires sautilleront juste au-dessous des déflecteurs supérieures. Vous pouvez sans crainte remplir la chambre de combustion avec du bois jusqu'au sommet de la porte de chargement et vous obtiendrez de meilleures flambées si vous maintenez la température du tuyau de l'appareil entre 250°F (120°C) et 450°F (270°C). Un thermomètre de surface vous aidera à mieux contrôler la température.

Sans thermomètre, vous travaillez à l'aveuglette, sans aucune idée réelle du fonctionnement de votre appareil. Une thermomètre d'appareil vous donna une référence quant à la performance de votre appareil.

Vous n'arrivez pas à faire partir votre feu?

Utilisez un peu plus de bois d'allumage et de papier. Si la cheminée et le tuyau d'évacuation sont de grandeur appropriée, et s'il y a suffisamment d'air comburant, alors la problème est causé par une quantité insuffisante de petits morceaux de bois d'allumage sec. Le bois d'allumage devrait avoir un diamètre équivalent à celui de votre pouce.

Votre appareil n'émet pas assez de chaleur?

Une ou deux causes sont possibles. La porte de l'appareil a été fermée prématurément et l'appareil n'a pas atteint sa température optimale. Ouvrez la porte et/ou le contrôle de combustion à nouveau afin de repartir un feu vif. Du bois mouillé pourrait être la deuxième cause. Un bois grésillant d'où s'échappe de l'humidité est le symptôme typique.

6.1 méthode de combustion optimale

Pour une performance et une efficacité optimales quant aux émissions, suivez les directives simples suivantes lors de l'utilisation de votre appareil:

- A.** Maintenez une couche de braises chaudes de 2 po (51mm).
- B.** Brûlez seulement du bois sec avec moins de 20% d'humidité et veillez à ce que la porte vitrée reste propre.
- C.** Un thermomètre de poêle placé à 18 po (457mm) d'un tuyau de raccordement à paroi simple doit indiquer 350°F (176°C) comme une température moyenne.
- D.** Lors d'une combustion normale, vous devez maintenir un niveau minimal d'émanations de fumée provenant de la cheminée.
- E.** Inspectez et remplacez tous les composants nécessaires tels que les joints, les collecteurs, le verre, et d'autres composants qui peuvent affecter l'efficacité globale de l'appareil.
- F.** Assurez-vous un tirage adéquat pour contrôler la rapidité de combustion et la température.

Voir les section « fonctionnement » et « entretien » pour plus de détails.

6.2 fonctionnement de soufflerie optionnelle

La procédure d'utilisation suivante est recommandée pour obtenir une performance optimale:

Lorsque l'appareil fonctionne à feu élevé:

1. Nous conseillons de régler la soufflerie sur « HIGH » et faites fonctionner avec le thermodisque (situé à l'arrière de l'appareil).

Lorsque l'appareil fonctionne à feu moyen:

2. Nous ne conseillons pas d'utiliser la soufflerie.

Lorsque l'appareil fonctionne à feu bas:

3. Nous conseillons de mettre la soufflerie en marche après environ 60 minutes au réglage minimum. Faites fonctionner avec le thermodisque (situé à l'arrière de l'appareil).

6.3 contrôle d'air

AVERTISSEMENT

- Cet appareil au bois possède un taux minimale de combustion établi par le fabricant qui ne doit pas être modifié. Les règlements fédéraux interdisent en États-Unis de modifier ce réglage ou d'utiliser cet appareil de chauffage d'une manière allant à l'encontre des instructions de fonctionnement contenues dans ce manuel.

Le tirage est la force qui déplace l'air de la chambre de combustion vers le haut dans la cheminée. La force de tirage de votre cheminée dépend de sa hauteur et de son diamètre, de la géographie locale, des obstructions avoisinantes et autres facteurs comprenant la quantité de chaleur générée par le feu qui peut être mesurée par un thermomètre d'appareil.

Avant de régler le contrôle d'air, installez le bouton (fourni) en le vissant sur l'extrémité de la tige de contrôle d'air (Fig. 6-1).

Le fait d'enfoncer complètement le contrôle d'air réduit la température.

Le tirant d'eau peut être ajusté de bas en haut en déplaçant la poignée vers l'intérieur et l'extérieur (Fig. 6-1).

Un tirage inadéquat peut provoquer un retour de soufflage dans la pièce à travers l'appareil et les points de raccordement de la cheminée et peut provoquer l'obstruction de la cheminée.

Un tirage trop important peut causer une température excessive dans l'appareil, des pièces de l'appareil ou des connecteurs de cheminée rouges incandescents ou une brûlure incontrôlable pouvant entraîner un feu de cheminée ou des dommages permanents à l'appareil.

Ne faites pas fonctionner votre appareil pendant plus de 30 minutes avec la commande de tirage sur «HIGH» (complètement ouverte).

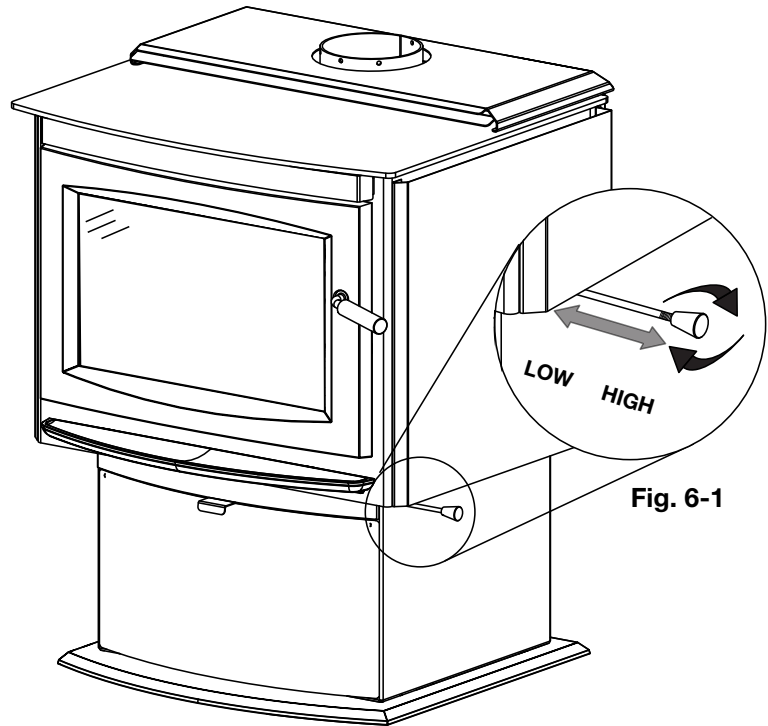


Fig. 6-1

6.4 extincteurs et détecteurs de fumée / monoxyde de carbon

note:

Toujours vérifiez vos détecteurs de fumée et CO fonctionne correctement.

Toutes les maisons possédant un appareil à combustible solide devraient posséder au moins un extincteur d'incendie dans un emplacement central connu de tous et au moins un détecteur de fumée et détecteur monoxyde de carbone placé dans la pièce où l'appareil est situé. Si l'alarme se déclenche, corrigez la cause mais ne désactivez pas, ou ne relocalisez pas le détecteur de fumée. Si le détecteur de monoxyde de carbone sonne l'alarme, déplacer immédiatement à une région qui a l'air frais et appeler un votre service d'incendie local.

! AVERTISSEMENT

- Ne rangez pas de combustibles à l'intérieur du dégagement aux matériaux combustibles ou dans la zone nécessaire pour procéder au ravitaillement ou à l'enlèvement des cendres.
- Brûler du bois vert ou humide peut causer des accumulations excessives de créosote. Lorsqu'allumée, cette dernière peut causer un feu de cheminée et un incendie grave pourrait s'ensuivre.

Lorsque vous chargez l'appareil, assurez-vous que les quatre déflecteurs en fibre du haut de l'appareil n'ont pas été soulevés et déplacés de le rebord. Pour assurer une efficacité maximale lorsque l'appareil est réchauffé, remplissez-le avec du bois jusqu'au sommet de la porte de chargement et brûlez en réglant à feu moyen-bas. On obtient une chaleur maximale pour un minimum de combustible (efficacité maximale) quand le haut de l'appareil sous la grille ornementale atteint des température entre 500°F (260°F) et 600°F (315°C). Les briques seront presque entièrement blanches et la vitre presque entièrement propre. Ceci est un bon indicateur que votre appareil fonctionne efficacement. Lorsque vous ne brûlez qu'une ou deux bûches, l'appareil ne produira pas assez de chaleur ou le bois ne brûlera pas complètement. Il faut au moins 3 bûches pour arriver à avoir un lit de braises qui nourrira le feu.

note:

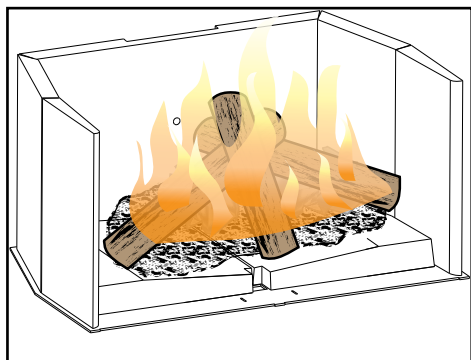
Lorsque vous chargez l'appareil, assurez-vous de garder le combustible éloigné de la vitre. Si des braises s'accumulent sur le rebord avant, elles pourraient tomber hors de l'appareil quand vous ouvrez la porte.

Des bûches placées de façon lâche brûleront plus rapidement que celles placées serrées les unes contre les autres. Le bois brûle de façon cyclique au lieu de fournir une chaleur constante. Il est donc préférable de planifier ces cycles en fonction de vos activités familiales de façon à ce que suffisamment de braises soient disponibles pour allumer la charge suivante. Le soir, chargez votre appareil au moins une demi-heure avant de vous coucher pour vous assurer que le feu soit suffisamment chaud pour fermer le contrôle de combustion pour une combustion nocturne.

Ne brûlez que du bois sec avec un teneur en humidité moins de 20%. Il produit de chaleur et moins de suie et de créosote. Ne brûlez pas le bois qui a séjourné dans l'eau de mer; le contenu en sel peut produire un acide qui gruge le métal. Lorsque vous rechargez l'appareil, ouvrez la porte lentement afin d'éviter les refoulements de fumée. Lorsque vous alimentez le feu, portez de longs gants protecteurs (gants pour BBQ). Puisque la combustion se fait à l'avant, ces appareils sont propres et efficaces, mais ils deviennent aussi très chauds et les gants sont alors très utiles. Gardez une petite pelle en acier à proximité; elle peut être utilisée comme tisonnier ou pour enlever les cendres. N'entreposez pas le bois à moins de trois pieds (1m) de l'appareil.

6.6 allumer un feu

6.6.1 feu éclair



Un feu éclair est un petit feu qui brûle rapidement quand vous n'avez pas besoin de beaucoup de chaleur. Une fois que votre bois d'allumage est bien allumé, chargez trois bûches par-dessus de façon très lâche. Faites brûler avec le contrôle de combustion pleinement ouvert ou légèrement ouverte.

6.6.2 feu continue

Chargez vos bûches de dimension plus grande de façon compacte pour empêcher les flammes de s'infiltrer complètement. Après 30 minutes environ, selon la grosseur de la charge, fermez le contrôle de combustion en vérifiant que le feu ne se soit pas éteint.

NE SURCHAUFFEZ PAS L'APPAREIL!

Une surchauffe peut se produire :

- A.** En brûlant de grandes quantités de bois de dimension réduite, tel que des rebuts de bois de meuble, des palettes ou du bois traité;
- B.** En brûlant vivement des grandes quantités de bois avec le contrôle de combustion à « HIGH » (entièrement ouvert) pendant de longues périodes (une ou deux heures).
- C.** En faisant fonctionner l'appareil lorsque la porte de la chute à cendres est ouverte ou lorsque le joint d'étanchéité de la porte principale est défectueux.

6.7 problèmes de fumée

Un appareil installé convenablement ne devrait pas fumer. Si votre fume, vérifiez les points suivants:

- Est-ce que la cheminée a pu se réchauffer suffisamment?
- Est-ce que le passage de la fumée est bloqué soit dans la cheminée, soit dans le conduit de raccordement, soit dans l'appareil?
- Est-ce que la pièce est trop hermétique et que la prise d'air comburant n'est pas raccordée sur l'extérieur? Essayez avec une fenêtre partiellement ouverte.
- Est-ce que le flot de fumée est restreint par un tuyau horizontal trop long ou par un trop grand nombre de coudes?
- S'agit-il d'un tirage faible causé par une cheminée non hermétique, une cheminée extérieure froide, un diamètre de cheminée trop grand, une cheminée trop courte ou trop près des arbres ou d'un toit plus élevé?
- Est la teneur en humidité du bois supérieure à 20%?
- Si équipé, est-ce que le bypass catalyseur a été fermé ou fermé prématurément?

7.0 entretien

FR

AVERTISSEMENT

- Coupez l'alimentation électrique avant de procéder à l'entretien de l'appareil.
- L'appareil peut être chaud. N'effectuez aucun entretien jusqu'à ce que l'appareil se refroidisse.
- N'utilisez pas de nettoyeurs abrasifs.

Vérifiez chaque semaine votre cheminée et votre raccord de cheminée pour toute accumulation de crésote et de suie jusqu'à ce qu'une fréquence de nettoyage sûre soit établie. Si l'accumulation est excessive, débranchez l'appareil et nettoyez la cheminée et l'appareil. Vous voudrez peut-être faire appel à un ramoneur professionnel pour les nettoyer. Les deux doivent être nettoyés au moins une fois par an ou aussi souvent que nécessaire.

Établissez une routine pour le combustible, le poêle à bois et la technique de cuisson. Vérifiez quotidiennement l'accumulation de crésote jusqu'à ce que l'expérience montre à quelle fréquence vous devez nettoyer pour être en sécurité. Sachez que plus le feu est chaud, moins il y a de dépôt de crésote et un nettoyage hebdomadaire peut être nécessaire par temps doux, même si un nettoyage mensuel peut être suffisant pendant les mois les plus froids. Communiquez avec votre autorité d'incendie municipale ou provinciale locale pour obtenir des informations sur la façon de traiter un feu de cheminée. Avoir un plan clairement compris pour gérer un feu de cheminée.

Retirez les déflecteurs en fibre et nettoyez-les au-dessus une fois par an. Remplacez les briques ou déflecteurs.

7.1 procédure d'enlèvement de cendres

AVERTISSEMENT

- L'élimination incorrecte des cendres cause des incendies. Ne jetez pas les cendres dans des boîtes en carton, ne les jetez pas dans la cour et ne les entreposez pas dans un garage.
- Si vous utilisez un aspirateur pour nettoyer les cendres, assurez-vous que ces dernières soient entièrement refroidies. L'utilisation d'un aspirateur pour nettoyer les cendres chaudes pourrait occasionner un incendie dans l'aspirateur.
- Ne faites jamais fonctionner votre appareil si l'ouverture de la chute à cendres n'est pas étanche.
- Si le joint entre l'ouverture, le couvercle, et la porte de la chute n'est pas étanche, cela entraînera une surchauffe pouvant endommager l'appareil.

Laissez les cendres s'accumuler sur une épaisseur de deux ou trois pouces sur le plancher de la chambre de combustion; elles ont tendance à se consumer. Une fois que le feu s'est éteint et que les cendres se sont refroidies, enlevez toutes les cendres excédentaires, mais laissez une épaisseur d'un pouce sur le plancher de la chambre de combustion pour aider à conserver un lit de braises chaudes.

ÉLIMINATION DES CENDRES: Les cendres doivent être placées dans un contenant métallique avec un couvercle hermétique. Le contenant fermé doit être placé sur une surface incombustible, à une distance éloignée de tout matériau combustible, jusqu'à ce que vous les jetiez. Si les cendres sont enterrées ou dispersées localement, elles devraient demeurer dans le contenant métallique jusqu'à ce qu'elles aient complètement refroidi.

7.1.1 enlèvement de cendres avec l'ensemble d'évacuation de cendres

- Pour enlever les cendres, retirez les cendres de la région de la prise de cendres.
- Retirez la prise de cendres. **Nous vous conseillons d'utiliser un tisonnier.**
- Ratissez les cendres excédentaires dans l'évacuation de cendres.
- **Ne remplissez pas trop l'évacuation de cendres. Le niveau des cendres ne doit pas dépasser la hauteur des côtés du tiroir.**
- Avant de retirer le tiroir, assurez-vous que la région autour de l'ouverture de la chute à cendres est propre. Cognez légèrement sur les côtés de l'ouverture pour déloger les cendres résiduelles. Remettez la prise de cendres sur l'ouverture. Ne faites fonctionner l'appareil qu'avec la prise de cendres bien installé.

7.2 formation et enlèvement de crésote

Lorsque le bois brûle lentement, il produit du goudron et autres vapeurs organiques qui, se combinant à la vapeur d'eau évacuée, forment la crésote. Ces vapeurs se condensent dans le conduit relativement froid de la cheminée d'un appareil brûlant lentement. Par conséquent, le résidu de crésote accumule sur dans le conduit. Lorsqu'elle prend feu, la crésote produit un feu extrêmement chaud.

Inspectez votre cheminée pour des accumulations de crésote chaque deux mois pendant le saison de chauffage pour déterminer si une accumulation de crésote à former.

7.3 feu de cheminée ou feu hors contrôle

AVERTISSEMENT

- Un feu de cheminée peut endommager votre cheminée de façon permanente. Pour réparer ces dommages, vous devrez remplacer les composants endommagés. Les feux de cheminée ne sont pas couverts par la garantie à vie limitée.

CAUSÉS:

- L'utilisation d'un combustible inapproprié ou de morceaux de bois trop petits qui, normalement, auraient été utilisés comme bois d'allumage.
- Accumulation de crésote dans la cheminée.
- Une porte laissée entrouverte trop longtemps créant des températures extrêmes lorsque l'air est entraîné précipitamment par la porte ouverte.
- Si équipé; faire fonctionner votre appareil sans le bouchon de cendres mal installé.

SOLUTIONS:

- Ne brûlez pas de bois traité ou transformé, de charbon, de charbon de bois, de papier de couleur ou de carton.
- Ont nettoyé la cheminée régulièrement.
- Faites attention de ne pas surchauffer l'appareil en laissant la porte ouverte trop longtemps après l'allumage initial. Un thermomètre sur le conduit de raccordement ou sur le dessus de l'appareil serait utile.
- Si équipé, toujours faire fonctionner l'appareil avec le vouchon de cendres installée.

EN CAS DE FEU DE CHEMINÉE:

- Fermez la porte vitrée et la prise d'air de l'appareil (et l'amortisseur, si équipé).
- Ayez un plan d'évacuation bien compris de tous et désignez un lieu de rassemblement à l'extérieur. Préparez-vous à évacuer les lieux pour assurer la sécurité de chacun.
- Appelez votre service d'incendie. Ayez un extincteur sous la main. Contactez les autorités locales pour savoir quoi faire en cas de feu de cheminée.
- Après que le feu de cheminée est éteint et avant d'allumer un autre feu, nettoyez et inspectez la cheminée pour des signes de détérioration ou des fissures. Vérifiez également les matériaux combustibles autour de la cheminée et du toit.

7.4 nettoyage de cheminée

La cheminée et l'appareil doivent être inspectés et nettoyés s'il y a lieu au moins une fois l'an.

En cas d'utilisation fréquente du chauffage au bois, le nettoyage de la cheminée doit être fait au besoin pour éviter des feux de cheminée. Les systèmes d'évacuation des appareils à combustion contrôlée peuvent nécessiter un nettoyage aussi fréquent qu'une fois par mois. Cependant, cette fréquence dépend des habitudes de chauffage de la personne qui utilise l'appareil. À titre d'exemple, il est possible d'obstruer la cheminée d'un appareil à combustible solide en quelques jours si l'appareil brûle lentement et que la cheminée est froide.

note:

Les utilisateurs qui font toujours des feux chauds auront rarement d'importantes accumulations de crésote dans la cheminée.

Lors du nettoyage de la cheminée, certains éléments doivent être considérés :

- Les outils appropriés doivent être utilisés, incluant une brosse spécialement conçue pour le ramonage de la cheminée.
- Les conduits de raccordement, le registre et la cheminée doivent être nettoyés.
- La chambre de combustion et les déflecteurs doivent être nettoyés au besoin.
- La cheminée doit être inspectée et réparée au besoin, de préférence par un ramoneur ou un maçon qualifié.

! AVERTISSEMENT

- N'utilisez pas de matériaux de substitution.
- La vitre peut être chaude, ne touchez pas la vitre jusqu'à ce qu'elle ait refroidi.
- Usez de prudence lorsque vous enlevez et jetez des débris de verrou des composants endommagés. Assurez-vous d'aspirer tous les débris de verre à l'intérieur de l'appareil avant de le faire fonctionner.
- Ne frappez pas, ne claquez pas et n'égratinez pas la porte vitrée. Ne faites pas fonctionner l'appareil lorsque la porte vitrée est enlevée, fissurée, brisée ou égratignée

1. Lorsque l'appareil est refroidi, demandez à deux personnes de retirer la porte et la placez face vers le bas sur une surface douce et non-abrasive (voir la section « enlèvement de porte »). Faites attention de ne gratter pas la peinture.
2. Retirez les 6 vis servant à fixer les supports du verre (**Fig. 7-1**). Mettez de côté les vis et les supports de verre.
3. Retirez tout le verre brisé et le joint d'étanchéité vieux.
4. Appliquez **silicone de haut température** (non fourni) dans la rainure de joint d'étanchéité comme illustré (**Fig. 7-2**).
5. Coupez le joint d'étanchéité de 1/4" gasket (fourni) à taille et le placez au dessus du silicone. Appuyez le joint d'étanchéité fermement d'assurer qu'il reste en place. Assurez-vous que le jonction de joint d'étanchéité face vers le bas comme illustré (**Fig. 7-2**).

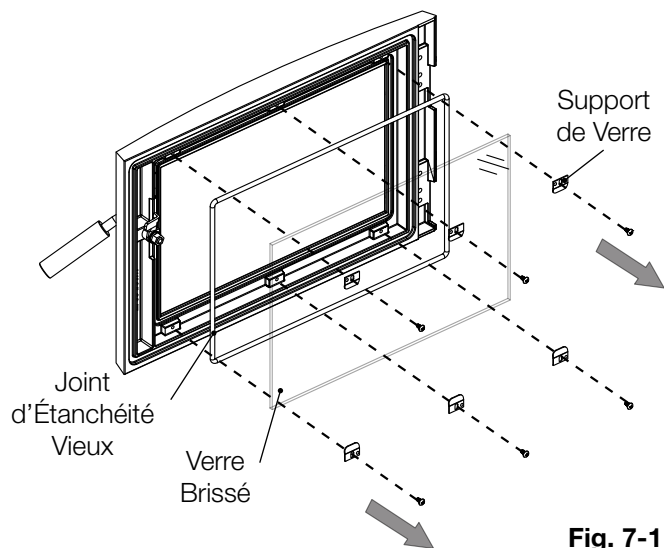


Fig. 7-1

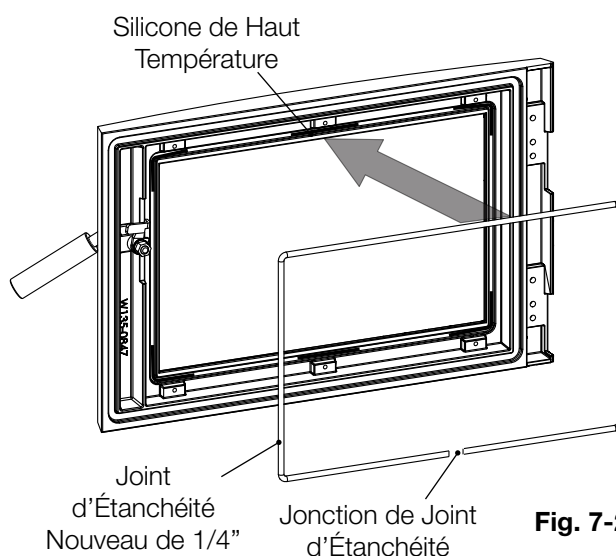


Fig. 7-2

6. Placez le verre nouveau au dessus du joint d'étanchéité.
7. Fixez encore les 6 supports de verre en installant les 6 vis précédemment retirés en étape 2 (**Fig. 7-3**). Assurez-vous que les fossettes des support face en la direction opposé du verre.

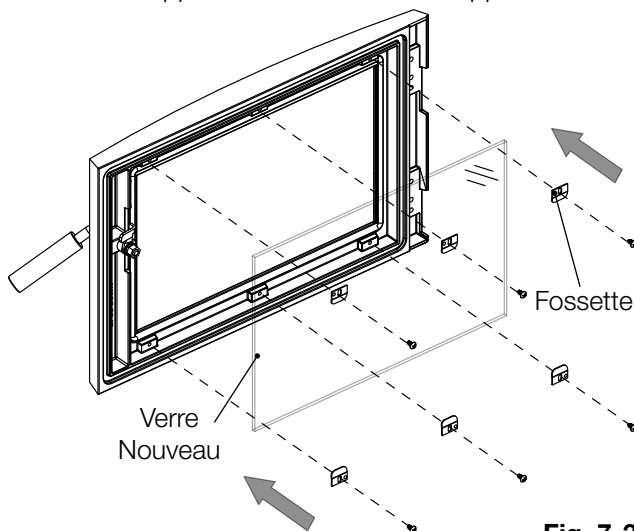


Fig. 7-3

8. Réinstallez la porte.

7.6 soins de verre

! AVERTISSEMENT

- Ne pas nettoyer la vitre lorsqu'elle est chaude! N'employez pas de détergents abrasifs pour nettoyer la vitre.

Si vous ne nettoyez pas les dépôts régulièrement, la vitre risque de rester marquée en permanence. Normalement, un feu très chaud maintiendra la vitre propre. Les raisons les plus fréquentes pour lesquelles la vitre se salit sont:

- Trop peu de combustible est utilisé pour réchauffer suffisamment l'appareil.
- L'utilisation de bois vert ou humide.
- Le contrôle de combustion est trop fermé, créant une insuffisance d'air pour réaliser une combustion complète.

S'il est nécessaire de nettoyer la vitre, utilisez un linge doux avec un nettoyeur sans abrasif. Nettoyez la vitre avec un nettoyeur recommandé après les dix premières heures de fonctionnement. Par la suite, nettoyez aussi souvent qu'il le faudra.

La vitre est très résistante, mais ne laissez pas de bois en combustion s'appuyer contre elle. Fermez toujours la porte doucement.

NE FORCEZ JAMAIS POUR LA FERMER!

Ne pas faire fonctionner l'appareil avec la verre brisé, les fuites de gaz de combustion peut résulter.

Contactez votre détaillant local autorisé pour les instructions de nettoyage complètes.

Si la vitre devait fissurer pendant que le feu brûle, n'ouvrez pas la porte jusqu'à ce que le feu s'éteigne et n'utilisez pas l'appareil jusqu'à ce que la vitre ait été remplacée par une nouvelle, disponible chez votre détaillant autorisé. **N'UTILISEZ PAS DE MATÉRIAUX SUBSTITUTS.**

L'appareil est muni d'une 5mm en verre céramique. Remplacez uniquement avec une pièce pour le foyer disponible chez votre détaillant autorisé. **N'UTILISEZ PAS DE MATÉRIAUX SUBSTITUTS.**



7.7 remplacement de joint d'étanchéité de porte

1. Lorsque l'appareil est refroidi, retirez la porte et la placez face vers le bas sur une surface douce et non-abrasive (voir la section « enlèvement de porte »). Faites attention de ne gratter pas la peinture.
2. Appliquez le **silicone de haut température** (non fourni) dans la rainure de joint d'étanchéité comme illustré (**Fig. 7-4**).
3. Coupez le joint d'étanchéité de 1/2" (fourni) à taille et le placez au dessus du silicone. Appuyez le joint d'étanchéité fermement pour assurer qu'il reste en place. Assurez-vous que le jonction du joint d'étanchéité face vers le bas comme illustré (**Fig. 7-4**).
4. Réinstallez la porte.

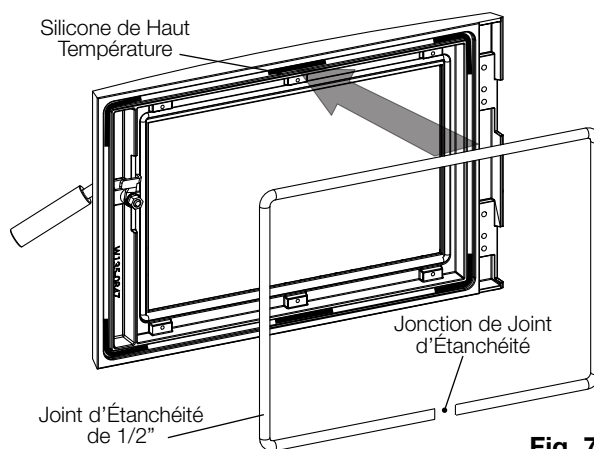


Fig. 7-4

! AVERTISSEMENT

- Cet appareil est conçu de brûler bois naturel seulement. Ne brûlez pas du bois traité, du charbon, du papier de couleur, du carton, du solvant, ou des déchets. Cet appareil n'a pas été testé avec un ensemble de bûches à gaz non ventilées. Afin de réduire le risque d'incendie ou de blessure, n'installez pas d'ensemble de bûches à gaz non ventilées dans cet appareil.
- Les plus haute efficacité et les plus bas émissions résultent généralement lorsque vous brûlez du bois dur assaisonné et séché à l'air, en comparaison avec du bois mou ou du bois dur qui est trop vert ou fraîchement coupé.
- Le brûlant du bois mouillé et non-assaisonné peut causer l'accumulation excessive de la créosote. Une fois enflammé, elle peut causer un feu de cheminée qui peut résulter dans un incendie de la maison grave.
- Ne stockez pas du carburant dans le domaine du dégagement aux combustibles, ou dans l'espace requis pour le ravitaillement et l'enlèvement des cendres.

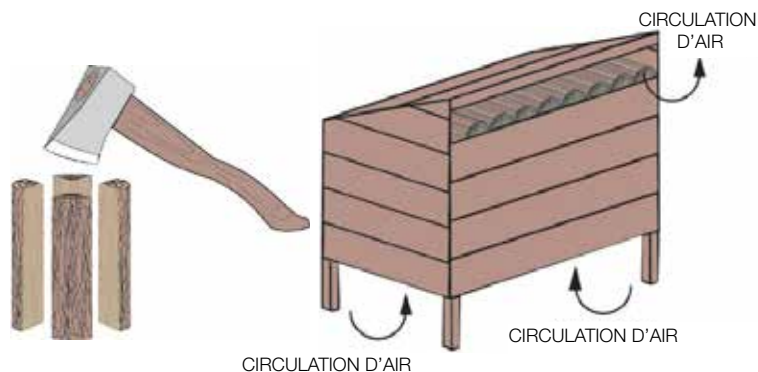
Avant de charger l'appareil, assurez-vous que tous les déflecteurs et l'isolation nécessaire (si applicable) sont installés et situés correctement. Pour assurer une efficacité maximale lorsque l'appareil est réchauffé, remplissez-le avec du bois jusqu'au maximum spécifié et brûlez en réglant à feu moyen-bas (si applicable). Des briques presque entièrement blanches et une vitre presque entièrement propre sont de bons indicateurs que votre appareil fonctionne efficacement. Lorsque vous ne brûlez que quelques bûches, l'appareil ne produira pas assez de chaleur ou le bois ne brûlera pas complètement.

note:

Les appareils qui sont entourés par les roches solides ou les briques connaîtront une période de chauffe plus longue car ceux matériaux absorbent la chaleur qui est généré.

TYPES DE BOIS

Le bois dur brûle aussi bien que le bois résineux dans cet appareil; par contre, le bois dur est plus dense, plus lourd, brûle plus lentement et plus longtemps. Les bûches artificielles obtenues par la compression de fibre de bois 100% naturelle peuvent être utilisées sans danger comme combustible. N'utilisez pas des bûches artificielles contenant des additifs comme de la paraffine, de la cire, des liants, etc. Ne brûlez jamais plus de deux bûches artificielles à la fois.



CONTIENT D'HUMIDITÉ

Ne brûlez que du bois propre, non peint et bien sec. Il produit plus de chaleur et moins de suie et de créosote. Le bois fraîchement coupé contient environ 50% d'humidité tandis qu'une fois séché, il n'en contient que 20%. Quand le bois brûle, l'eau bout en consommant une partie de l'énergie qui aurait dû produire de la chaleur. Plus le bois est humide, moins il y aura de chaleur et plus il y aura de créosote. Le bois sec a des craquelures dans les extrémités.

STOCKAGE DE BOIS

Bois de chauffage doit être divisé et empilés de façon à permettre la circulation de l'air complet et couverts au début du printemps pour être prêt pour la gravure de l'automne. Bois de chauffage sec a des fissures dans la fin du grain.

Coupez le bois de façon à ce qu'il puisse rentrer horizontalement, de l'arrière vers l'avant, dans l'appareil. Ceci facilite le chargement et il y aura moins de risque que le bois roule sur la vitre.

Le combustible pour l'appareil ne doit pas être entreposé à l'intérieur des dégagements minimaux aux matériaux combustibles (matériau sensible à la chaleur). **N'ENTREPOSEZ JAMAIS DE BOIS DANS LE COMPARTIMENT DU TIROIR À CENDRES (s'il y a lieu).**

AVERTISSEMENT

- Omettre de positionner les pièces conformément à ce manuel ou d'utiliser uniquement des pièces spécifiquement approuvées pour cet appareil peut causer des dommages matériels ou des blessures corporelles.

Contactez votre détaillant pour les questions concernant les prix et la disponibilité des pièces de remplacement. Normalement, toutes les pièces peuvent être commandées chez votre détaillant autorisé.

Pour un remplacement de pièce sous garantie, une photocopie de la facture originale sera requise afin de pouvoir honorer la demande.

Lorsque vous commandez des pièces, donnez toujours l'information suivante:

- Modèle et numéro de série de l'appareil
- Date d'installation de l'appareil
- Numéro de la pièce
- Description de la pièce
- Fini

Pièces, numéro des pièces et s'il soit disponible peut changer sans préavis.

Parties identifiées comme garnie seront livrés dans 2 à 5 jours pour la plupart des destinations de livraison.

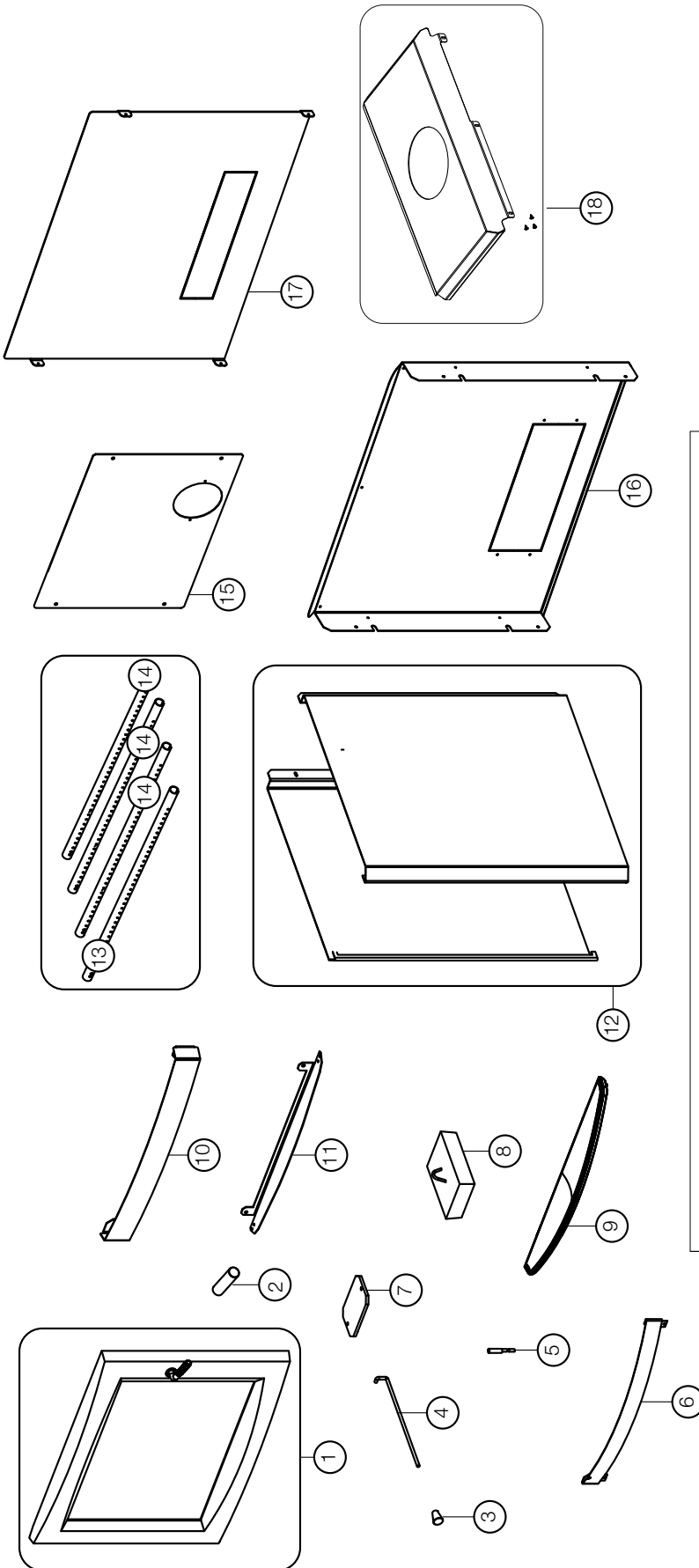
Pièces non identifiées que stockés seront livrés dans un délai de 2 à 4 semaines pour la plupart des cas.

Pièces identifiées comme « SO » sont commande spéciale et peuvent prendre jusqu'à 90 jours pour la livraison.

pièces de rechange

FR

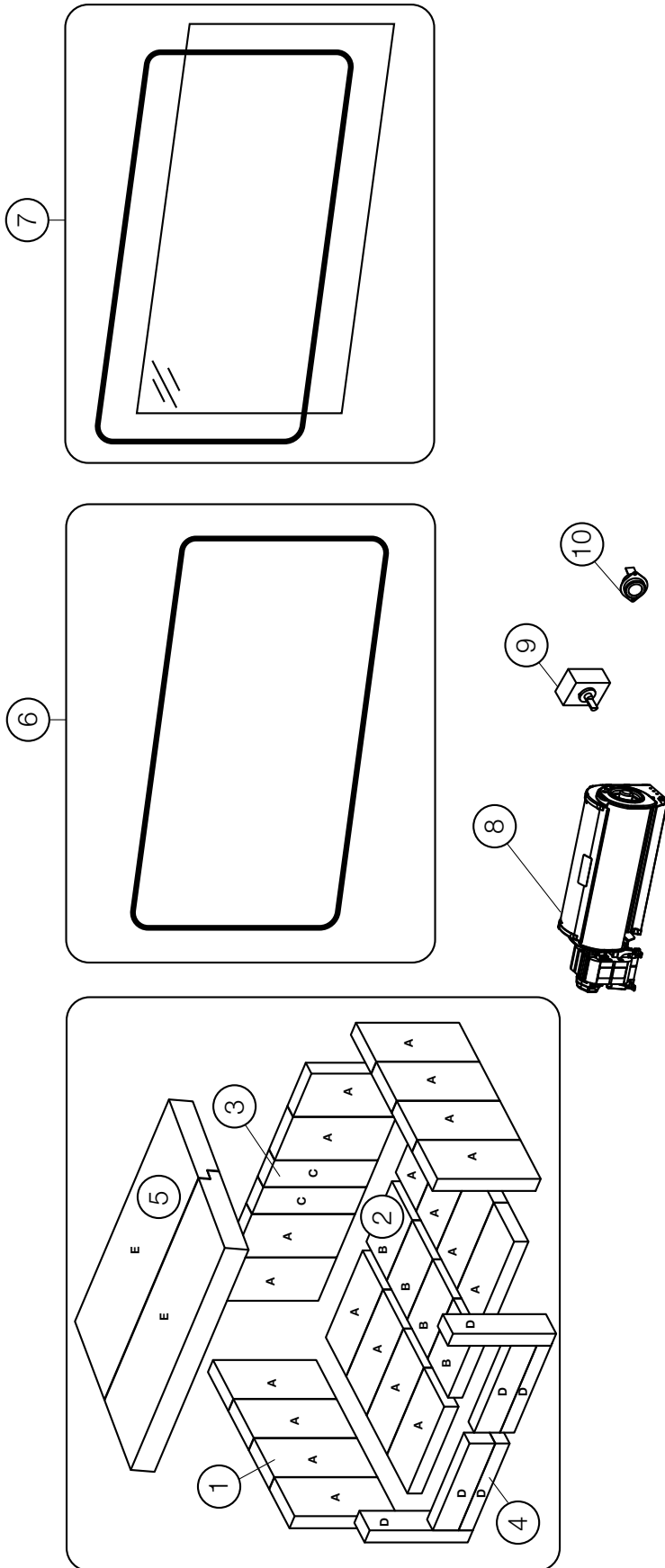
8.1 vue d'ensemble partie 1



Ces articles peuvent différer de ceux illustrés.

Ref.	No. de Pièce	Description	En Stock
1	W010-4823-SER	Assemblage de porte	
2	W325-0103	Poignée de porte avant	
3	W380-0034-SER	Bouton de commande d'air primaire	
4	W555-1019	Tige de contrôle d'air	
5	W485-0076-SER	Axe de charnière droit	
6	W200-0815-SER	Couvercle supérieur du tiroir à cendres	
7	W510-0023-SER	Plaque de recouvrement de cendres	
8	W510-0011-SER	Prise de cendres	
9	W135-0970-SER	Tablette à cendres	
Ref.	No. de Pièce	Description	En Stock
10	W200-0809-SER	Couvercle avant	
11	W200-0810-SER	Couvercle avant inférieur	
12	W585-0974-SER	Panneaux latéraux (gauche et droite)	
13	W720-0204-SER	Tuyau d'air secondaire (avant)	
14	W720-0205-SER	Tuyau d'air secondaire (arrière)	
15	W500-1076-SER	Plaque de piédestal arrière	
16	W585-0975-SER	Écran arrière	
17	W585-0976-SER	Écran de chaleur milieu	
18	W010-4901-SER	Assemblage de bouclier thermique supérieur	

8.2 vue d'ensemble partie 2

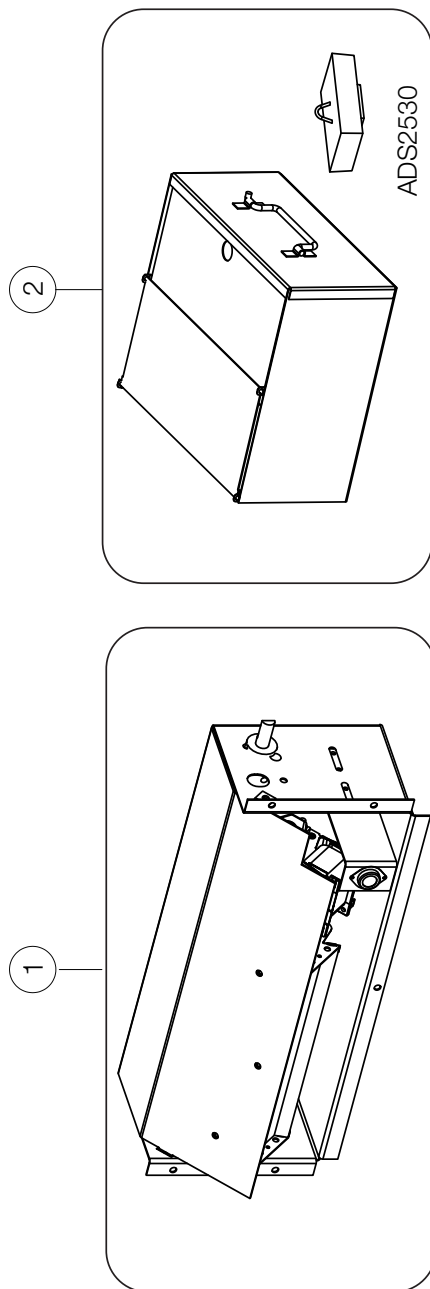


Ces articles peuvent différer de ceux illustrés.

Réf.	No. de Pièce	Description	En Stock
1	W090-0338	Brique, 1.250 x 4.500 x 9.000 (A)	
2	W090-0340	Brique, 1.250 x 6.250 x 4.500 (B)	
3	W090-0341	Brique, 1.250 x 2.625 x 9.000 (C)	
4	W090-0339	Brique, 1.250 x 2.252 x 9.000 (D)	Oui
5	W018-0241	Défecteur, fibre céramique (E)	Oui
6	W562-0043-SER	Kit, joint d'étanchéité de porte	Oui
7	W370-0227	Kit, verre et joint d'étanchéité	Oui
8	W067-0077-SER	Soufflerie, remplacement (6.5" circulation transversal)	Oui
9	KB-35	Interrupteur de vitesse variable	Oui
10	W690-0002	Thermodisque (capteur de chaleur)	Oui

9.0 accessoires

FR



Ces articles peuvent différer de ceux illustrés.

Réf.	No. de Pièce	Description	En Stock
1	NEP70	Ensemble de soufflerie	
2	ADS2530	Kit, élimination de cendres	
3 *	111KT	Kit d'air extérieur	

* Parties non illustré.

AVERTISSEMENT

- Coupez l'alimentation électrique avant de procéder à l'entretien de l'appareil.
- L'appareil peut être chaud, attendez qu'il soit refroidi avant d'en faire l'entretien.
- N'utilisez pas de produits d'entretien abrasifs.
- Lorsque vous vérifiez des connexions, que vous installez des fils de dérivation (pour effectuer des tests uniquement) ou que vous remplacez des composants, débranchez l'appareil du réceptacle afin d'éviter les chocs électriques ou des dommages aux composants.

symptôme	solutions
Le feu ne s'allume pas.	<p>Pas assez de bois d'allumage/de papier? Ajoutez-en.</p> <p>Pas assez d'air? Assurez-vous que le contrôle d'air est complètement ouvert.</p> <p>Blocage d'air froid? Brûlez un morceau de papier journal pour créer un tirage.</p> <p>Utilisez du bois bien sec de 20% d'humidité.</p> <p>Conduit obstrué? Inspectez la cheminée.</p>
Présence de fumée lorsque la porte est ouverte.	<p>Blocage d'air froid? Brûlez un morceau de papier journal pour créer un tirage.</p> <p>Tirage insuffisant? Ajoutez des conduits.</p> <p>Laissez l'air se stabiliser avant d'ouvrir la porte.</p> <p>Assurez-vous que les déflecteurs sont bien positionnés.</p> <p>Pression négative? Ouvrez une fenêtre située près de l'appareil.</p>
Une odeur se dégage de l'appareil.	<p>Cuisson de la peinture, voir la section « instructions générales ».</p>
L'appareil ne devient pas suffisamment chaud.	<p>Le bois a plus de 20% d'humidité.</p> <p>Tirage insuffisant? Ajoutez des conduits.</p> <p>Pas assez d'air? Assurez-vous que le contrôle d'air est complètement ouvert. Assurez-vous que le contrôle d'air n'est pas obstruée.</p>
Le bois brûle trop rapidement.	<p>Le contrôle d'air doit possiblement être réduit.</p> <p>Assurez-vous que le couvercle de la chute à cendres est bien installé (s'il en est muni).</p> <p>Vérifiez que le joint d'étanchéité de la porte est bien hermétique.</p> <p>Le bois peut être extrêmement sec.</p>
Vitre sale.	<p>Le contrôle d'air peut être trop fermé.</p> <p>Faites des deux plus chauds et plus petits.</p> <p>Utilisez du bois bien chevronné avec 20% d'humidité.</p>
La soufflerie ne fonctionne pas.	<p>L'appareil n'a peut-être pas atteint sa température.</p> <p>Assurez-vous que la soufflerie est bien branchée.</p>

11.0 garantie

FR

Les produits **Napoléon** sont fabriqués conformément aux normes strictes du Système de Gestion de la Qualité mondialement reconnu ISO 9001 : 2015.

Les produits **Napoléon** sont conçus avec des composants et des matériaux de qualité supérieure, assemblés par des artisans qualifiés qui sont fiers de leur travail. Une fois assemblé, chaque appareil est soigneusement inspecté par un technicien qualifié avant d'être emballé pour garantir que vous, le client, recevez le produit de qualité dont vous vous attendez de **Napoléon**.

Garantie à Vie Limitée du Président des appareils à bois Napoléon

Les matériaux suivants et la fabrication de votre nouveau poêle à bois **Napoléon** sont garantis contre les défauts tant que vous en êtes le propriétaire. Pour les appareils aux granules ceci couvre: le réservoir à granules, le caisson extérieur, la vitre en céramique (cassure thermique seulement) et le tiroir à cendres.* Pour les appareils à bois ceci couvre: la chambre de combustion, l'échangeur de chaleur, l'attache du déflecteur en acier inoxydable, la vitre en céramique (cassure thermique seulement), les pièces plaquées or contre le ternissement, les composants en porcelaine émaillée, les moules d'extrusion en aluminium, déflecteurs vortex, le tiroir à cendres et les pièces moulées en fonte.*

Pour l'appareil aux granules la chambre de combustion et l'échangeur de chaleur sont garantis contre les défauts pour une période de 5ans. Pour les appareils à bois équipée avec une système de guillotine du porte/écran il sera garanti contre les défauts pour une période de 5ans.

Les composants électriques (110V) et les pièces soumises à l'usure sont couverts et **Napoléon** fournira gratuitement les pièces de rechange durant la première année de la garantie limitée. Pour les appareils aux granules ceci couvre: la soufflerie, l'interrupteur thermique et le tiroir à cendres.* Pour les appareils à bois ceci couvre: la soufflerie, l'interrupteur thermique, les interrupteurs, l'installation électrique, les briques réfractaires, tuyaux d'air secondaires et les joints d'étanchéité.*

Les coûts de main-d'oeuvre relatifs aux réparations garanties sont couverts gratuitement durant la première année, avec l'exception du système de guillotine du porte/écran qui sera couverts gratuitement pour une période de 3 ans. Cependant, les travaux de réparation nécessitent l'approbation préalable d'un représentant autorisé de la compagnie. Les coûts de main-d'oeuvre à la charge de **Napoléon** sont basés sur un programme de tarifs prédéterminés et tout travail de réparation doit être accompli par l'entremise d'un détaillant autorisé **Napoléon**.

Les pièces telles que les briques réfractaires et les déflecteurs devraient être retirées occasionnellement par l'opérateur dans le cadre d'un entretien normal. Par conséquent, les coûts de main-d'oeuvre associés au remplacement de l'une de ces pièces ne sont pas couverts par la garantie.

* La fabrication de chaque modèle varie. La garantie s'applique uniquement aux composants disponibles avec votre appareil.

Conditions et Limitations

Napoléon garantit ses produits contre les défauts de fabrication à l'acheteur d'origine seulement. L'enregistrement de la garantie n'est pas nécessaire. Fournissez simplement une preuve d'achat ainsi que le modèle et le numéro de série afin d'effectuer une réclamation de garantie.

L'achat doit avoir été fait par l'entremise d'un détaillant **Napoléon** autorisé et sous réserve des conditions et limitations suivantes:

La couverture de la garantie débute à partir de la date d'installation originale.

Cette garantie du fabricant n'est pas transférable et ne peut être prolongée ou étendue par aucun de nos représentants quelle qu'en soit la raison.

L'appareil à bois doit être installé par un installateur autorisée qualifié, une agence de service ou fournisseur. L'installation doit être faite conformément aux instructions d'installation incluses avec le produit et à tous les codes d'incendie et de construction locaux et nationaux.

Cette garantie limitée ne couvre pas les dommages causés par un mauvais usage, un manque d'entretien, un accident, des altérations, des abus ou de la négligence, et l'installation de pièces d'autres fabricants annulera cette garantie.

Cette garantie limitée ne couvre pas les dommages causés par un mauvais usage, un manque d'entretien, un accident, des altérations, des abus ou de la négligence, et l'installation de pièces d'autres fabricants annulera cette garantie.

Faire fonctionner l'appareil au réglage maximal pendant des périodes prolongées constitue de la négligence. L'installation de pièces d'autres fabricants annulera cette garantie.

Cette garantie limitée ne couvre pas non plus les égratignures, le bossellement, la corrosion ou la décoloration causée par une chaleur excessive, des produits d'entretien chimiques et abrasifs ou l'écaillage des pièces en porcelaine émaillée, le bris de tout composant de ventilation utilisé dans l'installation de l'appareil.

Au cours de la première année seulement, cette garantie s'étend à la réparation ou au remplacement des pièces garanties dont les matériaux ou la fabrication sont défectueux sous condition que le produit ait été utilisé conformément aux instructions de fonctionnement et dans des conditions normales.

Après la première année, concernant cette Garantie à Vie Limitée du Président, **Napoléon** peut, à sa discrétion, se libérer entièrement de toutes obligations en ce qui concerne cette garantie en remboursant à l'acheteur d'origine le prix de gros de toute pièce garantie qui est défectueuse.

Après la première année, **Napoléon** ne sera pas responsable de l'installation, de la main-d'oeuvre ou autres coûts ou dépenses relatives à la réinstallation d'une pièce garantie et de telles dépenses ne sont pas couvertes par cette garantie.

Nonobstant toutes les dispositions contenues dans cette Garantie à Vie Limitée du Président, la responsabilité de **Napoléon** sous cette garantie est définie comme ci-dessus et elle ne s'étendra à aucun dommage accidentel consécutif ou indirect.

Cette garantie définit l'obligation et la responsabilité de **Napoléon** en ce qui concerne l'appareil à bois **Napoléon**. Toute autre garantie énoncée ou implicite en ce qui concerne ce produit, ses composants ou accessoires est exclue.

Napoléon n'endosse ni n'autorise aucun tiers à assumer en son nom toute autre responsabilité concernant la vente de ce produit. **Napoléon** ne sera pas responsable d'une surchauffe, des refoulements, des déversements causés par des conditions environnementales telles que des toits, des bâtiments, la proximité d'arbres, de collines, de montagnes, une ventilation ou des événements inadéquats, des configurations d'évacuation excessives, un apport d'air insuffisant ou des pressions négatives qui peuvent ou non être causés par des systèmes mécaniques tels que les ventilateurs d'évacuation, les fournaies, les sèche-linge, etc.

Tout dommage causé à l'appareil, à la chambre de combustion, à l'échangeur de chaleur, aux garnitures plaquées ou autres composants par l'eau, les dommages causés par les intempéries, de longues périodes d'humidité, la condensation, des produits chimiques ou produits d'entretien nuisibles ne seront pas la responsabilité de **Napoléon**.

Le nettoyage régulier de la fine cendre générée durant le fonctionnement de cet appareil est nécessaire au bon entretien de votre appareil aux granules. Tout dommage aux composantes qui est attribuable à un manque d'entretien ne sera pas couvert par cette garantie.

Napoléon se réserve le droit de demander à son représentant d'inspecter tout produit ou pièce avant d'honorer toute réclamation.

Toutes les pièces remplacées en vertu de la politique de Garantie à vie limitée du Président ne peuvent faire l'objet que d'une seule réclamation.

Durant les dix premières années, **Napoléon** remplacera ou réparera les pièces défectueuses qui sont couvertes par la garantie à vie limitée à sa discrétion gratuitement. Après les dix premières années, **Napoléon** fournira les pièces de rechange à 50 % du prix de détail courant.

Toutes les pièces remplacées au titre de la garantie seront couvertes pour une période de 90 jours à partir de leur date d'installation.

Le fabricant peut exiger que les pièces défectueuses ou les produits soient retournés ou que des photos numériques soient fournies pour valider la réclamation. Les produits retournés doivent être expédiés port payé au fabricant pour une inspection en usine. Si un produit est déclaré défectueux, le fabricant le réparera ou le remplacera.

Avant d'expédier votre appareil ou les pièces défectueuses, votre détaillant doit obtenir un numéro d'autorisation. Toute marchandise expédiée à notre usine sans autorisation sera refusée et retournée à l'expéditeur.

Les coûts d'expédition ne sont pas couverts par cette garantie.

Des frais de service supplémentaires peuvent être appliqués si vous cherchez à obtenir des services au titre de la garantie auprès d'un détaillant.

Les indemnités de main-d'oeuvre au titre de la garantie s'appliquent uniquement pour le remplacement d'une pièce garantie. Les frais de déplacement, de tests de diagnostic, d'expédition et autres frais afférents ne sont pas couverts par cette garantie.

Toutes les spécifications et les conceptions sont sujet à modifications sans préavis en raison des améliorations constantes apportées au produit.

Napoléon est une marque de commerce déposée de Wolf Steel Ltée.

NAPOLÉON CÉLÈBRE PLUS DE 40 ANS D'EXISTENCE CONSCRÉS À LA CONCEPTION DE PRODUITS DE CONFORT



7200, Route Transcanadienne, Montréal, Québec H4T 1A3
24 Napoleon Road, Barrie, Ontario, Canada L4M 0G8
214 Bayview Drive, Barrie, Ontario, Canada L4N 4Y8
103 Miller Drive, Crittenden, Kentucky, USA 41030
De Riemsdijk 22, 4004 LC Tiel, Pays-Bas

Téléphone: 1-866-820-8686

napoleon.com