



PRIMO II 72 Double-Sided

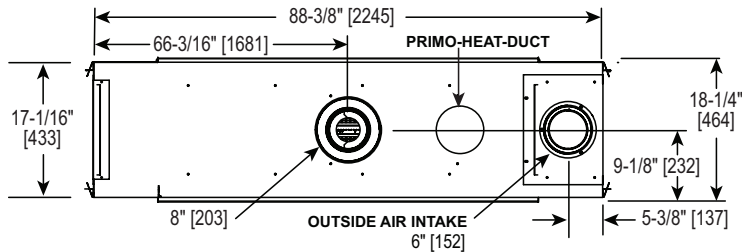
Direct Vent Gas Fireplace

Scan QR code for installation manual for final dimensions and requirements.

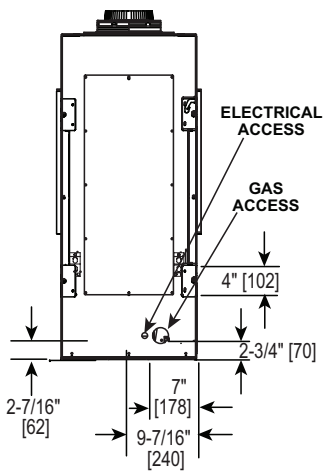


ACTUAL DIMENSIONS	FRONT WIDTH	HEIGHT	DEPTH	GLASS SIZE	BTU/HOUR INPUT
	88-3/8" [2245]	40-13/16" [1037]	18-1/4" [464]	72" x 18" [1829 X 457]	42,000 - 58,500 BTUs (NG) 40,500 - 55,000 BTUs (LP)

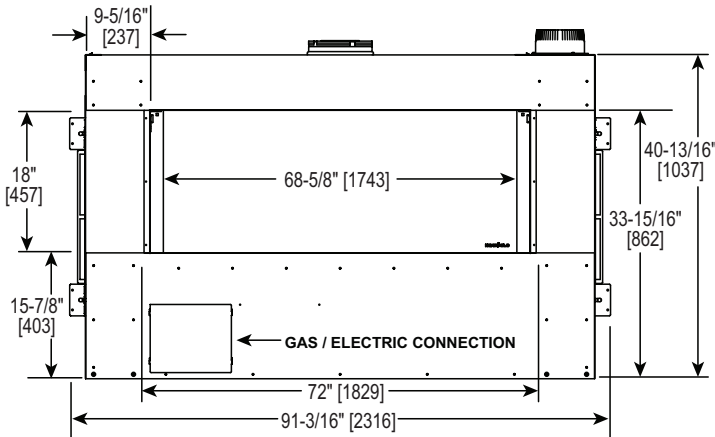
TOP VIEW



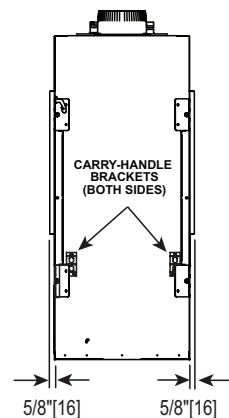
LEFT SIDE



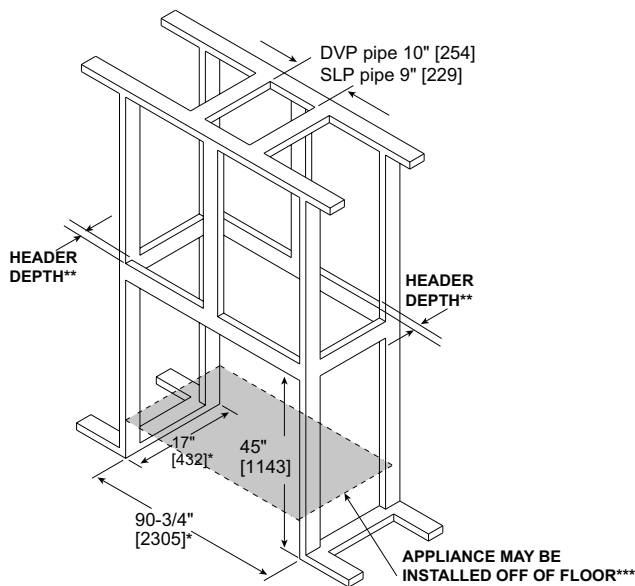
FRONT VIEW



RIGHT SIDE

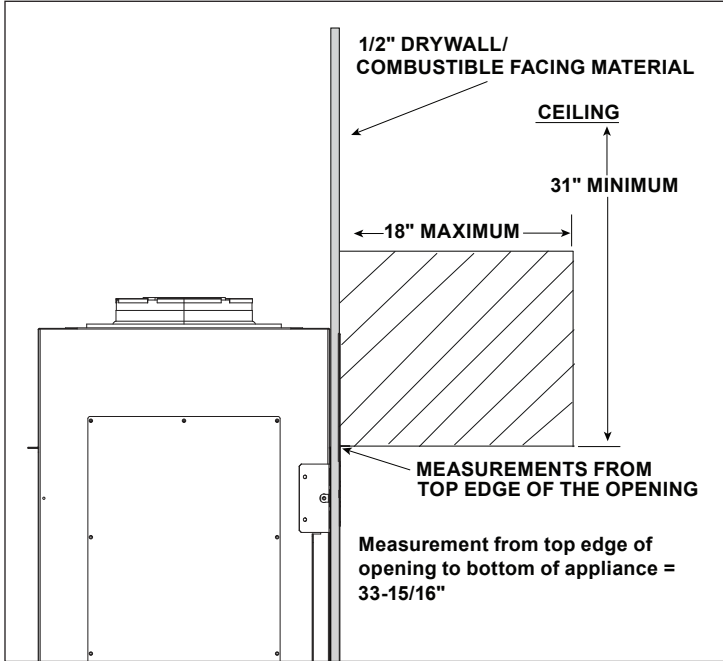


FRAMING DIMENSIONS	FRONT WIDTH	HEIGHT	DEPTH	WEIGHT
	90-3/4" [2305]	45" [1143]	17" [432]	474 LBS [215 KGS]

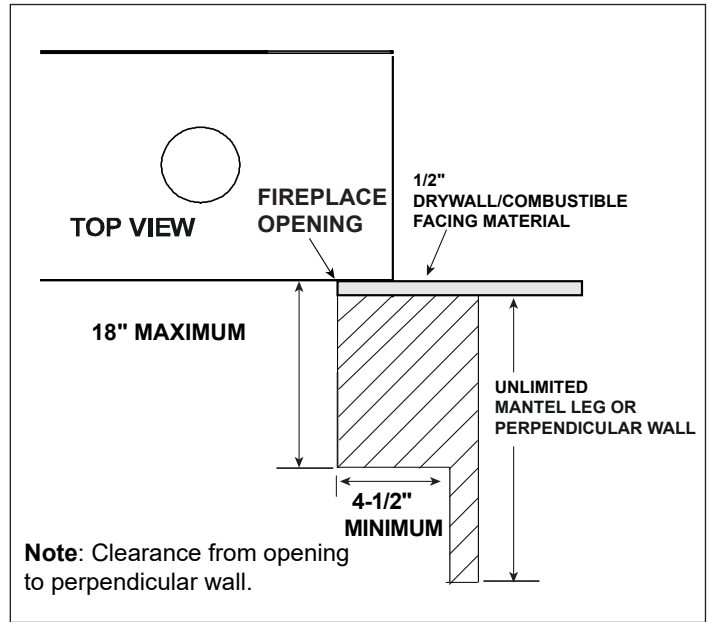


*Adjust framing dimensions for interior sheathing (such as 1/2" drywall)
 ** Header depth not to exceed 5-1/2". If header depth is greater than 3-1/2", header must be notched in order to maintain clearance to pipe.
 *** If appliance is installed off of floor, maintain required clearances to combustibles. Construct platform in accordance to local building codes.

COMBUSTIBLE OR NON-COMBUSTIBLE MANTELS

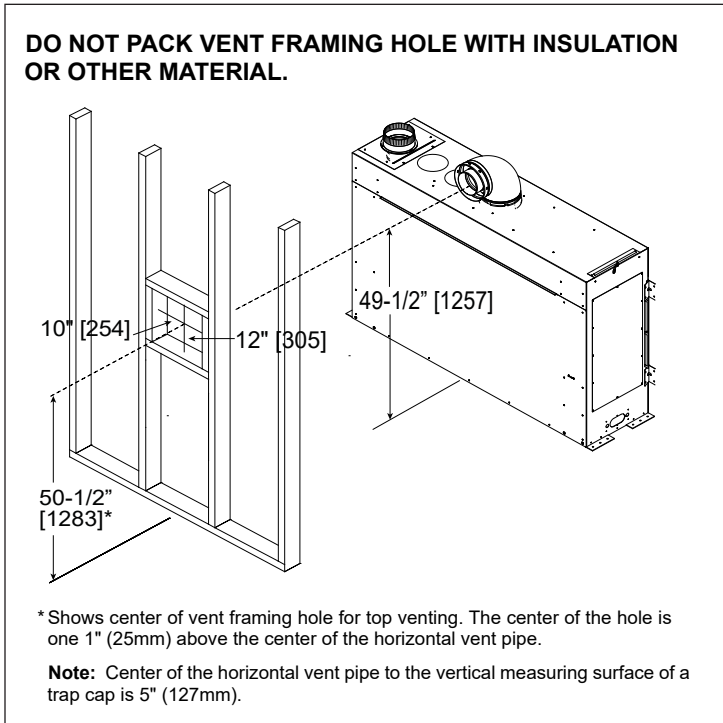


**COMBUSTIBLE OR NON-COMBUSTIBLE
MANTEL LEGS OR WALL PROJECTIONS**



WALL PENETRATION

**DO NOT PACK VENT FRAMING HOLE WITH INSULATION
OR OTHER MATERIAL.**



PRODUCT LISTING CODES	
US	ANSI Z21.50-2019
CAN	CSA 2.22-2019

Product information provided is not complete and is subject to change without notice. Product installation must adhere strictly to instructions accompanying product to avoid risk of fire and potential injury.



HEAT & GLO

No one builds a better fire

Heat & Glo — A Brand of Hearth & Home Technologies

7571 215th Street West | Lakeville, MN 55044
877-486-9123 | heatnglo.com