



PRIMO II 48 Double-Sided

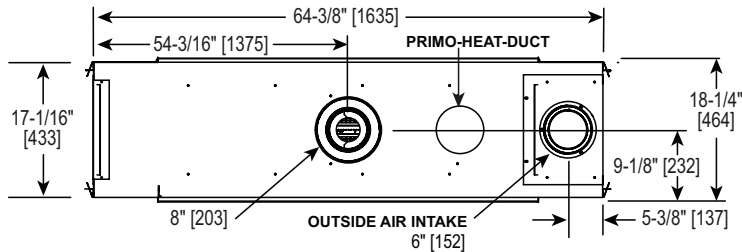
Direct Vent Gas Fireplace

Scan QR code for installation manual for final dimensions and requirements.

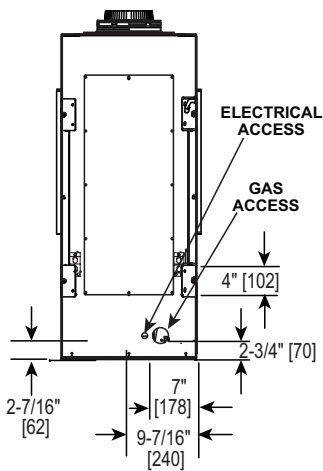


ACTUAL DIMENSIONS	FRONT WIDTH	HEIGHT	DEPTH	GLASS SIZE	BTU/HOUR INPUT
	64-3/8" [1635]	40-13/16" [1037]	18-1/4" [464]	48" x 18" [1219 X 457]	31,500 - 45,000 BTUs (NG) 31,000 - 42,000 BTUs (LP)

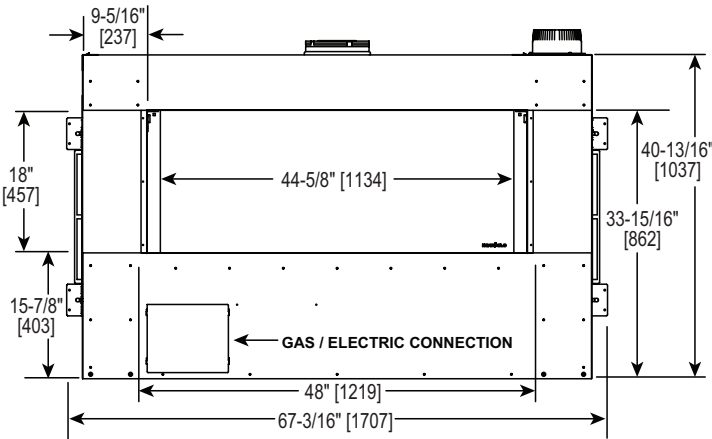
TOP VIEW



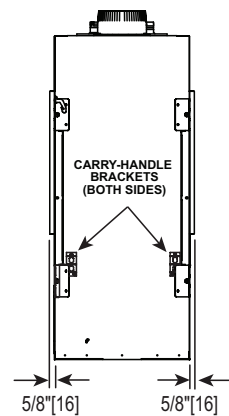
LEFT SIDE



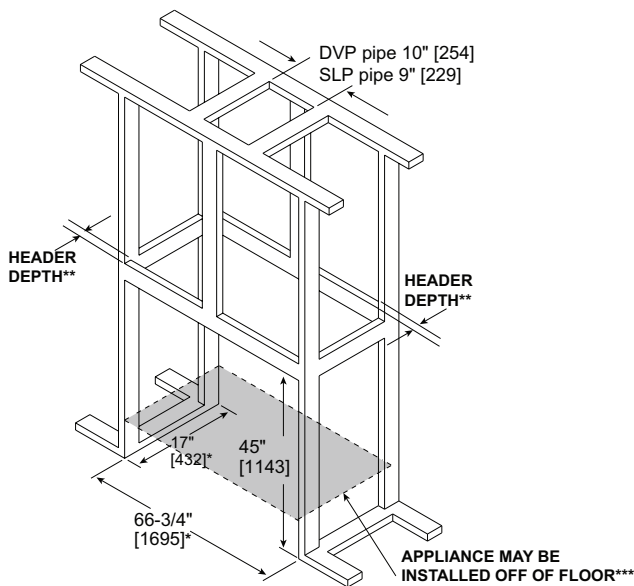
FRONT VIEW



RIGHT SIDE



FRAMING DIMENSIONS	FRONT WIDTH	HEIGHT	DEPTH	WEIGHT
	66-3/4" [1695]	45" [1143]	17" [432]	379 LBS [172 KGS]

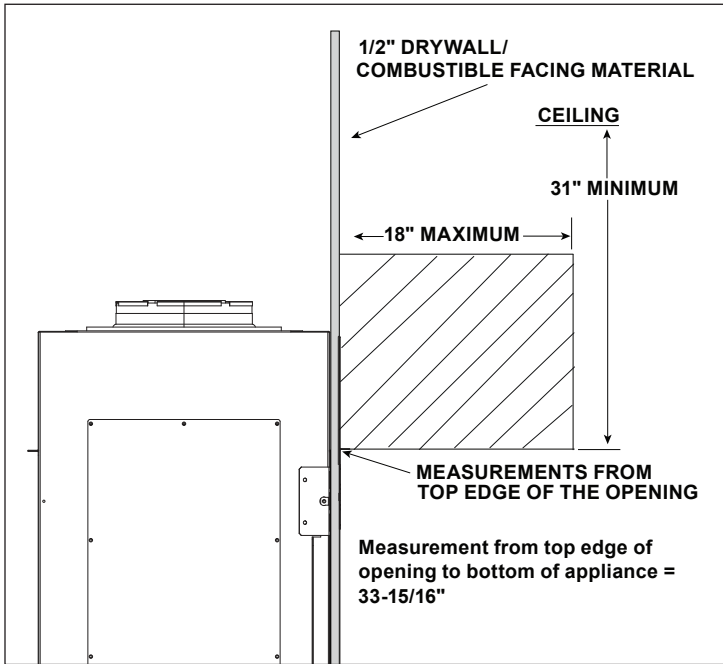


*Adjust framing dimensions for interior sheathing (such as 1/2" drywall)

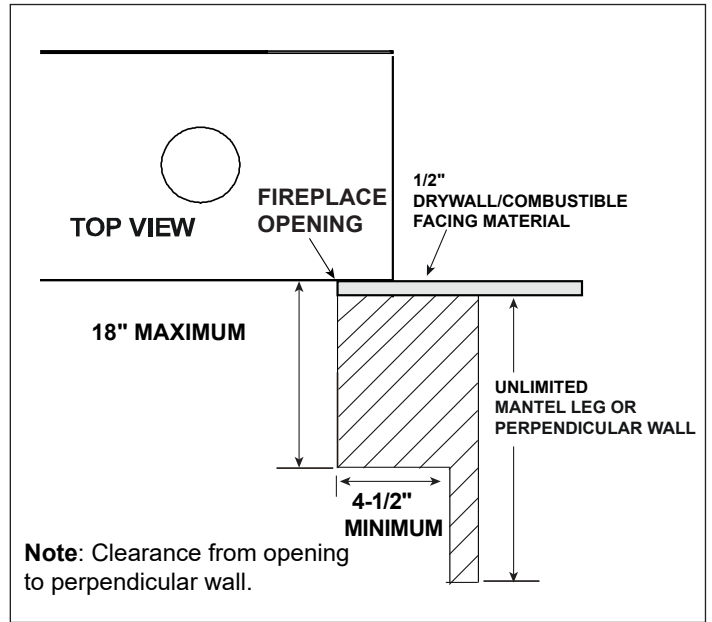
** Header depth not to exceed 5-1/2". If header depth is greater than 3-1/2", header must be notched in order to maintain clearance to pipe.

*** If appliance is installed off of floor, maintain required clearances to combustibles. Construct platform in accordance to local building codes.

COMBUSTIBLE OR NON-COMBUSTIBLE MANTELS

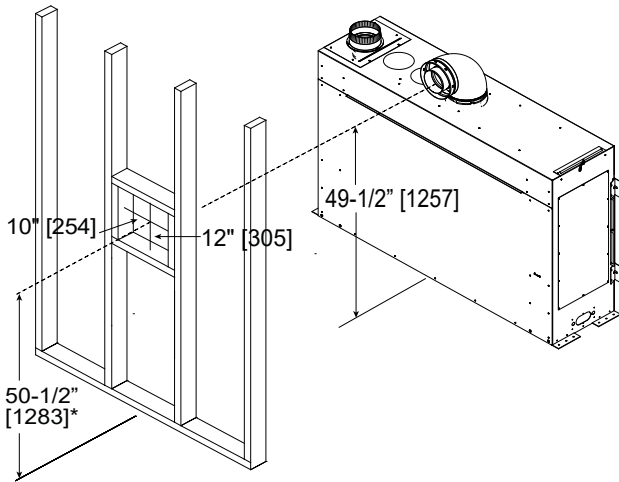


COMBUSTIBLE OR NON-COMBUSTIBLE MANTEL LEGS OR WALL PROJECTIONS



WALL PENETRATION

DO NOT PACK VENT FRAMING HOLE WITH INSULATION OR OTHER MATERIAL.



* Shows center of vent framing hole for top venting. The center of the hole is one 1" (25mm) above the center of the horizontal vent pipe.

Note: Center of the horizontal vent pipe to the vertical measuring surface of a trap cap is 5" (127mm).

PRODUCT LISTING CODES	
US	ANSI Z21.50-2019
CAN	CSA 2.22-2019

Product information provided is not complete and is subject to change without notice. Product installation must adhere strictly to instructions accompanying product to avoid risk of fire and potential injury.



No one builds a better fire

Heat & Glo — A Brand of Hearth & Home Technologies

7571 215th Street West | Lakeville, MN 55044
877-486-9123 | heatnglo.com