

HEATING INSTALLATION INSTRUCTIONS CONTINUED...

CEILING RECESS (SOLD SEPARATELY)

⚠ WARNING

Instructions below are suitable for ceiling surfaces 0.4-1.2" thick. For ceiling surfaces thicker than 1.2", contact Bromic for alternative installation options.

⚠ WARNING

The heater shall, under no circumstance, be covered with insulating material or similar material.

⚠ WARNING

Individual clearances to combustibles are fixed minimums to each individual option and cannot be combined between Option 1 and Option 2

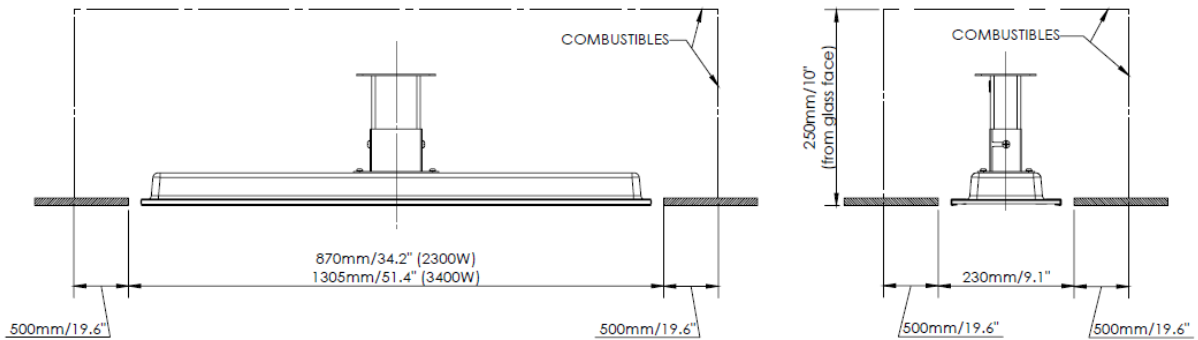
⚠ WARNING

The heater must be completely protected against water contact from above.

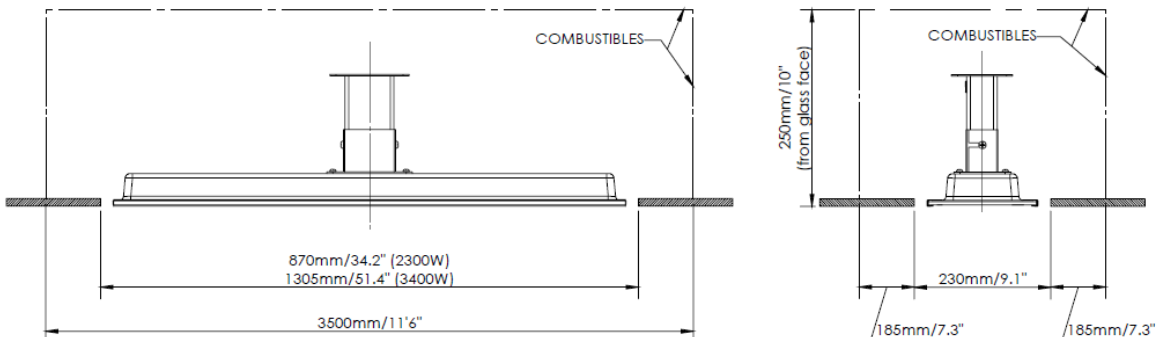
⚠ WARNING

Joists, beams and rafters shall not be cut or notched to install the heater.

CLEARANCE TO COMBUSTIBLES OPTION 1



CLEARANCE TO COMBUSTIBLES OPTION 2



HEATING INSTALLATION INSTRUCTIONS CONTINUED..

1. Prepare ceiling cut-out with dimensions from images on P.9 to fit ceiling recess frame (a). Heater must be installed with heater surface at least 2400mm above the floor level, with 500mm clearance to the nearest wall on all sides of the heater. Minimum distances to combustibles within cavity must be according to **only one** of the two options shown.

2. From below, bring ceiling frame up and into ceiling cutout. Fasten ceiling frame into cut-out at both ends and centre using appropriate screws (b). Which locator hole to use is dictated by the thickness of the ceiling surface. The fastening screws must be inserted into a strong material that can easily support the weight of the heater. Your installation may require re-enforcing before the frame can be safely installed.

3. Unscrew and remove plug-in wall bracket. Attach extra supplied cable gland into the same hole from the outside of the bracket. Fasten in place with metal cable gland nut from inside the bracket (c).

4. Feed heater power cable through cable gland from inside of wall bracket (d).

5. Ensure M6x14mm screws are inserted into either side of heater bracket with 6mm of the threaded shaft exposed under the screw head. (e).

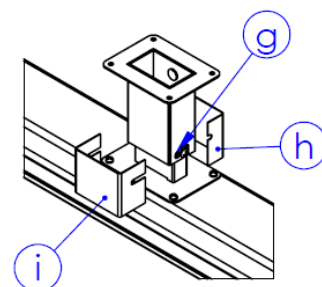
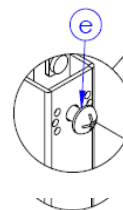
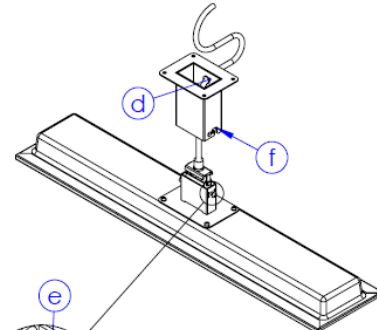
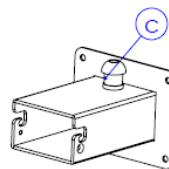
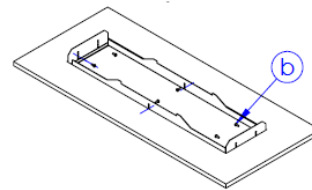
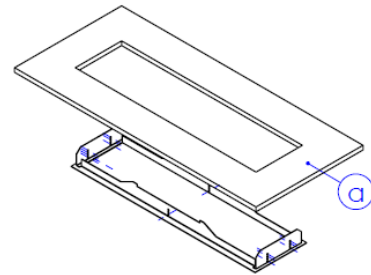
6. Insert heater bracket into mounting bracket by hooking M6 screws into place in mounting slots (f).

7. Fix heater to bracket in straight position using M4x10mm positioning screws on either side of mounting bracket (g). Ensure M6 screws are sitting fully in the mounting slots (as if the heater were hanging from the wall bracket).

8. Fit the smaller, straight cover over the heater bracket so that the slots pass over the shafts of the M6x14mm mounting screws (h). Fit the larger cover over the smaller cover in the same way from the opposite side of the bracket (i).

9. Tighten mounting screws firmly, ensuring covers fit snugly against the bracket on all sides (j).

10. Firmly tighten cable gland in wall bracket so that cable does not move when pulled.



HEATING INSTALLATION INSTRUCTIONS CONTINUED...

CEILING RECESS (SOLD SEPARATELY)

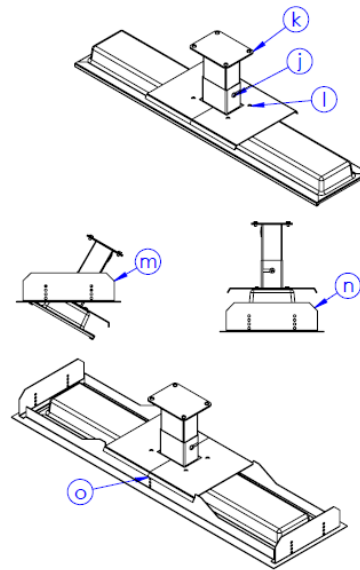
11. Attach the bracket end-cap to the wall bracket using the 4 M5 screws and nuts provided **(k)**.

12. Carefully remove the 4 M5 screws fastening the heater mounting bracket to the back of the heater. Be careful not to move or put any force on the bracket. Place the 2 halves of the ceiling recess mounting plate over the screwholes. Re-insert the screws & tighten firmly. **(l)**

13. Make electrical connection from heater to power supply. This is described under 'Electrical Installation'

14. Raise one long side of heater up into ceiling frame cavity & then raise whole heater into cavity. **(m)**

15. Rotate the heater into level position in the ceiling cavity **(n)** and then lower down onto the ceiling frame. Ensure the heater brackets are hooked over the ceiling frame and sitting in the slots on both sides. **(o)**



Platinum Electric 3400w heater recessing cavity option details:

Option 1

Height in cavity: 10" (from glass surface).

Total length of cavity (including heater): 90.6" aka 7'6" (19.6" + 51.4" + 19.6").

Total width of cavity (including heater): 48.3" aka 4' (19.6" + 9.1" + 19.6").

Option 2

Height in cavity: 10" (from glass surface).

Total length of cavity (including heater): 138" aka 11'6" (43.3" + 51.4" + 43.3").

Total width of cavity (including heater): 23.7" aka 1.97' (7.3" + 9.1" + 7.3").

Platinum Electric 2300w heater recessing cavity option details:

Option 1

Height in cavity: 10" (from glass surface).

Total length of cavity (including heater): 73.4" aka 6'1" (19.6" + 34.2" + 19.6").

Total width of cavity (including heater): 48.3" aka 4' (19.6" + 9.1" + 19.6").

Option 2

Height in cavity: 10" (from glass surface).

Total length of cavity (including heater): 138" aka 11'6" (43.3" + 34.2" + 43.3").

Total width of cavity (including heater): 23.7" aka 1.97' (7.3" + 9.1" + 7.3").

***NB: Keep in mind when doing this math that 7'6" means 7.5'. 0.5 means half, therefore half of a foot is 6" since a foot is 12".

Please see cut-out below for visual reference:

