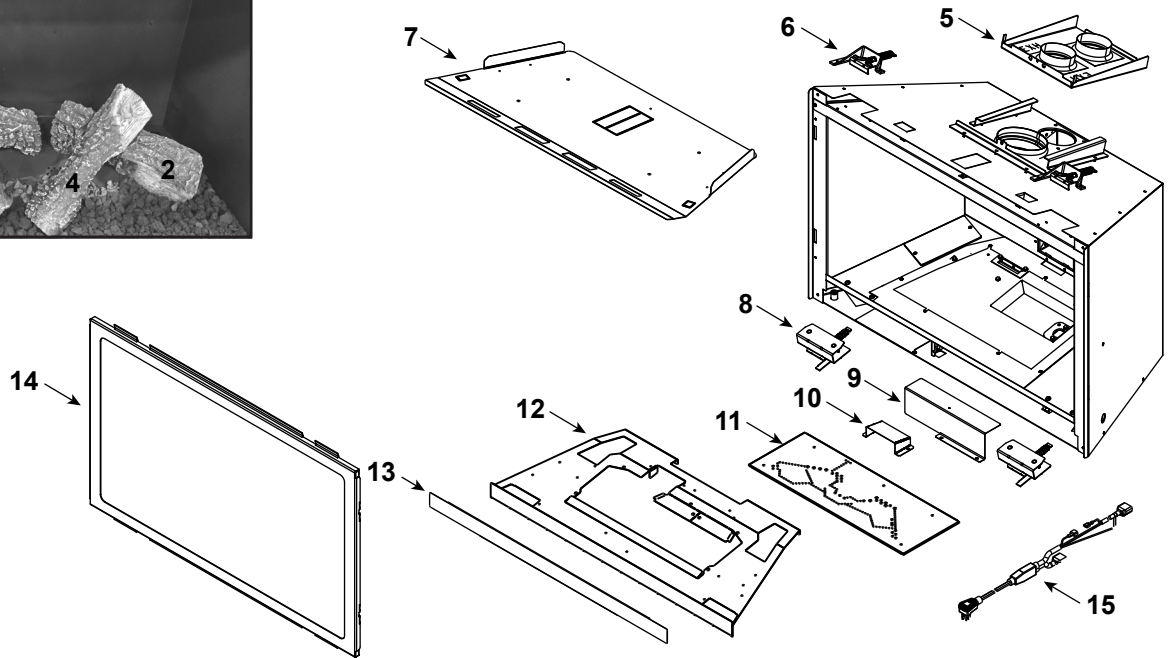
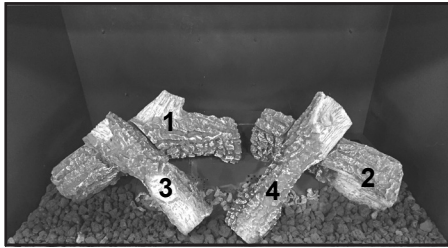


Log Set Assembly



IMPORTANT: THIS IS DATED INFORMATION. Parts must be ordered from a dealer or distributor. **Hearth and Home Technologies does not sell directly to consumers.** Provide model number and serial number when requesting service parts from your dealer or distributor.



Stocked at Depot

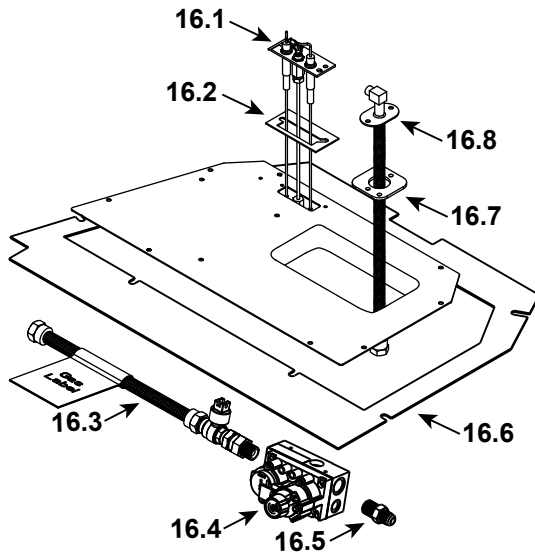
| ITEM | DESCRIPTION | COMMENTS | PART NUMBER | |
|------|-----------------------------------|-----------|-------------|---|
| | Log Assembly | | LOGS-2545 | Y |
| 1 | Log 1 | | SRV2545-711 | |
| 2 | Log 2 | | SRV2545-712 | |
| 3 | Log 3 | | SRV2534-713 | |
| 4 | Log 4 | | SRV2532-715 | |
| 5 | Slide Plate Assembly | | 2532-014 | |
| | Tool, Slide Plate (Multi-purpose) | | 2532-140 | |
| | Gasket | | 2532-113 | |
| 6 | Glass Clip Assembly, Top | Qty 2 req | 2155-046 | |
| 7 | Baffle, Firebox | | 2533-138 | |
| 8 | Glass Clip Assembly, Bottom | Qty 2 req | 2532-009 | |
| 9 | Air Scoop | | 2532-135 | |
| 10 | Pilot Shield | | 2532-153 | |
| 11 | Burner Assembly | | 2534-007 | Y |
| 12 | Base Pan | | 2545-130 | |
| 13 | Seal, Glass Frame | | 2533-122 | |
| 14 | Glass Door Assembly | | GLA-2533 | Y |
| 15 | Power Cord | | 2201-017 | Y |

No one builds a better fire

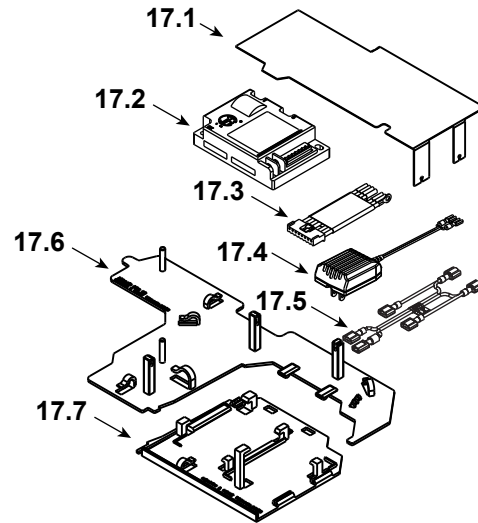
Beginning Manufacturing Date: March 2019

Ending Manufacturing Date: Active

#16 Valve Assembly



#17 Component Tray



IMPORTANT: THIS IS DATED INFORMATION. Parts must be ordered from a dealer or distributor. **Hearth and Home Technologies does not sell directly to consumers.** Provide model number and serial number when requesting service parts from your dealer or distributor.



**Stocked
at Depot**

| ITEM | DESCRIPTION | COMMENTS | PART NUMBER | Stocked at Depot |
|------|--------------------------|----------|-------------|------------------|
| 16.1 | Pilot Assembly NG | | 2550-013 | Y |
| | Pilot Assembly Propane | | 2550-014 | Y |
| 16.2 | Pilot Gasket | | 2532-134 | |
| 16.3 | Flex Ball Valve Assembly | | 2532-081 | Y |
| 16.4 | Valve NG | | 750-500 | Y |
| | Valve Propane | | 2155-501 | Y |
| 16.5 | Male Connector | Pkg of 5 | 303-315/5 | Y |
| 16.6 | Gasket, Valve Plate | | 2532-131 | |
| 16.7 | Gasket, Bulkhead | | 438-407 | |
| 16.8 | Bulkhead w/Flex Tube | | SRV7000-156 | Y |
| | Orifice NG (#35C) | | SRV582-835 | Y |
| | Orifice Propane (#51C) | | SRV582-851 | Y |
| 17.1 | Component Heat Shield | | 2541-144 | Y |
| 17.2 | IPI Control Module | | SRV593-592 | Y |
| 17.3 | Wire Assembly | | SRV593-590 | Y |
| 17.4 | 3V Transformer | | SRV593-593 | Y |
| 17.5 | Remote Wire Assembly | | 2103-013 | Y |
| 17.6 | Wire Tray | | 2534-171 | Y |
| 17.7 | Tray, Component | | 2534-170 | Y |

Additional service part numbers appear on following page.

