



OWNER'S MANUAL

Oakville™ Series
(GDI3EA illustrated)



For indoor use only

SAFETY INFORMATION

⚠ WARNING

FIRE OR EXPLOSION HAZARD

Failure to follow safety warnings exactly could result in serious injury, death, or property damage.

- Do not store or use gasoline or other flammable vapors and liquids in the vicinity of this or any other appliance.

- WHAT TO DO IF YOU SMELL GAS:


- Do not try to light any appliance.
- Do not touch any electrical switch; do not use any phone in your building.
- Immediately call your gas supplier from a neighbour's phone. Follow the gas supplier's instructions.
- If you cannot reach your gas supplier, call the fire department.
-

- Installation and service must be performed by a qualified installer, service agency, or the supplier.



WARNING

- This appliance is hot when operated and can cause severe burns if contacted.
- Any changes to this appliance or its control can be dangerous and are prohibited.
- Do not operate appliance before reading and understanding operating instructions. Failure to operate appliance according to operating instructions could cause fire or injury.
- Risk of fire or asphyxiation do not operate appliance with fixed glass removed.
- Do not connect 110 volts to the control valve.
- Risk of burns. The appliance should be turned off and cooled before servicing.
- Do not install damaged, incomplete or substitute components.
- Risk of cuts and abrasions. Wear protective gloves and safety glasses during installation. Sheet metal edges may be sharp.
- Children and adults should be alerted to the hazards of high surface temperature and should stay away to avoid burns or clothing ignition.
- Young children should be carefully supervised when they are in the same room as the appliance. Toddlers, young children, and others may be susceptible to accidental contact burns. A physical barrier is recommended if there are at risk individuals in the house. To restrict access to an appliance or stove, install an adjustable safety gate to keep toddlers, young children and other at risk individuals out of the room and away from hot surfaces.
- Clothing or other flammable material should not be placed on or near the appliance.
- Due to high temperatures, the appliance should be located out of traffic and away from furniture and draperies.
- Ensure you have incorporated adequate safety measure to protect infants/toddlers from touching hot surfaces.
- Even after the appliance is out, the glass and/or screen will remain hot for an extended period of time.
- Check with your local hearth specialty dealer for safety screens and hearth guards to protect children from hot surfaces. These screens and guards must be fastened to the floor.
- Any safety screen, guard or barrier removed for servicing the appliance, must be replaced prior to operating the appliance.
- The appliance is a vented gas-fired appliance. Do not burn wood or other materials in the appliance.
- The appliance area must be kept clear and free from combustible materials, gasoline and other flammable vapors and liquids.
- Under no circumstances should this appliance be modified.
- This appliance must not be connected to a chimney flue pipe serving a separate solid fuel burning appliance.
- Do not use this appliance if any part has been under water. Immediately call a qualified service technician to inspect the appliance and to replace any part of the control system and any gas control which has been under water.
- Do not operate the appliance with the glass door removed, cracked or broken. Replacement of the glass should be done by a licensed or qualified service person.
- Do not strike or slam shut the appliance glass door.
- When equipped with pressure relief doors, they must be kept closed while the appliance is operating to prevent exhaust fumes containing carbon monoxide, from entering into the home. Temperatures of the exhaust escaping through these openings can also cause the surrounding combustible materials to overheat and catch fire.
- Only doors / optional fronts certified with the unit are to be installed on the appliance.
- Keep the packaging material out of reach of children and dispose of the material in a safe manner. As with all plastic bags, these are not toys and should be kept away from children and infants.
- As with any combustion appliance, we recommend having your appliance regularly inspected and serviced as well as having a carbon monoxide detector installed in the same area to defend you and your family against carbon monoxide.
- Ensure clearances to combustibles are maintained when building a mantel or shelves above the appliance. Elevated temperatures on the wall or in the air above the appliance can cause melting, discoloration or damage to decorations, a T.V. or other electronic components.
- A barrier designed to reduce the risk of burns from the hot viewing glass is provided with this appliance and shall be installed.
- If the barrier becomes damaged, the barrier shall be replaced with the manufacturer's barrier for this appliance.
- Installation and repair should be done by a qualified service person. The appliance should be inspected before use and at least annually by a professional service person. More frequent cleaning may be required due to excessive lint from carpeting, bedding material, etc. It is imperative that control compartments, burners and circulating air passageways of the appliance be kept clean.

 WARNING: This product can expose you to chemicals including lead and lead compounds, which are known to the State of California to cause cancer, and chemicals including carbon monoxide, which are known to the State of California to cause birth defects or other reproductive harm. For more information, go to www.P65Warnings.ca.gov.

congratulations	4
1.0 getting to know your appliance	5
1.1 control access	6
1.2 rating plate information	6
2.0 operating your appliance	7
2.1 using your appliance	7
2.2 on/off components	7
2.2.1 changing the batteries	8
3.0 operation	10
3.1 extreme cold lighting instructions	10
4.0 remote control layout	11
4.1 general transmitter layout	11
4.2 temperature display	11
4.3 in the event of a battery failure	12
4.4 low battery	12
5.0 clearances around fireplace	13
6.0 maintenance	15
6.1 care of glass	16
6.2 care of plated parts	16
6.3 safety barrier and glass door removal / installation	17
7.0 replacement parts	18
8.0 accessories	19
9.0 troubleshooting	21
10.0 warranty	22

This owner's manual is written for a complete series of fireplaces that have a variety of different features and specifications. Before reading this manual, be sure you know which model of fireplace that you have. This information will have been filled out by the installer on the following page and on the rating plate that is permanently attached to the fireplace (see "rating plate information" section).

This manual is for the:

- **Oakville™ Series (GDI3EA models)**

If required, more detailed technical information is included in the fireplace installation manual.

The information throughout this manual is believed to be correct at the time of printing. Wolf Steel Ltd. reserves the right to change or modify any information within this manual at any time without notice. Changes, other than editorial are denoted by a vertical line in the margin.

Visit the Napoleon website for the most current version of your appliance's manual.

welcome

congratulations

Napoleon is proudly committed to your total home comfort. We are proud to say that our products continuously surpass industry standards and our inspiration is you! More than anything, we want you to feel confident in choosing Napoleon for your home. Our products are designed to provide that confidence and ensure that every Napoleon product is beyond compare.

Napoleon products are designed with superior components and materials assembled by trained craftsmen who take great pride in their work.

A barrier designed to reduce the risk of burns from the hot viewing glass is provided with the appliance for your safety. **This barrier must be installed.**

Your Napoleon fireplace has been thoroughly inspected by a qualified technician before packaging to ensure that you, the customer, receives the quality product that you expect from Napoleon.

Dealer : Fill in your dealer information (or business card) and the appliance installation information below.

Dealer Information

Name of Dealer: _____
 Dealer Location: _____
 Dealer Phone: _____
 Dealer E-mail: _____

Customer: _____
 Customer Address: _____
 Date of Installation: _____
 Location of the appliance: _____
 Installer: _____

Dealer: Business card location

Serial Number: _____

Model:

Natural Gas: GDI3NEA

Propane: GDI3PEA

1.0 getting to know your appliance EN

The area above the fireplace opening including the safety barrier, barrier frame and the surface of the wall can get very hot during operation and should never be touched until the appliance is off and completely cooled.

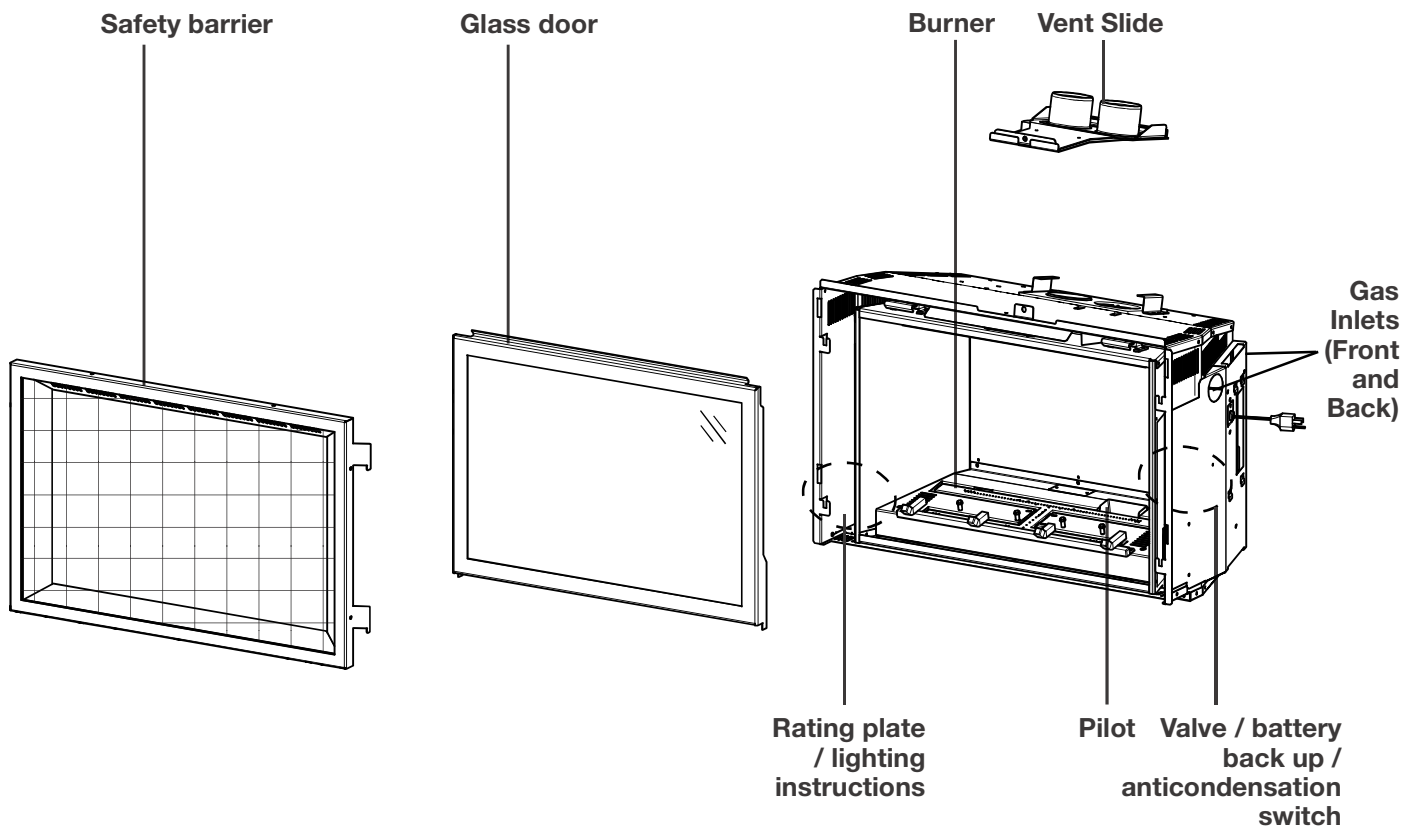
DANGER

HOT GLASS WILL CAUSE BURNS.

DO NOT TOUCH GLASS UNTIL COOLED.

NEVER ALLOW CHILDREN TO TOUCH GLASS.

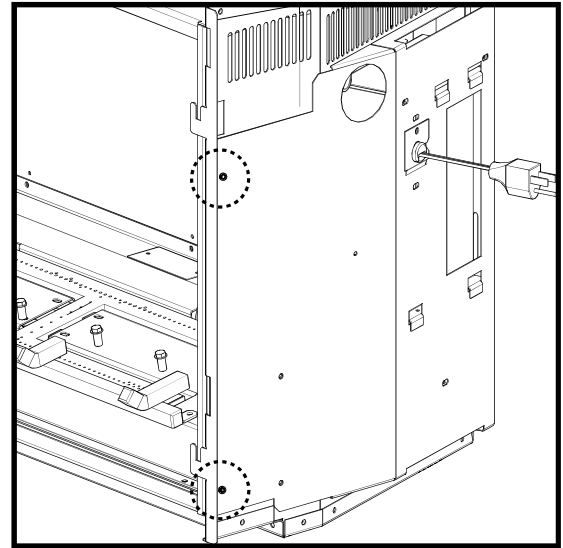
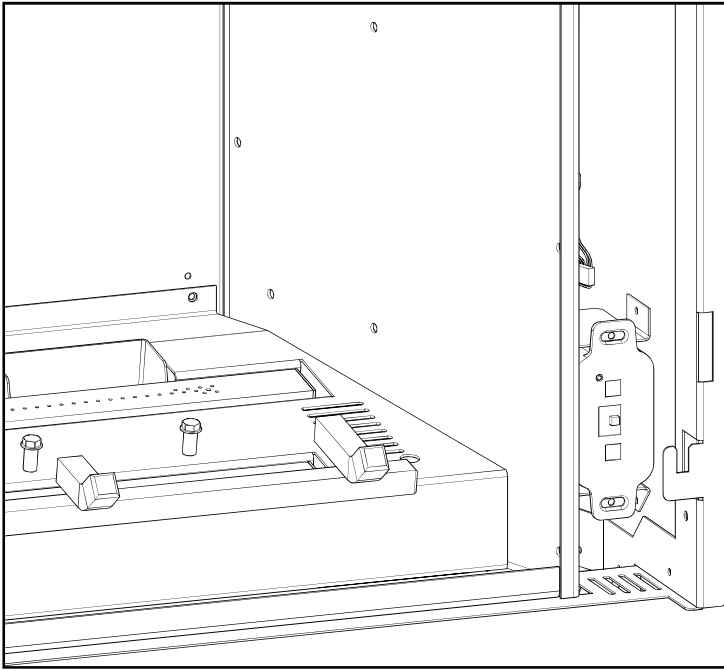
A barrier designed to reduce the risk of burns from the hot viewing glass is provided with this appliance and shall be installed for the protection of children and other at-risk individuals.



note:
Some features and locations may vary depending on the model.

getting to know your appliance

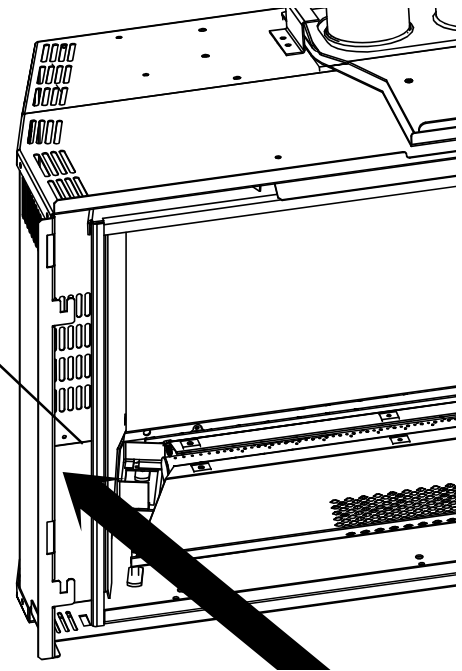
1.1 control access



1.2 rating plate information

This illustration is for reference only. Refer to the rating plate on the appliance for accurate information.

<p>Certified to Canadian and American National Standards: CSA 2.22-XXXX / ANSI Z21.50-XXXX for Vented Decorative Gas Appliances Certifié selon les normes Nationales Canadiennes et Américaines: CSA 2.22-XXXX / ANSI Z21.50-XXXX pour les Appareils à gaz décoratifs à évacuation Do not vent: never gas fireplace. Approved for bedroom, bathroom and sleeping room installation. Suitable for mobile home installation. It is not to be installed with the current standard CAN / CSA 2240MH Series gas equipped mobile homes in Canada, or in the United States, the Manufactured Home Construction and Safety Standard, 2016 IBC Part 509.1. When the US Standard is not applicable, use the Standard for Fire Safety Criteria for Manufactured Home Installations. See your Communities (MCI) for more information. This appliance must be installed in accordance with local codes, if any. If none, follow the current ANSI Z221.1 or CSA B149.1. For use with barrier WXXXXXX, follow Installation Instructions. Pour un gaz ventilé, Hors-usage pour installation dans une chambre à coucher, une salle de bain ou un studio. Approuvé pour installation dans une maison mobile non indépendante conforme aux exigences en matière de CMV / CSA 2240MH Série de maisons mobile équipées au gaz en vigueur au Canada, ou, aux États-Unis selon l'International Code of Building Officials (ICBO) Manufactured Home Construction and Safety Standard. Dans le cas où cette norme d'États-Unis n'est pas pertinente, utiliser la norme NFPA 501A, Fire Safety Code for Manufactured Home Installations. Voir les Communautés (MCI) pour les codes ou règlements locaux. Ce produit n'est pas certifié pour l'usage en tant que norme NFPA 501A, Fire Safety Code for Manufactured Home Installations. Voir les codes d'installation ANSI Z221.1 ou CSA B149 en vigueur. Utilisez uniquement avec l'écran WXXXXXX. Suivez les instructions d'installation.</p>				<p>REFERENCE# 161746</p>	
<p><input type="checkbox"/> 9700539 (WSL) <input type="checkbox"/> 4001658 (NAC) <input type="checkbox"/> 4001657 (NGZ) <input type="checkbox"/> 4001659 (WUSA)</p>					
<p>MODEL / MODÈLE</p> <p><input type="checkbox"/> XXXX <input type="checkbox"/> XXXX <input type="checkbox"/> XXXX <input type="checkbox"/> XXXX</p> <p><input type="checkbox"/> XXXX <input type="checkbox"/> XXXX <input type="checkbox"/> XXXX <input type="checkbox"/> XXXX</p> <p><input type="checkbox"/> XXXX <input type="checkbox"/> XXXX <input type="checkbox"/> XXXX <input type="checkbox"/> XXXX</p>					
<p>Altitude Reduced Input P4</p>		<p>Élévation Alimentation Réduite P4</p>			
<p>Manifold Pressure: 5.0" w.c. (MG) Minimum Supply Pressure: 4.5" w.c. (MG) Maximum Supply Pressure: 17" w.c. (MG) Pressure at Collector: 1.5" d'une colonne d'eau (GN) Pression d'Alimentation Min.: 4.5" d'une colonne d'eau (GN) Pression d'Alimentation Max.: 17" d'une colonne d'eau (GN)</p>		<p>Manifold Pressure: 10" w.c. (P) Minimum Supply Pressure: 11" w.c. (P) Maximum Supply Pressure: 19" w.c. (P) Pressure at Collector: 1.0" d'une colonne d'eau (P) Pression d'Alimentation Min.: 11" d'une colonne d'eau (P) Pression d'Alimentation Max.: 19" d'une colonne d'eau (P)</p>			
<p>Minimum clearance to combustible materials: Top, sides & back: per standard spaces for framing and finishing materials. For non-combustible framing and finishing materials, see installation manual. Top: 3" Sides: 3" Back: 3" Vent top: 3" Vent sides & bottom: 3" Recessed depth: 3"</p>					
<p>Minimum clearance to non-combustible materials: Top, sides & back: per standard spaces for framing and finishing materials. For non-combustible framing and finishing materials, see installation manual. Top: 3" Sides: 3" Back: 3" Vent top: 3" Vent sides & bottom: 3" Recessed depth: 3"</p>					
<p>WARNING: Do not add any material to the appliance which will come in contact with the flames, other than that supplied by the manufacturer with the appliance. AVERTISSEMENT: N'ajoutez pas à cet appareil aucun matériau devant entrer en contact avec les flammes autre que celui qui est fourni avec cet appareil par le fabricant. L'appareil doit être ventilé d'après les spécifications d'évacuation appropriées. Une réinstallation et un réglage sont nécessaires après tout ajustement du système de ventilation.</p>					
<p>Serial Number / N° de Série: XXXX</p>					



Left side view of appliance (GDI3EA illustrated)

note:
 The rating plate must remain with the appliance at all times. It must not be removed.

When operating your appliance for the first time, there is a required burn-in process that cures materials used to manufacture the fireplace that may emit both vapors and an odor. These are normal when operating a new appliance for the first time. Ensure adequate air circulation is provided during burn-in process, if this was not completed by the installer during installation.

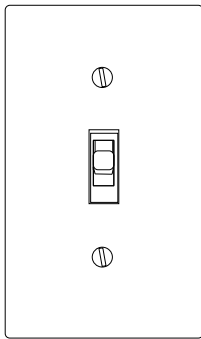
2.1 using your appliance

To turn the appliance on:

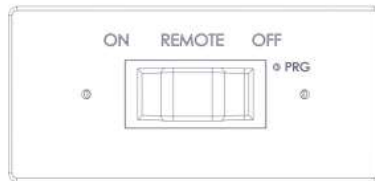
- A Turn the on/off switch on.
- B After 3-5 seconds, the control will start a spark at the pilot, light the pilot and then the burner. The spark period will last 60 seconds, or until the pilot has lit.
- C When used for the first time, if the burn-in process was not completed by the installer; run appliance continuously for 4 hours (burn-in).
- D Turn the appliance off. Wait until appliance is completely cool before moving to the next step.
- E Remove the safety barrier and firebox glass door. Clean firebox glass door (see “maintenance” section). Replace firebox glass door and safety barrier.

For more detailed information, see your installation manual or contact your authorized dealer.

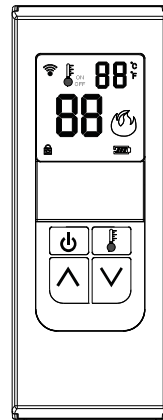
2.2 on/off components



On/off switch
(Not supplied)



Battery holder (including switch)
(Optional)



Remote control
(Optional)



Batteries must be disposed of according to the local laws and regulations. Some batteries may be recycled, and may be accepted for disposal at your local recycling center. Check with your municipality for recycling instructions.

2.2.1 changing the batteries

! WARNING

- Ensure the gas and electrical power to the appliance is turned off.
- Appliance may be hot, do not service until the appliance has cooled.

Battery Installation

1. Remove battery holder by sliding it forward from the bracket (**Fig. 1**).
2. Install 2 "D" batteries.
3. Reinstall battery holder.

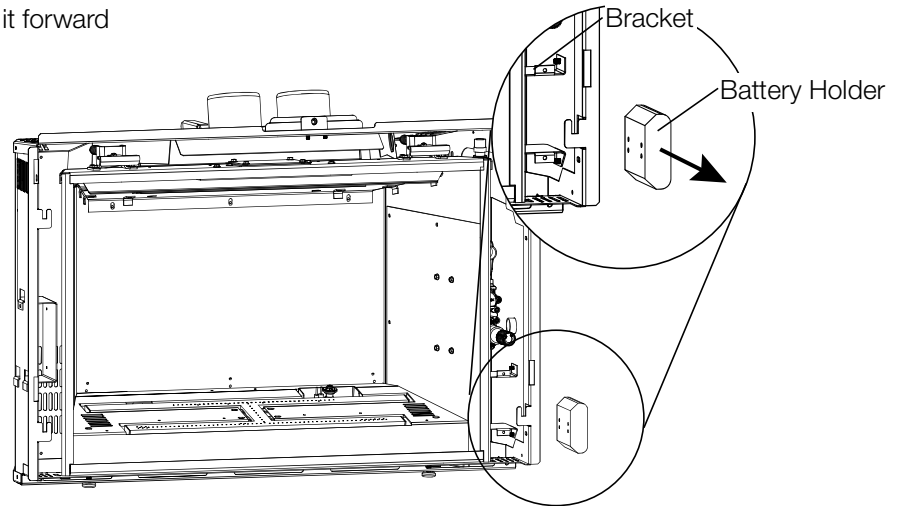
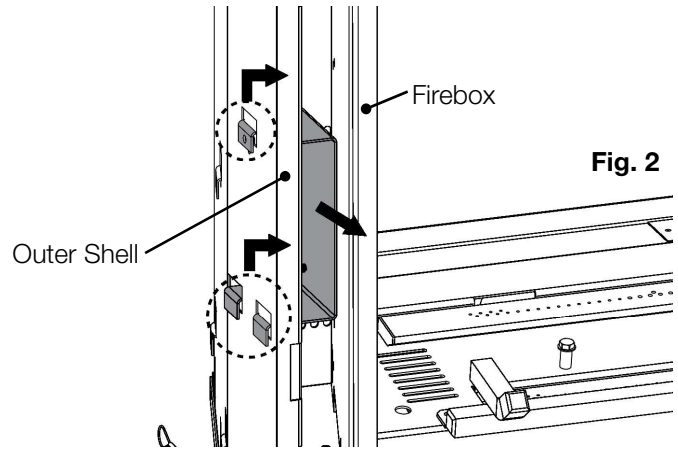
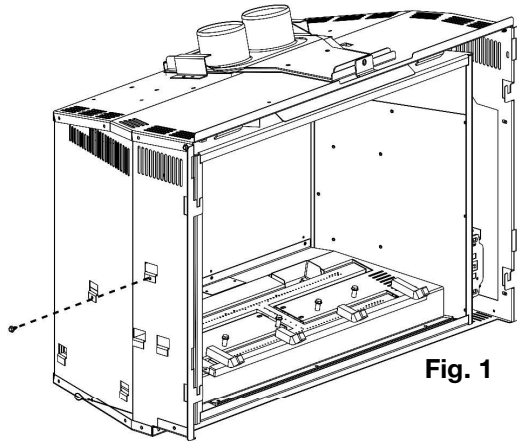


Fig. 1

2.3 bracket installation for optional F45/60 receiver

1. Remove the safety barrier and glass door (see "safety barrier & door removal / installation" section).
2. Remove the 1 screw holding the bracket in place (**Fig. 1**). Lift the bracket up and out of the slots, lifting it through the opening between the firebox and the appliance's outer shell (**Fig. 2**).



3. Insert optional receiver (F45 or F60). Secure the receiver using 2 screws (supplied).
4. Place the bracket and receiver back through the opening between the firebox and the appliance's outer shell. Slide the bracket and receiver into and down the slots (**Fig. 2 in reverse**).
5. Resecure the 1 screw to hold the bracket and receiver in place (**Fig. 1**).

3.0 operation

! WARNING

- If you do not follow these instructions exactly, a fire or explosion may result causing property damage, personal injury, or loss of life.
- If applicable, always light the pilot whether for the first time or if the gas supply has run out with the glass door opened or removed.

When lit for the first time, the appliance will emit an odor for a few hours. This is a normal temporary condition caused by the “burn-in” of paints and lubricants used in the manufacturing process and will not occur again. After extended periods of non-operation, such as, following a vacation or warm weather season, the appliance may emit a slight odor for a few hours. This is caused by dust particules in the heat exchanger burning off. In both cases, open a window to sufficiently ventilate the room.

FOR YOUR SAFETY READ BEFORE LIGHTING

- Do not turn on if children or other at risk individuals are near the appliance.
- This appliance is equipped with an ignition device which automatically lights the pilot. Do not try to light the pilot by hand.
- Before operating, smell all around the appliance area for gas and next to the floor because some gas is heavier than air and will settle on the floor.
- Do not use this appliance if any part has been under water. Immediately call a qualified service technician to inspect the appliance and replace any part of the control system and any gas control which has been underwater.

WHAT TO DO IF YOU SMELL GAS

- Turn off all gas to the appliance.
- Open windows.
- Do not try to light any appliance.
- Do not touch any electric switch; do not use any phone in your building
- Immediately call your gas supplier from a neighbour's phone. Follow the gas supplier's instructions.
- If you cannot reach your gas supplier, call the fire department.

LIGHTING INSTRUCTIONS

note:

This appliance is equipped with an ignition device which automatically lights the pilot. Do not try to light the pilot by hand.

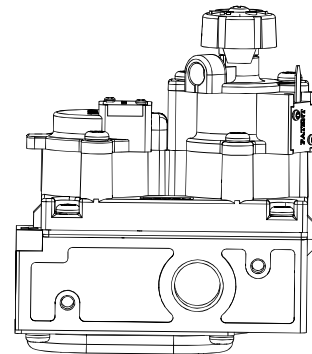
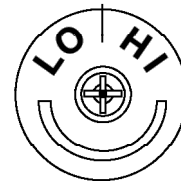
- Stop! Read the above safety information on this label.
- Remove batteries from the transmitter and set thermostat to lowest setting, if equipped.
- Turn off all electrical power to the appliance.
- Open the glass door, if equipped.
- Turn the manual shut-off valve clockwise to the “OFF” position. (Shut-off valve is located on the flex connector).
- Wait five (5) minutes to clear out any gas. If you smell gas including near the floor, **STOP!** Follow the instructions above in the “WHAT TO DO IF YOU SMELL GAS” section. If you don't smell gas; close the glass door and go to the next step.
- Turn the manual shut-off valve counter clockwise to the “ON” position.
- Turn on all electrical power to the appliance and re-install the batteries into the transmitter. Set thermostat to desired setting, if equipped.
- Turn on the remote wall switch to the appliance.
- If the appliance will not operate, follow instructions “TO TURN OFF GAS” and call your service technician or gas supplier.

TO TURN OFF GAS

- Set thermostat to lowest setting, if equipped.
- Turn off the remote wall switch to the appliance.
- Turn off all electric power to the appliance if service is to be performed.
- Turn manual shutoff valve clockwise to the “OFF” positon. Do not force.

3.1 extreme cold lighting instructions

In order to overcome the dense cold air that can build up in the venting system during extreme cold conditions, we recommend turning on and off your appliance on the low flame setting and with the split flow function for the rear burner turned off (if equipped). Once the appliance has operated for a minimum of 5 to 10 minutes on low, typically the flame can then be increased to the high setting and the rear burner (split flow function) can be turned on (if equipped). This will help to avoid unnecessary shutdowns while the insert is warming up and trying to overcome the cold air block in the venting system.

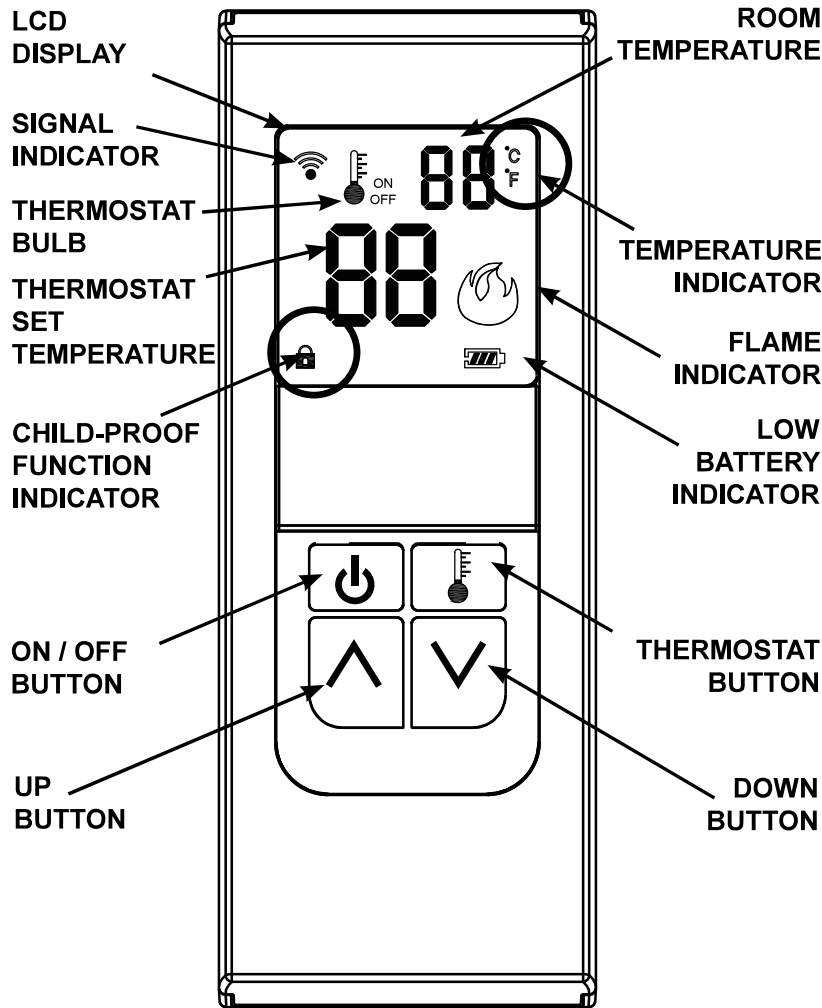


4.1 general transmitter layout

note:

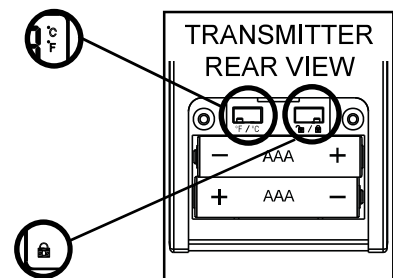
The remote control is optional.

The receiver switch must be in the REMOTE position for the transmitter to function. This remote system operates using radio frequency signals sent by the transmitter to the receiver. It is recommended that the distance between the transmitter and receiver never exceeds 20' and 10' if the receiver is located within the fireplace's outer or inner cavity surrounding an insert. Low batteries will also affect operational distance.



4.2 temperature display

Remove the battery cover on the back of the transmitter to expose the °C / °F dip switch. Move the dip switch to your desired temperature mode. Selected temperature mode will appear in the top right corner beside the room temperature.



remote control layout

4.3 in the event of a battery failure

If the receiver batteries fail, the appliance will no longer turn on or off. To operate the appliance in the event of a battery failure, the slide switch located on the receiver may be switched to the “ON” position to operate the appliance.

4.4 low battery

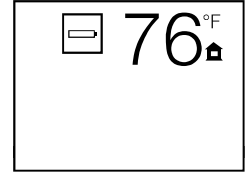
The life span of the remote batteries depends on various factors: quality of the batteries, the number of ignitions, etc.

When the transmitter batteries are low, a battery icon will appear on the LCD display before all battery power is lost. When the batteries are replaced, this icon will disappear.

When the receiver batteries are low, no “beep” will be emitted from the receiver when it receives an **on/off** command. This is an alert for the receiver that there's low battery.

When the batteries are replaced the “beep” will be emitted from the receiver when the **on/off key** is pressed.

If the batteries of the receiver or transmitter are low, the appliance can be turned on manually by sliding the three position slider switch on the receiver to the **on** position. This will bypass the remote control feature and the appliance main burner will come on if the gas valve is in the **on** position.



! WARNING

- Your appliance, gas/electrical connections, venting and various key components are hidden behind the wall. It is critical that no screws penetrate these components. Failure to follow instructions may cause improper operation, damage, personal injury or fire. Always use a stud finder and only screw into studs.

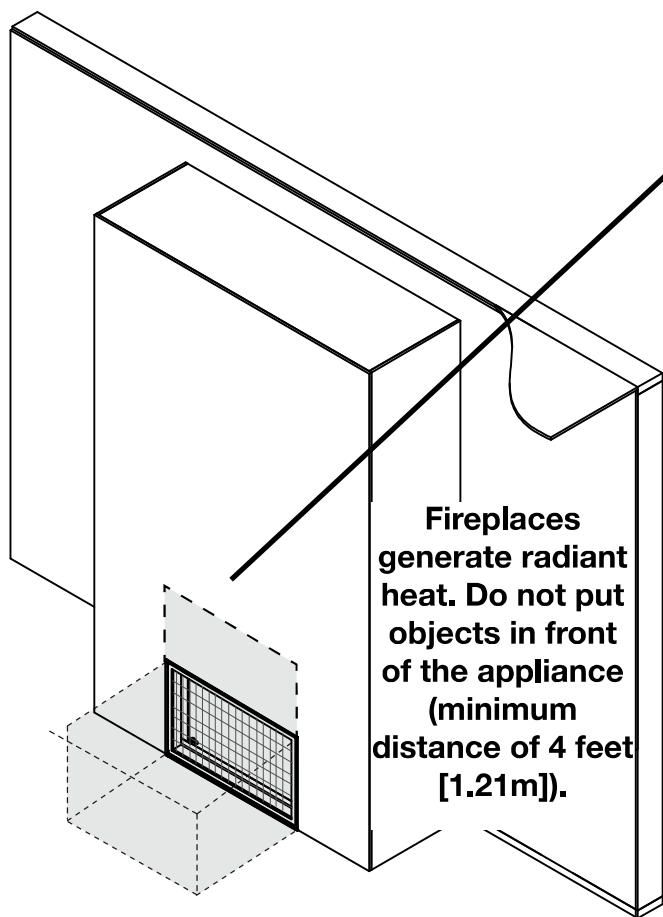
Without making adequate provisions to account for the heat, the temperatures above the fireplace will be hot, making it unsuitable for mounting a TV or other objects sensitive to heat without risk of damage.

Installing a mantel between this appliance and electronics or other materials that may be sensitive to heat will reduce the effect of direct heat on them.

The size and material of the mantel will affect the allowable clearance above your fireplace and incorrect placement could become a fire hazard. Consult your installation manual and/or authorized dealer for more information before mounting a mantel, a shelf or any other object above your appliance.

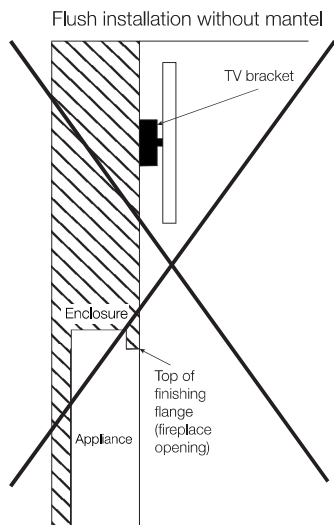
Your fireplace, gas/electrical connections and vent are hidden directly behind the finished wall. Great care should be taken to avoid screwing or nailing into these components. Always use a stud finder to determine stud location and only screw into studs.

Do not screw into the area around the fireplace opening as some of your appliance may be hidden behind the finished wall. Refer to your installation manual and/or contact your local dealer for more information.

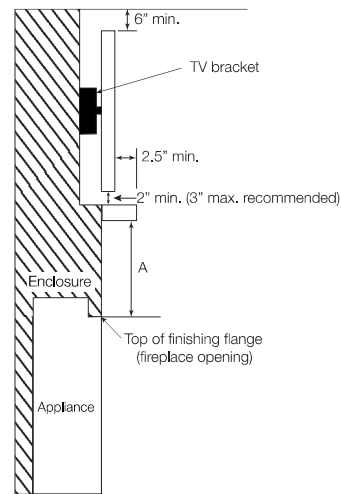
**! WARNING**

The area above a fireplace gets hot. Combustible objects or materials must never be placed in this area. For minimum clearances, refer to installation manual or your authorized dealer.

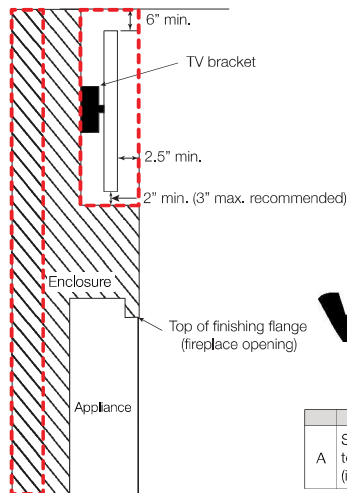
clearances around fireplace



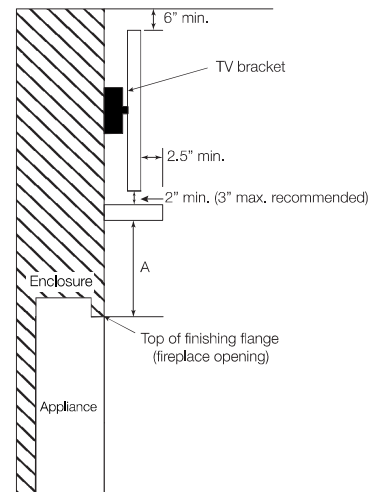
Partially recessed installation with mantel




Recessed installation with protrusion



Flush installation with mantel



A	See "minimum clearance to mantel" section (installation manual).
---	--

 The volume of air must be added to the enclosure to accommodate the recessed area.

note:

- These are recommended minimum clearances only and are in supplied in good faith and not a guarantee of compliance with TV manufacturers' maximum allowable operating temperatures. Always comply to TV manufacturers' requirements.
- **TV temperatures must be validated at the time of installation** as air flow characteristics within the room can vary and maximum acceptable operating temperatures can vary from appliance to appliance. TVs cannot be used where the TV temperature exceeds the manufacturer's maximum allowable operating temperatures (see TV manufacturer's specifications).
- Mantel height and depth must conform to mantel clearance requirements specified in this manual, see "minimum clearance to combustible mantel" section in installation manual.
- Dimension "A" the gap between the top of the finishing flange and the bottom of the TV are taken from the top of the fireplace opening.
- TV temperatures may be further reduced by increasing the horizontal distance between the front of the TV and the front edge of the mantel or by increasing dimension "A". However, increasing the gap between the top of the mantel and the bottom of the TV beyond the maximum recommended figure, typically results in higher temperatures. Minimum clearance between the mantel and bottom of the TV should be maintained to allow air circulation below and behind the TV.

WARNING

- Turn off the gas and electrical power before servicing the appliance.
- Appliance may be hot. Do not service until appliance has cooled.
- **For qualified technicians only:**
- Label all wires prior to disconnection when servicing controls. Wiring errors can cause improper and dangerous operation. Verify proper operation after servicing.
- This appliance and its venting system should be inspected before use and at least annually by a qualified service person.
- The flow of combustion and ventilation air must not be obstructed.

DOS

- Clean your safety barrier or regularly to prevent the build up of excessive lint/dust from carpeting, pet hair, etc. Simply vacuum using the brush attachment.
- Always use ammonia-free glass cleaners.
- Service your appliance annually and/or as required. Service must be conducted by a qualified technician.
- Keep your appliance area clear and free of combustible materials, gasoline, or other flammable vapors and liquids.
- Check to see that the burner ignites completely on all openings when turned on. A 5 to 10 second total light-up period is satisfactory. Service as required.

DON'TS

- Attempt to service the electrical or gas components. Contact a qualified technician.
- Use excessive force.
- Use abrasive cleaners on glass.
- Paint the pilot assembly.
- Place objects too close to the fireplace opening.

note:

For any questions and/or concerns regarding your appliance, maintenance and service, please contact your authorized dealer.

maintenance

6.1 care of glass

WARNING

- Do not clean glass when hot! Do not use abrasive cleaners to clean glass.

Firebox Glass Door :

Do not use ammonia-based cleaners.

Buff lightly with a clean dry soft cloth to remove accumulated dust or fingerprints. Clean both sides of the glass after the first 4 hours of operation with an ammonia-free glass cleaner.

note:

Vinegar-based glass cleaners have demonstrated an ability to provide a clean, streak free glass surface.

Thereafter, clean as required. If the glass is not kept clean permanent discoloration and / or blemishes may result. Contact you local authorized dealer / distributor for complete cleaning instructions.

Razor blades, steel wool, or other metallic objects must not be used on both surfaces of the glass. Doing so can remove a thin layer of metal from the razor blades, steel wool, or other metallic objects that may then be deposited onto the coating. This can result in a discoloured stain or scratch-like mark. More importantly, this can scratch the glass surface, thereby reducing its strength.

Do not operate the appliance with broken glass, as leakage of flue gases may result.

Contact your local authorized dealer / distributor for complete cleaning instructions.

If the glass should ever crack or break while the fire is burning, do not open the door until the fire is out. Do not operate the appliance until the glass has been replaced. Contact you local authorized dealer / distributor for replacement parts. **DO NOT SUBSTITUTE MATERIALS.**

Replacement glass/frame assembly shall be replaced as a complete unit as supplied by the appliance manufacturer.

This appliance is factory equipped with ceramic glass. Use only replacement parts as supplied by the appliance manufacturer. **DO NOT SUBSTITUTE MATERIALS.**

6.2 care of plated parts

If the appliance is equipped with plated parts, you must clean fingerprints or other marks from the plated surfaces before operating the appliance for the first time. Use an ammonia-free or vinegar-based cleaner and a towel to clean. If not cleaned properly before operating for the first time, the marks can cause permanent blemishes on the plating. After the plating is cured, the fingerprints and oils will not affect the finish and little maintenance is required, just wipe clean as needed. Prolonged high temperature burning with the door ajar may cause discoloration on plated parts.

note:

The protective wrap on plated parts is best removed when the assembly is at room temperature but this can be improved if the assembly is warmed (i.e. using a hair dryer or similar heat source).

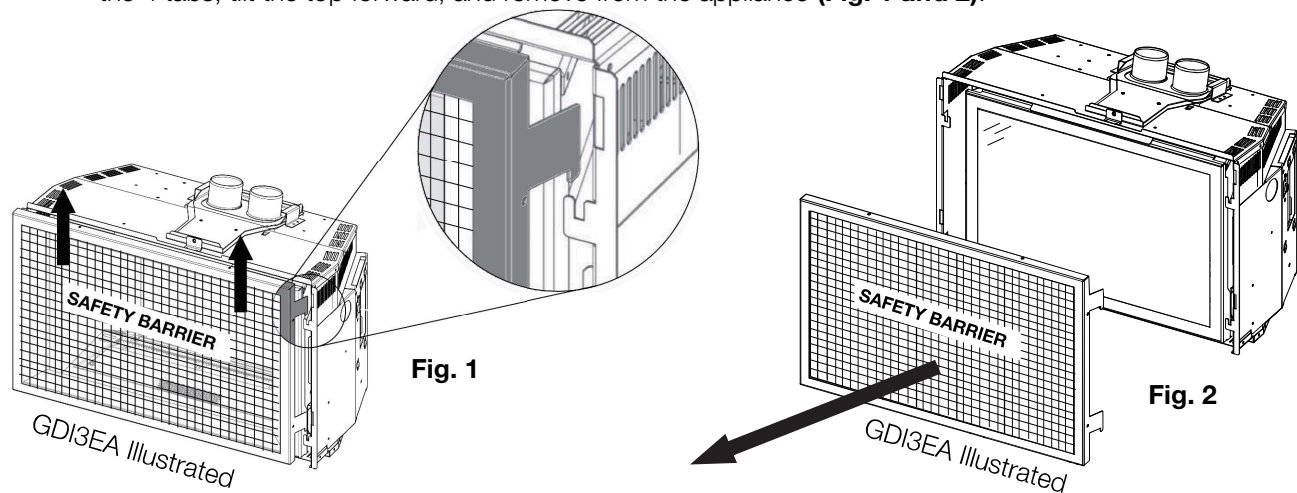
6.3 safety barrier and glass door removal / installation

! WARNING

- Glass may be hot. Do not touch glass until cooled.
- If equipped with door latches that are part of a safety system, they must be properly engaged. Do not operate the appliance with latches disengaged.
- Facing and/or finishing materials must not interfere with air flow through air openings, louvre openings, operation of louvres, or doors/access for service. Observe all clearances when applying combustible materials.
- Before door is removed, turn the appliance off and wait until appliance is cool to the touch. Doors are heavy and fragile so handle with care.

A barrier designed to reduce the risk of burns from the hot viewing glass is provided with the appliance and must be installed.

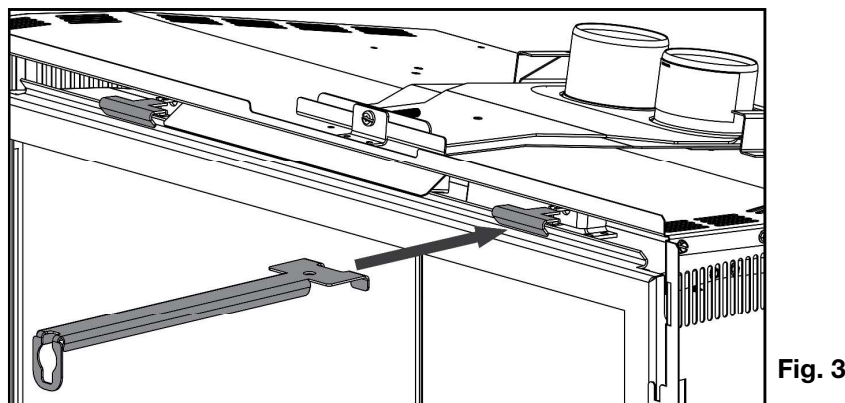
1. Before the glass door can be removed, the safety barrier must be removed. Lift the safety barrier from the 4 tabs, tilt the top forward, and remove from the appliance (**Fig. 1 and 2**).



note:

If applicable, the optional front must be removed to allow the door to be opened or closed.

2. Release the top left and right door latches, located at the top of the door (**Fig. 3**). Tilt forward and lift from slots.



3. Reverse these steps to re-install the safety barrier and glass door. Ensure safety barrier is installed correctly.

7.0 replacement parts

WARNING

- Failure to position the parts in accordance with this manual or failure to use only parts specifically approved with this appliance may result in property damage or personal injury.

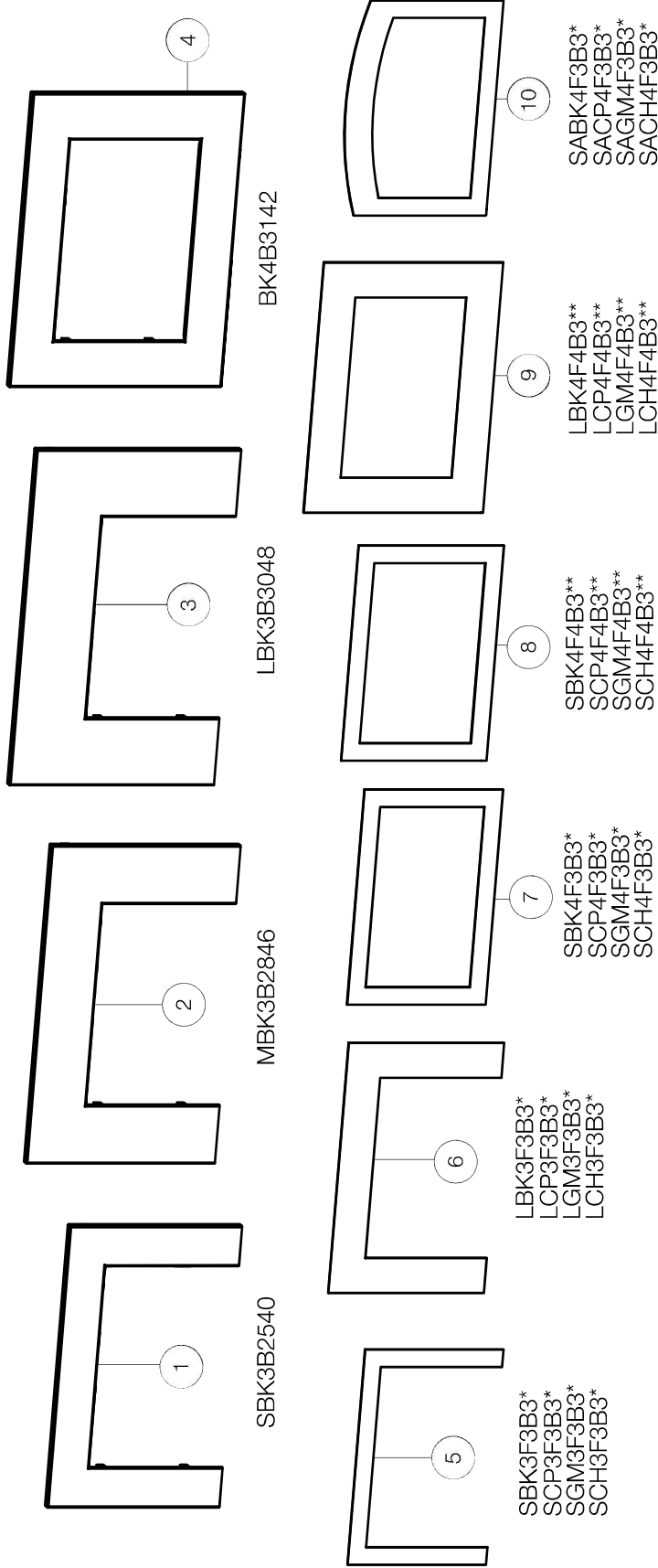
Contact your dealer for questions concerning prices and policies on replacement parts. Normally, all parts can be ordered through your Authorized dealer / distributor.

For warranty replacement parts, a photocopy of the original invoice will be required to honour the claim.

When ordering replacement parts always give the following information:

- Model & Serial Number of appliance
- Installation date of appliance
- Part number
- Description of part
- Finish

For service parts, see your Installation manual.

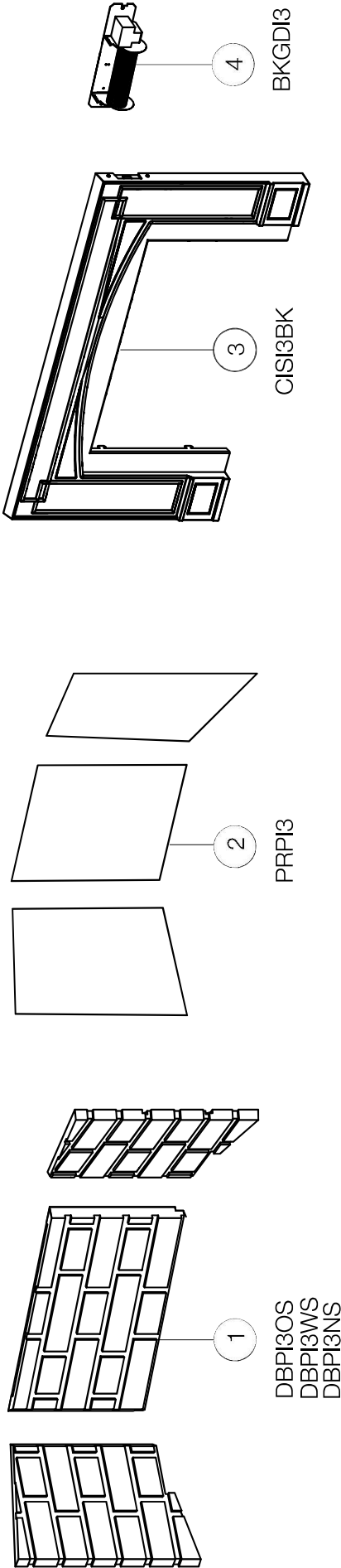


* For use with 3-sided backerplate (see SBK3B2540, MBK3B2846, or LBK3B3048).

** For use with 4-sided backerplate (see BK4B3142).

Items may not appear exactly as illustrated.

Ref. No.	Part Number	Description	Stocked	Ref. No.	Part Number	Description	Stocked
1	SBK3B2540	Small 3-sided backerplate		7	SGM4F3B3 *	Small 4-sided faceplate, gun metal	
2	MBK3B2846	Medium 3-sided backerplate		7	SCH4F3B3 *	Small 4-sided faceplate, charcoal	
3	LBK3B3048	Large 3-sided backerplate		8	SBK4F4B3 **	Small 4-sided faceplate, black	
4	BK4B3142	Large 4-sided backerplate		8	SCP4F4B3 **	Small 4-sided faceplate, copper	
5	SBK3F3B3 *	3-sided faceplate, black		8	SGM4F4B3 **	Small 4-sided faceplate, gun metal	
5	SCP3F3B3 *	3-sided faceplate, copper		8	SCH4F4B3 **	Small 4-sided faceplate, charcoal	
5	SGM3F3B3 *	Small 3-sided faceplate, gun metal		9	LBK4F4B3 **	Large 4-sided faceplate, black	
5	SCH3F3B3 *	Small, 3-sided faceplate, charcoal		9	LCP4F4B3 **	Large 4-sided faceplate, copper	
6	LBK3F3B3 *	Large 3-sided faceplate, black		9	LGM4F4B3 **	Large 4-sided faceplate, gun metal	
6	LCP3F3B3 *	Large 3-sided faceplate, copper		9	LCH4F4B3 **	Large 4-sided faceplate, charcoal	
6	LGM3F3B3 *	Large 3-sided faceplate, gun metal		10	SABK4F3B3 *	Small arched 4-sided faceplate, black	
6	LCH3F3B3 *	Large 3-sided faceplate, charcoal		10	SACP4F3B3 *	Small arched 4-sided faceplate, copper	
7	SBK4F3B3 *	Small, 4-sided faceplate, black		10	SAGM4F3B3 *	Small arched 4-sided faceplate, gun metal	
7	SCP4F3B3 *	Small, 4-sided faceplate, copper		10	SACH4F3B3 *	Small arched 4-sided faceplate, charcoal	



Items may not appear exactly as illustrated.

Ref. No.	Part number	Description	Stocked
1	DBPI3OS	Decorative Brick Panels Old Town Red Standard	
1	DBPI3WS	Decorative Brick Panels Westminster Standard	
1	DBPI3NS	Decorative Brick Panels Newport Standard	
2	PRPI3	Porcelain Reflective Radiant Panels	
3	CISI3BK	Black Cast Iron Surround	
4	BKGD13	Blower Kit	

symptom	problem	test solution
Flame is a blue, lazy, transparent flame	Blockage in vent.	- Remove blockage. In really cold conditions, ice buildup may occur on the terminal and should be removed as required.
White / grey film forms on glass.	Sulphur from fuel is being deposited on glass, logs, or surfaces.	- Clean the glass with a recommended gas fireplace glass cleaner. DO NOT CLEAN GLASS WHEN HOT. - If sulphur deposits are not cleaned off regularly, the glass may become permanently marked.
Exhaust fumes smelled in room, headaches.	Appliance may be leaking exhaust fumes into the room.	- Check firebox glass door was properly reinstalled after cleaning - If not rectified, turn off appliance. Contact a qualified technician.
Pilot will not light. Makes noise with no spark at pilot burner. (EI only)	No signal from remote with no pilot ignition.	- Reprogram receiver code. - Replace battery holder (including switch), if applicable.
Pilot sparks but will not light.	Gas supply.	- Contact a qualified technician.
	Out of propane gas.	- Fill the tank.
	Remote control (if equipped).	- Follow reprogramming instructions for specific remote installed with your appliance. - Replace remote control.
Battery holder (including switch) is in "off" position; burner comes on.	Battery holder (including wall switch) mounted upside down.	- Reverse.
	Battery holder (including switch) and/or wire is grounding.	- Replace. - Check for ground (short); repair ground or replace wire.
	Faulty wire	- Replace.
Remote control and/or battery holder (including switch) is not functioning properly.	Remote control lights but no spark or flame. (Remote is locked out).	- Reset by turning power source off then on. <div style="border: 1px solid black; padding: 5px; margin-top: 5px;">note: If back up batteries are installed, they must also be removed to re-program</div>
	Battery holder (including switch) or remote has low battery.	- Replace batteries.
	Error with synchronizing.	- Reset battery holder (including switch) and remote control.
	Remote too far away from battery holder (including switch).	- Refer to "wiring diagram" section in the Installation manual.
	Flames are very aggressive.	Door is open.
Appliance won't perform any functions.	No power to the system.	- Check breaker to verify it's in the "on" position.
	Battery holder (including switch) in wrong position (if equipped).	- Verify that the 3 position switch on the battery holder (including switch) is in the remote position (middle).
	Battery holder, battery holder (including switch) and/or remote control isn't operational.	- Check battery power and battery orientation.

10.0 warranty

Napoleon products are manufactured under the strict Standard of the world recognized ISO 9001 : 2015 Quality Management System

Napoleon products are designed with superior components and materials assembled by trained craftsmen who take great pride in their work. The burner and valve assembly are leak and test-fired at a quality test station. The complete appliance is again thoroughly inspected by a qualified technician before packaging to ensure that you, the customer, receive the quality product that you expect from Napoleon.

Napoleon Gas Appliance President's Lifetime Limited Warranty

The following materials and workmanship in your new Napoleon gas appliance are warranted against defects for as long as you own the appliance. This covers: combustion chamber, heat exchanger, stainless / steel burner, Phazer™ logs and embers, rocks, ceramic glass (thermal breakage only), gold plated parts against tarnishing, porcelainized enameled components and aluminum extrusion trims.*

Electrical (110V and millivolt) components and wearable parts are covered and Napoleon will provide replacement parts free of charge during the first year of the limited warranty. This covers: blowers, gas valves, thermal switches, switches, wiring, remote controls, igniters, gaskets and pilot assemblies.*

Labour related to warranty repair is covered free of charge during the first year (labour warranty is not applicable for the Gas Log Sets). Repair work, however, requires the prior approval of an authorized company official. Labour costs to the account of Napoleon are based on a predetermined rate schedule and any repair work must be done through an authorized Napoleon dealer.

* Construction of models vary. Warranty applies only to components included with your specific appliance.

Conditions and Limitations

Napoleon warrants its products against manufacturing defects to the original purchaser only. Registering your warranty is not necessary. Simply provide your proof of purchase along with the model and serial number to make a warranty claim. Napoleon reserves the right to have its representative inspect any product or part thereof prior to honoring any warranty claim. Provided that the purchase was made through an authorized Napoleon dealer your appliance is subject to the following conditions and limitations:

Warranty coverage begins on the date of original installation. This factory warranty is non-transferable and may not be extended whatsoever by any of our representatives. The gas appliance must be installed by a licensed, authorized service technician or contractor qualified and authorized installer, service agency or supplier. Installation must be done in accordance with the installation instructions included with the product and all local and national building and fire codes. This limited warranty does not cover damages caused by misuse, lack of maintenance, accident, alterations, abuse or neglect, and parts installed from other manufacturers will nullify this warranty. This limited warranty further does not cover any scratches, dents, corrosion or discoloring caused by excessive heat, abrasive and chemical cleaners nor chipping on porcelain enamel parts, mechanical breakage of Phazer™ logs and embers. This warranty extends to the repair or replacement of warranted parts which are defective in material or workmanship provided that the product has been operated in accordance with the operation instructions and under normal conditions. After the first year, with respect to this President's Lifetime Limited Warranty, Napoleon may, at its discretion, fully discharge all obligations with respect to this warranty by refunding to the original warranted purchaser the wholesale price of any warranted but defective part(s).

After the first year, Napoleon will not be responsible for installation, labour, or any other expenses related to the reinstallation of a warranted part and such expenses are not covered by this warranty. Notwithstanding any provisions contained in the President's Lifetime Limited Warranty, Napoleon's responsibility under this warranty is defined as above and it shall not in any event extend to any incidental, consequential or indirect damages. This warranty defines the obligations and liability of Napoleon with respect to the Napoleon gas appliance and any other warranties expressed or implied with respect to this product, its components or accessories are excluded. Napoleon neither assumes, nor authorizes any third party to assume, on its behalf, any other liabilities with respect to the sale of this product. Napoleon will not be responsible for: over-firing, downdrafts, spillage caused by environmental conditions such as rooftops, buildings, nearby trees, hills, mountains, inadequate vents or ventilation, excessive venting configurations, insufficient makeup air, or negative air pressures which may or may not be caused by mechanical systems such as exhaust fans, furnaces, clothes dryers, etc. Any damages to the appliance, combustion chamber, heat exchanger, plated trim or other components due to water, weather damage, long periods of dampness, condensation, damaging chemicals or cleaners will not be the responsibility of Napoleon.

During the first 10 years Napoleon will replace or repair the defective parts covered by the lifetime warranty at our discretion free of charge. From 10 years to life, Napoleon will provide replacement parts at 50% of the current retail price. The manufacturer may require that defective parts or products be returned or that digital pictures be provided to support the claim. Returned products are to be shipped prepaid to the manufacturer for investigation. If a product is found to be defective, the manufacturer will repair or replace such defect. Before shipping your appliance or defective components, your dealer must obtain an authorization number. Any merchandise shipped without authorization will be refused and returned to sender. Shipping costs are not covered under this warranty. Additional service fees may apply if you are seeking warranty service from a dealer. Warranty labour allowance is only for the replacement of the warranted part. Travel, diagnostic tests, shipping and other related charges are not covered by this warranty.

All specifications and designs are subject to change without prior notice due to on-going product improvements. Napoleon is a registered trademark of Wolf Steel Ltd.

Appliance Service History

This appliance must be serviced annually depending on usage.

Date	Dealer Name	Service Technician Name	Service Performed	Special Concerns

NAPOLEON CELEBRATING OVER 40 YEARS OF HOME COMFORT PRODUCTS



7200, Route Transcanadienne, Montréal, Québec H4T 1A3
24 Napoleon Road, Barrie, Ontario, Canada L4M 0G8
214 Bayview Drive, Barrie, Ontario, Canada L4N 4Y8
103 Miller Drive, Crittenden, Kentucky, USA 41030
De Riemsdijk 22, 4004 LC Tiel, The Netherlands

Phone: 1-866-820-8686
napoleon.com



MANUEL DU PROPRIÉTAIRE

Séries Oakville^{MD}
(GDI3EA illustré)



CONSIGNES DE SÉCURITÉ Pour l'utilisation intérieure seulement

! AVERTISSEMENT

RISQUE D'INCENDIE OU D'EXPLOSION

Incapacité à suivre ces avertissements exactement peuvent entraîner de grave blessures, des pertes de vie ou des dommages matériels.

- N'entreposez pas et n'utilisez pas d'essence ou autres liquides et vapeurs inflammables à proximité de cet appareil ou tout autre appareil.

- QUE FAIRE SI VOUS DÉTECTEZ UN ODEUR DE GAZ:

- N'allumez aucun appareil.
- Ne touchez à aucun téléphone dans votre immeuble.
- Appelez immédiatement votre fournisseur de gaz d'un téléphone dans l'immeuble de votre voisin. Suivez les instructions du fournisseur de gaz.
- Si vous ne pouvez pas rejoindre votre fournisseur de gaz, appelez le service des incendies.

- L'installation et l'entretien doivent être faits par un installateur qualifié, une agence d'entretien ou le fournisseur.



AVERTISSEMENT

- Cet appareil est chaud lorsqu'il fonctionne et peut causer de graves brûlures en cas de contact.
- Toute modification apportée à cet appareil ou aux contrôles peut être dangereuse et est interdite.
- Ne faites pas fonctionner l'appareil avant d'avoir lu et compris les instructions d'opération. Omettre d'utiliser l'appareil selon les instructions d'opération pourrait causer un incendie ou des blessures.
- Risque d'incendie ou d'asphyxie. Ne faites pas fonctionner l'appareil avec la vitre retirée.
- Ne branchez pas la soupape à du courant 110 volts.
- Risque de brûlures. L'appareil doit être éteint et refroidi avant d'effectuer un entretien.
- N'installez pas de composants endommagés ou incomplets ni des composants substitués.
- Risque de coupures et d'éraflures. Portez des gants protecteurs et des lunettes de sécurité lors de l'installation. Les bordures des pièces de métal peuvent être coupantes.
- Les enfants et les adultes devraient être informés des dangers que posent les températures de surface élevées et se tenir à distance afin d'éviter des brûlures ou que leurs vêtements ne s'enflamment.
- Les jeunes enfants doivent être surveillés attentivement lorsqu'ils sont dans la même pièce que l'appareil. Les jeunes enfants et autres personnes à risque sont sujets aux brûlures accidentelles. Une barrière de protection est recommandée si des individus à risque se trouvent dans la maison. Afin de restreindre l'accès à l'appareil, installez une barrière de protection ajustable pour garder les jeunes enfants ou autres personnes à risque hors de la pièce et loin des surfaces chaudes.
- Les vêtements et autres matériaux combustibles ne doivent pas être posés sur l'appareil ou à proximité.
- En raison des températures élevées, l'appareil devrait être placé loin des endroits passants et loin des meubles et des rideaux.
- Assurez-vous de disposer de mesures de sécurité adéquates pour empêcher les jeunes enfants de toucher aux surfaces chaudes.
- Même une fois que l'appareil est éteint, la vitre et/ou le pare-étincelles demeureront chauds pendant un temps prolongé.
- Consultez votre détaillant local de foyer pour connaître les grillages de sécurité et les écrans offerts pour protéger les enfants des surfaces chaudes. Ces grillages de sécurité et ces écrans doivent être fixés au plancher.
- Tout grillage de sécurité, écrans ou barrières enlevés pour faire l'entretien devront être remis en place avant d'utiliser l'appareil.
- Cet appareil est un appareil à gaz ventilé. Ne brûlez pas de bois ou autres matériaux dans cet appareil.
- L'emplacement de l'appareil doit être gardé libre de tous matériaux combustibles, essence ou d'autres liquides et vapeurs inflammables.
- N'utilisez pas cet appareil si une partie quelconque a été submergée. Contactez immédiatement un technicien de service qualifié pour inspecter l'appareil et pour remplacer toute pièce du système de contrôle et du contrôle du gaz qui aurait été submergée.
- Ne pas opérer l'appareil lorsque la porte vitrée est enlevée, fissurée ou brisée. Le remplacement de la vitre devra être effectué par un technicien de service certifié ou qualifié.
- Ne frappez pas et ne claquez pas la porte vitrée de l'appareil.
- Lorsqu'il est équipé avec les portes d'évacuation de pression, les portes doivent demeurer fermées pendant le fonctionnement de l'appareil afin d'empêcher les gaz de combustion contenant du monoxyde de carbone de s'infiltrer dans la maison. La température des gaz de combustion s'échappant par ces ouvertures peut aussi causer les matériaux combustibles avoisinants à surchauffer et à prendre feu.
- Seules les portes/façades certifiées pour cet appareil peuvent être utilisées avec cet appareil.
- Gardez les matériaux d'emballage hors de la portée des enfants et mettez ces matériaux au rebut de façon sécuritaire. Comme tous les emballages de plastique, ces matériaux ne sont pas des jouets et doivent demeurer hors la portée des enfants et des bébés.
- Comme dans le cas de tout appareil à combustion, il est recommandé de faire inspecter et entretenir votre appareil régulièrement. De même, installez un détecteur de monoxyde de carbone dans la pièce pour vous protéger, ainsi que votre famille, contre les intoxications.
- Assurez-vous de respecter les dégagements aux matériaux combustibles lorsque vous installez un manteau ou des tablettes au-dessus de l'appareil. Les températures élevées sur le mur ou de l'air au-dessus de l'appareil peuvent faire fondre, décolorer ou endommager les décorations, les téléviseurs ou autres composants électroniques.
- Une barrière conçue à réduire le risque de brûlures causées par le verre chaud est fournie avec l'appareil et sera installée.
- Si la barrière est endommagée, elle devra être remplacée par la barrière conçue par le fabricant pour cet appareil.
- L'installation et la réparation devraient être effectuées par un technicien qualifié. L'appareil et son système d'évacuation devraient être inspectés avant l'utilisation initiale et au moins une fois l'an par un professionnel qualifié. Un nettoyage plus fréquent peut être requis en raison de la poussière excessive laissée par les moquettes, les couvertures, etc. Il est impératif que les compartiments de contrôle, le brûleur et les passages de circulation d'air soient gardés propres afin de fournir une combustion et une circulation d'air adéquates.

 **AVERTISSEMENT: Ce produit peut vous exposer à des substances chimiques incluant le plomb et les composés de plomb qui, selon l'État de Californie, causeraient le cancer, et des substances chimiques incluant le monoxyde de carbone qui, selon l'État de Californie, causeraient des malformations congénitales ou autres dangers pour la reproduction. Pour de plus amples renseignements, visitez le www.P65Warnings.ca.gov.**

félicitations	28
1.0 apprendre à connaître votre appareil	29
1.1 accès aux contrôles	30
1.2 information sur la plaque d'homologation	30
2.0 faite fonctionner votre appareil	31
2.1 utilisation de votre appareil (millivolt seulement)	31
2.2 composants arrêt / marche	31
2.2.1 changeant les piles	32
2.3 installation de support pour récepteur optionnel F45/60	33
3.0 fonctionnement	34
3.1 instructions d'éclairage extrêmement froid	34
4.0 dessin de la télécommande	35
4.1 dessin générale de la télécommande	35
4.2 affichage de température	35
4.3 en cas de panne de batterie	36
4.4 piles faible	36
5.0 dégagements autour de l'appareil	37
6.0 entretien	39
6.1 soins de la vitre	40
6.2 soins des pièces plaquées	40
6.3 enlèvement / installation de la barrière de protection et la porte vitrée	41
7.0 pièces de rechange	42
8.0 accessoires	43
9.0 guide de dépannage	45
10.0 garantie	46

Ce manuel est écrit pour une série complète de cheminées linéaires qui ont une gamme de différentes caractéristiques et spécifications. Avant de lire ce manuel, assurez-vous de que savoir quel modèle vous avez. Ces informations vont ont été remplies sur la page suivant et sur la plaque signalétique qui est fixée en permanence au foyer (voir la section « apprendre à connaître votre appareil »).

Ce manuel s'adresse au

- **Séries Oakville^{MD} (modèle GDI3EA)**

Si nécessaire, plus d'information technical est inclus dans le manuel d'installation de votre appareil.

L'information tout au long de ce manuel est censée être correctes au moment de l'impression. Wolf Steel Ltée. se réserve le droit de changer ou modifier toute information dans ce manuel à tout moment sans préavis. Modifications, autres que l'éditorial sont signalées par un trait vertical dans la marge.

Visitez le site web de Napoléon pour la version le plus récent de votre manuel.

bienvenue félicitations

FR

Napoléon tient fièrement à votre confort domestique. Nous sommes fiers de dire que nos produits continuellement surpassent les normes de l'industrie et notre source d'inspiration c'est vous! Plus que tout, nous voulons vous faire sentir confiant dans le choix de Napoléon pour votre maison. Nos produits sont conçus pour fournir cette confiance et s'assurer que chaque produit de Napoléon est incomparable.

Les produits Napoléon sont conçus avec des composants et des matériaux de qualité supérieure, assemblés par des artisans qualifié qui sont fiers de leur travail.

Une barrière conçu à réduire le risque de brûlures à partir de la vitre chaud est à condition que avec l'appareil et **doit être installés.**

Votre appareil de Napoléon a été soigneusement inspecté par un technicien qualifié avant d'être emballé pour garantir que vous, le client, recevez le produit de qualité dont vous vous attendez de Napoléon.

Détaillant: Renseignez votre information (ou carte de visite) et l'information de l'installation de l'appareil ci-dessous.

Information du Détaillant

Nom du détaillant: _____
Location du détaillant: _____
Téléphone du détaillant: _____
E-mail du détaillant: _____

Client: _____
Adresse du Client: _____
Date d'Installation: _____
Location de l'appareil: _____
Installateur: _____

**Détaillant: Location du Carte de
Visite**

N° de série: _____

Modèle:

Gaz Naturel: GDI3NEA

Propane: GDI3PEA

1.0 apprendre à connaître votre appareil

La zone située au-dessus de l'ouverture de la cheminée incluant la barrière de protection, le cadre de la barrière et la surface du mur peuvent devenir très chauds durant l'opération et ne pas être touchés tant que l'appareil est éteint est complètement refroidi.

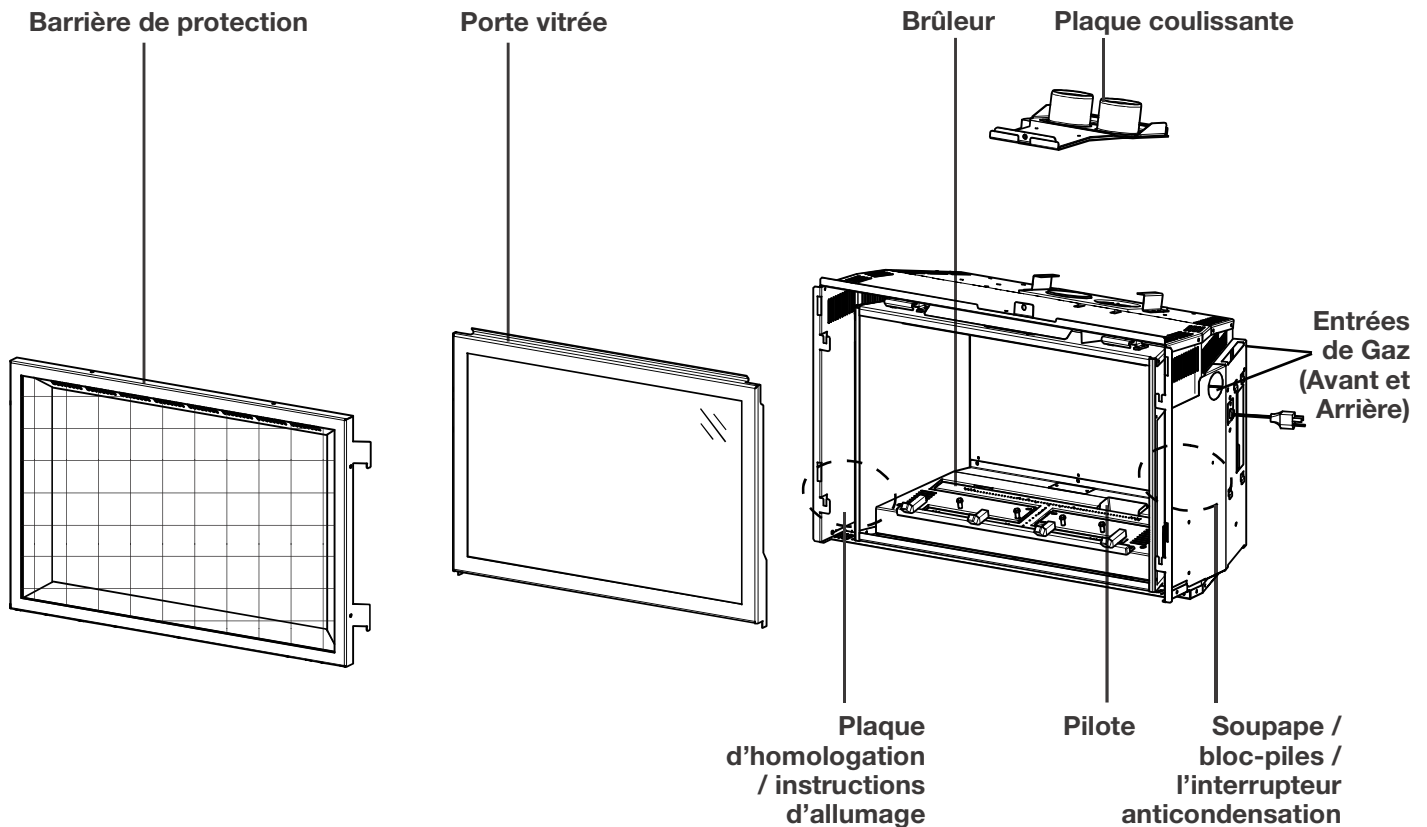
! AVERTISSEMENT

LA VITRE CHAUDE CAUSERA DES BRÛLURES.

NE PAS TOUCHER LA VITRE AVANT QU'ELLE AIT REFROIDI.

NE JAMAIS LAISSER LES ENFANTS TOUCHER LA VITRE.

Une barrière conçue à réduire le risque de brûlures causées par le verre chaud est fourni avec l'appareil et sera installée pour la protection des enfants et d'autres personnes à risque.



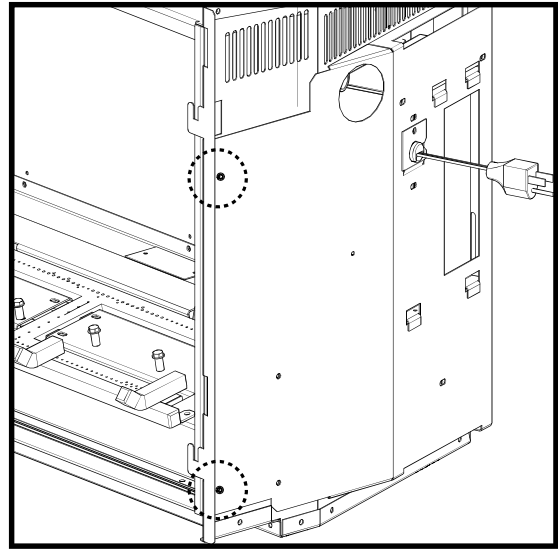
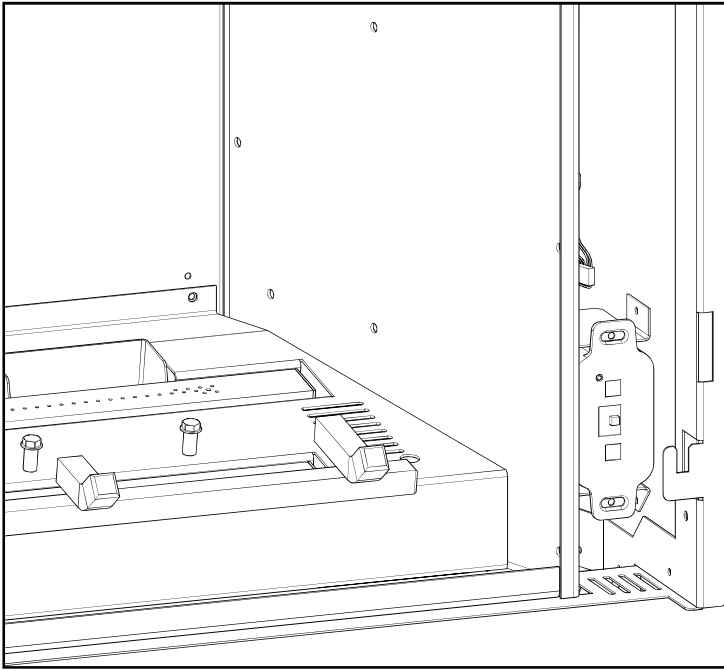
note:

Quelques caractéristiques et locations peuvent varier dépendant de votre appareil.

apprendre à connaître votre appareil

FR

1.1 accès aux contrôles



1.2 information sur la plaque d'homologation

Cette illustration est fournie à titre de référence seulement. Pour les renseignements exacts, consultez la plaque d'homologation fixée sur l'appareil.

Certified to Canadian and American National Standards: **CSA 2.22-XXXX / ANSI Z21.50-XXXX for Vented Decorative Gas Appliances**
 Certifié selon les Normes Nationales Canadiennes et Américaines: **CSA 2.22-XXXX / ANSI Z21.50-XXXX pour les Appareils à gaz décoratifs à évacuation**

Direct vent, vented gas fireplace. Approved for bedroom, bathroom and living/dining room installation. Suitable for mobile home installation. If installed in accordance with the current standard CAN / CSA 2242M Series gas equipped mobile homes in Canada, or in the United States, the Manufacturer Home Construction and Safety Standard, Title 24 CFR, Part 3285. When the US Standard is not applicable, use the Standard for Fire Safety Criteria for Manufactured Home Construction, Sites and Communities, ANSI / NFPA 501A. This appliance must be installed in accordance with local codes, if any. If none, follow the current ANSI Z221.50 or CSA B149. For use with barrier **XXXX-XXXX**, follow installation instructions. Pour le gaz venté, homologué pour installation dans une chambre à coucher, une salle de bain et un salon/dîner. Approuvé pour installation dans une maison mobile si son installation conforme aux exigences de la norme CAN / CSA 2242M Series de maisons mobiles équipées au gaz en vigueur au Canada, ou, aux États-Unis selon la norme 24 CFR, Part 3285, Manufacture Home Construction and Safety Standard. Dans le cas où code norme d'habitation n'est pas pertinent, utiliser la norme ANSI Z221.50, Fire Safety Criteria for Manufactured Home Installation, Sites and Communities. Installer l'appareil selon les codes ou règlements locaux ou, en l'absence de tels règlements, selon les codes d'installation ANSI Z221.50 ou CSA B149 en vigueur. Utiliser uniquement avec l'écran **XXXX-XXXX**. Suivre les instructions d'installation.

CSA ID 16 en vigueur. Utiliser uniquement avec l'écran **XXXX-XXXX**. Suivre les instructions d'installation.

970559 (WLS) 4001658 (NAC) 4001657 (NGZ) 4001659 (WUSA)

MODEL / MODÈLE

<input type="checkbox"/> XXXX	<input type="checkbox"/> XXXX	<input type="checkbox"/> XXXX	<input type="checkbox"/> XXXX
<input type="checkbox"/> XXXX	<input type="checkbox"/> XXXX	<input type="checkbox"/> XXXX	<input type="checkbox"/> XXXX

Altitude: XXXX XXXX XXXX XXXX XXXX XXXX

Input: XXXXXX XXXXXX XXXXXX XXXXXX XXXXXX XXXXXX

Reduced Input: XXXX% XXXX% XXXX% XXXX%

Manifold Pressure: 3.5" w.c. (NG) XXXX XXXX XXXX XXXX XXXX

Minimum Supply Pressure: 4.5" w.c. (NG) XXXX XXXX XXXX XXXX XXXX

Maximum Supply Pressure: 17" w.c. (NG) XXXX XXXX XXXX XXXX XXXX

Pressure at Collector: 3.5" of water column (GN) XXXX XXXX XXXX XXXX XXXX

Pressure of Alimentation Min.: 4.5" of water column (GN) XXXX XXXX XXXX XXXX XXXX

Pressure of Alimentation Max.: 17" of water column (GN) XXXX XXXX XXXX XXXX XXXX

Minimum clearance to combustibles materials: XXXX XXXX XXXX XXXX XXXX XXXX

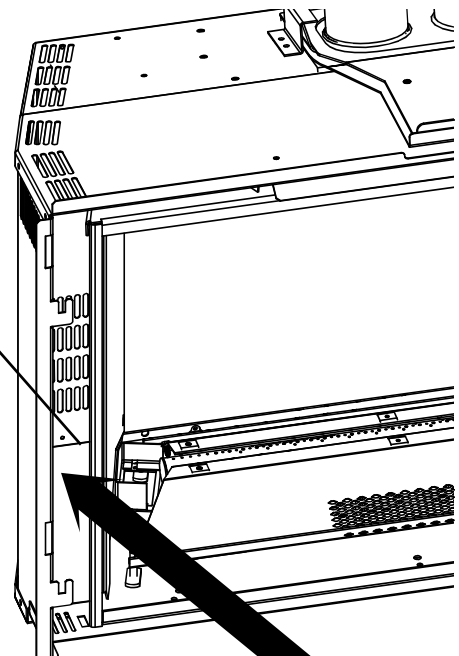
Clearance minimale des matériaux combustibles: XXXX XXXX XXXX XXXX XXXX XXXX

For natural gas when equipped with No. 20 or 21 size orifice. For propane when equipped with No. 20 or 21 size orifice. Consult the manual for orifice size and jet orifice diameter. For use with glass doors certified with this appliance only. Pour utilisation uniquement avec les portes en verre certifiées avec l'appareil.

WARNING: Do not add any material to the appliance which will come in contact with the burner other than that supplied by the manufacturer with the appliance. For propane use only when equipped with the appropriate propane vent kit. See installation manual for venting specifications. Préparer l'installation et régler si nécessaire selon les spécifications de ventilation.

AVERTISSEMENT: N'ajoutez pas de matériau qui entrerait en contact avec les brûleurs autres que celui qui est fourni avec cet appareil par le fabricant. L'appareil doit être ventilé à l'aide de l'ensemble d'évacuation prévu à l'origine. Référez au manuel d'installation ou les spécifications d'évacuation. Il est nécessaire de bien ventiler et régler l'évacuation après avoir exécuté l'entretien ou système de prise d'air.

Serial Number / N° de Série: **XXXX** W385-XXXX



Côté gauche de l'appareil (GDI3EA illustré)

note:
 La plaque d'homologation doit rester avec l'appareil à tout instant. Il ne doit pas être enlevé.

2.0 faite fonctionner votre appareil

FR

Lorsque vous utilisez votre appareil pour la première fois, il y a un rodage processus requis qui guérit les matériaux utilisés pour la fabrication de la cheminée qui peut émettre une odeur inhabituelle. Ces vapeurs sont normales lorsque vous utilisez un nouvel appareil pour la première fois. Assurer la circulation d'air suffisante est prévue au cours de la procédure de gravure.

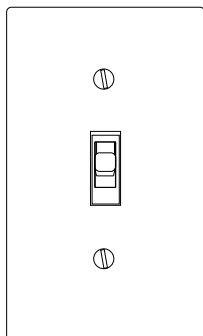
2.1 utilisation de votre appareil (millivolt seulement)

Pour allumer l'appareil :

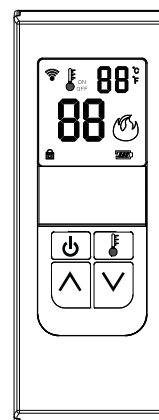
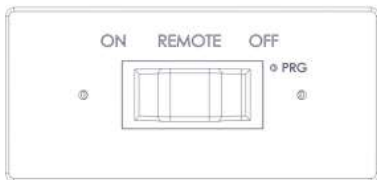
- A Allumez l'interrupteur marche/arrêt.
- B Après 3 à 5 secondes, le contrôle va commencer une étincelle à la veilleuse, allumer le pilote, puis le brûleur. La période d'allumage sera 60 dernières secondes, ou jusqu'à ce que le pilote a allumé.
- C Lorsqu'il est utilisé pour la première fois, si le processus de rodage n'était pas rempli par l'installateur faites fonctionner les appareil en permanence pendant 4 heures (burn-in).
- D Mettez l'appareil hors tension. Attendez que l'appareil est complètement refroidi avant de passer à l'étape suivante.
- E Enlever la porte de verre et barrière de sécurité et la porte vitrée. Nettoyez la porte vitrée (voir la section « entretien »). Remplacer porte vitrée et de la barrière de protection.

Pour plus d'informations, consultez votre manuel d'Installation ou de contacter votre revendeur agréé.

2.2 composants arrêt / marche



| Interrupteur On/Off | Sauvegarde de Pile (avec interrupteur) | Télécommande |
(Non fournie) (Optionnell) (Optional)



Les piles doivent être mises au rebut conformément aux lois et à la réglementation locales. Certaines piles peuvent être recyclées et acceptées dans votre centre de recyclage local. Renseignez-vous auprès de votre municipalité au sujet des directives de recyclage.

faite fonctionner votre appareil

FR

2.2.1 changeant les piles

AVERTISSEMENT

- Assurez-vous que l'alimentation électrique et la gaz à l'appareil est éteint.
- Assurez-vous que l'appareil est complètement refroidi avant de commencer service.

Installation des Piles

1. Retirez la sauvegarde de piles en la glissant vers l'avant du support (**Fig. 1**).
2. Installez les 2 piles « D ».
3. Réinstallez la sauvegarde de piles.

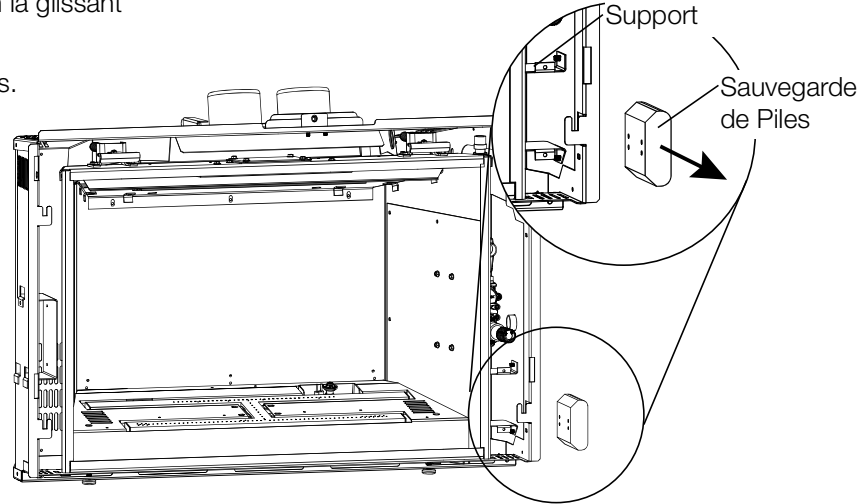
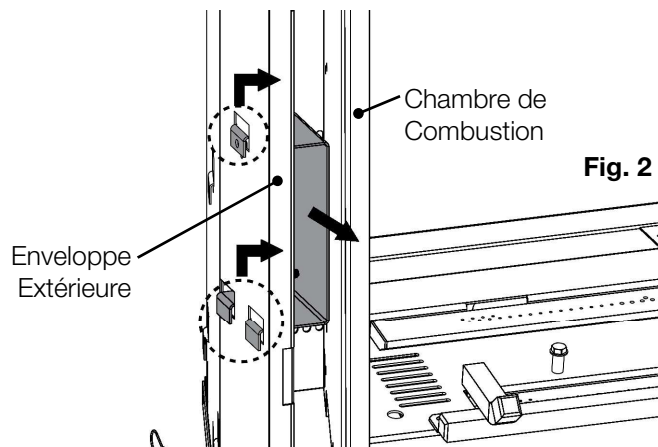
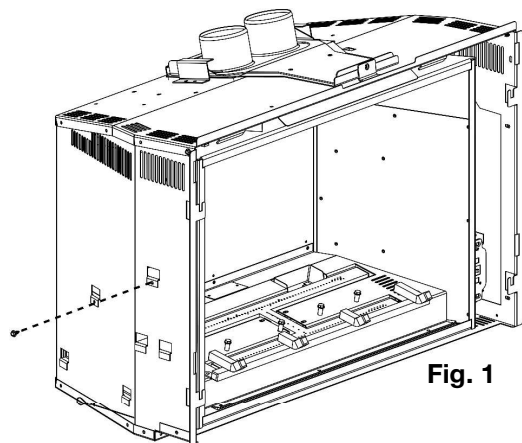


Fig. 1

2.3 installation de support pour récepteur optionnel F45/60

1. Retirez la barrière de protection et la porte vitrée (voir la section « enlèvement et installation de la barrière de protection et la porte »).
2. Retirez la 1 vis servant à fixer le support en place (**Fig. 1**). Soulevez le support et sortez-le des fentes, en le soulevant à travers l'ouverture entre le chambre de combustion et l'enveloppe extérieure de l'appareil (**Fig. 2**).



3. Insérez le récepteur optionnel (F45 ou F60). Fixez le récepteur en place à l'aide des 2 vis (fournis).
4. Placez le support et le récepteur à travers l'ouverture entre le chambre de combustion et l'enveloppe extérieure de l'appareil. Faites glisser le support et le récepteur dans et vers le bas des fentes (**Fig. 2 en sens inverse**).
5. Sécurisez la 1 vis pour fixer le support et le récepteur en place (**Fig. 1**).

3.0 fonctionnement

FR

AVERTISSEMENT

- Si ces instructions ne sont pas suivies à la lettre, un incendie ou une explosion pourraient s'ensuivre, causant des dommages matériels, des blessures corporelles ou des pertes de vie.
- Si applicable, allumez toujours la veilleuse, que ce soit pour la première fois ou lorsque l'approvisionnement en gaz est épuisé, avec la porte vitrée ouverte ou retirée.

Assurez-vous que l'arrivée de gaz au brûleur est continue avant d'installer la porte. Lorsqu'il est allumé pour la première fois, l'appareil dégagera une légère odeur pendant quelques heures. Cela est une condition normale temporaire causée par le conditionnement des bûches et l'évaporation des peintures et lubrifiants internes utilisés dans le processus de fabrication; elle ne se reproduira plus. Après de longues périodes sans utiliser l'appareil, comme à la suite de vacances ou à la fin de l'été, il se peut qu'une légère odeur se dégage pendant quelques heures. Ceci est causé par des particules de poussière brûlant dans l'échangeur de chaleur. Dans les deux cas, ouvrez une fenêtre pour aérer la pièce.

POUR VOTRE SÉCURITÉ, LISTEZ CE QUI SUIT AVANT D'ALLUMER L'APPAREIL:

- Ne pas allumer si des enfants ou d'autres individus à risque sont à proximité de la veilleuse.
- Cet appareil est équipé d'un dispositif d'allumage qui allume automatiquement la veilleuse. N'essayez pas de l'allumer manuellement.
- Avant d'allumer, sentez autour de l'appareil et près du plancher afin de vous assurer qu'il n'y a pas de fuite de gaz. Certains gaz sont plus lourds que l'air et se déposeront au niveau du plancher.
- N'utilisez pas cet appareil si une partie quelconque a été submergée. Contactez immédiatement un technicien qualifié pour l'inspecter et pour remplacer toute pièce du système de contrôle et du contrôle du gaz qui aurait été submergée.

QUE FAIRE SI VOUS DÉTECTEZ UNE ODEUR DE GAZ

- Coupez l'alimentation en gaz à l'appareil.
- Ouvrez les fenêtres.
- N'allumez aucun appareil.
- Ne touchez à aucun interrupteur électrique; n'utilisez aucun téléphone dans votre immeuble.
- De la maison d'un voisin, appelez immédiatement votre fournisseur de gaz et suivez ses instructions.
- Si vous ne pouvez pas rejoindre votre fournisseur de gaz, appelez le service des incendies.

INSTRUCTIONS D'ALLUMAGE

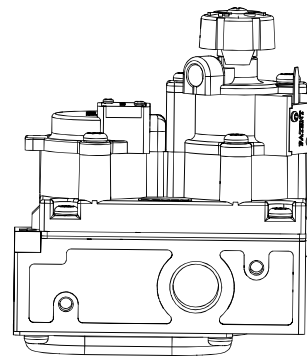
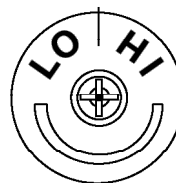
note:

Cet appareil est équipé d'un dispositif d'allumage qui s'allume automatiquement la veilleuse. N'essayez pas de l'allumer manuellement.

- Arrêtez! Lisez les consignes de sécurité ci-dessus.
- Enlevez tous les piles de la télécommande et régler le thermostat au réglage minimum, si équipé.
- Coupez l'alimentation électrique à l'appareil.
- Ouvrir la porte de l'appareil, si équipé.
- Tournez le bouton de contrôle du gaz vers la droite à « OFF ». (Elle est situé sur le connecteur flexible).
- Attendez cinq (5) minutes pour que le gaz puisse s'échapper. Si vous détectez une odeur de gaz, incluant au niveau du plancher, **ARRÊTEZ!** et suivez les instructions ci-dessus « QUE FAIRE SI VOUS DÉTECTEZ UNE ODEUR DE GAZ ». Continuez à l'étape suivante si vous ne sentez pas de gaz.
- Tournez le soupape fermeture manuelle vers la gauche à « ON ».
- Rétablissez l'alimentation électrique à l'appareil et installez les piles dans le télécommande, si équipé. Régler le thermostat à la position désirée, si équipé.
- Tournez l'interrupteur murale de l'appareil à la position « ON ».
- Si l'appareil ne fonctionne pas, suivre les instructions de « couper l'alimentation de gaz » et puis appelez votre technicien de service ou fournisseur de gaz.

COUPEZ L'ALIMENTATION DE GAZ

- Régler le thermostat à la réglage le plus bas, si équipé.
- Tournez l'interrupteur murale de l'appareil à la position « OFF ».
- Coupez l'alimentation électrique à l'appareil si un travail d'entretien doit être faites.
- Tournez le soupape fermeture manuelle vers la gauche « OFF ». Ne forcez pas.



3.1 instructions d'éclairage extrêmement froid

Afin de surmonter l'air froid qui peut s'accumuler dans le système d'évacuation par temps extrêmement froid, nous vous recommandons d'allumer et d'éteindre votre appareil au réglage de flamme le plus bas et avec le système de débit divisé pour le brûleur arrière fermé (le cas échéant). Une fois que l'appareil a fonctionné pendant au moins 5 à 10 minutes à feu bas, la flamme peut alors être augmentée à feu élevé et le brûleur arrière (système de débit divisé) peut être allumé (le cas échéant). Cela aidera à prévenir les arrêts indésirables pendant que l'encastrement se réchauffe et tente de surmonter le bloc d'air froid dans le système d'évacuation.

4.0 dessin de la télécommande

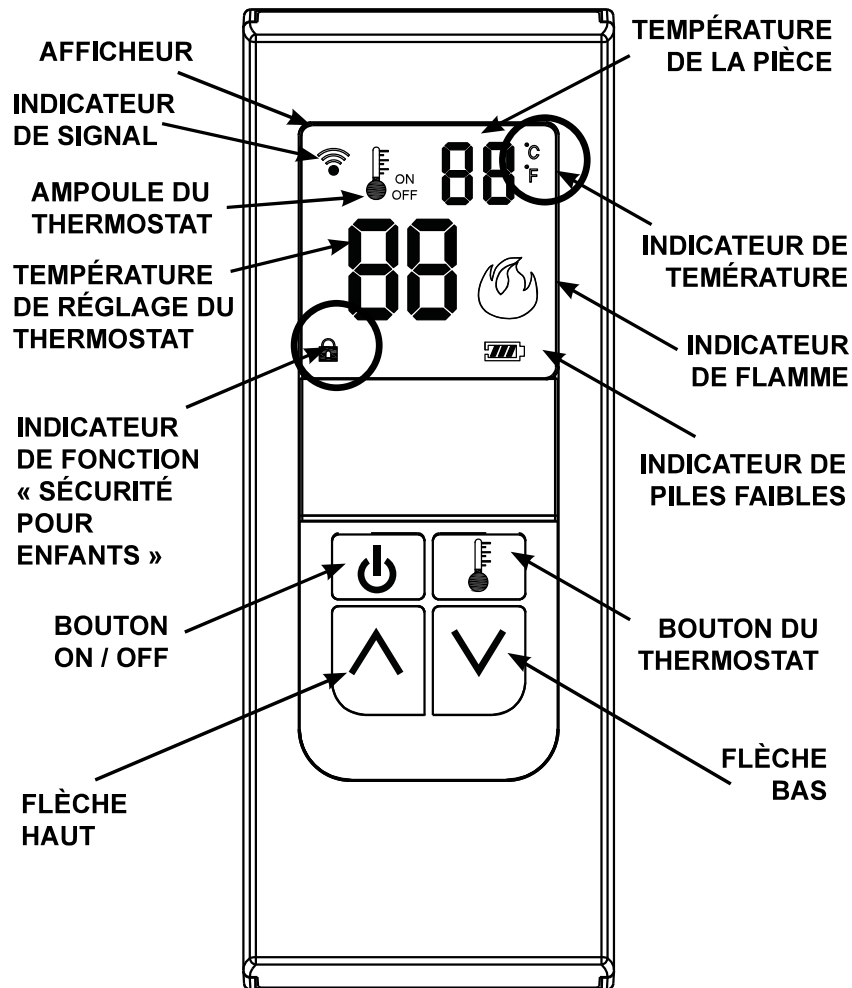
FR

4.1 dessin générale de la télécommande

note:

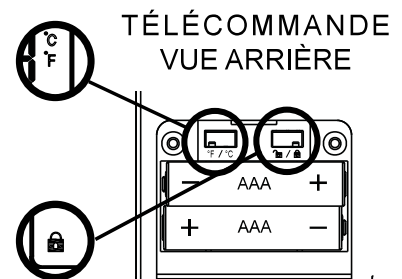
La télécommande est optionnel.

L'interrupteur du récepteur doit être en position « **REMOTE** » pour que la télécommande fonctionne. Le système de télécommande fonctionne par radiofréquences qui sont envoyées par la télécommande au récepteur. Il est recommandé que la distance entre la télécommande et le récepteur n'excède jamais 20' et 10' si le récepteur est situé dans la cavité intérieure ou extérieure du foyer autour d'un encastré. Des piles faibles réduiront également la distance de fonctionnement.



4.2 affichage de température

Retirez le couvercle des piles au dos de la télécommande afin d'avoir accès à l'interrupteur °C/°F. Placez l'interrupteur au mode désiré. Le mode de température choisi apparaîtra dans le coin supérieur droit, à côté de la température de la pièce.



disposition de la télécommande

FR

4.3 en cas de panne de batterie

Si les piles du récepteur tombent en panne, l'appareil ne s'allume ou ne s'éteint plus. Pour faire fonctionner l'appareil en cas de panne de batterie, l'interrupteur à glissière situé sur le récepteur peut être mis en position «ON» pour faire fonctionner l'appareil.

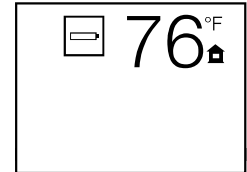
4.4 piles faible

La durée de vie des piles peut dépendre de plusieurs facteurs: la qualité des piles, le nombre d'allumages, le nombre de changements de réglage du thermostat de la télécommande, etc.

Lorsque les piles de la télécommande sont faibles, l'icône de pile apparaîtra sur l'afficheur ACL avant que les piles soient complètement déchargées. Une fois que les piles sont remplacées, cette icône disparaîtra.

Lorsque les piles du récepteur sont faibles, celui-ci n'émettra pas de « bip » lorsqu'il recevra une commande « **marche/arrêt** ». Ceci est pour vous signaler que les piles du récepteur sont faibles. Lorsque les piles sont remplacées, le récepteur émettra un « bip » lorsque la touche **marche/arrêt** est appuyée.

Si les piles dans le bloc-piles ou dans la télécommande sont faibles, vous pouvez allumer l'appareil manuellement en glissant le commutateur à glissière du bloc-piles à la position « **on** ». Ceci contournera la fonction de la télécommande, et le brûleur principal de l'appareil s'allumera si la soupape de gaz est à la position « **on** ».



5.0 dégagements autour de l'appareil

FR

! AVERTISSEMENT

- Votre appareil, raccordement gaz/électrique, ventilation et divers composants clés sont cachés derrière le mur. Il est essentiel qu'aucune vis pénètrent ces composants. Non-respect des instructions peut provoquer un fonctionnement incorrect, dommages, blessures ou feu. Utilisez toujours un localisateur de montants et seulement visser dans les montants.

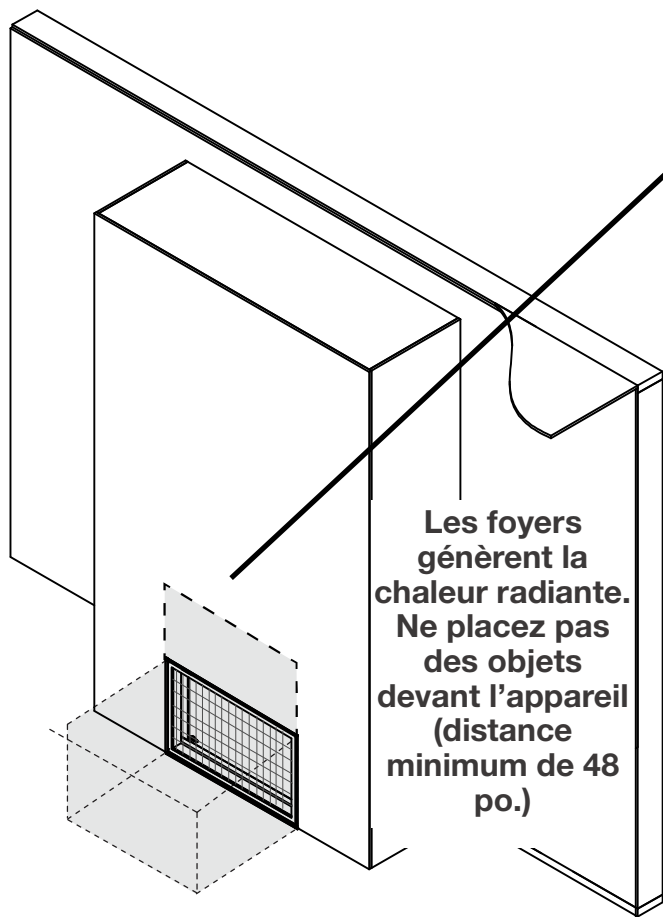
Sans prendre les dispositions adéquates pour tenir compte de la chaleur, les températures au-dessus de la cheminée sera chauds, rendant impropres pour le montage d'un téléviseur ou autres objets sensibles à la chaleur sans risques de dommages.

Installation d'un manteau de cheminée entre cet appareil et électronique ou d'autres matériaux qui peut-être être sensibles à la chaleur réduira l'effet de la chaleur directe sur eux.

La taille et le matériel du manteau affecteront le jeu autorisé au-dessus de votre cheminée et un positionnement incorrect pourrait devenir un risque d'incendie. Consultez votre revendeur d'autorisé et/ou manuel d'installation pour plus d'informations avant d'installer un manteau, une étagère, ou n'importe quel autre objet au-dessus de votre appareil.

Votre cheminée, de branchements gaz/électriques et de ventilation sont cachés derrière le mur fini. Il faut en grand pour éviter de visser ou clouer dans ces composants. Utilisez toujours un localisateur de montants pour déterminer l'emplacement des montants et seulement visser dans les montants.

Ne pas visser dans les environs de l'ouverture de l'appareil car une partie de votre appareil peut être cachée derrière le mur fini. Référez-vous à votre manuel d'installation et/ou contactez votre revendeur local pour plus d'information.



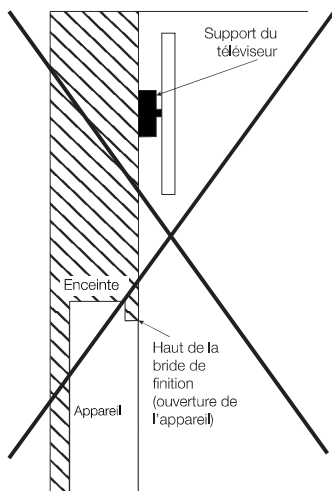
! AVERTISSEMENT

La zone située au-dessus de la cheminée devient chaud. Objets combustibles ne doivent jamais être placés dans ce domaine. Pour les exigences minimaux, référez au manuel d'installation ou de votre revendeur agréé.

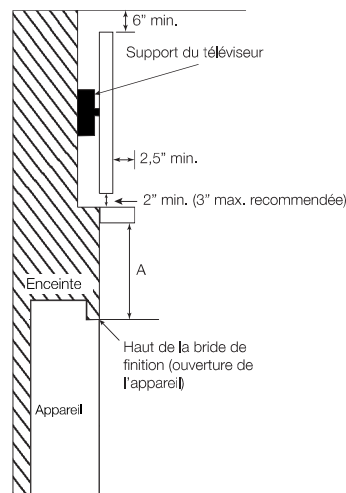
dégagements autour de l'appareil

FR

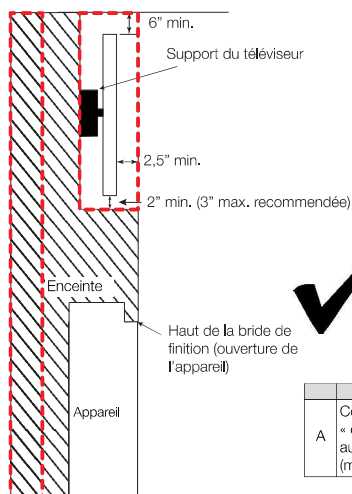
Installation affleurant sans un manteau



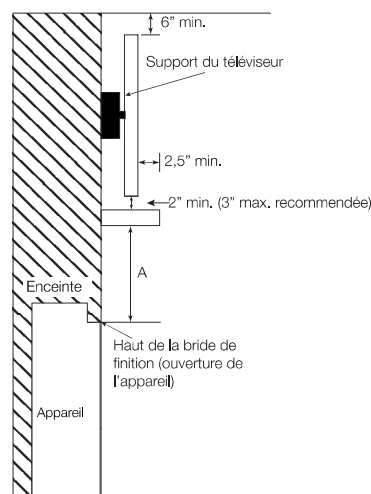
Installation partiellement enchâssées avec un manteau



Installation enchâssées avec une saillie



Installation affleurant avec un manteau



A	Consultez la section « dégagements minimal au manteau combustible » (manuel d'installation).
---	--

 Le volume d'air doit être ajouté à l'enceinte pour accueillir l'espace encastré.

note:

- Il s'agit des dégagements minimaux recommandés; ceux-ci sont fournis de bonne foi et ne constituent pas une garantie de conformité aux températures de fonctionnement maximales autorisées par le fabricant du téléviseur. Conformez-vous toujours aux exigences du fabricant du téléviseur.
- **Les températures du téléviseur doivent être validées au moment de l'installation**, car les caractéristiques de débit d'air dans la pièce peuvent varier et les températures de fonctionnement maximales acceptables peuvent varier d'un appareil à l'autre. Le téléviseur ne peut pas être utilisé lorsque sa température dépasse les températures de fonctionnement maximales autorisées par le fabricant (voir les caractéristiques techniques du fabricant du téléviseur).
- La hauteur de la profondeur du manteau doivent être conformes aux exigences de dégagements du manteau précisées dans ce manuel, consultez la section « dégagements minimal au manteau combustible » dans le manuel d'installation.
- La dimension « A » représente l'écart entre le haut de la bride de finition et le bas du téléviseur, à partir du haut de l'ouverture du foyer.
- Les températures du téléviseur peuvent être encore réduites en augmentant la distance horizontale entre l'avant du téléviseur et le bord avant du manteau, ou alors en augmentant la dimension « A ». Toutefois, l'augmentation de l'écart entre le haut du manteau et le bas du téléviseur au-delà de la valeur maximale recommandée entraîne généralement des températures plus élevées. Le dégagement minimale entre le manteau et le bas du téléviseur doit être maintenu pour permettre la circulation de l'air.

AVERTISSEMENT

- Coupez l'alimentation en gaz et l'alimentation électrique avant de procéder à l'entretien de l'appareil.
 - L'appareil peut être chaud. Attendez qu'il soit refroidi avant d'en faire l'entretien.
- Pour les techniciens qualifié seulement:**
- Lors de l'entretien des contrôles, assurez-vous d'identifier chacun des fils avant de les débrancher. Une réinstallation incorrecte des fils peut occasionner un mauvais fonctionnement et être dangereuse.
 - Cet appareil est son système d'évacuation devraient être inspectés avant la première utilisation et au moins une fois l'an par un technicien service qualifié.
 - Les apports d'air comburant et d'air de convection ne doivent pas être obstrués.

IL FAUT

- Nettoyer votre barrière de protection régulièrement pour prévenir les peluches/poussières provenant des tapis, des animaux, etc/. Il suffit de passer l'aspirateur à l'aide de l'embout avec une brosse.
- Toujours utiliser des nettoyeurs à vitres sans ammoniaque.
- Nécessiter un entretien qui devra être effectué sur une base annuelle. L'entretien doit être conduit pas un technicien qualifié.
- Laisser l'espace entourant l'appareil propre et libre de matériaux combustibles, d'essence ou autres liquides et vapeurs inflammables.
- Vérifiez si le brûleur allume sur tous les orifices lorsque l'appareil marche. Un temps d'allumage total de 5 à 10 seconds est satisfaisant. Service selon les besoins.

IL NE FAUT PAS

- Essayez d'entretenir l'électrique ou des composants de gaz. Contacter un technicien qualifié.
- Utiliser une force excessive.
- Utiliser de nettoyeurs abrasifs sur verre.
- Peinturez l'ensemble du pilote.
- Placer pas les objets trop près de l'ouverture de la cheminée.

note:

Pour toute question ou des préoccupations au sujet de votre appareil, l'entretien et le service, contacter votre détaillant agréé.

AVERTISSEMENT

- Nettoyer pas la vitre lorsqu'elle est chaude! N'employez pas de détergents abrasifs pour nettoyer la vitre.

Porte vitrée du chambre de combustion :

N'utilisez pas les nettoyeurs sans ammoniacque.

Polissez légèrement à l'aide d'un linge propre et sec pour enlever la poussière et les traces de doigts. Nettoyez les deux côtés de la vitre avec un nettoyant sans ammoniacque après les dix premières heures de fonctionnement.

note:

Les nettoyants à base de vinaigre procurent habituellement une surface propre et sans traces.

Par la suite, nettoyez aussi souvent qu'il le faudra, sinon la vitre risque de rester marquée en permanence.

Ne touchez pas la surface intérieure ou extérieure de la vitre avec des lames de rasoir, de la laine d'acier ou d'autres objets métalliques puisque la mince couche de métal retirée de l'objet pourrait se déposer sur le revêtement causant une décoloration ou une égratignure. Plus important encore, cela peut rayer la surface du verre réduisant ainsi sa puissance.

Ne pas faire fonctionner l'appareil avec la vitre brisée, les fuites de gaz de combustion peut résulter.

Contactez votre détaillant local autorisé pour les instructions de nettoyage complètes.

Si la vitre devait fissurer pendant que le feu brûle, n'ouvrez pas la porte jusqu'à ce que le feu s'éteigne et n'utilisez pas l'appareil jusqu'à ce que la vitre ait été remplacée par une nouvelle, disponible chez votre détaillant autorisé. **N'UTILISEZ PAS DE MATÉRIAUX SUBSTITUTS.**

L'ensemble de verre/cadre de remplacement est remplacé comme une unité cinplète telle que fournie par le fabricant de l'appareil.

L'appareil est muni d'une vitre en verre céramique. Remplacez uniquement avec une vitre certifiée pour le foyer disponible chez votre détaillant. **N'UTILISEZ PAS DE MATÉRIAUX SUBSTITUTS.**

6.2 soins des pièces plaquées

Si l'appareil est muni de pièces plaquées, vous devez enlever toutes traces de doigts ou autres marques des surfaces plaquées avant d'allumer l'appareil pour la première fois. Utilisez les nettoyants sans ammoniacque ou à base de vinaigre. Si la surface plaquée n'est pas bien nettoyée avant le premier allumage de l'appareil, elle risque de rester marquée en permanence. Une fois que la surface plaquée aura chauffé, les traces de doigts et le gras n'affecteront plus la surface et très peu d'entretien sera requis; vous n'aurez qu'à l'essuyer au besoin. Une combustion prolongée à haute température avec la porte ouverte peut causer une décoloration des pièces plaquées.

note:

L'emballage de protection sur les pièces plaquées s'enlève mieux lorsque l'assemblage est à température ambiante ou lorsqu'il est chauffé (c.à.d. avec un séchoir à cheveux ou une autre source de chaleur similaire).

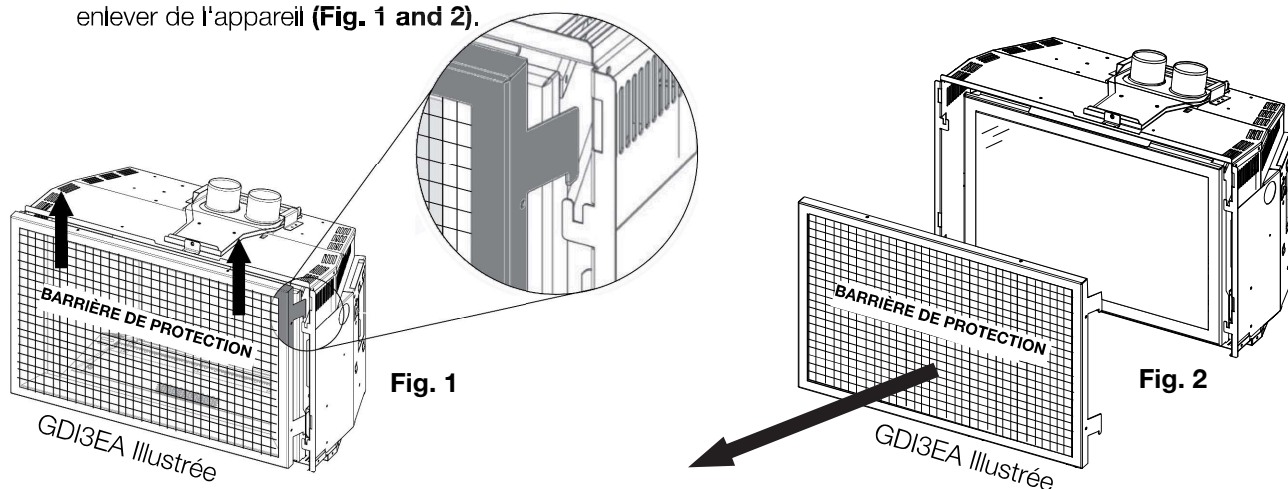
6.3 enlèvement / installation de la barrière de protection et la porte vitrée

! AVERTISSEMENT

- La vitre peut être chaude. Ne touchez pas la vitre jusqu'à ce qu'elle ait refroidi.
- Si équipé avec les loquets de porte qui font partie d'un dispositif de sécurité, ils doivent être adéquatement verrouillés. Ne faites pas fonctionner l'appareil lorsque les loquets sont déverrouillés.
- Les matériaux de façade et de finition ne doivent pas nuire à la circulation de l'air dans les ouvertures d'air et les persiennes, ni au fonctionnement des persiennes ou des portes ni l'accès pour l'entretien. Respectez tous les dégagements aux matériaux combustibles
- Avant d'enlever la porte, éteignez l'appareil et attendez que ce dernier soit froid au toucher. Les portes sont lourdes et fragiles; manipulez avec soin.

Une barrière conçue à réduire le risque de brûlures à partir de la chaude la vitre est à condition que avec l'appareil et sera être installés.

1. Avant d'enlever la porte vitrée, la barrière de protection doit être enlever. Soulevez la barrière de protection hors des 4 goupilles et enlever de l'appareil, puis inclinez la partie haut du porte vitrée puis enlever de l'appareil (**Fig. 1 and 2**).



note:

Le cas échéant, la façade optionnelle doit être retirée pour permettre la porte vitrée ouvrir ou fermer.

2. Déverrouillez les loquets supérieurs gauche et droit situées dans le haut de la porte (**Fig. 3**). Penchez légèrement vers l'avant puis soulevez hors des fentes.

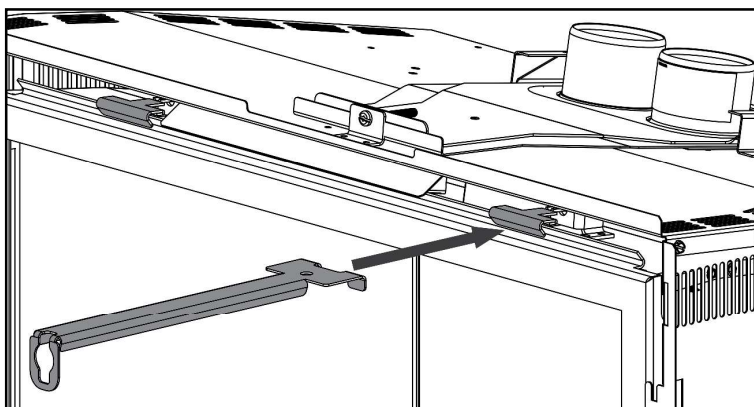


Fig. 3

3. Inversez ces étapes pour réinstaller la barrière de protection et la porte. Assurez-vous que la barrière de protection et correctement installé.

7.0 pièces de rechange

FR



AVERTISSEMENT

- Omettre de positionner les pièces conformément à ce manuel ou d'utiliser uniquement des pièces spécifiquement approuvées pour cet appareil peut causer des dommages matériels ou des blessures corporelles.

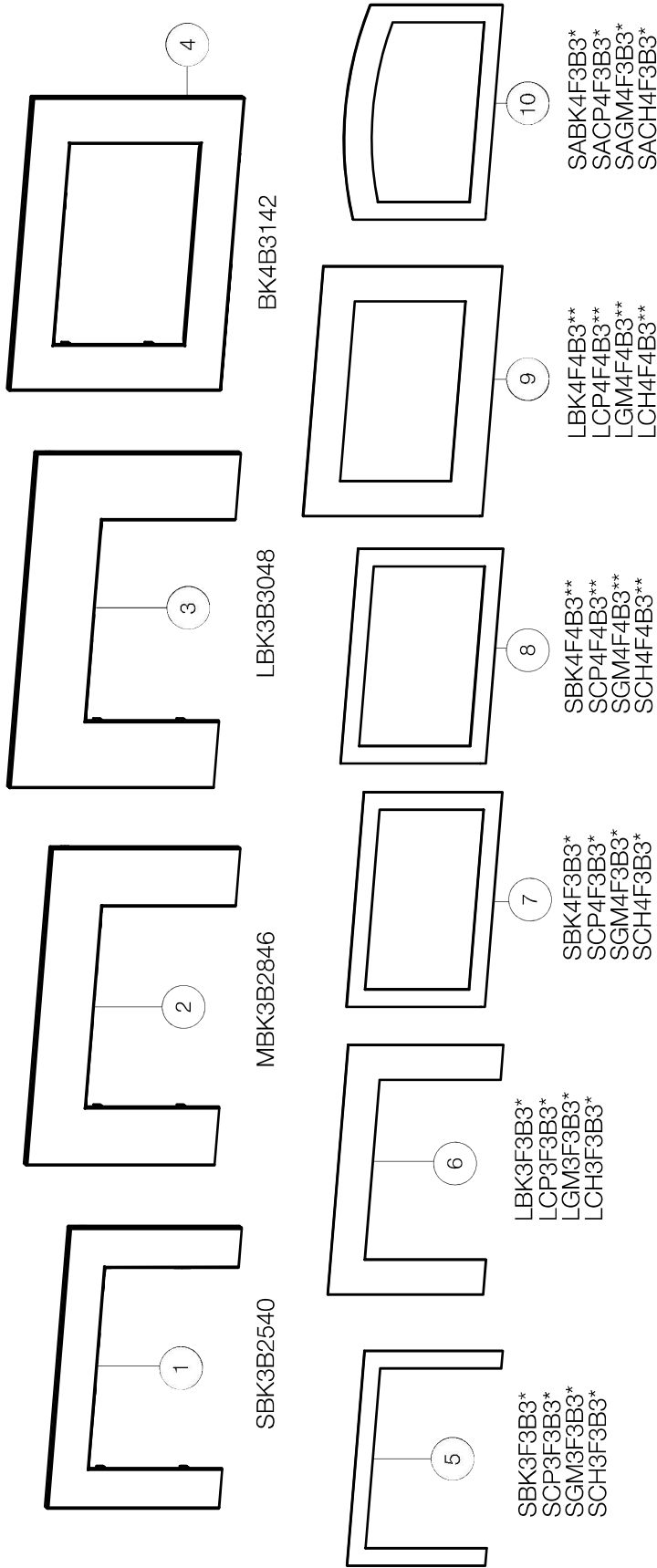
Contactez votre détaillant pour les questions concernant les prix et la disponibilité des pièces de rechange. Normalement, toutes les pièces peuvent être commandées chez votre détaillant autorisé.

Pour un remplacement de pièce sous garantie, une photocopie de la facture originale sera requise afin de pouvoir honorer la demande.

Lorsque vous commandez des pièces, donnez toujours l'information suivante:

- Modèle et numéro de série de l'appareil
- Date d'installation de l'appareil
- Numéro de pièce
- Description de la pièce
- Fini

Pour les pièces de service, voir le manuel d'installation.

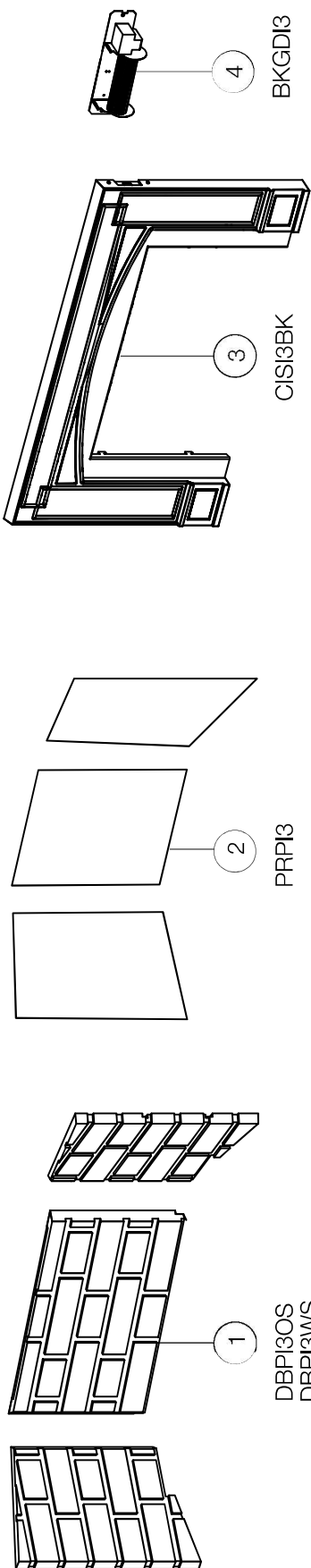


* Pour utilisation avec plaque arrière à 3 côtés (voir SBK3B2540, MBK3B2846, ou LBK3B3048).

** Pour utilisation avec plaque arrière à 4 côtés (voir BK4B3142).

Ces articles peuvent différer de celles illustrées.

Réf.	No. de Pièce	Description	En Stock	Réf.	No. de Pièce	Description	En Stock
1	SBK3B2540	Plaque arrière à 3 côtés, petite		7	SGM4F3B3 *	Plaque frontale à 4 côtés, petite, bronze à canon	
2	MBK3B2846	Plaque arrière à 3 côtés, moyen		7	SCH4F3B3 *	Plaque frontale à 4 côtés, petite, charbon	
3	LBK3B3048	Plaque arrière à 3 côtés, grande		8	SBK4F4B3 **	Plaque frontale à 4 côtés, petite, noire	
4	BK4B3142	Plaque arrière à 4 côtés, grande		8	SCP4F4B3 **	Plaque frontale à 4 côtés, petite, cuivre	
5	SBK3F3B3 *	Plaque frontale à 3 côtés, petite, noire		8	SGM4F4B3 **	Plaque frontale à 4 côtés, petite, bronze à canon	
5	SCP3F3B3 *	Plaque frontale à 3 côtés, petite, cuivre		8	SCH4F4B3 **	Plaque frontale à 4 côtés, petite, charbon	
5	SGM3F3B3 *	Plaque frontale à 3 côtés, petite, bronze à canon		9	LBK4F4B3 **	Plaque frontale à 4 côtés, grande, noire	
5	SCH3F3B3 *	Plaque frontale à 3 côtés, petite, charbon		9	LCP4F4B3 **	Plaque frontale à 4 côtés, grande, cuivre	
6	LBK3F3B3 *	Plaque frontale à 3 côtés, grande, noir		9	LGM4F4B3 **	Plaque frontale à 4 côtés, grande, bronze à canon	
6	LCP3F3B3 *	Plaque frontale à 3 côtés, grande, cuivre		9	LCH4F4B3 **	Plaque frontale à 4 côtés, grande, charbon	
6	LGM3F3B3 *	Plaque frontale à 3 côtés, grande, bronze à canon		10	SABK4F3B3 *	Plaque frontale arquée à 4 côtés, petite, noire	
6	LCH3F3B3 *	Plaque frontale à 3 côtés, grande, charbon		10	SACP4F3B3 *	Plaque frontale arquée à 4 côtés, petite, cuivre	
7	SBK4F3B3 *	Plaque frontale à 4 côtés, petite, noire		10	SAGM4F3B3 *	Plaque frontale arquée à 4 côtés, petite, bronze à canon	
7	SCP4F3B3 *	Plaque frontale à 4 côtés, petite, cuivre		10	SACH4F3B3 *	Plaque frontale arquée à 4 côtés, petite, charbon	



Ces articles peuvent différer de ceux illustrés.

Réf.	No. de Pièce	Description	En Stock
1	DBP13OS	Panneaux décoratifs simili-briques rouge rustique	
1	DBP13WS	Panneaux décoratifs simili-briques Westminster	
1	DBP13NS	Panneaux décoratifs simili-briques Newport	
2	PRP13	Panneaux réflecteurs radiants en porcelaine	
3	CIS13BK	Façade en fonte noire	
4	BKGDI3	Kit de soufflerie	

symptôme	problème	solution
La flamme du brûleur est bleue, parasiteuse et transparente.	Système d'évacuation bloqué.	- Enlevez ce qui obstrue. Dans des conditions de froid extrême, une accumulation de glace peut se former sur la terminaison et devrait être enlevé lorsque nécessaire.
Formes de film blanc / gris.	Teneur en soufre du combustible est étant déposé sur les surfaces en verre, bûches, ou chambre de combustion	- Nettoyez la vitre avec un nettoyant pour vitres de cheminée gaz recommandée. NE PAS NETTOYER VERRE LORSQUE CHAUD. - Si les dépôts ne sont pas nettoyés régulièrement, le verre peut devenir définitivement marqué.
Gaz d'échappement se sentait dans la salle, maux de tête.	Appareil est renversant. (Ce n'est pas applicable dans les appareils extérieurs)	- Mettez hors tension de l'appareil. Contacter un technicien.
Pilote ne s'allume pas. Fait du bruit avec aucune étincelle à veilleuse. (uniquement électronique)	Aucun signal à distance avec aucun pilote allumage	- Reprogrammer le code du récepteur. - Remplacer le récepteur.
Étincelle à la veilleuse mais celle-ci ne s'allume pas.	Alimentation en gaz.	- Vérifiez si la soupape à bille du conduite d'arrivée du gaz est « ouverte ».
	Plus de propane.	- Remplir le réservoir.
	Récepteur (si équipé).	- Suivez les instructions fourni avec la télécommande installer avec votre appareil pour réinitialiser le reprogramme. - Remplacez le récepteur.
Interrupteur mural est en position « off »; le brûleur s'allume.	L'interrupteur mural est monté à l'envers.	- Inverse.
	Interrupteur mural et/ou le fil est relié à la terre.	- Remplacer. - Vérifier la masse (court); réparer ou remplacer les fils.
	Câblage défectueux.	- Remplacer.
Le télécommande/récepteur ne fonctionne pas correctement.	La télécommande s'allume mais aucune étincelle ou flamme. La télécommande est verrouillé).	Réinitialiser en tournant l'alimentation « off » puis « on ». note: Si les piles de sauvegarde sont installées, ils doivent être pour programmer le télécommande.
	Les piles sont faibles.	- Remplacez les piles.
	Erreur de synchronisation.	- Réinitialiser la télécommande et le récepteur.
	Télécommande est trop loins du récepteur.	- Voir la section « schéma de câblage ».
Les flammes sont très actives.	La porte est ouvert.	- Assurez-vous que la porte est bien fermée.
L'appareil n'effectue aucune fonction.	Pas de puissance au système.	- Vérifiez que le disjoncteur est dans le position « on ».
	L'interrupteur du récepteur est à la mauvaise position (si équipé).	- Vérifiez que le récepteur est dans le position « remote » (milieu)
	La télécommande ne fonctionne pas.	- Vérifiez les piles ainsi que leur orientation.

10.0 garantie

FR

Les produits Napoléon sont fabriqués conformément aux normes strictes du Système de Gestion de la Qualité mondialement reconnu ISO 9001 : 2015.

Les produits Napoléon sont conçus avec des composants et des matériaux de qualité supérieure, assemblés par des artisans qualifiés qui sont fiers de leur travail. Le brûleur et le montage de la soupape subissent un test de détection de fuite et d'allumage à une station de test de qualité. Une fois assemblé, chaque appareil est soigneusement inspecté par un technicien qualifié avant d'être emballé pour garantie que vous, le client, recevez le produit de qualité dont vous vous attendez de Napoléon.

Garantie à Vie Limité du Président des Appareils au Gaz Napoléon

Les matériaux suivants et la fabrication de votre nouveau appareil au gaz Napoléon sont garantis contre les défauts tant que vous en êtes le propriétaire. Ceci couvre la chambre de combustion, l'échangeur de chaleur, le brûleur en acier / inoxydable, les bûches Phazer™ et les braises, les roches, la vitre en céramique (cassure thermique seulement), les pièces plaquées ou contre le ternissement, les composants en porcelaine émaillée et les moules d'extrusion en aluminium*

Les composants électriques (110V et millivolt) et les pièces soumises à l'usure sont couverts et Napoléon fournira gratuitement les pièces de rechange durant la première année de la garantie limitée. Ceci couvre la soufflerie, les soupapes de gaz, l'interrupteur thermique, les interrupteurs, l'installation électrique, les télécommandes, l'allumeur, les joints d'étanchéité et l'assemblage de la veilleuse.*

Les coûts de main-d'œuvre relatifs aux réparations garanties sont couverts gratuitement durant la première année. (Les coûts de main-d'œuvre n'est pas disponible pour l'ensemble de bûches à gaz). Cependant, les travaux de réparation nécessitent l'approbation préalable d'un représentant autorisé de la compagnie. Les coûts de main-d'œuvre à la charge de Napoléon sont basés sur un programme de tarifs prédéterminé et tout travail de réparation doit être accompli par l'entremise d'un représentant autorisé Napoléon.

* La fabrication de chaque modèle varie. La garantie s'applique uniquement aux composants disponibles avec votre appareil.

Conditions et Limitations

Napoléon garantit ses produits contre les défauts de fabrication à l'acheteur d'origine seulement. L'enregistrement de la garantie n'est pas nécessaire. Fournissez simplement une preuve d'achat ainsi que le modèle et le numéro de série afin d'effectuer une réclamation de garantie. Napoléon se réserve le droit de demander à son représentant d'inspecter tous produits ou pièces avant d'honorer toute réclamation. L'achat doit avoir été fait par l'entremise d'un détaillant Napoléon autorisé et sous réserve des conditions et limitations suivantes:

La couverture de la garantie débute à partir de la date d'installation originale. Cette garantie du fabricant n'est pas transférable et ne peut être prolongée par aucun de nos représentants. L'appareil au gaz doit être installé par un installateur autorisé qualifié, une agence de service ou fournisseur. L'installation doit être faite conformément aux instructions d'installation incluses avec le produit et à tous les codes d'incendie et de construction locaux et nationaux. Cette garantie limitée ne couvre pas les dommages causés par un mauvais usage, un manque d'entretien, un accident, des altérations, des abus ou de la négligence et l'installation de pièces d'autres fabricants annule cette garantie. Cette garantie limitée ne couvre pas non plus les égratignures, les bossellements, la corrosion ou la décoloration causés par une chaleur excessive, des produits d'entretien chimiques et abrasifs ou l'écaillage des pièces en porcelaine émaillée, le bris par manipulation des bûches PHAZER™ et des braises.

Cette garantie s'étend à la réparation ou au remplacement des pièces garanties dont les matériaux ou la fabrication sont défectueux à la condition que le produit ait été utilisé conformément aux instructions de fonctionnement et dans des conditions normales. Après la première année, concernant cette Garantie à Vie Limitée du Président, Napoléon peut, à sa discrétion, se libérer entièrement de toutes obligations en ce qui concerne cette garantie en remboursant à l'acheteur d'origine le prix de gros de toute pièce garantie qui est défectueuse.

Napoléon ne sera pas responsable de l'installation, de la main-d'œuvre ou autres dépenses relatives à la réinstallation d'une pièce garantie et de telles dépenses ne sont pas couvertes par cette garantie.

Nonobstant toutes les dispositions contenues dans cette Garantie à Vie Limitée du Président, la responsabilité de Napoléon sous cette garantie est définie comme ci-dessus et elle ne s'appliquera à aucun dommage accidentel, consécutif ou indirect. Cette garantie définit l'obligation et la responsabilité de Napoléon en ce qui concerne l'appareil au gaz Napoléon et toute autre garantie énoncée ou implicite en ce qui concerne ce produit, ses composants ou accessoires est exclue.

Napoléon n'endosse ni n'autorise aucun tiers à assumer en son nom toute autre responsabilité concernant la vente de ce produit.

Napoléon ne sera pas responsable d'une surchauffe, des retournements, des déversements causés par des conditions environnementales telles que des toits, des bâtiments, la proximité d'arbres, de collines, de montagnes, une ventilation ou des événements inadéquats, une configuration d'évacuation excessive, un apport d'air insuffisant ou des pressions négatives qui peuvent ou non être causés par des systèmes mécaniques tels que les ventilateurs d'évacuation, les fournaises, les sècheuses de linge, etc. Tout dommage causé à l'appareil, à la chambre de combustion, à l'échangeur de chaleur, aux garnitures plaquées ou autres composants par l'eau, les dommages causés par les intempéries, de longues périodes d'humidité, la condensation, des produits chimiques ou produits d'entretien nuisibles ne seront pas la responsabilité de Napoléon. Toutes les pièces remplacées en vertu de la politique de Garantie à Vie Limitée du Président ne peuvent faire l'objet que d'une seule réclamation. Durant les dix premières années, Napoléon remplacera ou réparera les pièces défectueuses qui sont couvertes par la garantie à vie limitée à sa discrétion gratuitement. Après les dix premières années, Napoléon fournira les pièces de rechange à 50% du prix de détail courant. Toutes les pièces remplacées au titre de la garantie seront couvertes pour une période de 90 jours à partir de leur date d'installation. Le fabricant peut exiger que les pièces défectueuses ou les produits soient retournés ou que des photos numériques soient fournies pour valider la réclamation. Les produits retournés doivent être expédiés port payé au fabricant pour une inspection en usine. Si un produit est déclaré défectueux, le fabricant le réparera ou le remplacera. Avant d'expédier votre appareil ou les pièces défectueuses, votre détaillant doit obtenir un numéro d'autorisation. Toute marchandise expédiée à notre usine sans autorisation sera refusée et retournée à l'expéditeur.

Les coûts d'expédition ne sont pas couverts par cette garantie.

Des frais de service supplémentaires peuvent être appliqués si vous cherchez à obtenir des services au titre de la garantie auprès d'un détaillant.

Les indemnités de main-d'œuvre au titre de la garantie s'appliquent uniquement pour le remplacement d'une pièce garantie.

Les frais de déplacement, de tests de diagnostic, d'expédition et autres frais afférents ne sont pas couverts par cette garantie.

Toutes les spécifications et les conceptions sont sujettes à modifications sans préavis en raison des améliorations constantes apportées au produit. Napoléon est une marque de commerce déposée de Wolf Steel Ltée.

Lined writing area consisting of 30 horizontal lines.

NAPOLÉON CÉLÈBRE PLUS DE 40 ANS D'EXISTENCE CONSACRÉS À LA CONCEPTION DE PRODUITS DE CONFORT



7200, Route Transcanadienne, Montréal, Québec H4T 1A3
24 Napoleon Road, Barrie, Ontario, Canada L4M 0G8
214 Bayview Drive, Barrie, Ontario, Canada L4N 4Y8
103 Miller Drive, Crittenden, Kentucky, USA 41030
De Riemsdijk 22, 4004 LC Tiel, Pays-Bas

Téléphone: 1-866-820-8686

napoleon.com