



# Nectre Bakers Oven

## Installation Instructions



**Keep these instructions for future reference**



Glen Dimplex Australia proudly supports the activities of Landcare Australia through its membership of the AHHA

## CONTENTS

1. INSTALLATION .....	1
1.1. IMPORTANT INFORMATION .....	1
1.2. INSTALLING THE HEATER .....	2
1.2.1. Positioning the Heater .....	2
1.2.2. Standard Installation .....	2
1.2.3. Corner Installation .....	2
1.2.4. Floor Protector .....	2
1.3. REDUCING CLEARANCES TO COMBUSTIBLES .....	3
1.4. INSTALLING THE BYPASS DAMPER HANDLE .....	3
1.5. INSTALLING THE FLUE.....	4
1.6. INSTALLING FIREBOX SIDE SHIELDS .....	4
1.7. WHERE A WATER JACKET IS FITTED.....	4
1.8. TECHNICAL DATA.....	4

## 1. INSTALLATION

**THE INSTALLATION INSTRUCTIONS IN THIS MANUAL APPLY TO THE NECTRE BAKERS OVEN.**

### 1.1. IMPORTANT INFORMATION

The unit must be installed according to all manufacturers' instructions included in this manual. The manufacturer is not liable for installations that do not meet the requirements outlined in this manual.

Most building regulatory authorities in Australia require any wood heater installation to comply with Installation Standard AS/NZS 2918. Different states and councils may have varying regulations. Check local building regulations before installing the appliance.

All Nectre wood heaters have been tested to ensure they will meet the appropriate safety standard requirements if the instructions in this manual are followed. As the safety and emissions performance can be affected by altering the appliance, no modifications are allowed without written permission from the manufacturer.

**WE RECOMMEND THAT THE INSTALLATION OF YOUR NECTRE WOOD HEATER BE CARRIED OUT BY A QUALIFIED INSTALLER.**

**WARNING: THE APPLIANCE AND FLUE SYSTEM SHALL BE INSTALLED IN ACCORDANCE WITH AS/NZS 2918 AND THE APPROPRIATE REQUIREMENTS OF THE RELEVANT BUILDING CODE OR CODES.**

CAUTION: MIXING OF APPLIANCE OR FLUE-SYSTEM COMPONENTS FROM DIFFERENT SOURCES OR MODIFYING THE DIMENSIONAL SPECIFICATION OF COMPONENTS MAY RESULT IN HAZARDOUS CONDITIONS. WHERE SUCH ACTION IS CONSIDERED, THE MANUFACTURER SHOULD BE CONSULTED IN THE FIRST INSTANCE.

CAUTION: CRACKED AND BROKEN COMPONENTS, FOR EXAMPLE GLASS PANELS OR CERAMIC TILES, MAY RENDER THE INSTALLATION UNSAFE.

## 1.2. INSTALLING THE HEATER

### 1.2.1. Positioning the Heater

Review the necessary clearances specified in this section before considering where to position the heater.

Also check the practicability of installing the flue system in relation to any obstructing roof beams before positioning the heater.

The clearance distances can only be reduced if the surrounding walls are made of non-combustible material such as stone, brick or concrete. If non-combustible material, distance can be reduced to 100 mm. Alternatively, shielding of the wall(s) can reduce clearances (refer to next section for more detail).

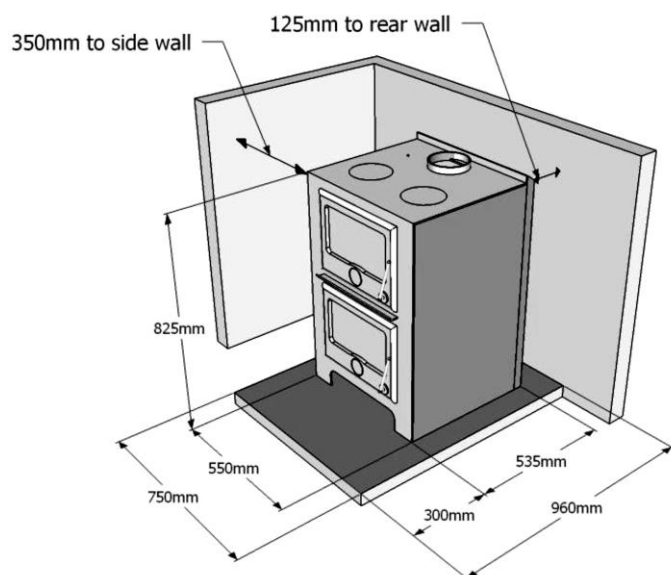
Clearances to combustible surfaces vary depending on the type of flue shielding used.

### 1.2.2. Standard Installation

Dimensions given in the image below represent the minimum clearance (in millimetres) to combustible materials.

Side clearance = 350mm

Rear clearance = 125mm



### 1.2.3. Corner Installation

If the appliance is placed in the corner of a room, the minimum clearance from the corner edge of the appliance to the nearest combustible surface is 350mm.

### 1.2.4. Floor Protector

Unless the heater will be standing on a heat resistant floor such as concrete slab with slate or tiles, it will be necessary to provide a floor protector.

The minimum required dimensions for the floor protector are shown in the previous image. It must extend no less than 300mm in front of the door opening, no less than 200mm either side of the door opening and extend under the heater. Minimum dimensions for the floor protector are 750mm wide by 960mm deep. It may be desirable, for example aesthetic reasons, for the floor protector to be larger than these minimum dimensions.

The floor protector shall be constructed of non-combustible material no less than 12mm thick and with a thermal conductivity not greater than 0.33W/m °K, eg. compressed cement sheet.

The floor protector may be laid directly on the combustible floor.

For more details and variations on floor protectors refer to AS/NZS 2918 Clause 2.2, 3.3.1, & 3.3.2.

### 1.3. REDUCING CLEARANCES TO COMBUSTIBLES

If it is necessary to install a heater closer to a combustible surface than the stated requirements in this installation manual, it must be done in accordance with Australian Standard AS/NZS 2918:2018 Section 3, Tables 3.1 & 3.2.

**Shield Construction:** The shield shall be constructed from a heat resistant material. The shield must be fixed to the surface that requires protection and NOT the heater.

The Standard allows three options to reduce stated clearances.

Single layer of continuous material with Minimum Air Gap of 12mm—Clearance Factor = 0.40

Single layer of continuous material with Minimum Air Gap of 25mm—Clearance Factor = 0.30

Two spaced layers of continuous material with Minimum Air Gaps of 12mm + 12mm—Clearance Factor = 0.20

The shielding must be open at the top and bottom (vented) to allow a continuous air flow. It is this air flow that keeps the surface requiring protection cool. Fixings should not impede this air flow.

The shielding needs to go far enough along and up the wall so that the original side and rear required clearances are not compromised. As the flue is now closer to the wall the shielding should also protect the wall from the flue pipe.

Example:

The side wall clearance for a heater is 350mm.

A 12mm gapped shield on the wall with a factor of 0.40.

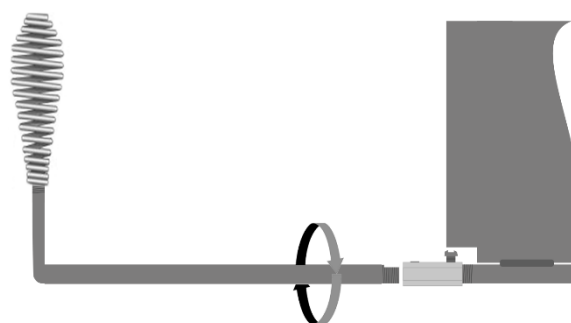
Calculate:  $350\text{mm} \times 0.40 = 140\text{mm}$ . This is the new side wall minimum clearance.

The shielding needs to be large enough so that none of the original clearances 350mm are compromised.

### 1.4. INSTALLING THE BYPASS DAMPER HANDLE

Before installing the flue, the bypass damper handle must be fitted. The handle is supplied inside the firebox.

- 1) Insert the threaded end of the handle into the 10mm hole on right side of heater.
- 2) Looking down through the flue spigot, locate the threaded end of the handle with the connector attached to the by-pass damper.
- 3) Screw the handle all the way into the nut until tight.



- 4) Lock into place with the M4 screw.



The position of the handle should be at approximately 1 o'clock when the damper is open, and 11 o'clock when the damper is shut.

### 1.5. INSTALLING THE FLUE

Before installing flue, the bypass damper handle must be fitted (see section 'Installing the Bypass Damper Handle').

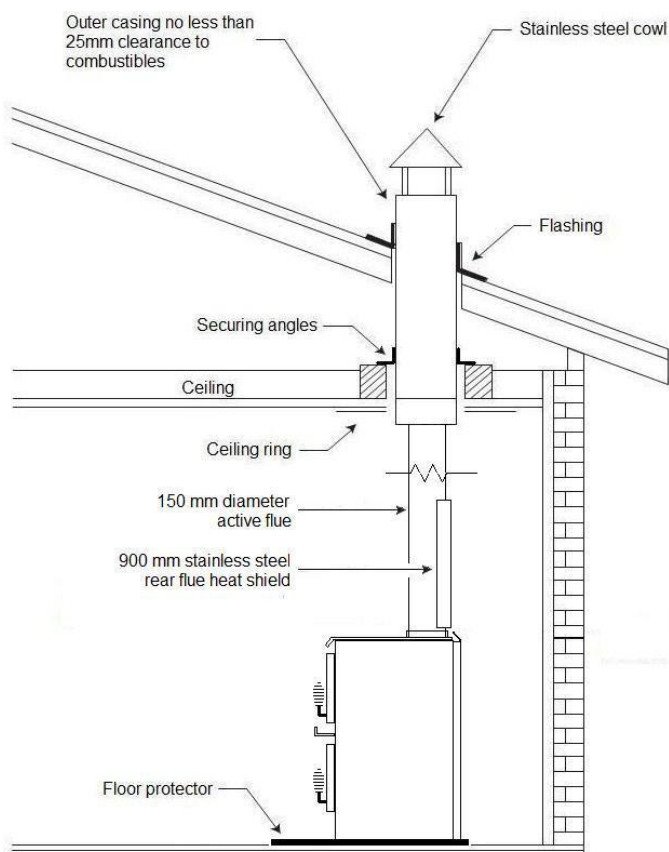
The flue system used when installing the heater MUST comply with the current installation standard AS/NZS 2918.

Full instructions on the installation of the flue will be supplied with the flue kit. These MUST be adhered to, including the minimum exit height from the top of the floor protector being not less than 4.6m, and the minimum exit height above the roof line of roof ridge as detailed in the instructions.

The flue must be fitted with a 900mm long, minimum 180° arc, stainless steel rear flue shield.

If the draft is insufficient or periodic down drafting occurs and the heater smokes or only burns slowly, extending the flue or fitting a specialist cowl will usually resolve the issue.

If the stove is fitted to an existing chimney, ensure that it is sealed at the base of the chimney with a register plate and fit the flue pipe up through the plate and continue until it terminates outside the chimney in accordance with AS2918 4.9.1.



### 1.6. INSTALLING FIREBOX SIDE SHIELDS

The Nectre Bakers Oven is supplied with two 8 mm thick sacrificial shields fitted to the sides of the firebox to protect the walls of the firebox.

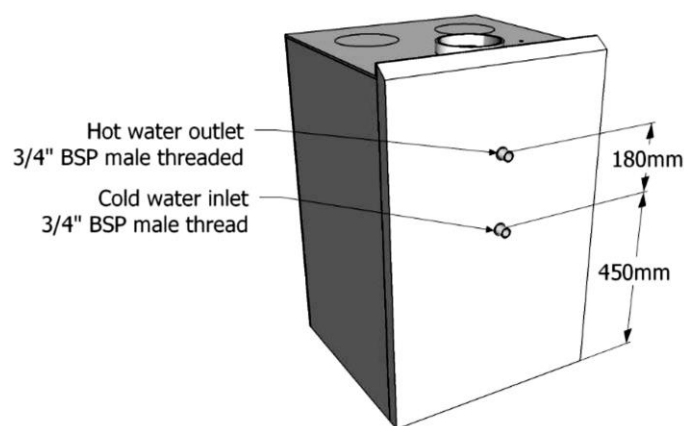
Lugs on the shields allow them to hang over the angled cutout on the sides of the firebox along the top.

The firebox side shields may already be in place upon arrival of the new appliance.

### 1.7. WHERE A WATER JACKET IS FITTED

**WARNING: DO NOT CONNECT TO AN UNVENTED HOT WATER SYSTEM.**

**INSTALL IN ACCORDANCE WITH AS/NZS 3500.4 OR NZS 4603 AND THE APPROPRIATE REQUIREMENTS OF THE RELEVANT BUILDING CODE OR CODES.**



### 1.8. TECHNICAL DATA

Specification	Bakers Oven
Minimum flue diameter	150mm/6 inches
Appliance size (WxDxH)	550x535x825mm
Oven size (WxDxH)	360x340x280mm (34 Litres)
Firebox size (WxDxH)	360x340x395mm
Flue spigot centre to rear of appliance	140mm
Total mass of appliance	120kg







Glen Dimplex Australia Pty Ltd

1340 Ferntree Gully Road,  
Scoresby Victoria 3179  
Australia

T: 1300 556 816 | F: 1800 058 900

Email: [sales@glendimplex.com.au](mailto:sales@glendimplex.com.au)

---