

MAJESTIC

QUARTZ 36 PLATINUM

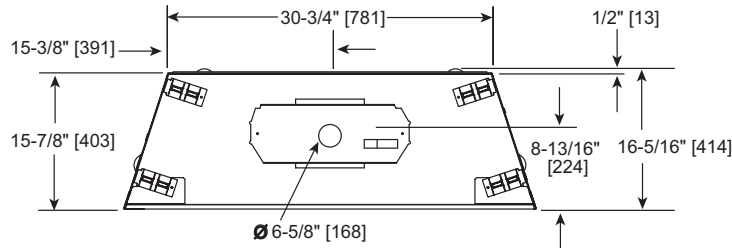
Direct Vent Gas Fireplace

Scan QR code for installation manual for final dimensions and requirements.

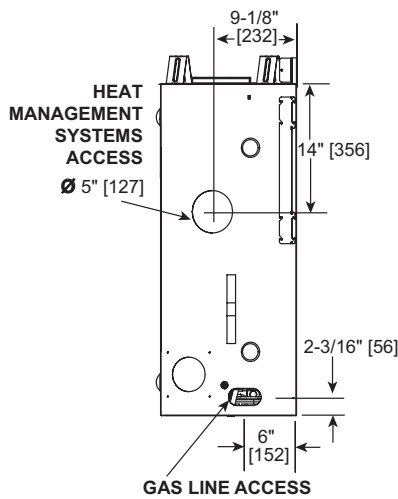


ACTUAL DIMENSIONS	FRONT WIDTH	HEIGHT	DEPTH	GLASS SIZE	BTU/HOUR INPUT
	41" [1041]	37-7/8" [962]	16-5/16" [414]	32-1/16" x 21-1/12" [814 X 546]	15,000 - 30,500 BTUs (NG) 15,000 - 29,500 BTUs (LP)

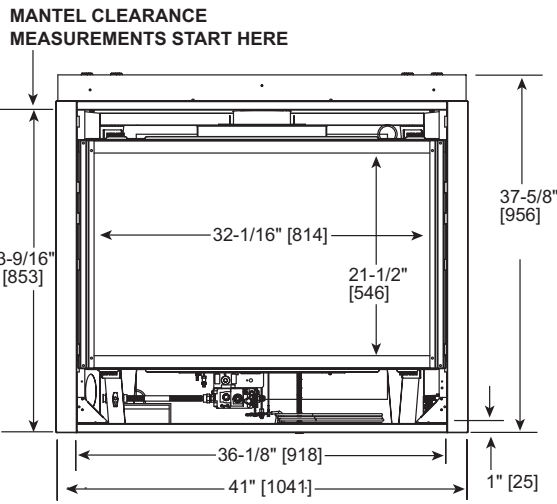
TOP VIEW



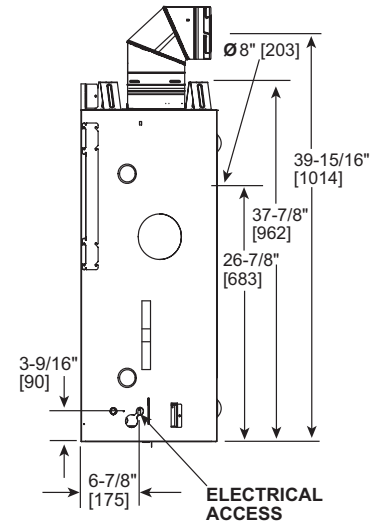
LEFT SIDE



FRONT VIEW

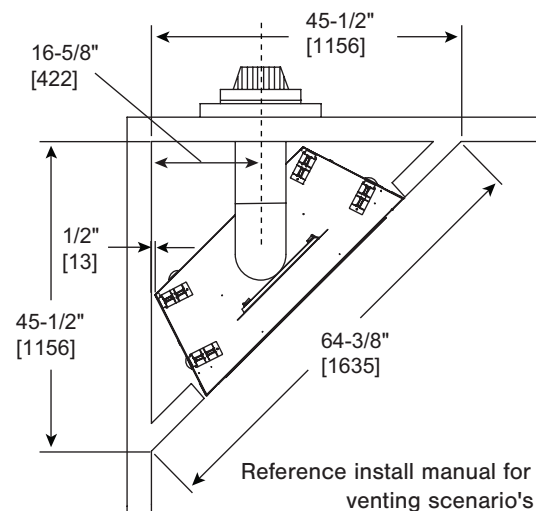
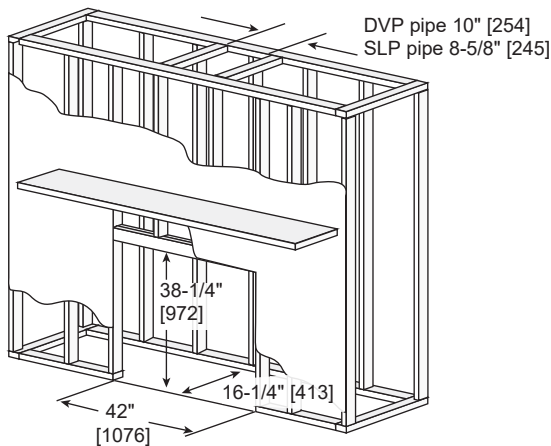


RIGHT SIDE



FRAMING DIMENSIONS	FRONT WIDTH	HEIGHT	DEPTH	WEIGHT
	42" [1067]	38-1/4" [972]	16-1/4" [413]	145 LBS [66 KGS]

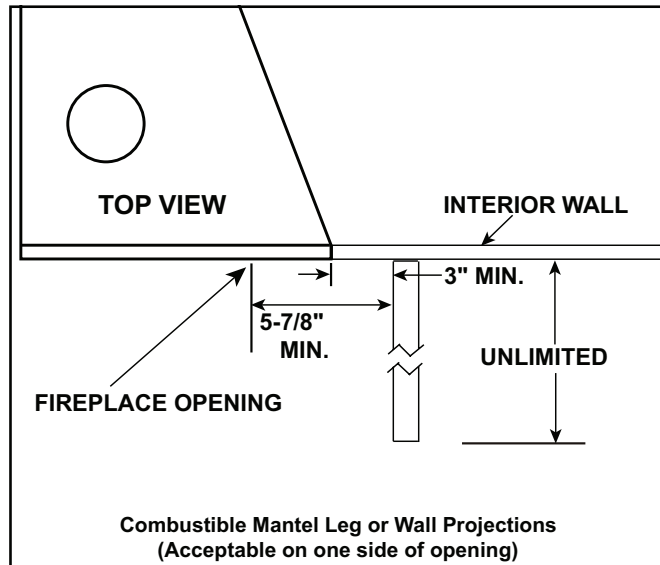
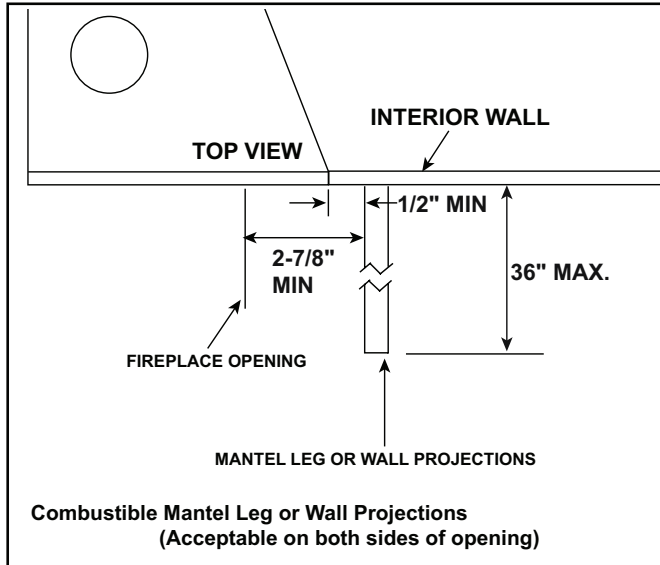
BASIC CORNER INSTALLATION



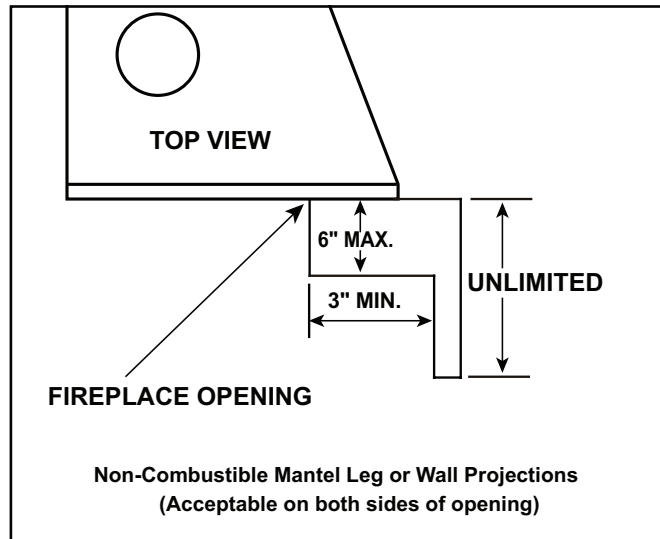
Adjust framing dimensions for interior chase sheathing (such as sheetrock)

Reference install manual for additional venting scenarios

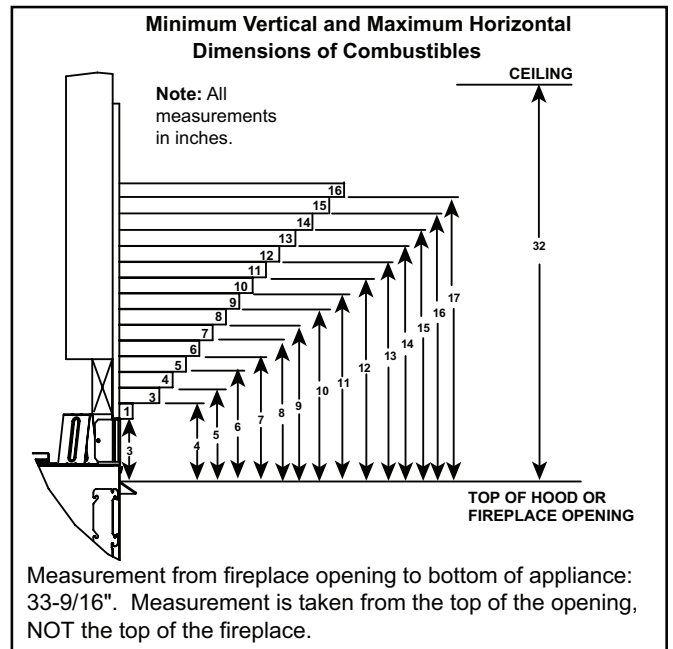
COMBUSTIBLE MANTEL LEGS OR WALL PROJECTIONS



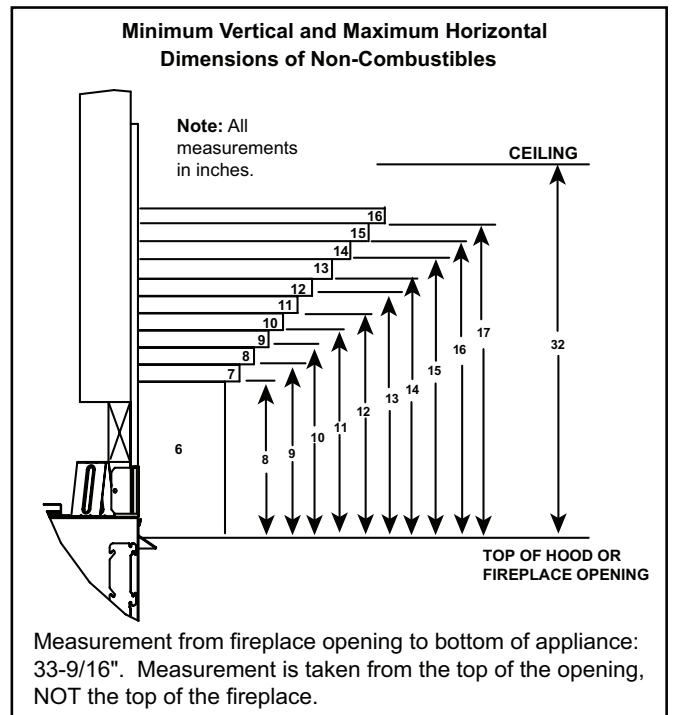
NON-COMBUSTIBLE MANTEL LEGS OR WALL PROJECTIONS



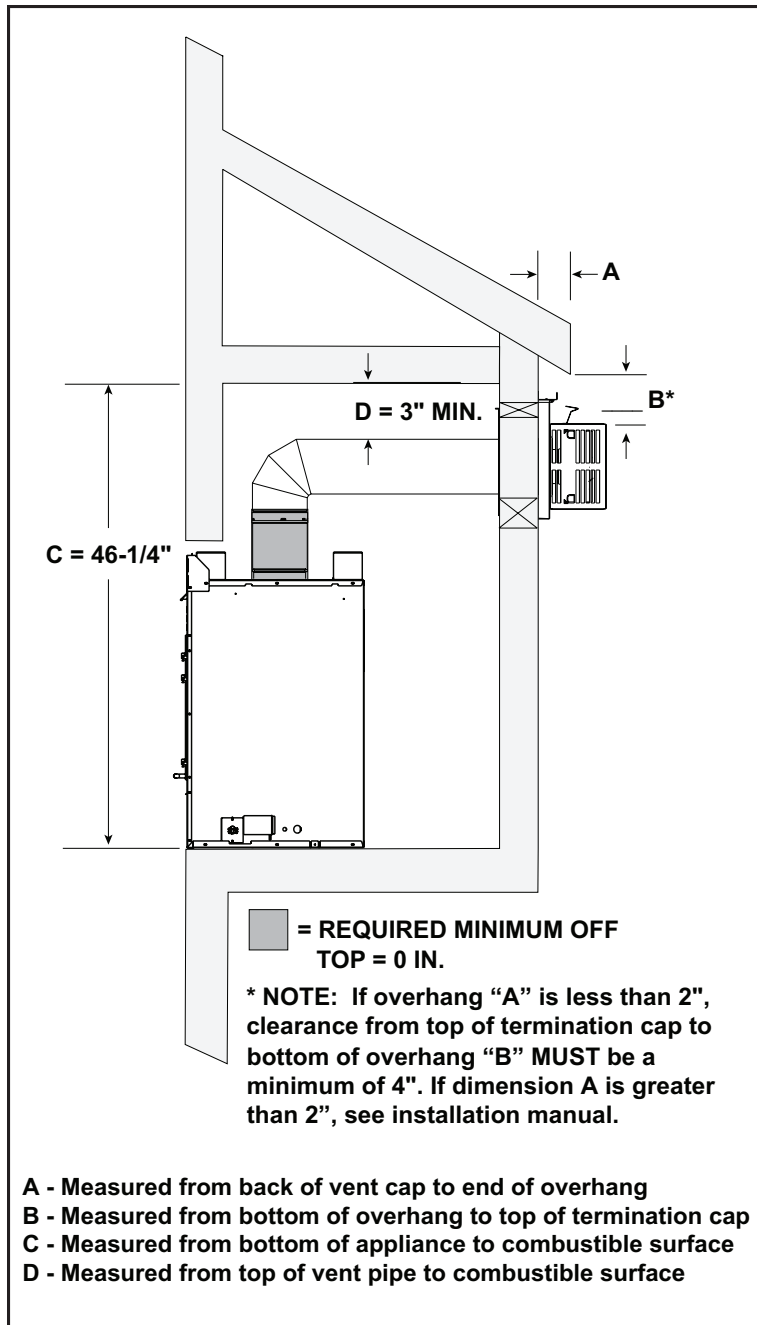
COMBUSTIBLE MANTEL PROJECTIONS



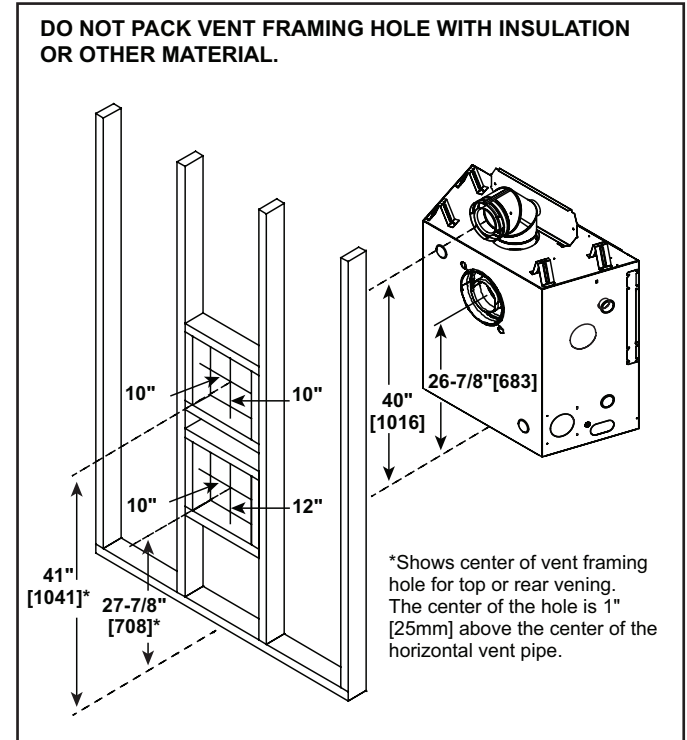
NON-COMBUSTIBLE MANTEL PROJECTIONS



EXTERIOR CHASE MINIMUM HEIGHT REQUIREMENTS



WALL PENETRATION



PRODUCT LISTING CODES	
US	ANSI Z21.88-2014
CAN	CSA 2.33-2014
US LISTED	UL307B

Product information provided is not complete and is subject to change without notice. Product installation must adhere strictly to instructions accompanying product to avoid risk of fire and potential injury.

If using heat management please refer to the fireplace installation manual for framing guidelines and reduced mantel clearances. Additional information on venting, TV clearances, finishing requirements, fronts, etc can be found in the installation and owner's manual



Majestic — A Brand of Hearth & Home Technologies
 7571 215th Street West | Lakeville, MN 55044
 877-486-9123 | majesticproducts.com

