



# HALO

# ELITE 2B

2-BURNER 4-ZONE OUTDOOR GRIDDLE



# ESSENTIALS GUIDE

HZ-1003-XNA

# TABLE OF CONTENTS

MEET THE ELITE2B OUTDOOR GRIDDLE	04
FEATURES OF YOUR ELITE2B	06
TURN UP THE HEAT WITH 4 COOKING ZONES	08
<b>OWNER'S MANUAL</b>	<b>10</b>
CSA - ENGLISH	11
PRODUCT RECORD	14
CONNECTING 20 LBS. TANK	15
LIGHTING INSTRUCTIONS	18
GREASE CUP + LEVELING	20
SEASONING YOUR GRIDDLE	23
CARING FOR YOUR ELITE2B	24
CONVERTING YOUR GRIDDLE	27
TROUBLESHOOTING	29
ELITE2B PARTS LIST	30
ASSEMBLED DIMENSIONS	32
FIVE (5) YEAR LIMITED WARRANTY	33

<b>MANUAL DEL USUARIO</b>	<b>36</b>
CSA - ESPAÑOL	<b>37</b>
REGISTRO DE PRODUCTOS	<b>40</b>
CONECTAR TANQUE DE 20 LBS.	<b>41</b>
INSTRUCCIONES DE ENCENDIDO	<b>43</b>
DEPÓSITO DE GRASA + NIVELACIÓN	<b>46</b>
TRATAMIENTO DE LA PLANCHA	<b>49</b>
CUIDANDO TU ELITE2B	<b>50</b>
CONVERTIR SU PLANCHA	<b>53</b>
SOLUCIÓN DE PROBLEMAS	<b>55</b>
LISTA DE PIEZAS ELITE2B	<b>56</b>
DIMENSIONES ENSAMBLADO	<b>58</b>
GARANTÍA LIMITADA DE CINCO (5) AÑOS	<b>59</b>
<b>MANUEL DU PROPRIÉTAIRE</b>	<b>62</b>
CSA - FRANCAIS	<b>63</b>
FICHE PRODUIT	<b>66</b>
CONNEXION 20 LBS. RÉSERVOIR	<b>67</b>
INSTRUCTIONS D'ALLUMAGE	<b>70</b>
BAC À GRAISSE + NIVELLEMENT	<b>72</b>
APPRÊT DE VOTRE GRILL	<b>75</b>
ENTRETIEN DE VOTRE ELITE2B	<b>76</b>
TRANSFORMATION DE VOTRE GRIL	<b>79</b>
DÉPANNAGE	<b>81</b>
LISTE DES PIÈCES ELITE2B	<b>82</b>
DIMENSIONS DE MONTAGE	<b>84</b>
GARANTIE LIMITÉE DE CINQ (5) ANS	<b>85</b>

# MEET THE ELITE2B

2-BURNER 4-ZONE OUTDOOR GRIDDLE

Taking your outdoor cooking skills above and beyond never felt so simple.

With the **Elite2B**, enjoy true wall to wall cooking with the industry's first 4 zone 2 burner outdoor griddle. Simplify your cooking experience with a unique wind proof design, rear grease management and utensil clean off. When it comes to innovation and an **Elite** outdoor cooking experience, we've got you covered.

We strive to Rise Above in both who we are and what we create. Our mission is to be a catalyst for reconnecting people and enhancing the experience of cooking outdoors—in the greatness of nature, on-the-go, and in your backyard.

The entire team here at Halo thanks you for joining our community. We look forward to serving you by listening and continuing to bring you authenticity, versatility and innovation.

- Halo Team



FEATURES OF YOUR

# ELITE2B

2-BURNER 4-ZONE OUTDOOR GRIDDLE



## **SEASON YOUR GRIDDLE IN UNDER 30 MINUTES**

Season the Elite2B's 480 in<sup>2</sup> total cooking surface within 20-25 minutes.



## **QUICK WARM UP TIME**

Ready to cook in 12 minutes depending on the ambient temperature.



## **WALL TO WALL COOKING SURFACE**

Get the most use out of your entire cooking surface with custom zones!



## **WIND-PROOF DESIGN**

Innovative wind-proof design ensures your flame stays lit!



## **4 ZONE BURNER SYSTEM**

Control 4 zones with 2 control knobs.



## REAR GREASE MANAGEMENT

Extra large capacity grease container included.



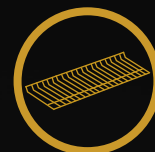
## BUILT IN UTENSIL CLEAN-OFF

Clean utensils as you cook.



## SWING-AWAY WARMING RACK

The included rack provides 134 in<sup>2</sup> of additional space for keeping foods warm.



## GRIDDLE PLATE LIFT OFF

Attach the included handles to remove the griddle top.



## PROPANE FUELED

Designed to connect a 20 lb propane tank. **NEW FEATURE** - adjustable regulator at either 9.5" or 11" WC for more temperature control.



## WIDE RANGE TEMPERATURE

300°F to 700°F



# TURN UP THE HEAT

## WITH 4 COOKING ZONES



8

ZONES 1 + 2



The Elite2B Outdoor Griddle takes control to the next level by splitting each of its 2 burners into 2 zones. Ignite any of the 2 front zones without igniting the back zones for custom cooler zones ready to keep your food from burning.



**ZONES 3 + 4**



# OWNER'S MANUAL

## MODEL NO: HZ-1003-XNA



### ⚠️ WARNING

"Follow all warnings and instructions when using the appliance."

### ⚠️ WARNING

The manufacturer has made every effort to eliminate any sharp edges. However, you should handle all components with care to avoid accidental injury.

### ⚠️ WARNING

- The use of alcohol, prescription, or non-prescription drugs may impair the consumer's ability to properly assemble or safely operate the appliance.
- When cooking with oil or grease, have a type BC or ABC fire extinguisher readily available.
- In the event of an oil or grease fire do not attempt to extinguish with water. Immediately call the fire department. A Type BC or ABC fire extinguisher may, in some circumstances, contain the fire.
- This appliance is not intended for and should never be used as a heater.
- This appliance will be hot during and after use. Use insulated oven mitts or gloves for protection from hot surfaces or splatter from cooking liquids.
- **Do not store a spare LP gas cylinder under or near this appliance.**
- **Never fill the cylinder beyond 80 percent full;** and if the instructions in **bold above** are not followed exactly, a fire causing death or serious injury may occur.
- The LP gas tank used must have a collar to protect the tank valve.

### ⚠️ WARNING

This instruction manual contains important information necessary for the proper assembly and safe use of the appliance.

### ⚠️ WARNING

- "FOR OUTDOOR USE ONLY."
- "READ ALL INSTRUCTIONS BEFORE INSTALLING AND USING THE APPLIANCE."
- "SAVE THESE INSTRUCTIONS."

### ⚠️ WARNING

Do not try to light this appliance without reading the Ignition Instructions section of this manual.

### ⚠️ WARNING

Minimum distance from sides and back of unit to walls or railings 36" (914.4mm)." Do not use under overhead construction.

Halo Products Group LLC  
850 West Park Rd Elizabethtown KY, 42701  
Toll free: 1-833-572-1688

SCAN FOR  
Product Registration  
Online Owner's Guide  
Assembly Videos



# IMPORTANT SAFETY INFORMATION

## **DANGER**

If you smell gas:

- Shut off gas to the appliance.
- Extinguish any open flame.
- Open lid.
- If odor continues, keep away from the appliance and immediately call your fire department.

Failure to follow the Dangers, Warnings and Cautions contained in this Owner's Manual may result in serious bodily injury or death.

## **WARNING**

**FOR OUTDOOR USE ONLY** and shall not be used in a building, garage, or any other enclosed area.

## **WARNING**

Keep any electrical supply cord and the fuel supply hose away from any heated surfaces.

## **WARNING**

Do not leave the appliance unattended. Keep children and pets away from the appliance at all times.

## **WARNING**

### **CALIFORNIA PROPOSITION 65**

This product can expose you to chemicals, including carbon monoxide, which are known to the State of California to cause cancer and birth defects or other reproductive harm. For more information go to [www.P65Warnings.ca.gov](http://www.P65Warnings.ca.gov)

## **DANGER**

- Never operate this appliance unattended.
- Never operate this appliance within 10' (3.0 m) of any structure, combustible material or other gas cylinder.
- Never operate this appliance within 25' (7.5 m) of any flammable liquid.
- If a fire should occur, keep away from the appliance and immediately call your fire department. Do not attempt to extinguish an oil or a grease fire with water.

Failure to follow these instructions could result in fire, explosion or burn hazard which could cause property damage, personal injury or death.

## **WARNING**

When using a match to light the appliance, make sure to use the included matchlight stick or a long 11" match.

## **WARNING**

Spiders and insects can nest inside the burner of the appliance and disrupt gas flow. Inspect the burner at least once a year.

## **WARNING**

- "Read and follow all warnings and instructions before assembling and using the appliance."
- "Follow all warnings and instructions when using the appliance."
- "Keep this manual for future reference."
- "Keep the fuel supply hose away from any heated surface(s)."

## **WARNING**

Check all gas supply fittings for leaks before each use. Do not use the appliance until all connections have been checked and do not leak.

## **WARNING**

In the event of rain, snow, hail, sleet, or other forms of precipitation while cooking with oil or grease, cover the cooking vessel immediately and turn off the appliance burners and gas supply. Do not attempt to move the appliance or cooking vessel.

## **WARNING**

Place dust cap on cylinder valve outlet whenever the cylinder is not in use. Only install the type of dust cap on the cylinder valve outlet that is provided with the cylinder valve. Other types of caps or plugs may result in leakage of propane.

## **WARNING**

This appliance is not intended for commercial use.

## INSTALLATION SAFETY PROTECTION

- Use your HALO Elite2B Outdoor Griddle as purchased.
- HALO Elite2B Outdoor Griddle installation must conform with local codes, or in the absence of local codes, with either the National Fuel Gas Code, ANSI Z223.1/ NFPA 54, Natural Gas and Propane Installation Code, CSA B149.1, or Propane Storage and Handling Code, B149.2, or the Standard for Recreational Vehicles, ANSI A 119.2/NFPA 1192, and CSA Z240 RV Series, Recreational Vehicle Code, as applicable.
- HALO Elite2B Outdoor Griddle is not for use in or on recreational vehicles and/or boats.
- HALO Elite2B Outdoor Griddle is safety certified for the United States use only. Do not modify for use in any other countries. Alteration will result in a safety hazard.
- Ensure that the pressure regulator supplied with the appliance is used. The replacement pressure regulator P/N: #HZ-1001-22, for a 20 lb. cylinder, must be used with the appliance.
- Place dust cap on cylinder valve outlet whenever the cylinder is not in use. Only install the type of dust cap on the cylinder valve outlet that is provided with the cylinder valve. Other types of caps or plugs may result in leakage of propane.

## SAFETY MAINTENANCE

- Keep the appliance area clear and free from combustible materials, gasoline, and other flammable vapors and liquids.
- Do not obstruct the flow of combustion and ventilation.
- Keep the ventilation opening of the cylinder enclosure free and clear from debris.
- Visually check burner flames.
- Clean the appliance, including special surfaces, with recommended cleaning agents, if necessary.
- Check and clean the burner/venturi tube for insects and insect nests. A clogged tube can lead to a fire beneath the appliance.

## USE AND CARE

Turn **OFF** your HALO Elite2B Outdoor Griddle when not in use.

- Never move HALO Elite2B Outdoor Griddle while it is in operation and still hot.
- Use long-handled barbecue utensils and oven mitts to avoid burns and grease splatters.
- Keep unit a minimum of 36" away from walls, buildings, vehicles, or other structures while in use.



- Clean your HALO Elite2B Outdoor Griddle after each cook.
- Turn off the gas supply if you notice grease dripping onto the valve or regulator. Determine the cause, correct it, then clean and check valve, hose, and regulator before continuing to operate your HALO Elite2B Outdoor Griddle.
- Keep ventilation openings in cylinder enclosure free and clear of debris.
- The regulator may make a humming or whistling noise during operation. This will not affect safety or use of your HALO Elite2B Outdoor Griddle.
- Turn off your HALO Elite2B Outdoor Griddle immediately if the regulator frosts. This indicates a problem with the LP cylinder, and it should not be used on any product. Return to supplier.
- Please call Consumer Service at 1-833-572-1688 if you have a problem with your HALO Elite2B Outdoor Griddle and refer to the Troubleshooting Section on page 29.

## CHECK CONTROL VALVE CONDITION

### IMPORTANT:

- To check the valve, first push in the control knob, and then release. The control knob should spring back. If the control knob does not spring back, replace the valve assembly before using your HALO Elite2B Outdoor Griddle.
- Push and turn the control knob counterclockwise to LOW position, then turn back to OFF position. The valve should rotate smoothly.

## BURNER FLAME CHECK

Turn the control knob to  to ignite the burner. Press the electronic ignition button for 2-3 seconds. You will hear it click, then turn knob to  to light both burner zones. Turn knob from HIGH to LOW. You should see a smaller flame in the LOW position than seen on HIGH. Always check the flame prior to each use. If only the LOW flame is seen, refer to "Sudden drop or low flame" in the Troubleshooting section on page 29.

## GENERAL CLEANING

- **Plastic components:** Do not use Cortisol, abrasive cleaners, degreasers, or a concentrated oven cleaner on plastic parts that could cause damage. Wash with warm soapy water and wipe dry.
- **Painted surfaces:** Wash with mild detergent or nonabrasive cleaner and warm soapy water. Wipe dry with a soft nonabrasive cloth. Do not use an abrasive pad on areas with graphics. The grease deposits or baked on grease may require the use of a non-abrasive plastic cleaning pad. Do not apply a corrosive oven cleaner to painted surfaces.

- **Stainless Steel Cleaning Tips:**

**Step 1:** Dip a soft cloth in warm water mixed with a mild dish detergent. Wipe the surface, rinse the cloth and wipe again, then dry with a towel to prevent water spots.

**Step 2:** If you still see fingerprints, spray a glass cleaner onto a soft cloth and wipe fingerprints away.

**Step 3:** To remove baked-on food and grease, make a paste of baking soda and warm water. Gently rub onto the surface using a soft cloth or sponge. Wipe with a clean wet cloth and towel dry. For scratches and stains, use a stainless-steel cleaner and apply it to the area, following directions. Rinse with a clean damp cloth, then dry.

## WHAT YOU SHOULD KNOW ABOUT FOOD SAFETY

### Food storage safety tips:

- Understand what “high-risk” foods are.
- Always keep high-risk food at the proper temperature.
- Store raw foods, such as raw meat, seafood, and vegetables below cooked foods in the refrigerator or freezer.
- Store food in properly covered containers made of glass or plastic.
- Avoid refreezing already thawed foods.

## GRIDDLE FOOD AND SAFETY

1. **WASH YOUR HANDS**—Wash your hands with hot water and soap for at least 15–20 seconds before and after handling food.
2. **SEPARATE RAW AND READY TO EAT/COOKED FOODS**
  - Ensure that raw food is always kept refrigerated and away from ready to eat/cooked foods. Food that is marinating should also be kept covered in the fridge.
  - Ready to eat foods (such as salads, vegetables, sauces) and cooked foods, should never come into contact with raw food as this causes harmful bacteria to contaminate the cooked food.
  - Always ensure that you use separate chopping boards/utensils for raw and cooked foods, and always wash your hands after handling raw food.
3. **COOK FOOD THOROUGHLY**
  - Food poisoning is caused by harmful bacteria, such as E-Coli and Salmonella, which are killed by cooking. In order to ensure food safety, it is essential to cook food thoroughly.
  - Slice into the thickest part of the meat with a fork and a sharp knife to check whether it's cooked. If the color of the meat in the center is still pink, it needs to cook longer.
  - Burgers should always be cooked thoroughly and never be served pink.
  - Food thermometers are available in most supermarkets, and they can easily tell whether meat is cooked by probing it for 165 degrees Fahrenheit or 74 degrees Celsius. They are a handy tool to have in your kitchen.
4. **SERVE FOOD IMMEDIATELY AFTER COOKING** – Letting cooked food sit at room temperature allows for harmful bacteria to grow. Once food is cooked, serve immediately; otherwise, you should cool cooked food quickly, refrigerate, and consume within 2 days.
5. **ALWAYS KEEP FOOD COVERED** – Always keep food covered to ensure that flies are not contaminating your food.

## HOW TO CHECK IF MEAT IS DONE ON THE GRIDDLE

- Use a meat thermometer to ensure food has reached a safe internal temperature.
  - Whole poultry should reach 165° F/ 73.8 °C for dark meat, 160°F/ 71°C for white meat.
  - Hamburgers made of any ground meat or poultry should reach 160°F/71°C and be brown in the center with no pink juices. Beef, veal and lamb steaks, roasts and chops can be cooked to 145°F/63°C. All cuts of pork should reach 160°F/71°C.
- NEVER** partially grill meat or poultry and finish cooking later. Cook food completely to destroy harmful bacteria.

# PRODUCT RECORD

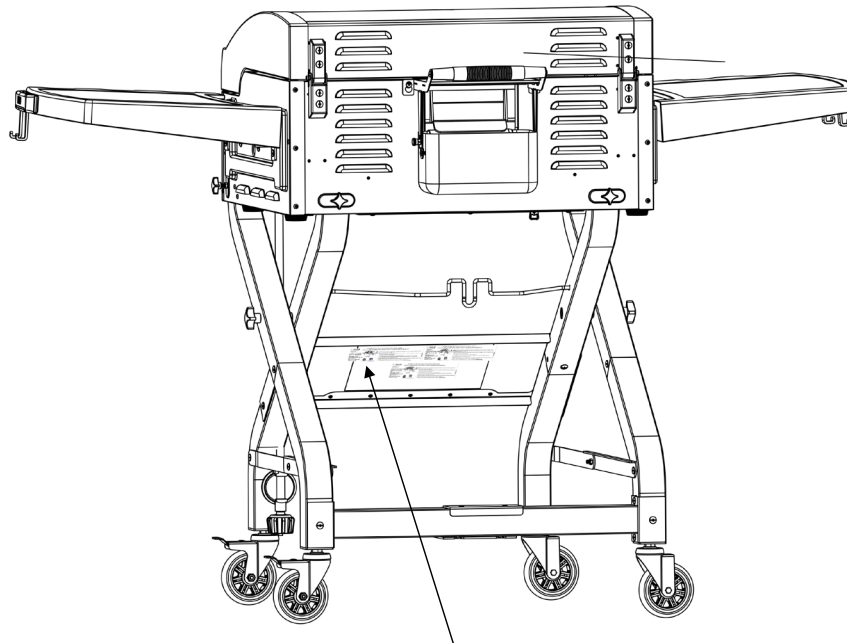
**IMPORTANT:** Fill out the product information record below, or to register your product, visit our website at [www.halo-pg.com](http://www.halo-pg.com).



Model Number: \_\_\_\_\_

Serial Number: \_\_\_\_\_

Purchase Date: \_\_\_\_\_



# CONNECTING 20 LBS. TANK

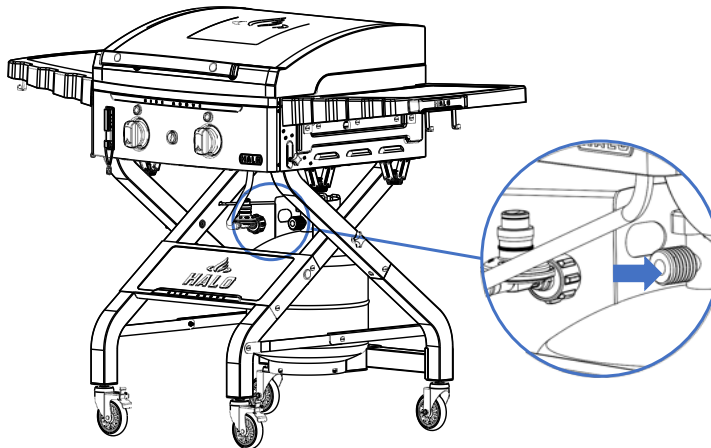
## **⚠ WARNING**

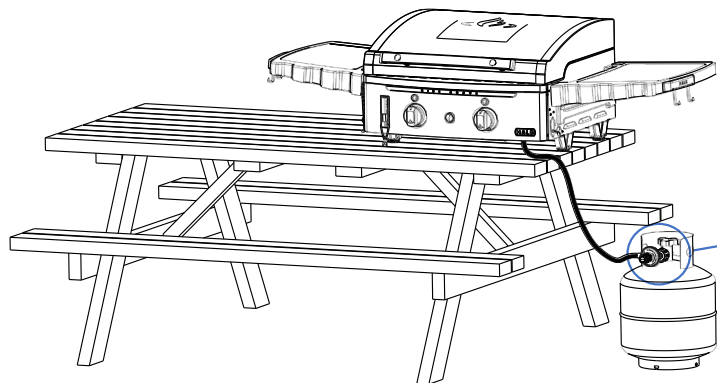
The LP tank used with this Flat Top Griddle must meet the following requirements:

- Use the appliance only with LP (propane) gas and the regulator/valve assembly supplied.
- Installation must conform with local codes, or in their absence with National Fuel Gas Code, NFPA 54/ANSI Z223.1. Handling and storage of LP cylinders must conform to LP Gas Code NFPA/ANSI 58.
- Do not modify this appliance. Modifications will result in a safety hazard.
- Apartment Dwellers: Check with management to learn the requirements and fire codes for using an LP Gas appliance at an apartment. If allowed, use outside on the ground floor with a 10-foot clearance from walls or rails.

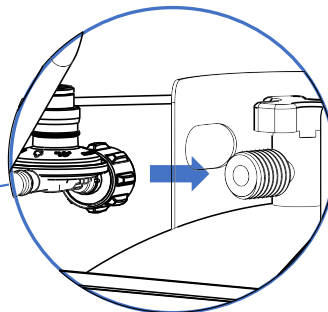
## **CONNECTING HOSE + ADJUSTABLE REGULATOR 20 LBS. TANK**

1. Place LP tank on tank support bracket and secure with tank retention wire or level, and stable surface.
2. Make sure the burner valve is on OFF position.
3. LP tank should be in the OFF position. If not, turn the wheel clockwise until it stops.
4. Remove the protective cap from LP tank valve. Always use cap and strap supplied with OPD valve.
5. **DO NOT USE A POL TRANSPORT PLUG (plastic part with internal threads)! IT WILL DEFEAT THE SAFETY FEATURE OF THE VALVE.**





Regulator attached

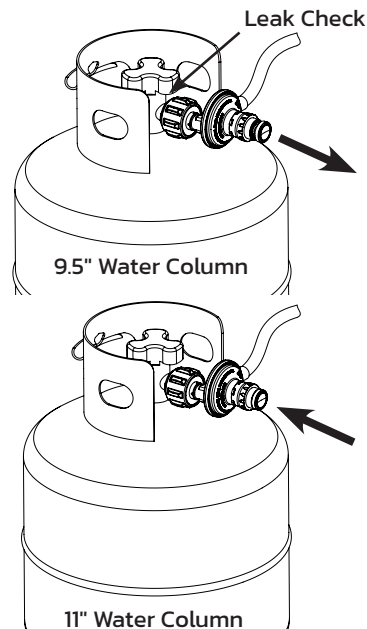


## ADDED FEATURE

Your griddle is equipped with an adjustable low-pressure regulator. The normal operating pressure is 11" water column and the lower operating pressure available is 9.5" water column. When operating your griddle under normal circumstances, you will want to have the regulator set at the 11" water column pressure. If you want to cook with slightly lower temperatures, then set the regulator to the 9.5" water column setting. Depending on what temperature setting you have the control knob set at will determine how much lower your temperature will be when using the lower pressure setting. Please see the instructions on how to change from the 11" water column setting and back again.

## HOW TO SET REGULATOR SETTING

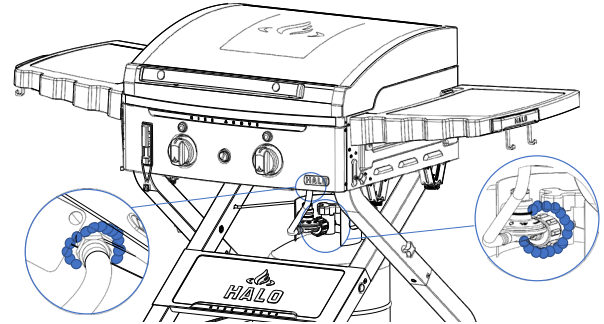
- Pull back the spring-loaded coupling to release regulator cap to achieve 9.5" water column.
- Pull back the spring-loaded coupling then push the regulator cap firmly and release. The regulator cap will snap in and lock in place to reset the regulator to 11" water column.



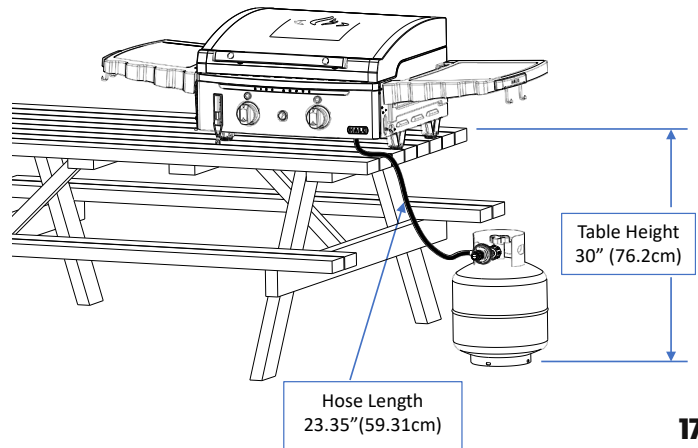


## LEAK TEST PROCEDURE

1. Attach hose assembly to the cylinder.
2. Slowly open the cylinder valve.
3. Perform a leak check on regulator to griddle hose to regulator and hose to cylinder connections with soapy water. Bubbles indicate a leak. Check that the connection is not cross threaded and that it is tight.
4. Perform another leak check. Check the coupling nut for tightness. If there is still a leak, remove the cylinder and contact the manufacturer for service and repair.
5. When appliance is not in use, turn off the control knob and LP tank valve on the supply cylinder.
6. Never use an LP tank if visibly rusted, damaged, or out of date.
7. If you notice grease or other hot material dripping from appliance onto the valve, hose or regulator, turn off gas supply at once. Determine the cause, correct, clean and inspect valve, hose and regulator before continuing. Perform a leak test.
8. The regulator may make a humming or whistling noise during operation. This will not affect the safety or use of appliance.
9. Clean and inspect the hose before each use of the appliance. If there is evidence of abrasion, wear, cuts or leaks, the hose must be replaced prior to the appliance being put into operation. See product tag for hose and regulator information.
10. Do not block holes in bottom or sides of appliance.
11. Never operate appliance with LP tanks out of correct position specified in Assembly Instructions.
12. Always close LP tank valve and remove coupling nut before moving LP tank from specified operating position.
13. NEVER store a spare LP tank under or near appliance or in an enclosure.
14. If you see, smell, or hear escaping gas, immediately get away from the LP tank/appliance and call your fire department.
15. All spare LP tanks must have safety caps installed on the LP tank outlet.



Check for leaks at these connections.



### **WARNING**



Tripping hazard over hose and supply cylinder.



- Make sure to attach the cylinder securely with the tank retention wire.
- Do not operate the appliance on a tabletop higher than 39.8" (101.09 cm).
- Make sure to the cylinder on a level surface and away from tripping hazards.

# LIGHTING INSTRUCTIONS

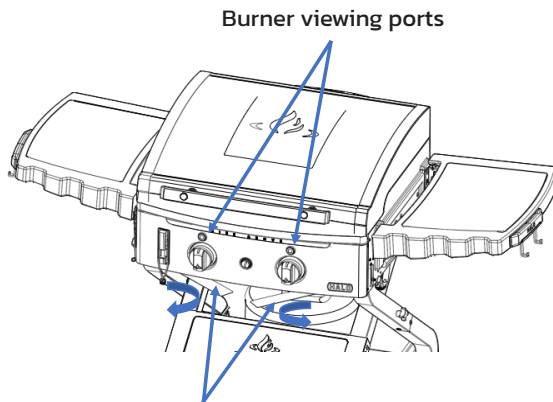
## LIGHTING THE GRIDDLE

**NOTE:** Lighting instructions are located under the bottom of the control panel. Rotate out to follow the instructions.

1. Open lid during lighting. 
2. Push and turn control knob to . Press the electronic igniter and hold for 3-5 seconds then turn to light front section of burner.


**NOTE:** To confirm the burner is lit, look through the burner viewing port above the control knob, then turn the control knob to   to light the back section.


3. If ignition does not occur in 5 seconds, turn the burner control off, wait 5 minutes, and repeat the lighting procedure.





18 Lighting instructions located here


## SYMBOLS


 Represents Unit is in "OFF" position

 Represents Burner being lit

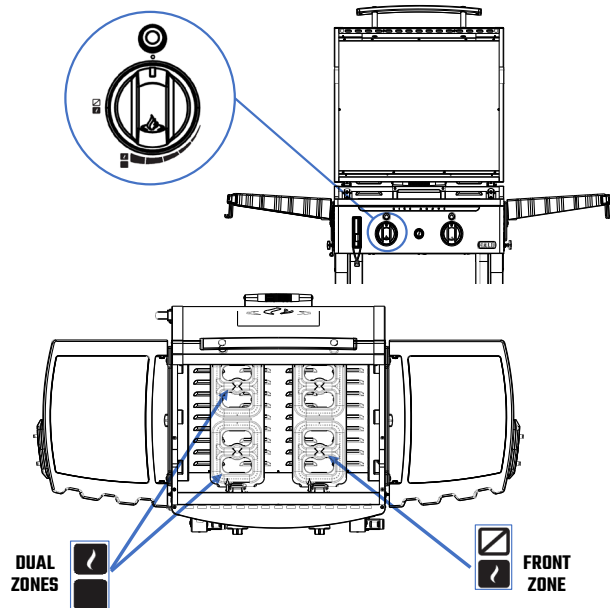
 Represents Burner already lit

 Represents Front Zone on HIGH setting

 Represents Dual Zones on HIGH setting


 Represents Dual Zones on HIGH setting

 Represents Dual Zones on HIGH setting



## MATCH LIGHTING INSTRUCTIONS

**NOTE:** A match lighting stick is conveniently located at the front left side of the fire chamber.

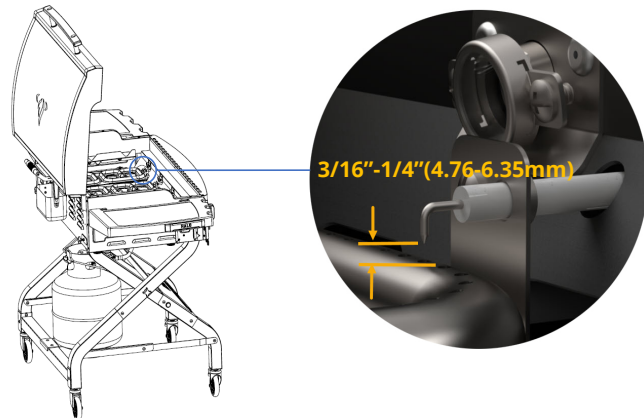
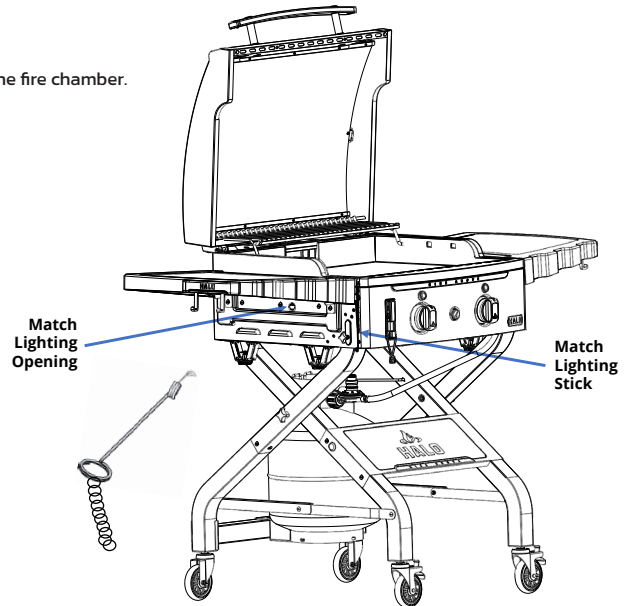
1. Open lid.
2. Make sure the control knob is in the OFF position (Push control knob down and turn clockwise to make sure that it is in the OFF position.)
3. Light burner with match lighting stick or with an 11" long match, then place the match on top of the burner.
4. Push and turn control knob to setting to light the burner. 
5. Make sure the burner lights and stays lit.

### **WARNING**

Do not lean over the open barbecue. Keep your face and body at least one foot away from the matchlight hole when lighting the griddle.

## IGNITION-ELECTRODE GAP DISTANCE

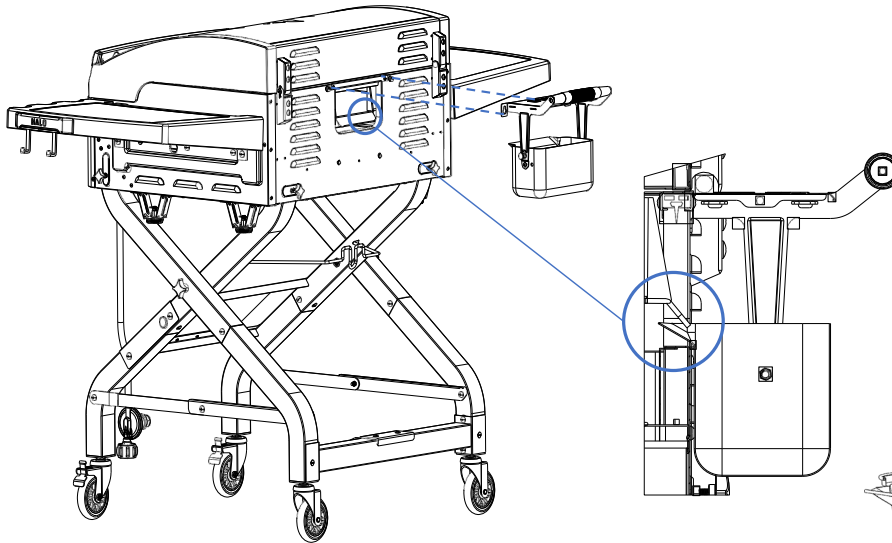
To create a solid spark, the **DISTANCE** between the electrode and burner should be  $3/16''-1/4''$  (4.76-6.35mm). The electrode should not touch the burner or be spaced out too far. Be sure that the spark goes to a port instead of a random spark to burner.



# GREASE CUP + LEVELING

## POSITIONING THE GREASE CUP

To avoid grease leakage, position the lip of the grease cup under the griddle drip ledge when installing the grease cup. Check the grease cup often and clean it out after each use.

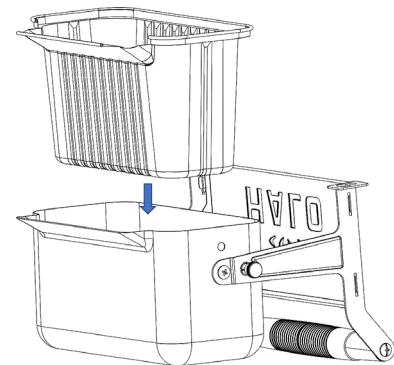
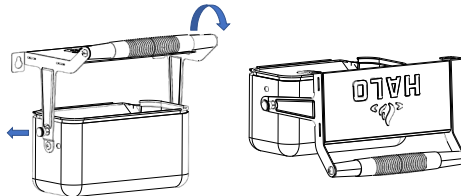


### **WARNING**

Make sure the griddle is cooled before removing the grease cup.

## FOLDING THE GREASE CUP HANDLE

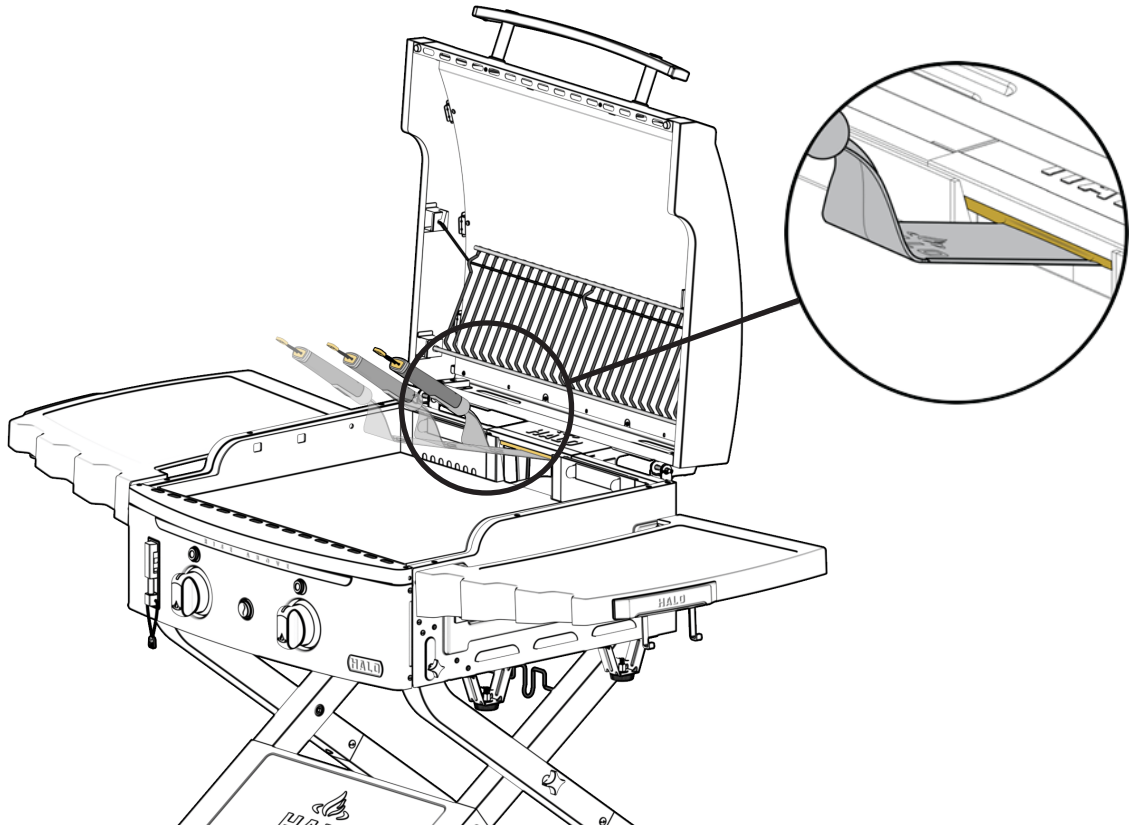
1. Pull-out spring-loaded knurl knob.
2. Rotate the handle back to empty the grease.



**NOTE:** For easy cleanup, purchase Halo's disposable grease bucket liners at [www.halo-pg.com](http://www.halo-pg.com).

## UTENSIL CLEAN-OFF FEATURE

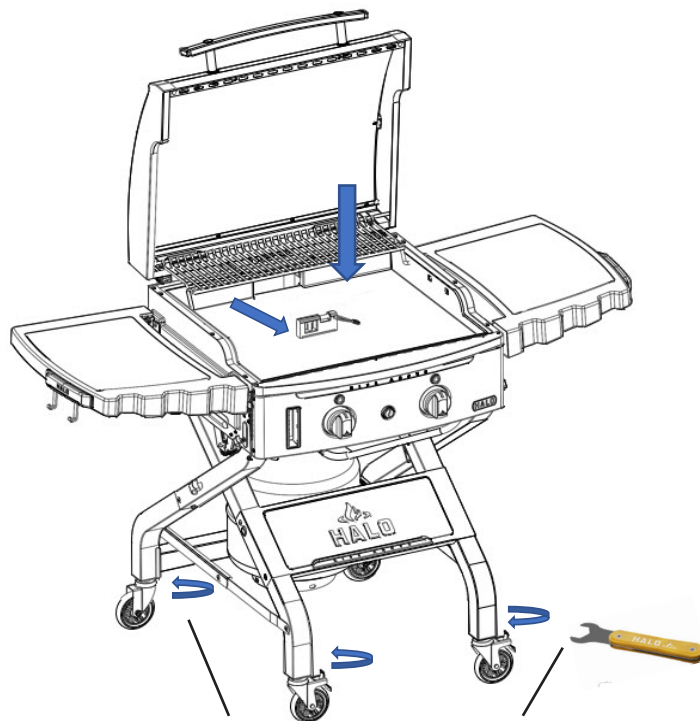
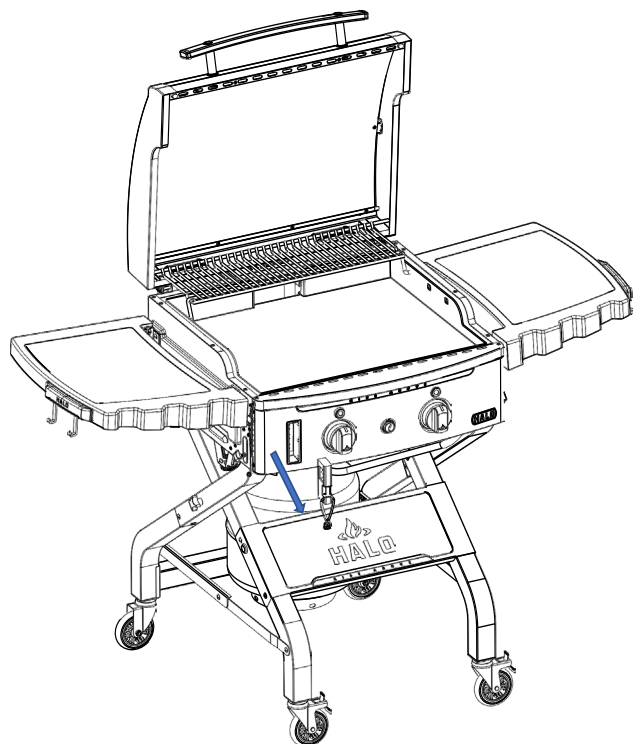
Clean your spatula during cooking or clean-up with the stationary squeegee bar conveniently located above the grease drain opening on your Elite2B Outdoor Griddle.



# LEVELING FEATURE

**NOTE:** Before using the unit, level it when it is cool.

We made leveling your cooking surface easier. Use the provided leveler (located on the left front of the griddle) and M12 castor wrench when adjusting the griddle feet (casters) before cooking.




Turn clockwise  
to reduce the height

Turn counterclockwise  
to increase the height

# SEASONING YOUR GRIDDLE

## INITIAL GRIDDLE SEASONING

The simple idea behind an initial seasoning is to coat the griddle with oil and then heat the oil above its smoke point to polymerize the oil and create a bond with the griddle top. You will end up with a dark coated surface that is easy to clean.

1. Preheat the griddle for 12 minutes on  DUAL ZONES setting with the lid closed.
2. Apply a small amount of oil to the surface of the griddle top and spread it around with a cloth or paper towel (use tongs or a metal spatula to hold the cloth or paper towel during application). Make sure to apply an even coating across the entire griddle surface and inner walls until it reaches its “smoke point” and let it continue to heat the griddle top until it stops smoking.
3. Repeat this process (Step 2) 4-5 times. Your griddle top will start to turn shiny black.
4. This griddle seasoning procedure will take about 18-20 minutes.

### CAUTION

**DO NOT USE SOAP ON THE GRIDDLE COOKING SURFACE.** This will destroy the griddle’s seasoning.

### DANGER

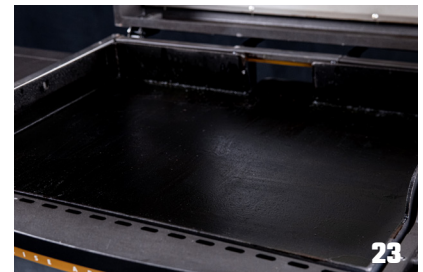
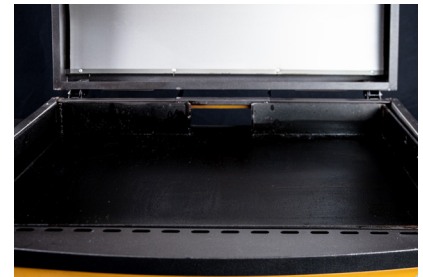
**DO NOT** place flammable items on side shelves near the griddle. Aerosol containers are particularly hazardous because they can overheat and result in an explosion, fire, severe personal injury, or death.

### WARNING

- **DO NOT** place oily or greasy towels near the griddle unit as they can spontaneously combust.
- **NEVER APPLY COLD WATER ACROSS THE WHOLE SURFACE OF A HOT GRIDDLE AT ONCE.** This may cause warping.
- **DO NOT** leave griddle unattended while preheating or burning off food residue. If griddle has not been regularly cleaned, a grease fire can occur that may cause serious injury or property damage.

## WHAT A WELL-SEASONED GRIDDLE SHOULD LOOK LIKE

Your well-seasoned griddle should be shiny black and have a natural non-stick cooking surface. The more you cook with and season your griddle top, the darker, stick resistant, and shiny it will become.



# CARING FOR YOUR ELITE2B

## USE + CARE

- Regularly clean your HALO Elite2B Outdoor Griddle between uses and especially after extended periods of storage.
- Make sure the HALO Elite2B Outdoor Griddle and its components are adequately cooled before cleaning your griddle.
- Never handle hot parts with unprotected hands.
- We strongly recommend the unit be covered to extend and maintain the life and condition of your HALO Elite2B Outdoor Griddle. (Halo Griddle Cover P/N HZ-5003 can be acquired at [www.halo-pg.com](http://www.halo-pg.com) once available for purchase) when left outside for any length of time after each usage, especially during the winter months.
- Empty and clean the grease cup after every use.

## STORAGE

- Annual checking and tightening of fasteners and fittings are recommended before storage.
- Store your HALO Elite2B Outdoor Griddle in a cool, dry place.
- We recommend covering the burners with aluminum foil in order to prevent insects or other debris from collecting in the burner ports.
- If storing your HALO Elite2B Outdoor Griddle indoors, the gas cylinder must be disconnected and left outside.
- The gas cylinder should always be stored outside and in a dry, well-ventilated area and out of reach of children.

## FIRST TIME CLEANING THE GRIDDLE SURFACE

HALO griddles are pre-treated with cooking oil to prevent rust and damage during shipping. For first time use, wash griddle with hot, soapy water between uses and especially after extended periods of storage.

**THIS IS THE ONLY TIME YOU SHOULD USE SOAP ON THE GRIDDLE COOKING SURFACE.** Rinse and dry completely. Proceed with seasoning instructions. (Please reference the Griddle Seasoning Instructions section on page 23.)

## CLEAN + MAINTAIN YOUR GRIDDLE

### STEP 1

To clean the griddle after each use, cool griddle below 300° F, scrape gently with a metal spatula or scraper.

### STEP 2

Wipe down the griddle surface with a cloth or paper towel. Pour water onto the hot griddle surface for tough food residue and let it boil the residue off.

### STEP 3

You should apply a very thin coat of oil to maintain your seasoning bond and protect it from rust after you are done using your griddle.

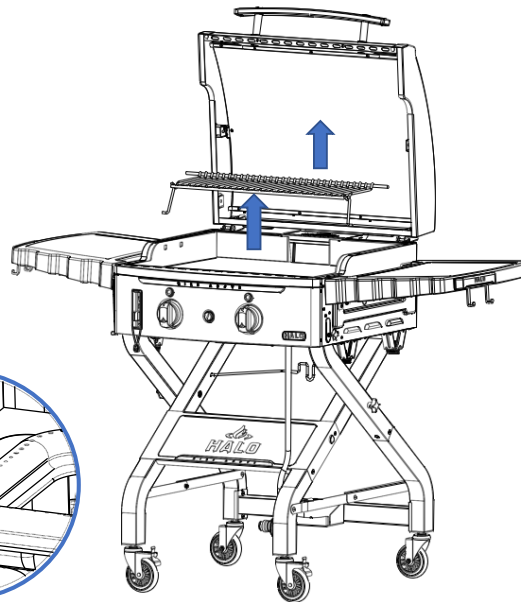
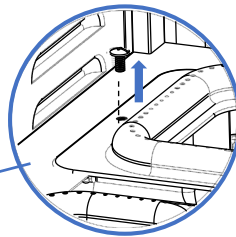
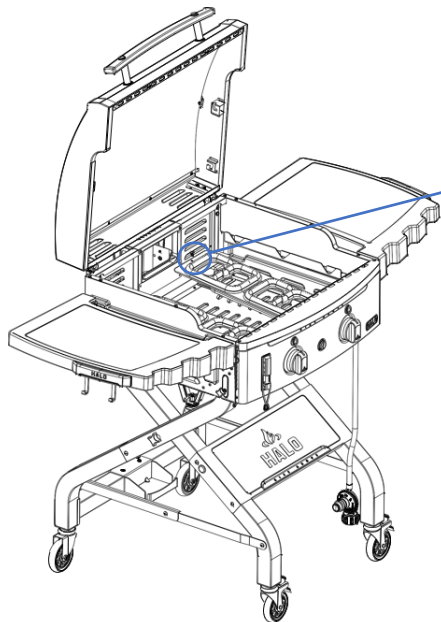
### STEP 4

If rust or scaling, rub it off with steel wool and re-season the surface.



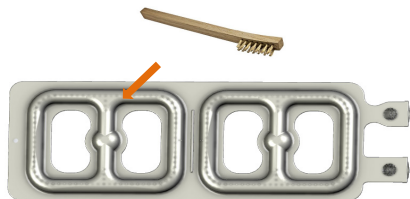
# HOW TO CLEAN THE BURNERS

- 1** Turn gas OFF at the control knobs and at LP cylinder (not pictured).
- 2** Remove the swing-away warming rack and griddle plate. Carefully detach and remove the burner.

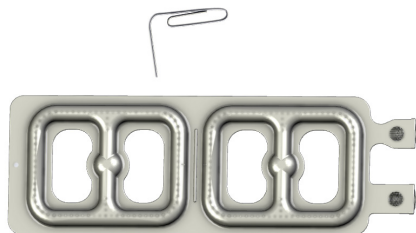




**3** Run a narrow bottle brush through burner venturi several times. (Do not use wire brushes.)

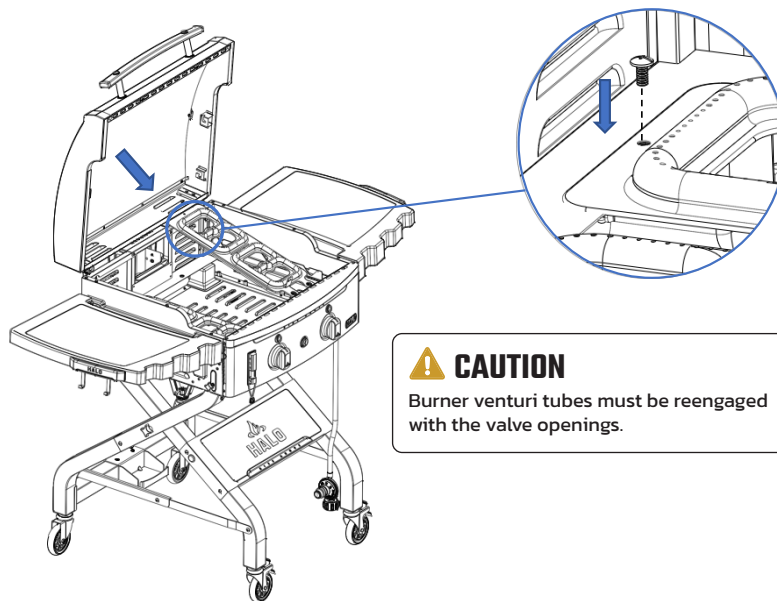
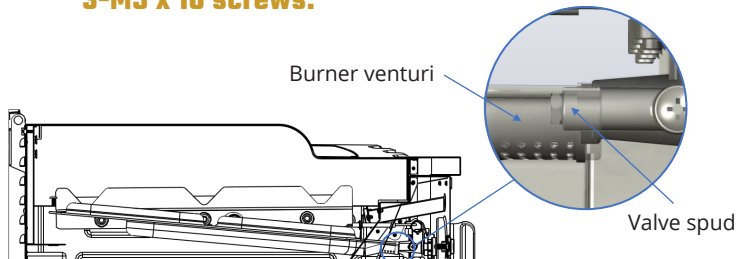


**4** Brush the entire outer burner surface to remove grime and rust.



**5** Clean any blocked ports with a stiff wire such as an open paper clip.

**6** Reinsert each burner carefully, then fasten with 3-M5 x 10 screws.

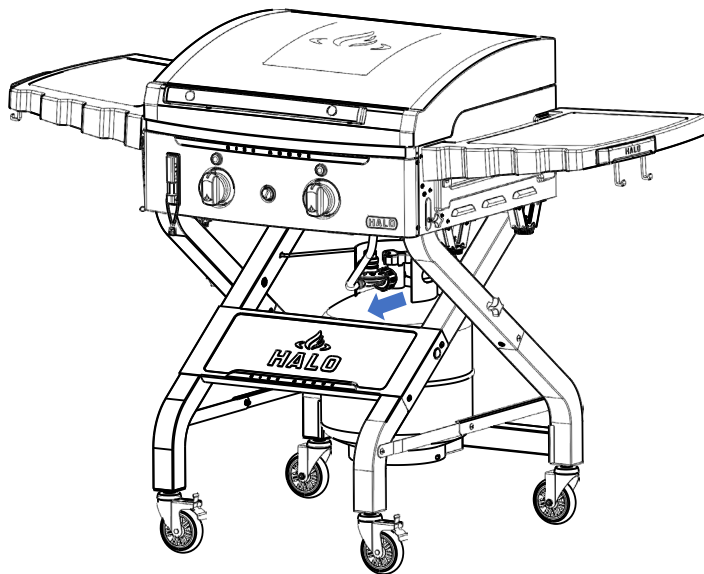


**CAUTION**

Burner venturi tubes must be reengaged with the valve openings.

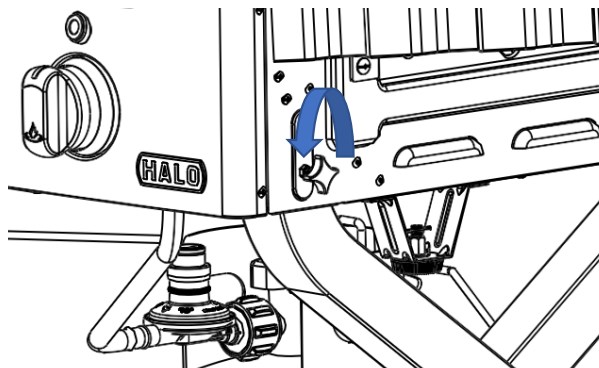
# CONVERTING YOUR GRIDDLE

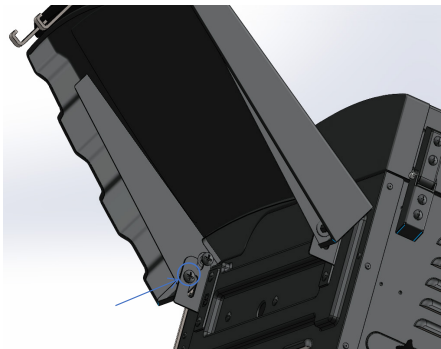
## HOW TO CONVERT YOUR GRIDDLE FROM PORTABLE TO TABLETOP



- 1 Remove Hose and Regulator assembly from the cylinder.

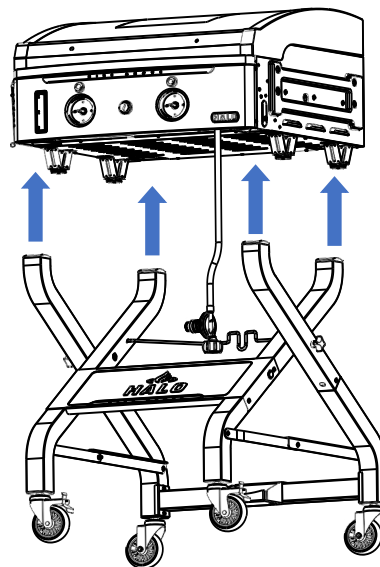
- 2 Loosen all 4 x 1/4"-20 x 15mm Knobs w/ Threaded Shaft from sides and back of unit.



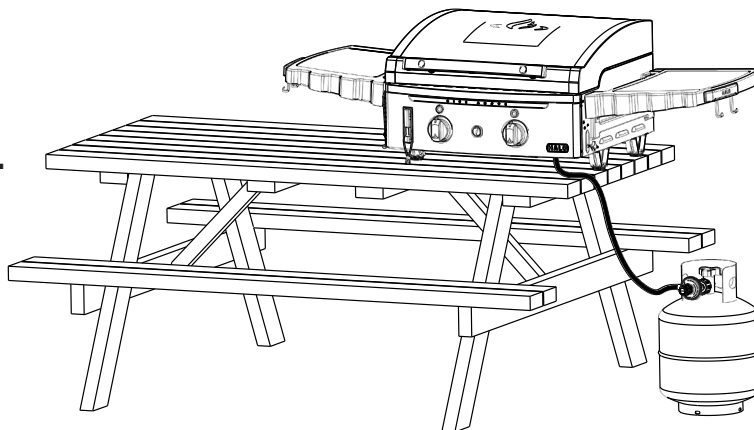


- 3** (Optional step) The side tables can be taken off by removing 4 x M6 x 7H shoulder screws.

- 4** Lift up the Fire Chamber Assembly from the cart with the help of a friend.



- 5** Place the Fire Chamber Assembly on the park bench or table with the help of a friend.



# TROUBLESHOOTING

## BURNER WILL NOT LIGHT USING ELECTRONIC IGNITION

### POSSIBLE CAUSE:

- Faulty regulator
- Obstructions in burner venturis
- Obstructions in gas orifice or gas hose
- Electrode is damaged/faulty igniter
- Empty LP cylinder

### SOLUTION:

- Check the regulator or needs to be replaced
- Clean venturis and burner with small size round wire brush
- Clean orifice and gas hose
- Change electrode assembly and ignitor wire or change igniter module
- Replace with a new LP cylinder

## BURNER WILL NOT LIGHT WITH A MATCH

### POSSIBLE CAUSE:

- Faulty regulator
- Obstructions in burner
- Obstructions in gas orifice or gas hose
- Empty LP cylinder

### SOLUTION:

- Have the regulator checked or replaced
- Clean burner
- Clean orifice and gas hose
- Use a new LP cylinder

## FIRE IN BURNER VENTURI HAS A LOW FLAME OR FLASHBACK (A HISSING OR ROARING NOISE MAY BE HEARD)

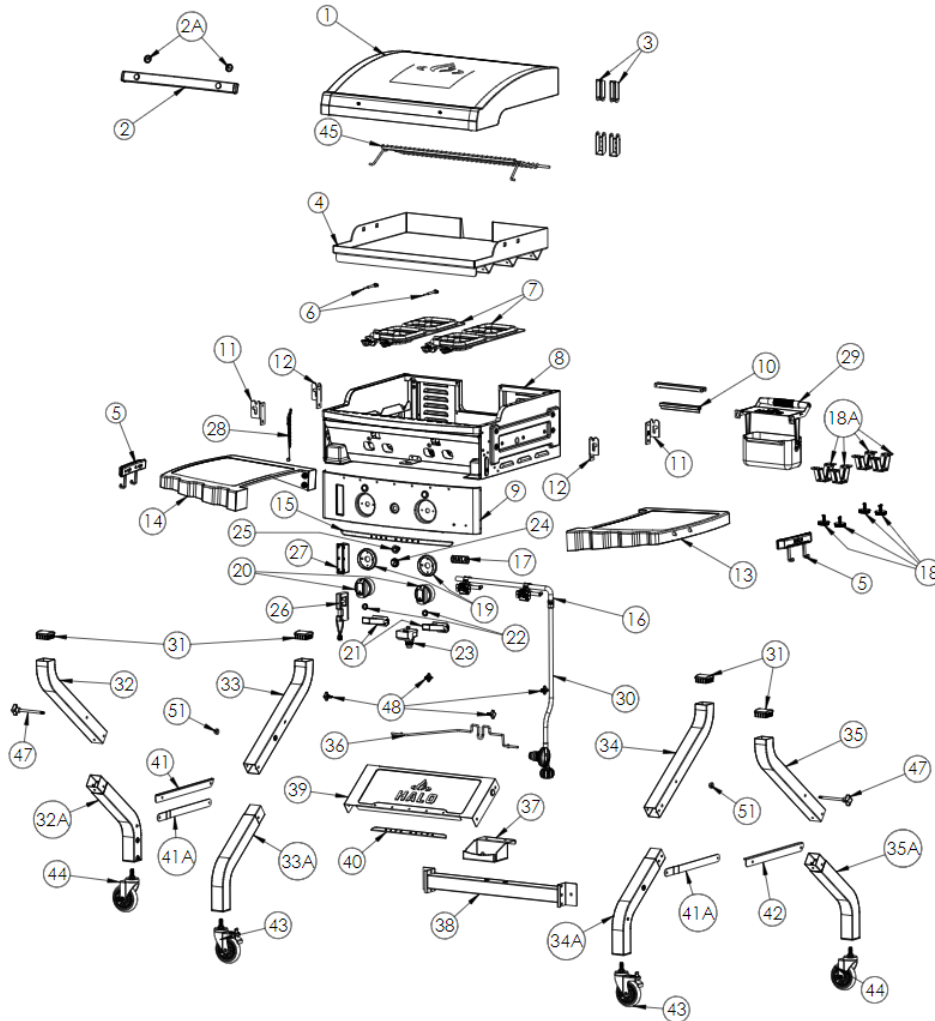
### POSSIBLE CAUSE:

- Obstructions in burner
- Obstructions in gas orifice or gas hose
- Windy conditions

### SOLUTION:

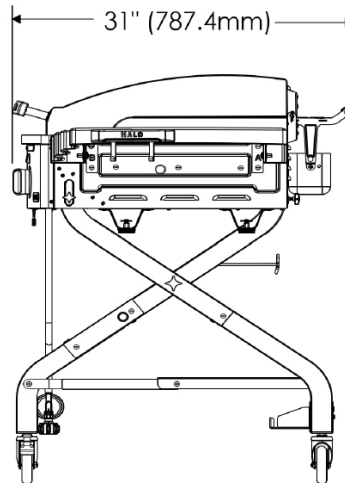
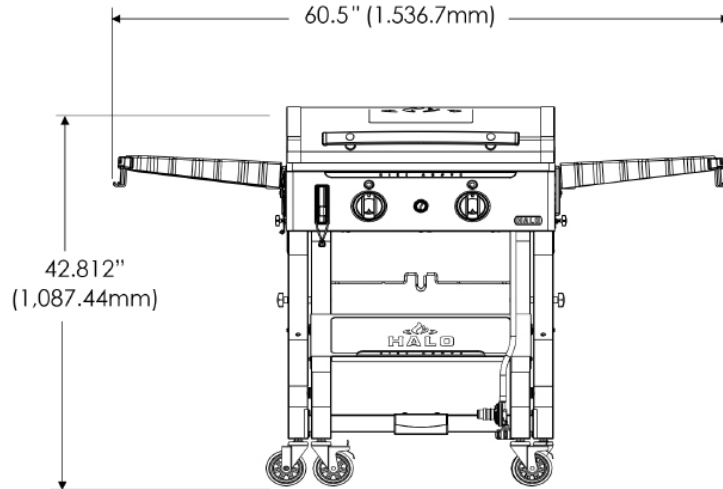
- Clean burner
- Clean orifice
- Use your griddle in more protected location

# ELITE2B PARTS LIST



ITEM	PART DESCRIPTION	PART NO.	QUANTITY	ITEM	PART DESCRIPTION	PART NO.	QUANTITY
1	Lid Assembly	HZ-1003-01	1	31	Cap-Leg	HZ-1001-48	4
2	Lid Handle Assembly	HS-1005-02	1	32	Left-Outer Leg-Long	HZ-1001-49	1
2A	Lid Handle Standoff-Bezel	HZ-1001-03	2	32A	Left-Outer Leg-Short	HZ-1001-50	1
3	Hinge Set-Lid (Lower & Upper)	HZ-1001-04	2	33	Left-Inner Leg-Long	HZ-1001-51	1
4	Griddle Plate	HZ-1003-02	1	33A	Left-Inner Leg-Short	HZ-1001-52	1
5	"JJ" Hook Handle-L & R	HZ-1001-06	2	34	Right-Inner Leg-Long	HZ-1001-53	1
6	Electrode Assembly w/ wire 58cm (22.83") long	HZ-1001-07	2	34A	Right-Inner Leg-Short	HZ-1001-54	1
7	Burner Assembly	HZ-1001-08	2	35	Right-Outer Leg-Long	HZ-1001-55	1
8	Fire Chamber	HZ-1003-03	1	35A	Right-Outer Leg-Short	HZ-1001-56	1
9	Control Panel	HZ-1003-04	1	36	Tank Retention Wire	HZ-1003-09	1
10	Squeegee Blade-Common	HZ-1007-4A	1	37	Tank Support Bracket	HZ-1001-32	1
11	Bracket-Side Table-A	HZ-1001-10	2	38	Rear Brace	HZ-1003-10	1
12	Bracket-Side Table-B	HZ-1001-11	2	39	Front Panel	HZ-1003-11	1
13	Side Table-Right	HZ-1001-12	1	40	RISE ABOVE Logo Plate	HZ-1004-39	1
14	Side Table-Left	HZ-1001-13	1	41	Pivot Bracket-A	HZ-1001-36	1
15	RISE ABOVE Decorative Piece	HZ-1004-39	1	41A	Pivot Bracket-B	HZ-1001-37	2
16	Valve & Manifold Assembly	HZ-1003-05	1	42	Pivot Bracket-C	HZ-1001-38	1
17	HALO Logo Plate	HZ-1004-27	1	43	Caster w/ Lock	HO-1006-XNA-13	2
18	Adjustable Foot	HZ-1001-16	4	44	Caster-Swivel	HO-1006-XNA-12	2
18A	Foot Bracket	HZ-1001-16A	4	45	Swing Away Warming Rack w/ Support Wire	HZ-1003-12	1
19	Bezel-Control Knob-Common	HZ-1004-37	2		<b>HARDWARE BLISTER PACK</b>	HZ-1001-39	1
20	Control Knob-Common	HZ-1004-38	2	46	M6 x 14 mm Screw	HZ-1001-40	42
21	Viewer Tube-Burner	HZ-1003-06	2	47	M6 x 93 mm-Knob with Threaded Shaft	HZ-1001-41	2
22	Glass Lens-Burner Viewer	HZ-1001-17	2	48	1/4"-20 x 15 mm Knob with Threaded Shaft	HZ-1001-42	4
23	Electronic Igniter Module w/ 2 outlets	HZ-1004-32	1	49	M6 x 3H-Shoulder Screw	HZ-1001-43	4
24	Silicone Cap-Igniter Switch	HZ-1004-36	1	50	M6 x 7H-Shoulder Screw	HZ-1001-44	8
25	Igniter Switch	HZ-1004-35	1	51	Nylon Spacer	HZ-1001-45	2
26	Leveler	HZ-1007-21	1	52	M12 Wrench	HZ-1001-46	1
27	Housing-Leveler	HZ-1007-22	1				
28	Match Lighting Stick	HZ-1003-08	1				
29	Grease Cup w/ Cover	HZ-1001-21	1				
30	Adjustable regulator w/ Braided Hose	HZ-1001-22	1				

# ASSEMBLED DIMENSIONS





# FIVE (5) YEAR LIMITED WARRANTY

This warranty only applies to products purchased from an authorized retailer after using REGISTER MY HALO via QR Codes or on halo-pg.com to register a new product. Registration must be completed within 30 days of purchase from Manufacturer to qualify for this warranty. Under this warranty, Manufacturer expressly warrants the following:

Manufacturer warrants to the original consumer-purchaser only that this product shall be free from defects in workmanship and materials after correct assembly and under normal and reasonable home use for the periods indicated below beginning on the date of purchase.

SCOPE OF COVERAGE	PERIOD OF COVERAGE	TYPE OF FAILURE COVERAGE
HALO carries warranty against defects and workmanship on all parts, components not covered below	5 Years	PERFORATION, MANUFACTURING, AND MATERIAL DEFECTS ONLY
Electrical Components	1 Year	
Paint	1 Year	

The manufacturer reserves the right to require that defective parts be returned, postage and or freight pre-paid by the consumer for review and examination.

Please retain a copy of your proof of purchase to validate your warranty. You may be requested to send in a copy of your receipt to confirm any warranty requests.

The original consumer-purchaser will be responsible for all shipping charges for parts replaced under the terms of this limited warranty. This limited warranty is applicable in the United States and Canada only, is only available to the original owner of the product and is not transferable. Manufacturer requires proof of your date of purchase. Therefore, you should retain your sales slip or invoice. Registering your product is not a substitute for proof of purchase and the manufacturer is not responsible for or required to retain proof of purchase records. This limited warranty applies to the functionality of the product ONLY and does not cover cosmetic issues such as scratches, dents, corrosions or discoloring by heat, abrasive and chemical cleaners or any tools used in the assembly or installation of the appliance, surface rust, or the discoloration of stainless-steel surfaces. Paint is not warranted and will require touch-up. RUST is not considered a manufacturing or materials defect.

**This limited warranty will not reimburse you for the cost of any inconvenience, food, personal injury, or property damage.**

# FIVE (5) YEAR LIMITED WARRANTY

## ITEMS MANUFACTURER WILL NOT PAY FOR

1. Shipping cost, standard or expedited, for warranty and replacement parts.
2. Service calls to your home.
3. Repairs when your product is used for other than normal, single-family household or residential use.
4. Damage, failures, or operating difficulties resulting from accident, alteration, careless or negligent handling or operation, use by minor's misuse, abuse, fire, flood, improper installation or maintenance, installation not in accordance with electrical or plumbing codes, or use of products not approved by the manufacturer, or use of products not permitted under federal, state or local law, regulation and code.
5. Any food loss due to product failures or operating difficulties.
6. Replacement parts or repair labor costs for units operated outside the United States or Canada.
7. Pickup and delivery of your product.
8. Repairs to parts or systems resulting from unauthorized modifications made to the product.
9. The removal and/or reinstallation of your product.

## Disclaimer of Implied Warranties and Limitation of Remedies

Repair or replacement of defective parts is your exclusive remedy under the terms of this limited warranty. In the event of parts availability issues, the manufacturer reserves the right to substitute like or similar parts that are equally functional. Manufacturer will not be responsible for any consequential or incidental damages arising from the breach of either this limited warranty or any applicable implied warranty, or for failure or damage resulting from acts of God, improper care and maintenance, grease fire, accident, alteration, replacement of parts by anyone other than Manufacturer, misuse, transportation, commercial use, abuse, hostile environments (inclement weather, acts of nature, animal tampering), improper installation or installation not in accordance with local codes or printed manufacturer instructions.

**5** YEAR  
LIMITED  
**WARRANTY**

**THIS LIMITED WARRANTY IS THE SOLE EXPRESS WARRANTY GIVEN BY THE MANUFACTURER. NO PRODUCT PERFORMANCE SPECIFICATION OR DESCRIPTION WHEREVER APPEARING IS WARRANTED BY MANUFACTURER EXCEPT TO THE EXTENT SET FORTH IN THIS LIMITED WARRANTY. ANY IMPLIED WARRANTY PROTECTION ARISING UNDER THE LAWS OF ANY STATE, INCLUDING IMPLIED WARRANTY OF MERCHANTABILITY OR FITNESS FOR A PARTICULAR PURPOSE OR USE, IS HEREBY LIMITED IN DURATION TO THE DURATION AND SCOPE AS SET FORTH IN THIS LIMITED WARRANTY.**

Manufacturer's maximum liability, in any event, shall not exceed the purchase price of the product paid by the original consumer. NOTE: Some states do not allow an exclusion or limitation of incidental or consequential damages, so some of the above limitations or exclusions may not apply to you. This limited warranty gives you specific legal rights as set forth herein. You may also have other rights which vary from state to state. For purchases made in In the state of California only, if refinishing or replacement of the product is not commercially practicable, the California retailer selling this product will refund the purchase price paid for the product, less the amount directly attributable to use by the original consumer-purchaser prior to discovery of the nonconformity. In addition, in the state of California only, you may take the product to the retail establishment selling this product in order to obtain performance under this limited warranty. If you wish to obtain performance of any obligation under this limited warranty from Manufacturer, you should write to:

**Halo Products Group LLC 850 West Park Rd Elizabethtown KY, 42701**

Consumer returns will not be accepted unless a valid Return Authorization is first acquired from Manufacturer. Authorized returns must be clearly marked on the outside of the package with an RA number and the package is shipped freight with postage pre-paid. Consumer returns that do not meet these standards will be refused.

## **CONSUMER SERVICE**

For questions regarding your product, or if you need replacement parts, contact us at:

**Toll free: 1-833-572-1688** or

Visit us online at [www.halo-pg.com](http://www.halo-pg.com)

# MANUAL DEL USUARIO

## MODELO NO: HZ-1002-XNA



**⚠️ ADVERTENCIA**  
"Siga todas las advertencias e instrucciones cuando utilice el aparato."

**⚠️ ADVERTENCIA**  
El fabricante ha hecho todo lo posible para eliminar los bordes afilados. Sin embargo, debe manipular todos los componentes con cuidado para evitar lesiones accidentales.

**⚠️ ADVERTENCIA**

- El uso de alcohol, medicamentos de prescripción o no prescritos puede afectar a la capacidad del consumidor para montar correctamente o manejar con seguridad el aparato.
- Cuando cocine con aceite o grasa, tenga a mano un extintor de tipo BC o ABC.
- En caso de incendio de aceite o grasa, no intente extinguirlo con agua. Llame inmediatamente a los bomberos. Un extintor de tipo BC o ABC puede, en algunas circunstancias, contener el fuego.
- Este aparato no está destinado a servir de calefactor y no debe utilizarse nunca como tal.
- Este aparato estará caliente durante y después de su uso. Utilice guantes o manoplas aislantes para protegerse de las superficies calientes o de las salpicaduras de los líquidos de cocción.
- **No guarde una bombona de gas LP de repuesto debajo o cerca de este aparato.**
- **Nunca llene la bombona más allá del 80% de su capacidad;** y si no se siguen exactamente las instrucciones en **negrita**, puede producirse un incendio que cause la muerte o lesiones graves.
- El tanque de gas LP utilizado debe tener un collarín para proteger la válvula del tanque.

**⚠️ ADVERTENCIA**  
Este manual de instrucciones contiene información importante necesaria para el montaje correcto y el uso seguro del aparato.

**⚠️ ADVERTENCIA**

- "SÓLO PARA USO EXTERIOR".
- "LEA TODAS LAS INSTRUCCIONES ANTES DE INSTALAR Y UTILIZAR EL APARATO".
- "GUARDE ESTAS INSTRUCCIONES".

**⚠️ ADVERTENCIA**  
No intente encender este aparato sin leer la sección de Instrucciones de Encendido de este manual.

**⚠️ ADVERTENCIA**  
La distancia mínima entre los lados y la parte trasera de la unidad y las paredes o barandillas es de 36" (914.4 mm)". No utilizar debajo de construcciones aéreas.

**⚠️ ADVERTENCIA**  
Este aparato no está destinado a un uso comercial.

Halo Products Group LLC  
850 West Park Rd Elizabethtown KY, 42701  
Toll free: 1-833-572-1688

**ESCANEAR PARA**  
Registro del producto  
Guía del usuario en línea  
Vídeos de montaje



# INFORMACIÓN IMPORTANTE DE SEGURIDAD

## PELIGRO

Si huele a gas:

- Cierre el gas del aparato.
- Apague cualquier llama abierta.
- Abra la tapa.
- Si el olor continúa, aléjese del aparato y llame inmediatamente a los bomberos.

El incumplimiento de los Peligros, Advertencias y Precauciones contenidas en este Manual del Usuario puede provocar lesiones corporales graves o la muerte.

## ADVERTENCIA PARA USO EXTERIOR UNICAMENTE

y no debe utilizarse en un edificio, garaje o cualquier otra área cerrada.

## ADVERTENCIA

Mantenga cualquier cable de alimentación eléctrica y la manguera de suministro de combustible lejos de cualquier superficie caliente.

## ADVERTENCIA

No deje el aparato desatendido. Mantenga a los niños y a los animales domésticos alejados del aparato en todo momento.

## ADVERTENCIA

### PROPOSICIÓN 65 DE CALIFORNIA

Este producto puede exponerle a sustancias químicas, incluido el monóxido de carbono, que el Estado de California conoce como causantes de cáncer y defectos de nacimiento u otros daños reproductivos. Para más información, visite [www.P65Warnings.ca.gov](http://www.P65Warnings.ca.gov)

## PELIGRO

- No utilice nunca este aparato sin vigilancia.
  - Nunca haga funcionar este aparato a menos de 3.0 m (10') de cualquier estructura, material combustible u otra bombona de gas.
  - No utilice nunca este aparato a menos de 7.5 m de cualquier líquido inflamable.
  - Si se produce un incendio, aléjese del aparato y llame inmediatamente a los bomberos. No intente extinguir un incendio de aceite o grasa con agua.
- Si no se siguen estas instrucciones, puede producirse un incendio, una explosión o un riesgo de quemadura que podría causar daños materiales, lesiones personales o la muerte.

## ADVERTENCIA

Coloque el tapón antipolvo en la salida de la válvula del cilindro siempre que no esté en uso. Instale en la salida de la válvula del cilindro sólo el tipo de tapón antipolvo que se suministra con la válvula del cilindro. Otros tipos de tapas o tapones pueden provocar fugas de propano.

## ADVERTENCIA

Cuando utilice un fósforo para encender el aparato, asegúrese de utilizar la varilla de fósforos incluida o un fósforo largo de 11".

## ADVERTENCIA

Las arañas y los insectos pueden anidar dentro del quemador del aparato e interrumpir el flujo de gas. Inspeccione el quemador al menos una vez al año.

## ADVERTENCIA

- "Lea y siga todas las advertencias e instrucciones antes de armar y utilizar el aparato".
- "Siga todas las advertencias e instrucciones cuando utilice el aparato".
- "Guardé este manual para futuras consultas".
- "Mantenga la manguera de suministro de combustible lejos de cualquier superficie calentada".

## ADVERTENCIA

Compruebe que no hay fugas en todos los accesorios de suministro de gas antes de cada uso. No utilice el aparato hasta que se hayan comprobado todas las conexiones y no presenten fugas.

## ADVERTENCIA

En caso de lluvia, nieve, granizo, aguanieve u otras formas de precipitación mientras se cocina con aceite o grasa, cubra inmediatamente el recipiente de cocción y cierre los quemadores del aparato y el suministro de gas. No intente mover el aparato ni el recipiente de cocción.

## PROTECCIONES DE SEGURIDAD DE LA INSTALACIÓN

- Utilice su Plancha de Exteriores HALO Elite2B tal y como la compró.
- La instalación de la Plancha de Exteriores HALO Elite2B debe cumplir con los códigos locales o, en ausencia de códigos locales, con el Código Nacional de Gas Combustible, ANSI Z223.1/ NFPA 54, el Código de Instalación de Gas Natural y Propano, CSA B149.1, o el Código de Almacenamiento y Manejo de Propano, B149.2, o la Norma para Vehículos Recreativos, ANSI A 119.2/NFPA 1192, y CSA Z240 RV Series, Código de Vehículos Recreativos, según corresponda.
- La Plancha de Exteriores HALO Elite2B no debe utilizarse en vehículos de recreo y/o barcos.
- La Plancha de Exteriores HALO Elite2B está certificada para su uso exclusivo en Estados Unidos. No modificar para su uso en otros países. La alteración supondrá un peligro para la seguridad.
- Asegúrese de utilizar el regulador de presión suministrado con el aparato. El regulador de presión de reemplazo N/P #HZ-1001-22, para un cilindro de 20 libras, debe ser utilizado con el aparato.
- Coloque el tapón antipolvo en la salida de la válvula del cilindro siempre que este no esté en uso. Instale en la salida de la válvula del cilindro sólo el tipo de tapón antipolvo que se suministra con la válvula del cilindro. Otros tipos de tapas o tapones pueden provocar fugas de propano.

## MANTENIMIENTO DE SEGURIDAD

- Mantenga la zona del aparato despejada y libre de materiales combustibles, gasolina y otros vapores y líquidos inflamables.
- No obstruya el flujo de aire de combustión y ventilación.
- Mantenga la abertura de ventilación de la caja de la bomba libre y sin residuos.
- Compruebe visualmente las llamas del quemador.
- Limpie el aparato, incluidas las superficies especiales, con los productos de limpieza recomendados, si es necesario.
- Compruebe y limpie el tubo del quemador/venturi en busca de insectos y nidos de insectos. Un tubo obstruido puede provocar un incendio debajo del aparato.

## USO Y CUIDADO

- Apague su Plancha de Exteriores HALO Elite2B cuando no la utilice.
- Nunca mueva la Plancha de Exteriores HALO Elite2B mientras esté en funcionamiento o aún caliente.
  - Utilice utensilios de barbacoa de mango largo y guantes de cocina para evitar quemaduras y salpicaduras de grasa.
- 38** • Mantenga la unidad a un mínimo de 36" de distancia de paredes, edificios, vehículos u otras estructuras mientras esté en uso.




- Limpie su Plancha de Exteriores HALO Elite2B después de cada cocción.
- Cierre el suministro de gas si observa que la grasa gotea sobre la válvula o el regulador. Determine la causa, corríjala y luego limpie y revise la válvula, la manguera y el regulador antes de continuar operando su Plancha de Exteriores HALO Elite2B.
- Mantenga las aberturas de ventilación de la caja del cilindro libres y sin residuos.
- El regulador puede emitir un zumbido o un silbido durante su funcionamiento. Esto no afectará a la seguridad ni al uso de su Plancha de Exteriores HALO Elite2B.
- Apague su Plancha de Exteriores HALO Elite2B inmediatamente si el regulador se congela. Esto indica un problema con el cilindro LP, y no debe ser utilizado en ningún producto. Devolver al proveedor.
- Llame al Servicio de Atención al Consumidor al 1-833-572-1688 si tiene un problema con su Plancha de Exteriores HALO Elite2B y consulte la sección de Resolución de Problemas en la página 55.

## VERIFIQUE EL ESTADO DE LA VÁLVULA DE CONTROL

### IMPORTANTE:

- Para comprobar la válvula, primero empuje el mando de control y luego suéltelo. El mando de control debería saltar hacia atrás. Si el mando de control no retrocede, sustituya el conjunto de la válvula antes de utilizar su Plancha de Exteriores HALO Elite2B.
- Empuje y gire el mando de control en sentido contrario a las agujas del reloj hasta la posición LOW (bajo), y luego vuelva a la posición OFF (apagado). La válvula debe girar suavemente.

## COMPROBACIÓN DE LA LLAMA DEL QUEMADOR

Gire el mando de control a  para encender el quemador. Pulse el botón  de encendido electrónico durante 2-3 segundos. Oirá un clic, luego gire a  para encender ambas zonas del quemador. Gire el mando de HIGH (alto) a LOW (bajo). Debería ver una llama más pequeña en la posición LOW que la vista en HIGH. Compruebe siempre la llama antes de cada uso. Si sólo se ve la llama LOW, consulte "Caída repentina o llama baja" en la sección de resolución de problemas en la página 55.

## LIMPIEZA GENERAL

- **Componentes de plástico:** No utilice Cortisol, limpiadores abrasivos, desengrasantes o un limpiador concentrado para hornos en las piezas de plástico que puedan causar daños. Lavar con agua tibia y jabón y secar con un paño.
- **Superficies pintadas:** Lavar con un detergente suave o un limpiador no abrasivo y agua tibia con jabón. Secar con un paño suave no abrasivo. No utilice una esponja abrasiva en las zonas con gráficos. Los depósitos de

grasa o la grasa horneada pueden requerir el uso de una esponja de limpieza de plástico no abrasiva. No aplique un limpiador de hornos corrosivo a las superficies pintadas.

**Consejos para la Limpieza del Acero Inoxidable:**

**Paso 1:** Sumerja un paño suave en agua tibia mezclada con un detergente suave para platos. Limpie la superficie, enjuague el paño y vuelva a limpiarlo, luego séquelo con una toalla para evitar las manchas de agua.

**Paso 2:** Si todavía ve huellas dactilares, rocíe un limpiacristales en un paño suave y limpie las huellas dactilares.

**Paso 3:** Para eliminar los restos de comida y grasa, haga una pasta de bicarbonato de sodio y agua tibia. Frote suavemente la superficie con un paño suave o una esponja. Limpie con un paño limpio y húmedo y seque con una toalla. Para los arañazos y las manchas, utilice un limpiador de acero inoxidable y aplíquelo en la zona, siguiendo las instrucciones. Enjuague con un paño limpio y húmedo y seque.

## LO QUE DEBE SABER SOBRE LA SEGURIDAD ALIMENTARIA

**Consejos de seguridad para el almacenamiento de alimentos:**

- Entender qué son los alimentos de "alto riesgo".
- Mantenga siempre los alimentos de alto riesgo a la temperatura adecuada.
- Guarde los alimentos crudos, como la carne, mariscos y verduras crudas, debajo de los alimentos cocinados en el refrigerador o el congelador.
- Guarde los alimentos en recipientes de vidrio o plástico debidamente tapados.
- Evite volver a congelar los alimentos ya descongelados.

## PLANCHA DE COCINA Y SEGURIDAD

1. **LÁVESE LAS MANOS**—Lávese las manos con agua caliente y jabón durante al menos 15–20 segundos antes y después de manipular alimentos.
2. **SEPARE LOS ALIMENTOS CRUDOS DE LOS LISTOS PARA COMER/ COCINADOS**
  - Asegúrese de que los alimentos crudos se mantengan siempre refrigerados y alejados de los alimentos listos para comer/ cocinados. Los alimentos que se están marinando también deben mantenerse cubiertos en el refrigerador.
  - Los alimentos listos para consumir (como ensaladas, verduras, salsas) y los alimentos cocinados nunca deben entrar en contacto con los alimentos crudos, ya que esto hace que las bacterias dañinas contaminen los alimentos cocinados.
  - Asegúrese siempre de utilizar tablas de cortar/utensilios separados para los alimentos crudos y cocinados, y lávese siempre las manos después de manipular alimentos crudos.

3. **COCINE BIEN LOS ALIMENTOS**

- La intoxicación alimentaria está causada por bacterias nocivas, como la E-Coli y la Salmonella, que se eliminan al cocinar. Para garantizar la seguridad de los alimentos, es esencial cocinarlos bien.
- Corte en la parte más gruesa de la carne con un tenedor y un cuchillo afilado para comprobar si está cocida. Si el color de la carne en el centro sigue siendo rosado, necesita cocinarse más tiempo.
- Las hamburguesas deben estar siempre bien cocinadas y nunca deben servirse rosadas.
- En la mayoría de los supermercados hay termómetros para alimentos, que permiten saber fácilmente si la carne está cocida al sondearla a 165 grados Fahrenheit o 74 grados Celsius. Son una herramienta muy útil para tener en la cocina.

4. **SERVIR LOS ALIMENTOS INMEDIATAMENTE DESPUÉS DE COCINARLOS**

— Dejar que los alimentos cocinados permanezcan a temperatura ambiente permite la proliferación de bacterias dañinas. Una vez que los alimentos estén cocinados, sívalos inmediatamente; de lo contrario, debe enfriar los alimentos cocinados rápidamente, refrigerarlos y consumirlos en los siguientes 2 días.

5. **MANTENGA SIEMPRE LOS ALIMENTOS CUBIERTOS**—Mantenga siempre los alimentos cubiertos para asegurarse de que las moscas no los contaminen.

## CÓMO COMPROBAR SI LA CARNE ESTÁ LISTA EN LA PLANCHA

- Utilice un termómetro de carne para asegurarse de que los alimentos han alcanzado una temperatura interna segura.
- Las aves de corral enteras deben alcanzar los 165 °F/ 73.8 °C para la carne oscura, y los 160 °F/ 71 °C para la carne blanca.
- Las hamburguesas hechas con cualquier carne picada o de ave deben alcanzar los 160°F/71°C y estar doradas en el centro sin jugos rosados. Los filetes, asados y chuletas de ternera y cordero pueden cocinarse a 145°F/63°C. Todos los cortes de cerdo deben alcanzar los 160°F/71°C.

**NUNCA** ase parcialmente la carne o las aves y termine de cocinarlas más tarde. Cocine los alimentos completamente para destruir las bacterias dañinas.

# REGISTRO DE PRODUCTOS

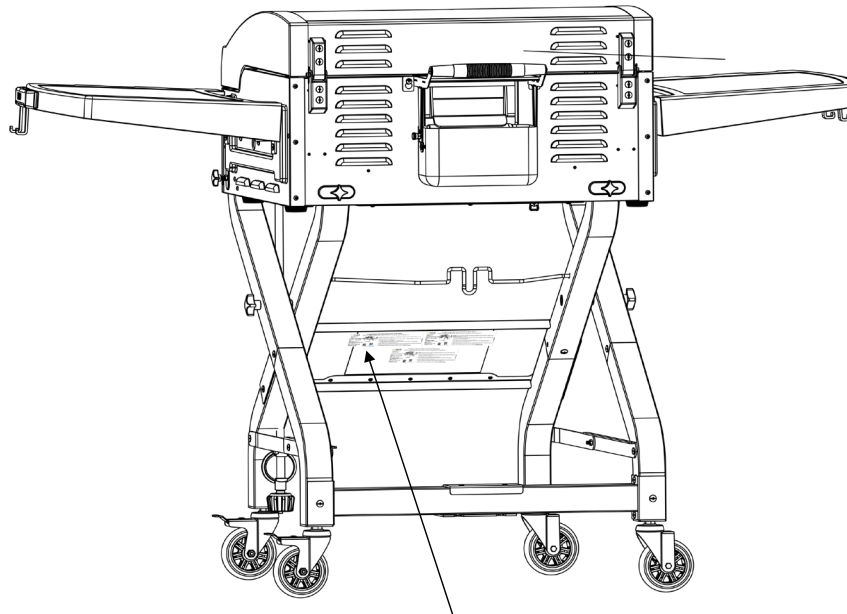
**IMPORTANTE:** Llenar la información de registro del producto a continuación, o para registrar su producto, visite nuestra página web en [www.halo-pg.com](http://www.halo-pg.com).



Número de Modelo: \_\_\_\_\_

Número de Serie: \_\_\_\_\_

Fecha de Compra: \_\_\_\_\_





# CONECTAR TANQUE DE 20 LBS.

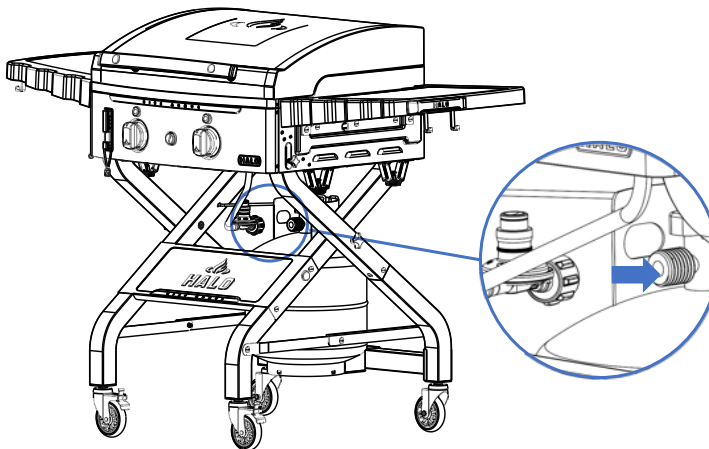
## ⚠ ADVERTENCIA

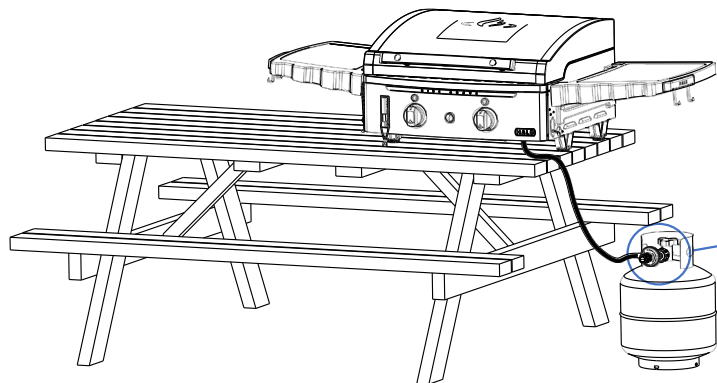
El tanque de LP utilizado con esta Plancha Plana debe cumplir con los siguientes requisitos:

- Utilice el aparato sólo con gas LP (propano) y el conjunto regulador/de válvula suministrado.
- La instalación debe cumplir con los códigos locales o, en su defecto, con el Código Nacional de Gas Combustible, NFPA 54/ANSI Z223.1. La manipulación y el almacenamiento de los cilindros de gas LP deben cumplir con el Código de Gas LP NFPA/ANSI 58.
- No modifique este aparato. Las modificaciones supondrán un riesgo para la seguridad.
- Habitantes de apartamentos: Consulte con la administración para conocer los requisitos y códigos de incendio para utilizar un aparato de gas LP en un apartamento. Si está permitido, utilícelo en el exterior en la planta baja con una distancia de 3 metros de las paredes o barandillas.

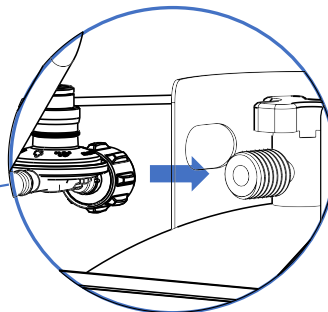
## CONECTAR MANGUERA + REGULADOR AJUSTABLE A TANQUE DE 20 LBS.

1. Coloque el tanque LP en el soporte del tanque y asegúrelo con el cable de retención del tanque o el nivel, y una superficie estable.
2. Asegúrese de que la válvula del quemador está en posición OFF.
3. El tanque LP debe estar en la posición OFF. Si no es así, gire en el sentido de las agujas del reloj hasta que se detenga.
4. Retire la tapa protectora de la válvula del tanque LP. Utilice siempre el tapón y la correa suministrados con la válvula OPD.
5. **NO UTILICE UN TAPÓN DE TRANSPORTE DE POL** (pieza de plástico con rosca interna). **ANULARÁ LA FUNCIÓN DE SEGURIDAD DE LA VÁLVULA.**





Regulador acoplado



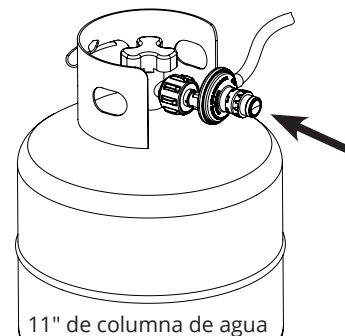
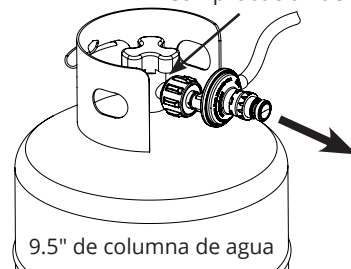
## CARACTERÍSTICA AÑADIDA

Su plancha está equipada con un regulador ajustable de baja presión. La presión de funcionamiento normal es de 11" de columna de agua y la presión de funcionamiento más baja disponible es de 9.5" de columna de agua. Cuando la plancha funcione en circunstancias normales, deberá tener el regulador ajustado a la presión de 11" de columna de agua. Si desea cocinar a temperaturas ligeramente más bajas, entonces ajuste el regulador en la posición de columna de agua de 9.5". Dependiendo del ajuste de temperatura que tenga el mando de control determinará cuánto más bajas será su temperatura cuando utilice el ajuste de presión más bajo. Por favor, vea las instrucciones sobre cómo cambiar el ajuste de la columna de agua de 11" y restablecerlo.

### CÓMO AJUSTAR EL REGULADOR

- Tire hacia atrás del acoplamiento con resorte para liberar la tapa del regulador y lograr una columna de agua de 9.5".
- Tire hacia atrás del acoplamiento con resorte y luego empuje la tapa del regulador con firmeza y suéltela. La tapa del regulador va a encajar y se bloqueará en su lugar para restablecer el regulador a 11" de columna de agua.

Comprobación de fugas



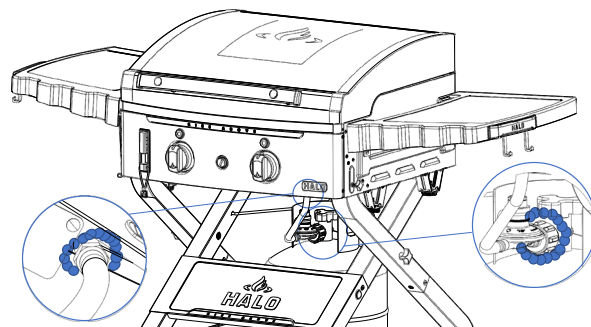
## PROCEDIMIENTO DE PRUEBA DE FUGAS

### ADVERTENCIA

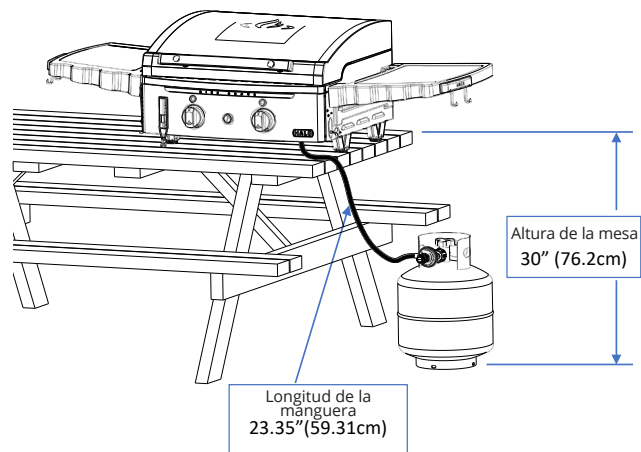
Peligro de tropiezo con la manguera y el cilindro de suministro.

- Asegúrese de fijar el cilindro de forma segura con el cable de retención del depósito.
- No haga funcionar el aparato sobre un tablero superior a 101.09 cm (39.8”).
- Asegúrese de colocar el cilindro en una superficie nivelada y lejos de peligros de tropiezo.

1. Coloque el conjunto de mangueras en el cilindro.
2. Abra lentamente la válvula del cilindro.
3. Realice una verificación de fugas en las conexiones del regulador a la manguera de la plancha al regulador y de la manguera a las conexiones del cilindro con agua jabonosa. Si ve burbujas, significa que hay una fuga. Compruebe que la conexión no esté mal enroscada y que está bien ajustada.
4. Realice otra comprobación de fugas. Verifique el ajuste de la tuerca de acoplamiento. Si sigue habiendo una fuga, retire el cilindro y póngase en contacto con el fabricante para que lo revise y lo repare.
5. Cuando el aparato no esté en uso, cierre la perilla de control y la válvula del tanque de LP en el cilindro de suministro.
6. No utilice nunca un tanque de LP si está visiblemente oxidado, dañado o caducado.
7. Si observa que la grasa u otro material caliente gotea del aparato sobre la válvula, la manguera o el regulador, cierre inmediatamente el suministro de gas. Determine la causa, corrija, limpie e inspeccione la válvula, la manguera y el regulador antes de continuar. Realice una prueba de fugas.
8. El regulador puede emitir un zumbido o un silbido durante su funcionamiento. Esto no afectará a la seguridad ni al uso del aparato.
9. Limpie e inspeccione la manguera antes de cada uso del aparato. Si hay evidencia de abrasión, desgaste, cortes o fugas, la manguera debe ser reemplazada antes de poner el aparato en funcionamiento. Consulte la etiqueta del producto para obtener información sobre la manguera y el regulador.
10. No obstruya los orificios de la parte inferior o de los lados del aparato.
11. Nunca opere el aparato con los tanques LP fuera de la posición correcta especificada en las Instrucciones de Ensamblaje.
12. Cierre siempre la válvula del tanque LP y retire la tuerca de acoplamiento antes de mover el tanque LP de la posición de funcionamiento especificada.
13. NUNCA almacene un tanque LP de repuesto debajo o cerca del aparato o en un recinto.
14. Si ve, huele o escucha un escape de gas, aléjese inmediatamente del tanque/aparato de gas licuado y llame a los bomberos.
15. Todos los tanques LP de repuesto deben tener tapas de seguridad instaladas en la salida del tanque LP.







Compruebe si hay fugas en estas conexiones



# INSTRUCCIONES DE ENCENDIDO

## ENCENDER LA PLANCHA

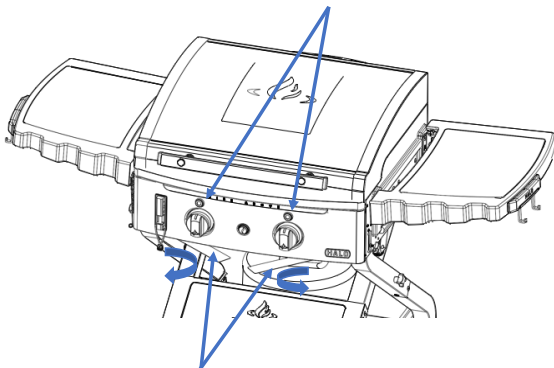
**NOTE:** Las instrucciones de encendido se encuentran debajo de la parte inferior del panel de control. Gire hacia fuera para seguir las instrucciones.

1. Abra la tapa durante el encendido. 
2. Empuje y gire el mando de control a . Presione el encendedor electrónico y manténgalo presionado durante 3-5 segundos y luego gire para encender la sección frontal del quemador.   


**NOTA:** Para confirmar que el quemador está encendido, mire a través del puerto de visualización del quemador sobre la perilla de control, luego gire la perilla de control para encender la sección trasera.

3. Si no se produce el encendido en 5 segundos, apague el control del quemador, espere 5 minutos y repita el procedimiento de encendido.


Puertos de visualización de los quemadores







## SÍMBOLOS

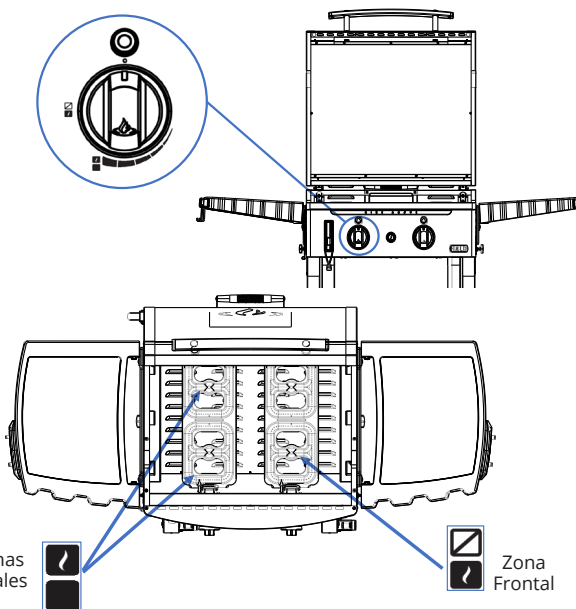
 Representa que la Unidad está en posición "OFF".

 Representa el Quemador está siendo encendido

 Representa el Quemador ya encendido

 Representa la Zona Frontal en  
 ajuste HIGH

 Representa las Zonas Duales en el  
 ajuste HIGH



## INSTRUCCIONES DE ENCENDIDO DE FÓSFOROS

**NOTA:** En la parte delantera izquierda de la cámara de combustión se encuentra una varilla para encender fósforos.

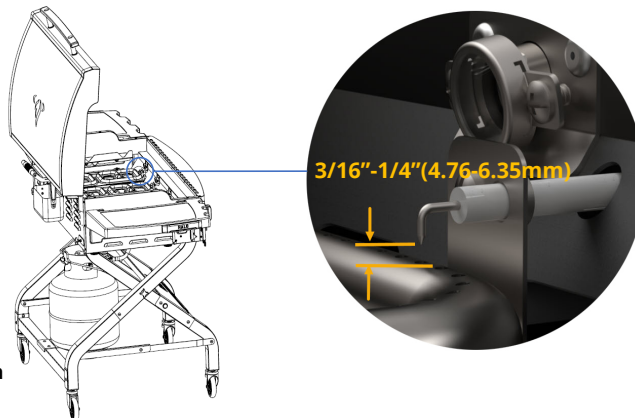
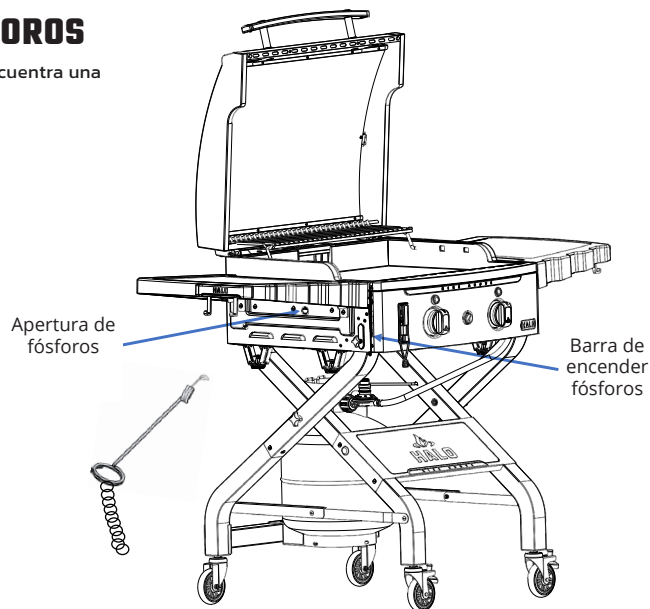
1. Abra la tapa.
2. Asegúrese de que el mando de control está en la posición OFF (Empuje el mando de control hacia abajo y gire en el sentido de las agujas del reloj para asegurarse de que está en la posición OFF).
3. Encienda el quemador con una varilla para encender fósforos o con un fósforo de 11" de largo, luego coloque el fósforo en la parte superior del quemador.
4. Empuje y gire el mando de control a posición para encender el quemador.
5. Asegúrese de que el quemador se enciende y permanece encendido.

### ADVERTENCIA

No se incline sobre la barbacoa abierta. Mantenga la cara y el cuerpo a una distancia mínima de 30 cm del orificio de fósforos cuando encienda la plancha.

## DISTANCIA ENTRE EL ENCENDIDO Y EL ELECTRODO

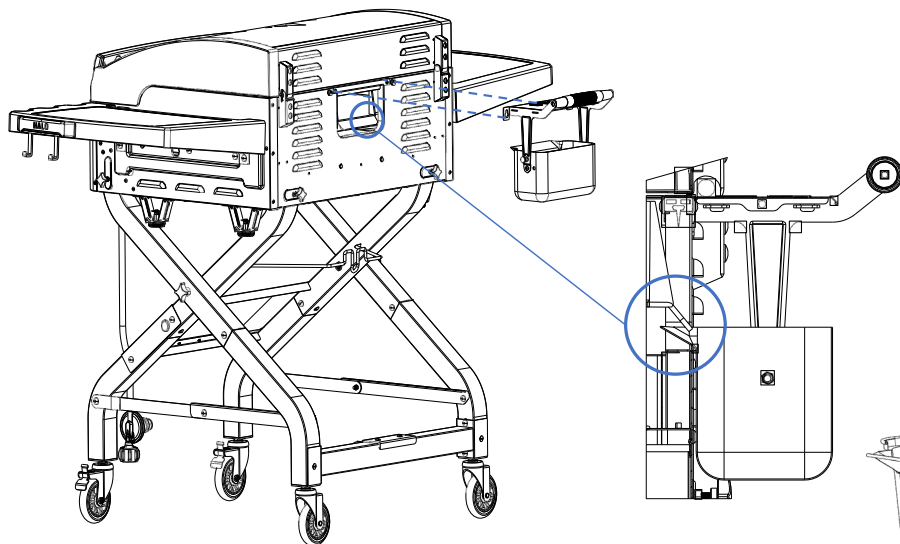
Para crear una chispa sólida, la DISTANCIA entre el electrodo y el quemador debe ser de 3/16"-1/4" (4.76-6.35mm). El electrodo no debe tocar el quemador ni estar demasiado alejado. Asegúrese de que la chispa va a un puerto en lugar de una chispa al azar al quemador.



# DEPÓSITO DE GRASA + NIVELACIÓN

## COLOCACIÓN DEL DEPÓSITO DE GRASA

Para evitar fugas de grasa, coloque el labio del depósito de grasa debajo del borde de goteo de la plancha al instalar el depósito de grasa. Compruebe el depósito de grasa con frecuencia y límpielo después de cada uso.

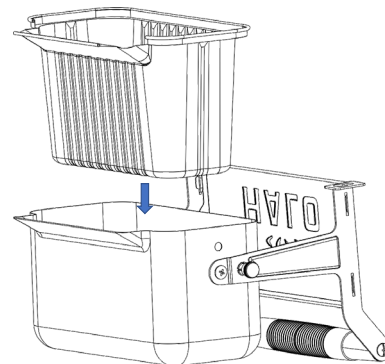
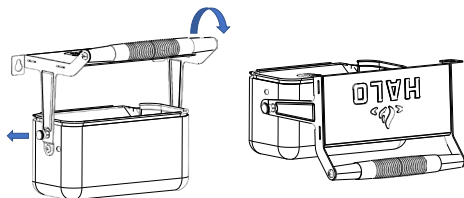


### ⚠ ADVERTENCIA

Asegúrese de que la plancha se ha enfriado antes de retirar el depósito de grasa.

## PLEGANDO EL ASA DEL DEPÓSITO DE GRASA

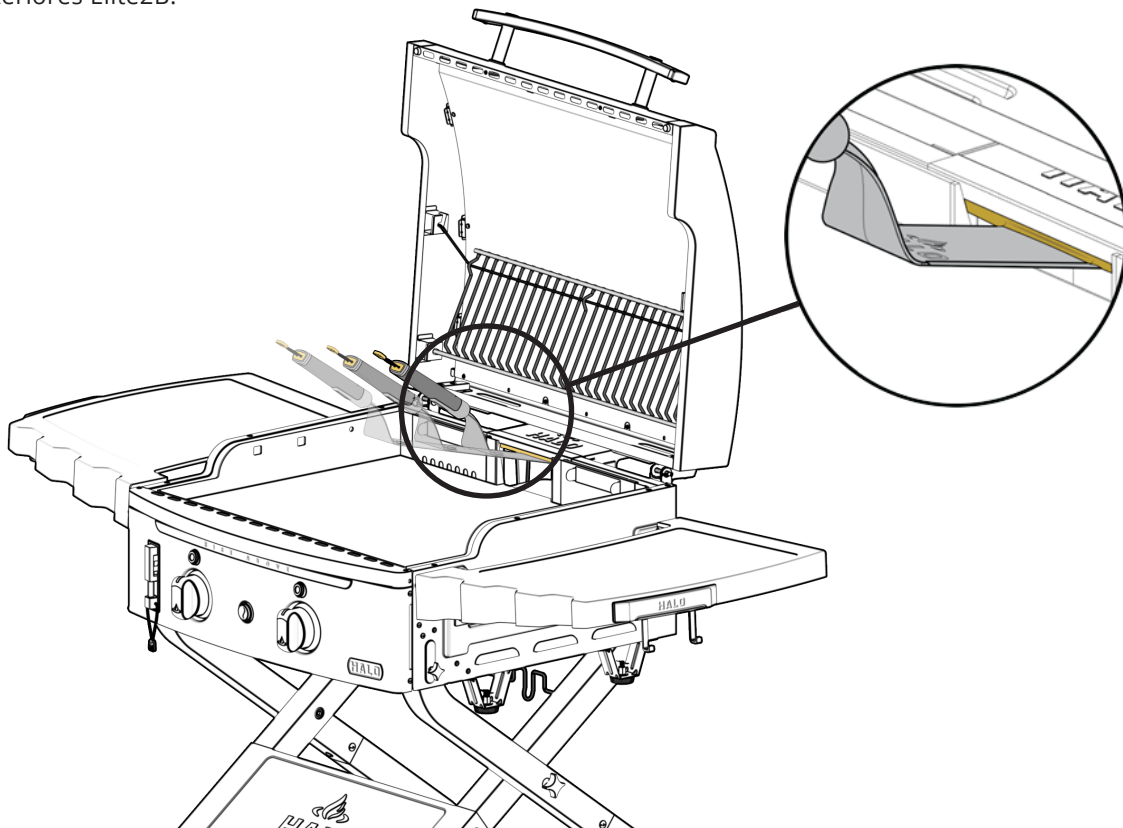
1. Perilla de resorte extraíble.
2. Gire la manivela hacia atrás para vaciar la grasa.



**NOTA:** Para facilitar la limpieza, adquiera los forros desechables para depósitos de grasa de Halo en [www.halo-pg.com](http://www.halo-pg.com).

# FUNCIÓN DE LIMPIEZA DE UTENSILIOS

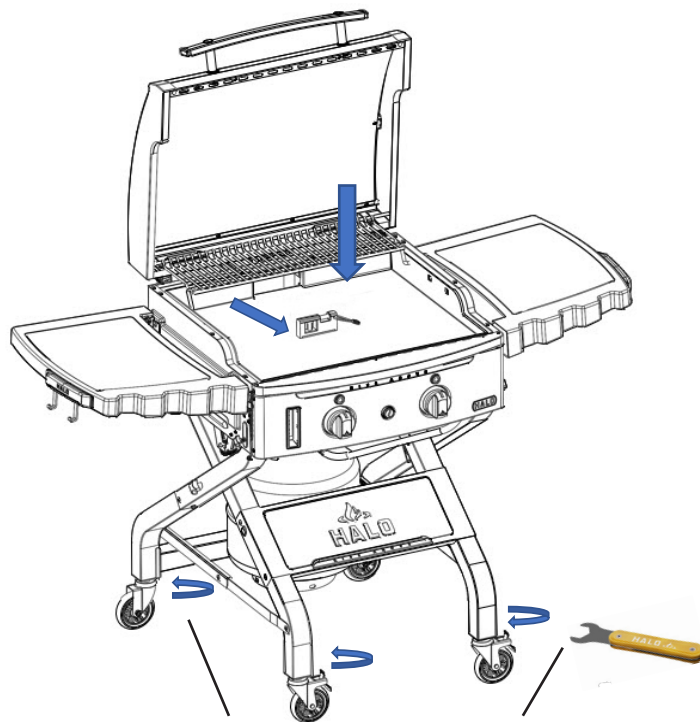
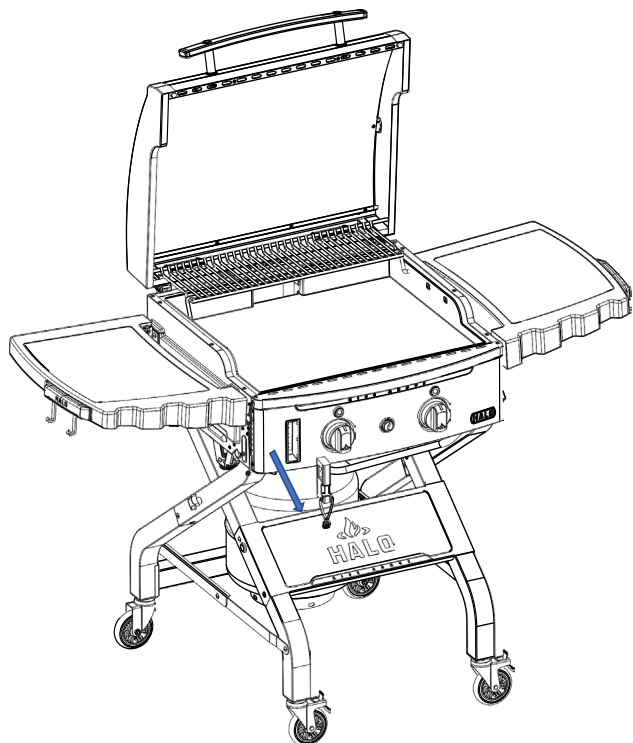
Limpe su espátula durante la cocción o la limpieza con la barra estacionaria de la escobilla de goma convenientemente ubicada sobre la abertura de drenaje de grasa en su Plancha de Exteriores Elite2B.



# FUNCIÓN DE NIVELACIÓN

**NOTA:** Antes de utilizar la unidad, nivélela cuando esté fría.

Hemos facilitado la nivelación de la superficie de cocción. Utilice el nivelador suministrado (situado en la parte frontal izquierda de la plancha) y la llave de ruedas M12 cuando ajuste las patas (ruedas) de la plancha antes de cocinar.



Gire en el sentido de las agujas del reloj para reducir la altura


Gire en el sentido contrario para aumentar la altura



# TRATAMIENTO DE SU PLANCHA

## TRATAMIENTO INICIAL DE LA PLANCHA

La idea simple de un tratamiento inicial es cubrir la plancha con aceite y luego calentar el aceite por encima de su punto de humo para polimerizar el aceite y crear un vínculo con la superficie de la plancha. Terminará con una superficie recubierta de color oscuro que es fácil de limpiar.

1. Precaliente la plancha durante 12 minutos en  ajuste DUAL ZONES con la tapa cerrada.
2. Aplique una pequeña cantidad de aceite en la superficie de la plancha y extiéndalo con un paño o una toalla de papel (utilice unas pinzas o una espátula metálica para sujetar el paño o la toalla de papel durante la aplicación). Asegúrese de aplicar una capa uniforme en toda la superficie de la plancha y las paredes interiores hasta que alcance su "punto de humo" y deje que siga calentando la superficie de la plancha hasta que deje de humear.
3. Repita este proceso (Paso 2) 4-5 veces. La superficie de la plancha empezará a ponerse negra y brillante.
4. Este procedimiento de tratamiento de la plancha le llevará 18-20 minutos.

### PRECAUCIÓN

**NO UTILICE JABÓN EN LA SUPERFICIE DE COCCIÓN DE LA PLANCHA.** Esto destruirá el tratamiento de la plancha.

### PELIGRO

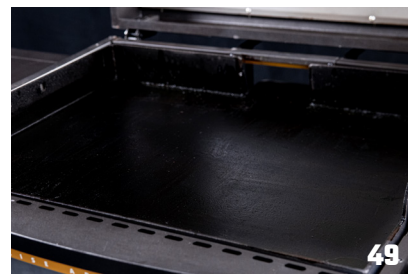
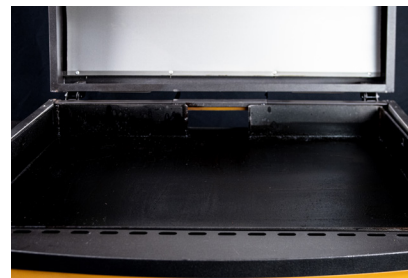
**NO** coloque artículos inflamables en los estantes laterales cerca de la plancha. Los contenedores de aerosol son especialmente peligrosos porque pueden sobrecalentarse y provocar una explosión, un incendio, lesiones personales graves o la muerte.

### ADVERTENCIA

- **NO** coloque toallas aceitosas o grasosas cerca de la unidad de la plancha, ya que pueden arder espontáneamente.
- **NUNCA APLIQUE AGUA FRÍA EN TODA LA SUPERFICIE DE UNA PLANCHA CALIENTE DE UNA SOLA VEZ.** Esto puede provocar deformación.
- **NO** deje la plancha desatendida mientras se precalienta o se queman los restos de comida. Si la plancha no se ha limpiado con regularidad, puede producirse un incendio por grasa que puede causar lesiones graves o daños materiales.

## CÓMO DEBE SER UNA PLANCHA BIEN TRATADA

Su plancha bien tratada debe ser de color negro brillante y tener una superficie de cocción antiadherente natural. Cuanto más cocine y trate su plancha, más oscura, resistente a pegarse y brillante se volverá.



# CUIDANDO TU ELITE2B

## USO + CUIDADO

- Limpie regularmente su Plancha de Exteriores HALO Elite2B entre cada uso y especialmente después de largos períodos de almacenamiento.
- Asegúrese de que la Plancha de Exteriores HALO Elite2B y sus componentes se han enfriado adecuadamente antes de limpiarla.
- No manipule nunca las piezas calientes con las manos desprotegidas.
- Recomendamos encarecidamente que se cubra la unidad para prolongar y mantener la vida útil y el estado de su Plancha de Exteriores HALO Elite2B. (La cubierta de la plancha Halo P/N HZ-5003 puede adquirirse en [www.halo-pg.com](http://www.halo-pg.com) una vez que esté disponible para su compra) cuando se deja en el exterior durante cualquier periodo de tiempo después de cada uso, especialmente durante los meses de invierno.
- Vacíe y limpie el depósito de grasa después de cada uso.

## ALMACENAMIENTO

- Se recomienda chequeo anual y el apretado de las conexiones y los accesorios antes del almacenamiento.
- Guarde su Plancha de Exteriores HALO Elite2B en un lugar fresco y seco.
- Recomendamos cubrir los quemadores con papel de aluminio para evitar que se acumulen insectos u otros residuos en los puertos de los quemadores.
- Si almacena su Plancha de Exteriores HALO Elite2B en el interior, la bombona de gas debe desconectarse y dejarse fuera.
- La bombona de gas debe guardarse siempre en el exterior y en un lugar seco y bien ventilado, fuera del alcance de los niños.

## PRIMERA VEZ QUE SE LIMPIA LA SUPERFICIE DE LA PLANCHA

Las planchas HALO están pretratadas con aceite de cocina para evitar la oxidación y los daños durante el transporte. Si se utiliza por primera vez, lave la plancha con agua caliente y jabón entre cada uso y, sobre todo, después de períodos prolongados de almacenamiento.

**ESTE ES EL ÚNICO MOMENTO EN EL QUE DEBE USAR JABÓN EN LA SUPERFICIE DE COCCIÓN DE LA PLANCHA.** Enjuague y seque completamente. Siga las instrucciones de tratamiento. (Consulte la sección Instrucciones de Tratamiento de la Plancha en la página 49).

## LIMPIEZA Y MANTENIMIENTO DE LA PLANCHA

**PASO 1** - Para limpiar la plancha después de cada uso, enfríe la plancha por debajo de los 300° F, raspe suavemente con una espátula o raspador de metal.

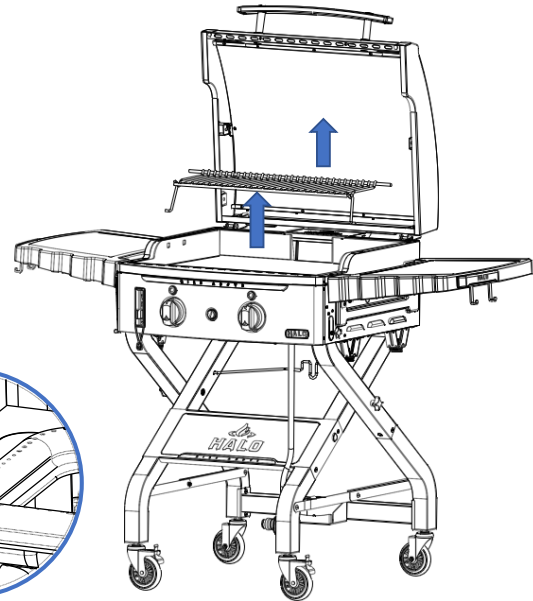
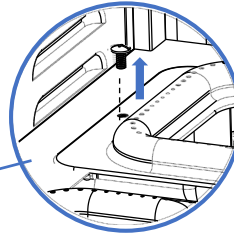
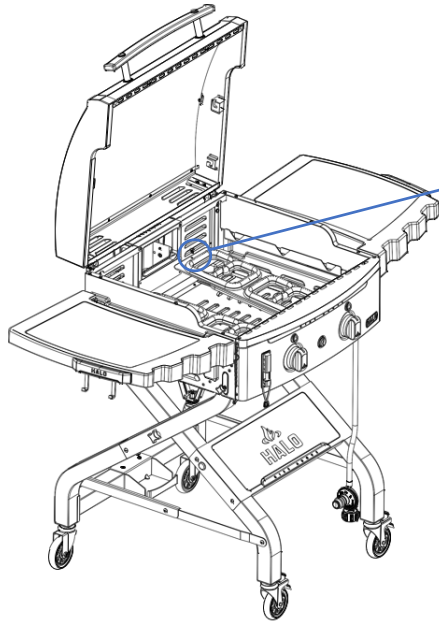
**PASO 2** - Limpie la superficie de la plancha con un paño o una toalla de papel. Vierta agua sobre la superficie de la plancha caliente para los restos de comida resistentes y deje que hierva para eliminar los residuos.

**PASO 3** - Debe aplicar una capa muy fina de aceite para mantener la unión de la plancha y protegerla de la oxidación después de que haya terminado de usarla.

**PASO 4** - Si hay óxido o descamación, frótelo con lana de acero y vuelva a tratar la superficie.

# CÓMO LIMPIAR LOS QUEMADORES

- 1** Apague el gas en las perillas de control y en el cilindro LP (no se muestra).
- 2** Retire la rejilla de calentamiento abatible y la placa de la plancha. Separe y retire con cuidado el quemador.





- 3** Pase un cepillo de botella estrecho por el venturi del quemador varias veces. (No utilice cepillos de alambre).

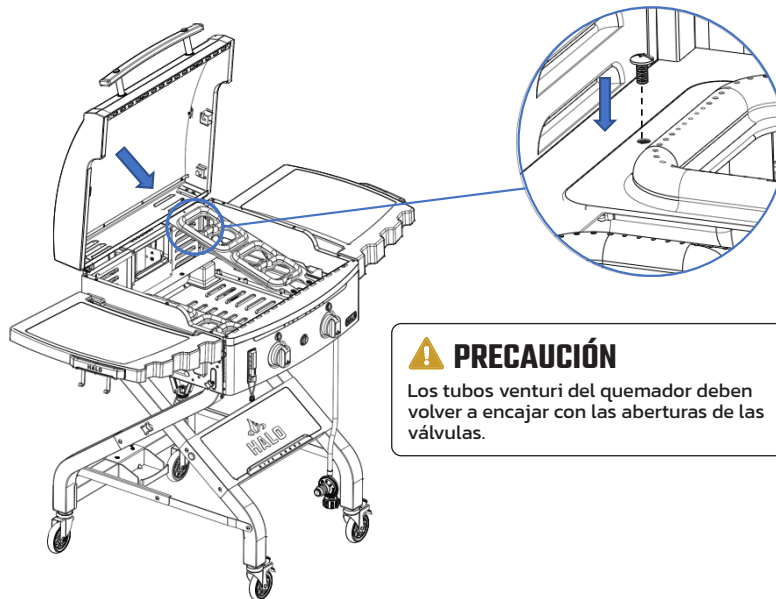
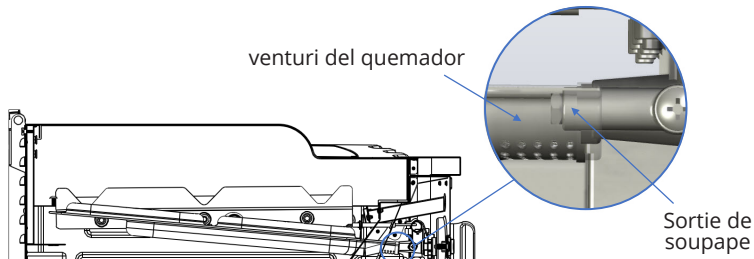


- 4** Cepille toda la superficie exterior del quemador para eliminar la suciedad y el óxido.



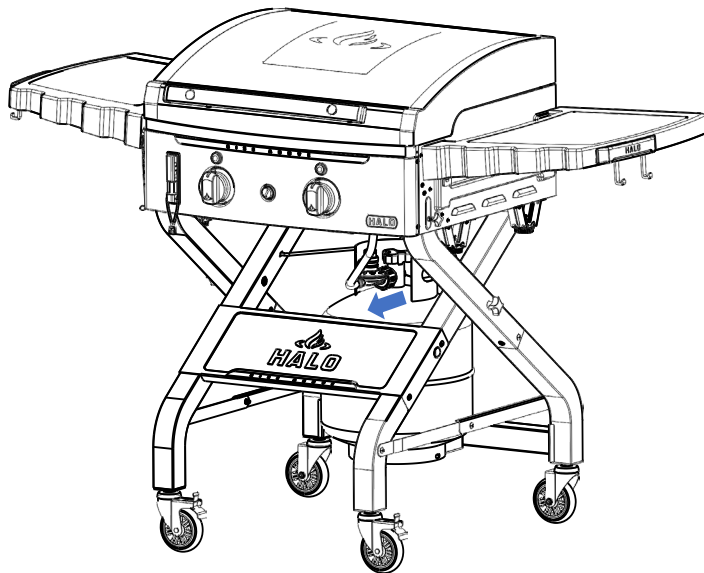
- 5** Limpie cualquier puerto bloqueado con un alambre rígido, como un clip abierto.

- 6** Vuelva a colocar cada quemador con cuidado y fíjelo con tornillos 3-M5 x 10.



**⚠ PRECAUCIÓN**  
Los tubos venturi del quemador deben volver a encajar con las aberturas de las válvulas.

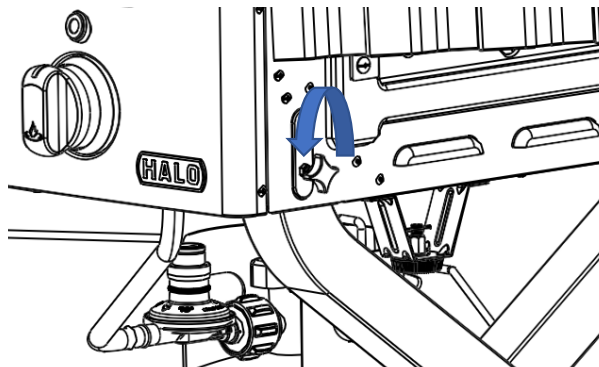
# CONVERTIR SU PLANCHA

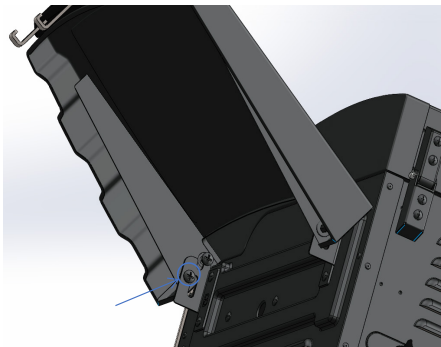


## CÓMO CONVERTIR SU PLANCHA DE COCINA DE PORTÁTIL A DE MESÓN

**1** Retire el conjunto de Manguera y Regulador del cilindro.

**2** Afloje las cuatro perillas de 1/4"-20 x 15 mm con eje roscado.

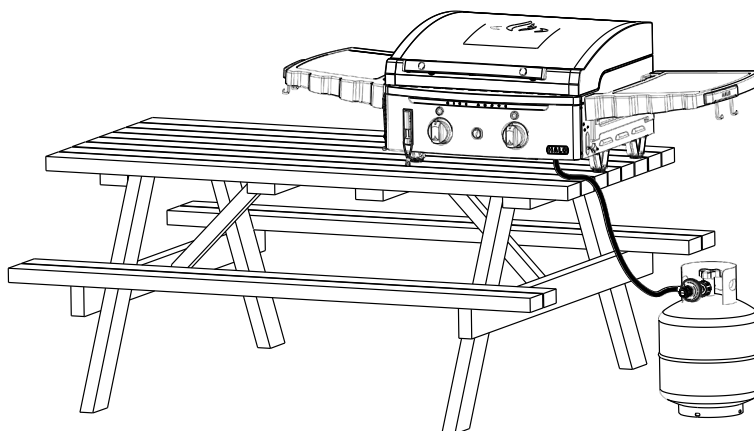
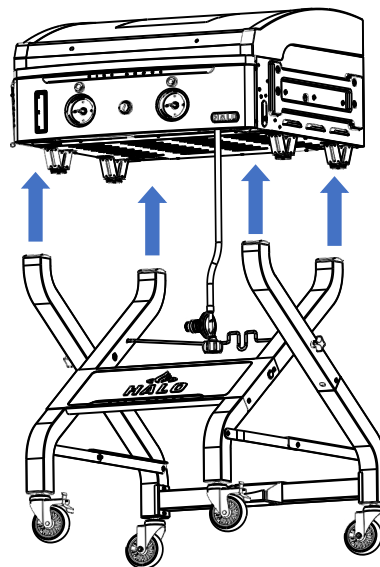




- 3** (Paso opcional) Las mesas laterales se pueden quitar quitando 4 tornillos de tope M6 x 7H.

- 5** Levante el Conjunto de la Cámara de Combustión del carro con la ayuda de un amigo.

- 4** Coloque el conjunto de la cámara de combustión en el banco o la mesa del parque con la ayuda de un amigo.



# SOLUCIÓN DE PROBLEMAS

## EL QUEMADOR NO SE ENCIENDE CON EL ENCENDIDO ELECTRÓNICO

### CAUSA POSIBLE:

- Regulador defectuoso
- Obstrucciones en los venturís del quemador
- Obstrucciones en la boquilla de gas o en la manguera de gas
- El electrodo está dañado/encendedor defectuoso
- Cilindro de LP vacío

### SOLUCIÓN:

- Compruebe el regulador o necesita ser reemplazado
- Limpie los venturís y el quemador con un cepillo de alambre redondo de tamaño pequeño
- Limpie la boquilla y la manguera de gas
- Cambie el conjunto de electrodos y el cable de encendido o cambie el módulo de encendido
- Sustituya por un nuevo cilindro LP

## EL QUEMADOR NO SE ENCIENDE CON UN FÓSFORO

### CAUSA POSIBLE:

- Regulador defectuoso
- Obstrucciones en el quemador
- Obstrucciones en la boquilla de gas o en la manguera de gas
- Cilindro de LP vacío

### SOLUCIÓN:

- Haga revisar o sustituir el regulador
- Limpie el quemador
- Limpie la boquilla y la manguera de gas
- Utilice un nuevo cilindro LP

## EL FUEGO EN EL TUBO DEL QUEMADOR TIENE UNA LLAMA BAJA O UN RETROCESO (PUEDE OÍRSE UN SILBIDO O UN RUGIDO).

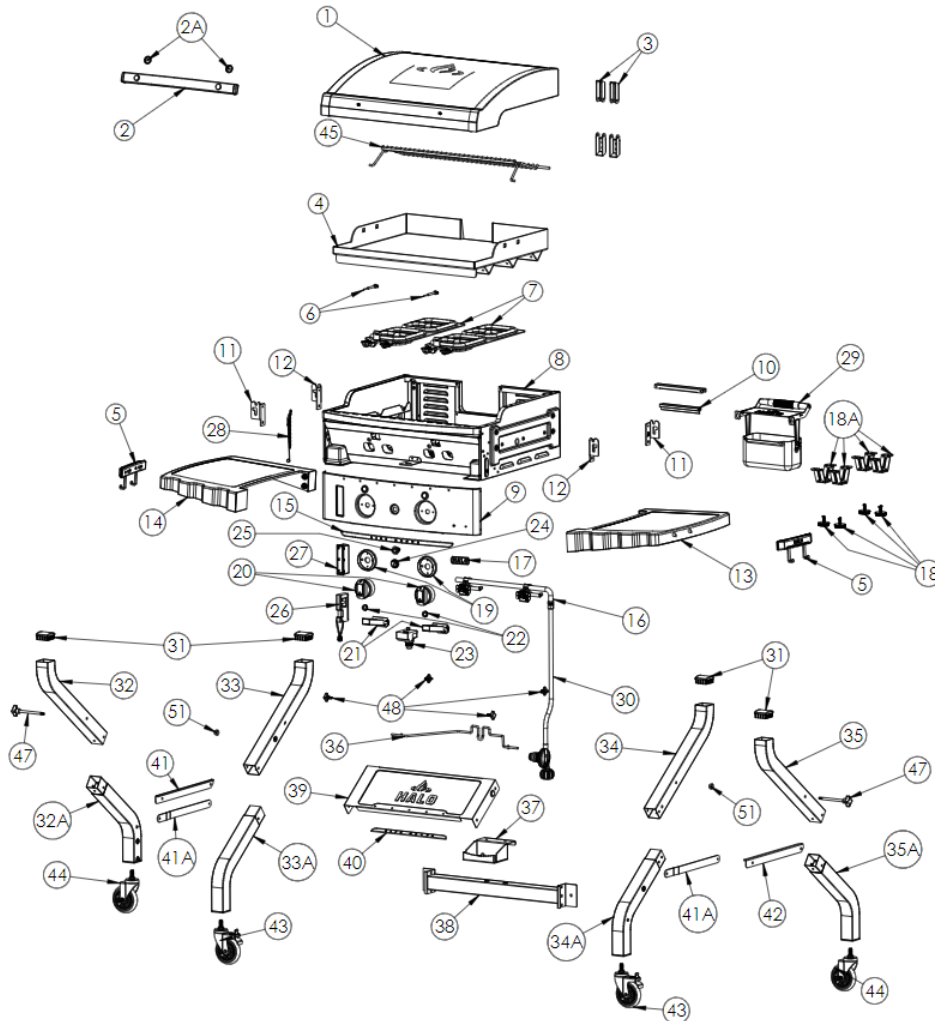
### CAUSA POSIBLE:

- Obstrucciones en el quemador
- Obstrucciones en la boquilla de gas o en la manguera de gas
- Condiciones de viento

### SOLUCIÓN:

- Limpie el quemador
- Limpie la boquilla
- Utilice su plancha en un lugar más protegido

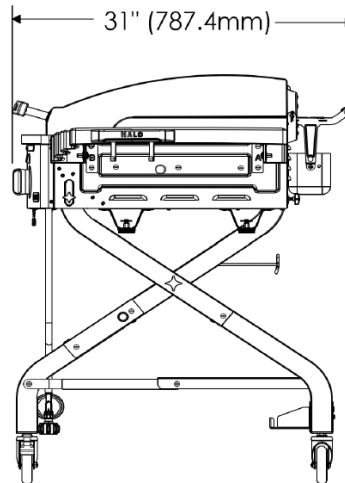
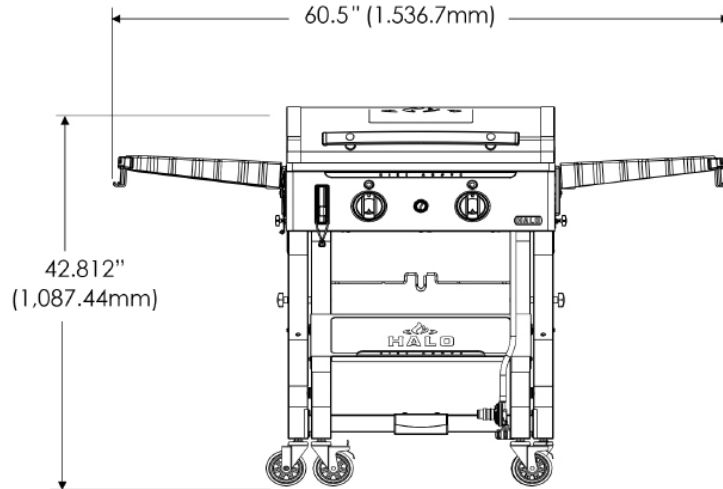
# LISTA DE PIEZAS ELITE2B





ARTÍCULO	DESCRIPCIÓN DE LA PIEZA	N° DE PIEZA	CANTIDAD	ARTÍCULO	DESCRIPCIÓN DE LA PIEZA	N° DE PIEZA	CANTIDAD
1	Montaje de la Tapa	HZ-1003-01	1	31	Tapa-Pata	HZ-1001-48	4
2	Conjunto de Asas de la Tapa	HS-1005-02	1	32	Pata Izquierda-Larga	HZ-1001-49	1
2A	Mango de la Tapa Separador-Bezel	HZ-1001-03	2	32A	Pierna Izquierda - Corta Externa	HZ-1001-50	1
3	Juego de Bisagras-Tapa (Inferior y Superior)	HZ-1001-04	2	33	Pierna Izquierda - Larga Interior	HZ-1001-51	1
4	Placa de la Plancha	HZ-1003-02	1	33A	Pierna Izquierda - Corta Interior	HZ-1001-52	1
5	Mango de gancho "JJ"-I y D	HZ-1001-06	2	34	Pierna Derecha - Larga Interna	HZ-1001-53	1
6	Conjunto de electrodos con cable de 58cm (22.83") de longitud	HZ-1001-07	2	34A	Pierna Derecha - Corta Interna	HZ-1001-54	1
7	Conjunto del Quemador	HZ-1001-08	2	35	Pierna Derecha - Larga Externa	HZ-1001-55	1
8	Cámara de Combustión	HZ-1003-03	1	35A	Pata Derecha-corta	HZ-1001-56	1
9	Panel de Control	HZ-1003-04	1	36	Alambre de Retención del Tanque	HZ-1002-10	1
10	Hoja de la Escobilla de Goma - Común	HZ-1007-4A	1	37	Soporte del Tanque	HZ-1001-32	1
11	Soporte-Lateral Mesa-A	HZ-1001-10	2	38	Tirante Trasero	HZ-1002-11	1
12	Soporte-Lateral Mesa B	HZ-1001-11	2	39	Panel frontal	HZ-1002-12	1
13	Mesa Auxiliar-Derecha	HZ-1001-12	1	40	Placa con el logotipo de RISE ABOVE	HZ-1004-39	1
14	Mesa Auxiliar-Izquierda	HZ-1001-13	1	41	Soporte de Pivote-A	HZ-1001-36	1
15	Pieza Decorativa RISE ABOVE	HZ-1004-39	1	41A	Soporte de Pivote-B	HZ-1001-37	2
16	Conjunto de Válvula y Colector	HZ-1003-05	1	42	Soporte de Pivote-C	HZ-1001-38	1
17	Placa con el Logotipo de HALO	HZ-1004-27	1	43	Ruedas con bloqueo	HO-1006-XNA-13	2
18	Pie Ajustable	HZ-1001-16	4	44	Ruedas-giratorias	HO-1006-XNA-12	2
18A	Soporte de Pie	HZ-1001-16A	4	45	Estantería de Calentamiento Abatible con Cable de Soporte	HZ-1002-13	1
19	Bisel-Perilla de Control-Común	HZ-1004-37	2		<b>BLISTER DE HARDWARE</b>	HZ-1001-39	1
20	Perilla de Control-Común	HZ-1004-38	2	46	Tornillo M6 x 14 mm	HZ-1001-40	42
21	Visor de quemador de tubo	HZ-1003-06	2	47	Perilla M6 x 93mm con eje roscado	HZ-1001-41	2
22	Lente de Cristal-Visor de Quemador	HZ-1001-17	2	48	Perilla de 1/4"-20 x 15 mm con eje roscado	HZ-1001-42	4
23	Módulo de Encendido Electrónico con 3 salidas	HZ-1004-32	1	49	Tornillo de Tope M6 x 3H	HZ-1001-43	4
24	Tapón de Silicona-Interruptor de Ignición	HZ-1004-36	1	50	Tornillo de Tope M6 x 7H	HZ-1001-44	8
25	Interruptor de Encendido	HZ-1004-35	1	51	Espaciador de Nylon	HZ-1001-45	2
26	Nivelador	HZ-1007-21	1	52	Llave M12	HZ-1001-46	1
27	Carcasa-Nivelador	HZ-1007-22	1				
28	Varilla para Encender Fósforos	HZ-1003-08	1				
29	Depósito de Grasa con Tapa	HZ-1001-21	1				
30	Regulador ajustable con Manguera Trenzada	HZ-1001-22	1				

# DIMENSIONES ENSAMBLADO



# GARANTÍA LIMITADA DE CINCO (5) AÑOS

Esta garantía sólo aplica a los productos adquiridos en un distribuidor autorizado después de utilizar **REGISTRAR MI HALO** a través de los códigos QR o en **halo-pg.com** para registrar un nuevo producto. El registro debe realizarse dentro de los 30 días siguientes a la compra al Fabricante para poder beneficiarse de esta garantía. En virtud de esta garantía, el Fabricante garantiza expresamente lo siguiente:

El fabricante garantiza únicamente al consumidor-comprador original que este producto estará libre de defectos de mano de obra y materiales después de un montaje correcto y bajo un uso doméstico normal y razonable durante los períodos indicados a continuación a partir de la fecha de compra.

ALCANCE DE LA COBERTURA	PERÍODO DE COBERTURA	COBERTURA POR TIPO DE FALLA
HALO ofrece una garantía contra defectos y mano de obra en todas las piezas y componentes que no están cubiertos a continuación	5 Años	SÓLO DEFECTOS DE PERFORACIÓN, FABRICACIÓN Y MATERIALES
Componentes Eléctricos	1 Año	
Pintura	1 Año	

El fabricante se reserva el derecho de exigir que las piezas defectuosas sean devueltas, con franqueos pagados por el consumidor para su revisión y examen.

Conserve una copia del comprobante de compra para validar su garantía. Es posible que se le pida que envíe una copia de su recibo para confirmar cualquier solicitud de garantía.

El consumidor-comprador original será responsable de todos los gastos de envío de las piezas sustituidas bajo los términos de esta garantía limitada. Esta garantía limitada es aplicable únicamente en Estados Unidos y Canadá, sólo está disponible para el propietario original del producto y no es transferible. El fabricante requiere una prueba de la fecha de compra. Por lo tanto, debe conservar el comprobante de venta o la factura. El registro de su producto no sustituye a la prueba de compra y el fabricante no es responsable ni está obligado a conservar los registros de prueba de compra. Esta garantía limitada aplica SÓLO a la funcionalidad del producto y no cubre problemas estéticos como arañazos, abolladuras, corrosiones o decoloración por el calor, limpiadores abrasivos y químicos o cualquier herramienta utilizada en el montaje o instalación del aparato, óxido en la superficie o decoloración de las superficies de acero inoxidable. La pintura no está incluida en la garantía y requerirá retoques. El ÓXIDO no se considera un defecto de fabricación o de los materiales.

**Esta garantía limitada no le reembolsará el costo de cualquier inconveniente, comida, lesión personal o daño a la propiedad.**

# GARANTÍA LIMITADA DE CINCO (5) AÑOS

## ARTÍCULOS QUE EL FABRICANTE NO PAGARÁ

1. Gastos de envío, estándar o expedito, para la garantía y las piezas de recambio.
2. Llamadas de servicio a domicilio.
3. Reparaciones cuando su producto se utiliza para un uso distinto al normal, doméstico o residencial.
4. Los daños, fallos o dificultades de funcionamiento resultantes de accidentes, alteraciones, manipulación o funcionamiento descuidado o negligente, uso por parte de menores, uso indebido, abuso, incendio, inundación, instalación o mantenimiento inadecuados, instalación no conforme a los códigos eléctricos o de plomería, o uso de productos no aprobados por el fabricante, o uso de productos no permitidos por las leyes, reglamentos y códigos federales, estatales o locales.
5. Cualquier pérdida de alimentos debida a fallos del producto o a dificultades de funcionamiento.
6. Los costos de las piezas de repuesto o mano de obra de reparación de las unidades que se utilizan fuera de los Estados Unidos o Canadá.
7. Recogida y entrega de su producto.
8. Reparaciones a piezas o sistemas resultantes de modificaciones no autorizadas realizadas en el producto.
9. La recogida y/o reinstalación de su producto.

## Renuncia a las Garantías Implícitas y Limitación de los Recursos

La reparación o la sustitución de las piezas defectuosas es el único recurso que le corresponde según los términos de esta garantía limitada. En caso de que haya problemas de disponibilidad de piezas, el fabricante se reserva el derecho de sustituirlas por otras iguales o similares que sean igualmente funcionales. El fabricante no será responsable de ningún daño consecuente o incidental que surja del incumplimiento de esta garantía limitada o de cualquier garantía implícita aplicable, o por fallos o daños resultantes de actos fortuitos, cuidado y mantenimiento inadecuados, incendio por grasa, accidente, alteración, sustitución de piezas por cualquier persona que no sea el fabricante, uso indebido, transporte, uso comercial, abuso, entornos hostiles (inclemencias del tiempo, actos de la naturaleza, manipulación por parte de animales), instalación inadecuada o instalación que no esté de acuerdo con los códigos locales o las instrucciones impresas del fabricante.

**5 YEAR**  
LIMITED  
**WARRANTY**

**ESTA GARANTÍA LIMITADA ES LA ÚNICA GARANTÍA EXPRESA OFRECIDA POR EL FABRICANTE. NINGUNA ESPECIFICACIÓN O DESCRIPCIÓN DEL RENDIMIENTO DEL PRODUCTO, DONDEQUIERA QUE APAREZCA, ESTÁ GARANTIZADA POR EL FABRICANTE, EXCEPTO EN LA MEDIDA ESTABLECIDA EN ESTA GARANTÍA LIMITADA. CUALQUIER PROTECCIÓN DE GARANTÍA IMPLÍCITA QUE SURJA BAJO LAS LEYES DE CUALQUIER ESTADO, INCLUYENDO LA GARANTÍA IMPLÍCITA DE COMERCIABILIDAD O IDONEIDAD PARA UN PROPÓSITO O USO PARTICULAR, SE LIMITA POR LA PRESENTE LIMITADA A LA DURACIÓN Y EL ALCANCE ESTABLECIDOS EN ESTA GARANTÍA LIMITADA.**

La responsabilidad máxima del fabricante, en cualquier caso, no superará el precio de compra del producto pagado por el consumidor original. NOTA: Algunos estados no permiten la exclusión o limitación de los daños incidentales o consecuentes, por lo que algunas de las limitaciones o exclusiones anteriores pueden no aplicarse en su caso. Esta garantía limitada le otorga los derechos legales específicos que se establecen en el presente documento. También puede tener otros derechos que varían de un estado a otro. Para las compras hechas sólo en el estado de California, si el reacondicionamiento o la sustitución del producto no son comercialmente viables, el minorista de California que vende este producto reembolsará el precio de compra pagado por el producto, menos la cantidad directamente atribuible al uso por parte del consumidor-comprador original antes de descubrir la no conformidad. Además, sólo en el estado de California, puede llevar el producto al establecimiento de venta de este producto para obtener el cumplimiento de esta garantía limitada. Si desea exigir el cumplimiento de cualquier obligación en virtud de esta garantía limitada del Fabricante, debe escribir a:

**Halo Products Group LLC 850 West Park Rd Elizabethtown KY, 42701**

No se aceptarán devoluciones de consumidores a menos que se adquiriera primero una Autorización de Devolución válida del Fabricante. Las devoluciones autorizadas se marcarán claramente en el exterior del paquete con un número RA y el paquete se envía con franqueo pre-pagado. Las devoluciones de los consumidores que no cumplan estas normas serán rechazadas.

## **SERVICIO AL CONSUMIDOR**

Si tiene preguntas sobre su producto, o si necesita piezas de repuesto, póngase en contacto con nosotros:

**Llamada gratuita:** 1-833-572-1688 o

Visítenos en línea en [www.halo-pg.com](http://www.halo-pg.com)

# MANUEL DU PROPRIÉTAIRE

## MODÈLE N°: HZ-1003-XNA



**⚠ AVERTISSEMENT**  
"Respectez tous les avertissements et toutes les instructions lorsque vous utilisez l'appareil".

**⚠ AVERTISSEMENT**  
Le fabricant s'est efforcé d'éliminer toute arête vive. Cependant, vous devez manipuler tous les composants avec précaution pour éviter toute blessure accidentelle.

**⚠ AVERTISSEMENT**

- La consommation d'alcool, de médicaments sur ordonnance ou en vente libre peut altérer la capacité du consommateur à assembler correctement ou à utiliser l'appareil en toute sécurité.
- Lorsque vous cuisinez avec de l'huile ou de la graisse, ayez à portée de main un extincteur de type BC ou ABC.
- En cas de feu d'huile ou de graisse, n'essayez pas de l'éteindre avec de l'eau. Appelez immédiatement les pompiers. Un extincteur de type BC ou ABC peut, dans certaines circonstances, contenir le feu.
- Cet appareil n'est pas conçu pour et ne doit jamais être utilisé comme un appareil de chauffage.
- Cet appareil sera chaud pendant et après son utilisation. Utilisez des gants ou des gants de cuisine isolants pour vous protéger des surfaces chaudes ou des éclaboussures de liquides de cuisson.
- **Ne conservez pas de bouteille de gaz de pétrole liquéfié de rechange sous ou à proximité de cet appareil.**
- **Ne remplissez jamais la bouteille à plus de 80 %** ; et si les instructions en **gras ci-dessus** ne sont pas suivies à la lettre, un incendie causant la mort ou des blessures graves peut se produire.
- Le réservoir de gaz de pétrole liquéfié utilisé doit avoir un collier pour protéger la valve du réservoir.

**⚠ AVERTISSEMENT**  
Ce manuel d'instructions contient des informations importantes nécessaires au montage correct et à l'utilisation sûre de l'appareil.

**⚠ AVERTISSEMENT**

- "POUR USAGE EXTÉRIEUR UNIQUEMENT".
- "LISEZ TOUTES LES INSTRUCTIONS AVANT D'INSTALLER ET D'UTILISER L'APPAREIL."
- "ENREGISTREZ CES INSTRUCTIONS."

**⚠ AVERTISSEMENT**  
N'essayez pas d'allumer cet appareil sans avoir lu la section Instructions d'allumage de ce manuel.

**⚠ AVERTISSEMENT**  
Distance minimale entre les côtés et l'arrière de l'appareil et les murs ou les garde-corps: 914,4 mm (36 po)". Ne pas utiliser sous une construction suspendue.

**⚠ AVERTISSEMENT**  
Lorsque vous utilisez une allumette pour allumer l'appareil, assurez-vous d'utiliser le bâton d'allumage inclus ou une longue allumette de 11 pouces.

Halo Products Group LLC  
850 West Park Rd Elizabethtown KY, 42701  
Toll free: 1-833-572-1688

Enregistrement du produit  
Guide du propriétaire en ligne  
Vidéos d'assemblage

RECHERCHE



# D'INFORMATIONS IMPORTANTES EN MATIÈRE DE SÉCURITÉ

## DANGER

Si vous sentez une odeur de gaz :

- Fermez le gaz de l'appareil.
- Éteignez toute flamme nue.
- Ouvrez le couvercle.
- Si l'odeur persiste, éloignez-vous de l'appareil et appelez immédiatement les pompiers.

Le non-respect des Dangers, des Avertissements et des Mises en garde contenus dans ce Manuel du propriétaire peut entraîner des blessures corporelles graves ou la mort.

## AVERTISSEMENT

**POUR UTILISATION EXTERIEURE UNIQUEMENT** et ne doit pas être utilisé dans un bâtiment, un garage ou tout autre endroit fermé.

## AVERTISSEMENT

Maintenez le cordon d'alimentation électrique et le tuyau d'alimentation en carburant à l'écart de toute surface chauffée.

## AVERTISSEMENT

Ne laissez pas l'appareil sans surveillance. Tenez les enfants et les animaux domestiques éloignés de l'appareil à tout moment.

## AVERTISSEMENT

**PROPOSITION 65 DE LA CALIFORNIE**  
Ce produit peut vous exposer à des produits chimiques, y compris le monoxyde de carbone, qui sont connus dans l'État de Californie pour causer le cancer et des anomalies congénitales ou d'autres problèmes de reproduction. Pour plus d'informations, consultez le site [www.P65Warnings.ca.gov](http://www.P65Warnings.ca.gov)

## DANGER

- Ne faites jamais fonctionner cet appareil sans surveillance.
- Ne faites jamais fonctionner cet appareil à moins de 3,0 m (10') d'une structure, d'un matériau combustible ou d'une autre bouteille de gaz.
- Ne faites jamais fonctionner cet appareil à moins de 25' (7,5 m) d'un liquide inflammable.
- En cas d'incendie, éloignez-vous de l'appareil et appelez immédiatement les pompiers. N'essayez pas d'éteindre un feu causé par l'huile ou de la graisse avec de l'eau.

Le non-respect de ces instructions peut entraîner un incendie, une explosion ou un risque de brûlure pouvant causer des dommages matériels, des blessures ou la mort.

## AVERTISSEMENT

Les araignées et les insectes peuvent se nicher à l'intérieur du brûleur de l'appareil et perturber l'écoulement du gaz. Inspectez le brûleur au moins une fois par an.

## AVERTISSEMENT

- "Lisez et suivez tous les avertissements et instructions avant d'assembler et d'utiliser l'appareil."
- "Suivez tous les avertissements et toutes les instructions lorsque vous utilisez l'appareil."
- "Conservez ce manuel pour toute référence future."
- "Maintenez le tuyau d'alimentation en carburant à l'écart de toute surface chauffée."

## AVERTISSEMENT

Vérifiez l'étanchéité de tous les raccords d'alimentation en gaz avant chaque utilisation. N'utilisez pas l'appareil tant que toutes les connexions n'ont pas été vérifiées et ne présentent pas de fuite.

## AVERTISSEMENT

En cas de pluie, de neige, de grêle, de grésil ou d'autres formes de précipitations pendant la cuisson à l'huile ou à la graisse, couvrez immédiatement le récipient de cuisson et éteignez les brûleurs de l'appareil et l'alimentation en gaz. N'essayez pas de déplacer l'appareil ou le récipient de cuisson.

## AVERTISSEMENT

Placez un bouchon anti-poussière sur la sortie du robinet de la bouteille lorsque celle-ci n'est pas utilisée. N'installez sur la sortie du robinet de la bouteille que le type de bouchon anti-poussière fourni avec le robinet du cylindre. D'autres types de capuchons ou de bouchons peuvent entraîner des fuites de propane.

## AVERTISSEMENT

Cet appareil n'est pas destiné à un usage commercial.

## INSTALLATION DES PROTECTIONS DE SÉCURITÉ

- Utilisez votre gril d'extérieur HALO Elite2B tel qu'il a été acheté.
- L'installation de le Gril extérieur HALO Elite2B doit être conforme aux codes locaux ou, en l'absence de codes locaux, au National Fuel Gas Code, ANSI Z223.1/ NFPA 54, au Natural Gas and Propane Installation Code, CSA B149.1, ou au Propane Storage and Handling Code, B149.2, ou à la Standard for Recreational Vehicles, ANSI A 119.2/NFPA 1192, et CSA Z240 RV Series, Recreational Vehicle Code, selon le cas.
- Le gril d'extérieur HALO Elite2B ne doit pas être utilisé dans ou sur des véhicules de loisirs et/ou des bateaux.
- Le Gril Extérieur HALO Elite2B est certifié pour une utilisation aux Etats-Unis uniquement. Ne pas modifier pour une utilisation dans d'autres pays. Toute modification entraînera un risque pour la sécurité.
- Veuillez à utiliser le régulateur de pression fourni avec l'appareil. Le régulateur de pression de rechange P/N #HZ-1001-22, pour une bouteille de 20 lb, doit être utilisé avec l'appareil.
- Placez le bouchon anti-poussière sur la sortie du robinet de le cylindre lorsque celui-ci n'est pas utilisé. N'installez sur la sortie du robinet de la bouteille que le type de bouchon anti-poussière fourni avec le robinet du cylindre. D'autres types de capuchons ou de bouchons peuvent entraîner des fuites de propane.

## MAINTENANCE DE SÉCURITÉ

- Gardez la zone de l'appareil dégagée et exempte de matériaux combustibles, d'essence et d'autres vapeurs et liquides inflammables.
- N'obstruez pas le flux de combustion et de ventilation.
- Maintenez l'ouverture de ventilation du cylindre libre et dégagée de tout débris.
- Vérifiez visuellement les flammes du brûleur.
- Nettoyez l'appareil, y compris les surfaces spéciales, avec les produits de nettoyage recommandés, si nécessaire.
- Vérifiez et nettoyez le brûleur/le tube venturi pour détecter les insectes et les nids d'insectes. Un tube bouché peut entraîner un incendie sous l'appareil.

## UTILISATION ET ENTRETIEN

Éteignez votre gril d'extérieur HALO Elite2B lorsqu'il n'est pas utilisé.

- Ne déplacez jamais le gril d'extérieur HALO Elite2B lorsqu'il est en marche ou encore chaud.
  - Utilisez des ustensiles de barbecue à long manche et des gants de cuisine pour éviter les brûlures et les éclaboussures de graisse.
- 64** • Maintenez l'appareil à une distance minimale de 36" des murs, bâtiments, véhicules ou autres structures pendant son utilisation.



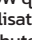
- Nettoyez votre gril d'extérieur HALO Elite2B après chaque cuisson.
- Coupez l'alimentation en gaz si vous remarquez que de la graisse coule sur la vanne ou le régulateur. Déterminez la cause, corrigez-la, puis nettoyez et vérifiez la valve, le tuyau et le régulateur avant de continuer à utiliser votre gril d'extérieur HALO Elite2B.
- Maintenez les ouvertures de ventilation du boîtier de la bouteille libres et exemptes de débris.
- Le régulateur peut émettre un bourdonnement ou un sifflement pendant son fonctionnement. Cela n'affectera pas la sécurité ou l'utilisation de votre gril d'extérieur HALO Elite2B.
- Éteignez immédiatement votre gril d'extérieur HALO Elite2B si le régulateur gèle. Ceci signale un problème avec la bouteille LP, et elle ne doit pas être utilisée sur quelque produit que ce soit. Retour au fournisseur.
- Veuillez appeler le service à la clientèle au 1-833-572-1688 si vous avez un problème avec votre gril d'extérieur HALO Elite3B et consultez la section Dépannage à la page 81.

## ÉTAT DE LA VANNE DE CONTRÔLE

### IMPORTANT:

- Pour vérifier la valve, poussez d'abord le bouton de commande, puis relâchez-le. Le bouton de commande doit revenir en arrière. Si le bouton de commande ne revient pas en arrière, remplacez l'ensemble de la valve avant d'utiliser votre gril d'extérieur HALO Elite2B.
- Poussez et tournez le bouton de commande dans le sens inverse des aiguilles d'une montre jusqu'à la position LOW, puis remettez-le sur la position OFF. La valve doit tourner sans à-coups.

## VERIFICATION DE LA FLAMME DU BRÛLEUR

Tournez le bouton de commande sur  pour allumer le brûleur. Appuyez sur le bouton d'allumage électronique pendant 2 à 3 secondes. Vous entendrez un dé clic, puis tournez sur  pour allumer les deux zones de brûleurs. Tournez le bouton de HIGH  à LOW. Vous devriez voir une flamme plus petite sur la position LOW que sur la position HIGH. Vérifiez toujours la flamme avant chaque utilisation. Si seule la flamme BASSE est visible, reportez-vous à la section "Chute soudaine ou flamme basse" de la section Dépannage, page 81.

## NETTOYAGE GÉNÉRAL

- **Pièces en plastique** : N'utilisez pas de cortisol, de nettoyeurs abrasifs, de dégraissants ou de nettoyant concentré pour four sur les pièces en plastique qui pourraient être endommagées. Lavez à l'eau chaude savonneuse et essuyez.
- **Surfaces peintes** : Lavez avec un détergent doux ou un nettoyant non abrasif et de l'eau chaude savonneuse. Essayez-le avec un chiffon doux non abrasif. N'utilisez pas de tampon abrasif sur les zones comportant des



graphiques. Les dépôts de graisse ou la graisse cuite peuvent nécessiter l'utilisation d'un tampon de nettoyage en plastique non abrasif. N'appliquez pas de nettoyant pour four corrosif sur les surfaces peintes.

**Conseils de nettoyage pour l'acier inoxydable :**

**Étape 1:** Trempez un chiffon doux dans de l'eau chaude mélangée à un détergent à vaisselle doux. Essuyez la surface, rincez le chiffon et essuyez de nouveau, puis séchez avec une serviette pour éviter les taches d'eau.

**Étape 2:** Si vous voyez encore des traces de doigts, vaporisez un nettoyant pour vitres sur un chiffon doux et essuyez les traces de doigts.

**Étape 3:** Pour éliminer les aliments et la graisse qui ont cuit, faites une pâte de bicarbonate de soude et d'eau chaude. Frottez doucement sur la surface à l'aide d'un chiffon doux ou d'une éponge. Essuyez avec un chiffon propre et humide et séchez avec une serviette. Pour les rayures et les taches, utilisez un nettoyant pour acier inoxydable et appliquez-le sur la zone concernée en suivant les instructions. Rincez avec un chiffon propre et humide, puis séchez.

## CE QUE VOUS DEVEZ SAVOIR SUR LA SÉCURITÉ ALIMENTAIRE

**Conseils de sécurité pour le stockage des aliments :**

- Comprendre quels sont les aliments "à risque".
- Conservez toujours les aliments à haut risque à la bonne température.
- Conservez les aliments crus, comme la viande crue, les fruits de mer et les légumes, sous les aliments cuits dans le réfrigérateur ou le congélateur.
- Conservez les aliments dans des récipients en verre ou en plastique correctement couverts.
- Évitez de recongeler des aliments déjà décongelés.

## ALIMENTATION ET SÉCURITÉ DU GRIL

- 1. LAVEZ-VOUS LES MAINS** - Lavez vos mains à l'eau chaude et au savon pendant au moins 15 à 20 secondes avant et après avoir manipulé des aliments.
- 2. SÉPAREZ LES ALIMENTS CRUS ET LES ALIMENTS PRÊTS À CONSOMMER/CUITS**
  - Veillez à ce que les aliments crus soient toujours conservés au réfrigérateur et à l'écart des aliments prêts à consommer/ cuits. Les aliments qui marinent doivent également être conservés couverts dans le réfrigérateur.
  - Les aliments prêts à consommer (tels que les salades, les légumes, les sauces) et les aliments cuits ne doivent jamais entrer en contact avec des aliments crus, car cela entraîne la contamination des aliments cuits par des bactéries nocives.
  - Veillez à toujours utiliser des planches à découper/ustensiles séparés pour les aliments crus et cuits, et lavez-vous toujours les mains après avoir manipulé des aliments crus.

**3. CUIRE LES ALIMENTS COMPLÈTEMENT**

- L'intoxication alimentaire est causée par des bactéries nocives, telles que E-Coli et Salmonella, qui sont tuées par la cuisson. Afin de garantir la sécurité alimentaire, il est essentiel de bien cuire les aliments.
  - Incisez la partie la plus épaisse de la viande à l'aide d'une fourchette et d'un couteau bien aiguisé pour vérifier si elle est cuite. Si la couleur de la viande au centre est encore rose, elle devra cuire plus longtemps.
  - Les burgers doivent toujours être bien cuits et ne jamais être servis rosés.
  - Les thermomètres alimentaires sont disponibles dans la plupart des supermarchés. Ils permettent de savoir facilement si la viande est cuite en la sondant à 165 degrés Fahrenheit ou 74 degrés Celsius. Il s'agit d'un outil pratique à avoir dans votre cuisine.
- 4. SERVIR LES ALIMENTS IMMÉDIATEMENT APRÈS LA CUISSON** - Laissez les aliments cuits à température ambiante permet aux bactéries nocives de se développer. Une fois que les aliments sont cuits, servez-les immédiatement. Dans le cas contraire, vous devrez refroidir rapidement les aliments cuits, les réfrigérer et les consommer dans les deux jours.
  - 5. GARDEZ TOUJOURS LES ALIMENTS COUVERTS** - Gardez toujours les aliments couverts pour vous assurer que les mouches ne contaminent pas vos aliments.

## COMMENT VÉRIFIER SI LA VIANDE EST CUIE SUR LA PLAQUE DE CUISSON ?

- Utilisez un thermomètre à viande pour vous assurer que les aliments ont atteint une température interne sûre.
- La volaille entière doit atteindre 165° F/ 73,8 °C pour la viande brune, 160° F/ 71 °C pour la viande blanche.
- Les hamburgers constitués de viande hachée ou de volaille doivent atteindre 160° F/71°C et être bruns au centre, sans jus rose. Les steaks, rôtis et côtelettes de bœuf, de veau et d'agneau peuvent être cuits à 145° F/63°C. Tous les morceaux de porc doivent atteindre 160° F/71°C.

Ne faites **JAMAIS** griller partiellement la viande ou la volaille pour en terminer la cuisson plus tard. Faites cuire complètement les aliments pour détruire les bactéries nocives.

# FICHE PRODUIT

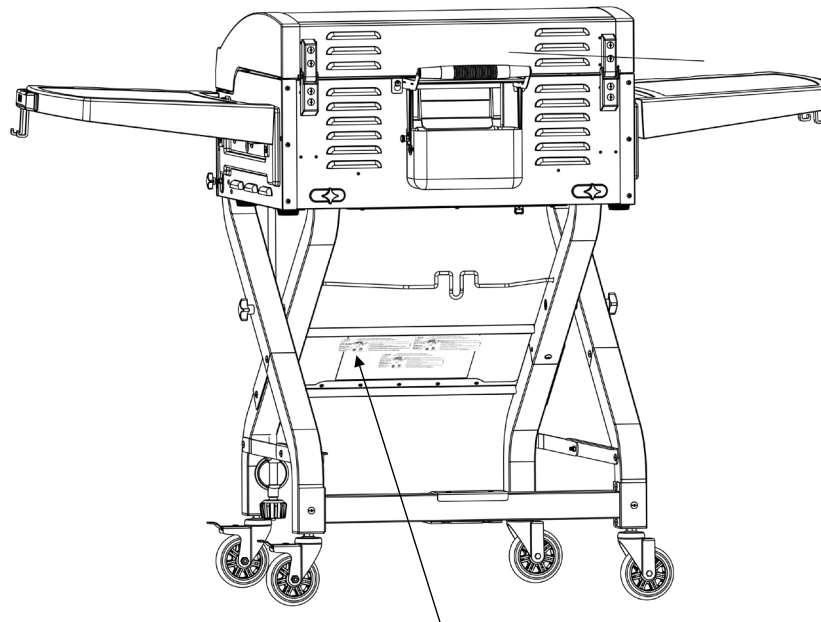
**IMPORTANT:** Remplissez les informations relatives à l'enregistrement du produit ci-dessous, pour enregistrer votre produit, visitez notre site web à l'adresse [www.halo-pg.com](http://www.halo-pg.com).



Numéro de Modèle: \_\_\_\_\_

Numéro de Série: \_\_\_\_\_

Date d'achat: \_\_\_\_\_



# CONNEXION 20 LBS. RÉSERVOIR

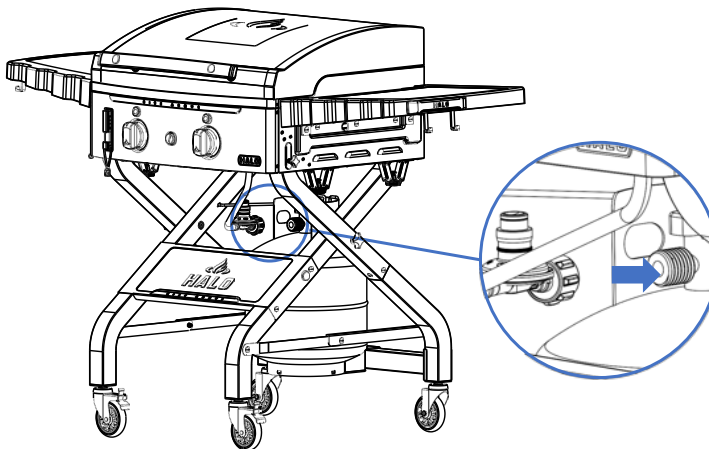
## **⚠ AVERTISSEMENT**

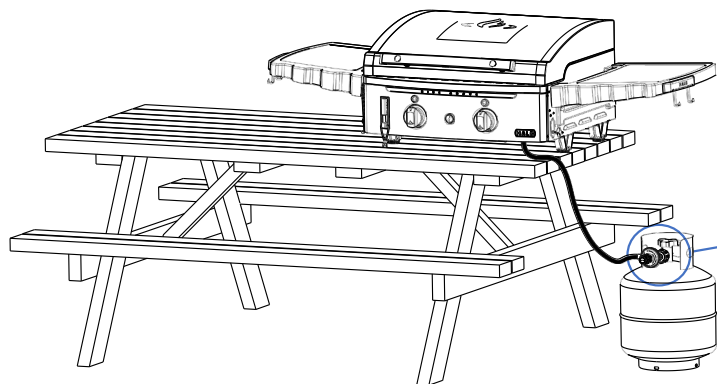
La bouteille de GPL utilisée avec ce gril doit répondre aux exigences suivantes :

- Utilisez l'appareil uniquement avec du gaz LP (propane) et l'ensemble régulateur/valve fourni.
- L'installation doit être conforme aux codes locaux ou, en leur absence, au National Fuel Gas Code, NFPA 54/ANSI Z223.1. La manipulation et le stockage des bouteilles de GPL doivent être conformes au Code des gaz de GPL NFPA/ANSI 58.
- Ne modifiez pas cet appareil. Toute modification entraînera un risque pour la sécurité.
- Habitants d'appartements : Vérifiez auprès de la direction pour connaître les exigences et les codes d'incendie relatifs à l'utilisation d'un appareil à gaz GPL dans un appartement. Si cela est autorisé, utilisez-le à l'extérieur, au rez-de-chaussée, en conservant un espace de 3 mètres par rapport aux murs ou aux rails.

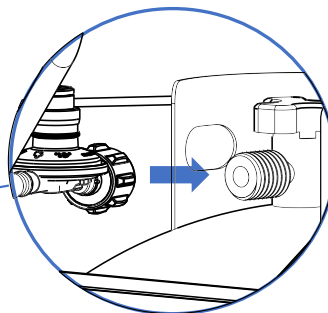
## **TUYAU DE RACCORDEMENT + RÉGULATEUR RÉGLABLE 20 LBS. RÉSERVOIR**

1. Placez la bouteille de gaz liquéfié sur le support du réservoir et fixez-le à l'aide d'un câble de maintien du réservoir ou d'une surface plane et stable.
2. Assurez-vous que la vanne du brûleur est sur la position OFF.
3. La bouteille de GPL doit être en position OFF. Si ce n'est pas le cas, tournez la roue dans le sens des aiguilles d'une montre jusqu'à ce qu'elle s'arrête.
4. Retirez le capuchon de protection de la valve de la bouteille de GPL. Utilisez toujours le capuchon et la sangle fournis avec la valve OPD.
5. **N'UTILISEZ PAS DE BOUCHON DE TRANSPORT POL (pièce en plastique avec filetage interne) ! CELA ANNULE LE DISPOSITIF DE SÉCURITÉ DE LA VALVE.**





Régulateur attaché



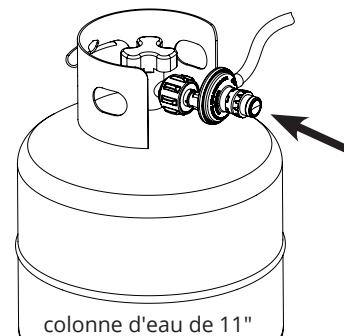
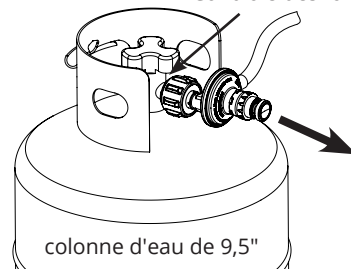
## FONCTIONNEMENT AJOUTÉ

Votre gril est équipé d'un régulateur basse pression réglable. La pression de fonctionnement normale est de 11" de colonne d'eau et la pression de fonctionnement inférieure disponible est de 9,5" de colonne d'eau. Lorsque vous utilisez votre gril dans des circonstances normales, il est préférable que le régulateur soit réglé sur la pression de 11 pouces de colonne d'eau. Si vous souhaitez cuisiner à des températures légèrement inférieures, réglez le régulateur sur le réglage 9,5" de colonne d'eau. En fonction du réglage de la température sur lequel vous avez réglé le bouton de commande, la température sera plus ou moins basse lorsque vous utiliserez le réglage de la pression la plus basse. Veuillez consulter les instructions sur la façon de passer du réglage de la colonne d'eau de 11" à celui de 11" et vice-versa.

### COMMENT RÉGLER LE RÉGLAGE DU RÉGULATEUR

- Tirez vers l'arrière le raccord à ressort pour libérer le bouchon du régulateur afin d'obtenir une colonne d'eau de 9,5 pouces.
- Tirez vers l'arrière le raccord à ressort puis poussez fermement le bouchon du régulateur et relâchez. Le bouchon du régulateur s'enclenche et se verrouille en place pour réinitialiser le régulateur à 11 pouces de colonne d'eau.

Contrôle des fuites



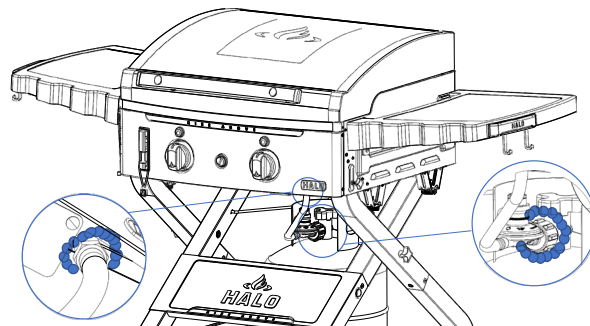
## PROCÉDURE DE TEST D'ÉTANCHÉITÉ

### ⚠ AVERTISSEMENT

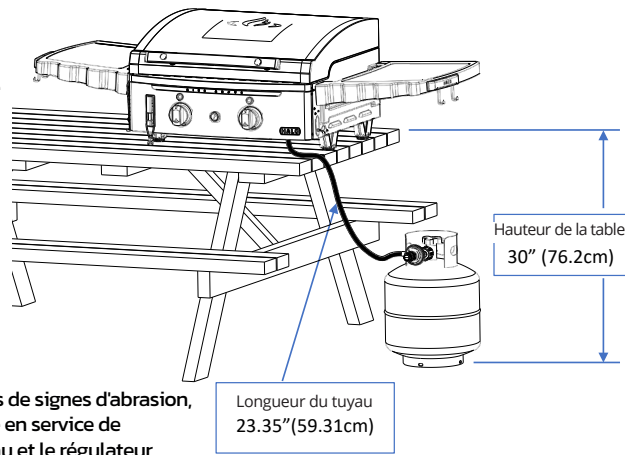
Risque de trébuchement sur le tuyau et la bouteille d'alimentation.

- Veillez à bien fixer la bouteille avec le fil de rétention du réservoir.
- Ne faites pas fonctionner l'appareil sur une table dont la hauteur dépasse 39,8" (101,09 cm).
- Veillez à placer la bouteille sur une surface plane et à l'écart des risques de trébuchement

1. Fixez l'ensemble du tuyau au cylindre.
2. Ouvrez lentement le robinet du cylindre.
3. Effectuez un contrôle de l'étanchéité des raccords du détendeur au tuyau de la plaque de cuisson au détendeur et du tuyau au cylindre avec de l'eau savonneuse. Les bulles indiquent une fuite. Vérifiez que le raccord n'est pas fileté en croix et qu'il est bien serré.
4. Effectuez un autre contrôle d'étanchéité. Vérifiez le serrage de l'écrou d'accouplement. S'il y a toujours une fuite, retirez le cylindre et contactez le fabricant pour un entretien et une réparation.
5. Lorsque l'appareil n'est pas utilisé, fermez le bouton de commande et le robinet de la bouteille de GPL sur le cylindre d'alimentation.
6. N'utilisez jamais une bouteille de GPL si elle est visiblement rouillée, endommagée ou périmée.
7. Si vous remarquez que de la graisse ou toute autre matière chaude s'écoule de l'appareil sur la vanne, le tuyau ou le régulateur, coupez immédiatement l'alimentation en gaz. Déterminez la cause, corrigez, nettoyez et inspectez la valve, le tuyau et le régulateur avant de continuer. Effectuez un test d'étanchéité.
8. Le régulateur peut émettre un bourdonnement ou un sifflement pendant son fonctionnement. Cela n'affectera pas la sécurité ou l'utilisation de l'appareil.
9. Nettoyez et inspectez le tuyau avant chaque utilisation de l'appareil. En cas de signes d'abrasion, d'usure, de coupures ou de fuites, le tuyau doit être remplacé avant la mise en service de l'appareil. Consultez l'étiquette du produit pour les informations sur le tuyau et le régulateur.
10. Ne bloquez pas les trous dans le fond ou les côtés de l'appareil.
11. Ne faites jamais fonctionner l'appareil avec des bouteilles de GPL hors de la position correcte spécifiée dans les instructions d'assemblage.
12. Fermez toujours le robinet de la bouteille de GPL et retirez l'écrou d'accouplement avant de déplacer la bouteille de GPL de la position de fonctionnement spécifiée.
13. NE stockez JAMAIS une bouteille de GPL de rechange sous ou près de l'appareil ou dans une enceinte.
14. Si vous voyez, sentez ou entendez du gaz s'échapper, éloignez-vous immédiatement de la bouteille/appareil à GPL et appelez les pompiers.
15. Toutes les bouteilles de GPL de rechange doivent avoir des bouchons de sécurité installés sur la sortie du réservoir de GPL.




Vérifiez l'absence de fuites au niveau de ces connexions



# INSTRUCTIONS D'ALLUMAGE

## ALLUMAGE DU GRIL







**REMARQUE :** Les instructions d'allumage se trouvent sous le bas du panneau de commande. Tournez pour suivre les instructions.

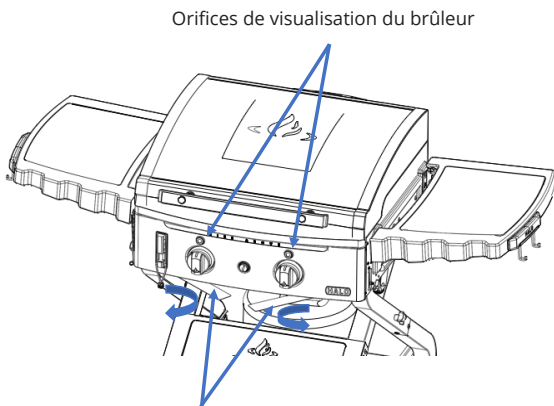
1. Ouvrez le couvercle pendant l'allumage.
2. Poussez et tournez le bouton de commande sur . Appuyez sur l'allumeur électronique et maintenez-le enfoncé pendant 3 à 5 secondes, puis tournez-le pour allumer la partie avant du brûleur.

**REMARQUE :** Pour confirmer que le brûleur est allumé, regardez à travers le brûleurport de visualisation au-dessus du bouton de commande, puis tournez le bouton de commande pour éclairer la section arrière.

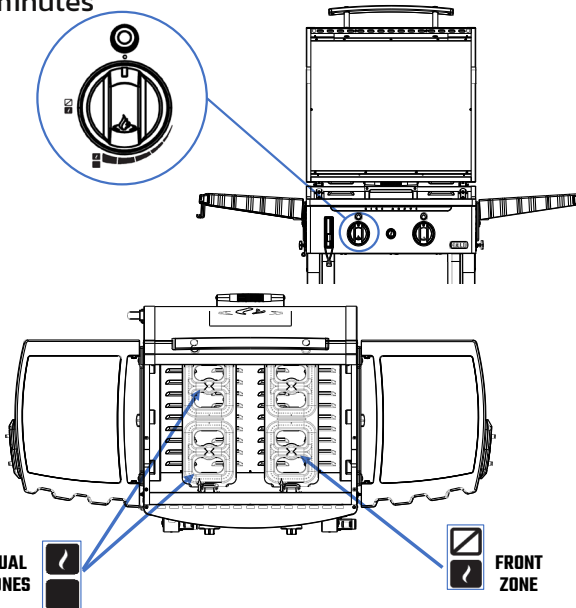
3. Si l'allumage ne se produit pas dans les 5 secondes, éteignez la commande du brûleur, attendez 5 minutes et répétez la procédure d'allumage.

## SYMBOLES

-  Représente l'unité en position "OFF"
-  Représente le brûleur allumé
-  Représente un brûleur déjà allumé
-  Représente la zone avant sur le réglage HIGH
-  Représente les Dual Zones sur le réglage HIGH
-  Représente les Dual Zones sur le réglage HIGH





Instructions d'éclairage situées ici



## INSTRUCTIONS D'ALLUMAGE AVEC BATON D'ALLUMAGE

**REMARQUE:** Un bâton d'allumage est commodément situé à l'avant gauche de la chambre d'ignition.

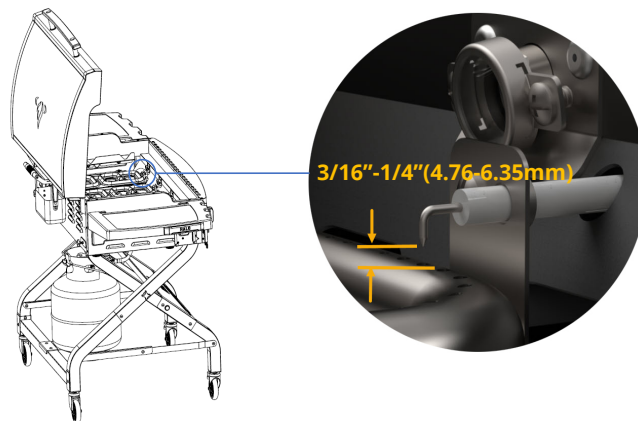
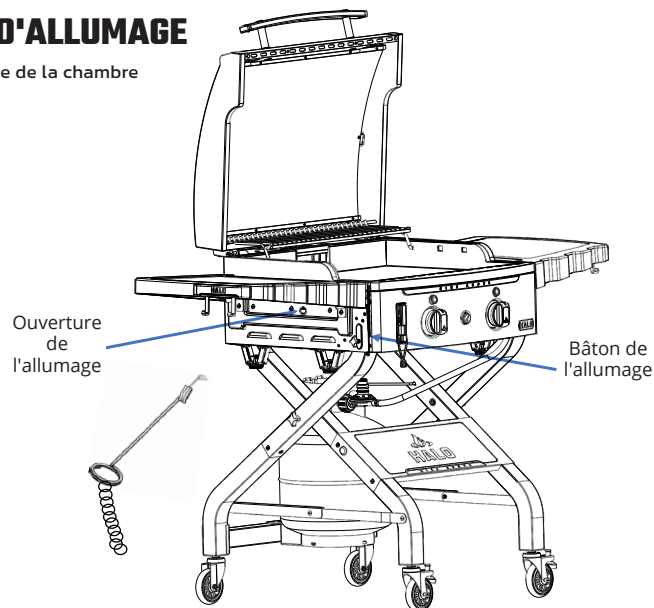
1. Ouvrez le couvercle.
2. Assurez-vous que le bouton de commande soit en position OFF (Poussez le bouton de commande vers le bas et tournez-le dans le sens des aiguilles d'une montre pour vous assurer qu'il est en position OFF).
3. Allumez le brûleur avec un bâton d'allumage ou une allumette de 11 pouces de long, puis placez l'allumette sur le brûleur.
4. Poussez et tournez le bouton de commande sur  réglage pour allumer le brûleur.  

5. Assurez-vous que le brûleur s'allume et reste allumé.

### AVERTISSEMENT

Ne vous penchez pas au-dessus du barbecue ouvert. Gardez votre visage et votre corps à une distance d'au moins un pied du trou de l'allumette lorsque vous allumez la plaque de cuisson.

## DISTANCE ENTRE L'ALLUMAGE ET L'ÉLECTRODE

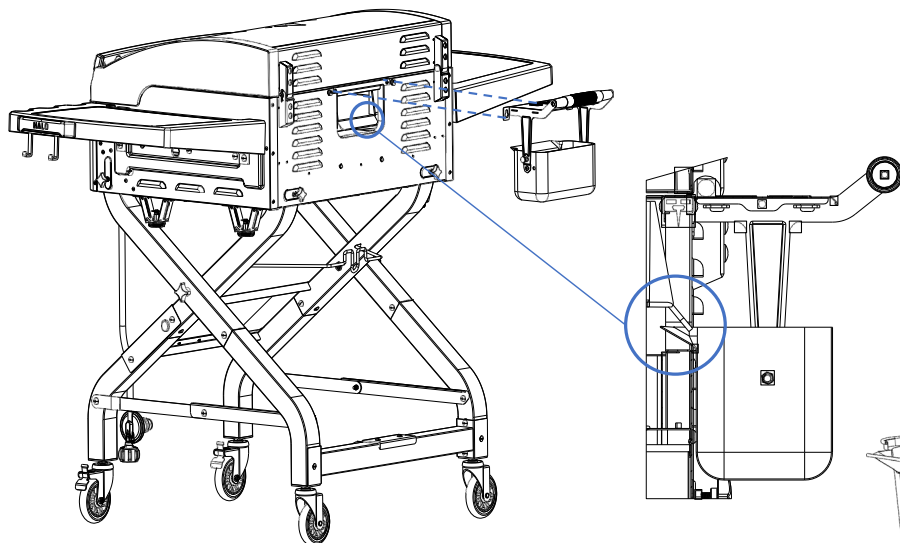
Pour créer une étincelle solide, la DISTANCE entre l'électrode et le brûleur doit être de 4,76-6,35 mm (3/16"-1/4"). L'électrode ne doit pas toucher le brûleur ou être trop espacée. Assurez-vous que l'étincille aille vers un port au lieu d'une étincille aléatoire vers le brûleur.



# BAC À GRAISSE + NIVELLEMENT

## POSITIONNEMENT + BAC À GRAISSE

Pour éviter toute fuite de graisse, placez la lèvres du bac à graisse sous le rebord d'égouttement de la plaque de cuisson lors de l'installation du bac à graisse. Vérifiez souvent le godet à graisse et nettoyez-le après chaque utilisation.

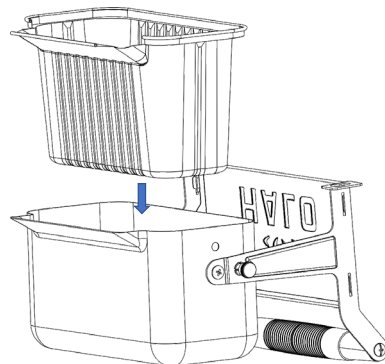
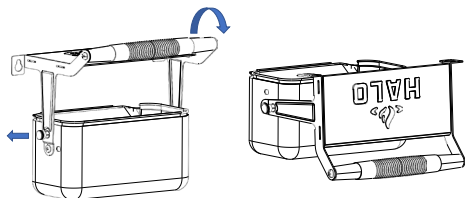


### **AVERTISSEMENT**

Assurez-vous que le grill est refroidie avant de retirer le bac à graisse.

## PLIER LA POIGNÉE DU BAC À GRAISSE

1. Bouton moleté coulissant à ressort.
2. Tournez la poignée vers l'arrière pour vider la graisse.

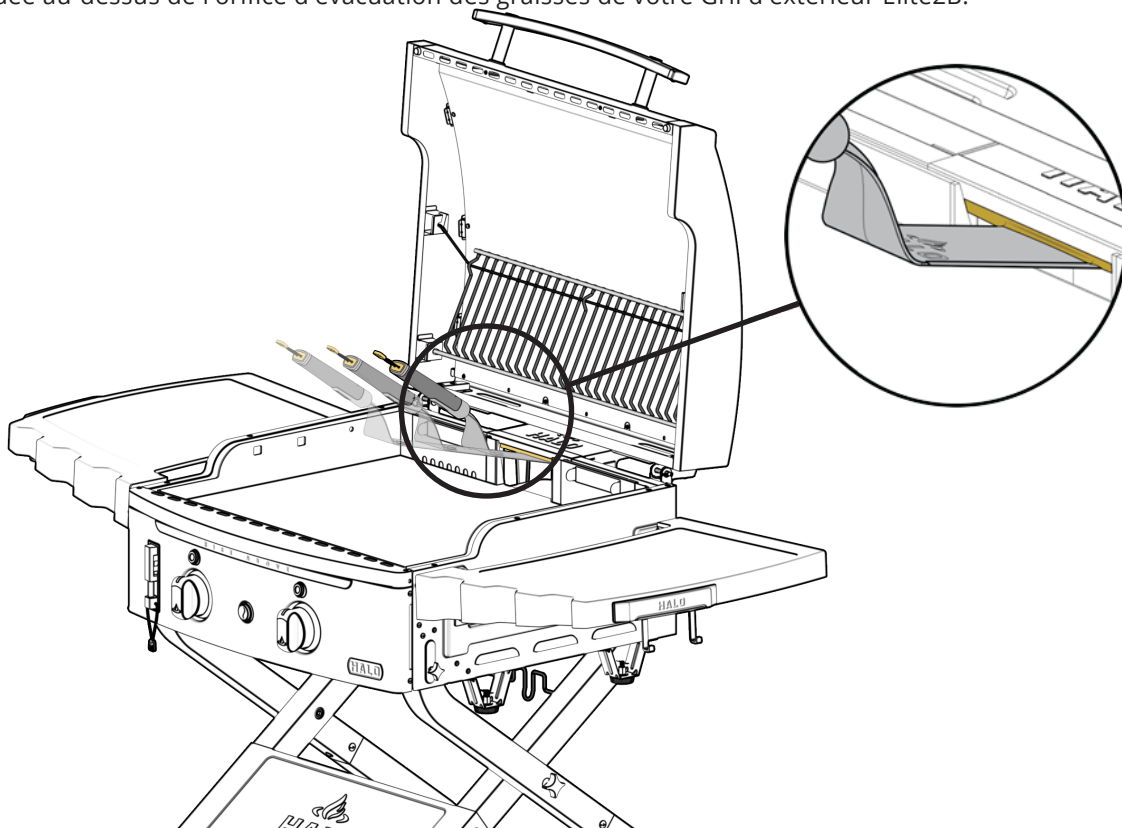


**REMARQUE :** Pour un nettoyage facile, achetez les doublures jetables pour seaux à graisse de Halo sur [www.halo-pg.com](http://www.halo-pg.com).



# FONCTION DE NETTOYAGE DES USTENSILES

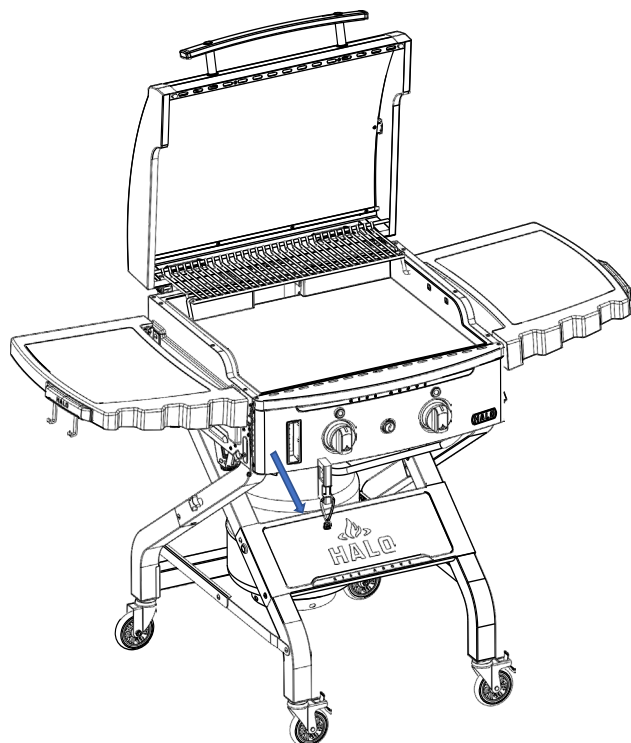
Nettoyez votre spatule pendant la cuisson ou le nettoyage à l'aide de la barre de raclette fixe située au-dessus de l'orifice d'évacuation des graisses de votre Gril d'extérieur Elite2B.



# FONCTION DE MISE À NIVEAU

**REMARQUE :** Avant d'utiliser l'appareil, mettez-le à niveau lorsqu'il est froid.

Nous avons facilité la mise à niveau de votre surface de cuisson. Utilisez le niveleur fourni (situé à l'avant gauche de la plancha) et la clé à roulette M12 pour régler les pieds (roulettes) du gril avant la cuisson.




tournez dans le sens des  
aiguilles d'une montre  
pour réduire la hauteur

tournez dans le sens inverse  
des aiguilles d'une montre  
pour augmenter la hauteur

# APPRÊT DE VOTRE GRIL

## APPRÊT INITIAL POUR LE GRIL

L'idée simple d'un apprêt initial est d'enduire le gril d'huile, puis de chauffer l'huile au-dessus de son point de fumée pour la polymériser et créer une liaison avec la surface du gril. Vous obtiendrez ainsi une surface au revêtement sombre, facile à nettoyer.

1. Préchauffez la plaque pendant 12 minutes sur  réglage DUAL ZONES avec le couvercle fermé.
2. Appliquez une petite quantité d'huile sur la surface de la plaque de cuisson et étalez-la avec un chiffon ou une serviette en papier (utilisez des pinces ou une spatule en métal pour tenir le chiffon ou la serviette en papier pendant l'application). Veillez à appliquer une couche uniforme sur toute la surface du gril et les parois intérieures jusqu'à ce qu'elle atteigne son "point de fumée" et laissez-la continuer à chauffer le gril jusqu'à ce qu'il cesse de fumer.
3. Répétez ce processus (étape 2) 4 à 5 fois. Votre plaque de cuisson va commencer à prendre une couleur noire brillante.
4. Cette procédure d'apprêt du gril prendra environ 18 à 20 minutes.

### ATTENTION

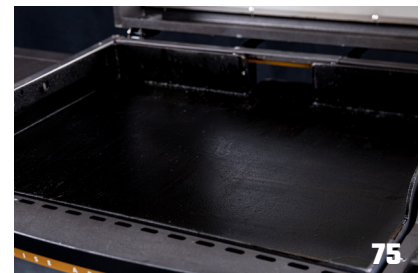
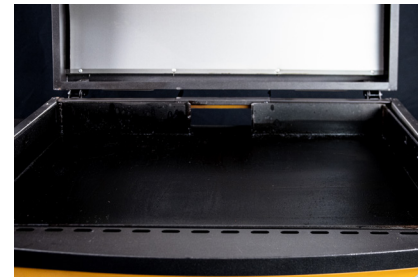
**N'UTILISEZ PAS DE SAVON SUR LA SURFACE DE CUISSON DU GRIL.** Cela enlèvera l'apprêt du gril.

### DANGER

**NE PAS** placer d'articles inflammables sur les tablettes latérales près de la plaque de cuisson. Les aérosols sont particulièrement dangereux car ils peuvent surchauffer et provoquer une explosion, un incendie, des blessures graves ou la mort.

### AVERTISSEMENT

- **NE PLACEZ PAS** de serviettes huileuses ou graisseuses à proximité de l'unité de gril car elles peuvent brûler spontanément.
- **N'APPLIQUEZ JAMAIS D'UN SEUL COUP DE L'EAU FROIDE SUR TOUTE LA SURFACE D'UNE PLAQUE DE CUISSON CHAUDE.** Cela peut provoquer une déformation.
- **NE laissez PAS** le gril sans surveillance pendant le préchauffage ou la combustion des résidus alimentaires. Si le gril n'a pas été régulièrement nettoyé, un feu de graisse peut se produire et provoquer des blessures graves ou des dommages matériels.



## CE À QUOI DOIT RESSEMBLER UN GRIL BIEN APPRÊTÉ

Votre gril bien apprêté devrait être noir et brillant et avoir une surface de cuisson antiadhésive naturelle. Plus vous cuisinerez avec votre gril et l'apprêt, plus il deviendra foncé, résistant et brillant.

# ENTRETIEN DE VOTRE ELITE2B

## UTILISATION ET ENTRETIEN

- Nettoyez régulièrement votre gril d'extérieur HALO Elite2B entre les utilisations et surtout après de longues périodes de stockage.
- Assurez-vous que le gril d'extérieur HALO Elite2B et ses composants sont suffisamment refroidis avant de nettoyer votre gril.
- Ne manipulez jamais les pièces chaudes avec des mains non protégées.
- Nous recommandons fortement de couvrir l'appareil afin de prolonger et de maintenir la durée de vie et l'état de votre gril d'extérieur HALO Elite2B (la couverture du gril Halo P/N HZ-5002 peut être achetée sur [www.halo-pg.com](http://www.halo-pg.com) une fois disponible à l'achat) lorsqu'il est laissé à l'extérieur pendant une longue période après chaque utilisation, en particulier pendant les mois d'hiver.
- Videz et nettoyez le bac à graisse après chaque utilisation.

## STOCKAGE

- Il est recommandé de vérifier et de resserrer annuellement les fixations et les raccords avant le stockage.
- Rangez votre gril d'extérieur HALO Elite2B dans un endroit frais et sec.
- Nous recommandons de recouvrir les brûleurs d'une feuille d'aluminium afin d'empêcher les insectes ou autres débris de s'accumuler dans les orifices des brûleurs.
- Si vous rangez votre gril d'extérieur HALO Elite2B à l'intérieur, la bouteille de gaz doit être débranchée et laissée à l'extérieur.
- La bouteille de gaz doit toujours être stockée à l'extérieur et dans un endroit sec, bien ventilé et hors de portée des enfants.

76

## LA PREMIÈRE FOIS QUE VOUS NETTOYEZ LA SURFACE DU GRIL

Les grils HALO sont prétraités avec de l'huile de cuisson pour éviter la rouille et les dommages pendant le transport. Lors de la première utilisation, lavez le gril à l'eau chaude et savonneuse entre chaque utilisation et surtout après une longue période de stockage.

**C'EST LE SEUL MOMENT OÙ VOUS DEVEZ UTILISER DU SAVON SUR LA SURFACE DE CUISSON DU GRIL.** Rincez et séchez complètement. Suivez les instructions d'assaisonnement. (Veuillez consulter la section Instructions d'apprêt du gril à la page 75).

## NETTOYAGE ET ENTRETIEN DE VOTRE GRIL

**ÉTAPE 1** - Pour nettoyer le gril après chaque utilisation, laissez-le refroidir à moins de 300° F et grattez-le délicatement avec une spatule ou un grattoir en métal.

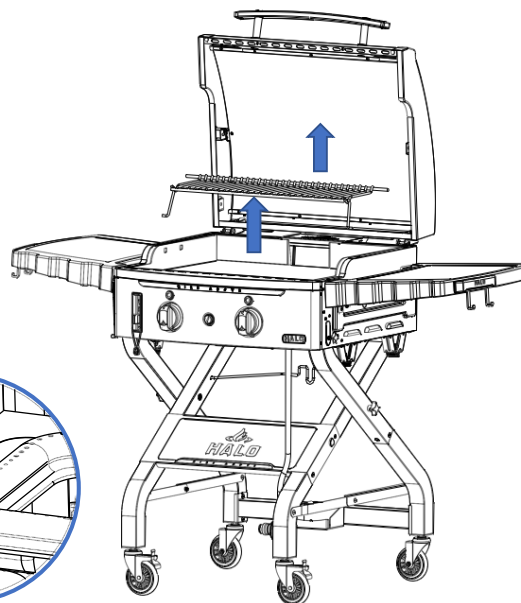
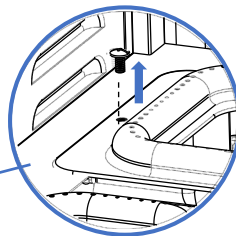
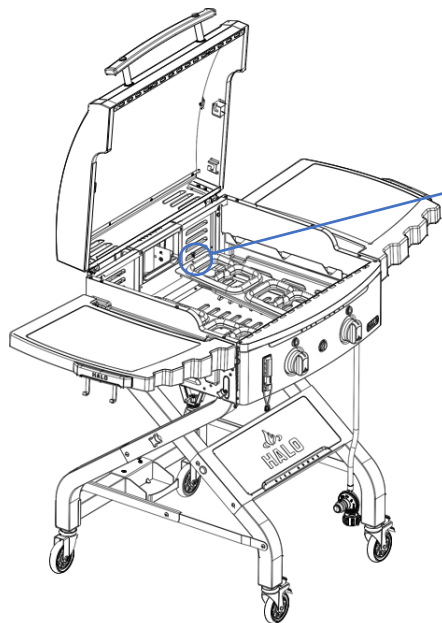
**ÉTAPE 2** - Essayez la surface du gril avec un chiffon ou une serviette en papier. Versez de l'eau sur la surface chaude du gril pour les résidus alimentaires tenaces et laissez-le bouillir pour éliminer les résidus.

**ÉTAPE 3** - Vous devez appliquer une très fine couche d'huile pour maintenir l'adhérence de l'apprêt et le protéger de la rouille lorsque vous avez fini d'utiliser votre gril.

**ÉTAPE 4** - S'il y a de la rouille ou de la calamine, frottez-la avec de la laine d'acier et refaites l'apprêt de la surface.

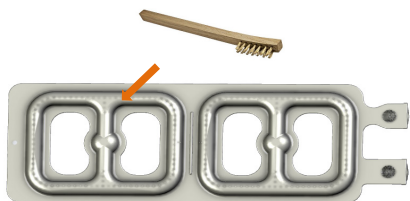
# COMMENT NETTOYER LES BRÔLEURS

- 1 **Coupez le gaz au niveau des boutons de commande et de la bouteille de GPL (non illustrée).**
- 2 **Retirez la grille de maintien au chaud pivotante et la plaque de cuisson. Détachez et retirez le brûleur avec précaution.**

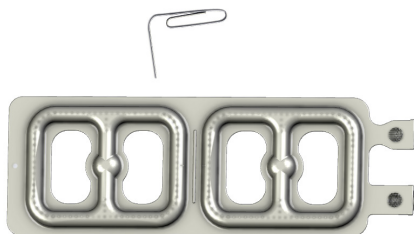




- 3** Passez plusieurs fois un goupillon étroit dans le venturi du brûleur. (N'utilisez pas de brosse métallique).



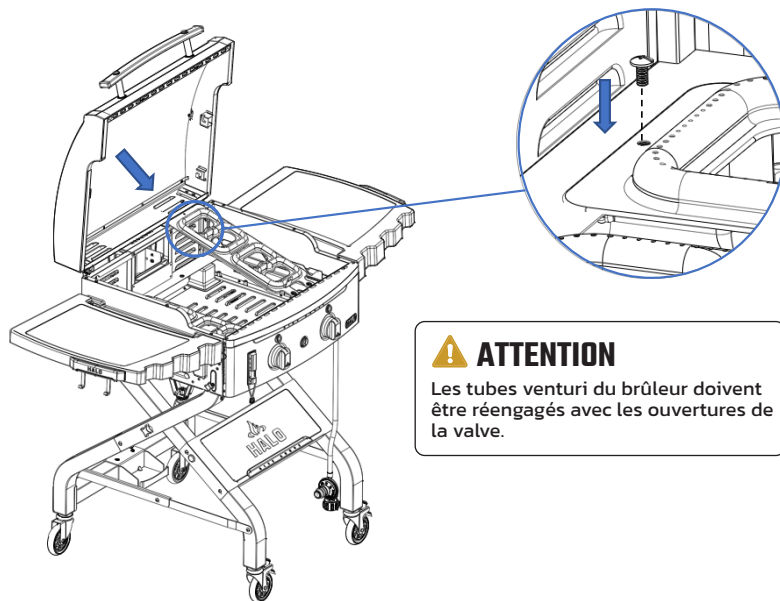
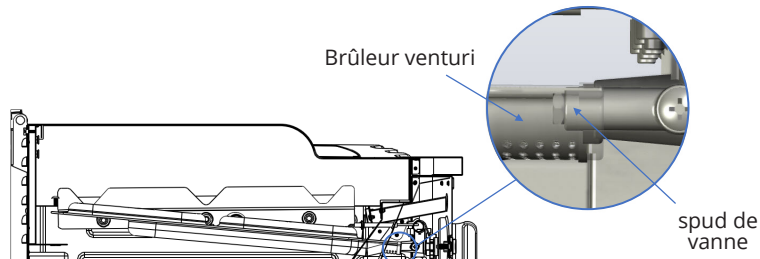
- 4** Brossez toute la surface extérieure du brûleur pour enlever la crasse et la rouille.



- 5** Nettoyez les orifices obstrués à l'aide d'un fil rigide tel qu'un trombone ouvert.

78

- 6** Remettez chaque brûleur en place avec précaution, puis fixez-le avec les vis 3-M5 x 10.

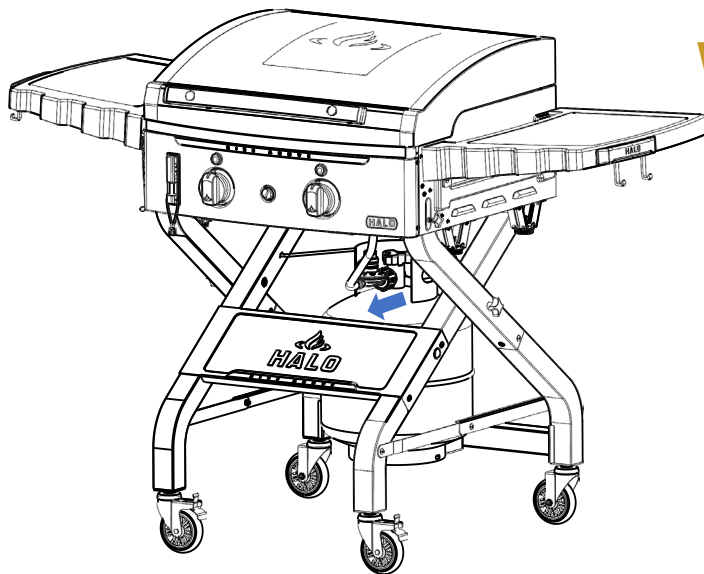


**⚠ ATTENTION**

Les tubes venturi du brûleur doivent être réengagés avec les ouvertures de la valve.

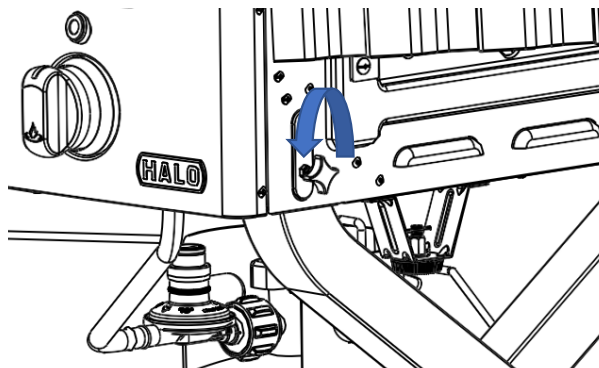
# TRANSFORMATION DE VOTRE GRIL

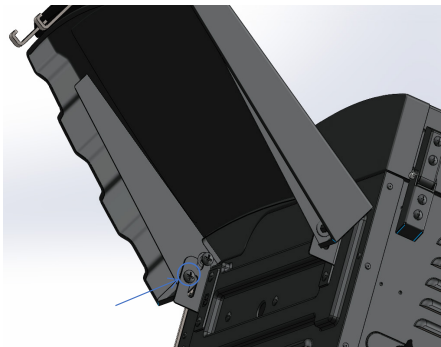
## COMMENT CONVERTIR VOTRE GRIL PORTABLE EN GRIL DE TABLE



- 1 Retirez l'ensemble tuyau et détenteur de la bouteille.

- 2 Desserrer le 4 1/4 »-20 x 15mm boutons avec arbre fileté.

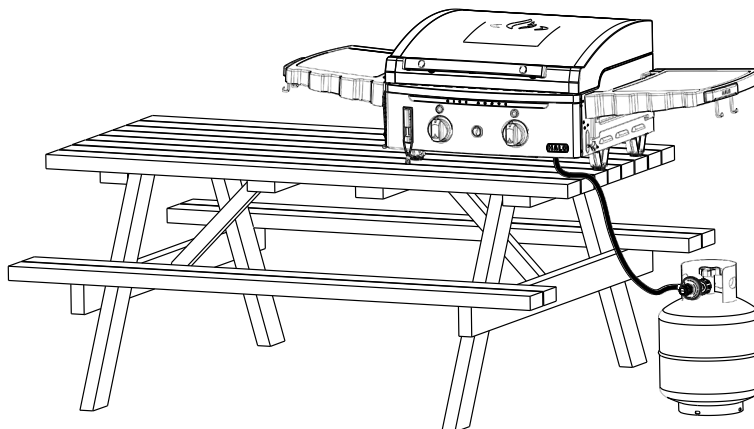
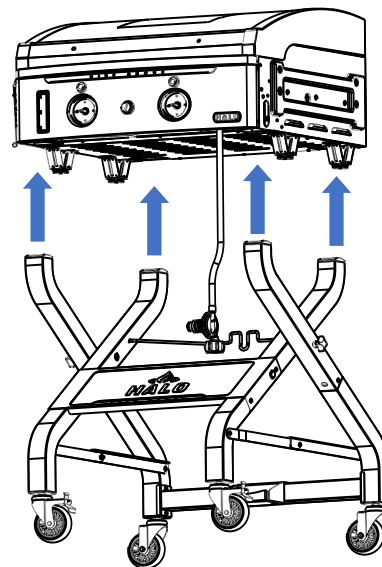




- 3** (Étape facultative) Les tables latérales peuvent être retirées en retirant 4 vis à épaulement M6 x 7H.

- 5** Soulevez l'ensemble de la chambre de combustion du chariot avec l'aide d'un ami.

- 4** Placez l'ensemble de la chambre de combustion sur le banc ou la table du parc avec l'aide d'un ami.





# DÉPANNAGE

## LE BRÛLEUR NE S'ALLUME PAS AVEC L'ALLUMAGE ÉLECTRONIQUE

### CAUSE POSSIBLE:

- Régulateur défectueux
- Obstruction des venturis du brûleur
- Obstruction de l'orifice ou du tuyau de gaz
- L'électrode est endommagée/l'allumeur est défectueux
- Bouteille de GPL vide
- Cilindro de LP vacío

### SOLUTION:

- Vérifiez le régulateur ou remplacez-le
- Nettoyez les venturis et le brûleur avec une brosse métallique ronde de petite taille
- Nettoyez l'orifice et le tuyau de gaz
- Remplacez l'électrode et le fil d'allumage ou remplacez le module d'allumage
- Remplacez par un nouveau cylindre LP

## BRÛLEUR NE SERA PAS AVEC UNE ALLUMETTE

### CAUSE POSSIBLE:

- Régulateur défectueux
- Obstructions dans le brûleur
- Obstruction de l'orifice ou du tuyau de gaz
- Bouteille de GPL vide

### SOLUTION:

- Faites vérifier ou remplacez le régulateur
- Nettoyez le brûleur
- Nettoyez l'orifice et le tuyau de gaz
- Utilisez une nouvelle bouteille de PL

## LE FEU DANS LE VENTURI DU BRÛLEUR PRÉSENTE UNE FLAMME FAIBLE OU UN RETOUR DE FLAMME (UN SIFFLEMENT OU UN GRONDEMENT PEUT ÊTRE ENTENDU)

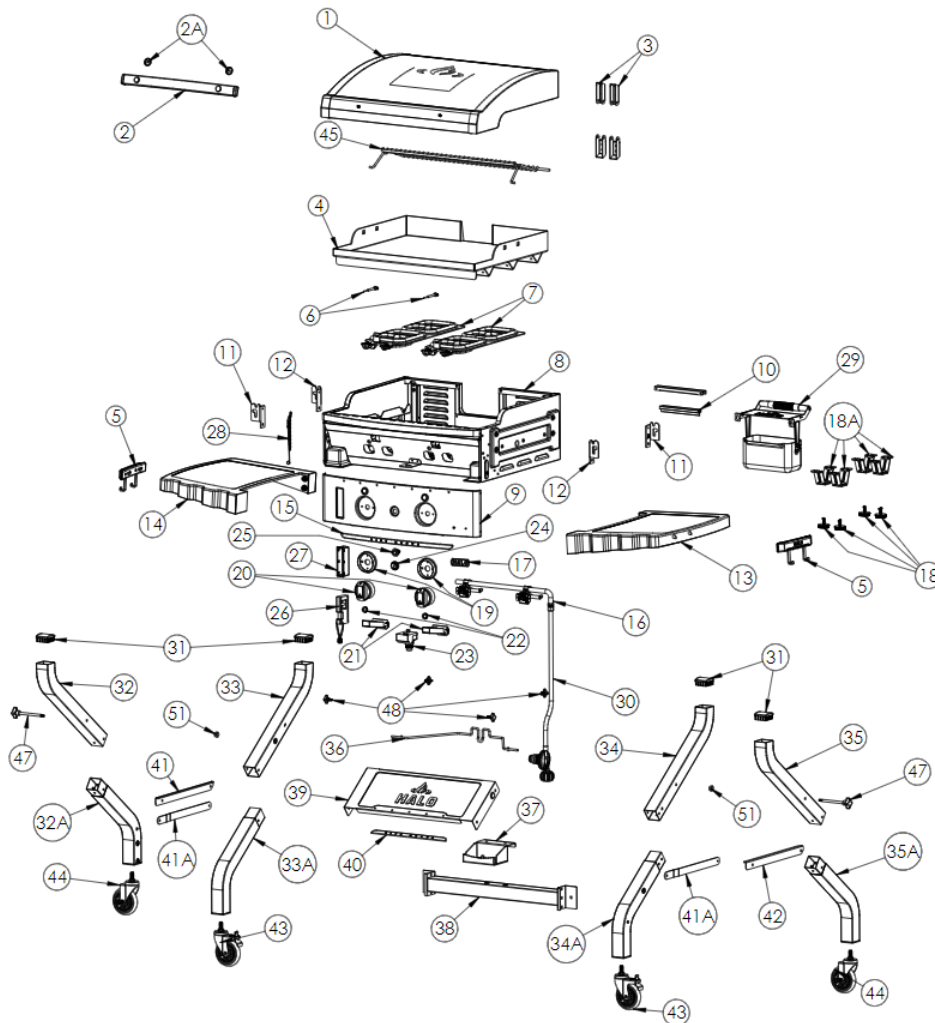
### CAUSE POSSIBLE:

- Obstructions dans le brûleur
- Obstruction de l'orifice ou du tuyau de gaz
- Conditions venteuses

### SOLUTION:

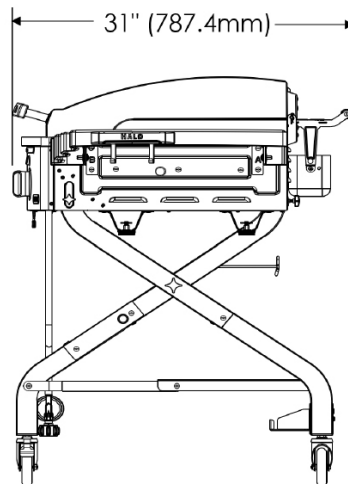
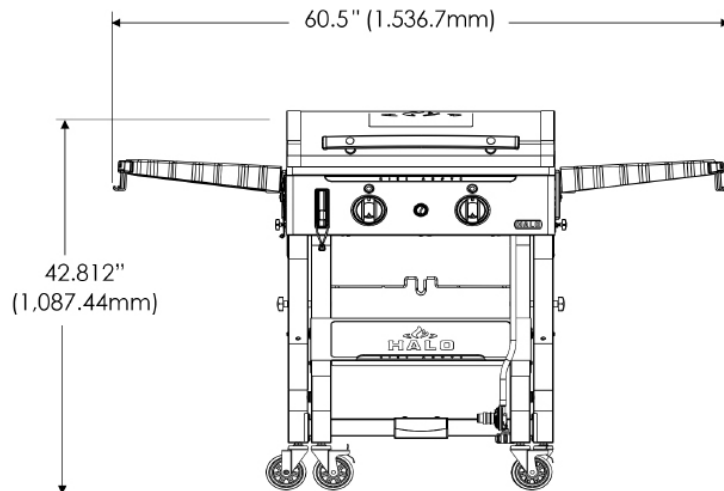
- Nettoyez le brûleur
- Nettoyez l'orifice
- Utilisez votre gril dans un endroit plus protégé

# LISTE DES PIÈCES ELITE2B



ARTICLE	DESCRIPTION DE LA PIÈCE	RÉFÉRENCE DE LA PIÈCE	QUANTITÉ	ARTICLE	DESCRIPCIÓN DE LA PIEZA	RÉFÉRENCE DE LA PIÈCE	QUANTITÉ
1	Assemblage de la couverture	HZ-1003-01	1	31	Pied à capuchon	HZ-1001-48	4
2	Assemblage de la poignée de la couverture	HS-1005-02	1	32	Pied extérieur gauche-long	HZ-1001-49	1
2A	Poignée de la couverture Standoff-Bezel	HZ-1001-03	2	32A	Pied extérieur gauche-court	HZ-1001-50	1
3	Jeu de charnières pour la couverture (inférieure et supérieure)	HZ-1001-04	2	33	Pied intérieur gauche-long	HZ-1001-51	1
4	Plaque du grill	HZ-1003-02	1	33A	Pied intérieur gauche court	HZ-1001-52	1
5	Poignée à crochet "JJ" L et R	HZ-1001-06	2	34	Pied intérieur droit long	HZ-1001-53	1
6	Ensemble d'électrodes avec fil de 58 cm de long	HZ-1001-07	2	34A	Pied intérieur droit court	HZ-1001-54	1
7	Assemblage du brûleur	HZ-1001-08	2	35	Pied extérieur droit long	HZ-1001-55	1
8	Chambre de combustion	HZ-1003-03	1	35A	Pied extérieur droit court	HZ-1001-56	1
9	Panneau de contrôle	HZ-1003-04	1	36	Fil de rétention du réservoir	HZ-1003-09	1
10	Lame de raclette - commune	HZ-1007-4A	1	37	Support de réservoir	HZ-1001-32	1
11	Support - Table latérale-A	HZ-1001-10	2	38	Renfort arrière	HZ-1003-10	1
12	Support - Table latérale-B	HZ-1001-11	2	39	Panneau avant	HZ-1003-11	1
13	Table d'appoint - droite	HZ-1001-12	1	40	Plaque avec logo RISE ABOVE	HZ-1004-39	1
14	Table d'appoint - gauche	HZ-1001-13	1	41	Support de pivotement-A	HZ-1001-36	1
15	Pièce décorative RISE ABOVE	HZ-1004-39	1	41A	Support de pivotement-B	HZ-1001-37	2
16	Ensemble vanne et collecteur	HZ-1003-05	1	42	Support de pivotement-C	HZ-1001-38	1
17	Plaque avec logo HALO	HZ-1004-27	1	43	Roulette avec verrouillage	HO-1006-XNA-13	2
18	Pied réglable	HZ-1001-16	4	44	Roulette pivotante	HO-1006-XNA-12	2
18A	Support de pied	HZ-1001-16A	4	45	Support de chauffage pivotant avec fil de soutien	HZ-1003-12	1
19	Bezel-Bouton de commande - commun	HZ-1004-37	2	<b>BLISTER DE MATÉRIEL</b>			
20	Bouton de commande - commun	HZ-1004-38	2	46	Vis M6 x 14 mm	HZ-1001-39	1
21	Lentille de verre- Brûleur - Visionneuse	HZ-1003-06	2	47	M6 x 93 mm - Bouton avec tige filetée	HZ-1001-40	42
22	Visionneuse pour brûleurs à lentille de verre	HZ-1001-17	2	48	Bouton 1/4 »-20 x 15 mm avec tige filetée	HZ-1001-41	2
23	Module d'allumage électronique avec 3 sorties	HZ-1004-32	1	49	Vis à épaulement M6 x 3H	HZ-1001-42	4
24	Capuchon en silicone - interrupteur d'allumage	HZ-1004-36	1	50	Vis à épaulement M6 x 7H	HZ-1001-43	4
25	Interrupteur d'allumage	HZ-1004-35	1	51	Entretoise en nylon	HZ-1001-44	8
26	Niveleur	HZ-1007-21	1	52	Clé M12	HZ-1001-45	2
27	Niveau de logement	HZ-1007-22	1			HZ-1001-46	1
28	Bâton d'allumage	HZ-1003-08	1				
29	Bac à graisse avec couvercle	HZ-1001-21	1				
30	Régulateur réglable avec tuyau tressé	HZ-1001-22	1				

# DIMENSIONS DE MONTAGE



# GARANTIE LIMITÉE DE CINQ (5) ANS

Cette garantie s'applique uniquement aux produits achetés auprès d'un détaillant agréé après avoir utilisé l'option **ENREGISTRER MON HALO** via les QR Codes ou sur **halo-pg.com** pour enregistrer un nouveau produit. L'enregistrement doit être effectué dans les 30 jours suivant l'achat auprès du fabricant pour bénéficier de cette garantie. Dans le cadre de cette garantie, le fabricant garantit expressément ce qui suit :

Le fabricant garantit à l'acheteur original que ce produit est exempt de défauts de fabrication et de matériaux après un assemblage correct et dans le cadre d'une utilisation domestique normale et raisonnable pendant les périodes indiquées ci-dessous, à compter de la date d'achat.

ÉTENDUE DE LA COUVERTURE	PÉRIODE DE COUVERTURE	TYPE DE COUVERTURE DES DÉFAILLANCES
HALO offre une garantie contre les défauts de fabrication sur toutes les pièces et composants non couverts ci-dessous	5 Ans	UNIQUEMENT LES DÉFAUTS DE PERFORATION, DE FABRICATION ET DE MATÉRIAUX
Composants électriques	1 An	
Peinture	1 An	

Veuillez conserver une copie de votre preuve d'achat pour valider votre garantie. Il peut vous être demandé d'envoyer une copie de votre reçu pour confirmer toute demande de garantie.

Le consommateur-acheteur d'origine sera responsable de tous les frais d'expédition des pièces remplacées dans le cadre de cette garantie limitée. Cette garantie limitée ne s'applique qu'aux États-Unis et au Canada, n'est valable que pour le propriétaire initial du produit et n'est pas transférable. Le fabricant exige une preuve de votre date d'achat. Vous devez donc conserver votre ticket de caisse ou votre facture. L'enregistrement de votre produit ne remplace pas la preuve d'achat et le fabricant n'est pas responsable ni tenu de conserver les preuves d'achat. Cette garantie limitée s'applique UNIQUEMENT à la fonctionnalité du produit et ne couvre pas les problèmes esthétiques tels que les rayures, les bosses, les corrosions ou les décolorations dues à la chaleur, aux nettoyeurs abrasifs et chimiques ou à tout outil utilisé pour l'assemblage ou l'installation de l'appareil, la rouille de surface ou la décoloration des surfaces en acier inoxydable. La peinture n'est pas garantie et devra être retouchée. La rouille n'est pas considérée comme un défaut de fabrication ou de matériel.

**Cette garantie limitée ne vous remboursera pas le coût des incon vénients, des aliments, des blessures corporelles ou des dommages matériels.**

# GARANTIE LIMITÉE DE CINQ (5) ANS

## ARTICLES POUR LESQUELS LE FABRICANT NE PAIERA PAS

1. Frais d'expédition, standard ou accéléré, pour la garantie et les pièces de rechange.
2. Appels de service à votre domicile.
3. Les réparations lorsque votre produit est utilisé à des fins autres que l'usage normal, domestique ou résidentiel d'une seule famille.
4. Les dommages, les défaillances ou les difficultés de fonctionnement résultant d'un accident, d'une modification, d'une manipulation ou d'une utilisation imprudente ou négligente, d'une utilisation par un mineur, d'un abus, d'un incendie, d'une inondation, d'une installation ou d'un entretien inadéquat, d'une installation non conforme aux codes de l'électricité ou de la plomberie, de l'utilisation de produits non approuvés par le fabricant ou de l'utilisation de produits non autorisés par les lois, les règlements et les codes fédéraux, provinciaux ou locaux.
5. Toute perte de nourriture due à des défaillances du produit ou à des difficultés de fonctionnement.
6. Les pièces de rechange ou le coût de la main-d'œuvre pour les unités utilisées en dehors des États-Unis ou du Canada.
7. Enlèvement et livraison de votre produit.
8. Les réparations de pièces ou de systèmes résultant de modifications non autorisées apportées au produit.
9. Le retrait et/ou la réinstallation de votre produit.

## Exclusion des Garanties Implicites et Limitation des Recours

La réparation ou le remplacement des pièces défectueuses est votre seul recours selon les termes de cette garantie limitée. En cas de problèmes de disponibilité des pièces, le fabricant se réserve le droit de substituer des pièces similaires ou de même fonction. Le fabricant ne peut être tenu responsable de tout dommage indirect ou accessoire découlant de la violation de la présente garantie limitée ou de toute garantie implicite applicable, ou de toute défaillance ou tout dommage résultant d'une catastrophe naturelle, d'un entretien inadéquat, d'un incendie de graisse, d'un accident, d'une modification, du remplacement de pièces par une personne autre que le fabricant, d'une mauvaise utilisation, du transport, d'une utilisation commerciale, d'un abus, d'un environnement hostile (intempéries, catastrophes naturelles, altération par des animaux), d'une installation inadéquate ou non conforme aux codes locaux ou aux instructions imprimées du fabricant.

**5 YEAR**  
LIMITED  
**WARRANTY**

**CETTE GARANTIE LIMITÉE EST LA SEULE GARANTIE EXPRESSE DONNÉE PAR LE FABRICANT. AUCUNE SPÉCIFICATION OU DESCRIPTION DE PERFORMANCE DU PRODUIT, OÙ QU'ELLE APPARAISSE, N'EST GARANTIE PAR LE FABRICANT, SAUF DANS LA MESURE PRÉVUE PAR LA PRÉSENTE GARANTIE LIMITÉE. TOUTE PROTECTION DE GARANTIE IMPLICITE DÉCOULANT DES LOIS DE TOUT ÉTAT, Y COMPRIS LA GARANTIE IMPLICITE DE QUALITÉ MARCHANDE OU D'ADÉQUATION À UN USAGE PARTICULIER, EST LIMITÉE PAR LA PRÉSENTE À LA DURÉE ET À LA PORTÉE STIPULÉES DANS LA PRÉSENTE GARANTIE LIMITÉE.**

La responsabilité maximale du fabricant, dans tous les cas, ne dépassera pas le prix d'achat du produit payé par le consommateur initial. REMARQUE : Certains États n'autorisent pas l'exclusion ou la limitation des dommages accessoires ou indirects, de sorte que certaines des limitations ou exclusions ci-dessus peuvent ne pas s'appliquer à vous. Cette garantie limitée vous confère des droits légaux spécifiques tels qu'énoncés dans le présent document. Vous pouvez également avoir d'autres droits qui varient d'un État à l'autre. Pour les achats effectués dans l'État de Californie uniquement, si la remise en état ou le remplacement du produit n'est pas commercialement réalisable, le détaillant californien qui vend ce produit remboursera le prix d'achat payé pour le produit, moins le montant directement attribuable à l'utilisation par le consommateur-acheteur initial avant la découverte de la non-conformité. En outre, dans l'État de Californie uniquement, vous pouvez apporter le produit à l'établissement de vente au détail qui vend ce produit afin d'obtenir des performances dans le cadre de cette garantie limitée. Si vous souhaitez obtenir du fabricant l'exécution d'une quelconque obligation au titre de la présente garantie limitée, vous devez écrire à l'adresse suivante :

**Halo Products Group LLC 850 West Park Rd Elizabethtown KY, 42701**

Les retours de consommateurs ne seront pas acceptés à moins qu'une autorisation de retour valide ne soit obtenue au préalable auprès du fabricant. Les retours autorisés doivent être clairement marqués à l'extérieur du colis avec un numéro RA et le colis est expédié en fret prépayé. Les retours des consommateurs qui ne respectent pas ces normes seront refusés.

## **SERVICE CONSOMMATEURS**

Pour toute question concernant votre produit, ou si vous avez besoin de pièces de rechange, contactez-nous à l'adresse suivante :

**Sans frais** : 1-833-572-1688 ou

Visitez-nous en ligne à l'adresse **[www.halo-pg.com](http://www.halo-pg.com)**

**STAY CONNECTED WITH US!**



**SCAN TO REGISTER  
YOUR PRODUCT**



HALO Products Group



@haloproductsgroup



@haloproductsgroup



Halo Products Group

© 2022 Halo Products Group LLC

Halo and the Halo flame are registered trademarks of Halo Products Group LLC



**HALO**

RISE ABOVE

[www.halo-pg.com](http://www.halo-pg.com)

Halo Products Group LLC

850 West Park Rd

Elizabethtown KY 42701

Toll free: 1-833-572-1688