

 **hearthstone**[®]

OUTDOOR



Built for bringing friends together.

Expand The Heart of Your Home.



Good things happen when we come together to celebrate — especially when it involves great friends and a warm fire.

HearthStone Outdoor extends the heart of your home to your backyard. As part of the HearthStone Home family of products, we've been creating warm moments for over 40 years. That's given us an unparalleled understanding of fire—and the natural human inclination to want to gather around it. With HearthStone Outdoor's full line of outdoor griddles, fire pit grills, as well as a wood-fired pizza oven, we think we've perfected the "gather round" aspect.

Enjoy the Heart of Your Home--under the stars, with friends, a warm fire, and HearthStone Outdoor.







Contents

Genio Pizza Oven	6
Pizza Oven Accessories	10
Fire Pits	12
Zenith Fire Pit Grill	14
Meteor Fire Pit Grill	16
Customize Your Fire Pit Grill	18
Cosmo Fire Pit	20

Outdoor Griddles.	22
Brabura 40 Griddle	24
Brabura 32 Griddle	26
Brabura 22 Griddle	28
Griddle Features	30
Griddle Accessories	31



Genio Pizza Oven



Fire Pits



Outdoor Griddles

Genio

PIZZA OVEN Model 800-40WO15

What is central to every successful gathering? The perfect host, of course. And what makes a more perfect host than being able to consistently deliver wood-fired deliciousness far into the evening?

Whether your menu includes seared meats, perfectly browned breads, roasted vegetables or, of course, the most perfectly crisped and melty pizza, the HearthStone Outdoor Genio Pizza Oven will deliver.



Counter Top Oven

Genius Design

With unique features like a soapstone cooking surface, a front prep shelf, a surface heat thermometer and one-handed front door handle, the Genio will surpass all of your expectations.





Genio

PIZZA OVEN Model 800-40WO15

The Genio is the ultimate premium experience in outdoor ovens. With a thick soapstone floor, the Genio follows a well-established cooking tradition for thousands of years: using the natural properties of soapstone for exceptional cooking results —endlessly delighting your guests.



Counter Top Oven



Rolling Base

Use the rolling base to extend your outdoor kitchen.

Features

Genius Design

With unique features like a front prep shelf, a surface heat thermometer, and a one-handed front door with side storage hooks, the Genio will surpass all of your expectations.

Soapstone Floor

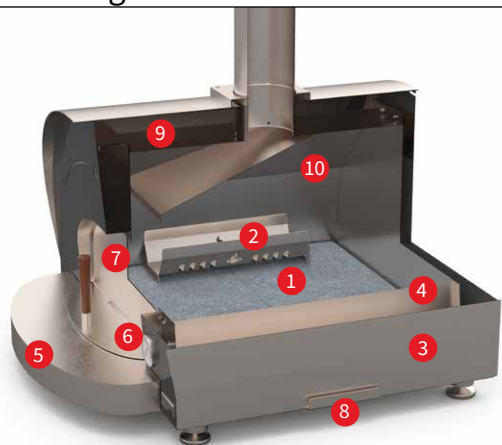
Genio's thick soapstone floor gives a consistent and reliable even heat for everything on your menu. Soapstone will hold its heat longer than regular fire bricks, giving you more cooking time from less wood. So go ahead and put that dessert casserole in while you're enjoying dinner!

Made in Vermont

In a world where it's getting harder to appreciate American engineering and manufacturing, the HearthStone Outdoor Genio stands alone. Genio is designed and manufactured in the Green Mountains of Vermont, USA.

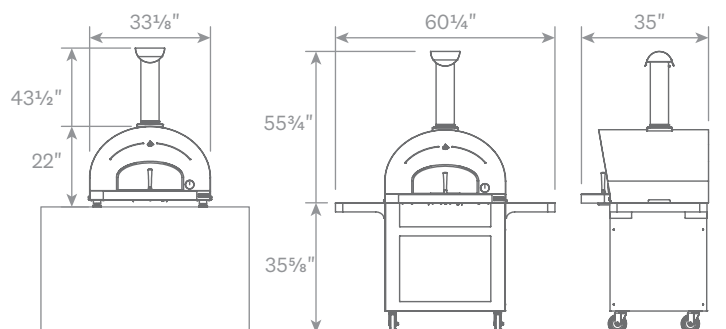


Oven Design



1. Soapstone cooking surface - 4 square feet of cooking space. - Soapstone stores 3 times more heat than a typical pizza oven brick, maintaining even long-lasting heat.
2. Log rack - Elevates the fire for a consistent burn.
3. 304 stainless steel outer chassis - Weather-ready.
4. 439 burner grade stainless steel inner chassis - Built for a long product life.
5. Large front shelf - A convenient space for managing everything going into or coming out of the oven.
6. Thermometer - Located near the cooking surface.
7. One-handed removable door - Frees the second hand.
8. Hook for storing the door - Install on either side.
9. Ceramic insulation on all sides - Quick heat-up and safer surface temperatures.
10. Our GeniusFlow™ oven chamber - Traps heat and prevents flame spillage.

Dimensions



Specifications

Fuel	Wood
Heat Up Time	14 min
Oven Temp.....	Up to 750 F**
Weight, Counter Top	220 lbs.
Weight, Freestanding	375 lbs.
Oven Capacity	4.0 sq. ft.
Clearance, Back & Side.....	8 inches *

Finish



Stainless Steel & Black Powder Coat

* Always refer to the HearthStone Owner's Manual and the local authority having jurisdiction in your area for the specific installation requirements for your product.

** Recommended maximum temperature.

Accessories

PIZZA OVEN

Rolling Base

901-4010

Extend your outdoor kitchen with a rolling base. Wheel the pizza oven wherever the gathering happens.

Stainless steel side panels with black powder coated shelves compliment the style of the pizza oven. Two storage shelves and locking caster wheels turn your Genio Pizza Oven into a mobile kitchen.



Side Shelf

5140-1260

Add optional stainless steel side shelves for more prep space. Mount to either side of the Rolling Base. Sold individually.



Shown with 1 optional side shelf, tool rack and tool set

Tool Rack

902-0023

Designed for the Pizza Oven with organization in mind, the tool rack holds the 3-piece tool set and provides hooks for hanging additional items.

The rack attaches to the side of the rolling base or to the ends of the side shelves. It can also be mounted to a wall or outdoor kitchen island.

Pizza Oven Tool Set

902-0013

Manufactured in Italy, this commercial grade tool set includes a turner, a peel, and a heavy duty brush.

These super light tools are the finest quality available today. Made from anodized aluminum and stainless steel.



Pizza Turner

This stainless steel perforated peel is light and highly heat resistant. The sliding grip is great for maneuvering pizzas inside the oven.

Oven Brush

A rotating wooden head with brass bristles and stainless steel scraper makes for fast and efficient cleaning of the cooking surface.

Large Pizza Peel

The large aluminum peel is sturdy and light-weight. The perforation ensures low friction and releases flour preventing it from sticking to the bottom of the pizza.



HearthStone Apron

CL-APRON-BLK

Keep clean while you cook in our full-length apron. The wrinkle-resistant fabric blends performance with style.



Sueded Leather Gloves

99-99031

Durable and dependable, our full size leather safety gloves are thick and protective, with a soft inner lining.



Infrared Thermometer

7200-540

Take the guess work out of cooking. The infrared thermometer gives you an accurate temperature of the cooking surfaces or the food you're cooking.

Note: Color may vary.



Weather Cover

904-3213

A breathable fabric cover for your pizza oven. The easy-off chimney must be removed to use this cover. Use the cinch cord and buckle straps at each corner to secure the cover in place. The front vent is lined with mesh to allow airflow. Comes in a fabric bag for easy storage.

Fire Pits

Bring the fire of the night sky down into your own backyard with our family of fire pits. Part of the unique sophistication of the HearthStone Outdoor fire pits is the optional cooking rings, providing either soapstone, griddle or grill cooking options.



Meteor Fire Pit Grill

Zenith Fire Pit Grill

Cosmo Fire Pit

Gather Around a Memory

Constructed of the finest European Cast iron, HearthStone Outdoor fire pits are meant to last for a lifetime of memories. So, invite the neighborhood over and start enjoying the moments.





Zenith

FIRE PIT GRILL Model 810-2510

Our Zenith Pit Grill is the perfect height for standing, socializing and cooking. The 38" round Zenith is easy to customize with optional cooking rings, transforming your fire pit into an amazing grill, as well as a showpiece for your gatherings!



The Zenith includes the fire pit, fire grates, Zenith base, and stainless steel cover. Add a cooking ring to complete your fire pit grill.

See the customize page for details about cooking rings. Tools and tool hooks not included.



Fire pit cover

The included stainless steel cover will keep the weather out in any season.

Features

Harness The Fire

Use the Zenith to prepare a meal for a crowd! Choose from grill or griddle cooking rings for true versatility in your meal prep! Our LoSmoke™ Technology keeps the fire burning strong.

Easy To Use And Clean

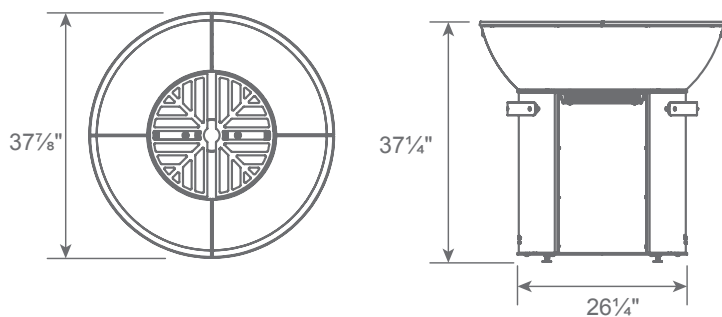
Arrange the fire and coals to control the temp of your grill. Once you're finished cooking, the enameled cooking ring cleans up easily. Wood and utensil storage is convenient in the standing base.

Quality Construction

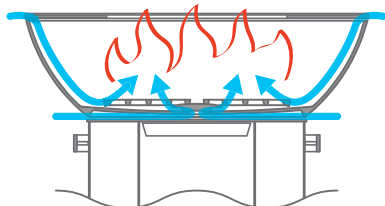
Designed to last a lifetime, the fire bowl is made of thick cast iron in our Spanish foundry. The Zenith will continue to delight for years.



Dimensions



LoSmoke™ Technology



Superior air flow:
The fire grate in the bottom of the fire pit has been designed to smartly move air in the most efficient pattern.

Fire is fed from below:
The elevated bowl takes in oxygen in a controlled way from under the fire pit.

Controlled air movement means controlled smoke:
Enjoy the fire more when smoke is reduced and deliberately moved in a pattern.

Installation

- The fire pit should be installed at least 10 ft. from any structure or neighboring yard, more is preferable.
- Do not position the fire pit under a covered porch or low hanging tree branches.
- Always place a fire pit on a non-flammable surface, such as patio blocks or concrete.
- Burn only natural firewood.

Specifications

Fuel	Wood or Charcoal
Fire Pit Bowl.....	Cast Iron
Zenith Base.....	Heavy Gauge Steel
Weight.....	420 lbs*

*Includes the fire pit, fire grate, Zenith base, and griddle cooking ring

Finish

Fire Pit Finish	High Temp Coating
Zenith Base Finish	Powder Coating
Cooking Ring Finish	Food Grade Enamel

Always refer to the HearthStone Owner's Manual and the local authority having jurisdiction in your area for the specific installation requirements for your product.

Meteor

FIRE PIT GRILL Model 810-1510

The Meteor Pit Grill is perfect for kicking back and relaxing with friends. The 38" round Meteor sits on a low, sturdy base and will easily be the heart of your backyard. The wide, open top provides 360-degree view of the fire.



The Meteor includes the fire pit, fire grates, Meteor base, and stainless steel cover. Add a cooking ring to complete your fire pit grill.

Shown with a combination cooking ring and soapstone grill stones. See the customize page for details about cooking rings.



Fire pit cover

The included stainless steel cover will keep the weather out in any season.

Features

Harness The Fire

The Meteor lets everyone gather around the pit and help cook a part of the meal, while relaxing! Choose from grill or griddle cooking rings for true versatility in wood-fire cooking! Our LoSmoke™ Technology keeps the fire burning strong.

Easy To Use And Clean

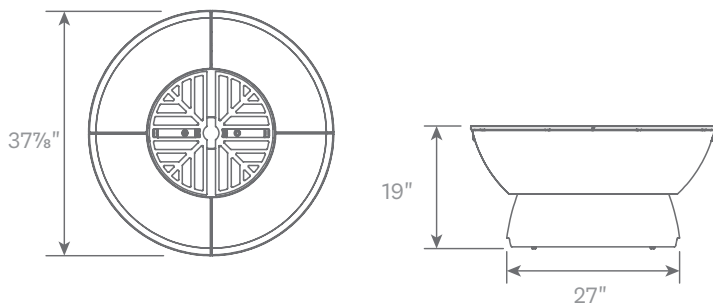
Arrange the fire and coals to control the temp of your grill. Once you're finished cooking, the enameled cooking ring cleans up easily.

Quality Construction

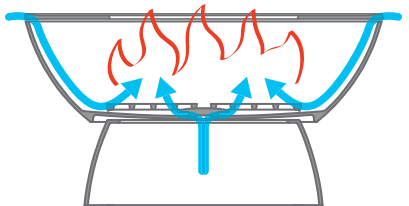
The Meteor fire pit is built to last a lifetime. The fire pit, cooking rings and base are all constructed from solid cast iron parts produced in our Spanish foundry.



Dimensions



LoSmoke™ Technology



Superior air flow:
The fire grate in the bottom of the fire pit has been designed to smartly move air in the most efficient pattern.

Fire is fed from below:
The elevated bowl takes in oxygen in a controlled way from under the fire pit.

Controlled air movement means controlled smoke:
Enjoy the fire more when smoke is reduced and deliberately moved in a pattern.

Installation

- The fire pit should be installed at least 10 ft. from any structure or neighboring yard, more is preferable.
- Do not position the fire pit under a covered porch or low hanging tree branches.
- Always place a fire pit on a non-flammable surface, such as patio blocks or concrete.
- Burn only natural firewood.

Specifications

Fuel	Wood or Charcoal
Fire Pit Bowl.....	Cast Iron
Meteor Base.....	Cast Iron
Weight.....	300 lbs*

*Includes fire pit, fire grate, Meteor base, and grill cooking ring

Finish

Fire Pit Finish	High Temp Coating
Meteor Base Finish	High Temp Coating
Cooking Ring Finish	Food Grade Enamel

Always refer to the HearthStone Owner's Manual and the local authority having jurisdiction in your area for the specific installation requirements for your product.

Customize

Choose from 3 different cooking surfaces to create your ideal cooking experience.

Griddles, grills and soapstone grill stones sold in 2-piece sets. Order 2 cast iron sets to make a complete cooking ring.



Cast Iron Grill Quarters 912-3840

- Heavy iron grills with excellent heat retention, good for searing meats to seal in flavor.
- Finished with durable food grade enamel.
- Accessory includes 2 grill quarters.



Cast Iron Griddle Quarters 912-3841

- The flat cast iron surface provide the versatility of a cast iron frying pan plus that wood fired flavor.
- Finished with durable food grade enamel.
- Accessory includes 2 griddle quarters.



Soapstone Grill Stones 1141-380

- Solid pieces of soapstone with superior heat retention fit perfectly on top of a grill quarter.
- Cook meats and veggies evenly without flare-ups.
- Accessory includes 2 stones which will cover one grill quarter.
- Grill stones require a full cast iron cooking ring.



Cooking Ring Options

Combination Cooking Ring

- 2 Grill quarters: 912-3840 x1
- 2 Griddle quarters: 912-3841 x1



Griddle Cooking Ring

- 4 Griddle quarters: 912-3841 x2



Grill Cooking Ring

- 4 Grill quarters: 912-3840 x2



Soapstone Grill Stones

- 2 grill stones: 1141-380 x1
- Note: A cooking ring is required to use the grill stones.



Cosmo

FIRE PIT Model 810-4558

The Cosmo is the newest addition to the HearthStone Outdoor family of fire pits. With a 24" circumference, the Cosmo is a great size for smaller spaces. It also features a low base and a black enameled linear texture for a truly unique look and incredible durability.



The Cosmo includes the fire pit, fire grate, Cosmo base, and stainless steel cover.



Fire pit cover

The included stainless steel cover will keep the weather out in any season.

Features

Harness The Fire

The Cosmo's petite footprint makes it perfect for smaller backyards and more intimate gatherings.

The linear texture of the cast iron bowl adds a distinctive style and highlights the quality of the fire pit.

Easy To Burn

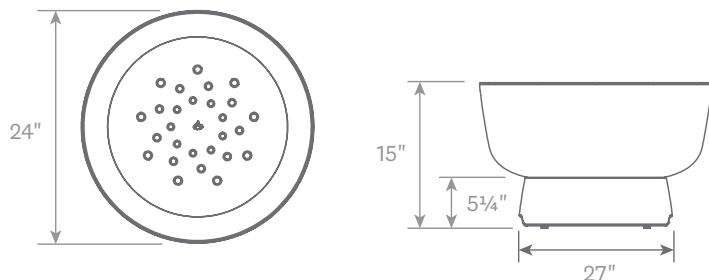
The cast iron base lifts the fire pit off the ground to a nice viewing height. Our LoSmoke™ Technology uses a cast iron fire grate that elevates the fire within the bowl to keep it burning through the evening.

Cast Iron Quality

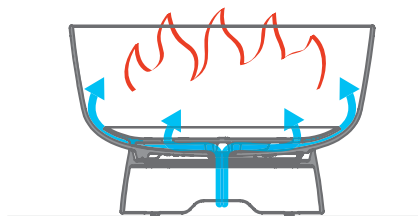
Our fire pits are built to last for years. Constructed from solid cast iron parts produced in our Spanish foundry, the Cosmo is finished with an extremely durable enamel to withstand the elements.



Dimensions



LoSmoke™ Technology



Superior air flow:
The fire grate in the bottom of the fire pit has been designed to smartly move air in the most efficient pattern.

Fire is fed from below:
The elevated bowl takes in oxygen in a controlled way from under the fire pit.

Controlled air movement means controlled smoke:
Enjoy the fire more when smoke is reduced and deliberately moved in a pattern.

Installation

- The fire pit should be installed at least 10 ft. from any structure or neighboring yard, more is preferable.
- Do not position the fire pit under a covered porch or low hanging tree branches.
- Always place a fire pit on a non-flammable surface, such as patio blocks or concrete.
- Burn only natural firewood.

Specifications

Fuel	Wood or Charcoal
Fire Pit Bowl.....	Cast Iron
Cosmo Base.....	Cast Iron
Weight.....	120 lbs*

*Includes fire pit, fire grate, and Cosmo base

Finish

Fire Pit Finish	Black Enamel
Cosmo Base Finish	Black Enamel

Always refer to the HearthStone Owner's Manual and the local authority having jurisdiction in your area for the specific installation requirements for your product.

Outdoor Griddles

Get true flexibility in your outdoor grilling! Popular in Mediterranean cooking, HearthStone Outdoor griddles can easily cook up healthy and delicious foods without the carbon resulting from cooking over direct fire. From burgers to fish to chopped veg, fried rice and even your Sunday brunch, HearthStone Outdoor Griddles will deliver the premium experience you are seeking.



Brabura 32

Brabura 40

Brabura 22

Take The Party Outside

HearthStone Outdoor Griddles are made to keep pace with your party in any weather. Our fully enameled cast iron griddle is built for a lifetime of performance, no matter the season. The gas burners are completely enclosed and shielded from rain and moisture, and the handy, attached stainless steel lid adds an extra layer of protection to flawlessly extend the life of your outdoor griddle.





Brabura 40

GRIDDLE Model 830-3852

The HearthStone 40 inch Outdoor Griddle brings all the neighbors to your yard—for a celebration! With 648 square inches of surface cooking area, the only limit to your menu is your imagination.



Rolling Base

Extend your outdoor kitchen with a rolling base for your griddle. Wheel the griddle to wherever the party happens.



Built-in Griddle

The griddle can be built in to any non-combustible outdoor kitchen. A Build-in Liner is available for installation into combustible counters. See the griddle accessories.

Features

Enameled Cast Iron

The enameled cast iron griddle has incredible heat retention properties. It sears foods perfectly and distributes heat for even cooking. The enameled surface is durable, non-stick, and cleans up easily.

High Quality Construction

The chassis and lid are constructed from heavy duty 304 stainless steel for easy cleaning and corrosion resistance.

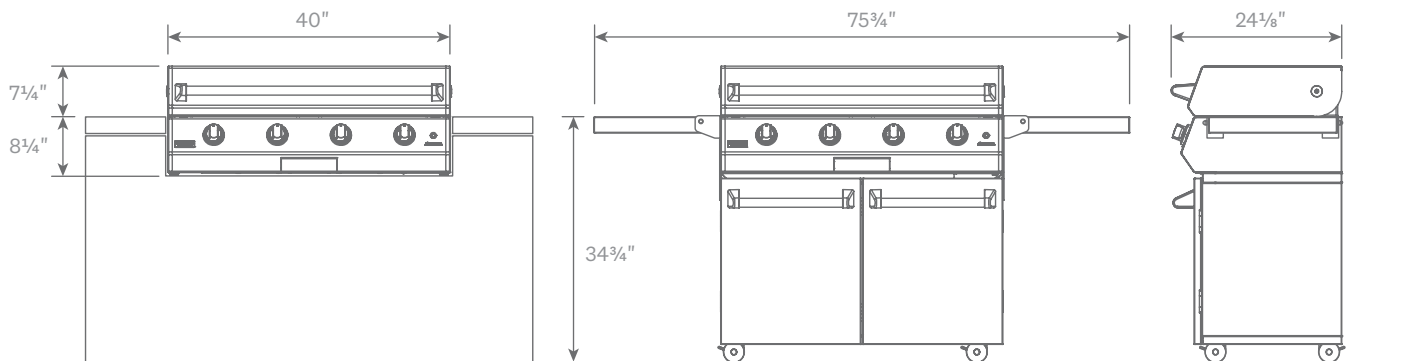
The 304 stainless steel burner tubes are long-lasting and dependable.

Exceptional Design

Independent burners provide different heat zones. Robust LED control knobs show when burners are lit. The convenient drain at the front of the griddle leads to a pull-out grease tray for quick and easy clean-up.



Dimensions



Built-in installations, minimum cutout dimensions

Non-combustible enclosure8-1/4" H x 40-1/16" W x 19-11/16" D
 Combustible enclosure using the Build-In Liner 8-9/16" H x 42" W x 19-15/16" D

HearthStone Outdoor enameled cast iron holds its heat exceptionally well. The Griddle should not be located closer than 24" to any adjacent combustible surface. Use the HearthStone Outdoor Build-in Liner for installation into a combustible enclosure. Allow 24" from the sides and rear to combustible construction while in operation. Please check your local codes.

Specifications

Griddle MaterialEnameled Cast Iron
 Griddle surface dimensions37" x 17 1/2"
 Griddle area 648 sq in
 Burger count 27
 Exterior Material 304 Stainless Steel
 Burner Material 304 Stainless Steel
 Configurations Built-in / Counter top / Rolling Base

Fuel type LP
 Fuel conversion to NG Kit Included
 Number of burners 4
 BTUs per burner 9000 BTUs
 Total surface BTUs 36000 BTUs
 Ignition type Continuous Spark
 Control Knobs LED-lit, orange / white

Note: Always refer to the HearthStone Owner's Manual and the local authority having jurisdiction in your area for the specific installation requirements for your product.

Brabura 32

GRIDDLE Model 830-3052

The HearthStone 32 inch Outdoor Griddle has over 500 square inches of cooking area, giving you lots of options when it comes to delighting your crowd.



Rolling Base

Extend your outdoor kitchen with a rolling base for your griddle. Wheel the griddle to wherever the party happens.



Built-in Griddle

The griddle can be built in to any non-combustible outdoor kitchen. A Build-in Liner is available for installation into combustible counters. See the griddle accessories.

Features

Enameled Cast Iron

The enameled cast iron griddle has incredible heat retention properties. It sears foods perfectly and distributes heat for even cooking. The enameled surface is durable, non-stick, and cleans up easily.

High Quality Construction

The chassis and lid are constructed from heavy duty 304 stainless steel for easy cleaning and corrosion resistance

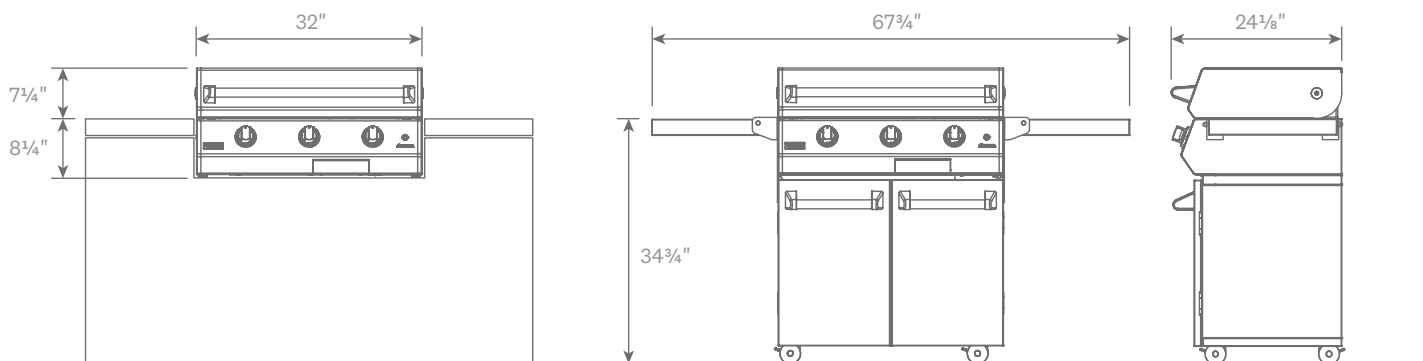
The 304 stainless steel burner tubes are long-lasting and dependable.

Exceptional Design

Independent burners provide different heat zones. Robust LED control knobs show when burners are lit. The convenient drain at the front of the griddle leads to a pull-out grease tray for quick and easy clean-up.



Dimensions



Built-in installations, minimum cutout dimensions

Non-combustible enclosure8-1/4" H x 32-1/16" W x 19-11/16" D
 Combustible enclosure using the Build-In Liner 8-9/16" H x 34" W x 19-15/16" D

HearthStone Outdoor enameled cast iron holds its heat exceptionally well. The Griddle should not be located closer than 24" to any adjacent combustible surface. Use the HearthStone Outdoor Build-in Liner for installation into a combustible enclosure. Allow 24" from the sides and rear to combustible construction while in operation. Please check your local codes.

Specifications

Griddle MaterialEnameled Cast Iron
 Griddle surface dimensions29" x 17 1/2"
 Griddle area 508 sq in
 Burger count 22
 Exterior Material 304 Stainless Steel
 Burner Material 304 Stainless Steel
 Configurations Built-in / Counter top / Rolling Base

Fuel type LP
 Fuel conversion to NG Kit Included
 Number of burners 3
 BTUs per burner 9000 BTUs
 Total surface BTUs 27000 BTUs
 Ignition type Continuous Spark
 Control Knobs LED-lit, orange / white

Note: Always refer to the HearthStone Owner's Manual and the local authority having jurisdiction in your area for the specific installation requirements for your product.

Brabura 22

GRIDDLE Model 830-2052

The HearthStone 22 inch Outdoor Griddle is the smallest in the HearthStone Outdoor family of griddles, but still large enough to entertain family and friends.



Rolling Base

Extend your outdoor kitchen with a rolling base for your griddle. Wheel the griddle to wherever the party happens.

Built-in Griddle

The griddle can be built in to any non-combustible outdoor kitchen. A Build-in Liner is available for installation into combustible counters. See the griddle accessories.

Features

Enameled Cast Iron

The enameled cast iron griddle has incredible heat retention properties. It sears foods perfectly and distributes heat for even cooking. The enameled surface is durable, non-stick, and cleans up easily.

High Quality Construction

The chassis and lid are constructed from heavy duty 304 stainless steel for easy cleaning and corrosion resistance

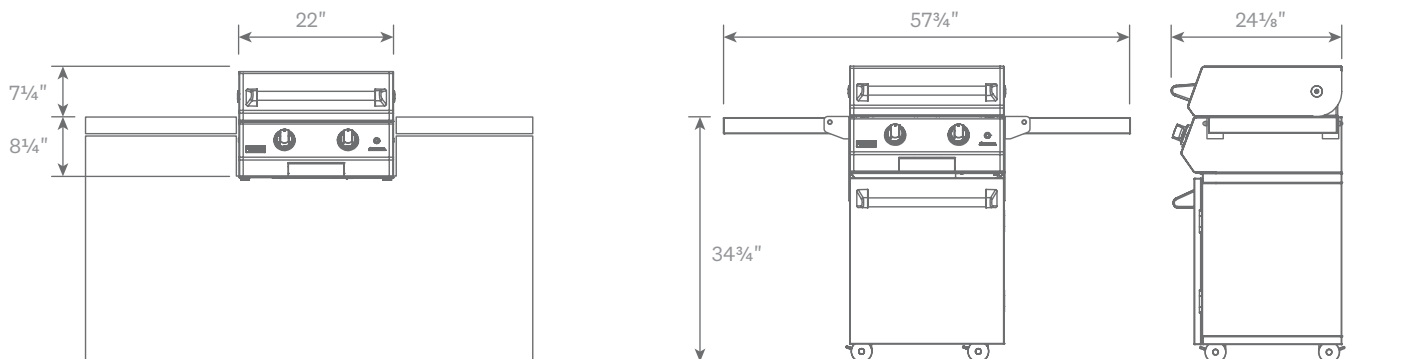
The 304 stainless steel burner tubes are long-lasting and dependable.

Exceptional Design

Independent burners provide different heat zones. Robust LED control knobs show when burners are lit. The convenient drain at the front of the griddle leads to a pull-out grease tray for quick and easy clean-up.



Dimensions



Built-in installations, minimum cutout dimensions

Non-combustible enclosure 8-1/4" H x 22-1/16" W x 19-11/16" D
 Combustible enclosure using the Build-In Liner 8-9/16" H x 24" W x 19-15/16" D

HearthStone Outdoor enameled cast iron holds its heat exceptionally well. The Griddle should not be located closer than 24" to any adjacent combustible surface. Use the HearthStone Outdoor Build-in Liner for installation into a combustible enclosure. Allow 24" from the sides and rear to combustible construction while in operation. Please check your local codes.

Specifications

Griddle Material Enameled Cast Iron
 Griddle surface dimensions 19" x 17 1/2"
 Griddle area 333 sq in
 Burger count 16
 Exterior Material 304 Stainless Steel
 Burner Material 304 Stainless Steel
 Configurations Built-in / Counter top / Rolling Base

Fuel type LP
 Fuel conversion to NG Kit Included
 Number of burners 2
 BTUs per burner 9000 BTUs
 Total surface BTUs 18000 BTUs
 Ignition type Continuous Spark
 Control Knobs LED-lit, orange / white

Note: Always refer to the HearthStone Owner's Manual and the local authority having jurisdiction in your area for the specific installation requirements for your product.

Griddle Features

Our family of griddles make it easy to extend the heart of your home right into the backyard. They're made for hours of food and fun in any weather, and will give you true versatility in the foods you are able to prepare.



Features

- 1. Solid Cast Iron Griddle**
 - Exceptional heat retention properties and excellent heat transference, providing perfect distribution of heat across the griddle.
 - High quality European cast iron, produced in our own foundry in Spain.
 - Covers the burners keeping them free from grease for many years of use.
- 2. Black Enamel Cooking Surface**
 - The non-stick cooking surface sears meats and veggies perfectly.
 - The hard, durable surface is best used with stainless steel cooking tools.
 - Easy to clean, the enameled surface maintains its shine.
 - The clean surface does not retain any residual flavor
 - No seasoning required.
- 3. Built-in Weather Lid**
 - Not for use while cooking.
 - Close the lid after use to protect the griddle.
- 4. Grease Drain**
 - Move cooking residue to the grease drain during cleanup to collect in the grease tray.
- 5. Grease Tray**
 - Catches the residue from the grease drain for easy cleanup.
- 6. Independent Zone Burners**
 - Create different heat zones across the griddle.
 - 304 stainless steel construction.
- 7. 304 Stainless Steel Chassis**
 - Weather resistant construction.
- 8. LED Burner Control Knobs**
 - Glow orange when the burner is lit to let you know it's on.
 - Continuous spark ignition.
- 9. LED On/Off Button**
 - Activates the knob and button lights.
- 10. Battery Access**
 - Burner ignition is battery powered.
 - LED knob lights are powered by a separate battery pack.
 - Optional AC adapter available for the LED lights.

Accessories



Rolling Bases

For the Brabura 40: 931-3815

For the Brabura 32: 931-3015

For the Brabura 22: 931-2015

Extend your outdoor kitchen with a rolling griddle. Wheel the griddle wherever the gathering happens.

All stainless steel construction. Collapsible side shelves. Locking caster wheels. Fully enclosed storage space.



Build-in Liners

For the Brabura 40: 933-38900

For the Brabura 32: 933-30900

For the Brabura 22: 933-20900

The HearthStone Build-in Liner has been specifically designed and tested for installing our Outdoor Griddles into a combustible enclosure. All stainless steel construction. Refer to the griddle owner's manual for full installation details.



Cooking Covers

12" Stainless & Glass: 932-00170

12" Stainless Steel: 932-00180

8" Stainless Steel: 932-00160

Cook thick cuts of meat, steam veggies, and quickly melt cheese on burgers using a cooking cover. The covers seal against the cooking surface to trap heat and moisture.

Stainless steel construction with heat resistant handles that stay cool to the touch.



Fabric Covers, Griddle & Base

For the Brabura 40: 934-3810

For the Brabura 32: 934-3010

For the Brabura 22: 934-2010

Breathable fabric weather covers.

Covers the griddle and rolling base.



Fabric Covers, Built-in Griddles

For the Brabura 40: 934-3800

For the Brabura 32: 934-3000

For the Brabura 22: 934-2000

Breathable fabric weather covers. Covers the griddle in built-in installations or on a counter top.



Spatula Set

932-00100

These premium stainless steel tools work great for both cooking and cleaning the griddle.

Includes 1 scraper and 1 turner.



Infrared Thermometer

7200-540

Take the guess work out of cooking. The infrared thermometer gives you an accurate temperature of the cooking surfaces or the food you're cooking.

Note: Color may vary.



HearthStone Apron

CL-APRON-BLK

Keep clean while you cook in our full-length apron. The wrinkle-resistant fabric blends performance with style.

The apron features heavy-duty leather accents and a front pocket.



AC Adapter, Lights

933-00240

Connect your Outdoor griddle to a standard AC outlet to power the LED control knob lights.

Fits the Brabura 40, Brabura 32, and Brabura 22 Outdoor Griddles.



www.hearthstoneoutdoor.com

HearthStone Quality Home Heating Products, Inc.
317 Stafford Avenue, Morrisville, Vermont 05661 USA