

# H5 + H6

---

LARGE FIREPLACES



NEW V-CLASS BURNER MAXIMIZES  
RADIANT HEAT TECHNOLOGY.

**Valor**  
Radiant  
Gas Fireplaces

# THE SCIENCE OF WARMTH™

Since 1890, we've been pioneering and perfecting radiant heat technology that generates constant, comfortable warmth within your home.

## RADIANT HEAT

We put radiant warmth into every fire. You can feel it.

## REALISTIC LOGS

High definition, low mass fiber ceramic logs heat up and glow quickly, radiating warmth.

## CERAMIC GLASS

Durable and robust ceramic glass improves radiant performance.

## ALUMINIZED STEEL

Lightweight, high temperature aluminized steel firebox delivers efficient warmth and prevents rust and wear.

## ADJUSTABLE HEAT

Adjustable flame for constant, even warmth without having to cycle the fire on and off.

Proudly Made  
in North America

### ON COVER:

H6  
BIRCH 1400BLK  
PLAIN BLACK LINER 1460PBL  
CLEAN INSTALL KIT 1430CIK





### V-CLASS BURNER

The high temperature precision stainless steel of our new V-Class burner creates a new level of radiant fire and aesthetics.

### CONVECTIVE HEAT

Secondary heat exchanger naturally improves convective heat—without a fan.

### ENHANCED FLAME

Our fires create realistic, soothing flames and ambient glowing embers that radiate heat.

### EFFICIENCY

Radiant heat and zone heating technology are up to 30% more efficient than central forced air systems.

### HeatShift™ SYSTEM

Valued artwork, a TV or construction materials stay cooler despite the heat of our fireplaces.

### SAFETY

Our fires are put through rigorous safety testing in our in-house CSA approved lab.

H6 Traditional Logs

Please Note: Printed images may vary from actual product. All product information is accurate at time of printing and is subject to change. For more visit [valorfireplaces.com](http://valorfireplaces.com)

## H5

A large format fireplace, compact in design, with a generous viewing area—fits where the H6 can't.



H5  
TRADITIONAL LOGS 1100LSK  
FLUTED BLACK LINER 1125FBL  
FIXED FRAME KIT 1130FFK

## NEW H5 BIRCH

### 1 H5 LOGS

We designed these expertly crafted fire beds as realistic-looking as possible, and engineered them to harness radiant heat from the flames and glowing embers.





**NEW H5 TRADITIONAL LOGS**



**NEW H5 DRIFTWOOD**





**H6**  
**BIRCH 1400BLK**  
**FLUTED BLACK LINER 1425FBL**  
**CLEAN INSTALL KIT 1430CIK**  
**HEATSHIFT 38" LDK4 + LDK5**

**NEW H6 BIRCH**

## **1 H6 LOGS**

For more images of our logs and videos of their fires, go to [valorfireplaces.com](http://valorfireplaces.com) or to see in person, visit your local Valor dealer.





**NEW** H6 TRADITIONAL LOGS



**NEW** H6 DRIFTWOOD





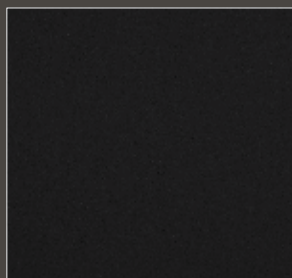
**H6**  
**TRADITIONAL LOGS** 1400LSKV2  
**RED BRICK LINER** 1410VRL  
**CLEAN INSTALL KIT** 1430CIK

## 2 LINERS

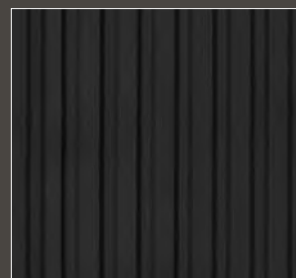
A liner can change the whole look of a fireplace and fire. Consider a firebox liner that complements your front as well as your fire bed.

Visit your local authorized Valor dealer to see a liner in person, or go to [valorfireplaces.com](http://valorfireplaces.com)

PLAIN BLACK



FLUTED BLACK





## LINERS

Liners may vary in appearance, depending on whether the fire is on or off, and what fire bed you choose.



REFLECTIVE GLASS



HERRINGBONE



RED BRICK



LEDGESTONE



Consider the style of the room, the fire bed and liner when choosing a front.



H6  
DRIFTWOOD 1400DWKV2  
PLAIN BLACK LINER 1460PBL  
FIXED FRAME KIT 1430FFK

### 3 FRONTS

We offer a selection of premium fronts for your fireplace. See more examples at your local Valor dealer or go to [valorfireplaces.com](http://valorfireplaces.com)

#### H5 EDMONT CRAFTSMAN FRONTS

These fronts are exclusive to the H5 fireplace.



H5  
AGED STEEL



H5  
PEWTER



CLEAN INSTALL KIT



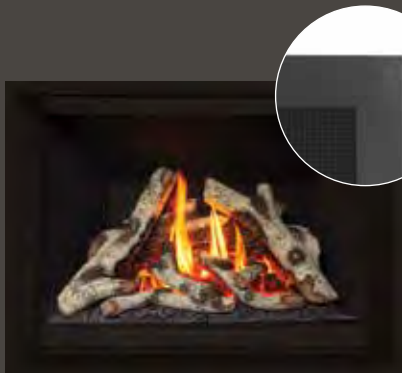
Design your  
fireplace in our  
Design Center



### H5 + H6 FRONTS

These styles are available on both the H5 and H6 fireplaces.

*This floating front sits  
proud of the wall by 1/2".*



**FIXED FRAME KIT**



**3-SIDED BLACK**



**4-SIDED BLACK**

## ZERO CLEARANCE (ZC)

Always a great addition to your new home or major reno. H5 OK as an insert too!



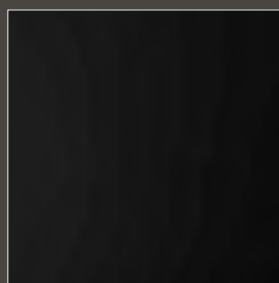
H5  
BIRCH 1100BLK  
PLAIN BLACK LINER 1160PBL  
CRAFTSMAN AGED STEEL 1184ECAS

## FINISHES

Whether it's a powder-coated or plated trim, our finishes are made to last.

Ask your Valor dealer to see a finish sample in person.

BLACK



CRAFTSMAN PEWTER



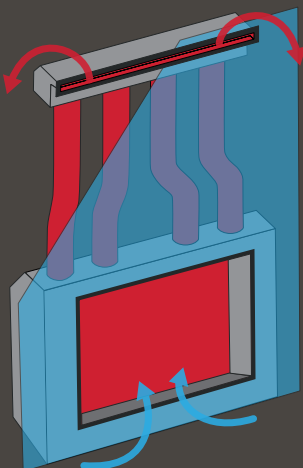
CRAFTSMAN AGED STEEL







# HEAT SHIFT™



**H6**  
**TRADITIONAL LOGS** 1400LSKV2  
**PLAIN BLACK LINER** 1460PBL  
**CLEAN INSTALL KIT** 1430CIK  
**HEATSHIFT 48"** LDK1 + LDK2

## KEEPS WALL COOLER

Pioneered by Valor, our unique HeatShift System naturally circulates up to 125 cubic feet of convective heat per minute through hidden ducts and back into the room—avoiding surface areas above the fireplace.

## DESIGN FLEXIBILITY

Run standard finishing materials right up to the fireplace surround, including drywall, wood, tile and stone. Install mantels lower than usual at a one-to-one ratio of depth to height from the fireplace surround.



Find out more at  
[valorfireplaces.com/heatshift](http://valorfireplaces.com/heatshift)



#### **IMPROVES PERFORMANCE**

Harnessing convective warmth, up to 60% of fireplace heat rises and flows through HeatShift and back into the room. The remaining heat radiates from the fireplace, keeping you warm.

#### **NO ELECTRICITY REQUIRED**

HeatShift circulates heat naturally using gravity and Valor product ingenuity—no need for a fan or electricity. No power—no problem.

#### **CONSTRUCTION MADE EASY**

Unlike many competing products, Valor fully ducts HeatShift for clean, safe air quality. HeatShift is built and designed in North America for North American homes, meeting building code requirements.

Do everything you can do with your Valor 10 remote—and more—with our Valor 10 app.

Child Proof your remote for safety and ease.

Accurately knows the current temperature of your room.

Set the timer to turn the fireplace off up to 9 hours ahead.

Set the temperature for specific times of the day.

Program your fireplace to turn on and off when you want at the temperature you want.



The Remote Battery and Wall Switch kit comes standard with all Valor 10 remotes. The kit lets you control your fireplace and gives you easy access to your fireplace's receiver batteries.

## VALOR 10: REMOTE

### VALOR 10 REMOTE CONTROL **NEW**

Standard with the H5 and H6, Valor's new interactive remote control has up-to-the-moment information on the state of your fireplace—such as temperature and other customizable settings. To find out more, go to [valorfireplaces.com/remote](http://valorfireplaces.com/remote)

Learn more about our remotes:







### TAKE COMPLETE CONTROL

Increase or decrease flame height to find the perfect ambiance. Use the color wheel to find the ideal temperature setting.



### PROGRAM ON THE GO

Program days, times and temperature settings to match your lifestyle.

Set a countdown timer so your fireplace shuts off automatically.

### CONTROL FEATURES

If you have a fan, set the speed of the fan from low to high.

In the H6, you can adjust the fireplace's lighting too.

### SAVE ON ENERGY COSTS

Save energy while enjoying a changing, realistic flame with ECO mode.



Choose time and the percentage of energy saved is shown in the circle/leaf.

# VALOR 10: APP

## VALOR 10 APP **NEW**

The Valor 10 remote pairs with the Valor 10 App so you can control your fireplace with your smartphone. To find out more, go to [valorfireplaces.com/valor10](http://valorfireplaces.com/valor10)





**H5**  
**BIRCH** 1100BLK  
**FLUTED BLACK** 1125FBL  
**FIXED FRAME KIT** 1130FFK



# ENERGY EFFICIENCY

## EFFICIENCY RATINGS

While the North American fireplace industry is largely self-regulated, at Valor we use recognized Canadian and US government testing methods to determine our energy efficiencies, and ensure our products perform in your home as rated. All our fireplaces are available as natural gas or propane.

## SECONDARY HEAT EXCHANGER

The built-in Secondary Heat Exchanger naturally improves convective heat—removing the need for a fan. Your fire will heat up fast for immediate comfort—and with no need for electricity, you'll save money.

To find out more, visit [valorfireplaces.com/efficiency](http://valorfireplaces.com/efficiency)



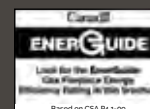
<b>H5 1100MN/MP</b>	
EnerGuide	71%
High	30,000
Low	16,000
Max Output*	22,857

<b>H6 1400MN/MP</b>	
EnerGuide	71%
High	36,000
Low	18,500 NG   15,000 Propane
Max Output*	22,857

Find out more about Valor's energy efficiency



\*EnerGuide ratings and outputs have been determined without a fan/blower, using the CSA P.4.1-15 test method.  
 Certified to ANSI Z21.88/CSA 2.33 Vented Gas Fireplace Heater American National Standard. CGA-2.17-91 Gas Fired Appliances for use at High Altitudes.

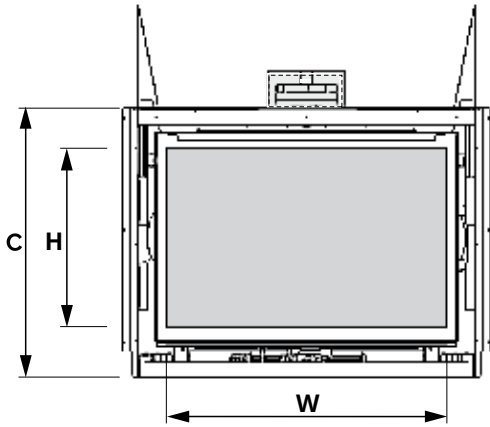




H5  
DRIFTWOOD 1100DWK  
HERRINGBONE LINER 1175HBL  
FIXED FRAME KIT 1130FFK

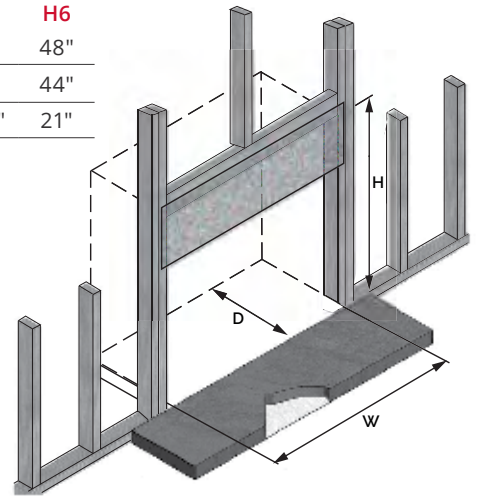


# DIMENSIONS

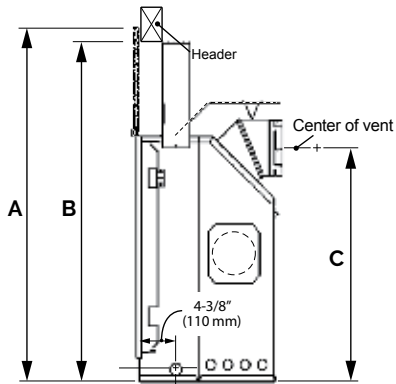


	H5	H6
W	30"	36½"
H	19¼"	25½"
C	29"	34½"

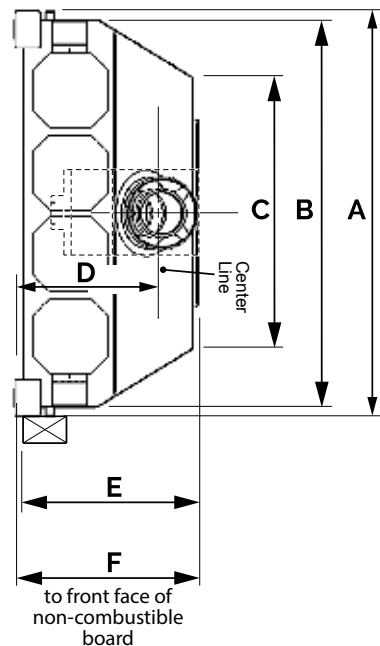
	H5	H6
H	40"	48"
W	38"	44"
D	17½"	21"



ALWAYS REFER TO THE  
INSTALLATION MANUAL FOR  
COMPLETE INSTRUCTIONS.  
[valorfireplaces.com/manuals](http://valorfireplaces.com/manuals)

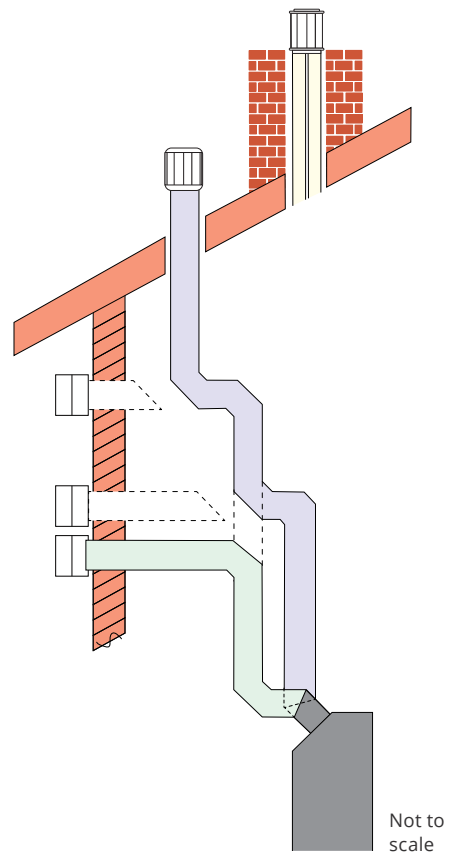


	H5	H6
A	41½" min.	49½" min.
B	40"	48"
C	27½"	32¾"



	H5	H6
A	38"	43¾"
B	36½"	42¼"
C	25¼"	27¾"
D	13¾"	15¾"
E	17½"	20¾"
F	18"	21¾"

H5 ONLY



- Total length of vent pipe can't exceed 40 feet.
- Minimum vent rise after first elbow:  
H5, 12" minimum; H6, 24" minimum.
- Maximum of 4 x 90 degrees elbows or equivalent (2 x 45 degrees—90 degrees).
- Colinear venting into existing chimneys with H5.

# OPTIONS

## DIRECT VENT ENGINE

	<u>H5</u>	<u>H6</u>
Natural Gas	1100MN	1400MN
Propane	1100MP	1400MP

## ① FIRE BEDS

<b>New</b> Birch	1100BLK	1400BLK
<b>New</b> Traditional Logs	1100LSK	1400LSKV2
<b>New</b> Driftwood	1100DWK	1400DWKV2

## ② LINERS

<b>New</b> Plain Black	1160PBL	1460PBL
<b>New</b> LedgeStone	1115LSL	1415LSLV2
Fluted Black	1125FBL	1425FBL
Reflective Glass	1170RGL	1470RGL
Herringbone	1175HBL	1475HBL
Red Brick	1110VRL	1410VRL

## ③ FRONT

<b>New</b> Clean Install Kit		1130CIK	1430CIK
Fixed Frame Kit	1"	1130FFK	1430FFK
3-sided, Black	3¼"	1135TSB	1435TSB
4-sided, Black	4"	1140FSB2	1440FSB2
<b>New</b> Edgemont Craftsman Aged Steel	2¼"	1184ECAS	
<b>New</b> Edgemont Craftsman Pewter	2¼"	1184ECPW	

## OPTIONAL

Reflective Glass Rear Panel*		1105RGL	
Outdoor Conversion Kit		GV60CKO	GV60CKO
Remote Blower for Zone Heating		1270RBK	1270RBK **
Circulating Fan		1195CFK	1495CFK

\*For H5 Fluted or Plain Black liner only. \*\*Use with LDK1 or LDK4 only.

## HEATSHIFT (Recommended)

48" Plenum + white Finishing Frame	LDK1 + LDK2	LDK1 + LDK2
38" Plenum + white Finishing Frame	LDK4 + LDK5	LDK4 + LDK5
30" Plenum + white Finishing Frame	LDK9 + LDK10	LDK9 + LDK10
14" Plenum + white Grilles (2)	LDK3	LDK3
Valance, two plates (hidden)	1195CFK	1195CFK

### **WARNING**

This product can expose you to chemicals including Benzene, which is known to the State of California to cause cancer and birth defects or other reproductive harm.

For more information go to [www.P65Warnings.ca.gov](http://www.P65Warnings.ca.gov)



Note: Natural gas, in its original state, contains Benzene.



[valorfireplaces.com](http://valorfireplaces.com)

H5  
DRIFTWOOD 1100DWK  
HERRINGBONE LINER 1175HBL  
4-SIDED BLACK FRONT 1140FSB2

BRH5H623E JAN

Copyright Miles Industries Ltd. 2023  
Designed and manufactured by Miles Industries Ltd.

**Valor**  
Radiant  
Gas Fireplaces