



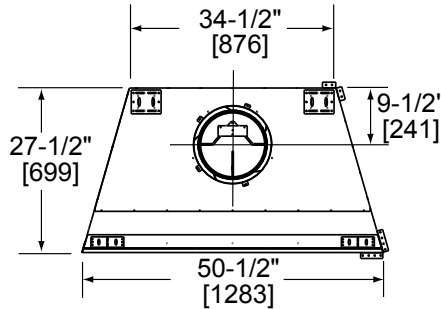
Please consult the manufacturer's installation manual for all details and requirements before making a final design layout decision.

# Exclaim 42

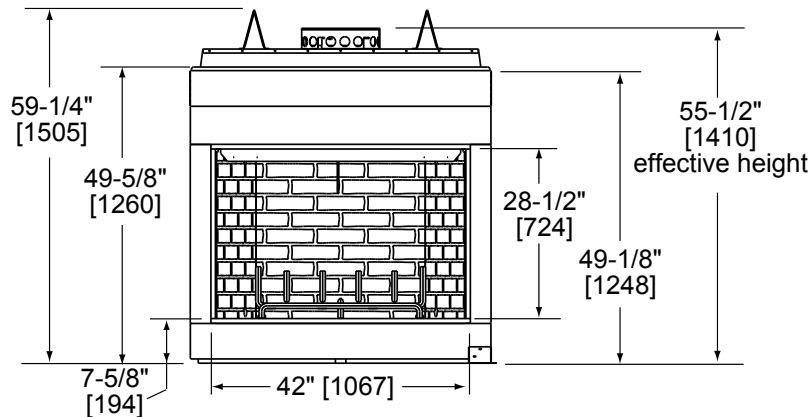
Wood-burning Fireplace

| MODEL      | FRONT WIDTH |         | BACK WIDTH |         | HEIGHT  |                        | DEPTH   |         | FIREBOX OPENING |
|------------|-------------|---------|------------|---------|---------|------------------------|---------|---------|-----------------|
|            | Actual      | Framing | Actual     | Framing | Actual  | Rough Opening Framing* | Actual  | Framing |                 |
| EXCLAIM-42 | 50-1/2"     | 51-1/2" | 34-1/2"    | 51-1/2" | 59-1/4" | 59-3/4"                | 27-1/2" | 28-1/2" | 42 x 28-1/2"    |

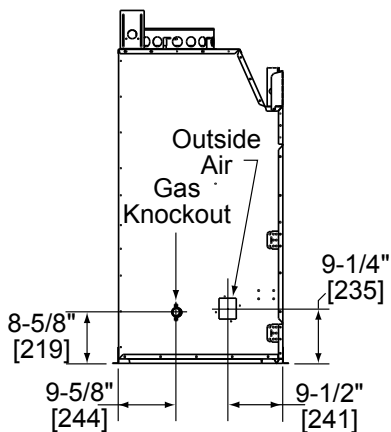
\* Framing must be filled in to top of front standoff after unit is installed.



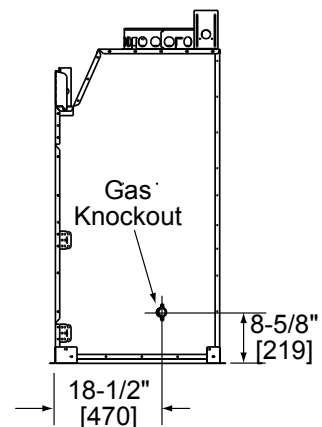
Top View



Front View

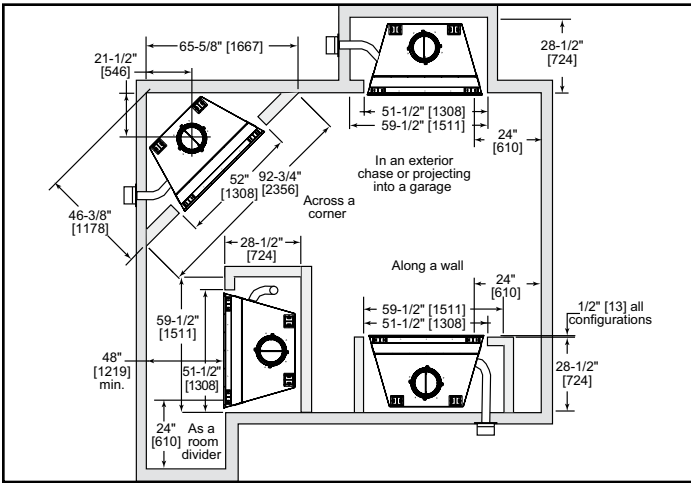


Left Side View

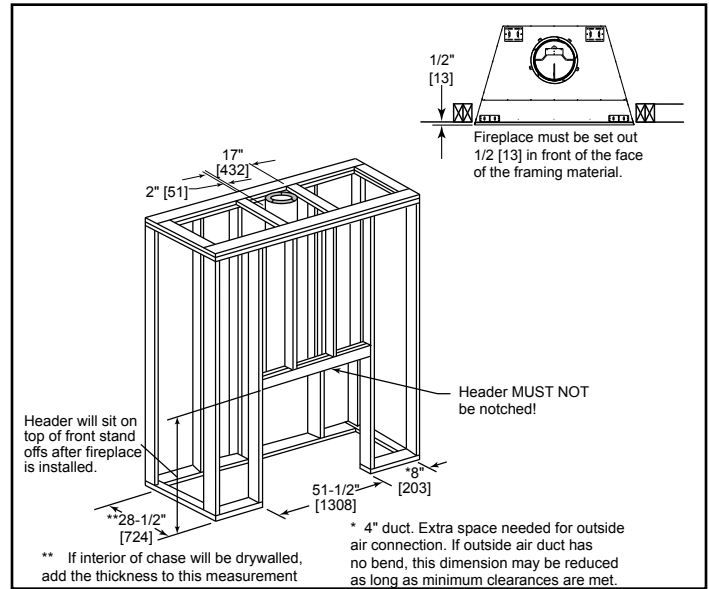


Right Side View

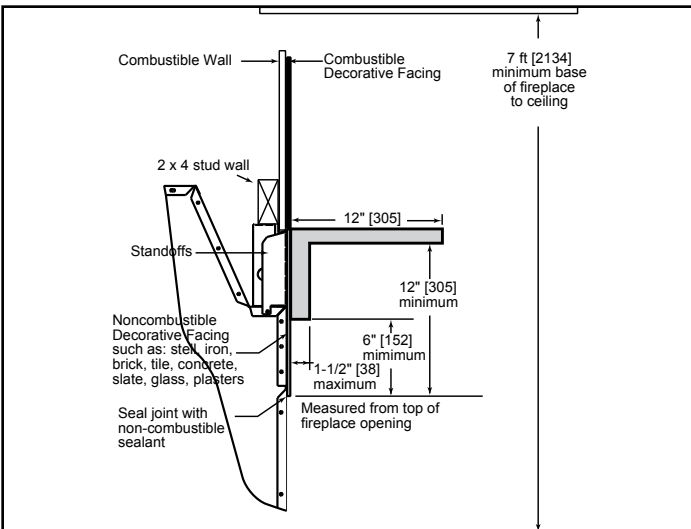
**APPLIANCE LOCATION**



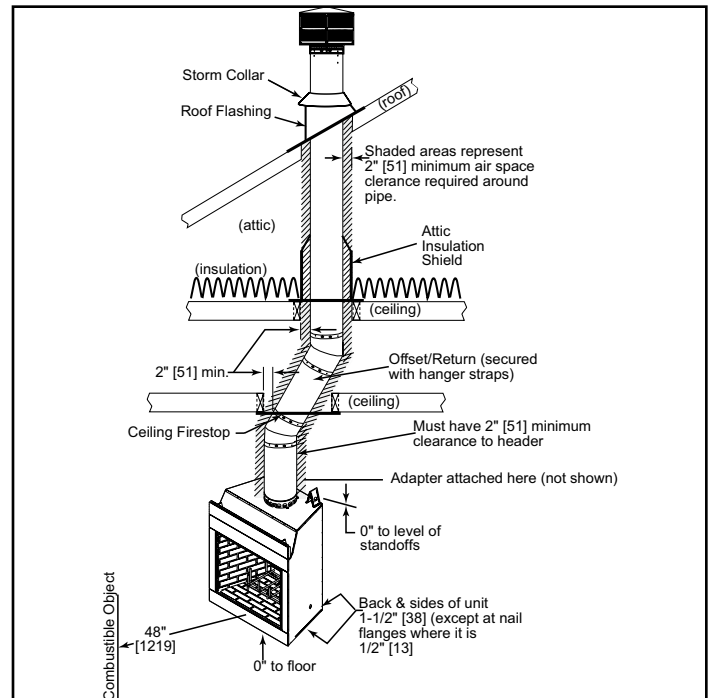
**FRAMING DIMENSIONS**



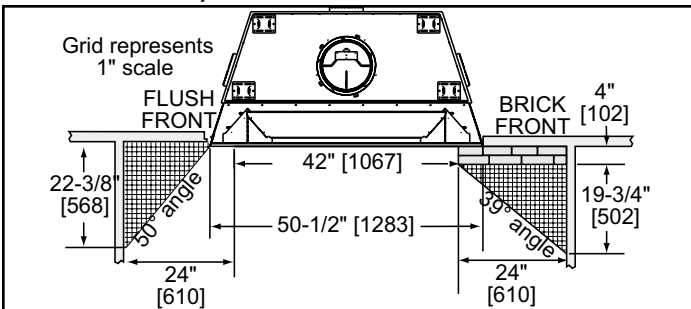
**MANTEL PROJECTIONS**



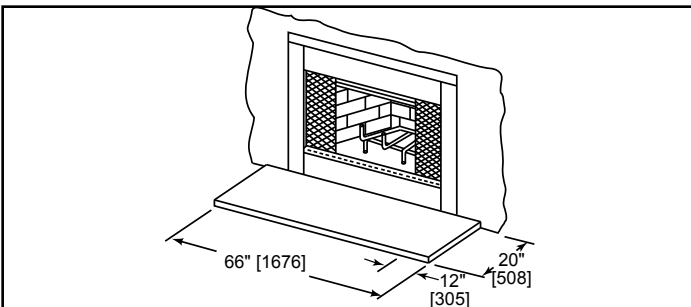
**CLEARANCE TO COMBUSTIBLES**



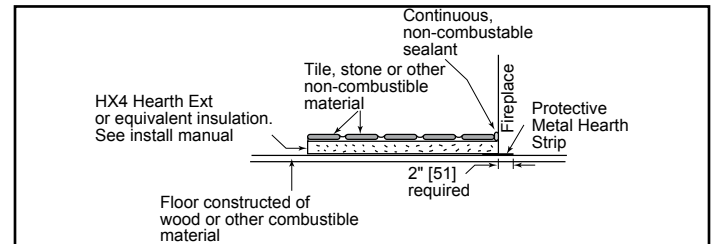
**MANTEL LEG/WALL PROJECTIONS**



**HEARTH EXTENSIONS**



**HEARTH EXTENSION CONSTRUCTION**



| PRODUCT LISTING CODES |          |
|-----------------------|----------|
| US                    | UL 127   |
| CAN                   | ULC-S610 |

Product information provided is not complete and is subject to change without notice. Product installation must adhere strictly to instructions accompanying product to avoid risk of fire and potential injury.

Additional information can be found online at [www.heatnglo.com](http://www.heatnglo.com)