



# AMBIANCE

FIREPLACES | GRILLS

## Elegance 36

Owner's Manual



Model Number: 24SF

This product is proudly manufactured in North America by **SUPREME FIREPLACES INC.**

3594 Jarry East, Montreal, QC H1Z 2G4

T: 877-593-4722, F: 514-593-4424

[www.supremem.com](http://www.supremem.com)

Revised: March 2020

**IMPORTANT: Keep the owner's manual for future use.**

# CONTENTS

- 1 SAFETY ..... 1
- 2 GENERAL INFORMATION..... 2
  - 2.1 Overall Dimensions ..... 2
    - 2.1.1 Traditional Dimensions ..... 2
    - 2.1.2 Clean Face Dimensions ..... 3
  - 2.2 Specifications ..... 4
  - 2.3 Combustion Air Control ..... 5
  - 2.4 Cold Hand Key ..... 5
  - 2.5 Chimney Sweeping Cap ..... 5
  - 2.6 Door ..... 5
  - 2.7 Certification Label..... 6
  - 2.8 Removable Ash Lip ..... 6
  - 2.9 Baffle Secondary Burn Technology ..... 6
  - 2.10 Soapstone Interior ..... 6
  - 2.11 Optional Blower Kit..... 7
  - 2.12 Optional Hot Air Kit..... 7
  - 2.13 Optional Fresh Air Kit ..... 7
- 3 INSTALLATION INSTRUCTIONS..... 8
  - 3.1 Location..... 8
  - 3.2 Chimney Installation ..... 9
    - 3.2.1 General Rules and Guidelines..... 9
    - 3.2.2 Listed UL 103 / ULC S629 Approved Chimney Models (Reference Table) ..... 10
    - 3.2.3 Chimney Installation Instructions ..... 10
    - 3.2.4 Offset Installation..... 11
    - 3.2.5 Angled Wall Radiation Shield ..... 11
    - 3.2.6 Connecting to a Masonry Chimney..... 11
  - 3.3 Surround Installation..... 13
    - 3.3.1 Traditional Surround ..... 13
    - 3.3.2 Clean Face Surround ..... 14

3.4	Gravity Kit Installation.....	16
3.5	Framing.....	18
3.6	Hearth Extension.....	18
3.6.1	Calculating R-Value.....	19
3.7	Chase Installation.....	20
3.8	Clearances to Combustibles.....	21
4	OPTIONS .....	22
4.1	Blower Kit .....	22
4.2	Hot Air Kit.....	23
4.3	Fresh Air Kit .....	25
5	OPERATION INSTRUCTIONS .....	26
5.1	Fuel.....	26
5.2	First Fires .....	26
5.3	Operating the Combustion Air Control.....	27
5.4	Starting a Fire.....	27
5.5	Adding a New Load of Wood .....	28
5.6	Blower Operation (Optional) .....	28
6	TROUBLESHOOTING.....	29
6.1	Backdraft / Smoking .....	29
6.2	Over Firing .....	29
7	MAINTENANCE.....	30
7.1	Disposal of Ashes.....	30
7.2	Chimney Maintenance.....	30
7.3	Cleaning of Glass.....	31
7.4	Replacing Soapstone Slab .....	31
7.5	Replacement of Door Gasket .....	31
7.6	Replacement of Glass .....	32
7.7	Door Latch Maintenance .....	33
7.8	Paint.....	33
8	PARTS LIST .....	34
9	WARRANTY .....	35

# 1 SAFETY

SUPREME FIREPLACES INC. congratulates you on purchasing an Elegance 36 wood burning fireplace. This manual describes the installation and operation of the Elegance 36 non-catalytic wood heater. This heater meets the 2020 U.S. Environmental Protection Agency's crib wood emission limits for wood heaters sold after May 15, 2015. Under specific test conditions this heater has been shown to deliver heat at rates ranging from 10,125 to 25,944 Btu/hr. In addition, this fireplace complies with the ULC-S610 and UL-127 standards.

**SAFETY NOTICE: Carefully read this manual before installation and operation of this fireplace. A house fire may result if not properly installed. To reduce the risk of a fire, follow the installation instructions. Failure to follow instructions presented in this manual can lead to property damage, bodily injury or even death. Alterations or modifications made on the unit or the installation is strictly forbidden as it may predispose the user to hazardous risks. Contact your local building or fire officials for restrictions and installation inspection requirements in your area and the need to obtain a permit.**

**WARNING: This unit is hot during operation; keep children, pets, flammable liquids, or combustible materials at a safe distance. Ensure that all clearances to combustible materials are respected. Contact with the unit during operation may cause severe harm. Install a safety screen to keep children and pets away.**

## CAUTION:

- Do not connect this unit to a chimney flue serving another appliance.
- Do not connect to any air distribution duct or system.
- Never use chemicals to ignite the fire.
- Never burn waste or flammable fluids (such as gasoline, naphtha, or engine oil).
- Only burn dry natural cordwood.
- Never leave the unit unattended with the door open or unlatched.
- Only refuel this unit when the wood is reduced to embers.
- Always keep the door closed during operation.
- Do not operate this unit with a fireplace grate.
- Do not install an unvented gas log set into the firebox.
- Do not install this unit in a mobile home.
- Do not clean or service the unit while it is hot.
- Allow proper air flow by keeping the louvers/openings clear of any obstructions.

Note: Failure to respect the above cautions may cause damages to the unit, damages to personal property, bodily harm and will void the warranty. "This wood heater needs periodic inspection and repair for proper operation. It is against federal regulations to operate this wood heater in a manner inconsistent with operating instructions in this manual."



We recommend that our woodburning hearth products be installed and serviced by professionals who are certified in the U.S. by the National Fireplace Institute® (NFI) as NFI Woodburning Specialists or who are certified in Canada by Wood Energy Technical Training (WETT). 



This product can expose you to chemicals including carbon monoxide, which is known to the State of California to cause cancer, birth defects or other reproductive harm. For more information go to [www.P65warnings.ca.gov/](http://www.P65warnings.ca.gov/)

# 2 GENERAL INFORMATION

## 2.1 Overall Dimensions

### 2.1.1 Traditional Dimensions

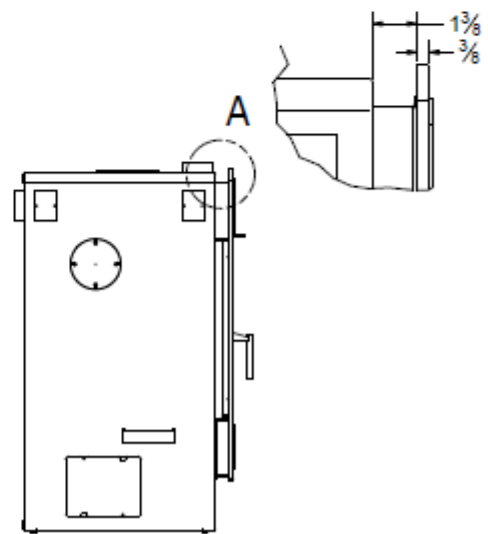
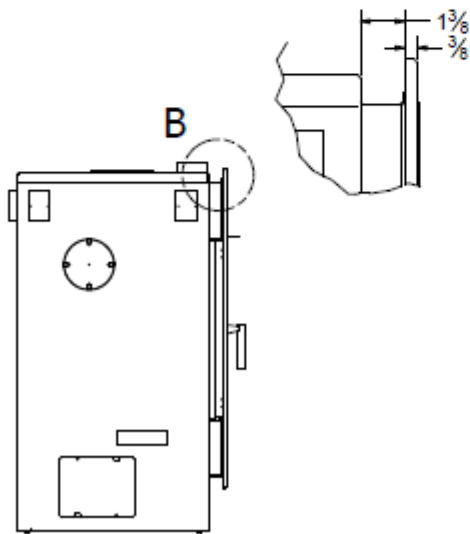
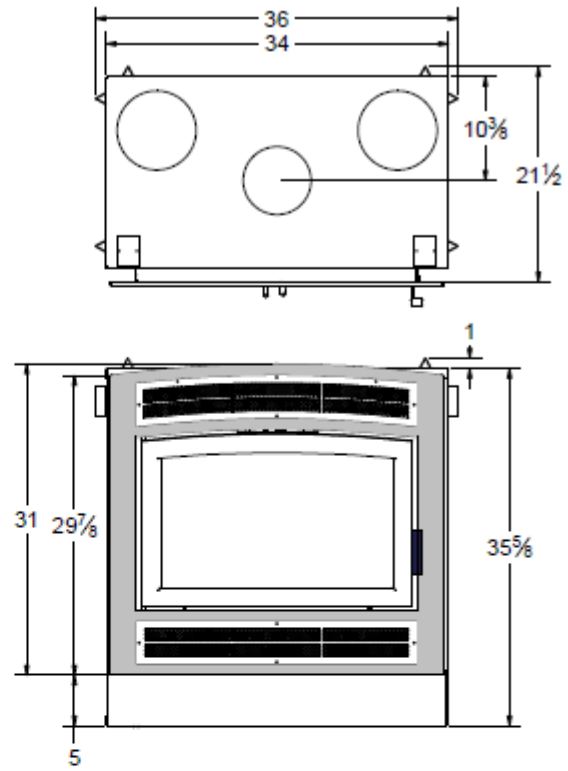
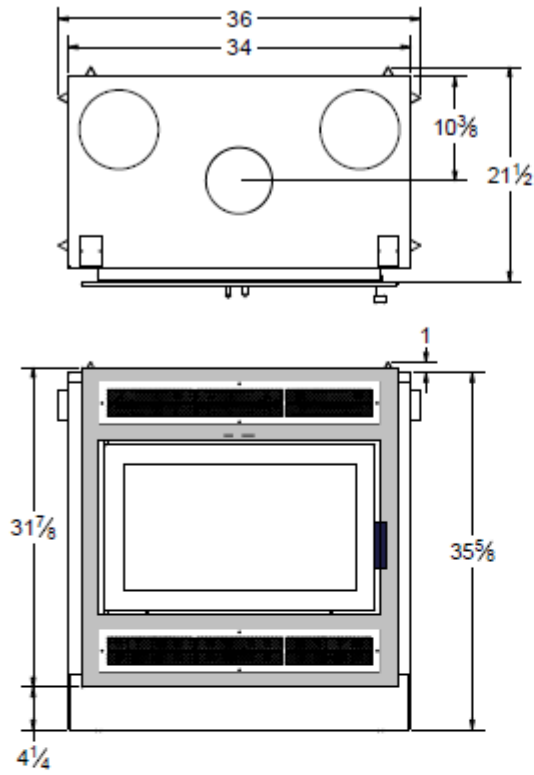


Figure 2-1: Elegance 36 Traditional Rectangular Dimensions

Figure 2-2: Elegance 36 Traditional Arched Dimensions

## 2.1.2 Clean Face Dimensions

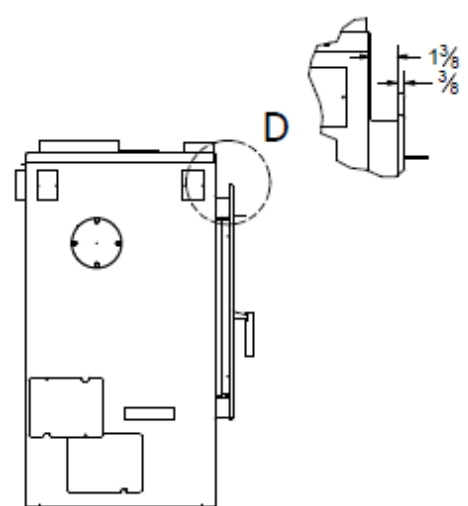
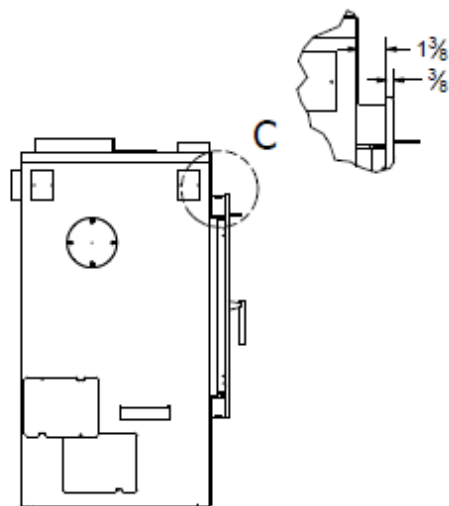
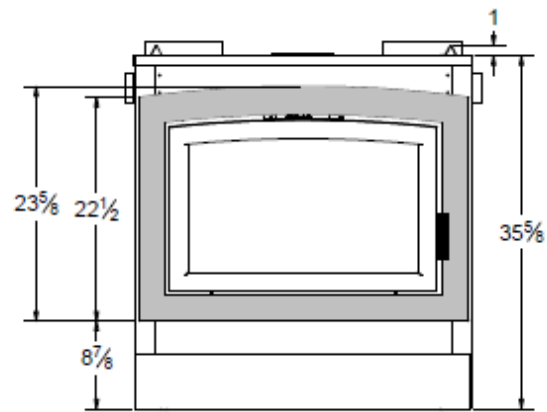
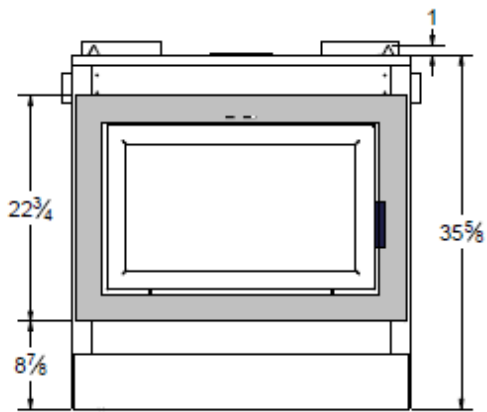
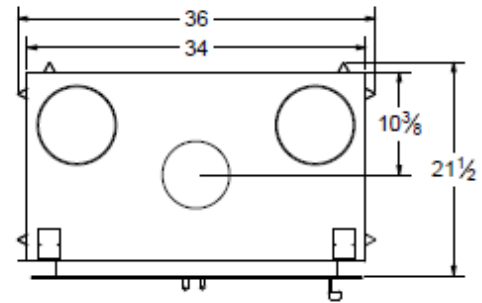
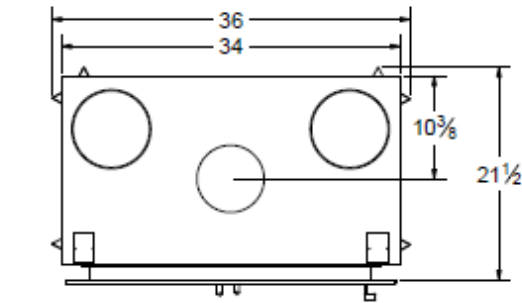


Figure 2-3: Elegance 36 Clean Face Rectangular Dimensions

Figure 2-4: Elegance 36 Clean Face Arched Dimensions

## 2.2 Specifications

Appliance Type:	Adjustable Burn Rate Wood Heater – Non-Catalytic
Fuel Type:	Dry Cordwood
Maximum Log Length:	24 in (60.9 cm)
Burn Time <sup>1</sup> :	6 to 10 hrs
Firebox Volume:	2.4 ft <sup>3</sup> (0.069 m <sup>3</sup> )
Heating Area:	500 to 2,000 ft <sup>2</sup> (45 to 185 m <sup>2</sup> )
Average Particulate Emissions Rate <sup>2</sup> :	1.77 g/hr
Average CO Emissions Rate <sup>3</sup> :	106.9 g/hr
EPA Protocol:	Method 28R, ASTM2780-10, and ASTM2515-11
Efficiency (Crib Wood):	HHV <sup>4</sup> : 67.14%   LHV <sup>5</sup> : 72.56%
Heat Output (Crib Wood):	10,125 to 25,944 BTU/hr (2,967 to 7,603 W)
Optimum Efficiency:	75%
Optimum Heat Output:	75,000 BTU (21.9 kWh)
Efficiency Protocol:	CSA B415.1-10

### WARRANTY REGISTRATION

Please register your SUPREME product online at <http://www.supremem.com/warranty.php> to ensure full warranty coverage. Proof of purchase is required for all warranty claims.

<sup>1</sup> Depending on combustion air control setting (see Section 5.3 for further details).

<sup>2</sup> Officially tested and certified by an independent.

<sup>3</sup> Note that rate is smaller for low to medium/low burn rates.

<sup>4</sup> Higher Heating Value.

<sup>5</sup> Lower Heating Value.

## 2.3 Combustion Air Control

The Combustion Air Control is a patented mechanism (Patent No: US 7,325,541 B2) that regulates the air flow into the firebox based on the temperature of the unit. It is located on the top of the firebox, at the front center of the unit. The combustion air control of the Elegance 36 has two components: the Activator and the Burn Rate Selector (see Figure 2-5). The left combustion control lever is the Activator. When starting a fire or adding a new load of wood, the Activator must be pushed in to allow a primary source of air to enter the firebox. The Activator will retract automatically with heat. The right combustion control lever is the Burn Rate Selector. The Burn Rate Selector can slide sideways to achieve different burn rates. When the Burn Rate Selector is positioned to the left, a maximum burn rate is achieved and when it is positioned to the right, a minimum burn rate is set.

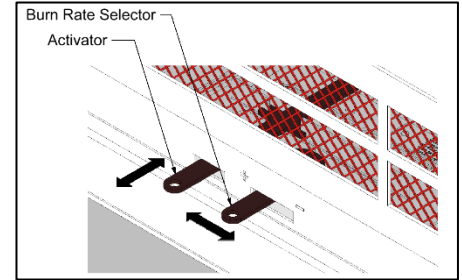


Figure 2-5: Combustion Air Control's Activator and Burn Rate Selector

**WARNING: Never manipulate the Combustion Air Control with bare hands as it gets hot when the Elegance 36 is in operation. Use the Cold Hand Key (see Section 2.4) to adjust the Combustion Air Control.**

## 2.4 Cold Hand Key

The Cold Hand Key is an accessory that comes standard with the Elegance 36 fireplace (Figure 2-6). The Cold Hand Key is a tool used to manipulate the Combustion Air Control Levers when they are hot.

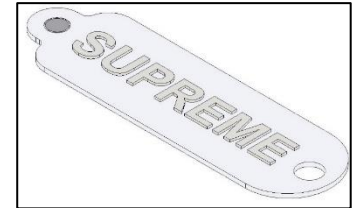


Figure 2-6: Cold Hand Key

## 2.5 Chimney Sweeping Cap

The chimney sweeping cap found at the baffle of the Elegance 36 allows easy access for chimney sweeping without having to remove any components of the firebox (Figure 2-7).

**WARNING: The chimney sweeping cap should be blocking the access to the chimney at all times during combustion. A chimney sweeping cap that is not blocking the baffle hole during combustion is a safety hazard, will overheat the fireplace and void the warranty.**

## 2.6 Door

The Elegance 36 wood burning fireplace comes with a Pyroceramic glass panel door. Pyroceramic is the highest grade available for fireplaces and stoves and can withstand temperatures up to 1300°F. To remove the door, open the door, lift it and pull it towards the bottom until the rod exits from the hinge holes.

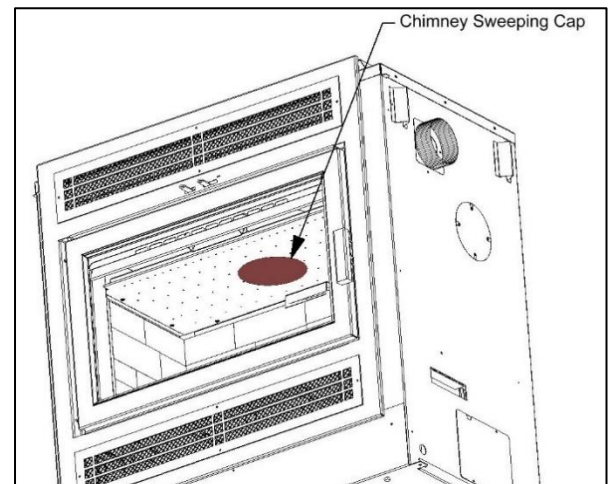


Figure 2-7: Chimney Sweeping Cap



## 2.7 Certification Label

The certification label contains important information regarding the installation and operation of the Elegance 36 fireplace. In addition, the serial number of the unit is permanently embossed onto the top right corner. See Figure 2-8 for the location of the certification label.

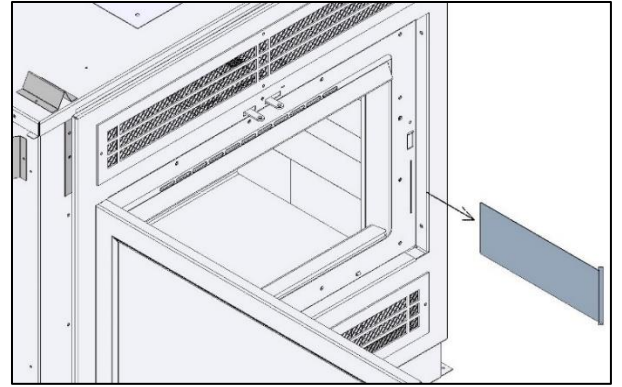


Figure 2-8: Location of Certification Label with Product Serial Number

## 2.8 Removable Ash Lip

The Ash Lip is a removable accessory that comes standard with the Elegance 36 fireplace (Figure 2-9). It is installed on the door holder (under the two small angled tags below the door) and prevents ashes from falling onto the front of the hearth. The Ash Lip can be installed with the door open or closed. It is safe to operate the unit without the Ash Lip.

**NOTE: The door of the Elegance 36 must remain closed at all times during operation.**

## 2.9 Baffle Secondary Burn Technology

An innovative baffle design comprises of carefully engineered perforations that allow the introduction of secondary air to increase the efficiency and heat output while offering an uncompromising view of the fire (Figure 2-10).

## 2.10 Soapstone Interior

The Elegance 36 is lined with 1.25 inch thick soapstone slabs. Soapstone offers unparalleled advantages in a fireplace beyond its natural aesthetics: it radiates 5 times more heat and absorbs 15% more heat when compared to firebrick.

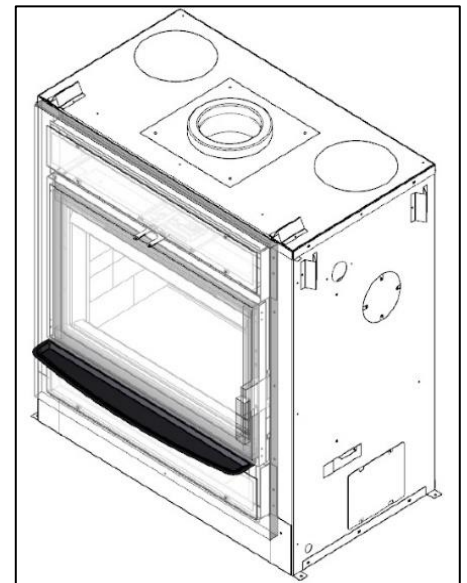


Figure 2-9: Removable Ash Lip

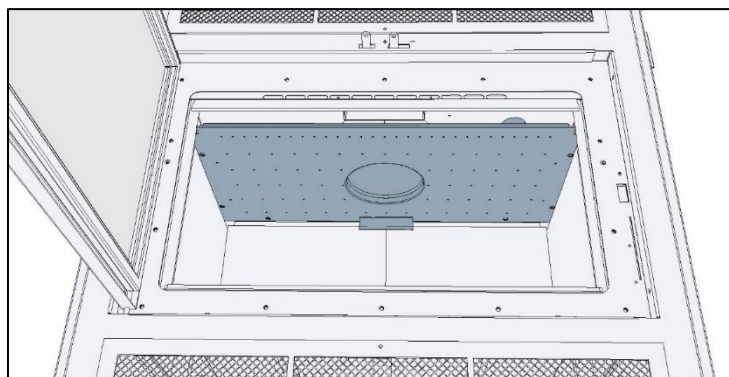


Figure 2-10: Baffle Secondary Burn Technology

## 2.11 Optional Blower Kit

An AC tangential optional blower (electrical rating: 115V, 60Hz, and 56W) with a variable speed control can be installed into the Elegance 36 wood burning fireplace to maximize efficiency (kit number BLK130CFM). Refer to **Section 4.1** for installation instructions.

**WARNING: Make certain that the fireplace is not in operation and the blower is unplugged (breaker off) before accessing the electrical wiring of the blower kit.**

**CAUTION: Only a blower provided by SUPREME FIREPLACES INC. can be installed into the fireplace. Substituting the blower kit may result in overheating, will void the warranty and can be hazardous.**

## 2.12 Optional Hot Air Kit

The Optional Hot Air Kit (kit number SU250) allows heat to be drawn from the unit by a thermostatically controlled blower (electrical rating: 115 V and 60 Hz) and dispersed to different areas of the house. This option is recommended when the fireplace is installed in an area below the maximum heating space. A total of three kits can be installed onto one unit with a maximum distance of 25 feet each. Note that a 5 inch insulated duct (part number UCAC5) is required for the installation (item ordered separately). Refer to **Section 4.2** for installation instructions.

**WARNING: Make certain that the fireplace is not in operation and that hot air blower is not powered (breaker off) before accessing the electrical wiring of the hot air kit.**

**CAUTION: Only a hot air kit provided by SUPREME FIREPLACES INC. can be installed onto the fireplace. Substituting the hot air kit may result in overheating, will void the warranty and can be hazardous.**

## 2.13 Optional Fresh Air Kit

The Optional Fresh Air Kit (kit number UPEA4) allows for exterior air (outdoors) to be drawn into the fireplace during operation of the unit. Note that a 4 inch insulated duct is required for the installation (item ordered separately). Refer to **Section 4.3** for installation instructions. Contact your local building official regarding mandatory fresh air kit installations within your area.

**CAUTION: Only a fresh air kit provided by SUPREME FIREPLACES INC. can be installed onto the fireplace. Substituting the fresh air kit may result in overheating and will void the warranty.**

## 3 INSTALLATION INSTRUCTIONS

Before installing the unit, consult an authority having jurisdiction (such as your municipal building department, your fire department, your fire prevention department...) for any local codes and whether a permit is required. In the absence of local codes, refer to the CSA B365 Installation Code for Solid Burning Appliances and Equipment (Canada) or the ANSI NFPA 211 Standard for Chimneys, Fireplaces, Vents and Solid Fuel-Burning Appliances (USA). **CAUTION: Modifications/alterations to the unit/installation without written authorization from SUPREME FIREPLACES INC. are strictly forbidden and will void the warranty.** Refer to Section 1 for further safety information. Carefully read the instructions below before installing your Elegance 36.

### 3.1 Location

Determine the location of the Elegance 36 by taking into consideration the following criteria:

- The size of the room with respect to the heat output of the fireplace.
- The proximity of windows, doors, and traffic flow.
- The necessary amount of space in front of the unit for the hearth extension and mantel (Refer to sections 3.6 and 3.8).
- The clearances to combustible materials.
- The passage of the chimney.

If possible, select a location for the fireplace that will minimize the number of offsets in the chimney course. Offsets will reduce the draft, complicate the chimney sweeper's work, and increase installation costs. Do not install an offset directly onto the unit/anchor plate. Technical drawings outlining the chimney route should be prepared prior to the installation. NOTE: The cutting of joists and rafters for floor, ceiling, and roof chimney penetrations will affect the load bearing capacities of the dwelling structure. To determine whether additional support is required, consult your local building codes. Improper cutting of chimney openings in the attic and roof will affect the bearing and thermal insulating capacity, as well as the weather tightness of the dwelling. Avoid incorrect workmanship by consulting a professional engineer or a certified installer.

Through examination of the floor construction, ensure that the fireplace and chimney system is resting on a surface capable of withstanding its weight. Consult your building codes to see whether additional structural supports are required (applicable for rare and isolated cases).

Avoid having the chimney outlet near any obstructions (such as trees and roof offsets) as the draft of the chimney may be affected by wind turbulence. Ideally position the outlet of the chimney at the highest area of the roof.

**NOTE: It is strongly recommended to install a carbon monoxide (CO) and smoke detector near the location of the unit.**

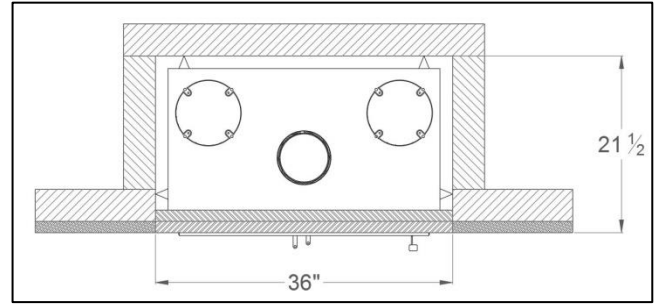


Figure 3-1: Straight Wall Installation

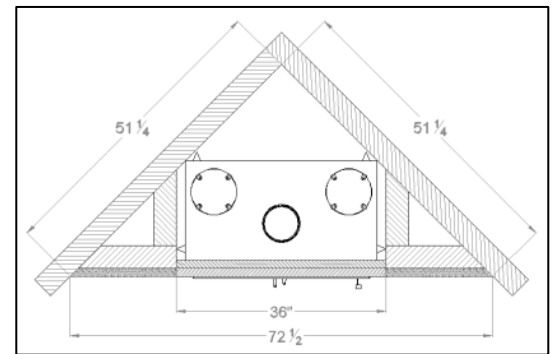


Figure 3-2: Corner Installation

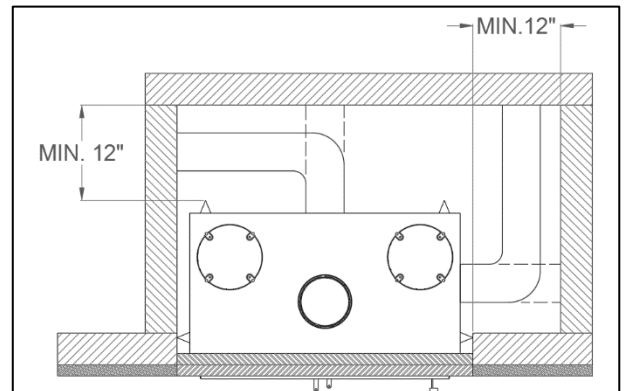


Figure 3-3: Space Required for Hot Air Distribution System and/or Fresh Air Kit Installations

Refer to Sections 4.2 and 4.3

## 3.2 Chimney Installation

The Elegance 36 is approved with a 6" chimney that is listed under the UL 103 / ULC S629 standards (refer to Table 3-1). **WARNING: Mixing chimney components from different brands is a safety hazard and will void the warranty on the unit.** When connecting the unit to an existing chimney, thoroughly inspect the condition of the chimney and that the installation conforms with the requirements of the chimney manufacturer and the building codes. **Note that to avoid any unnecessary risk, it is often recommended to replace the chimney system.** Always respect the clearances to combustibles from the chimney manufacturers; a minimum of two inch clearance is usually required for prefabricated chimneys.

### 3.2.1 General Rules and Guidelines

1. Carefully read the instructions from the chimney manufacturer prior to installation (manuals can be obtained from the chimney manufacturer's website or from the vendor). Unless specified, follow the chimney manufacturer's instructions for proper installation.
2. For optimal performance of the unit, it is recommended to install the chimney system in an interior setting. To prevent drafting issues and creosote buildups, avoid exterior installations of the chimney system in regions that experience extreme cold conditions.
3. The minimum and the maximum height of the chimney from the base of the unit are 15 and 35 feet respectively.
4. A minimum length of 12 inches of straight chimney is required from the top of the unit before having an offset.
5. Only chimneys approved under the UL 103 / ULC S629 standards can be installed onto the unit (refer to Table 3-1).
6. A 6 inch anchor plate is required to connect the fireplace to the chimney system. The anchor plate can be secured onto the unit with 4 self-tapping screws.
7. The chimney installed onto the unit cannot be connected to another appliance.
8. Enclose any portion of the chimney that extends to accessible spaces.
9. The clearance of the chimney to any combustible material cannot be less than 2 inches; the 2 inch clearance cannot be filled with insulation or any non-combustible material.
10. At least one support is to be incorporated in any chimney installation.
11. A firestop is required in the joists/frames where the chimney goes through (ceilings, floors, walls, and roof).
12. To prevent drafting issues, avoid deviations wherever possible.
13. The chimney shall extend at least 3 feet above its point of contact with the roof and at least 2 feet higher than any wall, roof, or adjacent building within a 10 foot radius.
14. A secure brace is to be installed if the chimney extends a minimum of 5' above the contact point with the roof.
15. A rain cap must be installed on top of the chimney to avoid internal damage and/or corrosion.
16. Consult the chimney manufacturer for clearances to combustibles when installing a combustible chimney enclosure above the roof.

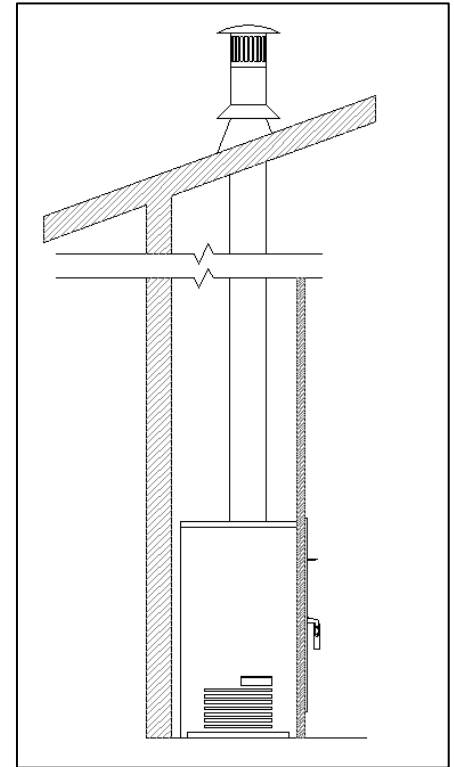


Figure 3-4: Straight Interior Installation

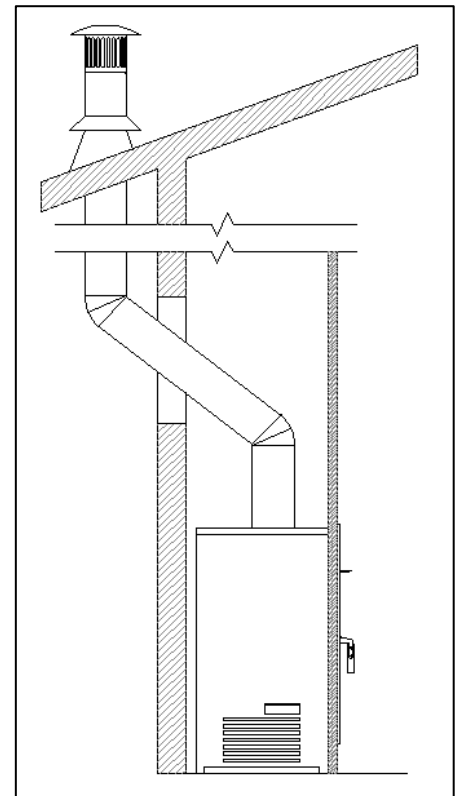


Figure 3-5: Exterior Installation

### 3.2.2 Listed UL 103 / ULC S629 Approved Chimney Models (Reference Table)

Note that only chimney models listed in Table 3-1 can be installed for the Elegance 36.

Table 3-1: List of Approved Chimney Models

<u>Manufacturer</u>	<u>Models</u>
American Metal	<ul style="list-style-type: none"> <li>• HS, AC Triple Wall, 6" inner diameter</li> <li>• HSS, AC Triple Wall, 6" inner diameter</li> </ul>
FMI (US only)	<ul style="list-style-type: none"> <li>• AC, AC Triple Wall, 6" inner diameter</li> </ul>
ICC	<ul style="list-style-type: none"> <li>• Excel 2100, 1" Solid Pack, 6" inner diameter</li> </ul>
Metal Fab	<ul style="list-style-type: none"> <li>• Temp Guard, 1" Solid Pack, 6" inner diameter</li> </ul>
Olympia Chimney	<ul style="list-style-type: none"> <li>• Ventis, 1" Solid Pack, 6" inner diameter</li> </ul>
Security Chimney	<ul style="list-style-type: none"> <li>• ASHT+, 1" Solid Pack, 6" inner diameter</li> <li>• S-2100+, 2" Solid Pack, 6" inner diameter</li> </ul>
Selkirk	<ul style="list-style-type: none"> <li>• Super Pro (SPR), 1" Solid Pack, 6" inner diameter</li> <li>• Super Pro 2100 (ALT), 2" Solid Pack, 6" inner diameter</li> <li>• Hart &amp; Cooley (TLC), 1" Solid Pack, 6" inner diameter</li> <li>• Sure-Temp (ST), 1" Solid Pack, 6" inner diameter</li> <li>• Super Vent (JSC), 1" Solid Pack, 6" inner diameter</li> <li>• Super Vent 2100 (JM), 2" Solid Pack, 6" inner diameter</li> <li>• Ultra-Temp (UT), 1" Solid Pack, 6" inner diameter</li> <li>• UltimateOne, 1" Solid Pack, 6" inner diameter</li> <li>• CF Sentinel (CF), 2" Solid Pack, 6" inner diameter</li> </ul>
Simpson Dura-Vent	<ul style="list-style-type: none"> <li>• Dura Tech, 1" Solid Pack, 6" inner diameter</li> <li>• Dura Plus HTC, 2" Solid Pack, 6" inner diameter</li> <li>• Dura Plus, AC Triple Wall, 6" inner diameter</li> </ul>

### 3.2.3 Chimney Installation Instructions

1. Cut and frame square openings in the floors, ceilings, and roof where the chimney will pass through while taking into consideration the minimum clearance to combustibles.
2. In the ceiling/floor openings, install a chimney manufacturer's firestop from below. Install the chimney manufacturer's attic radiation shield from above in the chimney opening to the attic. Ensure to install the appropriate firestop for ceilings and walls.
3. Install the chimney manufacturer's anchor plate onto the unit.
4. Install the chimney lengths according to the manufacturer's instructions and ensure proper fastening/locking of the joints.
5. Install the roof support once the desired height has been reached.
6. Position the roof flashing. Note that for sloping roofs, position the upper portion of the flashing under the shingles and position the lower portion of the flashing above the shingles. Seal the joint between the roof and the flashing with roofing cement or silicone. Secure the flashing to the roof with roofing nails.
7. Install the storm collar over the flashing by tightening the supplied bolt or through the flange mechanism (depends on chimney brand). Seal the joint between the storm collar and the chimney using a silicone caulking. **WARNING: Do not seal, caulk, or obstruct the ventilation openings when installing a ventilated flashing.**
8. Install the chimney rain cap.

Refer to Figure 3-4 and Figure 3-5 for typical chimney installations.

### 3.2.4 Offset Installation

An offset installation (Figure 3-6) consists of the use of elbows to deviate from unavoidable obstacles or to extend the chimney outside. The following list is a few general rules to take note when installing offsets:

- A maximum of 2 offsets (2 elbows per offset) is permitted per installation.
- The maximum deviation is 45° in Canada and 30° in the US.
- Secure the elbows and the chimney components according the instructions from the chimney manufacturer.
- A support strap, a wall support, or a roof support must be installed above each offset to allow adequate support to the vertical chimney lengths.
- **Never install an elbow in an opening of a floor, wall, ceiling, or roof.** In addition, only vertical chimney sections can be installed within ceiling/floor openings.
- A minimum length of 12 inches of straight chimney is required from the top of the unit before having an offset.
- Install a support for the first 15 feet of chimney.

The following are instructions for offset installations:

1. Rotate the elbow in the required direction and secure it to the adjacent chimney section according to the chimney manufacturer's instructions.
2. Follow the chimney manufacturer's instructions to install the chimney length(s) necessary for the offset.
3. Once the desired offset length has been achieved, install the second elbow to redirect the venting to the vertical position.
4. Cut an opening in the floor/ceiling to allow the chimney to pass through.
5. Install the appropriate firestop.

**CAUTION: For offset installations, always install a ventilated flashing and a roof firestop unless otherwise specified by the chimney manufacturer. Never install an elbow directly onto the unit.**

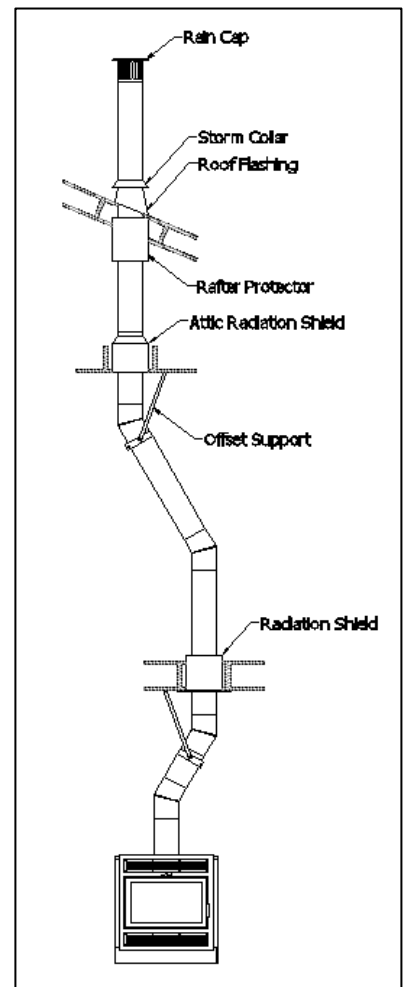


Figure 3-6: Offset Installation

### 3.2.5 Angled Wall Radiation Shield

For chimney installations requiring to pass through a combustible wall at a 30° (Canada) or 45° (Canada and US) angle, an angled firestop or an angled wall radiation shield from the chimney manufacturer must be installed within the wall opening. Install the angled firestop and angled wall radiation shield according to the manufacturer's instructions. It is recommended to use an insulated angled wall radiation shield in areas that experience cold climates.

### 3.2.6 Connecting to a Masonry Chimney

The Elegance 36 fireplace can be connected to a masonry chimney that complies with current national and municipal building codes. A 6 inch chimney liner that complies with ULC S635 M2000 (Canada) or UL 1777 (US) standards must be installed within the existing masonry chimney. Note that the 6CON connector (manufactured by SUPREME FIREPLACES INC.) must be installed to connect the prefabricated chimney to the liner (6CON sold separately). Refer to Figure 3-7.

Note that prior to installation, an inspection from an authority having jurisdiction is required to determine whether the masonry chimney:

- Is constructed in accordance with national and municipal building codes.
- Is in good condition. Note that repairs must be performed on any cracked or missing bricks.

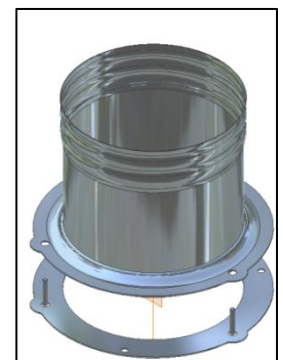


Figure 3-7: 6CON Liner Connector

- Is thoroughly cleaned of any soot or creosote.
- Is not connected to another appliance such as a furnace, hot water heater, or another fireplace.
- Has a flue of adequate size for proper installation of the venting.
- Respects minimum clearances to combustibles.

It is recommended to position the fireplace as close as possible to the masonry chimney to ensure proper venting. The prefabricated chimney must penetrate at least 3 inches within the masonry chimney before connecting the liner. Elbows can be used within the masonry chimney, with a maximum deviation of 30° in US and 45° in the Canada. **Note: A minimum length of 12 inches of straight chimney is required from the top of the unit before having an offset.**

The installation of the prefabricated chimney and the liner must comply with the manufacturer's instructions. The following are instructions in installing the venting of the Elegance 36 running through a masonry chimney:

1. Install the anchor plate onto the unit.
2. Position the fireplace to the recommended location.
3. Install the initial prefabricated chimney lengths and elbows.
4. Mark the area where the prefabricated chimney will penetrate the masonry chimney.
5. Remove the fireplace to allow for sufficient space to work.
6. Make a hole to the required size to allow for the prefabricated chimney to be inserted freely in the masonry chimney. Note that the appropriate firestops need to be installed if running the prefabricated chimney through a combustible wall.
7. Install the remaining prefabricated chimney components center with the masonry chimney.
8. Align the flange holder of the 6CON connector with the studs facing upwards to the center of the prefabricated chimney section (elbow or tee) and secure it with three self-tapping screws.
9. Reposition the fireplace to its initial position.
10. Overlap by 1 inch the lower end of the liner in the expanded portion of the 6CON connector and secure the joint with 3 #8 stainless steel self-tapping screws.
11. From the roof, slide the liner down the masonry chimney until it reaches the upper end of the prefabricated chimney.
12. Install the upper portion of the 6CON liner connector to the flange holder by aligning the threaded studs to the holes and complete the connection by tightening the wing nuts.
13. Seal any openings around the prefabricated chimney and the 6CON connector with refractory cement resistant to high temperatures.

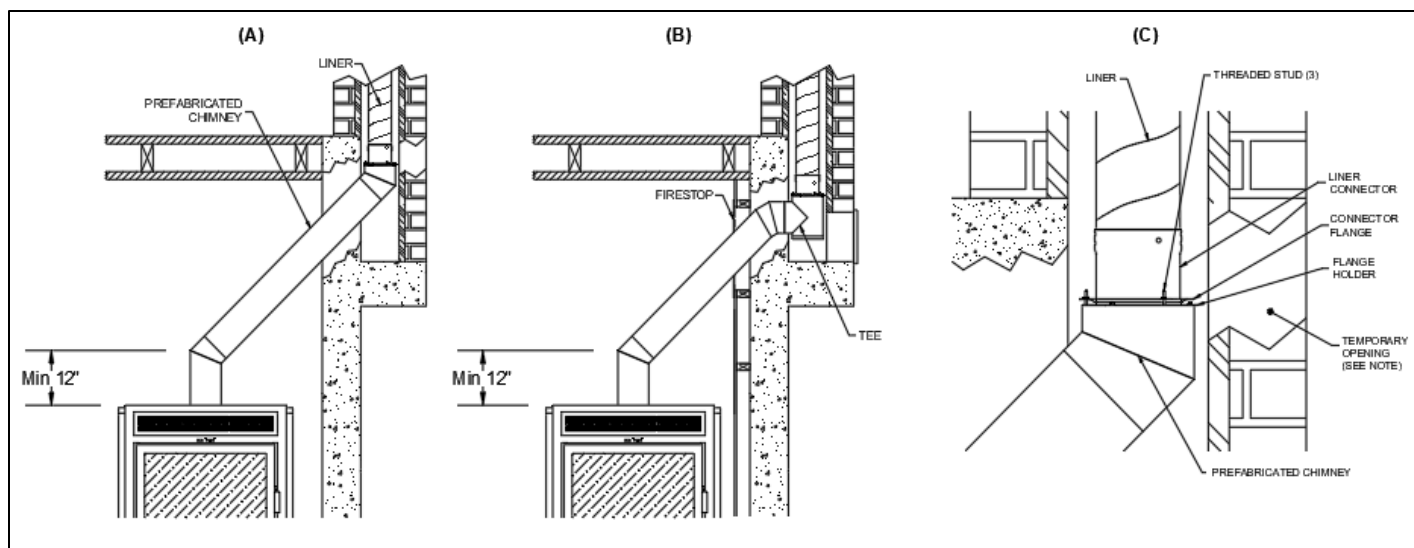


Figure 3-8: (A) Connection into a masonry chimney through an elbow/liner; (B) connection into a masonry chimney through a tee/liner; (C) detailed drawing of masonry chimney connection.

### 3.3 Surround Installation

The Elegance 36 can be installed with either the Traditional surround or the Clean Face surround.

#### 3.3.1 Traditional Surround

The traditional surround comprises louvers below (intake) and above (outtake) the door. All components and fasteners are included in the surround kit. Refer to Figures 3-11 and 3-12 and Tables 3-2 and 3-3 for the instructions below.

1. Remove the door of the unit and place it on a soft surface, such as a carpet or cardboard, to avoid any scratches or damages.
2. Align the bottom front support bracket (Item 2) to the intake opening and fasten it in place (Figure 3-10).
3. Align the top front support bracket (Item 2) to the outtake opening and fasten it in place (Figure 3-10).
4. Place the surround (Item 3 in Figure 3-11 or Item 5 in Figure 3-12) within the door holder and secure it in place with four black screws (one on each corner). Make sure that the handles of the Combustion Air Control pass through the slots of the surround.
5. Reinstall the door onto the unit.
6. Secure the Intake Swivel Covers on the bottom sides of the unit to the closed position (Figure 3-9).

**WARNING: For traditional surround installations only.**

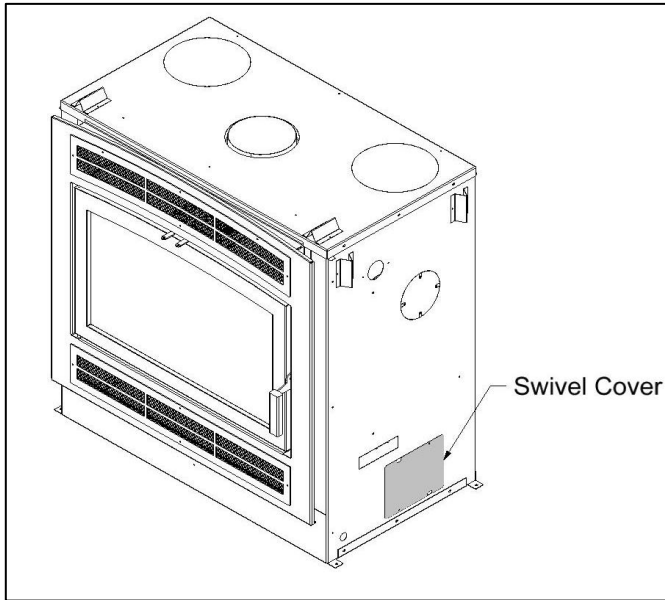


Figure 3-9: Intake Swivel Cover Closed

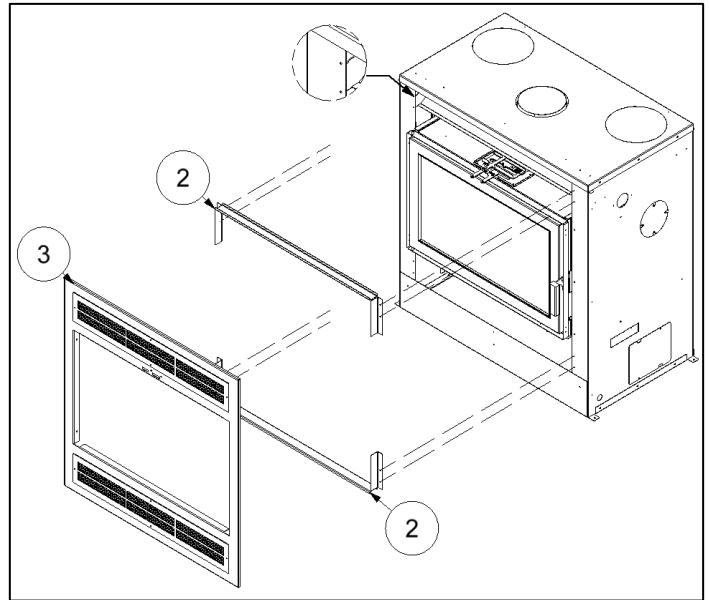


Figure 3-10: Traditional Surround Installation

**WARNING: For Traditional Surround Installations Only**

Table 3-2: UWA500 Components

TRADITIONAL RECTANGULAR		
ITEM	DESCRIPTION	QTY
2	Front support bracket	2
3	Traditional rectangular surround	1

Table 3-3: UWA510 Components

TRADITIONAL ARCHED		
ITEM	DESCRIPTION	QTY
2	Front support bracket	2
5	Traditional arched surround	1



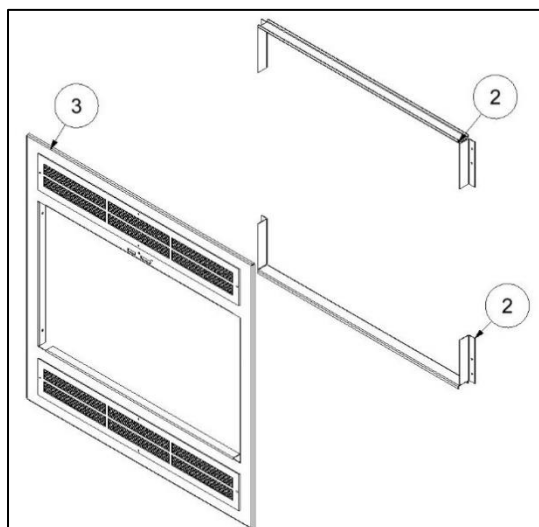


Figure 3-11: Traditional Rectangular Surround Components

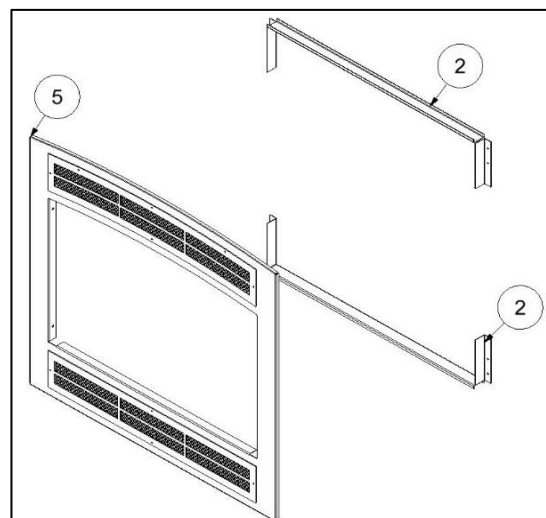


Figure 3-12: Traditional Arched Surround Components

### 3.3.2 Clean Face Surround

The Clean Face surround comprises no louvers; however, an intake into the chase and an outtake through gravity ducts is required for this configuration. The instructions below describe the installation of the Clean Face surround. Refer to Figures 3-15 and 3-16 and Tables 3-4 and 3-5 for the instructions below. Refer to Section 3.4 for Gravity Kit installation instructions.

1. Remove the door of the unit and place it on a soft surface, such as a carpet or cardboard, to avoid any scratches or damages.
2. Align the bottom Clean Face front cover (Item 1) and fasten it in place (Figure 3-13).
3. Align the top Clean Face front cover (Item 1) and fasten it in place (Figure 3-13).
4. Place the surround (Item 4 in Figure 3-15 or Item 6 in Figure 3-16) within the door holder and secure it in place with 4 black screws (one on each corner). Make sure that the handles of the Combustion Air Control pass through the slots of the surround.
5. Reinstall the door onto the unit.
6. Secure the Intake Swivel Covers on the bottom sides of the unit to the **open** position (Figure 3-14).
7. Remove the two 8" knockouts (2) at the top of the unit using a flat head screwdriver (Figure 3-17).
8. Using the knockout as a template, cut the exposed insulation. Make sure to remove any pieces of insulation that has fallen into the unit.
9. Bend the tabs inside the 8 inch knockouts (Figure 3-18) upwards.
10. Install the 8 inch duct adapters (Item 7 in Figures 3-15 and 3-16) through the newly cut knockouts and screw them to the bent tabs (Figure 3-19).

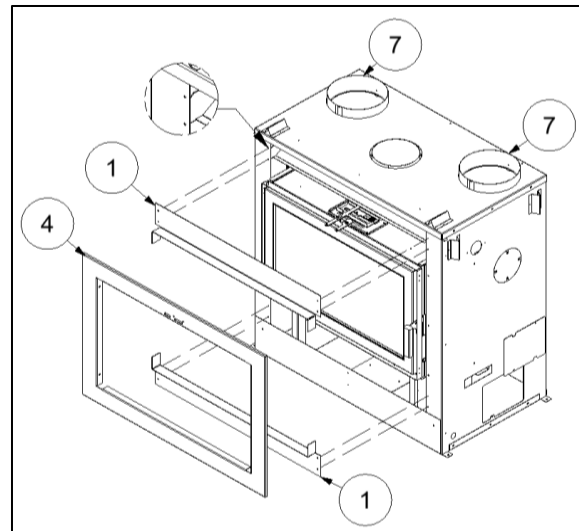


Figure 3-13: Clean Face Surround Installation

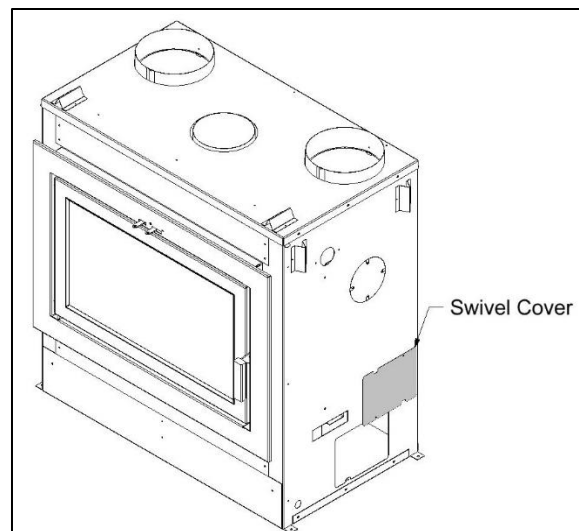


Figure 3-14: Intake Swivel Cover Kept Open for Clean Face Installations

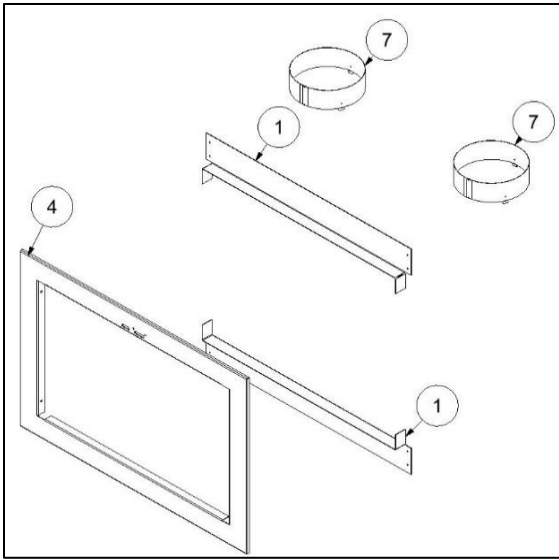


Figure 3-15: Clean Face Rectangular Surround Components

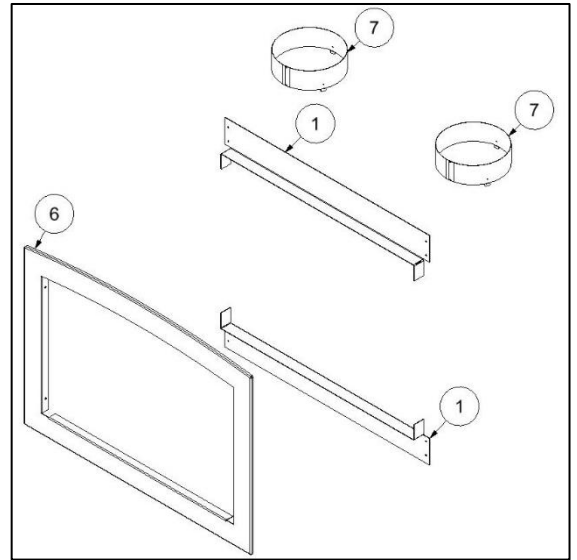


Figure 3-16: Clean Face Arched Surround Components

Table 3-4: UWA520 Components

CLEAN FACE RECTANGULAR		
ITEM	DESCRIPTION	QTY
1	Clean Face front cover	2
4	Clean Face rectangular surround	1
7	Flange adapter	2

Table 3-5: UWA530 Components

CLEAN FACE ARCHED		
ITEM	DESCRIPTION	QTY
1	Clean Face front cover	2
6	Clean Face arched surround	1
7	Flange adapter	2

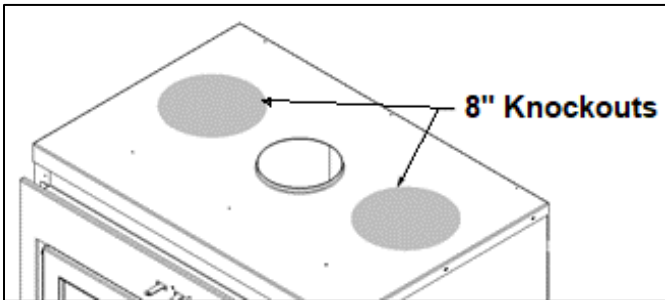


Figure 3-17: 8 Inch Knockouts for Gravity Kit

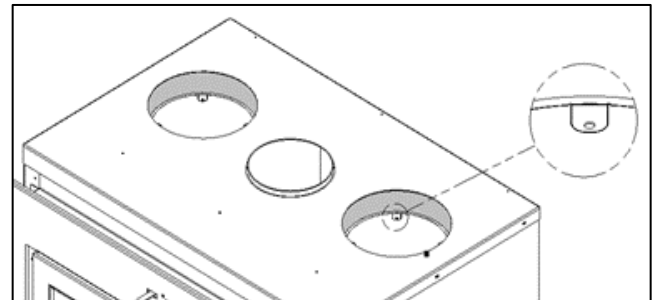


Figure 3-18: Tabs Inside the 8 Inch Knockouts

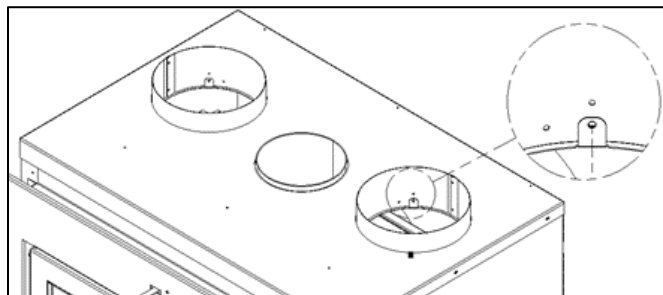


Figure 3-19: Tabs Inside the 8 Inch Knockouts

### 3.4 Gravity Kit Installation

The Clean Face surround comprises no louvers; however, an intake into the chase and an outtake through gravity ducts is required for this configuration. The instructions below describe the installation of the intake openings, and the gravity ducts/outtakes. Note that in order to connect the gravity ducts to the sides of the chase, the sides of the chase need to be constructed and the front of the chase needs to remain open; to connect the gravity ducts to the front of the chase, the sides need to remain open and the front of the chase needs to be constructed (Figure 3-18). Please note that the SUPREME KG540 kit and the UCAC8 semi-rigid insulated ducts are required for the Gravity Kit installation (Figure 3-17).

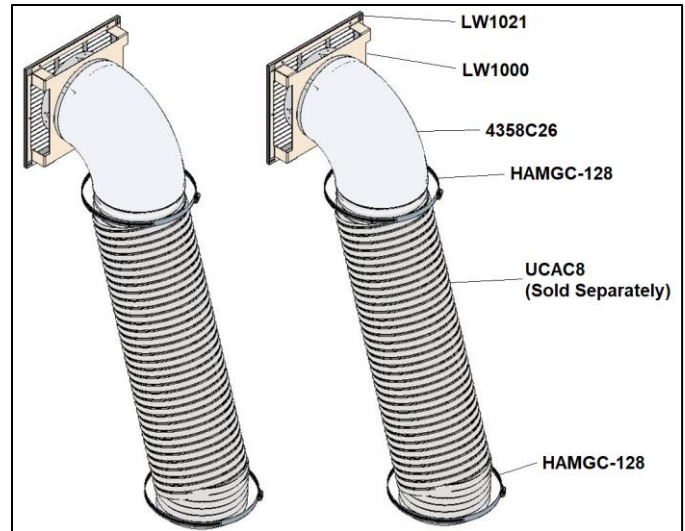


Figure 3-17: KG540 Assembly Diagram

1. Remove the two 8" knockouts (2) at the top of the unit using a flat head screwdriver.

2. Using the knockout as a template, cut the exposed insulation. Make sure to remove any pieces of insulation that has fallen into the unit.

3. Install the 8 inch flange adapters (Item 7 in Figures 3-15 and 3-16) through the newly cut knockouts and screw them to the top of the unit. Make sure to bend the tabs of the adapters before installation.

4. Determine the two locations of the air intakes on the chase and cut a rectangular opening 10.5" (W) X 9.5" (H). Note that a distance of 3" is required from the floor.

5. Determine the two locations of the air outtakes on the chase and cut a rectangular opening 10.5" (W) X 9.5" (H). Note that a minimum distance of 64" is required from the floor and a minimum of 6" is required from the ceiling (Figure 3-23). Please note that the air outtake grilles can be installed in the same room or in different rooms from each other.

If the grilles are installed at different heights, more heat will be distributed to the highest one.

6. From the exterior of the chase, place the duct/louver adapter into the air outtake hole and secure it onto the wall with screws. Repeat for the other outtake.

7. Within the chase, place the grooved end of the adjustable 45° elbow into the flange of the duct/louver adapter and secure it using aluminum tape. Repeat for the other outtake.

8. Measure the distance between the flange adapter on top of the unit and the flange of the duct/louver adapter and cut the 8" semi-rigid insulated duct (SUPREME part number UCAC8) to the necessary length. Repeat for the other outtake.

9. Complete the connections by sliding the ducts over the flange adapters and the flanges of the duct/louver adapters and tighten both ends with the worm gear clamps.

10. From the exterior of the chase, fasten the grilles over the intake and outtake openings with the beige screws.

Table 3-6: KG540 Components

ITEM	DESCRIPTION	QTY	ILLUSTRATION
LW1021	11"x 12" grille for intakes and outtakes	4	
LW1000	Duct/louver adapter	2	
4358C26	45° elbow, 8" diameter	2	
HAMGC-128	8" worm gear clamp	4	

**WARNINGS:**

- The gravity ducts must extend upwards from the top of the unit and cannot exceed 10 feet.
- The ducts should never extend downwards; only horizontally or upwards.
- The air outtakes must be installed at a minimum of 64 inches from the floor.
- The gravity ducts must not be connected to a central heating system.
- A clearance must be maintained between the gravity ducts and the chimney.
- The intake swivel covers at the bottom sides must remain open for all Clean Face installations. Refer to Figure 3-13.
- Refer to Figure 3-21 for clearances to combustibles.

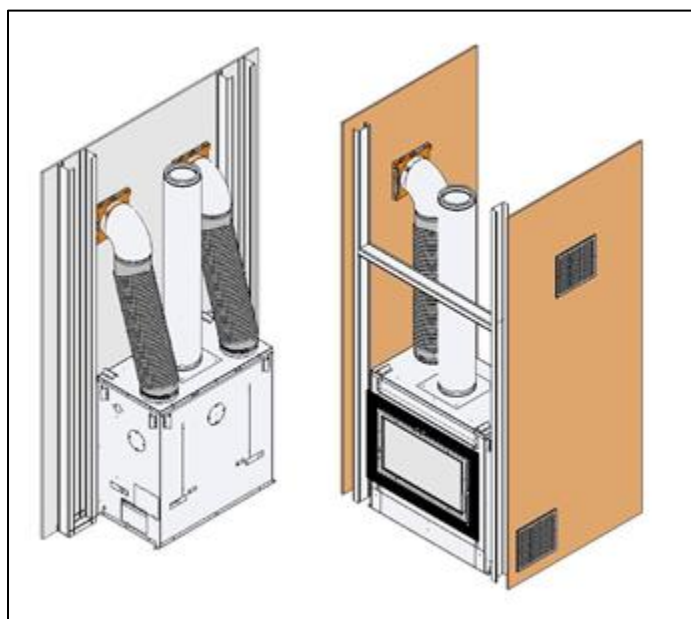


Figure 3-18: Gravity Kit Installation

### 3.5 Framing

The Elegance 36 can be placed directly onto or against normal, combustible construction materials such as lumber, plywood, millboard, particleboard, drywall and decorative wood paneling. The fireplace should NOT be placed directly against or be in contact with an insulation material. A portion of the framing on the face of the chase must be constructed with nominal 2" x 3" or 2" X 4" metal studs and the remainder can be constructed with nominal 2" X 3" or 2" X 4" lumber. Refer to Figure 3-19 for framing design. The framing must be nailed or screwed onto the floor and to the ceiling.

**CAUTION:** Respect the framing design outlined in Figure 3-19 as well as the chimney manufacturer's clearances to combustibles.

**WARNING:** Do not nail or screw framing components onto the fireplace.

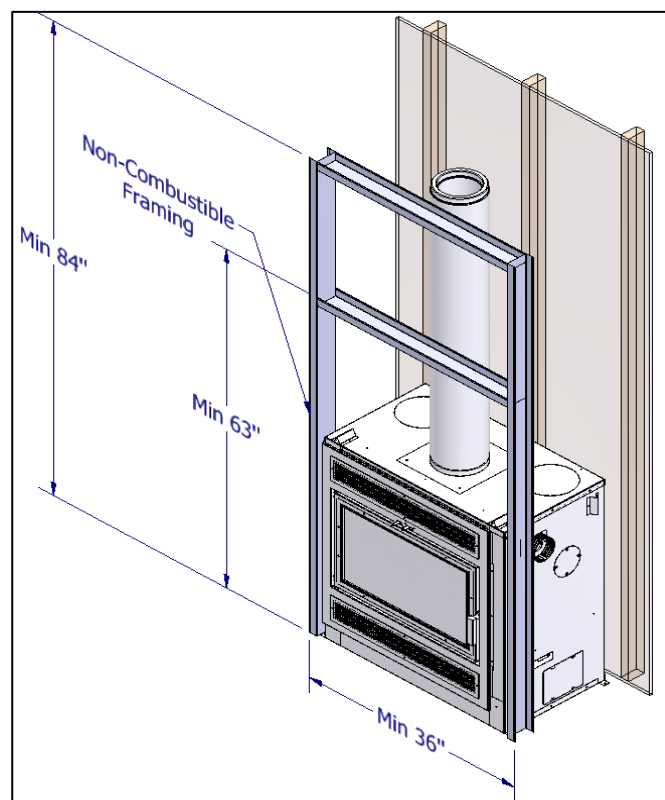


Figure 3-19: Minimum Elegance 36 Framing Dimensions

### 3.6 Hearth Extension

The hearth extension of the Elegance 36 must comprise of a non-combustible material, such as steel, cement or mortar, bricks, or ceramic tiles. Note that unidentified materials may be combustible; verify product specifications prior to installation. In addition, the non-combustible hearth extension must be constructed of materials having a **minimum R-Value of 0.390** (refer to Section 3.6.1). The hearth extension must extend a minimum of 18 inches from the front of the door, 8 inches from side of the outer frame of the door, and extended all the way to the unit (see Figures 3-20 and 3-21 for dimensions).

**CAUTION:** Make sure to remove any carpet or fabric under the hearth extension.

Note: If the fireplace is raised a minimum of 4 inches from the hearth extension, the R-Value is negligible.

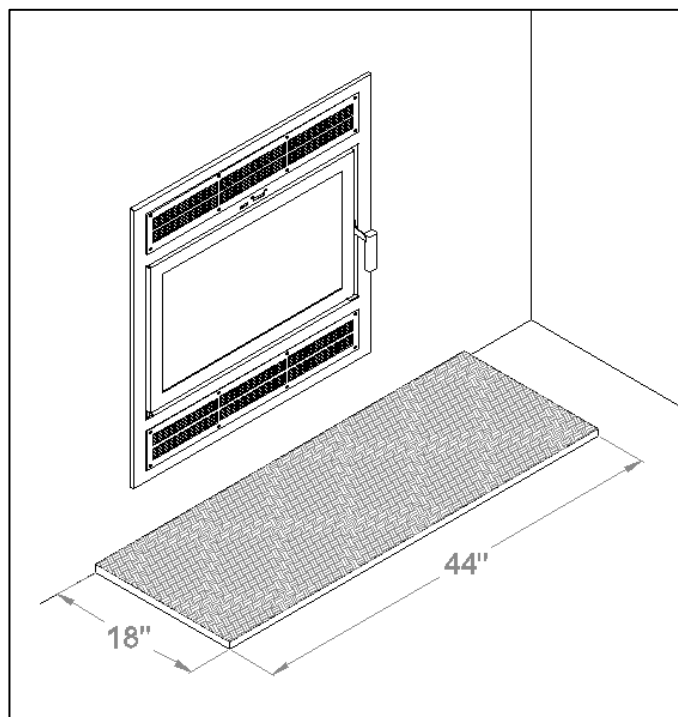


Figure 3-20: Hearth Extension

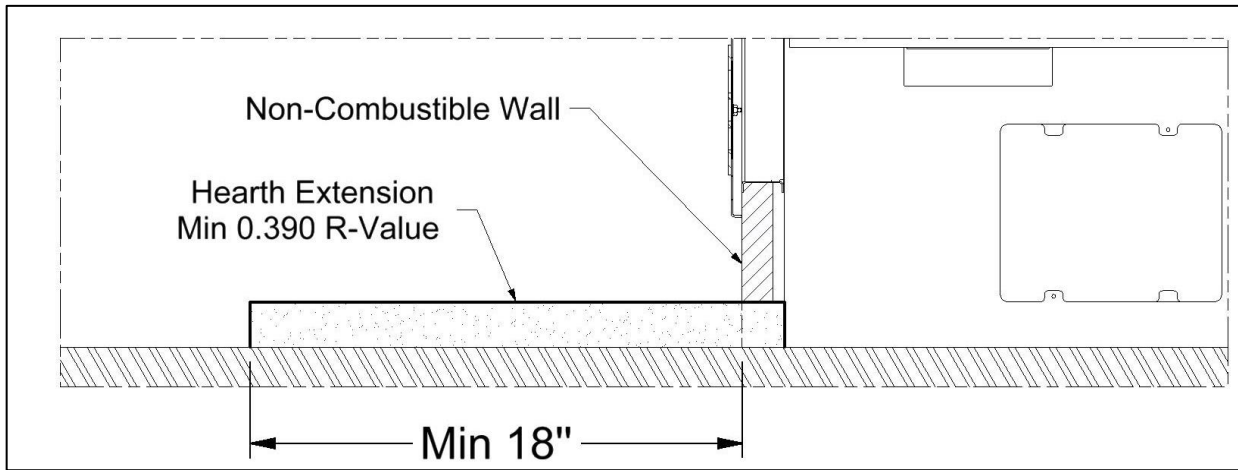


Figure 3-21: Hearth Extension Extended to Unit

### 3.6.1 Calculating R-Value

The R-Value is a measurement of a material’s insulating properties with respect to a referenced thickness (see Table 3-7). The total R-Value of the hearth extension constructed out of different materials can be calculated by summing the R-Value of each material with respect to the thickness (see equation below).

Table 3-7: Thermal Properties of Materials

Material	Thermal Resistance [R-Value] per Inch	Thermal Conductivity [k-Value] per Inch
Cement Board (Durock)	0.780	1.282
Brick	0.200	5.000
Limestone	0.153	6.536
Slate	0.100	10.000
Concrete	0.095	10.526
Marble	0.090	11.111
Granite	0.083	12.048
Ceramic Tile	0.080	12.500

$$R_{\text{Total}} = (R_1 \times T_1) + (R_2 \times T_2) + (R_3 \times T_3) + \dots$$

Note the k-Value per inch can be converted to an R-Value per inch using the following formula:

$$R = \frac{1}{k}$$

Example:

A hearth extension is constructed out of 4” of concrete with ¼” ceramic tiling. The total R-Value is:

$$R_{\text{Total}} = (R_{\text{con}} \times T_{\text{con}}) + (R_{\text{cer}} \times T_{\text{cer}}) = (0.095 \times 4") + (0.080 \times 0.25") = 0.400$$

As 0.400 is greater than 0.390, this hearth extension meets the requirements for the Elegance 36.

### 3.7 Chase Installation

A portion of the front of the chase must be constructed out non-combustible material. Refer to Figure 3-22 for dimensions. Note the chase must be properly fastened onto the framing structure.

**WARNING: Do not nail or screw the chase onto the fireplace.**

For the Clean Face surround option, two intake and two outtake openings must be constructed onto the chase. Refer to Figure 3-23 for minimum clearances.

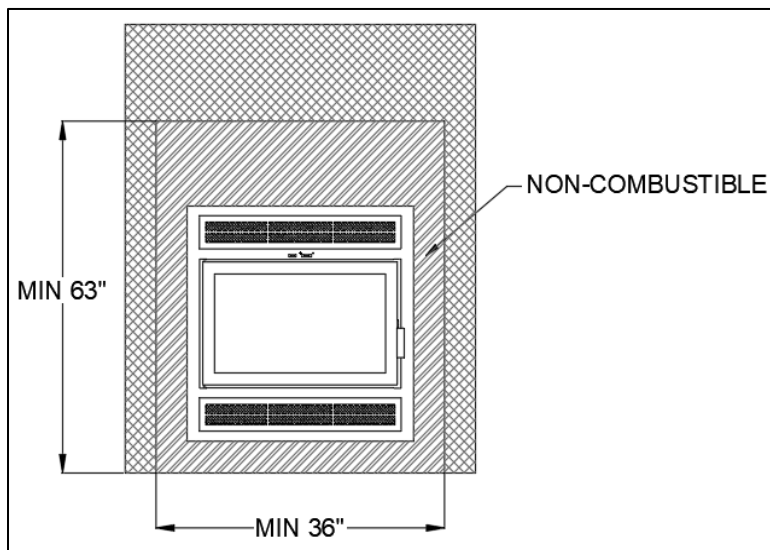


Figure 3-22: Traditional Elegance 36 Chase

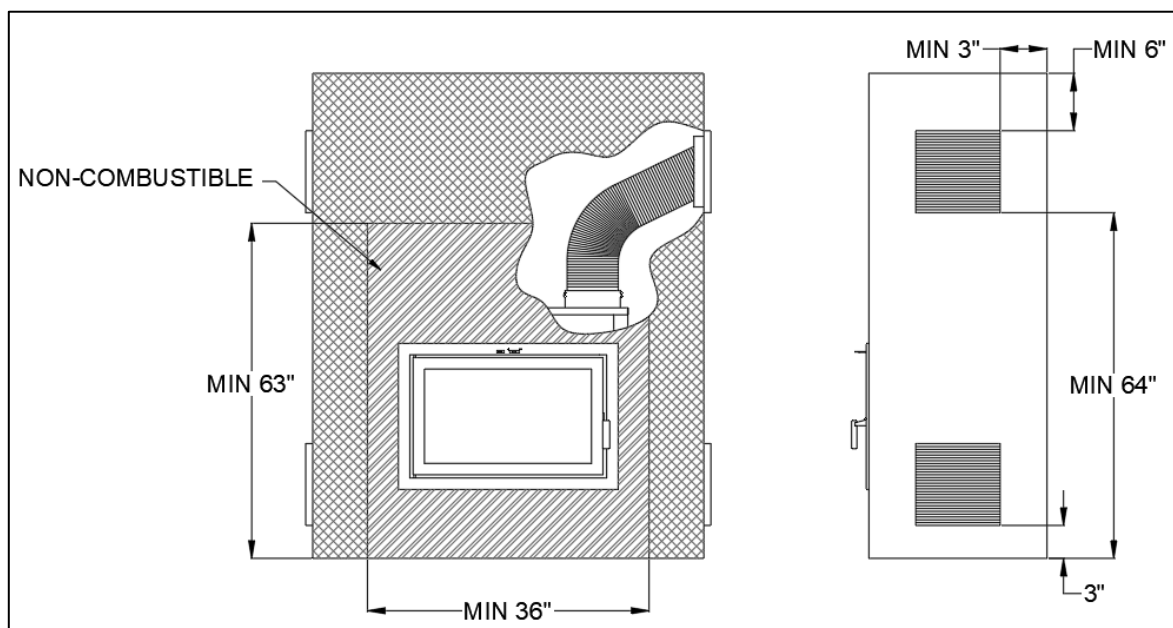


Figure 3-23: Clean Face Chase

### 3.8 Clearances to Combustibles

The clearances below must be respected to ensure safe operation of the unit under normal and extreme conditions. Failure to follow the information below is a safety hazard and may result in property damage.

Table 3-8: Overall Clearances

Combustible	Clearance	Reference
Side Wall	16" (406 mm)	Outer edge of fuel door
Side Trim	3" (76 mm)	Outer edge of fuel door
Ceiling	84" (2133 mm)	Base of unit

Table 3-9: Combustible Mantel Clearances

Maximum Mantel Depth	Distance from the Base of the Elegance 36 to the Bottom of the Mantel
3" (76 mm)	51.5" (1308 mm)
5" (127 mm)	53.5" (1359 mm)
7" (178 mm)	55.5" (1410 mm)

The depth of the mantel is measured from the face of the fireplace door. When the non-combustible wall is recessed, the depth of the mantel can be increased by the amount of the recess (see Figure 3-24). Note that a mantel cannot be installed below the minimum clearance of 51.5 inches (from the bottom of the mantel to the base of the unit). A non-combustible mantle doesn't require a minimum distance from the fireplace.

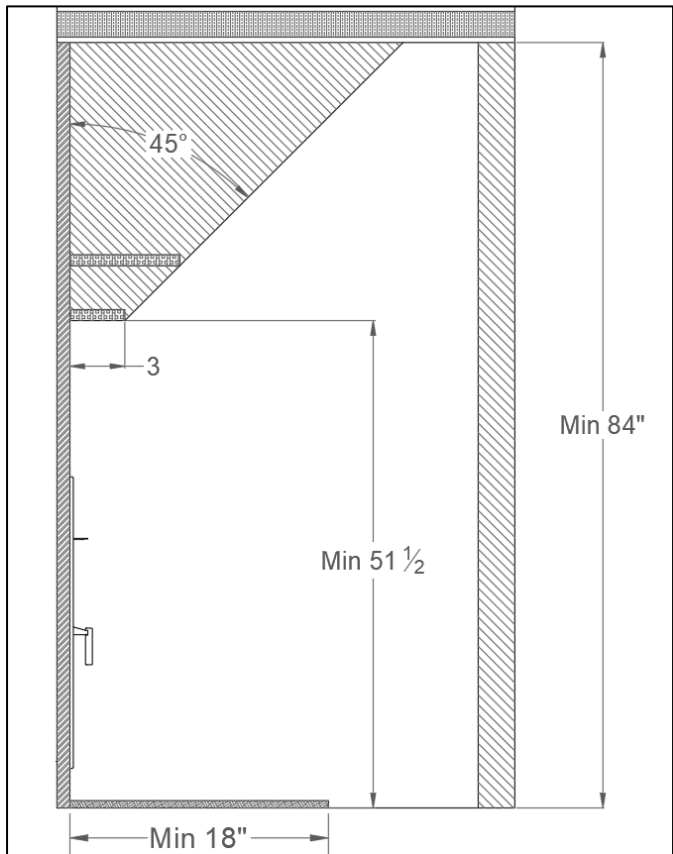


Figure 3-24: Mantel Clearances



## 4 OPTIONS

### 4.1 Blower Kit

The Elegance 36 can be installed with a high performance 130 CFM blower kit, which has an electrical rating of 115 V, 60 Hz, and 56 W. A variable speed control (rheostat) and a heat sensor (therm-o-disc) are included with the kit.

**WARNING: Only a blower provided by SUPREME FIREPLACES INC. can be installed into the fireplace. Substituting the blower kit may result in overheating, will void the warranty and can be hazardous.**

The electrical connections are to be performed by a certified electrician. Note that it is recommended that the wiring of the blower kit be done before the installation of the surround kit. The blower and the electric box are located respectively at the back/bottom and at the front/bottom of the unit (Figure 4-1).

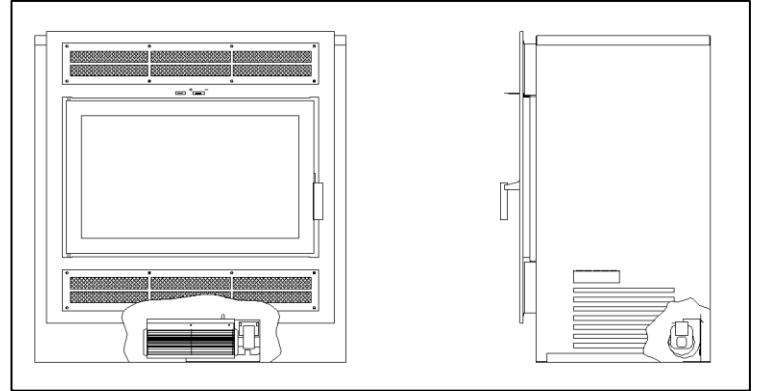


Figure 4-1: Location of Blower

For maintenance or replacement purposes, the blower and the electrical box are accessible from within the bottom of the firebox (Figure 4-3). 1) Remove the floor plate. 2) Disassemble and remove the stainless steel cover on the bottom of the firebox by unscrewing it. Take caution to the therm-o-disc and wiring assembled onto the stainless steel bracket.

The following are instructions on installing the blower kit into the Elegance 36 (refer to Figure 4-2 for the electrical diagram):

1. Using two screws, install the therm-o-disc onto the L bracket located under the firebox.
2. Connect the black wire of the power supply to the therm-o-disc.
3. Connect the therm-o-disc to the black wire of the rheostat (install/mount the rheostat at a convenient location).
4. Connect the white wire of the rheostat to the blower.
5. Connect the blower to the white wire (neutral) of the power supply.
6. Ground the connection with the green wire in the electric box.

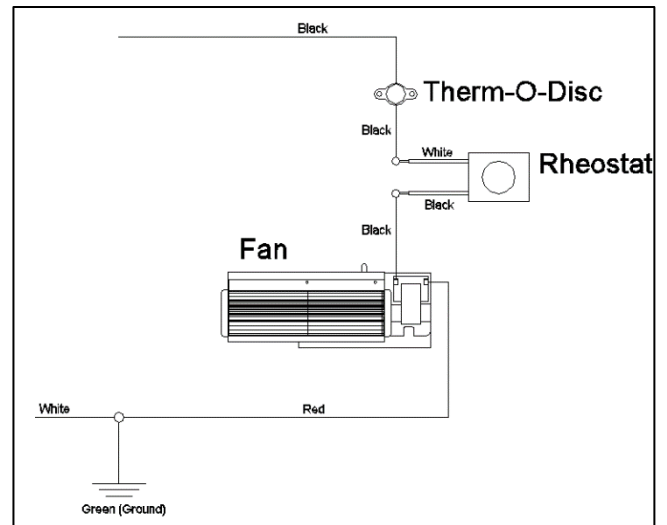


Figure 4-2: Electrical Diagram

Once the electrical connections are completed, the blower will turn on and turn off automatically during the operation of the unit. As the temperature of the fireplace increases and the therm-o-disc reaches 95°F, the blower will turn on. Note that the average time it takes for the blower to activate is between 30 to 45 minutes after starting a fire. The blower will turn off once the fireplace has cooled down and the therm-o-disc is 85°F. The speed of the blower can be adjusted with the variable speed control (rheostat) mounted on the wall. It is safe to operate the Elegance 36 in the event of a power failure (blower not powered).

Note: The blower sits on a fixture. If the blower needs to be removed for maintenance, the fixture's pin needs to be unbent and the blower can then be removed by lifting it upwards, out of the fixture. See Figure 4-4.

**WARNING:** Make certain that the fireplace is not in operation and the blower is unplugged (breaker off) before accessing the electrical wiring of the blower kit.

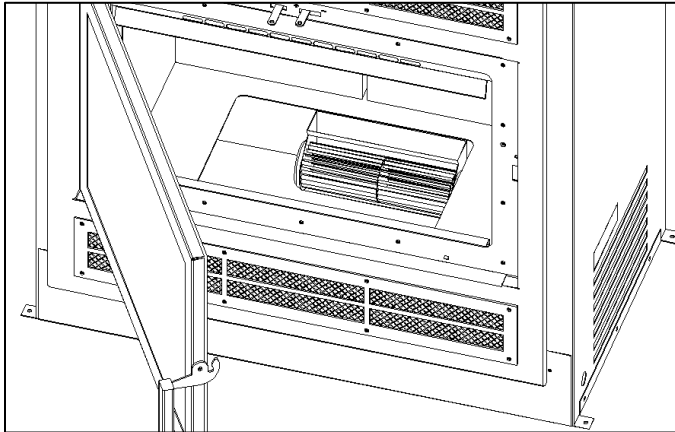


Figure 4-3: Access to Blower

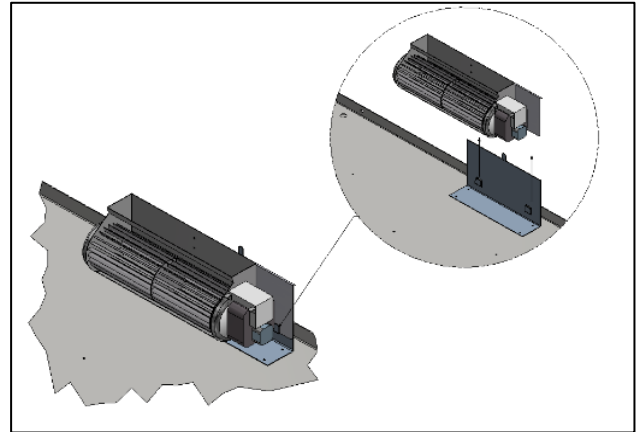


Figure 4-4: Blower and its Fixture

## 4.2 Hot Air Kit

The hot air system is an optional kit intended to bring hot air from the fireplace to a remote area using a 245 CFM blower. The system is designed to distribute heat with ducting lengths up to 25 feet. Note that only an insulated flexible duct capable of withstanding a minimum temperature of 210°F can be installed with this kit. Note that a minimum distance of 12 inches is required between the side of the unit connecting to the hot air kit and the framing to allow significant space (refer to Figure 3-3). It is possible to install up to three air ducts and to direct the ducts upwards or downwards.

**CAUTION:** Only a hot air kit provided by SUPREME FIREPLACES INC. can be installed onto the fireplace. Substituting the hot air kit may result in overheating, will void the warranty and can be hazardous.

### WARNINGS:

- The blower must not be installed in the fireplace casing.
- The minimum wall opening to run the duct is 6" x 7.5".
- When the hot air duct passes through the chase of the fireplace, the minimum distances to combustible materials must be respected. The duct must be secured to prevent accidental displacement.
- The minimum distance between the blower and the fireplace is 3 feet.
- The duct must not be in contact with the top of the fireplace.
- Do not use a speed control for the blower.

Parts List			
ITEM	QTY	PART NUMBER	DESCRIPTION
1	4	CLP	Clamp
2	1	701710	Blower
3	1	BLC	Blower-Duct Connector
4	2	UCAC5	Hot Air Duct *
5	1	FDC	Fireplace-Duct Connector
6	1	HAG	Hot Air Grill
7	1	WDC	Wall-Duct Connector

\* Item not included

Figure 4-5: Hot Air Kit Parts List

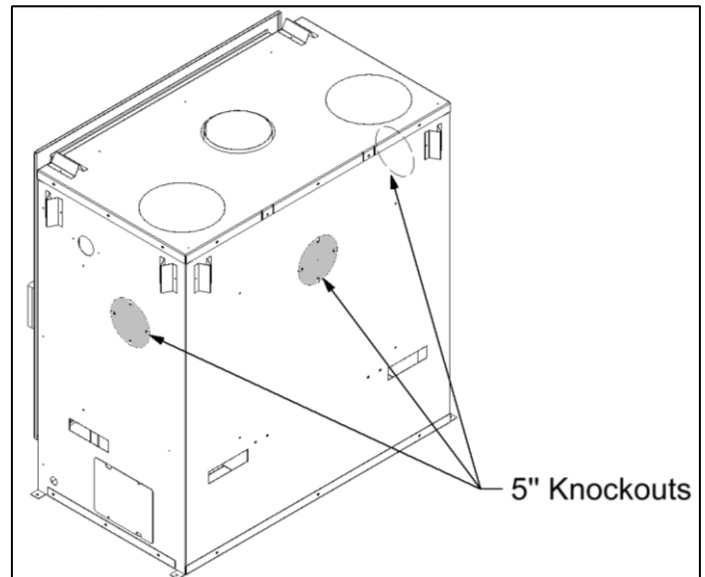


Figure 4-6: Hot Air Kit Knockouts

- The top of the hot air grille must be a minimum of 2 inches away from a flat ceiling.
- The hot air grille must be installed in a location that ensures the effective dispersion of the hot air.
- The hot air grille cannot be installed on a floor.
- If the grille is installed near a wall or ceiling, the grille openings must be positioned in such a way to direct hot air away from the wall or ceiling.

### Installation:

1. Remove the 5" knockout on the exterior casing of the fireplace using a flat head screwdriver (Figure 4-6).  
**WARNING: Only remove the knockouts that will be connected to a hot air kit system.**
2. Install the fireplace duct connector (FDC - #5) on the opening using four screws.
3. In the room where the heat will be distributed, cut an opening of 6" X 7.5".
4. Find a suitable location to install the blower (701710 - #2).  
Install the wall-duct connector (WDC - #7).
5. Install the air duct (UCAC5 - #4)\* and secure it with a clamp (CLP - #1). The exterior of the insulated duct can be in contact with combustible materials.
6. Install the wall grille (HAG - #6).
7. Make the electrical connections (Figures 4-7 and 4-8). Note that the power supply to the blower is 115V.

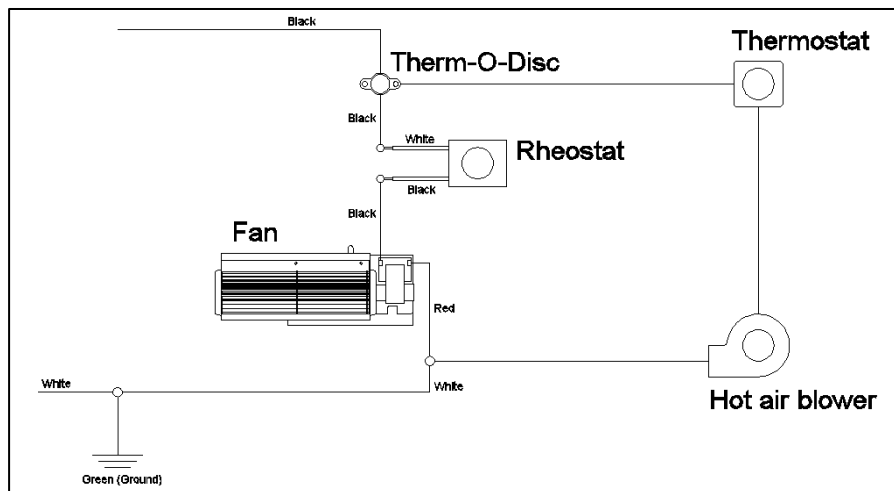


Figure 4-7: Electrical Diagram for Parallel Connection of Hot Air Kit and Blower Kit

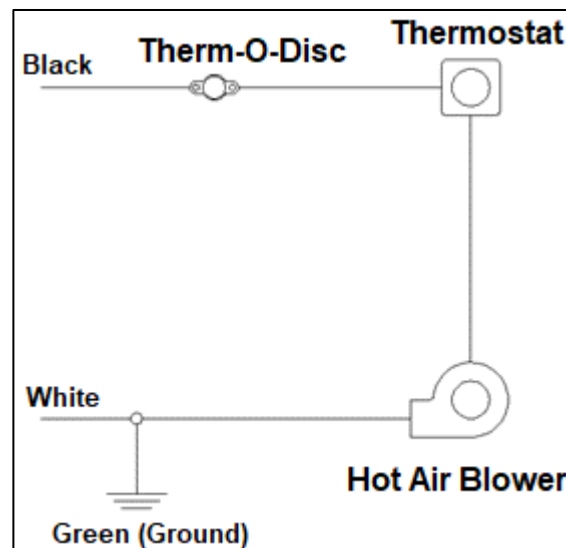


Figure 4-8: Electrical Diagram for Hot Air Kit

## 4.3 Fresh Air Kit

Sufficient air exchange is necessary for the fireplace to operate properly and to maintain a good combustion. In an airtight household, the fireplace may not function as designed due to a lack of air; it is therefore recommended to install the fresh air kit in such cases. The fresh air system is an optional kit intended to bring combustion air into the fireplace from an exterior source. Note that a minimum distance of 12 inches is required between the side of the unit connecting to the fresh air kit and the framing to allow significant space (refer to Figure 3-3).

Note that the Elegance 36 is designed to use a minimum amount of air during operation. Using an air exchanger or simply opening a nearby window/door during the ignition of the unit will achieve a similar result as the fresh air kit. When the fireplace is idle, there is no air escaping from the house through chimney. **Consult a local authority having jurisdiction (such as the fire department, the municipal building department, the fire prevention bureau) to determine if it is mandatory to install a fresh air kit in your area.**

### General Notes:

The outside air kit should be installed according to the following guidelines:

- The air duct must be insulated, wrapped with a vapor barrier, and have an inner diameter of 4 inches.
- The length of the air duct should be as short as possible and should not exceed 10 feet.
- Fresh air must come from the outside and not from another room or the attic.
- The outside register must be away from automobile exhaust fumes, gas meters, or other vents.
- Avoid installing the air register where it will likely be covered by snow or exposed to strong winds.
- The air register can be installed above or below the level of the fireplace.
- Use the SUPREME FIREPLACES INC. Fresh Air Adapter (ADP4) provided with the unit.
- Use the SUPREME FIREPLACES INC. Fresh Air Kit (UPEA4).

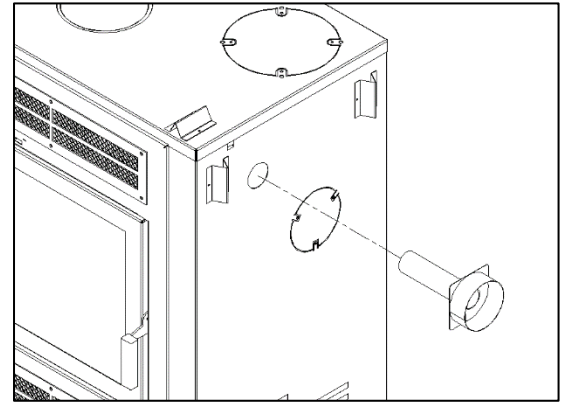


Figure 4-8: ADP4 Installation in Fireplace

### Installation:

1. Cut 4 ½" diameter hole on the exterior wall of an ideal location.
2. Install the air register on the exterior wall.
3. Insert the fresh air adapter (ADP4) into the fireplace from the exterior casing. Make sure that the adapter is properly inserted into the combustion air box on top of the firebox.
4. Secure the fresh air adapter to the side of the fireplace using two screws.
5. Install the air duct and secure it with worm gear clamps.

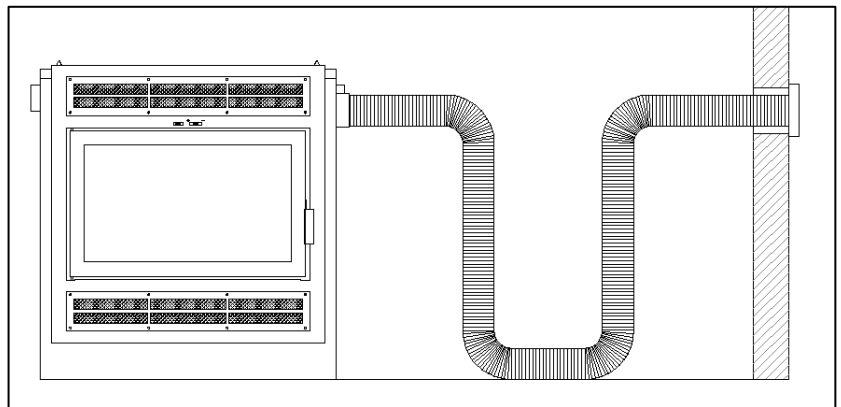


Figure 4-9: Installation of Fresh Air Kit

# 5 OPERATION INSTRUCTIONS

## 5.1 Fuel

The Elegance 36 is designed to burn natural wood only. Higher efficiencies and lower emissions generally result when burning air dried seasoned hardwoods (moisture content below 20%), as compared to softwoods or to green or freshly cut hardwoods. The following are a few signs indicating that firewood is sufficiently dry for use: (a) cracks on the ends and surface of the logs, (b) lighter in weight, and (c) color (yellow/grey). It is recommended to use a moisture meter with pin sensors for determining accurately the moisture content of firewood (read manufacturer's instruction manual before operating). The optimum log length is 18-22 inches, preferably split in halves or quarters and left to dry under a cover or away from external elements for a minimum of one year prior to use. Use good quality dry cordwood only. DO NOT burn garbage, lawn clipping, yard waste, materials containing rubber (including tires), materials containing plastic, waste petroleum products, paints, paint thinners, asphalt products, materials containing asbestos, construction debris, demolition debris, railroad ties, pressure-treated wood, manure, animal remains, coal, salt water driftwood or other previously salt water saturated materials, unseasoned wood, paper products, cardboard, plywood, particle boards, or other foreign materials in this product. The prohibition against burning these materials does not prohibit the use of fire starters made from paper, cardboard, saw dust, wax and similar substances for the purpose of starting a fire in an affected wood heater. Burning these materials may result in release of toxic fumes or render the heater ineffective and cause smoke. Do not over fire the Elegance 36 fireplace. Over firing will damage the fireplace, is hazardous and will void the warranty. NOTE: Gas logs cannot be installed in the Elegance 36 fireplace.

**WARNING: Never use gasoline, gasoline-type lantern fuel, kerosene, charcoal lighter fluid, or similar liquids to start or "freshen up" a fire in this fireplace. Keep all such liquids well away from the fireplace while it is in use.**

Ecological or compressed logs containing chemical additives are not tested and approved to be used with the Elegance 36. Using them will overheat and damage the fireplace and void the warranty. Ecological or compressed logs that are 100% wood and contain no other additives can be safely used in the Elegance 36. Never use more than three of these logs at a time. Using more is not only dangerous, but will damage the fireplace and void the warranty. Follow the ecological log manufacturer's safety guidelines and recommendations and be sure that they are intended for use in fireplaces. Reload only once the previous load of wood has been consumed and only embers remain.

**WARNING: Do not keep the door open while the fireplace is in operation.**

## 5.2 First Fires

For the first three fires, burn a maximum of three logs at the medium to low burn rate (refer to Section 5.3) to allow for proper conditioning of the unit. Newly quarried Soapstone naturally contains moisture that must be slowly expelled by building smaller fires, otherwise the high temperatures can crack the stone.

### CAUTION:

- Never throw wood into the fireplace. The impact can cause the soapstone to crack.
- Only use dry firewood.
- Do not use a fireplace grate in the Elegance 36.

Due to oil residues and the curing of the paint of the fireplace, it is normal to smell an odor for the first fires of the Elegance 36. Open a window or a door near the fireplace to ventilate the house during the first fires. Oil residues may cause light smoking.

## 5.3 Operating the Combustion Air Control

The burn rate and the heat output are related to the amount of air entering into the firebox. The combustion air control of the Elegance 36 has two components: the Activator and the Burn Rate Selector (see Section 2.2). When starting the fire or when adding a new charge of wood, the fireplace needs additional air in order to establish a good fire. When the wood starts to burn properly, the amount of air can be reduced depending on the heating requirements.

The left combustion control lever is the Activator. When starting a fire or adding a new load of wood, the Activator must be pushed in to allow maximum air to enter the firebox. The right combustion control lever is the Burn Rate Selector. The Burn Rate Selector can slide sideways to achieve different burn rates. When the Burn Rate Selector is positioned to the left, a maximum burn rate is achieved and when it is positioned to the right, a minimum burn rate is set. Keeping the Burn Rate Selector to the right will burn the wood slower. Keeping the Burn Rate Selector to the left will provide a stronger fire and keep the glass of the fireplace cleaner for longer. Adjust the burn rate according to your heating requirements and the quality of your wood. The combustion air control will automatically and gradually close the primary air source to the selected burn rate setting (right lever) with the presence of heat to maximize the burn time.

**NOTE:** The Burn Rate Selector can remain at the same setting at all times if the burn rate is satisfactory. However, the Activator must be pushed in when starting a fire or when adding a new load of wood.

**WARNING:** The combustion air openings should never be obstructed.

**WARNING:** Never manipulate the Combustion Air Control with bare hands as it gets hot when the Elegance 36 is in operation. Use the Cold Hand Key (see Section 2.4) to adjust the Combustion Air Control.

**WARNING:** This wood heater has a manufacturer-set minimum low burn rate that must not be altered. It is against federal regulations to alter this setting or otherwise operate this wood heater in a manner inconsistent with operating instructions in this manual.

## 5.4 Starting a Fire

The Elegance 36 has patented technologies and innovative features that make starting a fire quick and easy. Before starting a fire, assure that all the safety precautions mentioned in the owner's manual are being respected. The following instructions describe starting a fire in Elegance 36 fireplace using a "top-down" approach, which results in a cleaner, more efficient, and longer burn:

- a) Place two logs in the firebox. The logs should sit directly on the hearth from left to right (parallel with the door). Do not use a fireplace grate.
- b) Place a third log at angle above the two logs of step a).
- c) Place a fourth log above the logs of step a) and step b) (tilted upwards), which will result in a "pocket" at the center of the firebox.
- d) Push the left combustion control lever (the Activator) inwards.
- e) Slide the right combustion control lever (the Burn Rate Selector) to the desired burn rate. Positioning the Burn Rate Selector towards the left is for maximum burn rate and towards the right is for minimum burn rate.
- f) Place and ignite a firestarter within the "pocket". Make sure that the firestarter is visible from the opening (facing the front) and directly below the logs of step b) and step c).
- g) Once the firestarter is well lit, close the door. Do not leave the door open for more than 2 minutes.

**CAUTION:** The wood should be placed away from the door to avoid damage to the glass.

**WARNINGS:** Over firing the unit may result in overheating and can damage the fireplace and/or result in fire hazards. The maximum firewood load must not exceed four medium sized logs (approximately 30

pounds). This fireplace has been designed to burn with the door closed. When the fireplace is being used, the door should remain closed at all times. Failing to do so is a safety hazard, will damage the fireplace and void the warranty.

**WARNING: Do not use fire accelerants to rekindle the fire if the first attempt to start the fire failed. Do not open the door. Simply reactivate the Activator by pushing it inwards.**

NOTE: Sufficient air exchange is necessary for the fireplace to operate properly. Air is required in order to maintain the combustion of the fireplace. If the house is airtight, the fireplace may not function properly. If the fireplace is deprived of air, it will be necessary to provide a source of fresh air into the dwelling. This may be done by using an air exchanger unit or simply by opening a window or a door near the fireplace partially for a few minutes. Make sure that other equipment such as the kitchen exhaust fans or oil central heating systems does not affect the fireplace functionality. Large return ducts of central heating systems located in the same room as the fireplace may affect the proper functioning of the unit and may cause smoking.

## 5.5 Adding a New Load of Wood

WARNING: Open the door to reload only when the wood has been reduced to embers, otherwise there is a risk of smoke infiltration into the house.

When the wood has been reduced to embers and there's no visible flame, you may add a new load.

- a) Crack the Elegance 36 door open and wait a few moments before opening the door completely.
- b) Use your fireplace tools to gather the remaining embers at the center of the firebox.
- c) Activate the Activator by pushing it in.
- d) Once the embers begin to glow red, add the new load of wood in the firebox.
- e) Keep the door of the Elegance 36 slightly unlatched until you see a flame in the firebox. Never leave the Elegance 36 door unlatched without constant supervision.
- f) Completely latch the Elegance 36 door.

Assure that a flame is maintained. Avoid wood smoldering on top of embers as this will result in a dirty glass, excessive emissions, chimney creosote buildup and poor heat output. If wood is smoldering, ensure the Activator has been activated and unlatch the door slightly with supervision until a flame has been maintained.

## 5.6 Blower Operation (Optional)

The optional blower kit for the Elegance 36 consists of a blower mounted at the back/bottom of the unit and a heat sensory therm-o-disc; the blower will start and stop automatically in the presence and absence of heat respectively. A variable speed control allows the adjustment of the speed of the blower. Do not install a substitute kit as this may result in overheating and risk of fire. Refer to Section 4.1 for the installation instructions of the optional blower kit.

When the fireplace gets hot and the therm-o-disc reaches 95°F, the blower will turn on. The average time it takes for the blower to activate is 30 to 45 minutes after starting a fire as explained in this manual (Section 5.4). The blower will turn off once the fireplace has cooled down and the therm-o-disc reaches 85°F. The speed of the blower can be adjusted with the variable speed control.

## 6 TROUBLESHOOTING

### 6.1 Backdraft / Smoking

Draft is the force created by a difference in pressure, which moves air from the appliance up through the chimney. It is important to operate the Elegance 36 with proper draft to ensure optimal performance of the unit. Draft is depended on the length of the chimney, local geography, nearby obstructions and other factors. Proper draft results in an upwards flow through chimney, which prevents smoke infiltrating into the house during operation of the unit. As the temperature of the unit and chimney rises during combustion, the draft consequently increases due to a higher difference in pressure.

In contrast, backdraft is air flow from the chimney into the house, which results in smoke infiltration from the appliance and/or the chimney joints during operation. The unit is experiencing backdraft if air is flowing out from the exhaust of the baffle system (within the firebox). Backdraft is most commonly caused by fans around the house (such as in the kitchen and bathrooms) simultaneously in operation, insufficient length of the chimney (less than 15 feet), or a blocked chimney. Refer to the following suggestions to eliminate backdraft:

- Close any fans operating around the house (specifically for the duration of ignition).
- Clean the chimney of any obtrusions (when the unit is cold).
- Open one window or one door near the Elegance 36.
- Heat the chimney by burning newspaper near the exhaust of the baffle system.

### 6.2 Over Firing

The appearance of a red glow on the exterior of the firebox (top and sides) and/or on the flue is a sign of over firing. Excess air entering the firebox, over fueling, or an abnormal strong draft causes the unit to reach drastic temperatures from an uncontrollable combustion. Over firing is a safety hazard and may result in permanent damage to the unit. In the occurrence of over firing:

- a) Make sure the Elegance 36 door is properly closed.
- b) Manually close the Combustion Air Control by pulling the Activator (left lever).
- c) If possible, turn on the blower to the maximum speed. The red glow on the exterior of the firebox and/or the flue should gradually disappear.

**WARNING: Do not touch hot surfaces with bare hands. Always wear heat protecting gloves and use fireplace tools.**

Guideline to avoid over firing:

- Always keep the door closed during operation.
- Inspect regularly the door gasket/glass and replace accordingly.
- Always operate the unit with the chimney sweeping cap in position, blocking the hole in the baffle.
- Never load more than 30 lbs of wood at a time.
- Ensure that there is no excess draft.

**WARNING: Failure to follow the above guideline will void the warranty. Over firing is a safety hazard, can cause irreversible damages to the Elegance 36 and will void the warranty.**



# 7 MAINTENANCE

## 7.1 Disposal of Ashes

Ashes should be placed in a metal container with a tight fitting lid. The closed container of ashes should be placed on a non-combustible floor or on the ground, well away from all combustible materials, pending final disposal. If the ashes are disposed of by burial on soil or otherwise locally dispersed, they should be retained in the closed container until all cinders have been thoroughly cooled. **CAUTION: Always wear heat resistant gloves when removing the ashes from the firebox.**

- a) Let the firebox cool to ambient temperature before removing the ashes. It is recommended to remove the ashes once the bed has exceeded a height of 4 inches.
- b) Slowly open the door to prevent ashes from coming into the room.
- c) Place an ash bucket (metal container) near the fireplace, onto the non-combustible hearth.
- d) Using a shovel and brush, remove the bulk of the ashes from the firebox into the ash bucket. Note that it is not necessary to keep a thin bed of ashes for the next fire.
- e) Store the ash bucket (with the tight-fitting lid) on a non-combustible surface, away from any combustible materials, pending final disposal.

## 7.2 Chimney Maintenance

**Creosote – Formation and Need for Removal:** When wood is burned slowly, it produces tar and other organic vapors, which combine with expelled moisture to form creosote. The creosote vapor condenses in the relatively cool chimney flue of a slow-burning fire. As a result, creosote residue accumulates on the flue lining. When ignited, this creosote makes an extremely hot fire. The chimney connector and chimney burning wood or coal should be inspected at least once every two months during the heating season to determine if creosote buildup has occurred. **Never use chemical cleaners for your chimney.**

**WARNING: In the case of a chimney fire: 1) close the door of the fireplace; 2) set the burn rate of the Combustion Air Control to minimum (Section 5.3); 3) call the local fire department (if assistance is needed); 4) use a dry chemical fire extinguisher (baking soda or sand) to control the fire.**

**CAUTION: Never use water to extinguish a fire as it may result to dangerous steam explosions. Do not use the unit until the chimney is inspected and repaired (if needed) by a qualified technician.**

**NOTE:** Do not clean the chimney when the unit is in operation/hot. Follow the instructions below for sweeping the chimney of an Elegance 36 fireplace:

- a) Open the door of the unit.
- b) From within the firebox, displace the chimney sweeping cap located in the baffle by lifting and moving it to the side.
- c) Close the door of the unit.
- d) Using an appropriate sized chimney sweeping brush, clean the chimney from any creosote buildup and other residues.
- e) Remove all the fallen/loose creosote/residues from the firebox and baffle system (a shop vacuum cleaner can be used for a thorough cleaning).
- f) Place back the chimney sweeping cap.

**CAUTION: Operating the unit without the chimney sweeping cap in position will result in over firing and void the warranty.**

## 7.3 Cleaning of Glass

It is recommended to clean the glass door with a soft cloth, dampened with a non-abrasive solution, such as soap and water.

**CAUTION: Cleaning the glass with an abrasive solution will result in surface scratches, reducing glass transparency and resistance to impacts.**

The glass of the door may be cleaned with commercial products intended for fireplaces and stoves. After cleaning the glass, remove any remaining solutions with a wet cloth to avoid chemical reactions at elevated temperatures ("cloudiness" on the surface of the glass).

**CAUTION: Do not apply commercial cleaners onto any painted surfaces as discoloration/peeling may occur.**

**NOTE: Never clean the glass when the unit is in operation or hot.**

## 7.4 Replacing Soapstone Slab

Four soapstone slabs are assembled along the combustion chamber side walls (left, right, and back) allowing for a longer and a constant heat output. It is recommended to perform a weekly check on the condition of the slabs to ensure proper operation of the unit. The soapstone slabs need to be replaced when it is gravely chipped and/or cracked. Failure to replace the soapstone slab under the mentioned conditions will alter the performance of the unit. Refer to the following instructions for replacing a soapstone slab:

- a) Order the replacement kit for the Elegance 36 soapstone slab.
- b) Remove the door from the firebox and place it face down on a soft surface. NOTE: Rotate the handle to permit proper placing.
- c) Remove the bottom plate (hearth) by lifting it out of the firebox.
- d) Slide the back wall soapstone slabs (2) by tilting the bottom and swivelling them out of the top retainer.
- e) Replace the damaged soapstone slab if it was removed in step d) and position the slabs back in place by swiveling them behind the top retainer.
- f) In the case of a damaged slab on the firebox side walls, replace the damaged slab and reposition the back wall slabs by swiveling them behind the top retainer.
- g) Insert the bottom plate (hearth) and door to its original position.

**WARNING: Do not operate the unit with any of the soapstone slabs missing.**

## 7.5 Replacement of Door Gasket

SUPREME FIREPLACES INC. assembles heat resistant graphite coated gaskets on the doors of all products, allowing for a proper seal of the unit at extreme temperatures (up to 1000°F). It is recommended to perform a weekly visual check on the condition of the 3/4" gasket to ensure proper operation of the unit. The 3/4" gasket of your door needs to be replaced when 1) the fibers of the gasket are coming loose and 2) the gasket is disintegrating. Failure to replace a gasket under the mentioned conditions can cause irreversible damage to the unit due to over firing. Refer to the following instructions for replacing the 3/4" gasket:

- a) Order the replacement kit for the Elegance 36 3/4" door gasket GSK\_25\_7.
- b) Remove the door from the firebox and place it face down on a soft surface. NOTE: Rotate the handle to permit proper placing.
- c) Cover all painted surfaces of the door to avoid damages.
- d) Using a wedging tool or flat head screwdriver, gently remove the old 3/4" gasket (along with the old silicone) from the door framing.
- e) Apply a bead of high temperature silicone along the groove of the metal brackets.

- f) Place the new 3/4" gasket around the door framing and cut any excess gasket with scissors. NOTE: It is recommended to tape the extremity of the gasket for a cleaner result.

Allow a significant amount of time (approximately 24 hours) for the silicone to cure before reinstalling the door onto the firebox. A slight resistance is expected when closing the door with the new 3/4" gasket; the door will close normally after the gasket has taken proper shape.

## 7.6 Replacement of Glass

SUPREME FIREPLACES INC. uses a high quality 5mm thick Pyroceram III / Keralite ceramic glass that can withstand temperatures up to 1300°F. It is recommended to perform a weekly visual check for any damages or cracks on the glass.

**WARNING: Avoid striking the glass and slamming the door shut. Never operate the unit with a broken or damage glass.**

**CAUTION: Wear protective gloves when handling broken glass.** Refer to the following instructions for replacing the glass:

- a) Order the replacement kit for the Elegance 36 glass.
- b) Remove, clean, and dispose any broken glass from the door and the surroundings.
- c) Remove the door from the firebox and place it face down on a soft surface. NOTE: Rotate the handle to permit proper placing.
- d) Using a wedging tool or flat head screwdriver, gently remove the 3/4" gasket (along with the silicone) from the door framing.
- e) Using a wrench, remove the 8 nuts fastened around the door framing.
- f) Remove the first row of metal brackets (2 small and 2 big) and thin gasket.
- g) Remove the damage glass and clean thoroughly the door framing from loose glass fragments.
- h) Place the new glass onto the second row of thin gasket, centered with the door framing.
- i) Place back the first row of metal brackets (2 small and 2 big) and thin gasket.
- j) Using a wrench, fasten the 8 nuts around the door framing (do not over-tighten).
- k) Apply a bead of high temperature silicone along the groove of the metal brackets.
- l) Place the 3/4" gasket back into position.

Table 7-1: Parts List of Door Assembly

ITEM	CODE	DESCRIPTION	QTY
1	DR-1100-*	Door frame assembly	1
2	DR_21375	Horizontal metallic bracket	4
2	DR_1325	Vertical metallic bracket	4
3	PYRO_24.875X14.75	Pyroceram glass	1
4	GSK_19_7	Thin gasket	2
5	GSK_25_7	Thick gasket	1
6	24SF0031	Door latch	1
7	SF0032	Wood pull handle	1

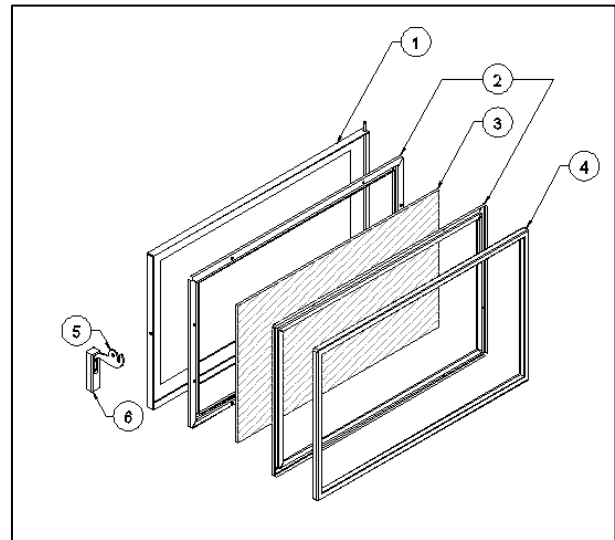


Figure 7-1: Exploded View of Door Assembly

Allow a significant amount of time (approximately 24 hours) for the silicone to cure before reinstalling the door onto the firebox.

## 7.7 Door Latch Maintenance

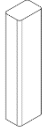



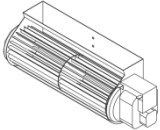
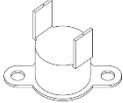
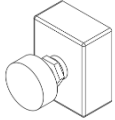
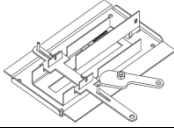


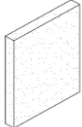
Lightly lubricate the hook of door latch (CM0031) on a yearly basis to prevent abrasive wear. Occasionally inspect the bushing of the door latch. If required, adjust the tightness of the latch bolt using a 5/32" hex key.

## 7.8 Paint

Paint touch-ups can be performed on the unit using a high temperature paint (in aerosol spray can format) by Stove Bright® in Metallic Black. Contact your local hearth shop for further information on purchasing this paint.

NOTE: Apply the paint in a well ventilated area. If applying paint to the door, properly cover/mask the glass of the door using painter's tape and cardboard. Wait for paint to dry before operating the unit. Refer to the instructions on the label of the aerosol spray can for proper paint application. **WARNING: Never apply paint to the unit during operation or when it is hot.**

## 8 PARTS LIST

Code	Description	Illustration
SF0032	Black wood pull handle	
PYRO_24.875"X14.75"	Pyroceram III / Keralite 5mm thick glass 24.875" X 14.75"	
GSK_19_7	Graphite coated square glass gasket, 0.3125" thick, 7" length	
GSK_25_7	Graphite coated square door gasket, 0.75" thick, 7" length	
55416.32130	AC tangential blower <u>Electrical rating:</u> 115VAC, 60Hz, 56W <u>Certification:</u> VDE, CSA, UL, CE	
THE	Thermo-disk <u>Electrical rating:</u> 120VAC, 15A <u>Certification:</u> UL/CSA	
CV	Speed Control <u>Electrical rating:</u> 2.5 Amps, 115VAC – 50/60Hz <u>Certification:</u> UL, ULC	
PA5000-01	Combustion Air Control	
CM0020	Cold Hand Key	
CPSP0301-01	Removable Ashlip	
24SF1175	Soapstone Panel 11.875" X 13" X 1.25"	

## 9 WARRANTY

SUPREME FIREPLACES INC. warrants that the factory-built fireplaces, fireplace inserts, and stoves will be free from defects in material and workmanship, under normal use and service, for a period of **twenty-five (25) years** from the date of purchase.

This warranty is only intended for the original retail purchaser, given that the product was purchased from SUPREME FIREPLACES INC. or one of its authorized dealers. This warranty is conditional upon correct installation and intended use of the products and does not cover damages caused by misuse. This warranty shall be void if the fireplace and stove is not installed by an authorized qualified technician in accordance with the installation instructions in the manual provided with this product. The installation must meet local and national building codes.

### WARRANTY LIMITATIONS:

Abuse and improper use of the unit may cause irreversible damage and will void the warranty.

- I. During the first two years of the Limited Warranty, SUPREME FIREPLACES INC. will provide replacement parts at no charge and will also pay for reasonable labor costs, except for the parts listed in the EXCLUSIONS portion of this warranty.
- II. During the third through the fifth year of the limited warranty, SUPREME FIREPLACES INC. will provide replacement parts (if available) at no charge, except for the parts mentioned in the EXCLUSIONS portion of this warranty. Supreme Fireplaces Inc. shall not be responsible for any labor costs.
- III. From the sixth through the twenty-fifth year of the limited lifetime warranty, SUPREME FIREPLACES INC. will provide replacement parts (if available) at 50% of the retail price, except for the parts listed in the EXCLUSIONS portion of this warranty. SUPREME FIREPLACES INC. shall not be responsible for any labor costs.

Transportation, packaging, and other related costs or expenses arising from the replacement or repair of defective parts will not be covered by this warranty, nor will SUPREME FIREPLACES INC. assume responsibility for them.

### EXCLUSIONS:

SUPREME FIREPLACES INC. shall not be responsible for any labor costs for the replacement or repair of any electrical components, painted/plated parts, secondary air burning system, and the combustion air control.

The following parts are guaranteed for 1 year: blowers, painted/plated parts, secondary air burning system, soapstone, and door gasket.

The following parts are guaranteed for 90 days: ceramic glass (**thermal breakage ONLY**).

This warranty applies to normal residential use only. Damages caused by acts nature or natural disasters, accidents, over firing, misuse, abuse, negligence, improper installation, alterations or substitutions of components of the fireplace, abrasives, chemical cleaners, and negligence are not covered by this warranty. Burning anything other than natural wood will damage your fireplace and void the warranty.

SUPREME FIREPLACES INC. will not be responsible for environmental conditions such as inadequate vents or ventilation, excessive venting configurations or negative air pressures which may or may not be caused by mechanical systems such as exhaust fans, furnaces, clothes dryers, etc.

The manufacturer at its discretion may decide to repair or replace any part or unit after inspection and investigation of the defect. The manufacturer may, at its discretion, fully discharge all obligations with respect to this warranty by refunding the wholesale price of the defective part(s).

The manufacturer shall in no event be responsible for any consequential damages of any nature, which are in excess of the original purchase price of the product. Any complete fireplace, or part thereof, that is replaced or serviced under this warranty will be warranted for a period not exceeding the remaining term of the original warranty.

This **Limited Lifetime Warranty** is effective on all appliances sold and supersedes any and all warranties currently in existence.

Please register your SUPREME product online at <https://supremem.com/warranty.php> to ensure full warranty coverage. Prior to contacting SUPREME FIREPLACES INC., have the following information available for warranty claim processing:

- Customer information (name, telephone number, and address)
- Proof of purchase
- Model name and serial number (see Section 2.7)
- Detailed description of defected component
- Digital pictures (if necessary)

In the case of a return for repair or replacement, it is the responsibility of the customer to adequately package the component/unit to prevent further damage during transport. Items sent to SUPREME FIREPLACES INC. without an open warranty claim will be returned to the sender.