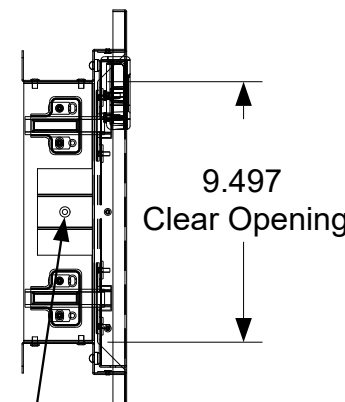
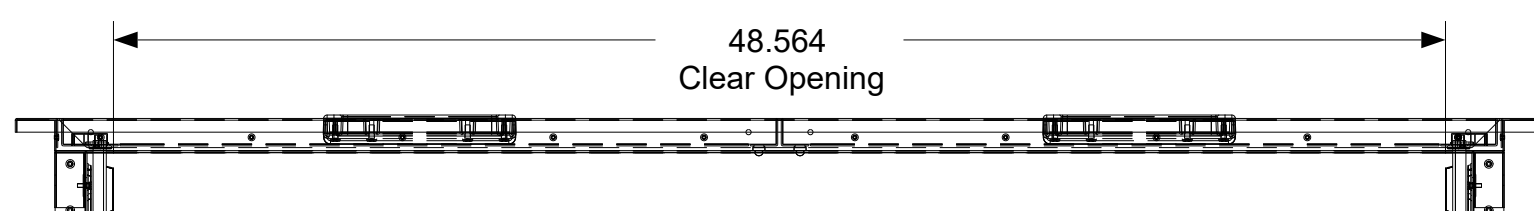
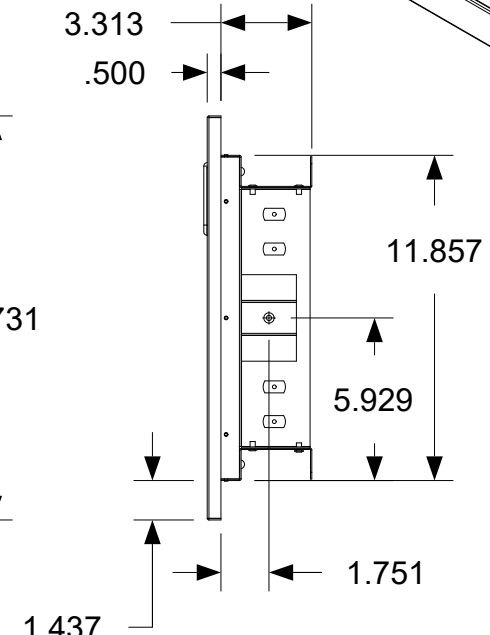
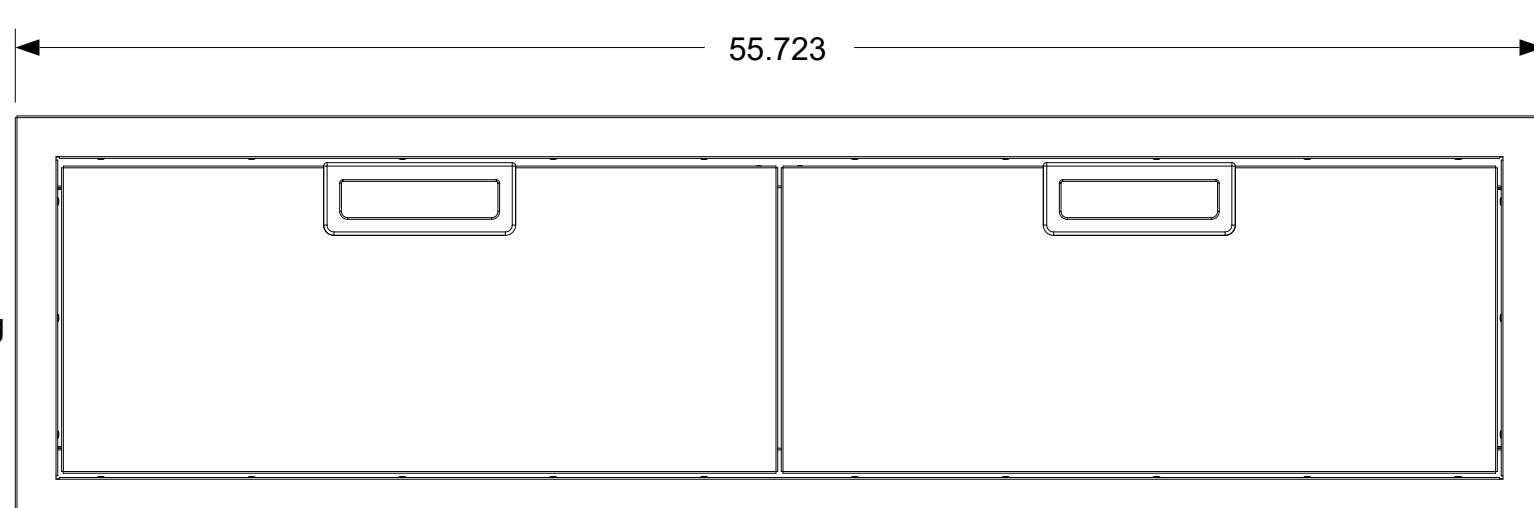
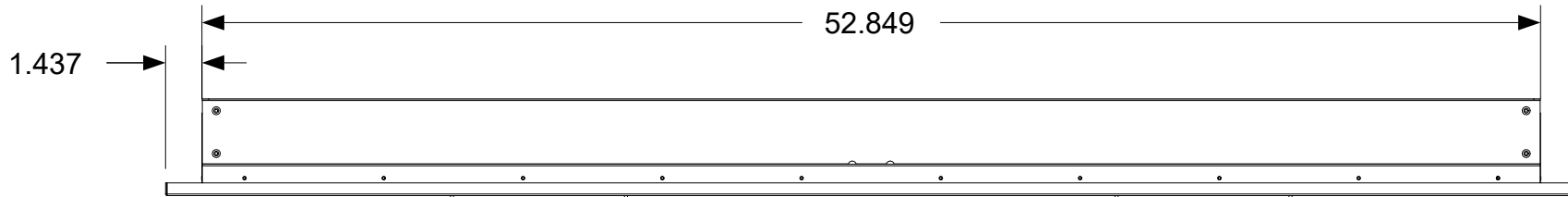
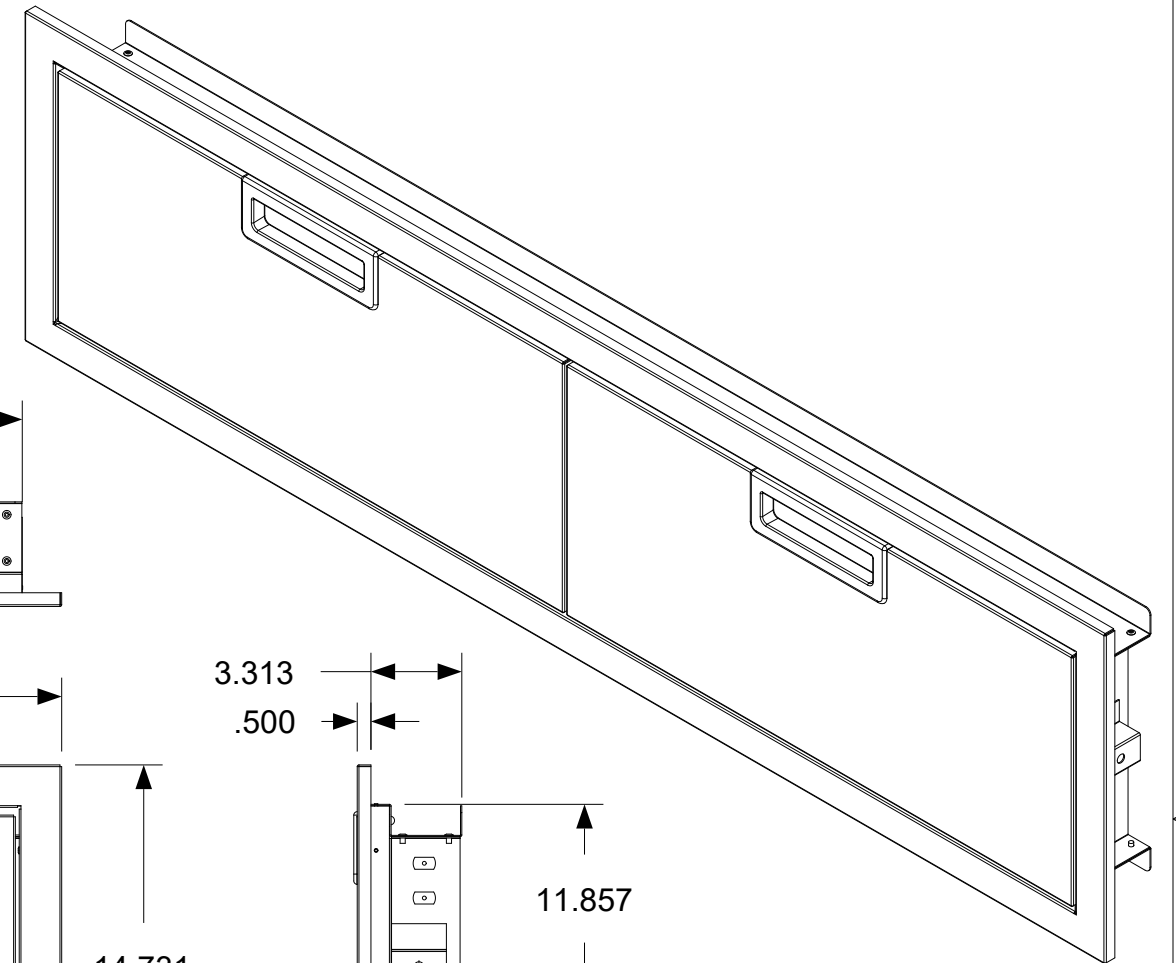


Dimensions shown are the actual physical dimensions. Additional clearances to the cabinetry are dependent on the tolerances of the cut-out. The suggested cut-out dimensions are listed in the chart below but these dimensions can be reduced if the tolerances are controlled. Please refer to the product manual for installation instructions.

REVISION HISTORY			
REV	DESCRIPTION	DATE	APPROVED
-	Engineering Release	01/01/2020	Todd Stone



Through hole mounting points for frame installation

CROWN VERITY

37 Adams Blvd., Brantford, Ontario, N3S 7V8
P: (519) 751-1800 www.crownverity.com

Suggested Cut-out Dimensions	
Height	12.125
Width	53.125
Depth	3.813
Material	SS 304

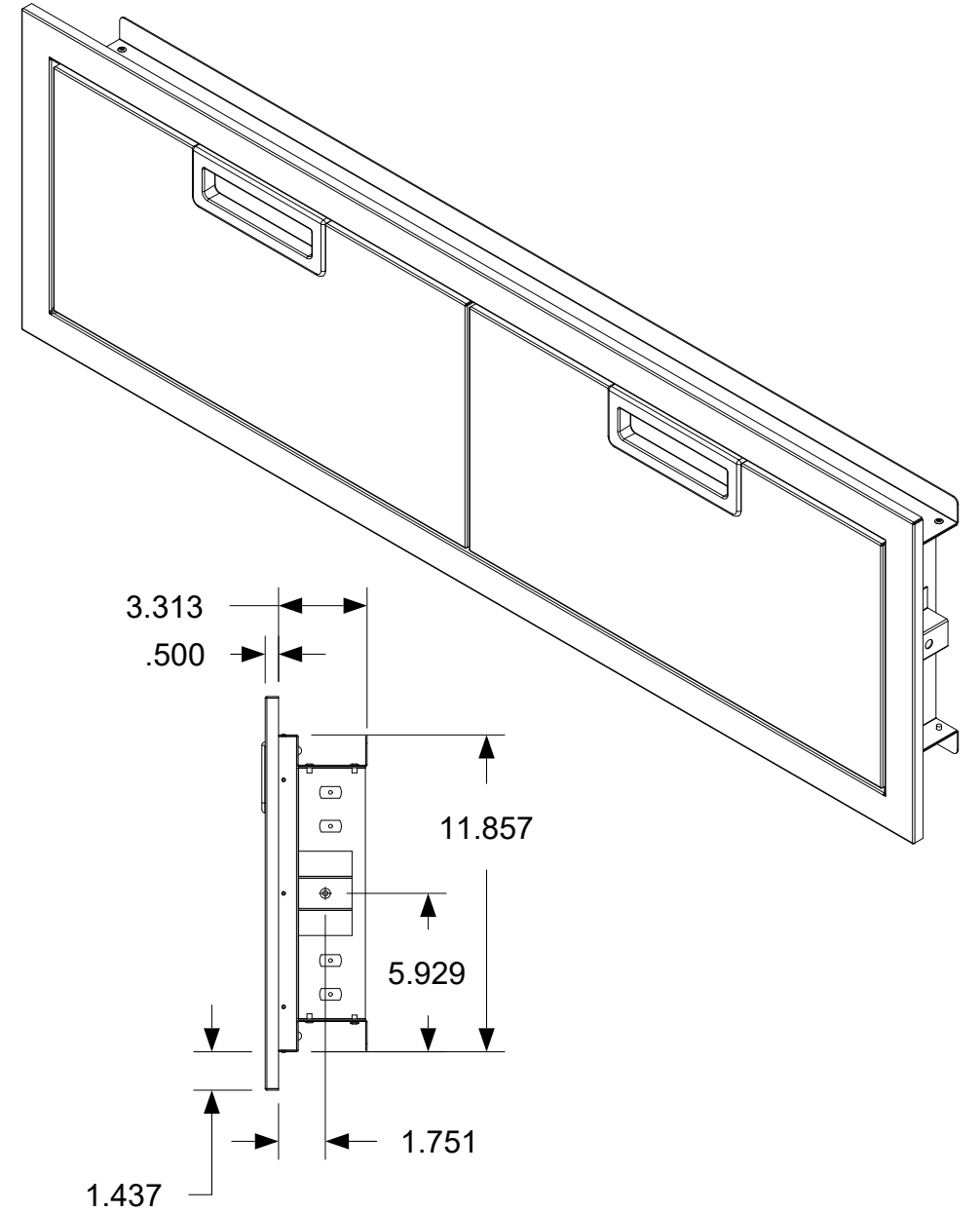
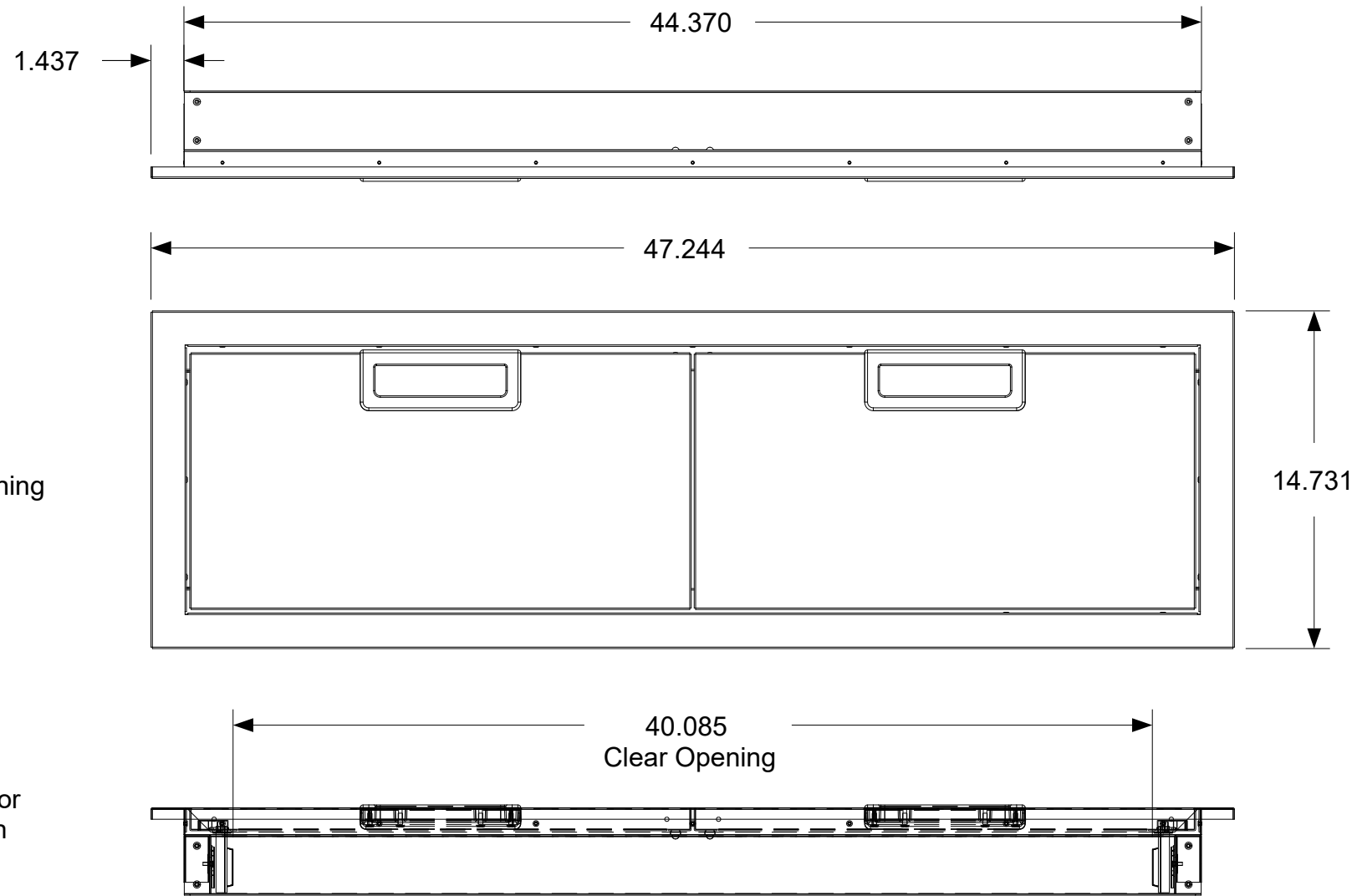
Dimensions are in inches
Linear Tolerance: +/- .015
Bend Tolerance: +/- .020
Angular Tolerance: +/- 0.5
Radial Tolerance: +/- .005

DRAWN BY: Todd Stone

TITLE			
Infinite Series Horizontal Door 48 Inch			
SIZE	Customer	DWG NO	REV
B	Crown Verity	IBI48-HD	-
SCALE	1:7	01/01/2020	SHEET 1 of 1

Dimensions shown are the actual physical dimensions. Additional clearances to the cabinetry are dependent on the tolerances of the cut-out. The suggested cut-out dimensions are listed in the chart below but these dimensions can be reduced if the tolerances are controlled. Please refer to the product manual for installation instructions.

REVISION HISTORY			
REV	DESCRIPTION	DATE	APPROVED
-	Engineering Release	01/01/2020	Todd Stone



Through hole mounting points for frame installation



37 Adams Blvd., Brantford, Ontario, N3S 7V8
P: (519) 751-1800 www.crownverity.com

Suggested Cut-out Dimensions	
Height	12.125
Width	44.625
Depth	3.813
Material	SS 304

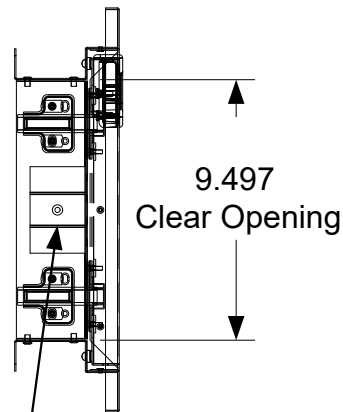
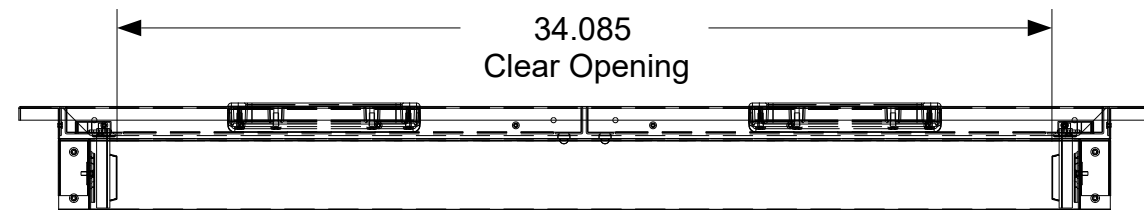
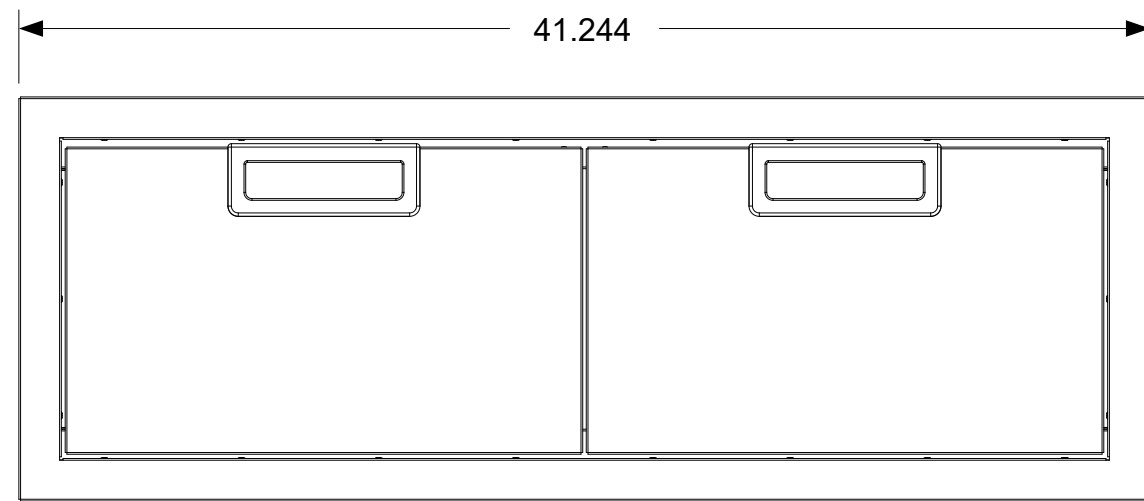
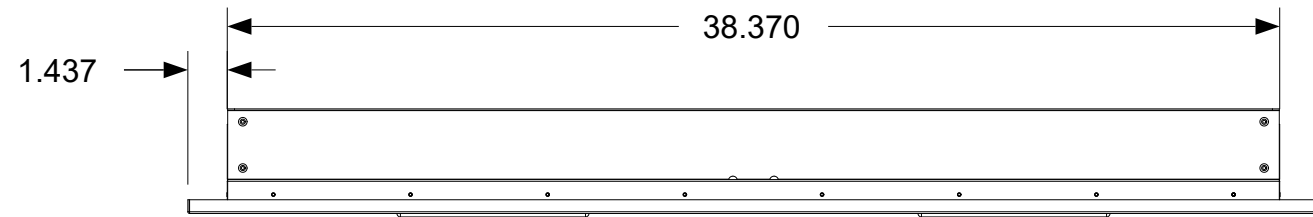
Dimensions are in inches
Linear Tolerance: +/- .015
Bend Tolerance: +/- .020
Angular Tolerance: +/- 0.5
Radial Tolerance: +/- .005

DRAWN BY: Todd Stone

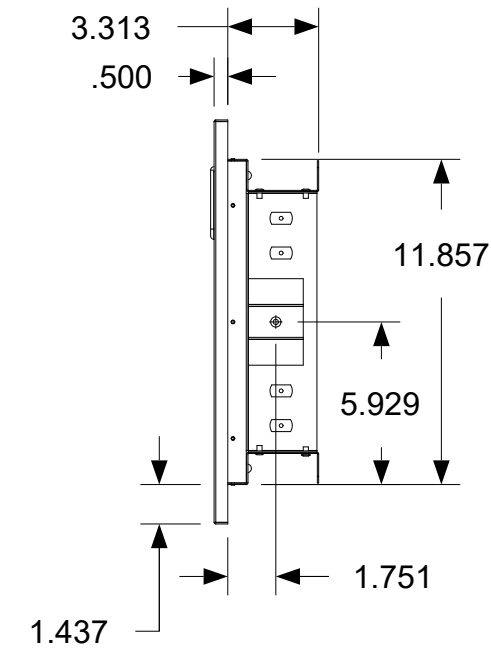
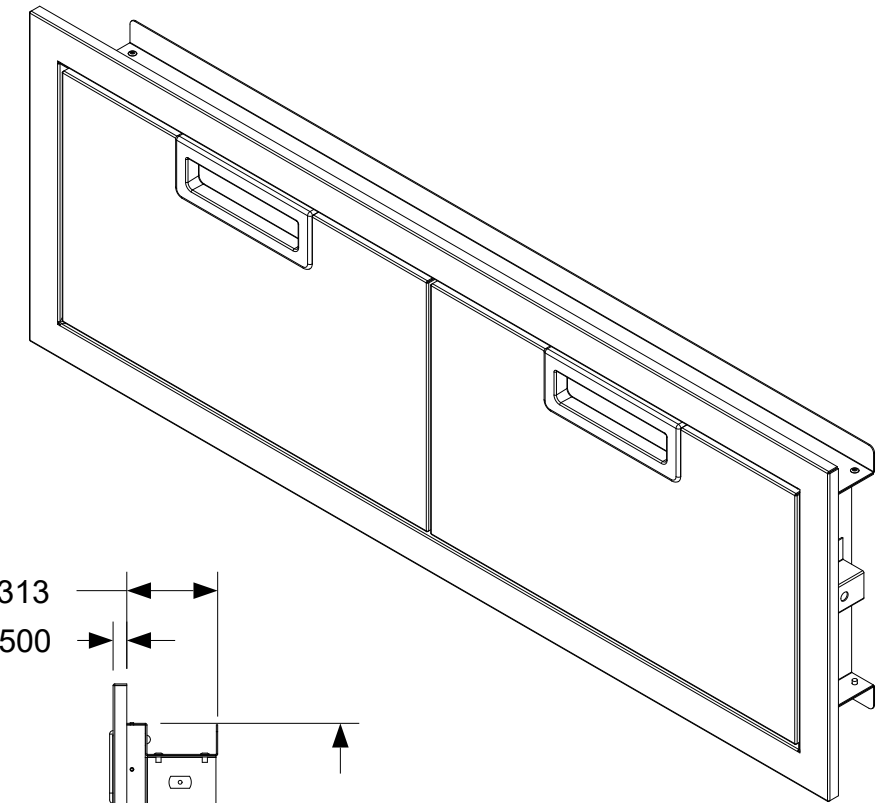
TITLE			
Infinite Series Horizontal Door 42 Inch			
SIZE	Customer	DWG NO	REV
B	Crown Verity	IBI42-HD	-
SCALE	1:7	01/01/2020	SHEET 1 of 1

Dimensions shown are the actual physical dimensions. Additional clearances to the cabinetry are dependent on the tolerances of the cut-out. The suggested cut-out dimensions are listed in the chart below but these dimensions can be reduced if the tolerances are controlled. Please refer to the product manual for installation instructions.

REVISION HISTORY			
REV	DESCRIPTION	DATE	APPROVED
-	Engineering Release	01/01/2020	Todd Stone



Through hole mounting points for frame installation



Suggested Cut-out Dimensions	
Height	12.125
Width	38.625
Depth	3.813
Material	SS 304

Dimensions are in inches
 Linear Tolerance: +/- .015
 Bend Tolerance: +/- .020
 Angular Tolerance: +/- 0.5
 Radial Tolerance: +/- .005

DRAWN BY: Todd Stone

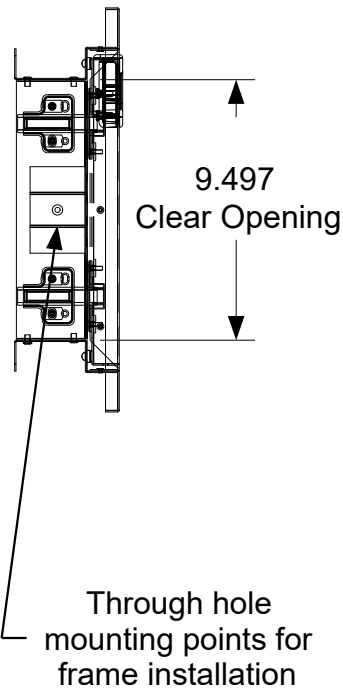
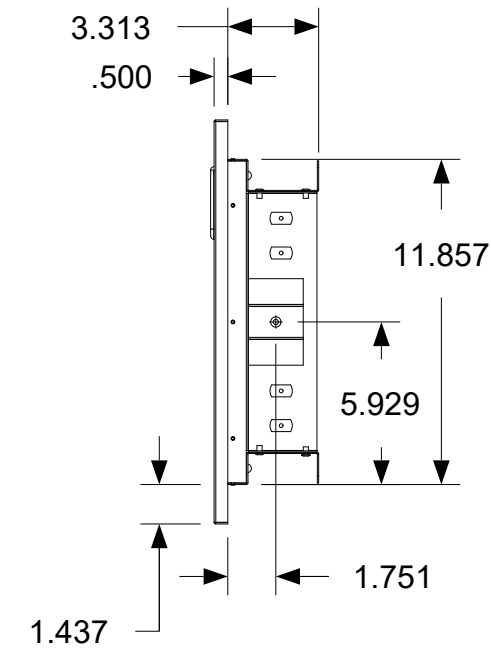
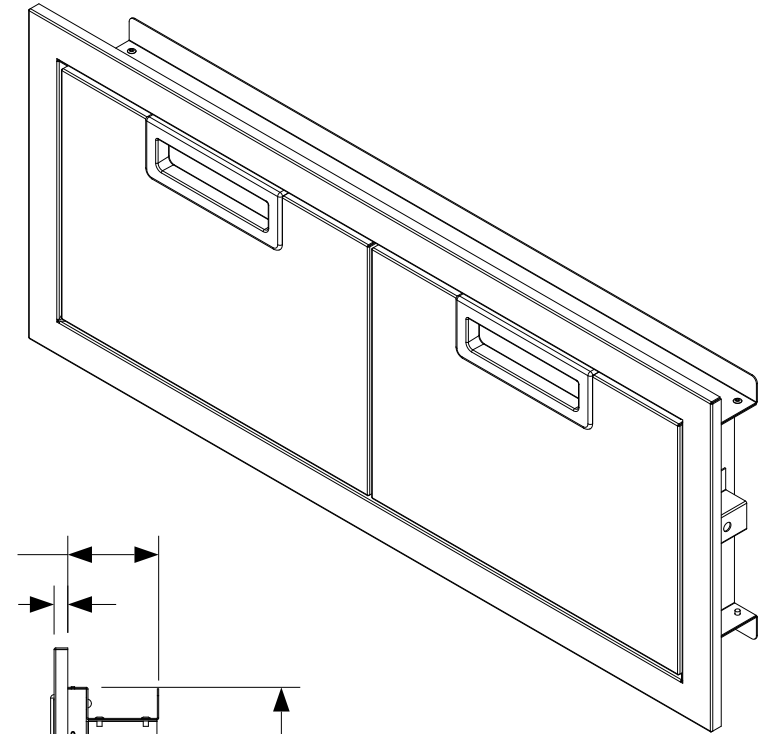
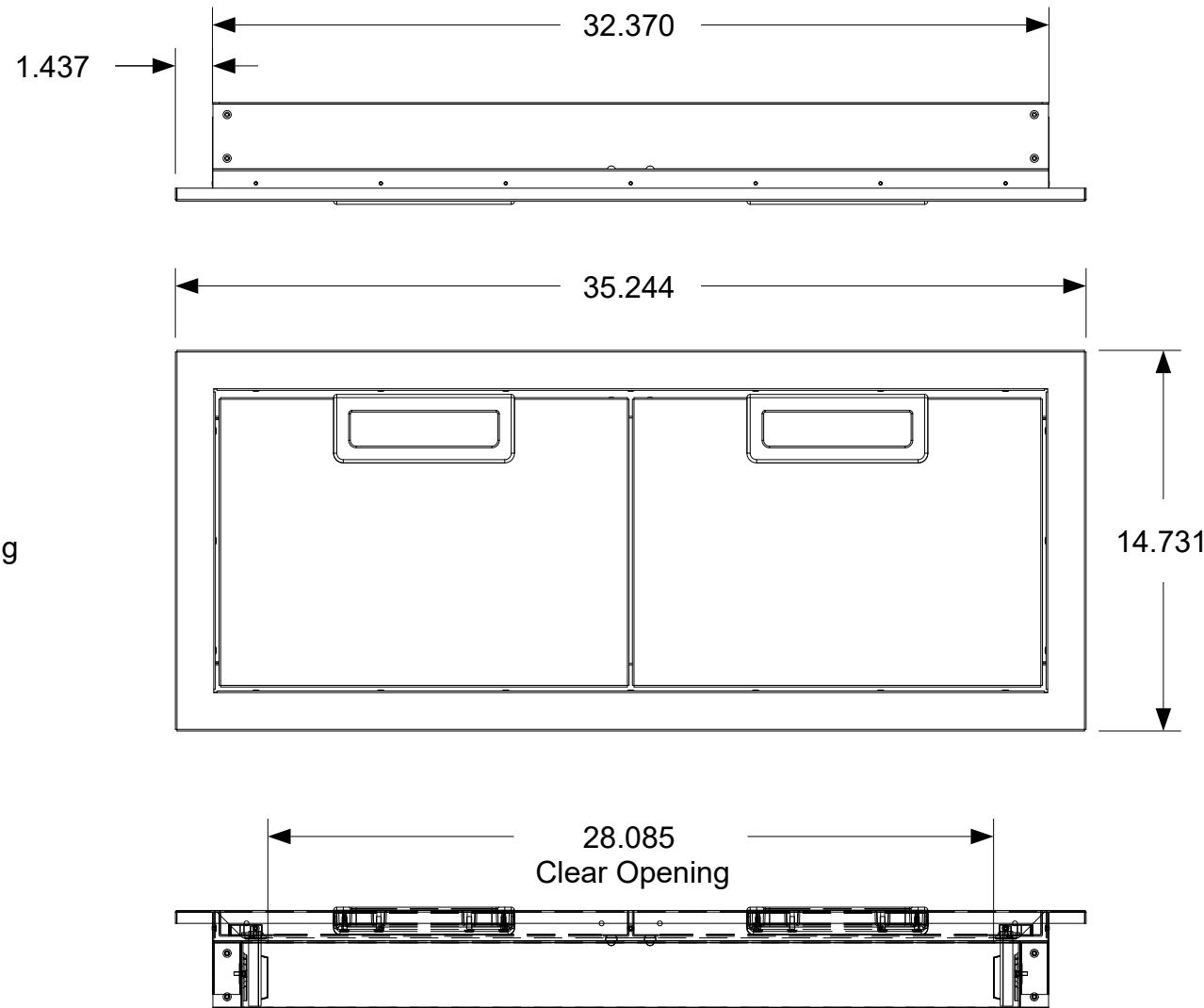
CROWN VERITY

37 Adams Blvd., Brantford, Ontario, N3S 7V8
 P: (519) 751-1800 www.crownverity.com

TITLE			
Infinite Series Horizontal Door 36 Inch			
SIZE	Customer	DWG NO	REV
B	Crown Verity	IBI36-HD	-
SCALE	1:7	01/01/2020	SHEET 1 of 1

Dimensions shown are the actual physical dimensions. Additional clearances to the cabinetry are dependent on the tolerances of the cut-out. The suggested cut-out dimensions are listed in the chart below but these dimensions can be reduced if the tolerances are controlled. Please refer to the product manual for installation instructions.

REVISION HISTORY			
REV	DESCRIPTION	DATE	APPROVED
-	Engineering Release	01/01/2020	Todd Stone



Suggested Cut-out Dimensions	
Height	12.125
Width	32.625
Depth	3.813
Material	SS 304

Dimensions are in inches
 Linear Tolerance: +/- .015
 Bend Tolerance: +/- .020
 Angular Tolerance: +/- 0.5
 Radial Tolerance: +/- .005

DRAWN BY: Todd Stone

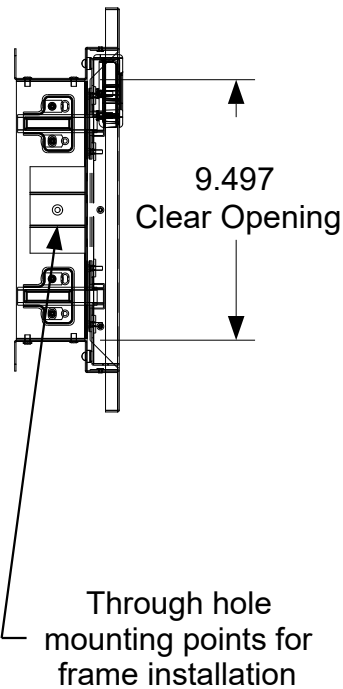
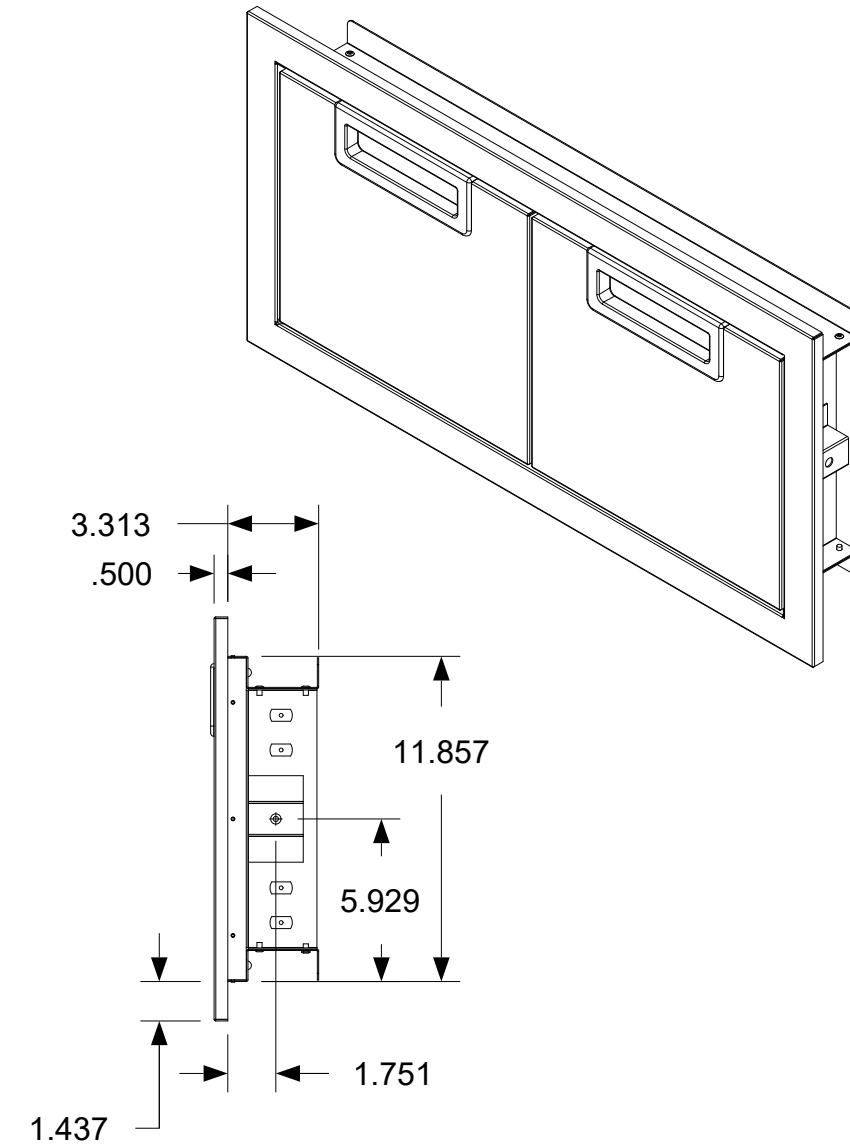
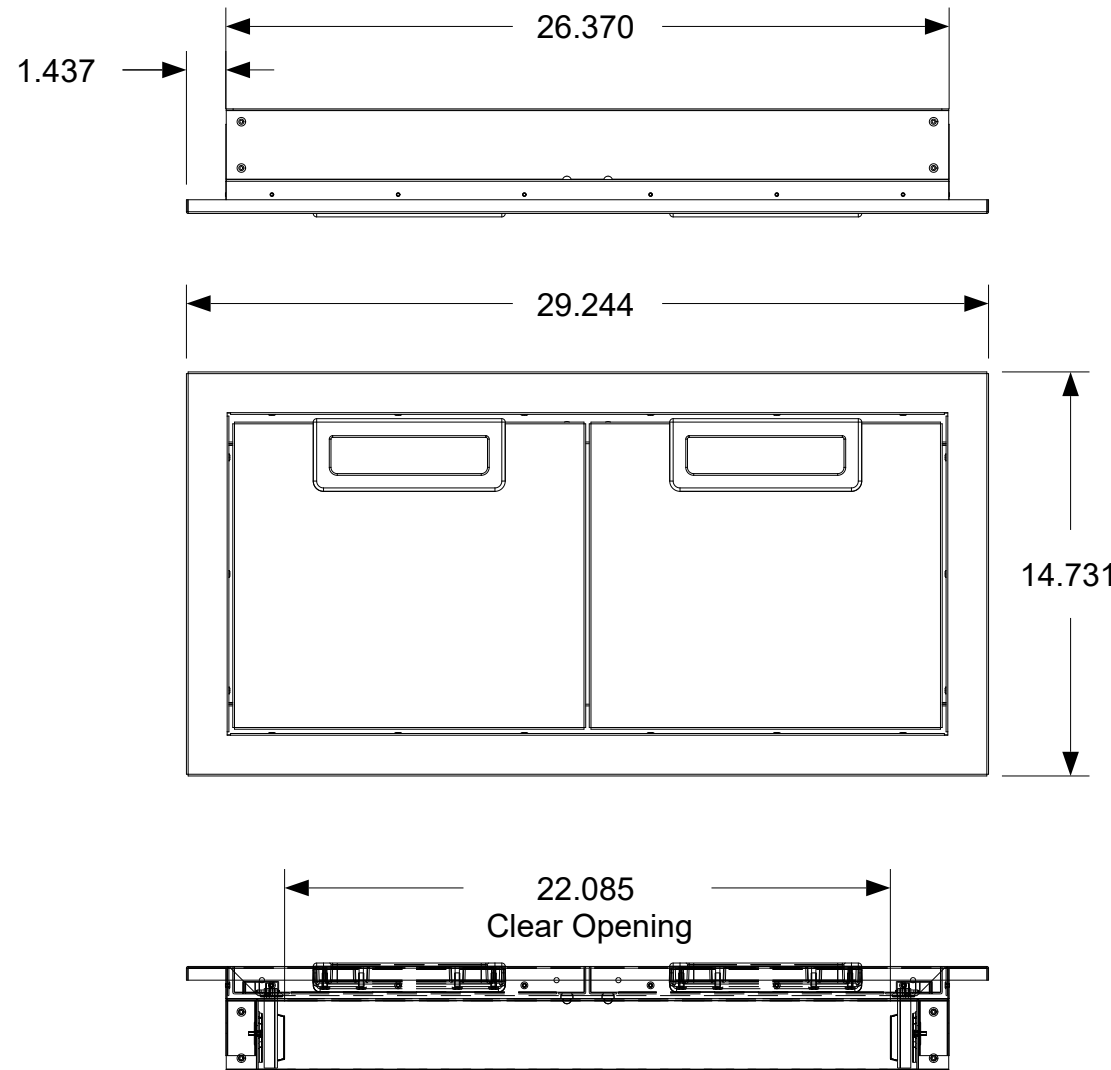


37 Adams Blvd., Brantford, Ontario, N3S 7V8
 P: (519) 751-1800 www.crownverity.com

TITLE			
Infinite Series Horizontal Door 30 Inch			
SIZE	Customer	DWG NO	REV
B	Crown Verity	IBI30-HD	-
SCALE	1:7	01/01/2020	SHEET 1 of 1

Dimensions shown are the actual physical dimensions. Additional clearances to the cabinetry are dependent on the tolerances of the cut-out. The suggested cut-out dimensions are listed in the chart below but these dimensions can be reduced if the tolerances are controlled. Please refer to the product manual for installation instructions.

REVISION HISTORY			
REV	DESCRIPTION	DATE	APPROVED
-	Engineering Release	01/01/2020	Todd Stone



Suggested Cut-out Dimensions	
Height	12.125
Width	26.625
Depth	3.813
Material	SS 304

Dimensions are in inches
 Linear Tolerance: +/- .015
 Bend Tolerance: +/- .020
 Angular Tolerance: +/- 0.5
 Radial Tolerance: +/- .005

DRAWN BY: Todd Stone

CROWN VERITY

37 Adams Blvd., Brantford, Ontario, N3S 7V8
 P: (519) 751-1800 www.crownverity.com

TITLE			
Infinite Series Horizontal Door 24 Inch			
SIZE	Customer	DWG NO	REV
B	Crown Verity	IBI24-HD	-
SCALE	1:7	01/01/2020	SHEET 1 of 1