

City Series® CV50E DIRECT VENT

Owners &
Installation Manual



STYLE
Single-sided

MODEL
CV50E-NG / CV50E-LP

www.regency-fire.com

⚠ WARNING
FIRE OR EXPLOSION HAZARD

Failure to follow safety warnings exactly could result in serious injury, death, or property damage.

- Do not store or use gasoline or other flammable vapors and liquids in the vicinity of this or any other appliance.
- **WHAT TO DO IF YOU SMELL GAS**
 - Do not try to light any appliance.
 - Do not touch any electrical switch: do not use any phone in your building. Leave the building immediately.
 - Immediately call your gas supplier from a neighbour's phone. Follow the gas supplier's instructions.
 - If you cannot reach your gas supplier, call the fire department.
- Installation and service must be performed by a qualified installer, service agency or the gas supplier.

Tested by:




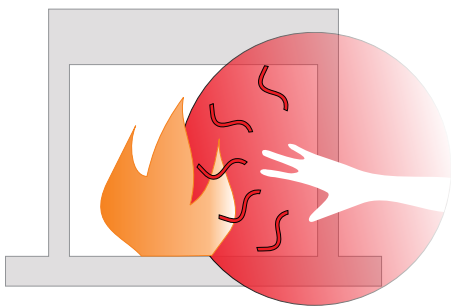
Certified to/Certifié pour: CSA 2.17-2017
ANSI Z21.88-2019
CSA 2.33-2019

Installer: Please complete the details on the back cover and leave this manual with the homeowner.
Homeowner: Please keep these instructions for future reference.

To the New Owner:

Congratulations!

You are the owner of a state-of-the-art Gas Fireplace by REGENCY®. The City Series are hand crafted appliances and have been designed to provide you with all the warmth and charm of a wood fireplace at the flick of a switch. The CV50E City Series have been approved by Intertek for both safety and efficiency. As it also bears our own mark, it promises to provide you with economy, comfort and security for many trouble free years to follow. Please take a moment now to acquaint yourself with these instructions and the many features of your Regency® Fireplace.

	
<h1>DANGER</h1>	
	<p>HOT GLASS WILL CAUSE BURNS</p> <p>DO NOT TOUCH GLASS UNTIL COOLED</p> <p>NEVER ALLOW CHILDREN TO TOUCH GLASS</p>
<p>A barrier designed to reduce the risk of burns from the hot viewing glass is provided with this appliance and must be installed for the protection of children and other at risk individuals.</p>	
<p>CAUTION: HOT WHILE IN OPERATION. DO NOT TOUCH. SEVERE BURNS MAY RESULT. KEEP CHILDREN, CLOTHING, FURNITURE, GASOLINE, AND ANY OTHER LIQUIDS WITH FLAMMABLE VAPOURS AWAY.</p> <p>KEEP BURNER AND CONTROL COMPARTMENT CLEAN. SEE INSTALLATION AND OPERATING INSTRUCTIONS ACCOMPANYING APPLIANCE.</p>	
<p>920-408</p>	

This appliance may be installed in an aftermarket, permanently located, manufactured home (USA only) or mobile home, where not prohibited by local codes.

This appliance is only for use with the type of gas indicated on the rating plate. This appliance is not convertible for use with other gases, unless a certified kit is used.

MANUFACTURED MOBILE HOME REQUIREMENTS

INFORMATION FOR MOBILE/MANUFACTURED HOMES AFTER FIRST SALE

This Regency® product has been tested and listed by Intertek as a Direct Vent Wall Furnace to the following standards: to Vented Gas Fireplace Heaters ANSI Z21.88-2019 • CSA 2.33-2019 and Gas-fired Appliances for Use at High Altitudes CSA 2.17-2017.

This Direct Vent System Appliance must be installed in accordance with the manufacturer's installation instructions and the Manufactured Home Construction and Safety Standard, Title 24 CFR, Part 3280, or the current Standard of Fire Safety Criteria for Manufactured Home Installations, Sites, and Communities ANSI/NFPA 501A, and with CAN/CSA Z240-MH Mobile Home Standard in Canada.

This appliance installation must comply with the manufacturer's installation instructions and local codes, if any. In the absence of local codes follow the current National Fuel Gas Code, ANSI Z223.1 and the current National Electrical Code ANSI/NFPA 70 in the U.S.A., and the current CSA B149.1 Gas Installation Code and the current Canadian Electrical Code CSA C22.1 in Canada.

This Regency® mobile/manufactured home listed appliance comes factory equipped with four 1/4" diameter holes located near each corner of the base. Fasten the fireplace in place using screw, inserted through the holes.

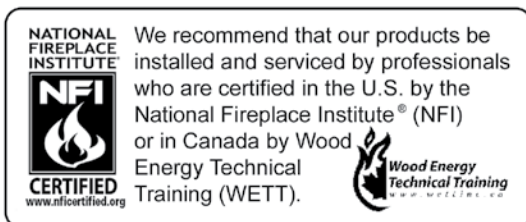
This appliance comes equipped with a dedicated #8 Ground Lug for attachment of the ground wire to the steel chassis as applicable to local codes. See the "Wiring Diagram" section.

The appliance, when installed, must be electrically grounded in accordance with local codes or, in the absence of local codes, with the National Electrical Code, ANSI/NFPA 70, or the Canadian Electrical Code, CSA C22.1.

This appliance may only be installed in an aftermarket permanently located, manufactured home (U.S.A only) or mobile home, where not prohibited by local codes.

This appliance can only be used with the type of gas indicated on the rating plate. This appliance is not convertible for use with other cases, unless a certified kit is used.

Ensure that structural members are not cut or weakened during installation.





WARNING

CARBON MONOXIDE POISONING HAZARD

Failure to follow the steps outlined below for each appliance connected to the venting system being placed into operation could result in carbon monoxide poisoning or death. The following steps shall be followed for each appliance connected to the venting system being placed into operation, while all other appliances connected to the venting system are not in operation:

1. Seal any unused openings in the venting system.
2. Inspect the venting system for proper size and horizontal pitch, as required in the *National Fuel Gas Code*, ANSI Z223.1/NFPA 54 or the *Natural Gas and Propane Installation Code*, CSA B149.1 and these instructions. Determine that there is no blockage or restriction, leakage, corrosion and other deficiencies which could cause an unsafe condition.
3. As far as practical, close all building doors and windows and all doors between the space in which the appliance(s) connected to the venting system are located and other spaces of the building.
4. Close fireplace dampers.
5. Turn on clothes dryers and any appliance not connected to the venting system. Turn on any exhaust fans, such as range hoods and bathroom exhausts, so they are operating at maximum speed. Do not operate a summer exhaust fan.
6. Follow the lighting instructions. Place the appliance being inspected into operation. Adjust the thermostat so appliance is operating continuously.
7. Test for spillage from draft hood equipped appliances at the draft hood relief opening after 5 minutes of main burner operation. Use the flame of a match or candle.
8. If improper venting is observed during any of the above tests, the venting system must be corrected in accordance with *National Fuel Gas Code*, ANSI Z223.1/NFPA and/or *Natural Gas and Propane Installation Code*, CSA B149.1.
9. After it has been determined that each appliance connected to the venting system properly vents when tested as outlined above, return doors, windows, exhaust fans, fireplace damper and any other gas-fired burning appliance to the previous conditions of use.

Owner's Information

Copy of Safety Decal	6
Decal Location	6
Dimensions	7
Gas Connection - Back of Unit	8
Gas Connection - Bottom of Unit	8
Gas Connection - Side of Unit	8
Electrical Connection - Bottom of Unit	9
Electrical Connection - Side of Unit	9
Important Message	12
Before You Start	12
First Fire	13
Normal Operating Sounds Of Gas Appliances	13
Non Power Vent/Power Vent Switch	13
Lighting Procedure	14
Shutdown Procedure	14
Copy of the Lighting Plate Instructions	15
Proflame II Remote Control Operating Instructions	16
Proflame II Battery Holder Battery Replacement	20
Glass Barrier Removal	21
Glass Barrier Adjustment	22
Inner Glass Panel Installation / Removal	23
Glass Stoppers Installation / Removal	25
Bulb Replacement	26
Maintenance Instructions	27
Log Replacement	27
Glass	27
Glass Replacement	27
Replacement Glass Part Numbers	27

Installer's Information

Gas Installation Checklist	10
General Safety Information	29
Installation Checklist	29
Locating Your Gas Fireplace	30

Installation

Unit Assembly Prior to Installation	31
Ventilation Openings	33
Chase Enclosure	34
Clearances	35
Mantel Clearances	37
Mantel Leg Clearances	37
Framing Dimensions	38
Chase Vent Installation Part #686-991 (White)	39
Wall Board/Drywall Installation	40
No Screw Zones	40
Framing and Finishing Inset Installations	41
Typical Installations	42
Flush Install	42
Recessed Install	42
Typical Installations	43
Maximum TV Recess	43
Flush TV with Hearth	43
Finishing	44
Wall Mount On / Off Switch and Battery Holder Installation	45
Proflame Wall Mount Transmitter	46
Exterior Vent Termination Locations (Non Power Vent)	47
5" x 8" Rigid Pipe Cross Reference Chart (Non Power Vent)	48
Vent Restrictor Position (Non Power Vent)	50
Horizontal Terminations - Flex Vent 5" x 8" (Non Power Vent)	51
Unit Installation with Horizontal Termination 5" x 8" Venting (Flex Vent Systems) (Non Power Vent)	52
Venting Introduction (Non Power Vent)	53
Venting Arrangement for Horizontal Terminations (Non Power Vent)	53
Horizontal Terminations - Rigid Pipe 5" x 8" (Non Power Vent)	54

Unit Installation with Horizontal Termination (Non Power Vent)	55
Horizontal Terminations - Rigid/Flex Pipe 5" x 8" . (Non Power Vent)	56
Horizontal Venting with Two 90° Elbows	56
Horizontal Venting with Three 90° Elbows	56
Vertical Terminations - Rigid Pipe 5" x 8" (Non Power Vent)	57
Venting Arrangement for Vertical Terminations With Straight Vertical (Non Power Vent)	58
Vertical Terminations Rigid/Flex Pipe 5" x 8" (Non Power Vent)	59
Vertical Terminations - Venting - Vertical Flex Vent Kit (Part #946-772) (Non Power Vent)	60
Vertical Flex Extension Kit (Part # 946-769) (Non Power Vent)	62
Ceiling Firestop / Firestop Spacer (Part # 946-770) (Non Power Vent)	63
Wiring the Unit (Both Non Power Vent/Power Vent)	64
Non-PV Wiring Diagram	65
System Data	66
High Elevation	66
Gas Line Installation	66
Pilot Adjustment	66
Gas Pipe Pressure Testing	66
885 S.I.T. Valve Description	66
Exterior Vent Termination Locations (Power Vent)	67
4" x 6-5/8" Rigid Pipe Cross Reference Chart (Power Vent)	68
Introduction	70
Vent Chart for Power Vent Only - Horizontal Terminations Inline Horizontal Vent Chart - Rigid/Flex	71
Vent Chart for Power Vent Only - Horizontal Terminations End of Line Horizontal Vent Chart - Rigid/Flex	72
Vertical Terminations - Inline Power Vent - Rigid/Flex	73
Wiring Diagram - Power Vent Application	74
Non Power Vent/Power Vent Switch	75
Glass Barrier Installation	76
Glass Barrier Adjustment	77
LP Conversion Instructions	78
Inner Black Steel/Enamel Panel Installation	80
Inner Black Glass Panel Installation	82
Extended View Panel Installation	84
Clean Trim Faceplate Installation	86
Burner and Firebox Media Options	87
Optional Driftwood Log Set Installation	89
WiFi Dongle Installation (Optional)	95
Aeration Adjustment	96
Minimum Air Shutter Opening	96

Maintenance

Maintenance Instructions	97
General Vent Maintenance	97
Log Replacement	97
Glass Gasket	97
Glass	97
Glass Replacement	97
Flame Pattern	97
Valve Replacement	98
Gas Maintenance - Recommended Annual Routine	99

Parts List

Main Assembly	100
Accessories	102
Power Vent - End of Line	103
Power Vent - Inline	103

Warranty 104

safety decal



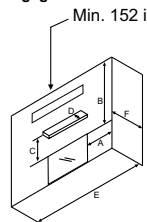
This is a copy of the label that accompanies Direct Vent Gas Fireplace. We have printed a copy of the contents here for your review. The safety label is located on the front inside base of the unit, visible when the outer front panel is removed.

NOTE: Regency® units are constantly being improved. Check the label on the unit and if there is a difference, the label on the unit is the correct one.

NOTE: This fireplace is rated for both commercial & residential use.

Copy of Safety Decal

Duplicate S/N 589

 <p>Intertek C # 4001172</p>	<p>Listed/Nom: VENTED GAS FIREPLACE HEATER / FOYER AU GAZ À ÉVACUATION DO NOT REMOVE THIS LABEL / NE PAS ENLEVER CETTE ÉTIQUETTE</p> <p>Certified to / Certifié : ANSI Z21.88-2019 • CSA-2.33-2019 CSA 2.17-2017</p> <p>MAY BE INSTALLED IN MANUFACTURED (MOBILE) HOMES AFTER FIRST SALE. Refer to Intertek's Directory of Building Products for detailed information. Pour plus de détails, se reporter au Répertoire des produits de construction de Intertek.</p>	 <p style="font-size: 1.2em; font-weight: bold;">589</p> <p style="font-size: 0.8em;">Serial No./ No de série</p>																																										
<p>NATURAL GAS: Model: CV50E-NG</p> <table style="width: 100%; font-size: 0.9em;"> <tr> <td>Minimum supply pressure</td> <td>50" WC/C.E. (1.25 kPa)</td> <td>Pression d'alimentation minimale</td> </tr> <tr> <td>Manifold pressure - High</td> <td>3.8" WC/C.E. (0.94 kPa)</td> <td>Pression de sortie (manifold) - Haute</td> </tr> <tr> <td>Manifold pressure - Low</td> <td>1.1" WC/C.E. (0.27 kPa)</td> <td>Pression de sortie (manifold) - Basse</td> </tr> <tr> <td>Orifice size</td> <td>#36 DMS</td> <td>Taille de l'orifice</td> </tr> <tr> <td>Maximum input</td> <td>35,000 Btu/h (10.25 kW)</td> <td>Débit calorifique maximal</td> </tr> <tr> <td>Minimum input</td> <td>19,000 Btu/h (5.56 kW)</td> <td>Débit calorifique minimal</td> </tr> <tr> <td>Altitude</td> <td>0-4500 ft/pi (0-1372 m)</td> <td>Altitude</td> </tr> </table>	Minimum supply pressure	50" WC/C.E. (1.25 kPa)	Pression d'alimentation minimale	Manifold pressure - High	3.8" WC/C.E. (0.94 kPa)	Pression de sortie (manifold) - Haute	Manifold pressure - Low	1.1" WC/C.E. (0.27 kPa)	Pression de sortie (manifold) - Basse	Orifice size	#36 DMS	Taille de l'orifice	Maximum input	35,000 Btu/h (10.25 kW)	Débit calorifique maximal	Minimum input	19,000 Btu/h (5.56 kW)	Débit calorifique minimal	Altitude	0-4500 ft/pi (0-1372 m)	Altitude	<p>GAZ NATUREL : Modèle CV50E-NG</p> <table style="width: 100%; font-size: 0.9em;"> <tr> <td>Minimum supply pressure</td> <td>50" WC/C.E. (1.25 kPa)</td> <td>Pression d'alimentation minimale</td> </tr> <tr> <td>Manifold pressure - High</td> <td>3.8" WC/C.E. (0.94 kPa)</td> <td>Pression de sortie (manifold) - Haute</td> </tr> <tr> <td>Manifold pressure - Low</td> <td>1.1" WC/C.E. (0.27 kPa)</td> <td>Pression de sortie (manifold) - Basse</td> </tr> <tr> <td>Orifice size</td> <td>#36 DMS</td> <td>Taille de l'orifice</td> </tr> <tr> <td>Maximum input</td> <td>35,000 Btu/h (10.25 kW)</td> <td>Débit calorifique maximal</td> </tr> <tr> <td>Minimum input</td> <td>19,000 Btu/h (5.56 kW)</td> <td>Débit calorifique minimal</td> </tr> <tr> <td>Altitude</td> <td>0-4500 ft/pi (0-1372 m)</td> <td>Altitude</td> </tr> </table>	Minimum supply pressure	50" WC/C.E. (1.25 kPa)	Pression d'alimentation minimale	Manifold pressure - High	3.8" WC/C.E. (0.94 kPa)	Pression de sortie (manifold) - Haute	Manifold pressure - Low	1.1" WC/C.E. (0.27 kPa)	Pression de sortie (manifold) - Basse	Orifice size	#36 DMS	Taille de l'orifice	Maximum input	35,000 Btu/h (10.25 kW)	Débit calorifique maximal	Minimum input	19,000 Btu/h (5.56 kW)	Débit calorifique minimal	Altitude	0-4500 ft/pi (0-1372 m)	Altitude	<p>Minimum Clearances to Combustibles / Dégagement minimaux par rapport aux matériaux combustibles</p> <p>Min. 152 in²</p>  <p>Side Walls / Murs latéraux A 5" (127 mm)</p> <p>Ceiling / Plafond B 53" (1347 mm)</p> <p>Min. Mantel Height /Hteur Min Manteau C 9" (229 mm) with 12" mantel</p> <p>Max. Mantel Depth/Profondeur Max Manteau D 12" (305 mm)</p> <p>Alcove Width/Largeur Alcôve E 92" (2337 mm)</p> <p>Alcove Depth/Profondeur Alcôve F 35" (889 mm)</p> <p>(See instruction manual for detailed instructions) (Voir manuel pour plus de détails)</p> <p style="font-size: 0.8em; color: red; font-weight: bold;">DOOR SEAL: Please check that the door is properly sealed</p>
Minimum supply pressure	50" WC/C.E. (1.25 kPa)	Pression d'alimentation minimale																																										
Manifold pressure - High	3.8" WC/C.E. (0.94 kPa)	Pression de sortie (manifold) - Haute																																										
Manifold pressure - Low	1.1" WC/C.E. (0.27 kPa)	Pression de sortie (manifold) - Basse																																										
Orifice size	#36 DMS	Taille de l'orifice																																										
Maximum input	35,000 Btu/h (10.25 kW)	Débit calorifique maximal																																										
Minimum input	19,000 Btu/h (5.56 kW)	Débit calorifique minimal																																										
Altitude	0-4500 ft/pi (0-1372 m)	Altitude																																										
Minimum supply pressure	50" WC/C.E. (1.25 kPa)	Pression d'alimentation minimale																																										
Manifold pressure - High	3.8" WC/C.E. (0.94 kPa)	Pression de sortie (manifold) - Haute																																										
Manifold pressure - Low	1.1" WC/C.E. (0.27 kPa)	Pression de sortie (manifold) - Basse																																										
Orifice size	#36 DMS	Taille de l'orifice																																										
Maximum input	35,000 Btu/h (10.25 kW)	Débit calorifique maximal																																										
Minimum input	19,000 Btu/h (5.56 kW)	Débit calorifique minimal																																										
Altitude	0-4500 ft/pi (0-1372 m)	Altitude																																										
<p>PROPANE GAS: Model: CV50E-LP</p> <table style="width: 100%; font-size: 0.9em;"> <tr> <td>Minimum supply pressure</td> <td>11" WC/C.E. (2.73 kPa)</td> <td>Pression d'alimentation minimale</td> </tr> <tr> <td>Manifold pressure - High</td> <td>10.5" WC/C.E. (2.62 kPa)</td> <td>Pression de sortie (manifold) - Haute</td> </tr> <tr> <td>Manifold pressure - Low</td> <td>2.9" WC/C.E. (0.72 kPa)</td> <td>Pression de sortie (manifold) - Basse</td> </tr> <tr> <td>Orifice size</td> <td>#52 DMS</td> <td>Taille de l'orifice</td> </tr> <tr> <td>Maximum input</td> <td>33,000 Btu/h (9.66 kW)</td> <td>Débit calorifique maximal</td> </tr> <tr> <td>Minimum input</td> <td>17,000 Btu/h (4.98 kW)</td> <td>Débit calorifique minimal</td> </tr> <tr> <td>Altitude</td> <td>0-4500 ft/pi (0-1372 m)</td> <td>Altitude</td> </tr> </table>	Minimum supply pressure	11" WC/C.E. (2.73 kPa)	Pression d'alimentation minimale	Manifold pressure - High	10.5" WC/C.E. (2.62 kPa)	Pression de sortie (manifold) - Haute	Manifold pressure - Low	2.9" WC/C.E. (0.72 kPa)	Pression de sortie (manifold) - Basse	Orifice size	#52 DMS	Taille de l'orifice	Maximum input	33,000 Btu/h (9.66 kW)	Débit calorifique maximal	Minimum input	17,000 Btu/h (4.98 kW)	Débit calorifique minimal	Altitude	0-4500 ft/pi (0-1372 m)	Altitude	<p>GAZ PROPANE : Modèle CV50E-LP</p> <table style="width: 100%; font-size: 0.9em;"> <tr> <td>Minimum supply pressure</td> <td>11" WC/C.E. (2.73 kPa)</td> <td>Pression d'alimentation minimale</td> </tr> <tr> <td>Manifold pressure - High</td> <td>10.5" WC/C.E. (2.62 kPa)</td> <td>Pression de sortie (manifold) - Haute</td> </tr> <tr> <td>Manifold pressure - Low</td> <td>2.9" WC/C.E. (0.72 kPa)</td> <td>Pression de sortie (manifold) - Basse</td> </tr> <tr> <td>Orifice size</td> <td>#52 DMS</td> <td>Taille de l'orifice</td> </tr> <tr> <td>Maximum input</td> <td>33,000 Btu/h (9.66 kW)</td> <td>Débit calorifique maximal</td> </tr> <tr> <td>Minimum input</td> <td>17,000 Btu/h (4.98 kW)</td> <td>Débit calorifique minimal</td> </tr> <tr> <td>Altitude</td> <td>0-4500 ft/pi (0-1372 m)</td> <td>Altitude</td> </tr> </table>	Minimum supply pressure	11" WC/C.E. (2.73 kPa)	Pression d'alimentation minimale	Manifold pressure - High	10.5" WC/C.E. (2.62 kPa)	Pression de sortie (manifold) - Haute	Manifold pressure - Low	2.9" WC/C.E. (0.72 kPa)	Pression de sortie (manifold) - Basse	Orifice size	#52 DMS	Taille de l'orifice	Maximum input	33,000 Btu/h (9.66 kW)	Débit calorifique maximal	Minimum input	17,000 Btu/h (4.98 kW)	Débit calorifique minimal	Altitude	0-4500 ft/pi (0-1372 m)	Altitude	
Minimum supply pressure	11" WC/C.E. (2.73 kPa)	Pression d'alimentation minimale																																										
Manifold pressure - High	10.5" WC/C.E. (2.62 kPa)	Pression de sortie (manifold) - Haute																																										
Manifold pressure - Low	2.9" WC/C.E. (0.72 kPa)	Pression de sortie (manifold) - Basse																																										
Orifice size	#52 DMS	Taille de l'orifice																																										
Maximum input	33,000 Btu/h (9.66 kW)	Débit calorifique maximal																																										
Minimum input	17,000 Btu/h (4.98 kW)	Débit calorifique minimal																																										
Altitude	0-4500 ft/pi (0-1372 m)	Altitude																																										
Minimum supply pressure	11" WC/C.E. (2.73 kPa)	Pression d'alimentation minimale																																										
Manifold pressure - High	10.5" WC/C.E. (2.62 kPa)	Pression de sortie (manifold) - Haute																																										
Manifold pressure - Low	2.9" WC/C.E. (0.72 kPa)	Pression de sortie (manifold) - Basse																																										
Orifice size	#52 DMS	Taille de l'orifice																																										
Maximum input	33,000 Btu/h (9.66 kW)	Débit calorifique maximal																																										
Minimum input	17,000 Btu/h (4.98 kW)	Débit calorifique minimal																																										
Altitude	0-4500 ft/pi (0-1372 m)	Altitude																																										

This appliance must be installed in accordance with local codes, if any; if none, follow the National Fuel Gas Code, ANSI Z223.1, or Natural Gas and Propane Installation Code, CSA B149.1. This appliance must be installed in accordance with the Standard CAN/CSA Z240 MH, Mobile Housing, in Canada, or with the Manufactured Home Construction and Safety Standard, Title 24 CFR, Part 3280, in the United States, or when such a standard is not applicable, ANSI/NCSCBCS A225.1/NFPA 501A, Manufactured Home Installations Standard. This appliance is only for use with the type(s) of gas indicated on the rating plate and may be installed in an aftermarket, permanently located, manufactured home (USA only) or mobile home, where not prohibited by local codes. See owner's manual for details. This appliance is supplied with a conversion kit. L'appareil doit être installé conformément aux codes et règlements locaux, ou, en l'absence de tels règlements, selon les codes d'installation National Fuel Gas Code ANSI Z223.1, ou CSA-B149.1 Natural Gas and Propane Installation Code en vigueur. L'appareil doit être installé conformément à la norme CAN/CSA-Z240, Série MM, Maisons mobiles, ou la norme 24 CFR Part 3280, Manufactured Home Construction and Safety Standard. Si ces normes ne sont pas applicables, veuillez vous référer à la norme ANSI/NCSCBCS A225.1/NFPA 501A. Cet appareil doit être utilisé uniquement avec les types de gaz indiqués sur la plaque signalétique et peut être installé dans une maison préfabriquée (É.-U. seulement) ou mobile installée à demeure si les règlements locaux le permettent. Voir la notice de l'utilisateur pour plus de renseignements. Une trousse de conversion est fournie avec cet appareil.


For Use Only with Barriers CV50E (Part #940-555/P) Follow installation instructions.
Utiliser uniquement avec écrans CV50E (n° 940-555/P) Suivre les instructions d'installation.
FOR USE WITH GLASS DOORS CERTIFIED WITH THE APPLIANCE ONLY DOIT ÊTRE UTILISÉ UNIQUEMENT AVEC LES PORTES VITRÉES CERTIFIÉES

Electrical supply / Alimentation électrique 115VAC, 2.5A, 60Hz.
 Part No. 946-535 Power vent Horizontal Termination City Series may be used. La terminaison horizontale Power Vent City Series (pièce n°946-535) peut être utilisée e.
 Part No. 666-945 Inline Power vent City Series may be used. La terminaison en ligne Power Vent City Series (pièce n°666-945) peut être utilisée.

FPI Fireplace Products International Ltd.
Delta, BC, Canada
 Made in Canada
 Fabriqué au Canada

VENTED GAS FIREPLACE HEATER - NOT FOR USE WITH SOLID FUELS. CATEGORY I.
FOYER AU GAZ À ÉVACUATION - NE PAS UTILISER AVEC UN COMBUSTIBLE SOLIDE. CATÉGORIE I.

Model/Modèle : ○ CV50E-NG ○ CV50E-LP

	<p>CSA P.4.1 Fireplace Efficiency (FE) /Efficacité énergétique des foyers (EEF) CSA P.4.1 Natural Gas / Gaz naturel 57.49% Propane Gas / Gaz propane 60.56%</p>
---	---

920-655a

For the State of Massachusetts, installation and repair must be done by a plumber or gas fitter licensed in the Commonwealth of Massachusetts.

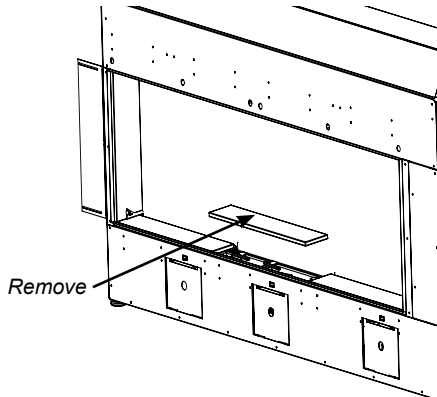
For the State of Massachusetts, flexible connectors shall not exceed 36 inches in length.

For the State of Massachusetts, the appliances individual manual shut-off must be a t-handle type valve.

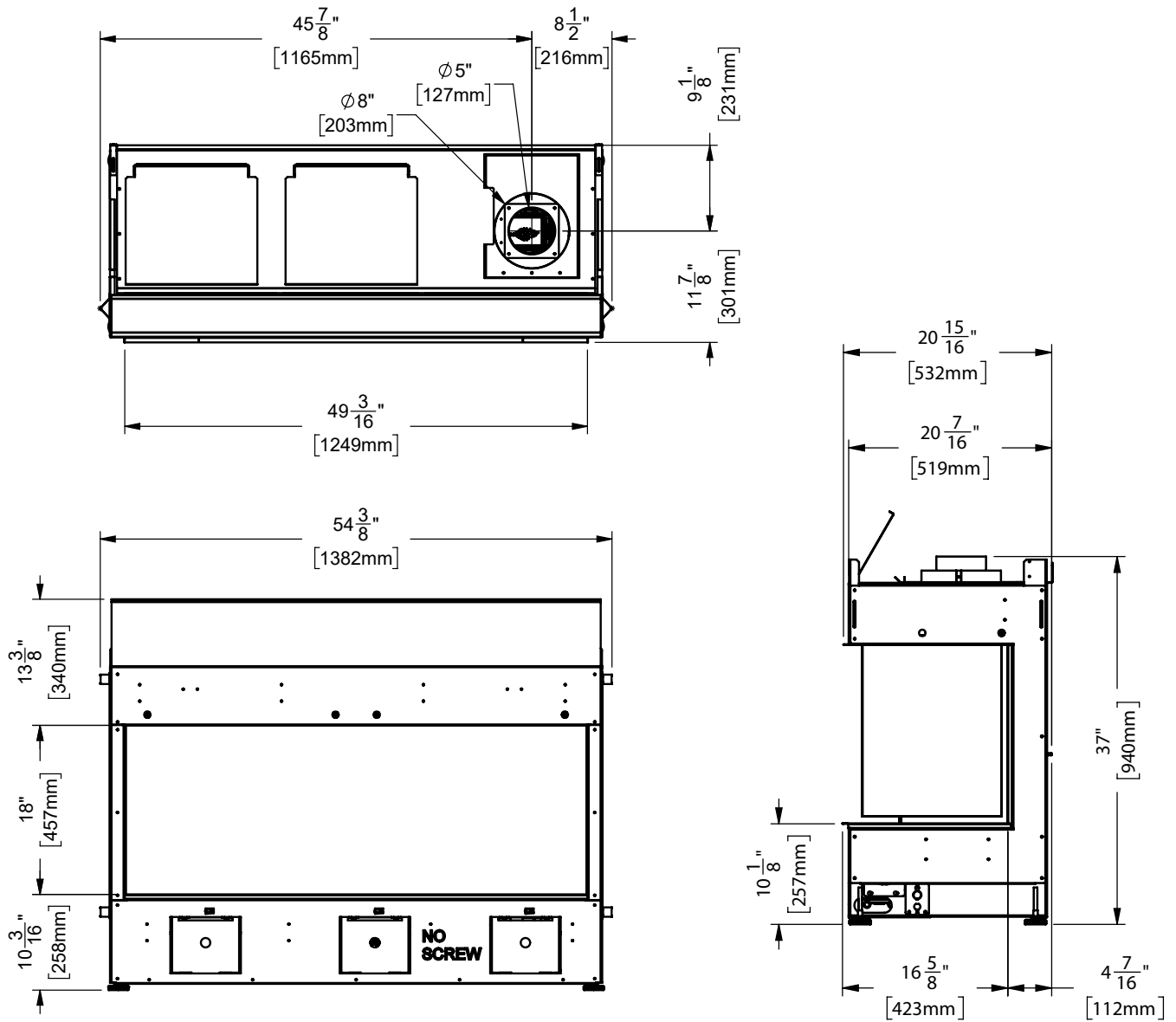
The State of Massachusetts requires the installation of a carbon monoxide alarm in accordance with NFPA 720 and a CO alarm with battery back up in the same room where the gas appliance is installed.

Decal Location

Remove the centre access panel on the outer trim. Data plate will be next to the gas valve, as shown below.



Dimensions



Note: Height Dimension is taken with leveling legs fully inserted and may vary depending on the height of the leveling legs, when unscrewed or extended.

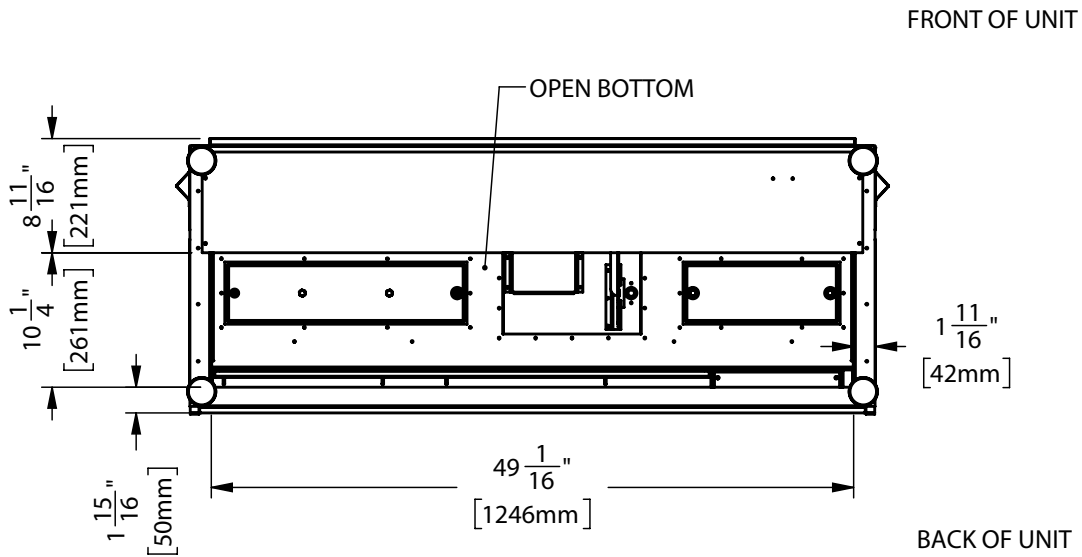
Dimensions will appear as (inches)" / (metric) mm throughout this manual. The inches are rounded to the nearest 1/16" when converted, when greater accuracy is required, use the metric dimensions.

Note: These units are non-load bearing.

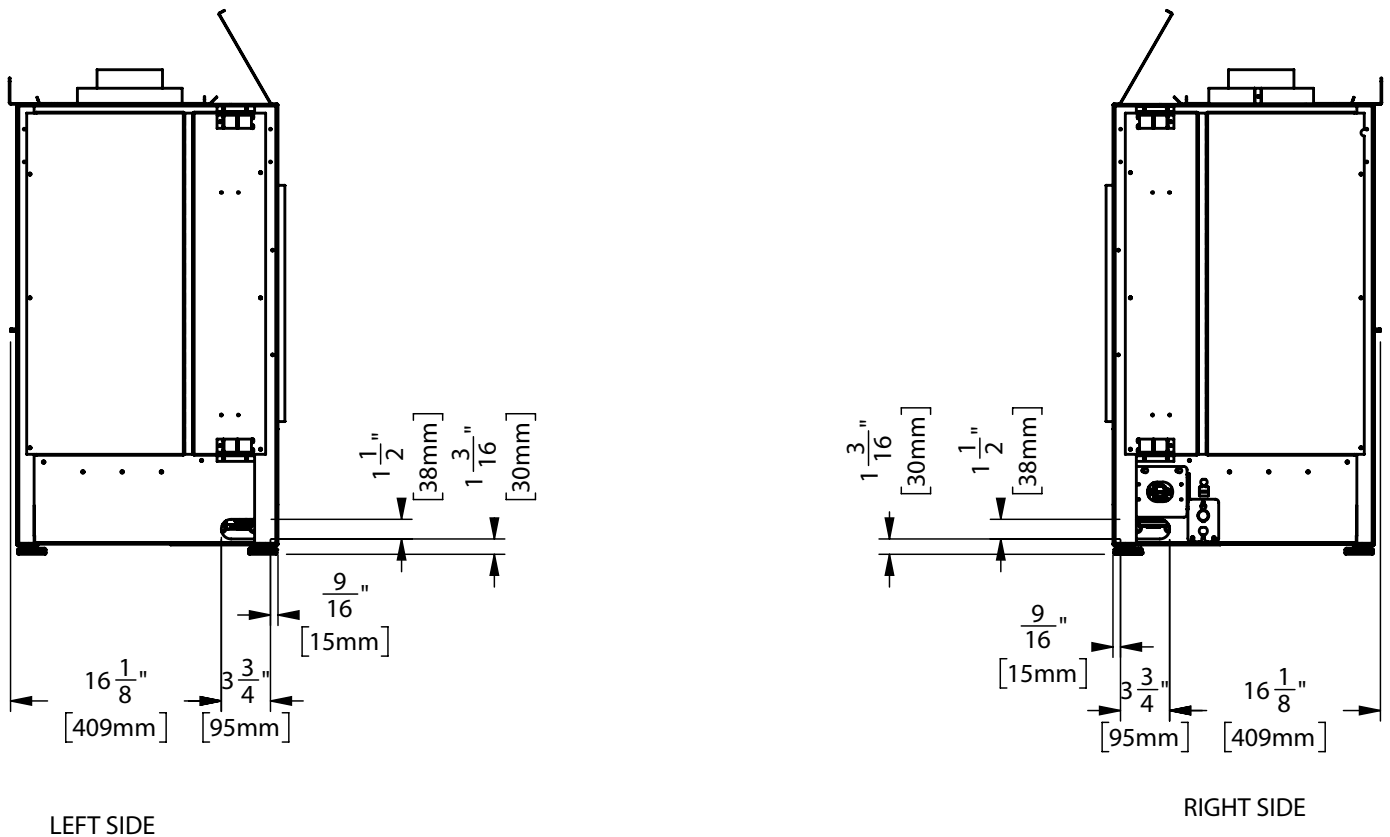
ALL PICTURES / DIAGRAMS SHOWN THROUGHOUT THIS MANUAL ARE FOR ILLUSTRATION PURPOSES ONLY. ACTUAL PRODUCT MAY VARY DUE TO PRODUCT ENHANCEMENTS.

dimensions

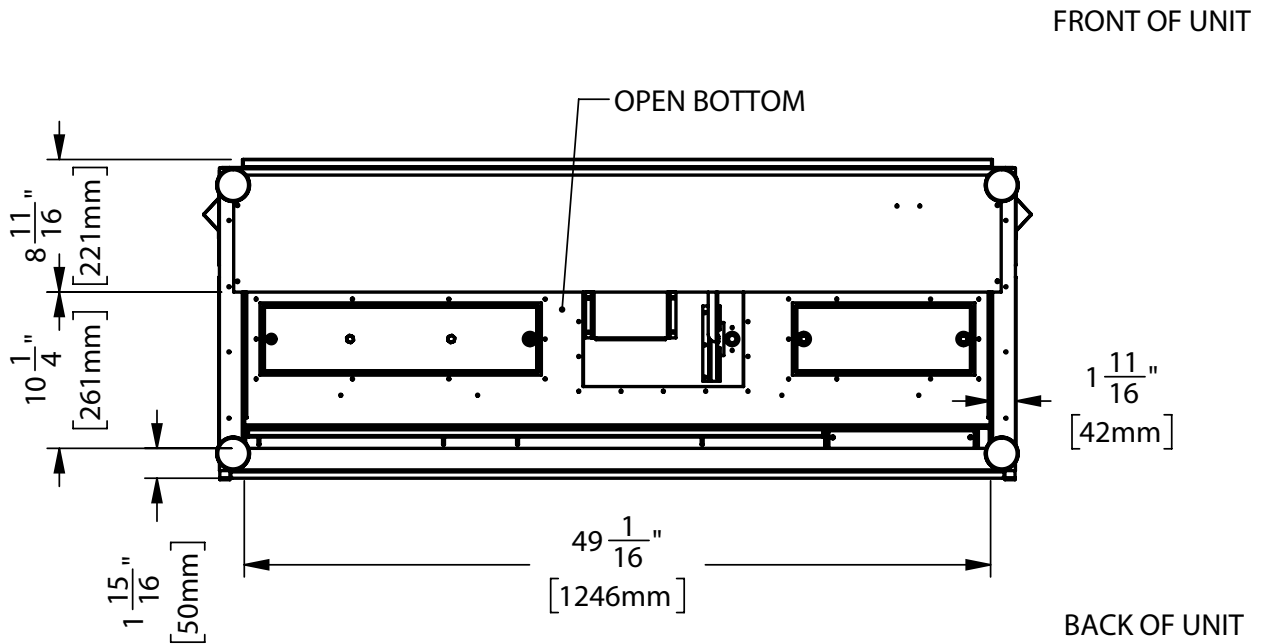
Gas Connection - Bottom of Unit



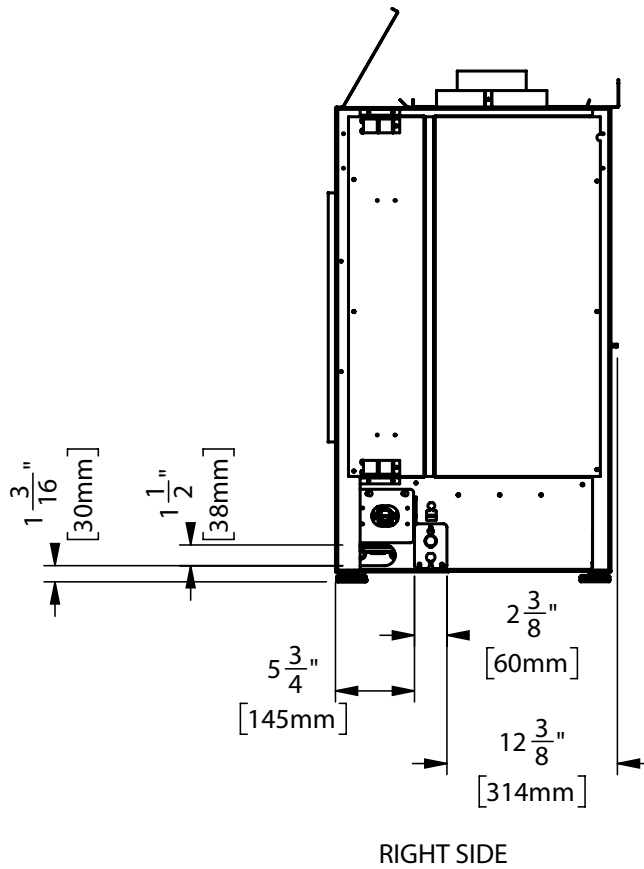
Gas Connection - Side of Unit



Electrical Connection - Bottom of Unit



Electrical Connection - Side of Unit



installation

Gas Installation Checklist

This general checklist does not contain all pertinent installation details or specifics and does not supersede the guidelines in this manual. Your Regency dealer/installer should use it in conjunction with manual instructions. Please follow all local codes and jurisdictions in authority.

Customer: _____	Date Installed: _____
Install Address: _____	Location of Fireplace: _____
Serial No: _____	Installer: _____
Model No: _____	

Site Requirements	YES	NO
If applicable, are the insulation, vapour barrier, and drywall present if installed on an outside wall or chase?		
Does the area have a solid continuous base to support the unit?		
Will the area accommodate the size of the appliance and all clearances?		
Are the gas and electrical roughed into the area where the unit is being installed?		
In City & Grandview series cool wall applications, is the chase enclosure sealed to prevent heat from escaping? All hot air from the unit must exit via the mandatory ventilation openings.		
In City & Grandview applications, Is the chase enclosure vented with the mandatory heat ventilation openings? See manual for details.		
If applicable, is the masonry/factory built fireplace in its original condition with no modifications?		
If applicable, have the hearth requirements been met?		
Unit Setup	YES	NO
If applicable, are the standoffs and top nailing flange extensions installed and at the correct depth to accommodate finishing material? See manual for details.		
If applicable, is the fireplace level and secured, meeting framing clearances? See manual for details.		
If applicable, is the unit converted to top or rear vent per manual instructions, and the insulation discarded?		
Venting	YES	NO
Are the venting components approved for the unit installed?		
Does the venting configuration comply with venting diagrams?		
Is venting installed and secured, and are clearances for the vent pipe and termination cap maintained?		
If applicable, was a 1/4" rise maintained for every foot of horizontal run?		
Was the termination installed and sealed?		
Is the direct vent termination at the highest point in the vent assembly?		
If applicable, are both chimney liners continuous from flue collars to termination?		
Electrical and Wiring	YES	NO
Is the appliance connected to the household's 110/120v per local codes? Check local codes for receptacle placement.		
Were the connections in the fireplace tested with a circuit tester?		
Is the appliance properly grounded?		
If applicable, is the supplied electrical/gang box affixed to the wall to facilitate the mounting of the receiver/battery box ?		
Gas	YES	NO
Does the supply pressure meet the requirements shown on the rating plate?		
Was a conversion performed?		
Was a leak check performed and manifold pressures verified?		
Is the shut-off valve installed and easily accessible to the customer?		

Finishing	YES	NO
If applicable, is only noncombustible material installed in the noncombustible areas?		
Do clearances meet installation and manual requirements?		
Do the mantels and/or projections comply with the installation manual?		
If applicable, was the solid fuel fireplace warning plate installed?		
Appliance Media Setup	YES	NO
Do commands from the remote or wall switch light the pilot and main burner?		
Are the burner media/log set, glass door, and screen installed per instructions in the manual?		
Was the air shutter on the proper setting after running the unit for 20 minutes?		
If applicable, were the surround and trims installed according to the manual?		
Was the operation of the fan, lights (if installed), and flame modulation checked?		
Customer Tutorial and Presentation	YES	NO
Is the customer confident operating the new gas appliance and aware of all the features on the remote?		
Confirm that the rating and lighting plates are attached to the appliance. Do not remove.		
Was the customer informed of the location of the rating and lighting plates?		
Was accessing unit controls in a power outage explained to the customer?		
Are the model and serial numbers and the date of installation of the unit written in the manual and on the checklist?		
Were the warranty and unit registration reviewed with the customer?		
Comments:		

owner's information

Important Message

SAVE THESE INSTRUCTIONS

City Line Direct Vent Fireplaces must be installed in accordance with these instructions. Carefully read all the instructions in this manual first. Consult the "authority having jurisdiction" to determine the need for a permit prior to starting the installation. It is the responsibility of the installer to ensure this fireplace is installed in compliance with manufacturer's instructions and all applicable codes.

Before You Start

Safe installation and operation of this appliance requires common sense, however, we are required by the Canadian Safety Standards and ANSI Standards to make you aware of the following:

INSTALLATION AND REPAIR SHOULD BE DONE BY AN AUTHORIZED SERVICE PERSON. THE APPLIANCE SHOULD BE INSPECTED BEFORE USE AND AT LEAST ANNUALLY BY A PROFESSIONAL SERVICE PERSON. MORE FREQUENT CLEANING MAY BE REQUIRED DUE TO EXCESSIVE LINT FROM CARPETING, BEDDING MATERIAL, ETC. IT IS IMPERATIVE THAT CONTROL COMPARTMENTS, BURNERS AND CIRCULATING AIR PASSAGEWAYS OF THE APPLIANCE BE KEPT CLEAN.

DUE TO HIGH TEMPERATURES, THE APPLIANCE SHOULD BE LOCATED OUT OF TRAFFIC AND AWAY FROM FURNITURE AND DRAPERIES.

WARNING: FAILURE TO INSTALL THIS APPLIANCE CORRECTLY WILL VOID YOUR WARRANTY AND MAY CAUSE A SERIOUS HOUSE FIRE.



WARNING: Cancer and Reproductive Harm
www.P65Warnings.ca.gov

CHILDREN AND ADULTS SHOULD BE ALERTED TO THE HAZARDS OF HIGH SURFACE TEMPERATURES, ESPECIALLY THE FIREPLACE GLASS, AND SHOULD STAY AWAY TO AVOID BURNS OR CLOTHING IGNITION.

YOUNG CHILDREN SHOULD BE CAREFULLY SUPERVISED WHEN THEY ARE IN THE SAME AREA AS THE APPLIANCE. TODDLERS, YOUNG CHILDREN AND OTHERS MAY BE SUSCEPTIBLE TO ACCIDENTAL CONTACT BURNS. A PHYSICAL BARRIERS IS RECOMMENDED IF THERE ARE AT RISK INDIVIDUAL IN THE HOUSE. TO RESTRICT ACCESS TO A FIREPLACE OR STOVE, INSTALL AN ADJUSTABLE SAFETY GATE TO KEEP TODDLERS, YOUNG CHILDREN AND OTHER AT RISK INDIVIDUALS OUT OF THE ROOM AND AWAY FROM HOT SURFACES.

CLOTHING OR OTHER FLAMMABLE MATERIAL SHOULD NOT BE PLACED ON OR NEAR THE APPLIANCE.

A BARRIER DESIGNED TO REDUCE THE RISK OF BURNS FROM THE HOT VIEWING GLASS IS PROVIDED WITH THIS APPLIANCE AND SHALL BE INSTALLED FOR THE PROTECTION OF CHILDREN AND OTHER AT-RISK INDIVIDUALS.

ANY SAFETY SCREEN, GUARD, OR BARRIER REMOVED FOR SERVICING THE APPLIANCE, MUST BE REPLACED PRIOR TO OPERATING THE APPLIANCE.

IF THE BARRIER BECOMES DAMAGED, THE BARRIER SHALL BE REPLACED WITH THE MANUFACTURER'S BARRIER FOR THIS APPLIANCE.

WE RECOMMEND REMOVING THE GLASS WITH THE GLASS VACUUM HOLDERS SUPPLIED BY THE MANUFACTURER. LOWER THE GLASS TO REST IN A SAFE PLACE. THIS IS TO PREVENT DAMAGE TO THE GLASS EDGES. EXTRA CARE MUST BE TAKEN WHEN REMOVING/INSTALLING THE GLASS. BREAKAGE OR DAMAGE TO THE EDGE OF THE GLASS WHICH OCCURS AS A RESULT OF CARELESS HANDLING WILL NOT BE COVERED UNDER WARRANTY.

First Fire

The FIRST FIRE in your fireplace is part of the paint curing process. To ensure the paint is properly cured, it is recommended you burn your fireplace for at least four (4) hours the first time.

When first operated, the unit will release an odour caused by the curing of the paint and the burning off of any oils remaining from manufacturing. Smoke detectors in the house may go off at this time. Open a few windows to ventilate the room for a couple of hours. The glass may require cleaning.

NOTE: When the glass is cold and the appliance is lit, it may cause condensation and fog the glass. This condensation is normal and will disappear in a few minutes as the glass heats up.

DO NOT ATTEMPT TO CLEAN THE GLASS WHILE IT IS STILL **HOT!**

DO NOT BURN THE UNIT WITHOUT THE GLASS IN PLACE.

During the first few fires, a white film may develop on the glass front as part of the curing process. The glass should be cleaned after the unit has cooled down or the film will bake on and become very difficult to remove. Use a non-abrasive cleaner and DO NOT ATTEMPT TO CLEAN THE GLASS WHILE IT IS HOT.

Normal Operating Sounds Of Gas Appliances

It is possible that you will hear some sounds from your gas appliance. This is perfectly normal due to the fact that there are various gauges and types of steel used within your appliance. Listed below are some examples. All are normal operating sounds and should not be considered as defects in your appliance.

Burner Tray:

The burner tray is positioned directly under the burner tube(s) media and logs and is made of a different gauge material from the rest of the firebox and body. Therefore, the varying thicknesses of steel will expand and contract at slightly different rates which can cause "ticking" and "cracking" sounds. You should also be aware that as there are temperature changes within the unit these sounds will likely re-occur. Again, this is normal for steel fireboxes.

Pilot Flame:

While the pilot flame is on it can make a very slight "whisper" sound.

Gas Control Valve:

As the gas control valve turns ON and OFF, a dull clicking sound may be audible, this is normal operation of a gas regulator or valve.

Unit Body/Firebox:

Different types and thicknesses of steel will expand and contract at different rates resulting in some "cracking" and "ticking" sounds will be heard throughout the cycling process.

Non Power Vent/Power Vent Switch

1. To access the switch, remove the screw and pull the cover off as shown below.



NOTE The outer barrier glass and outer panels need to be removed to gain access.

2. The switch position must be as follows:
Power vent model (O)
Non power vent model (I)



NOTE This switch would have been positioned at time of install and should never have to be moved from one position to another. This switch is hidden to avoid the home owner having the switch in wrong position.

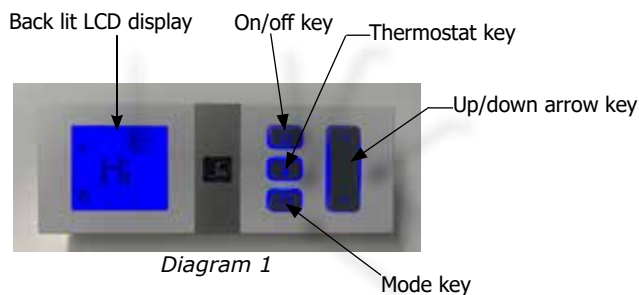
owner's information

Lighting Procedure

IMPORTANT The remote control system supplied has several options for starting/operating the appliance using the battery holder and ON/OFF key on the hand-held transmitter.

Prior to operating this appliance, please read the instructions packaged with the remote control to understand how to operate the system.

1. Ensure the battery holder switch is in the REMOTE position and / or wall-mounted battery holder (if equipped) is in the REMOTE position.
2. Press and release the ON/OFF button on the remote hand-held transmitter (see Diagram 1). A beep should be heard from the receiver. If not using the remote, turn the appliance on by sliding the battery holder switch to the ON position.
3. After approximately four seconds for non power vent models or 15 seconds for power vent models, the spark ignition system will spark for 60 seconds to light the main burner.

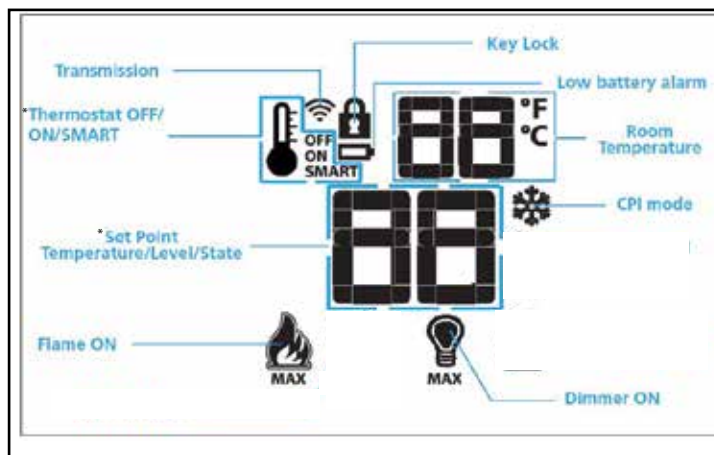


4. The unit will turn on.
5. Reset the system as follows:
 - a) Turn the system off by pressing the ON/OFF button on the remote .
 - b) Wait 5 minutes, then repeat the process from step 2.

NOTE The first try for ignition will last approximately 60 seconds. If there is no flame ignition (rectification), the board will stop sparking for approximately 35 seconds. After wait time, the board will start second try for ignition by sparking for approximately 60 seconds. If there is still no positive ignition, the board will go into lock out.

Shutdown Procedure

1. Press the ON/OFF button on the remote.
2. Before service is performed, you must disconnect the power and shut off gas to the appliance.



* Not offered on all models.

Continuous Pilot/Intermittent Pilot (CPI/IPI) selection

See remote control instructions for details.

NOTE Power vent models do not have a continuous pilot option.

Copy of the Lighting Plate Instructions

**FOR YOUR SAFETY READ BEFORE LIGHTING
POUR VOTRE SÉCURITÉ – À LIRE AVANT LA MISE EN MARCHÉ**

WARNING: If you do not follow these instructions exactly, a fire or explosion may result causing property damage, personal injury or loss of life. Improper installation, adjustment, alteration, service or maintenance can cause injury or property damage. Refer to the owner's information manual provided with this appliance. For assistance or additional information consult a qualified installer, service agency or gas supplier.

AVERTISSEMENT : Quiconque ne respecte pas scrupuleusement les instructions de la présente notice risque de déclencher un incendie ou une explosion pouvant entraîner des dégâts matériels ou des blessures pouvant être mortelles. Tout défaut d'installation, de réglage, de modification, de service ou d'entretien peut entraîner des blessures ou des dommages matériels. Reportez-vous au manuel d'utilisation fourni avec cet équipement. Pour obtenir de l'aide ou des informations complémentaires, consulter un installateur ou un service d'entretien qualifié, ou le fournisseur de gaz.

- A) This appliance is equipped with an ignition device which automatically lights the pilot.
Do not try to light the pilot by hand.
- B) **BEFORE OPERATING** smell all around the appliance area for gas. Be sure to smell next to the floor because some gas is heavier than air and will settle on the floor.
WHAT TO DO IF YOU SMELL GAS
- Do not try to light any appliance.
 - Do not touch any electric switch, do not use any phone in your building.
 - Leave the building immediately.
 - Immediately call your gas supplier from a neighbours phone. Follow the gas supplier's instructions.
 - If you cannot reach your gas supplier, call the fire department.
- C) Do not use this appliance if any part has been under water. Immediately call a qualified service technician to inspect the appliance and to replace any part of the control system and any gas control which has been underwater.
- A) Cet appareil est muni d'un dispositif d'allumage qui allume automatiquement la veilleuse.
Ne tentez pas d'allumer la veilleuse manuellement.
- B) **AVANT LA MISE EN MARCHÉ**, reniflerez tout autour de l'appareil pour déceler une odeur de gaz. Reniflez au niveau du plancher, car certains gaz sont plus lourds que l'air et peuvent s'accumuler au niveau du sol.
- QUE FAIRE SI VOUS SENTEZ UNE ODEUR DE GAZ :**
- Ne tentez pas d'allumer l'appareil
 - Ne touchez à aucun interrupteur; n'utilisez pas le téléphone se trouvant dans le bâtiment.
 - Quittez immédiatement le bâtiment.
 - Appelez immédiatement votre fournisseur de gaz depuis un téléphone extérieur. Suivez les instructions du fournisseur.
 - Si vous ne pouvez pas rejoindre le fournisseur, appelez le service incendie.
- C) N'utilisez pas cet appareil s'il a été plongé dans l'eau, même partiellement. Faites inspecter l'appareil par un technicien qualifié et remplacez tout élément du système de contrôle ou de commande qui a été plongé dans l'eau.

CAUTION: Hot while in operation. Do not touch. Severe burns may result. Due to high surface temperatures keep children, clothing and furniture, gasoline and other liquids having flammable vapors away. Keep burner and control compartment clean. See installation and operating instructions accompanying appliance.

ATTENTION : Surfaces chaudes lorsque l'appareil est en marche. Ne pas toucher. Risque de brûlures graves. En raison des températures élevées, les enfants, les vêtements et le mobilier, le carburant et tout autre liquide aux vapeurs inflammables doivent être tenus éloignés de l'appareil. Nettoyer régulièrement le brûleur et le compartiment des commandes. Voir les consignes d'installation et d'utilisation fournies avec l'appareil.

OPERATING INSTRUCTIONS / CONSIGNES DE FONCTIONNEMENT

- 1) **STOP! Read the safety information above on this label.**
 - 2) Ensure the Main switch is in the ON position and/or the wall mounted battery holder (if equipped) is in the <REMOTE> position.
 - 3) Press and release the ON/OFF button on the remote handheld transmitter. An audible beep should be heard from the receiver. If not using the remote, the unit can also be turned on by sliding the battery holder switch to the <ON> position (if equipped).
 - 4) After approximately 4 seconds the spark ignition system will spark for 60 seconds to light the main burner.
 - 5) The unit will turn on.
Note: The first attempt to ignition will last approximately 60 seconds. If there is no flame ignition (rectification) the board will stop sparking for approximately 35 seconds. After this wait time, the board will start a second try for ignition by sparking for approximately 60 seconds. If there is still no positive ignition after the second attempt the board will go into lock out.
The system will need to be reset as follows (after going into lock out mode):
 - a) Wait 5 minutes - turn the system off by pressing the ON/OFF button on the remote.
 - b) After approximately 2 seconds press the ON/OFF button again.
 - c) Unit will repeat step 2.
 - 6) If the appliance will not operate, follow the instructions, "To Turn Off Gas to Appliance" and call your service technician or gas supplier. This appliance is equipped with an on-demand pilot that shuts off after seven days.
- 1) **STOP! Lisez les instructions de sécurité sur la portion supérieure de cette étiquette.**
 - 2) S'assurer que le commutateur principal est en position ON et/ou que le bloc-piles mural (le cas échéant) est en position <REMOTE>.
 - 3) Appuyer sur la touche ON/OFF de la télécommande puis relâcher. Un bip sonore retentira depuis le récepteur. Si vous n'utilisez pas la télécommande, l'appareil peut également être allumé en faisant glisser le commutateur du bloc-piles sur la position <ON> (le cas échéant).
 - 4) Après environ 4 secondes, le système d'allumage produira une étincelle pendant 60 secondes pour allumer le brûleur principal.
 - 5) L'appareil s'allumera.
Remarque : Au premier allumage, le système tente d'allumer les flammes pendant 60 secondes. Si l'essai est infructueux, le système fera une pause de 35 secondes. C'est ce qu'on appelle l'étape de rectification. Ce délai écoulé, le système tente à nouveau d'allumer les flammes en produisant des étincelles pendant 60 secondes. Si les flammes ne s'allument toujours pas, le système se met en mode verrouillage.
Il faut alors le réinitialiser en suivant les étapes ci-dessous (pour le déverrouiller) :
 - a) Attendre 5 minutes et éteindre l'appareil en appuyant sur la touche ON/OFF de la télécommande.
 - b) Attendre 2 secondes et appuyer encore une fois sur la touche ON/OFF.
 - c) L'appareil répètera l'étape 2.
 - 6) Si l'appareil ne fonctionne pas, suivez les instructions "Pour couper le gaz au niveau de l'appareil" et appelez un technicien qualifié ou votre fournisseur de gaz.
Cet appareil est équipé d'une veilleuse sur demande qui s'éteint après sept jours.

TO TURN OFF GAS TO APPLIANCE / POUR COUPER LE GAZ AU NIVEAU DE L'APPAREIL

- 1) Press the ON/OFF button on the remote or slide the wall mount switch to the "OFF" position.
- 2) If service is to be performed—you must disconnect power and shut off gas to the unit.
- 1) Appuyer sur la touche ON/OFF de la télécommande ou faites glisser l'interrupteur mural sur la position "OFF".
- 2) Lors de l'entretien de l'appareil, vous devez débrancher l'alimentation électrique et couper le gaz alimentant l'appareil.

DO NOT REMOVE THIS INSTRUCTION PLATE

NE PAS ENLEVER CETTE ÉTIQUETTE D'INSTRUCTIONS

919-649b

Proflame II Remote Control Operating Instructions

NOTES

The Proflame Transmitter 2 is an integrated part of the Proflame 2 System, which consists of these elements:

- » Proflame 2 Transmitter, in conjunction with
- » Integrated Fireplaces Control (Proflame 2 IFC)

The Proflame 2 Transmitter controls the following hearth appliance functions:

1. Main burner on/off.
2. Main burner flame modulation (6 levels).
3. Choice of standing or intermittent pilot (CPI/IPI) (non power vent only).
4. Thermostat and smart thermostat functions.
5. Accent light modulation (6 levels).
6. Split flow valve (not available).
7. On/Off relay.
8. Comfort fan speed modulation (6 levels) (not available).

The Proflame Transmitter uses a streamlined design with a simple button layout and informative LCD display (fig. 1). A mode key scrolls between the features and a thermostat key is used to turn on/off or scroll through thermostat functions (fig. 1 & 2). There is also a key lock feature (fig. 22).

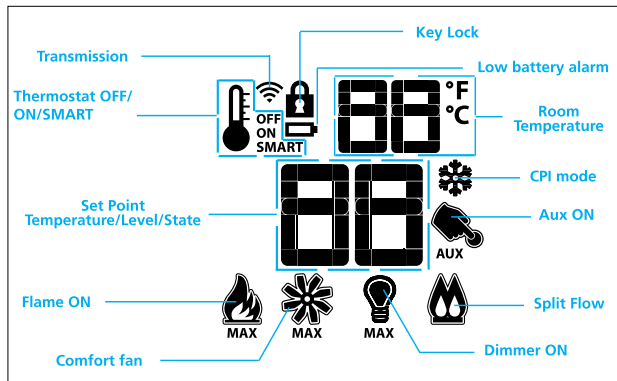


Figure 1: Transmitter LCD Display

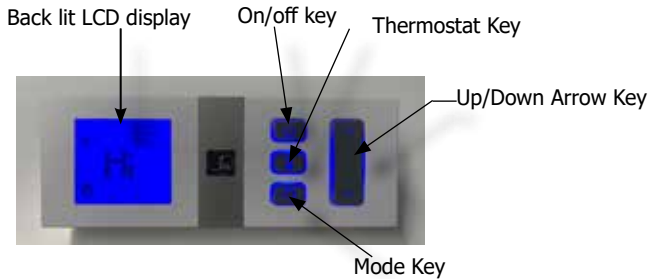


Figure 2: Proflame Transmitter

TECHNICAL DATA REMOTE CONTROL	
Supply voltage	4.5V (three 1.5V AAA batteries)
Ambient temperature ratings	0 - 50°C (32 - 122°F)
Typical operative distance in free air	12 m (39 ft)
Radio frequency	315 MHZ (FCC version)

WARNING

The transmitter and IFC are radio frequency devices.

ATTENTION

- Turn OFF the main gas supply of the appliance prior to installation or maintenance of the IFC, and removing or reinserting the batteries.
- In case of remote control malfunction, turn off the IFC device using the ON/OFF main switch.
- For installation / maintenance, switch off the IFC device removing main power supply plug.

Non-Power Vent Model: Install the 4 AA batteries during power outages to run the main burner. However, the lights will not operate.

Power Vent Model: This appliance will not operate if 120 volt power is lost within the home.

This appliance requires coding/pairing of the remote control and IFC (Integrated Fireplace Control). See instructions in this manual.

Pairing the remote control to remote receiver/ battery holder (if required)

Power the receiver and press the PRG button located on its top right corner - see the receiver instruction marked (*). The receiver will beep three times when ready to synchronize with a transmitter. Install three AAA batteries in the battery bay, at the base of the transmitter (fig. 3). Press the ON button. The receiver's command is accepted and sets to the particular code of that transmitter. The system is now initialized.

(*) The receiver may be independent or integral to the IFC hearth appliance control module. The receiver instruction may not be independent when part of the IFC.



Figure 3: Battery compartment



Temperature indication Display

With the system in the "OFF" position, press the Thermostat Key and the Mode Key at the same time. Look at the LCD screen on the transmitter to verify that a C or F is visible to the right of the room temperature display (Figures 4 & 5).

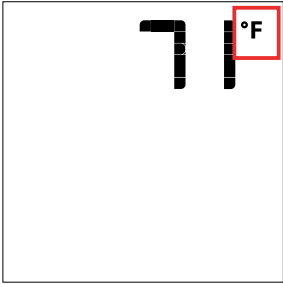


Figure 4: Remote Control display in Fahrenheit.

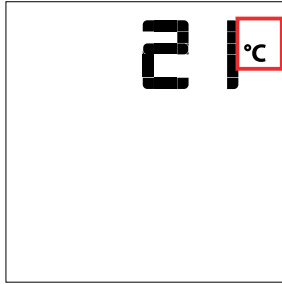


Figure 5: Remote Control display in Celsius.

Turn on the Appliance

With the system OFF, press the ON/OFF Key on the Transmitter. The Transmitter display will show some other active Icons on the screen. At the same time the IFC will activate the appliance. A single "beep" from the IFC will confirm reception of the command.

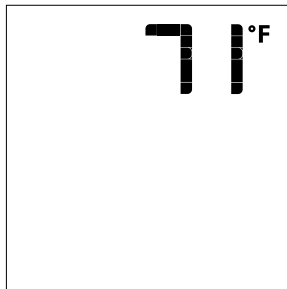


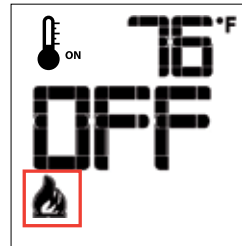
Figure 6: Remote Control display

Turn off the Appliance

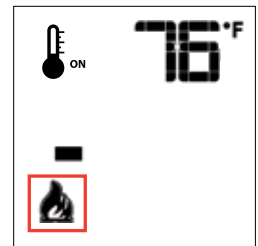
With the system ON, press the ON/OFF Key on the Transmitter. The Transmitter LCD display will only show the room temperature (Fig. 6). At the same time the IFC will turn off the appliance. A single "beep" from the IFC confirms reception of the command.

Remote-Flame Control

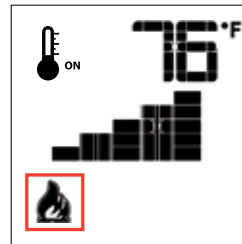
The Proflame has six (6) flame levels. With the system on, and the flame level at the maximum in the appliance, pressing the Down Arrow Key once will reduce the flame height by one step until the flame is turned off. The Up Arrow Key will increase the flame height each time it is pressed. If the Up Arrow Key is pressed while the system is on but the flame is off, the flame will come on in the high position. (Fig. 7 & 8) A single "beep" will confirm reception of the command.



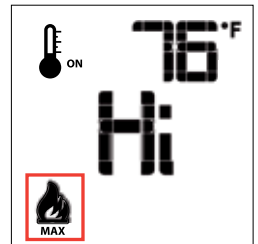
Flame Off



Flame Level 1



Flame level 5



Flame Level Maximum

Fig. 7

Fig. 8

Room Thermostat (Transmitter Operation)

The Remote Control can operate as a room thermostat. The thermostat can be set to a desired temperature to control the comfort level in a room. To activate this function, press the Thermostat Key (Fig. 1). The LCD display on the Transmitter will change to show that the room thermostat is "ON" and the set temperature is now displayed (Fig. 9). To adjust the set temperature, press the Up or Down Arrow Keys until the desired set temperature is displayed on the LCD screen of the Transmitter.

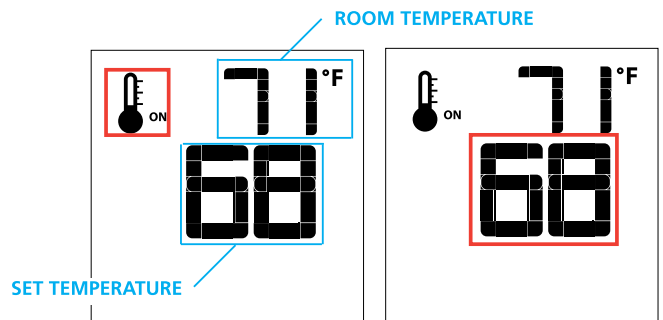


Figure 9

Figure 10

owner's information

Smart Thermostat (Transmitter Operation)

The Smart Thermostat function adjusts the flame height in accordance to the difference between the set point temperature and the actual room temperatures. As the room temperature gets closer to the set point the Smart Function will modulate the flame down.

To activate this function, press the Thermostat Key (Fig. 1) until the word "SMART" appears to the right of the temperature bulb graphic (Fig. 11). To adjust the set temperature, press the Up or Down Arrow Keys until the desired set temperature is displayed on the LCD screen of the Transmitter (Fig. 12).

Note. When Smart Thermostat is activated, manual flame height adjustment is disabled.

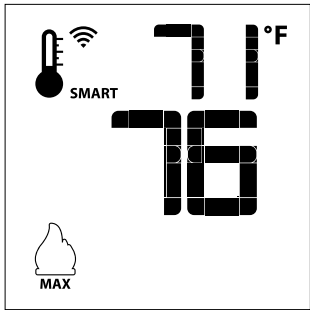


Figure 11: Smart Flame Function

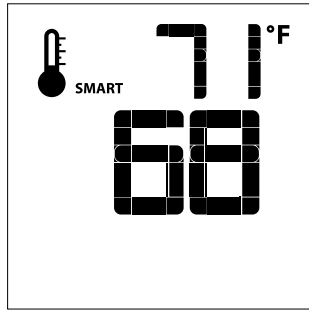


Figure 12

Fan Speed Control**

If the appliance is equipped with a hot air circulating fan, the speed of the fan can be controlled by the Proflame system. The fan speed can be adjusted through six (6) speeds. To activate this function use the Mode Key (fig.1) to index to the fan control icon (Fig. 13). Use the Up/Down Arrow Keys (fig.1) to turn on, off or adjust the fan speed (fig. 14). A single "beep" will confirm reception of the command.



Figure 13

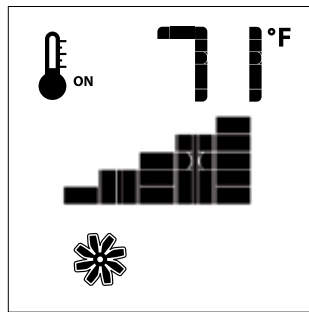


Figure 14

Remote Dimmer Control (Light)**

The auxiliary function controls the AUX power outlet by the dimmable light control. To activate this function use the Mode Key (fig. 1) to index to the AUX icon (fig. 15 & 16).

The intensity of the output can be adjusted through six (6) levels. Use the Up/Down Arrow Keys (Fig.1) adjust the output level (Fig. 16). A single "beep" will confirm reception of the command.

Note: This function is available only with the IFC Control Module.

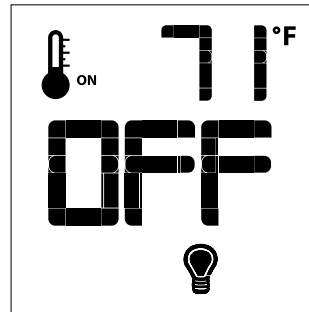


Figure 15

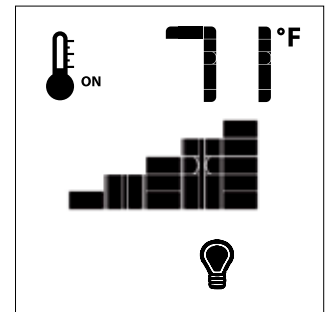


Figure 16

Split Flow control**

The secondary burner is controlled by the split Flow. To activate this function use the Mode Key (fig. 1) to index to the SPLIT FLOW mode icon (fig. 17 & 18).

Pressing the Up Arrow Key will activate the secondary burner. Pressing the Down Arrow Key will turn the secondary burner off. A single "beep" will confirm the reception of the command.

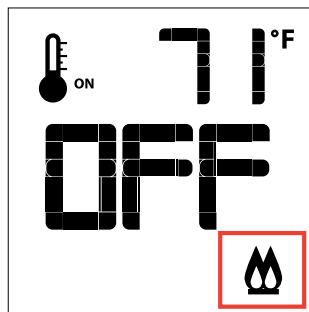


Figure 17

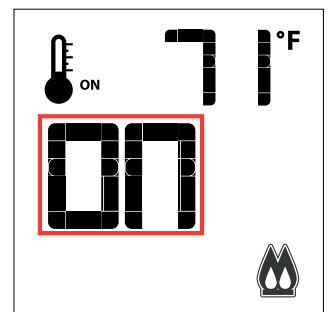


Figure 18

Continuous Pilot/Intermittent Pilot (CPI/IPI) selection

Note: Power vent models do not have a Continuous Pilot option.

With the system in "OFF" position press the Mode Key (fig. 1) to index to the CPI mode icon (fig. 19 & 20). Pressing the Up Arrow Key will activate the Continuous Pilot Ignition mode (CPI). Pressing the Down Arrow Key will return to IPI. A single "beep" will confirm the reception of the command.

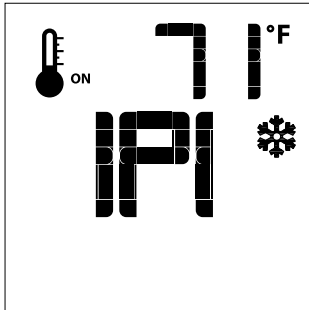


Figure 19

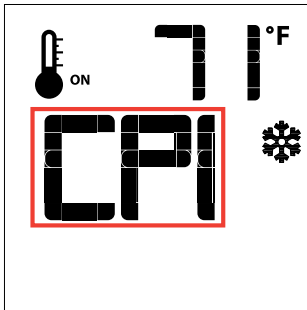


Figure 20

CPI/IPI Switch

This appliance comes equipped with a CPI/IPI switch. The functions of both the CPI/IPI switch are as follows:

Continuous pilot (CPI) - A pilot that when in operation, is intended to remain continuously ignited until it is manually interrupted.

Intermittent pilot (IPI) - A pilot that is automatically ignited when an appliance is called on to operate and which remains continuously ignited during each period of main burner operation. The pilot is automatically extinguished when each main burner operating cycle is completed. The mode of the fireplace is easily changed from an intermittent pilot ignition system (IPI) to a continuous pilot ignition system (CPI) by using remote control as noted above.

The benefits of having as CPI are as follows:

- Keeps venting primed for trouble free start-up under colder weather conditions or inversions.
 - Keeps the unit glass warm, which decreases the amount of condensation on start-up
 - Provides owners with flexibility to choose a traditional continuous pilot.
- The primary benefit of having the IPI function is a significant savings on fuel as the pilot will only run when there is a call for heat.

Thermostat Icon: If the thermostat icon is not present on the remote transmitter, follow instructions noted below:

1. Remove one battery from the remote.
2. Press and hold down the Thermostat button on the remote.
3. Reinstall the battery (removed in Step 1) while still holding down thermostat button.
4. If you see "Set" the thermostat option is now enabled. If you see "Clr" the thermostat option is now disabled.
5. Repeat the procedure if the "Set" or "Clr" to remove or add the option back to the remote did not appear.

Enable all other functions if not present on the remote transmitter, follow instructions noted below:

1. Remove one battery from remote.
2. Press and hold both the **ON/OFF** and **MODE** button at the same time .
3. Reinstall battery removed in Step 1 while holding both buttons—keep holding buttons, then release the **MODE** button only.
4. The screen will show either "Clr" or "Set" as the first option available is to disable or enable a mode.

5. "Clr" will remove a mode—use the up or down arrow while holding down **ON/OFF** and **MODE** (mode icon will disappear once removed).
6. Use the "**MODE**" button to move to the next function.
7. "Set" will add a mode —use the up or down arrow while holding down **ON/OFF** and **MODE** (mode icon will appear when added).
8. Use the "**MODE**" button to move to the next function.

Note: You should never program out the fan (if installed) or CPI/IPI mode on the remote.

Key Lock

This function will lock the keys to avoid unsupervised operation.

To activate this function, press the MODE and UP Keys at the same time (fig. 21).

To de-activate this function, press the MODE and UP Keys at the same time.

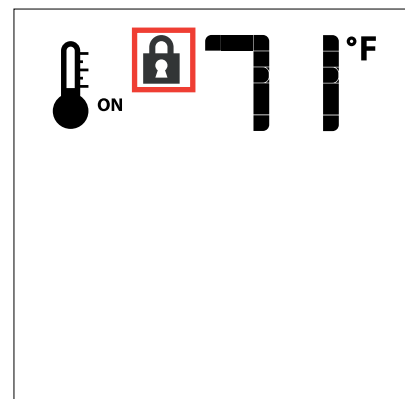


Figure 21

Low Battery Power Detection

Transmitter

The life span of the remote control batteries depends on various factors: quality of the batteries used, the number of ignitions of the appliance, the number of changes to the room thermostat set point, etc.

When the Transmitter batteries are low, a Battery Icon will appear on the LCD display of the Transmitter (Fig. 22) before all battery power is lost. When the batteries are replaced this Icon will disappear.

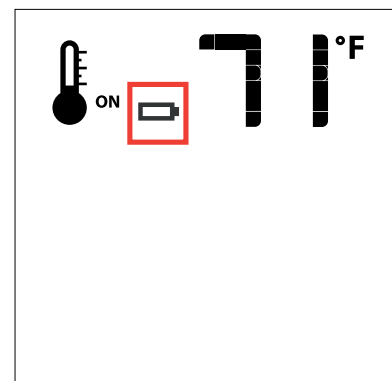


Figure 22

owner's information

Proflame II Battery Holder Battery Replacement & Battery Back Up if 120 Volt Power is lost

IMPORTANT

Non-Power Vent Model: Install the 4 AA batteries during power outages to run the main burner. However, the lights will not operate

Power Vent Model: This appliance will not operate if 120 volt power is lost within the home. This will not operate with 4 AA batteries due to the power vent blower motor requiring AC power to operate.

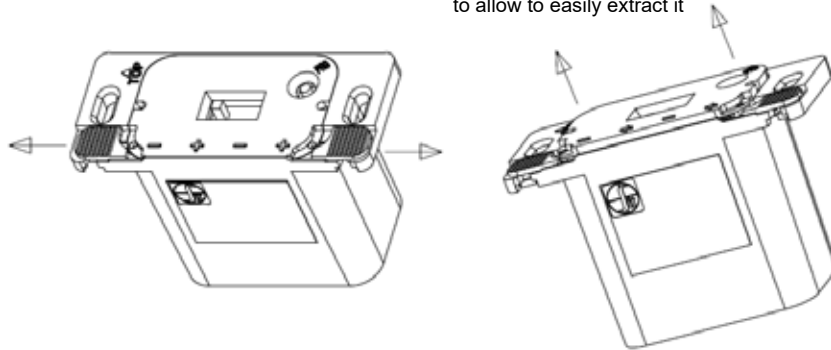
How to replace/add the batteries on battery holder (Proflame 2).

Note : If a wall switch cover plate is installed, first remove cover plate by removing 2 small phillips head screws

STEP 1

Move both the left/right slides as shown below.

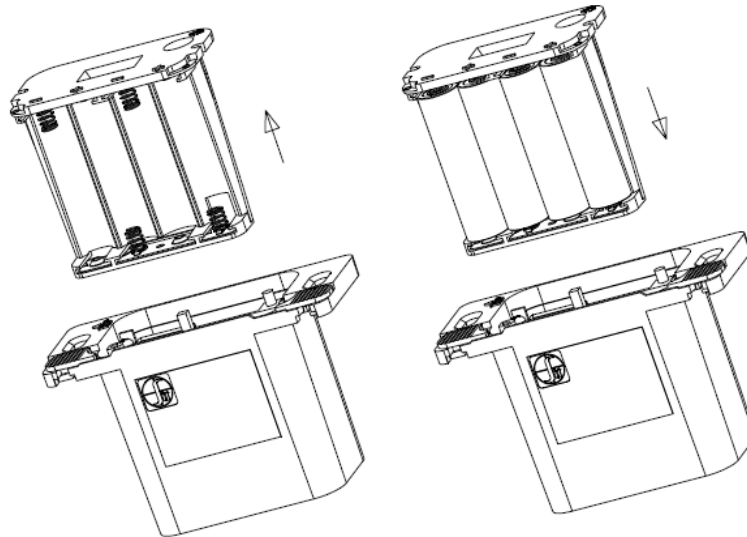
The battery compartment will be pushed out slightly, to allow to easily extract it



STEP 2

Extract the battery compartment from the remote receiver/battery holder

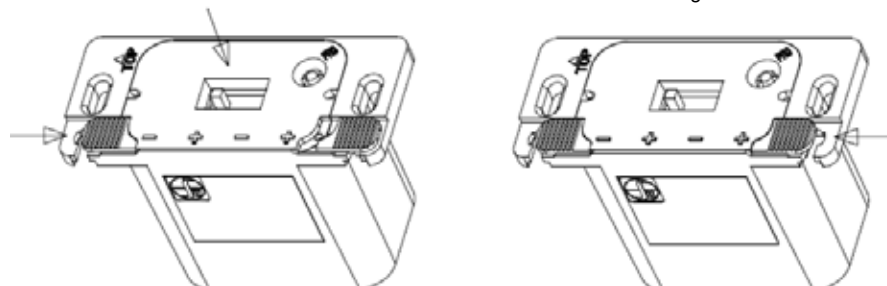
Replace 4 x AA batteries and insert the battery compartment back into remote receiver/battery holder



STEP 3

Keeping the battery compartment pressed in, close the left slide

Close the right slide

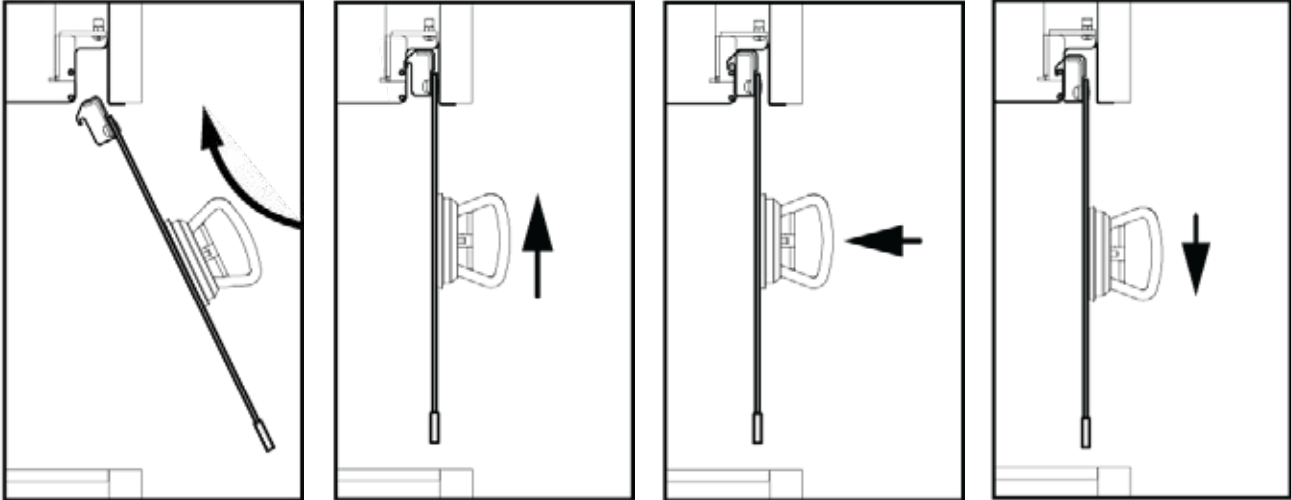
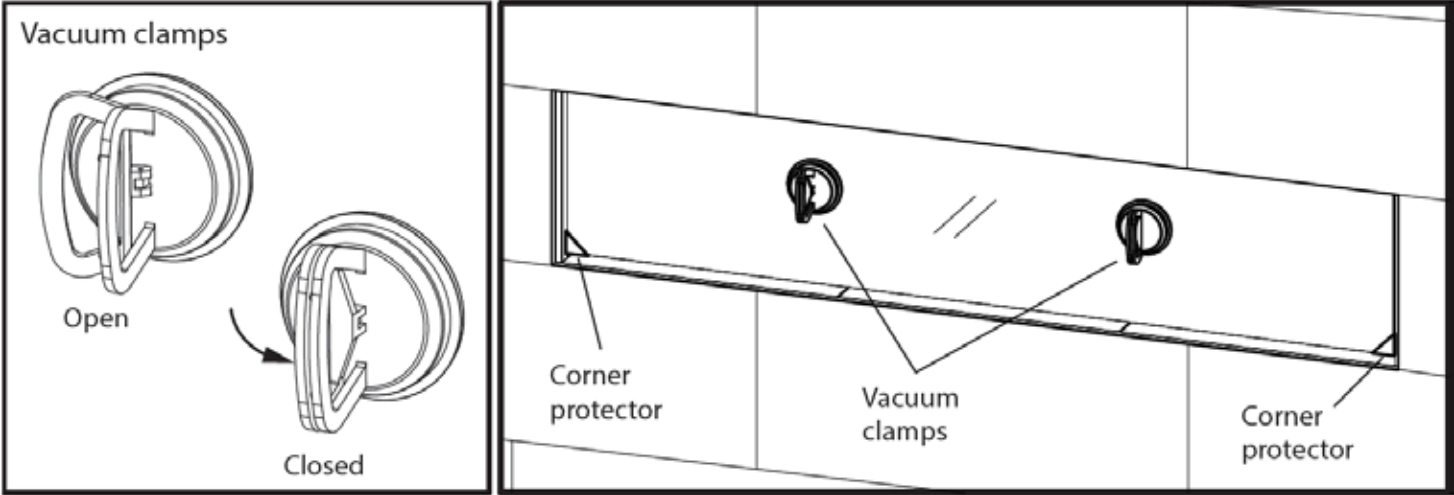


STEP 4 Reinstall wall cover plate with 2 Phillips head screws.

Glass Barrier Removal



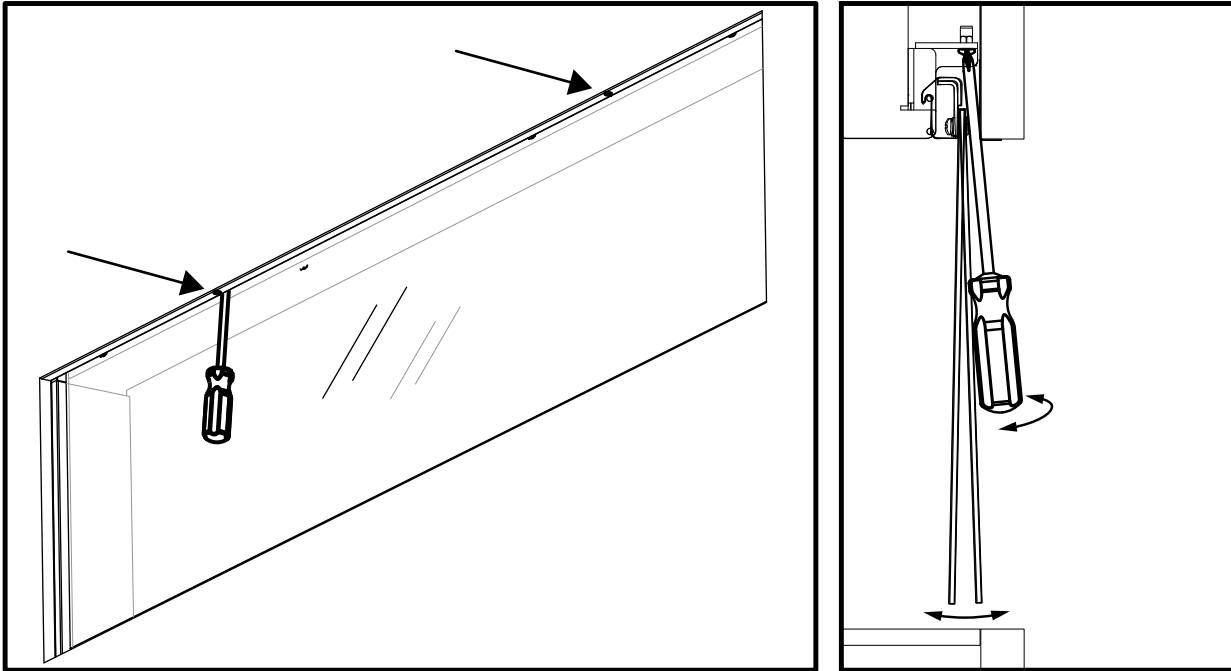
[Glass barrier removal video](#)



owner's information

Glass Barrier Adjustment

If glass isn't hanging straight, use a phillips screwdriver to adjust the angle.
Clockwise = angles barrier out toward you
Counter clockwise = angles barrier in towards the unit.



Slide the screwdriver straight up at the two indicator slots.

Inner Glass Panel Installation / Removal

Note: glass panels must be installed to operate fireplace

WARNING: GLASS HANDLING

We recommend using the glass vacuum holders supplied by the manufacturer. Lower the glass to rest in a safe place to prevent damage to the glass edges. Extra care must be taken when removing/installing the glass; breakage or damage to the edge of the glass which occurs as a result of careless handling is not covered under warranty.

- We recommend handling the glass with the supplied vacuum clamps.
- When removing glass, prepare a soft, scratch-resistant surface to place the firebox glass.
- Never clean or remove hot glass.

Note: The suction cups may leave a round film on the glass when used. Ensure that the glass is cleaned using a fireplace glass cleaner after each removal, and prior to operating the appliance.

1. Remove outer safety barrier glass panels if previously installed—see instructions in this manual.
2. Remove outer panels installed in unit - see panel removal section in this manual.

Press glass vacuum clamps in open position firmly onto surface of glass. Bring handles together to close.



Open



Closed



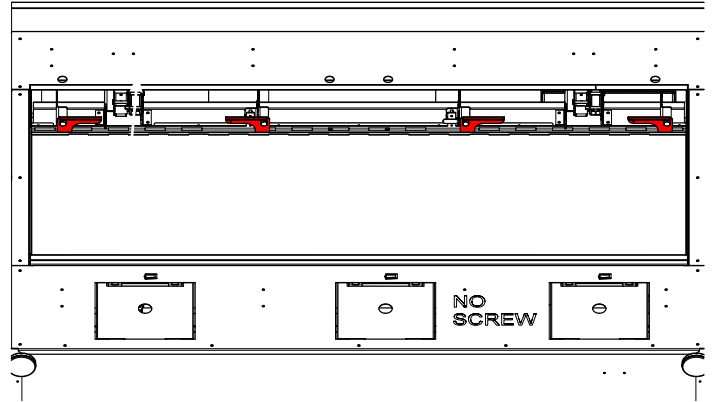
Handle glass with supplied vacuum clamps



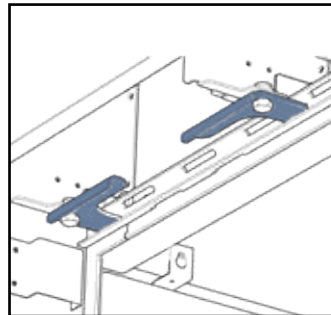
[Glass removal video](#)

Note--the following installation diagrams do not include the vacuum clamps but it is strongly recommended to use clamps at all times when handling the firebox glass.

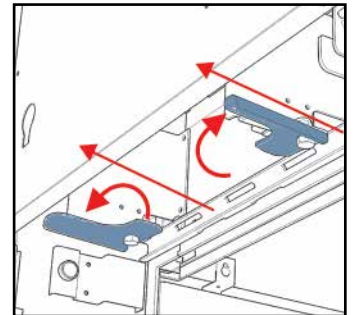
3. Open the 4 clamps at the top of the glass.



With the top clamps in open position, use your hands to pull the two glass gasket rails towards you.

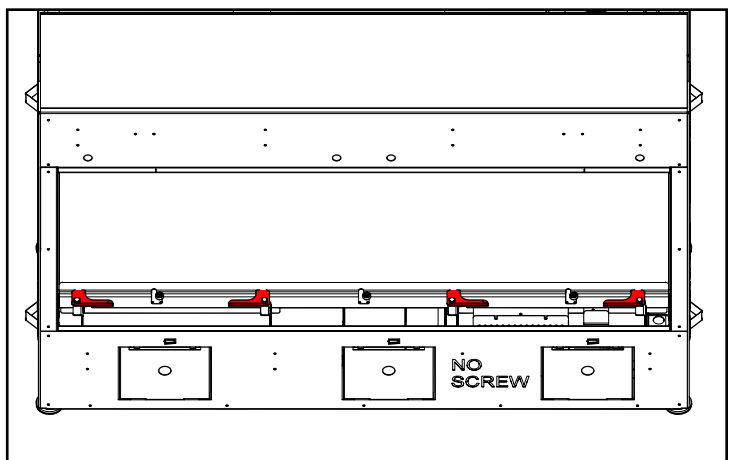


Clamps in closed position



Clamps in open position, rail pulled forward

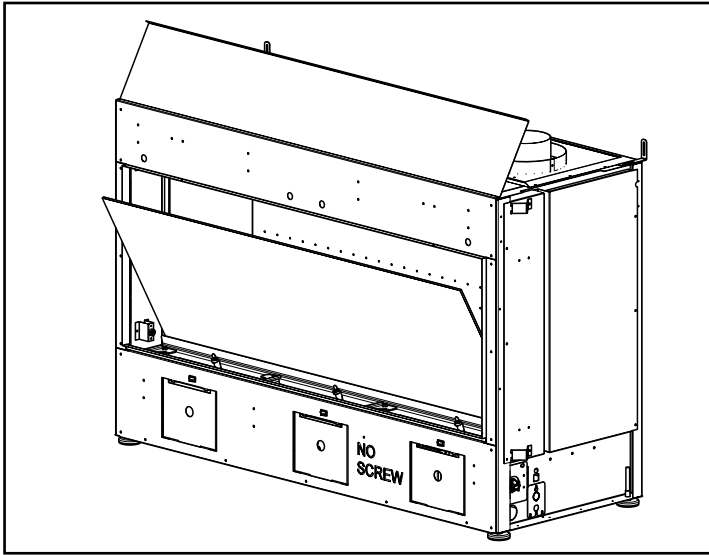
4. Support the glass with one hand and open the 4 lower clamps.



Lower clamps (x9) in open position

owner's information

- Carefully move bottom of glass panel into the support channel as shown below. The glass will lean outwards.



Glass panel--leaning on support

NOTE: The firebox glass may remain propped up in the support channel to clean the interior surface.

NOTE: The firebox glass may remain propped on the glass supports to clean the interior surface. Use care when cleaning -- do not apply excessive force or pressure.

- To remove the firebox glass panel from the unit:** tilt the glass forward gently, grip both suction clamps and lift the glass up and out of the unit.

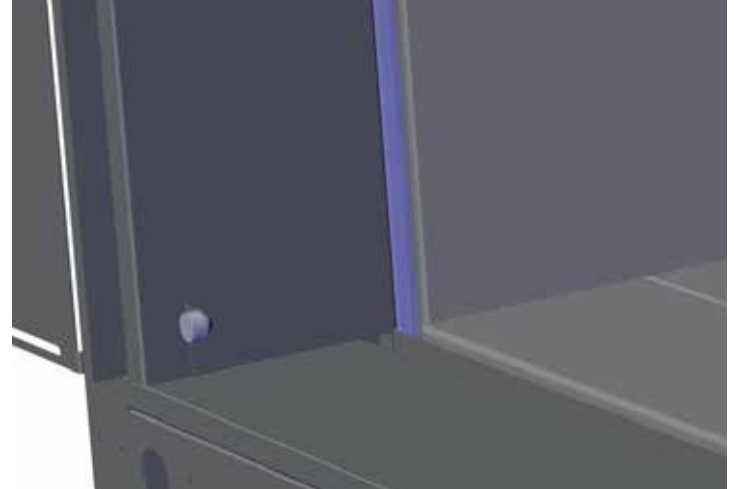
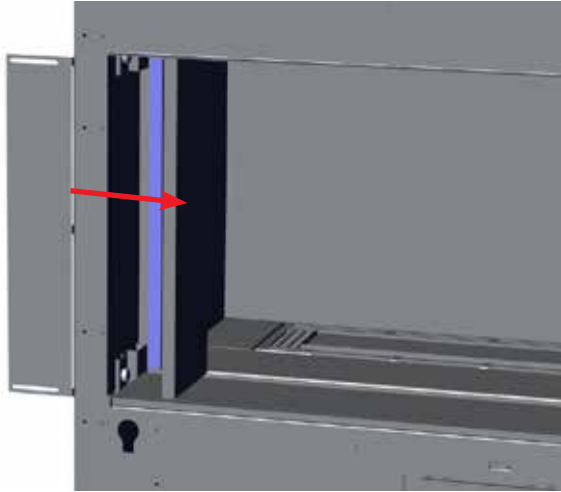
- To install glass--reverse steps.

IMPORTANT: Remove glass panel completely when installing or removing panels, logs, media, etc. to avoid causing any damage to the glass.

Glass Stoppers Installation / Removal

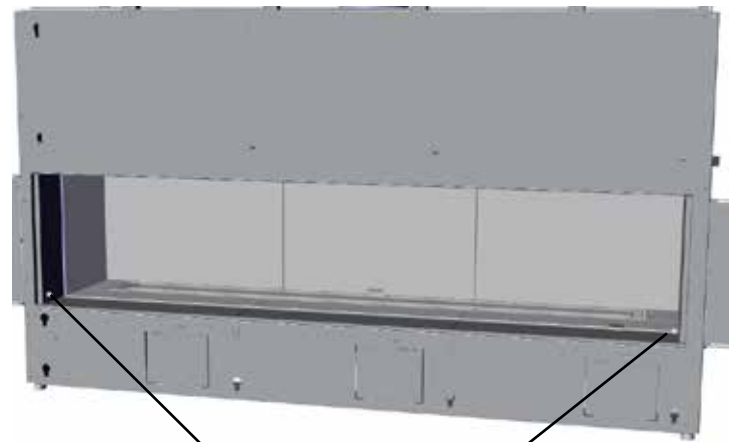
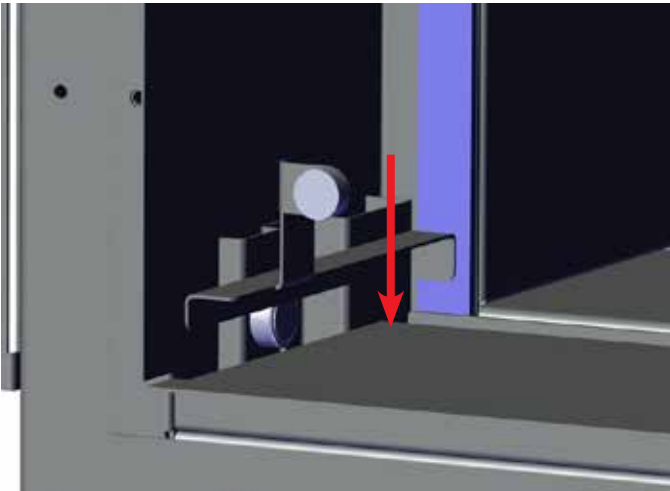
There are 2 optional stoppers included in the manual pack which provide additional support to the glass barrier, if desired--install the stoppers prior to installation of the barrier glass.

1. If already installed, remove the side panel by pulling off and lifting out.



3. Reinstall the side panel.

2. Slide the stopper bracket in between the front panel and the unit wall as shown.



Barrier stoppers installed

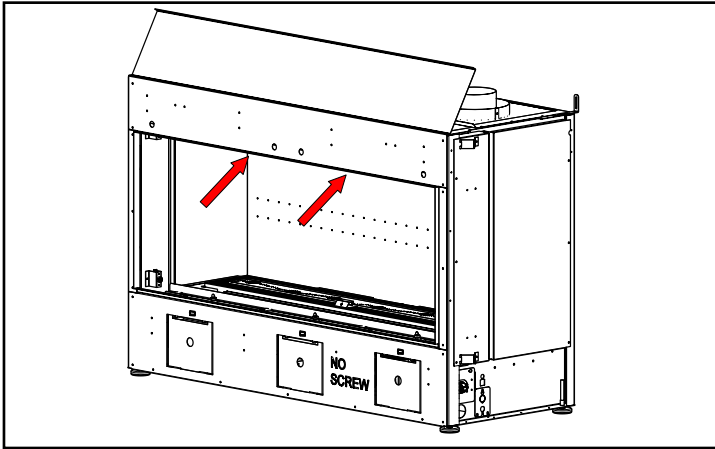
4. Repeat steps 1-3 on the opposite side.

5. Proceed to installation of the barrier glass.

owner's information

Bulb Replacement

1. Turn off power and gas to unit and allow to cool to room temperature.
2. Remove outer safety glass panels and inner panels (firebox glass)—see instructions in this manual.

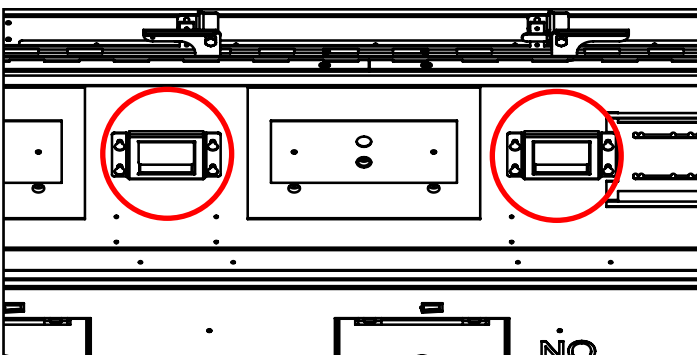


Lights are located behind the front face of the unit

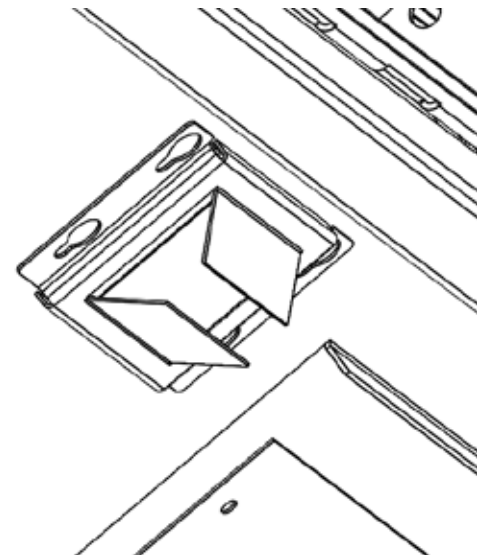
3. Loosen 2 screws on each side of individual inner light cover and remove.
4. Replace bulb and reverse steps to complete procedure.

NOTE: Do not handle bulb with bare hands. Use packaging or a tissue to hold new bulb when replacing.

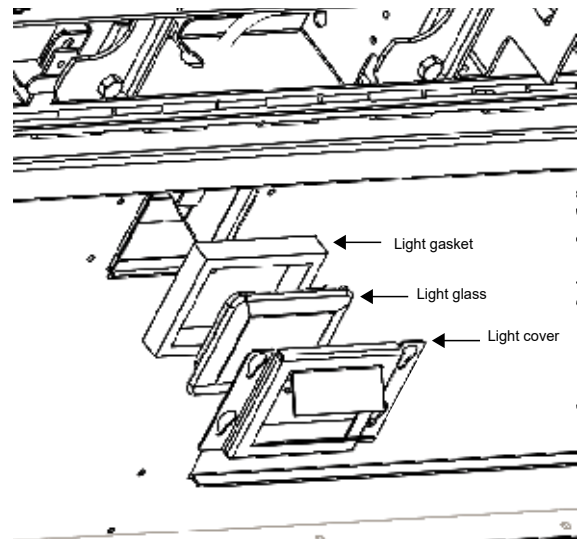
Regency Part# 911-208 Oven Lamp Assembly G9 120V/25W
Regency Part# 911-072_Replacement Bulb G9 120 Volt/25 watt



Inner light covers shown from below



Inner light covers close up



Inner light cover reassembly order

Maintenance Instructions

1. Always turn off the gas valve before cleaning. For relighting, refer to lighting instructions. Keep the burner and control compartment clean by brushing and vacuuming at least once a year. When cleaning the logs, use a soft clean paint brush as the logs are fragile and easily damaged.
2. Clean appliance and door with a damp cloth (never when unit is hot). Never use an abrasive cleaner. The glass should be cleaned with a gas fireplace glass cleaner. **The glass should be cleaned when it starts looking cloudy.**
3. The fireplace is finished in a heat resistant paint and should only be refinished with heat resistant paint. Regency® uses StoveBright Paint - Metallic Black #6309.
4. Make a periodic check of burner for proper position and condition. Visually check the flame of the burner periodically, making sure the flames are steady; not lifting or floating. If there is a problem, call a qualified service person.
5. The appliance and venting system must be inspected before use, and at least annually, by a qualified field service person, to ensure that the flow of combustion and ventilation air is not obstructed.

Note: Never operate the appliance without the glass properly secured in place.

6. Do not use this appliance if any part has been under water. Immediately call a qualified service technician to inspect the appliance and to replace any part of the control system and any gas control which has been under water.
7. In the event this appliance has been serviced check that the vent-air system has been properly resealed & reinstalled in accordance with the manufacturer's instructions.
8. Verify operation after servicing.

General Vent Maintenance

Conduct an inspection of the venting system semi-annually. Recommended areas to inspect as follows:

1. Check the Venting System for corrosion in areas that are exposed to the elements. These will appear as rust spots or streaks, and in extreme cases, holes. These components should be replaced immediately.
2. Remove the Cap, and shine a flashlight down the Vent. Remove any bird nests, or other foreign material.

3. Check for evidences of excessive condensation, such as water droplets forming in the inner liner, and subsequently dripping out the joints. Continuous condensation can cause corrosion of caps, pipe, and fittings. It may be caused by having excessive lateral runs, too many elbows, and exterior portions of the system being exposed to cold weather.
4. Inspect joints, to verify that no pipe sections or fittings have been disturbed, and consequently loosened. Also check mechanical supports such as Wall Straps, or plumbers' tape for rigidity.

Log Replacement

The unit should never be used with broken logs. Turn off the gas valve and allow the unit to cool before opening door and carefully remove the logs. (The pilot light generates enough heat to burn someone.) If for any reason a log should need replacement, you must use the proper replacement log. The position of these logs must be as shown in the diagrams under Log Installation.

Note: Improper positioning of logs may create carbon build-up and will severely alter the unit's performance which is not covered under warranty.

Glass

Your Regency® fireplace is supplied with high temperature 5mm-Tempered outer glass & 5mm-Ceramic inner glass. If your glass requires cleaning, we recommend using an approved glass cleaner available at all authorized dealers. Do not use abrasive materials or ammonia based cleaners.

CAUTION & WARNINGS:

- * Do not clean when the glass is hot.
- * The use of substitute glass will void all product warranties.
- * Care must be taken to avoid breakage of the glass.
- * Do not strike or abuse the glass.
- * Do not operate this fireplace without the glass front or with a cracked or broken glass front.
- * Wear gloves and safety glasses when removing damaged or broken glass.
- * Replacement of the glass panels should be done by a licensed or qualified service person.

WARNING: Do not operate appliance with the glass front removed, cracked, or broken. Replacement of the glass should be done by a licensed or qualified service person.

Glass Replacement

In the event that you break your glass by impact, purchase your replacement from an authorized Regency dealer only. Replacement glass is shipped already installed into the door frame. Reinstall as per Glass Installation in the "Glass Installation" section.

Replacement Glass Part Numbers

Outer Safety Glass Front - Tempered (Part #940-555/P)

Inner Glass Front - Ceramic (Part #940-554/P)

installer's information

MA Code - CO Detector (for the State of Massachusetts only)

5.08: Modifications to NFPA-54, Chapter 10

(2) Revise 10.8.3 by adding the following additional requirements:

(a) For all side wall horizontally vented gas fueled equipment installed in every dwelling, building or structure used in whole or in part for residential purposes, including those owned or operated by the Commonwealth and where the side wall exhaust vent termination is less than seven (7) feet above finished grade in the area of the venting, including but not limited to decks and porches, the following requirements shall be satisfied:

1. **INSTALLATION OF CARBON MONOXIDE DETECTORS.** At the time of installation of the side wall horizontal vented gas fueled equipment, the installing plumber or gasfitter shall observe that a hard wired carbon monoxide detector with an alarm and battery back-up is installed on the floor level where the gas equipment is to be installed. In addition, the installing plumber or gasfitter shall observe that a battery operated or hard wired carbon monoxide detector with an alarm is installed on each additional level of the dwelling, building or structure served by the side wall horizontal vented gas fueled equipment. It shall be the responsibility of the property owner to secure the services of qualified licensed professionals for the installation of hard wired carbon monoxide detectors

a. In the event that the side wall horizontally vented gas fueled equipment is installed in a crawl space or an attic, the hard wired carbon monoxide detector with alarm and battery back-up may be installed on the next adjacent floor level.

b. In the event that the requirements of this subdivision can not be met at the time of completion of installation, the owner shall have a period of thirty (30) days to comply with the above requirements; provided, however, that during said thirty (30) day period, a battery operated carbon monoxide detector with an alarm shall be installed.

2. **APPROVED CARBON MONOXIDE DETECTORS.** Each carbon monoxide detector as required in accordance with the above provisions shall comply with NFPA 720 and be ANSI/UL 2034 listed and IAS certified.

3. **SIGNAGE.** A metal or plastic identification plate shall be permanently mounted to the exterior of the building at a minimum height of eight (8) feet above grade directly in line with the exhaust vent terminal for the horizontally vented gas fueled heating appliance or equipment. The sign shall read, in print size no less than one-half (1/2) inch in size, "**GAS VENT DIRECTLY BELOW. KEEP CLEAR OF ALL OBSTRUCTIONS**".

4. **INSPECTION.** The state or local gas inspector of the side wall horizontally vented gas fueled equipment shall not approve the installation unless, upon inspection, the inspector observes carbon monoxide detectors and signage installed in accordance with the provisions of 248 CMR 5.08(2)(a)1 through 4.

(b) **EXEMPTIONS:** The following equipment is exempt from 248 CMR 5.08(2)(a)1 through 4:

1. The equipment listed in Chapter 10 entitled "Equipment Not Required To Be Vented" in the most current edition of NFPA 54 as adopted by the Board; and

2. Product Approved side wall horizontally vented gas fueled equipment installed in a room or structure separate from the dwelling, building or structure used in whole or in part for residential purposes.

(c) **MANUFACTURER REQUIREMENTS - GAS EQUIPMENT VENTING SYSTEM PROVIDED.** When the manufacturer of Product Approved side wall horizontally vented gas equipment provides a venting system design or venting system components with the equipment, the instructions provided by the manufacturer for installation of the equipment and the venting system shall include:

1. Detailed instructions for the installation of the venting system design or the venting system components; and

2. A complete parts list for the venting system design or venting system.

(d) **MANUFACTURER REQUIREMENTS - GAS EQUIPMENT VENTING SYSTEM NOT PROVIDED.** When the manufacturer of a Product Approved side wall horizontally vented gas fueled equipment does not provide the parts for venting the flue gases, but identifies "special venting systems", the following requirements shall be satisfied by the manufacturer:

1. The referenced "special venting system" instructions shall be included with the appliance or equipment installation instructions; and

2. The "special venting systems" shall be Product Approved by the Board, and the instructions for that system shall include a parts list and detailed installation instructions.

(e) A copy of all installation instructions for all Product Approved side wall horizontally vented gas fueled equipment, all venting instructions, all parts lists for venting instructions, and/or all venting design instructions shall remain with the appliance or equipment at the completion of the installation.

General Safety Information

1. The appliance installation must conform with local codes or, in the absence of local codes, with the current Canadian or National Gas Codes, CSA-B149.1 or ANSI Z223.1 Installation Codes.
2. See general construction and assembly instructions. The appliance and vent should be enclosed.
3. This appliance must be connected to the specified vent and termination cap to the outside of the building envelope. Never vent to another room or inside a building. Make sure that the vent is fitted as per Venting instructions.
4. Inspect the venting system annually for blockage and any signs of deterioration.
5. Venting terminals shall not be recessed into a wall or siding.
6. Any safety glass removed for servicing must be replaced prior to operating the appliance.
7. To prevent injury, do not allow anyone who is unfamiliar with the operation to use the fireplace.
8. Wear gloves and safety glasses for protection while doing required maintenance.
9. Be aware of electrical wiring locations in walls and ceilings when cutting holes for termination.
10. Under no circumstances should this appliance be modified. Parts that have to be removed for servicing should be replaced prior to operating this appliance.
11. Installation and any repairs to this appliance should be done by a qualified service person. A professional service person should be called to inspect this appliance annually. Make it a practice to have all of your gas appliances checked annually.
12. Do not slam shut or strike the glass door.
13. Under no circumstances should any solid fuels (wood, paper, cardboard, coal, etc.) be used in this appliance.
14. The appliance area must be kept clear and free of combustible materials, (gases and other flammable vapours and liquids).

Installation Checklist

IMPORTANT: It will need to be determined if this appliance will be installed as a Non Power Vent or Power Vent. The venting parameters and size of the venting differ, so it is important to know which version will be installed.

1. Locate appliance. Refer to the following sections:
 - a) Locating Your Fireplace
 - b) Clearances
 - c) Combustible Mantel Clearances
 - d) Framing & Finishing
 - e) Venting. See the "Venting Introduction" to "Venting Arrangements" sections.
2. Assemble Standoffs. Refer to the "Unit Assembly Prior to Installation" section. (NOTE: must be done before installing unit into fireplace.)
3. Install vent. See the "Horizontal Installations" to "Installation Procedures" sections.
4. Wire 120 volt AC power to the supplied receptacle box located on the lower right-hand side of appliance. The Duplex receptacle and cover are included in the manual package.

Non Power Vent Model: This heater does not require a 120 volt AC supply for burner operation, but is highly recommended as a primary power source to eliminate the need for 4 AA batteries. Batteries should be used as a secondary power source. 120 Volt AC power is also required for the lights.

Power Vent Model: This appliance will not operate if 120 volt power is lost within the home. This will also not operate with 4 AA batteries due to the power vent blower motor requiring 120 VAC power to operate. The 120VAC 3 prong plug supplied with this unit must be plugged into the supplied receptacle.
5. Install the junction box supplied with the appliance. Install the remote battery box inside the junction box. Hook the battery box to the wire marked "receiver" - this will enable burner operation. If 120 Volt AC power was brought to appliance, batteries are not required.
6. Make gas connections. Test the pilot. Must be as per diagram. Refer to the "Gas Line Installation" & "Pilot Adjustment" sections.
7. Install standard and optional features. Refer to the following sections where applicable:
 - a. Barrier Safety Glass
 - b. Firebox (inner) glass
 - c. Log Set
 - d. Fireglass
 - e. Ceramic stones or other approved media
 - f. Painted, enamel, or glass panels (panels required)

- g. Optional Framing Kit
- h. Heatwave Kit
- i. HeatWave Kit Adaptor

8. Plug 3 prong plug for the lights into the receptacle. The 3 prong plug will be located to the left of the gas valve on the appliance.

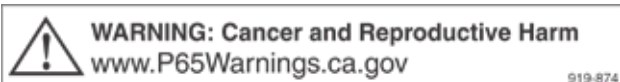
9. Final check.

Before leaving this unit with the customer, the installer must ensure that the appliance is firing correctly and operation fully explained to customer.

This includes:

1. Clocking the appliance to ensure the correct firing rate (rate noted on label 35,000 Btu/h NG/ 33,000 Btu/h LP) after burning appliance for 15 minutes.
2. If required, adjusting the primary air to ensure that the flame does not carbon. First allow the unit to burn for 15-20 min. to stabilize.

CAUTION: Any alteration to the product that causes sooting or carboning that results in damage is not the responsibility of the manufacturer.



919-874

installer's information

Locating Your Gas Fireplace

1. When selecting a location for your fireplace, ensure that the clearances are met.
2. The appliance must be installed on a flat, solid, continuous surface. For example, a wood, metal, or concrete floor, or in a raised (on the wall) application. The appliance must be installed on a metal or wood panel extending the width and depth of the appliance.
3. The CV50E direct vent gas fireplace can be installed in a recessed position or framed out into the room as in A, B, C, and D. See Diagram 1.

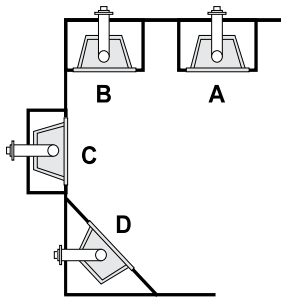


Diagram 1

- A) Flat on wall
 - B) Flat on wall corner
 - C) Recessed into wall/alcove
 - D) Corner
4. For bedroom installations, check with local codes before installation. This appliance is offered with a remote control.
 5. The CV50E direct vent gas fireplace is approved for alcove installations. See "Clearances" section for details.
 6. We recommend that you plan your installation on paper using exact measurements for clearances and floor protection, and have an authorized inspector, dealer, or installer review your plans before beginning.

Note: For vent terminations, refer to "Exterior Vent Termination Locations" section.

Unit Assembly Prior to Installation

Before you Start - Removing the Unit from the Pallet

Remove the screws securing the unit to the pallet

Due to the CV50E's size and weight (480 pounds shipping weight), lifting and moving the unit requires 4 people.

Place a length of 2 x 4 long enough to get a solid grip on each side under each handle.

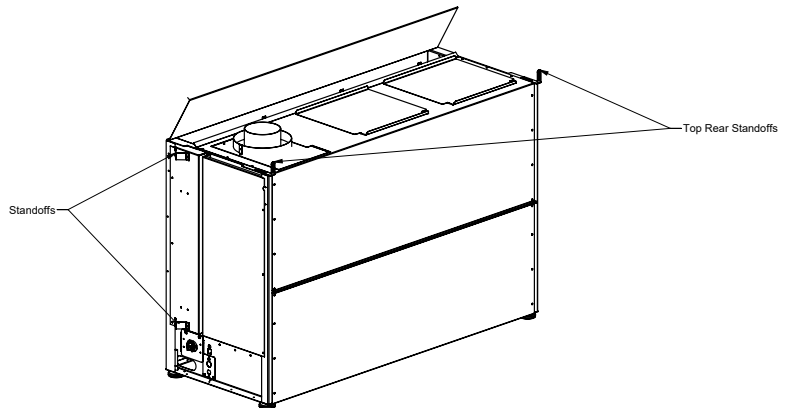
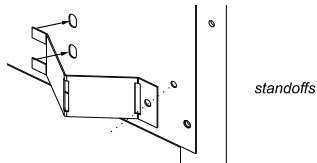
Lift and move the unit carefully.

Note: When the unit is in position, the handles can be detached by removing 6 screws from each. Ensure the screws are replaced in the holes they were removed from (6 per side). The handles are recyclable.



Side Standoff Assembly

The CV50E has 4 standoffs (2 on each side) that you must assemble before installation. The standoffs are shipped in a flat position. Fold the standoffs and install them by sliding the 2 tabs into the slots on the unit. Bend the tabs and secure the opposite end of each standoff with one screw.

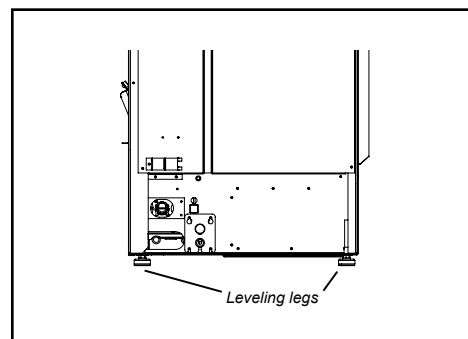


Rear Standoffs

The 2 top rear standoffs are designed so that screws can be used to secure the appliance to the rear wall if needed. Stud must be in place for this operation.

Leveling Legs

There are four levelling legs, two on each side, that can be adjusted with the tool found in the manual package.

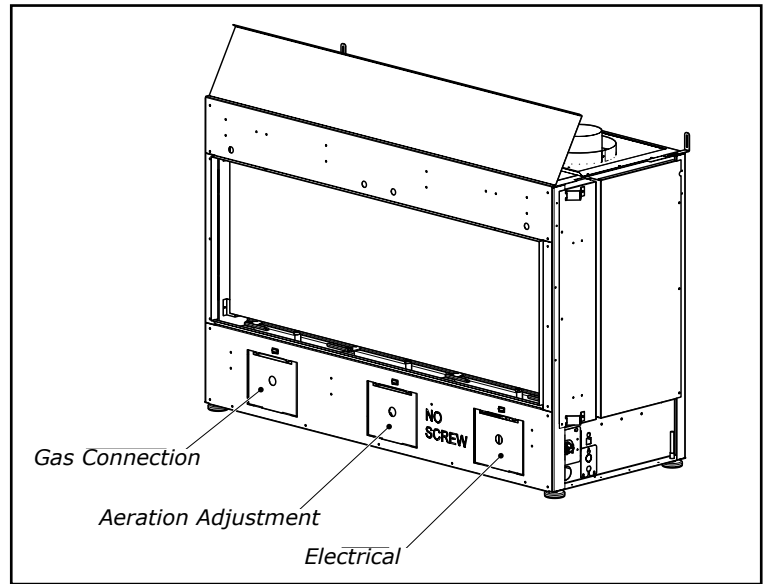


installation

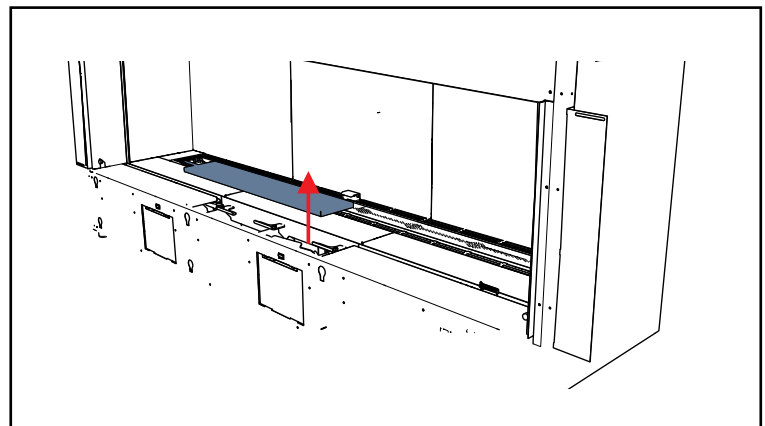
Access Panel Removal

The front access panels may be removed for ease of hooking up gas and electrical prior to finishing. Once complete ensure that the access panel is reinstalled prior to any finishing. See locations in diagram to the right.

Note: Once the finished material is installed, these access panels are no longer accessible.



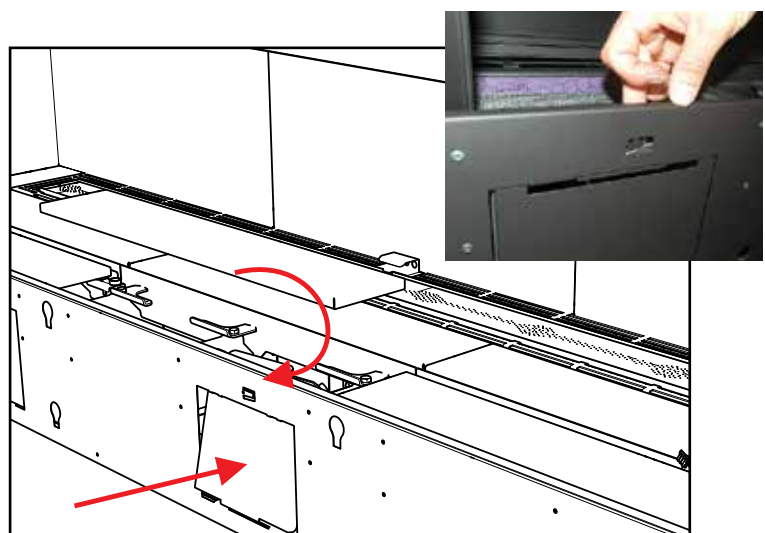
1. Identify access panel to be removed, remove corresponding outer trim panel by lifting up and off (centre panel shown below).



2. From inside the unit—push in tab to release the access panel at the top.

3. Push the access towards the inside of the unit, lift up from the bottom to release bottom tabs, when clear, lift out of unit.

4. Reverse steps to reinstall access panel.



Ventilation Openings

Regency's patented Cool Wall system releases warmth at ceiling level. This system reduces excessive radiant heat in front of the fireplace so you can enjoy your fireplace more often.

- Design your own chase vent solution to suit your home
- Use optional front or left & right side chase vent grills
- Release warmth into the room discreetly

Ventilation Opening Locations

The following are examples of how the ventilation openings may be placed above the fireplace.

The air travelling through the heat exchanger is heated by the fireplace and then directed out the back of the fireplace. The combined warmed air is then vented back into the room.

If using the optional heat wave kit, this does not reduce the size of the ventilation opening. The ventilation opening(s) must be a minimum 152 square inches regardless.



Front Exit

The ventilation opening may be placed in front ensuring it meets the 152 square inch opening & is located 0-2" (51mm) from the enclosure ceiling.



Side Exit (Left/Right)

Ventilation openings, when placed on both sides, must be of the same size. They must have an equal split (50/50) free air opening to balance air flow. A ventilation opening may never be on one side only.

The ventilation openings cannot be any smaller than 6" (152mm) wide to equal the total area of 152 square inches of free open area.

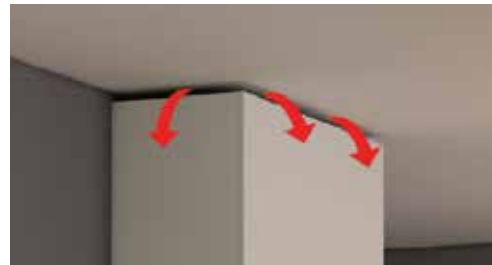
Example: 6" (152mm) wide x 15" (381mm) High = 90 square inches per side of free open area. A second ventilation grill is installed on the other side to =100%.

The ventilation openings must be located 0-2" (51mm) from the enclosure ceiling.



Top Exit

The ventilation opening may be short of the ceiling as shown below. Minimum opening height must be 1-3/4" (44mm) measured from top of enclosure to the ceiling and must be open in front and both sides to meet the minimum 152 square inches free open air requirement.



The ventilation opening may be fully open at the top of the enclosure. This type of ventilation opening would be used when the top of the enclosure is not visible from above and where the ceiling within the room is higher than normal. When creating this type of ventilation opening, measures should be in place to avoid having objects of any type falling or be thrown into the ventilation opening. Mesh screen or other preventative measures should be put in place.



The ventilation opening may be placed on top ensuring it meets the 152 square inch opening. This type of ventilation opening would be used when the top of the enclosure is visible from above and where the ceiling within the room is higher than normal.



installation

Chase Enclosure

When choosing to install the ventilation openings from the front or both sides, The top of the ventilation opening cannot be any lower than 0-2" (51mm) from the top of the chase enclosure for all installations.

Minimum height of enclosure from base of appliance is 62-7/8" (1597 mm).

A minimum 152in² opening in the enclosure is required to maintain safe operating temperatures. This can be achieved in a number of ways including the examples shown in this manual.

IMPORTANT:

Exterior wall/Alcove enclosure: When installing into an exterior cavity or alcove enclosure (ceiling, back and sides), regardless of where appliance is placed within the home, requires the use of either drywall or other means such as plywood, wood studs, etc. to prevent heat from escaping anywhere above /through the enclosure other than the required grill / ventilation opening.

Internal chase: When installing as an internal chase framing installation ,regardless of where appliance is placed within the home, requires the use of either drywall or other means such as plywood, on the rear wall of the chase to eliminate heat escaping into the rear wall cavity. If the chase is extended to the ceiling ,the ceiling will also need to be finished in a manner to prevent heat escaping into floor joist/attic space.

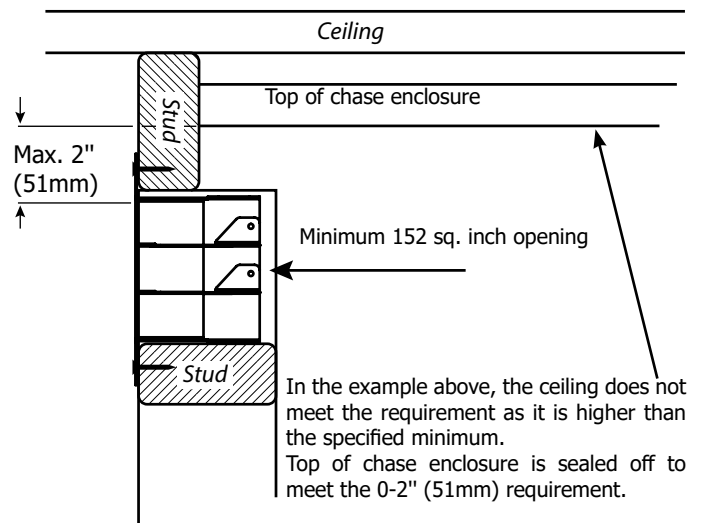
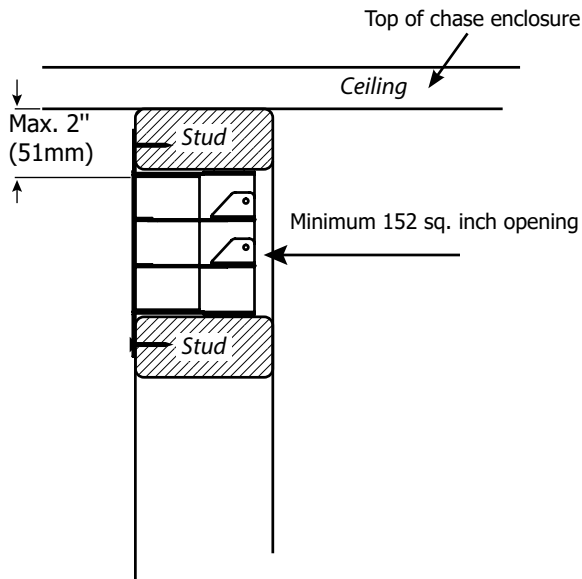
One of the following methods must be used to prevent the heat from escaping.

- If choosing drywall, ensure that the drywall is butt up tight with no gaps.
- Plywood, wood studs, etc. installed tightly with no gaps.

As this appliance has been designed with all hot air escaping through the chase enclosure ventilation/grill openings only, if hot air is trapped as a result of the hot air escaping through joints, crevasses, open studs, or other openings within the enclosure above, this will change the clearances within the enclosure causing the enclosure to overheat. It is vital that all the hot air from within the enclosure exits through the ventilation openings only.

Ensure that the ventilation openings are made as such to prevent debris, objects from falling into the enclosure.

Warning: DO NOT cover or place objects in front of the ventilation opening air outlet(s).



Clearances

Note: The clearances listed below are minimum distances unless otherwise stated.

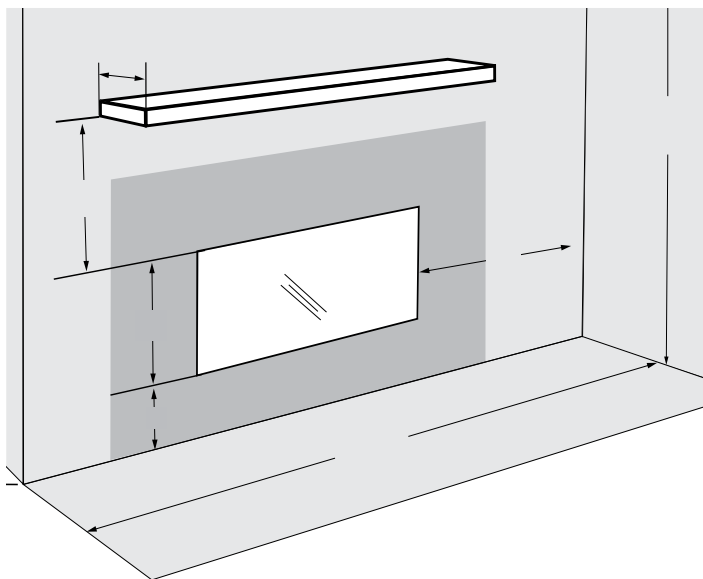
A major cause of chimney-related fires is failure to maintain required clearances (air space) to combustible materials. It is of the greatest importance that this fireplace and vent system be installed only in accordance with these instructions.

Clearance	Dimension	Measured From:
A1: Mantel Height (min.)	**	Top of Fireplace Opening
A: From Floor (min.)	10-3/16" (462 mm)	Bottom of fireplace opening
B: Sidewall (on one side) min.	5" (127 mm)	Side of fireplace opening
B1: Sidewall (on one side) min.	24" (610 mm)	Side air outlet to side wall (min.)
C: Enclosure Width (min.)	54-3/8" (1381 mm)	Side of fireplace opening
D: Mantel Depth (max.)	**	
E: Alcove Width	92" (2337 mm)	Sidewall to sidewall (minimum)
F: Alcove Depth	35" (889 mm)	Front to unit (maximum)
G: Convection Air Outlet Opening Offset (min.)	*0-2" (0-51 mm)	Max. offset from top of chase enclosure
H: Convection Air Outlet	*152 in ² (981 cm ²)	
I: Framing Depth (min.)	20-7/16" (519 mm)	From back wall to chase front
J: Opening Height	18" (457 mm)	Bottom/top of fireplace opening
K: minimum clearance to ceiling	1-3/4" (44 mm)	Top of chase to ceiling
L: Chase Enclosure (min.)	62-7/8" (1597 mm)	From base of unit/floor to top of enclosure
M: Clearance to Sprinkler Head (min.)	36" (914mm)	Perpendicular from chase grill
Ceiling Height	81-1/4" (2064 mm)	From base of unit/floor to top of alcove
Hearth	0"	No hearth required
** See mantel clearances chart in the manual.		

Flue Clearances to Combustibles	
Horizontal - Top	3" (76 mm)
Horizontal - Side	2" (51 mm)
Horizontal - Bottom	2" (51 mm)
Vertical	2" (51 mm)
Passing through wall/floor/ceiling - when firestop is used.	1-1/2" (38 mm)
Note: This appliance uses 5" x 8" (127 mm x 203 mm) venting for the Non Power Vent.	

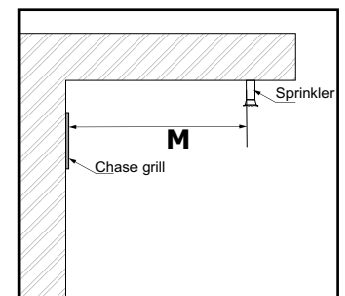
When installed as a power vent, the venting must be reduced to 4" inner x 6-5/8" outer (102 mm x 168 mm) in all applications. See required reducers required in this manual if using rigid/flex pipe.

***A minimum of 152 square inches of open area, not lower than 0-2" from top of enclosure, required for all installations.**

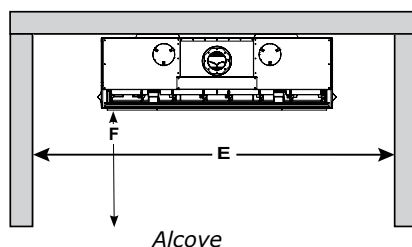


Caution Requirements
The top, back and sides of the fireplace are defined by standoffs. The metal ends of the standoff may **NOT** be recessed into combustible construction.

WARNING
Fire hazard is an extreme risk if these clearances (air space) to combustible materials are not adhered to. It is of greatest importance that this fireplace and vent system be installed only in accordance with these instructions.



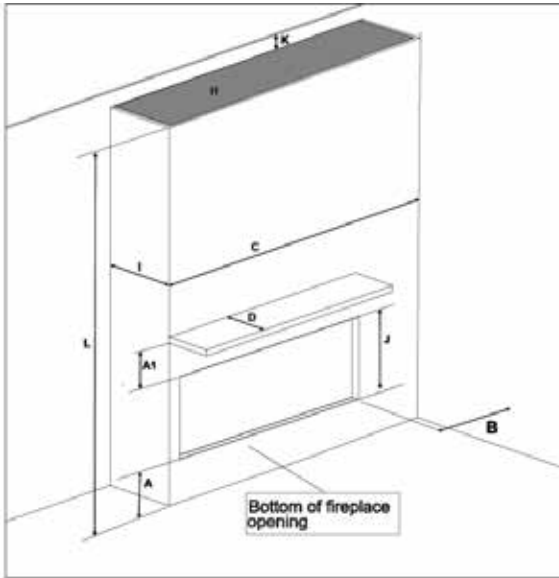
Side view



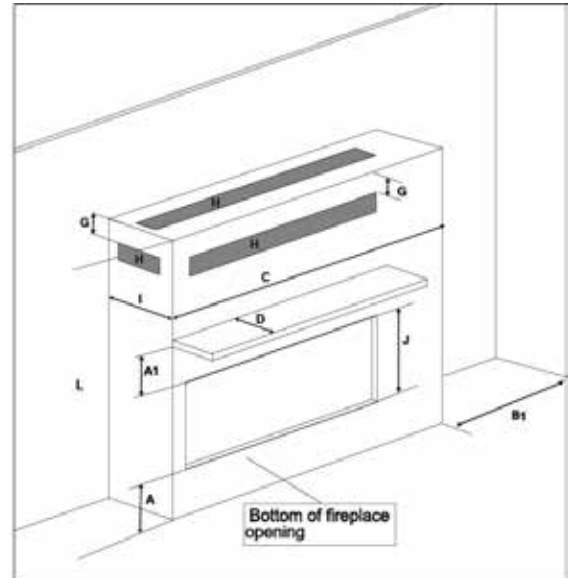
Alcove

installation

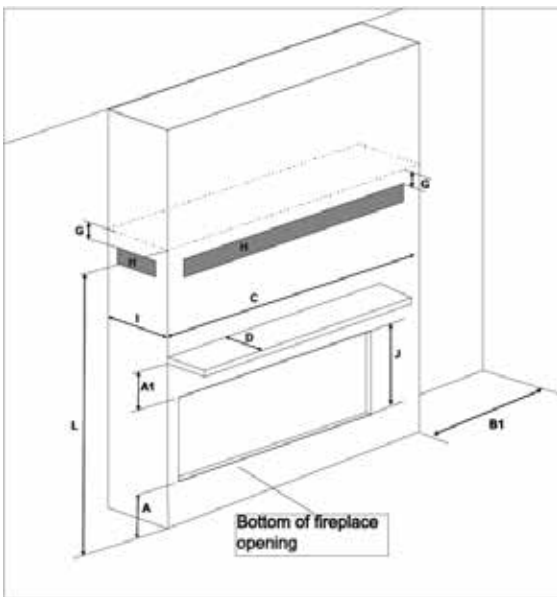
Clearances



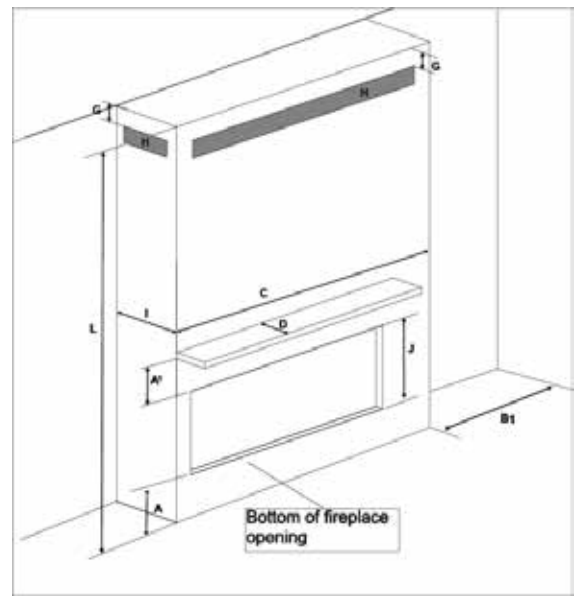
Floor to ceiling with top opening.



Full framing with vents in front, 2 sides, or top.



Full framing with low vents in front or 2 sides.

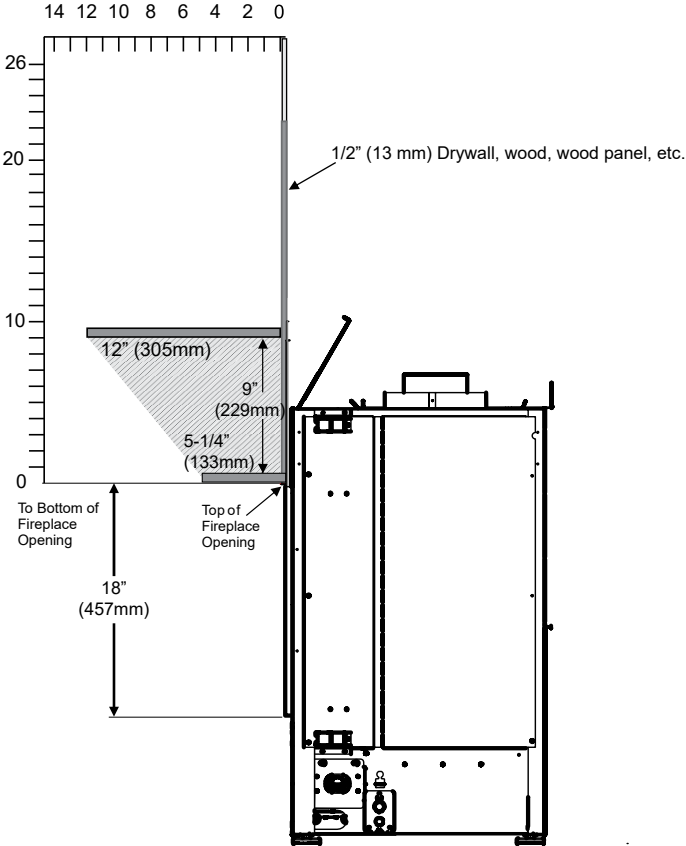


Full framing with vents in front or 2 sides.

The ventilation opening may only be placed above, on both sides and in front as shown above. Ventilation grills can never be placed behind the appliance.

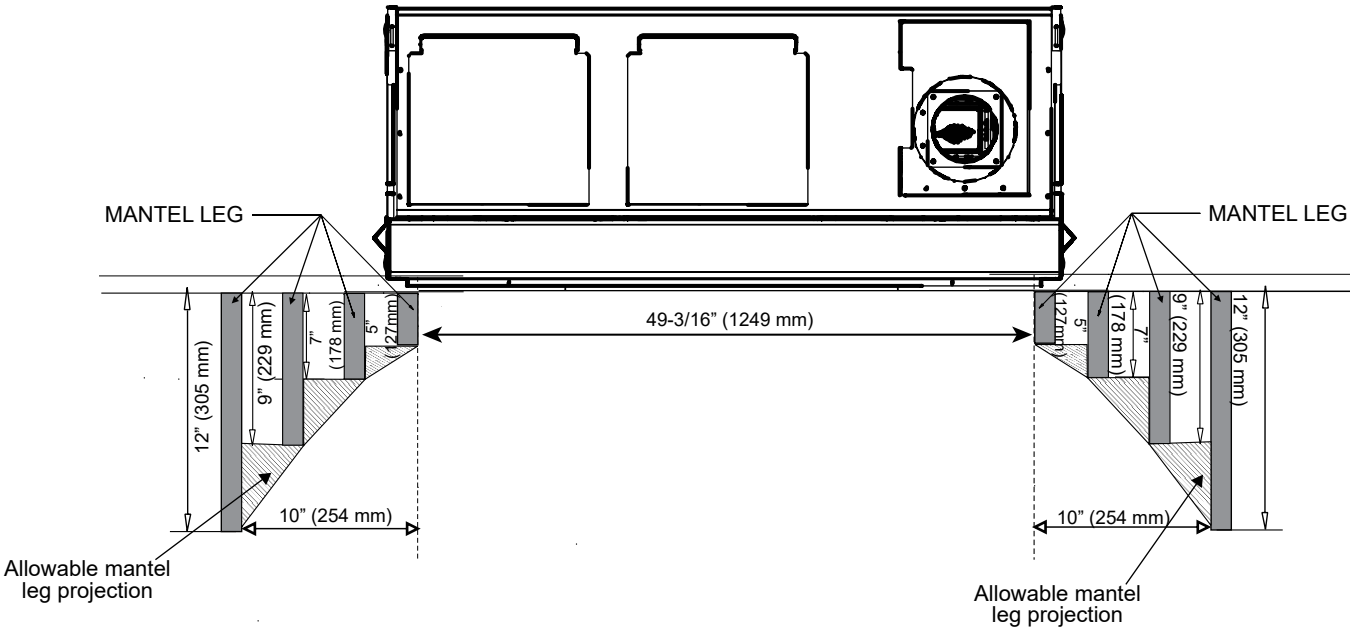
Mantel Clearances

Combustible mantel clearances from top of front facing are shown in the diagram below.



Mantel Leg Clearances

Combustible mantel leg clearances as per diagram:



installation

Framing Dimensions

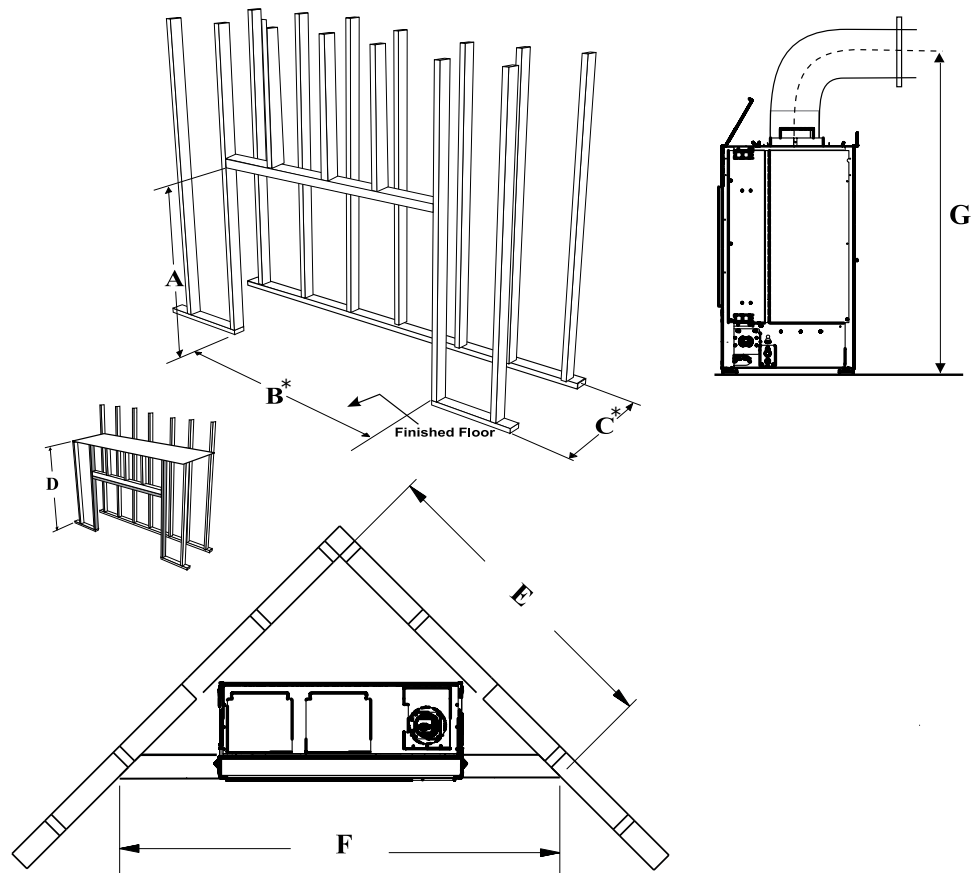
NOTE: Framing may be constructed of combustible material (i.e. 2 x 4/2 x 6) and does not require steel studs.

Framing Dimensions	Description	CV50E
A	Framing Height	2 x 4 : 44-3/4" (1137 mm) 2 x 6 : 51-7/8" (1318 mm)
B*	Framing Width	54-3/8" (1381 mm)
C*	Framing Depth	20-7/16" (519 mm)
D	Minimum Height to Combustibles	62-7/8" (1597 mm)
E	Corner Wall Depth	66" (1676 mm)
F	Corner Facing Wall Depth	93-3/8" (2372 mm)
G	Vent Centerline Height	45-3/4" (1162 mm)

** See manual for alternate Gas/ Electrical connection options

The lift handles add approximately 4 inches to the width of the appliance. If the appliance will be lifted off the ground and slid into the framed opening, we suggest changing the framing width from 54-3/8" (1381 mm) to 58-3/8" (1483 mm) to allow the appliance to slide into position with the handles on, or creating a platform in front of the framed opening where the lift handles can be removed prior to installation. If the framing is raised off the ground you can install it after the appliance is in place with handles removed to maintain the framing width of 54-3/8" (1381 mm). Ensure that the wood base for the appliance is strong enough to support its shipping weight of 480 pounds.

Note: A combined minimum of 152 square inches of open area is required for the convection air outlet to cool the enclosure. Ensure clearances for convection air outlets are met. See clearances in this manual for different ways to achieve this.



Note: This appliance must be installed on a solid surface such as a plywood floor which must be the full width and depth of the appliance.

* The framing depth/width does not take into account drywall/wood or similar materials against the back /side wall. The framing depth will need to change based on the thickness of the material.

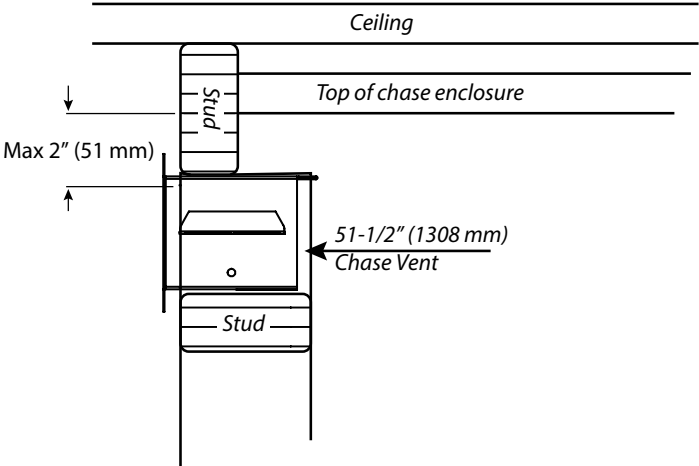
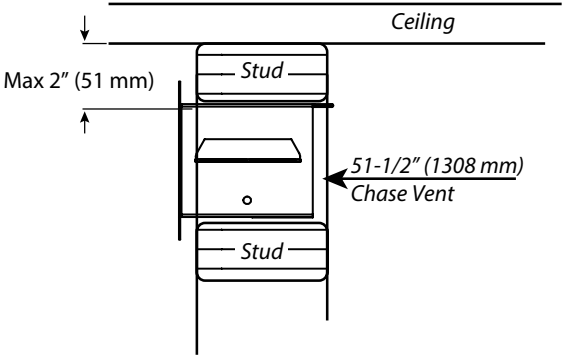
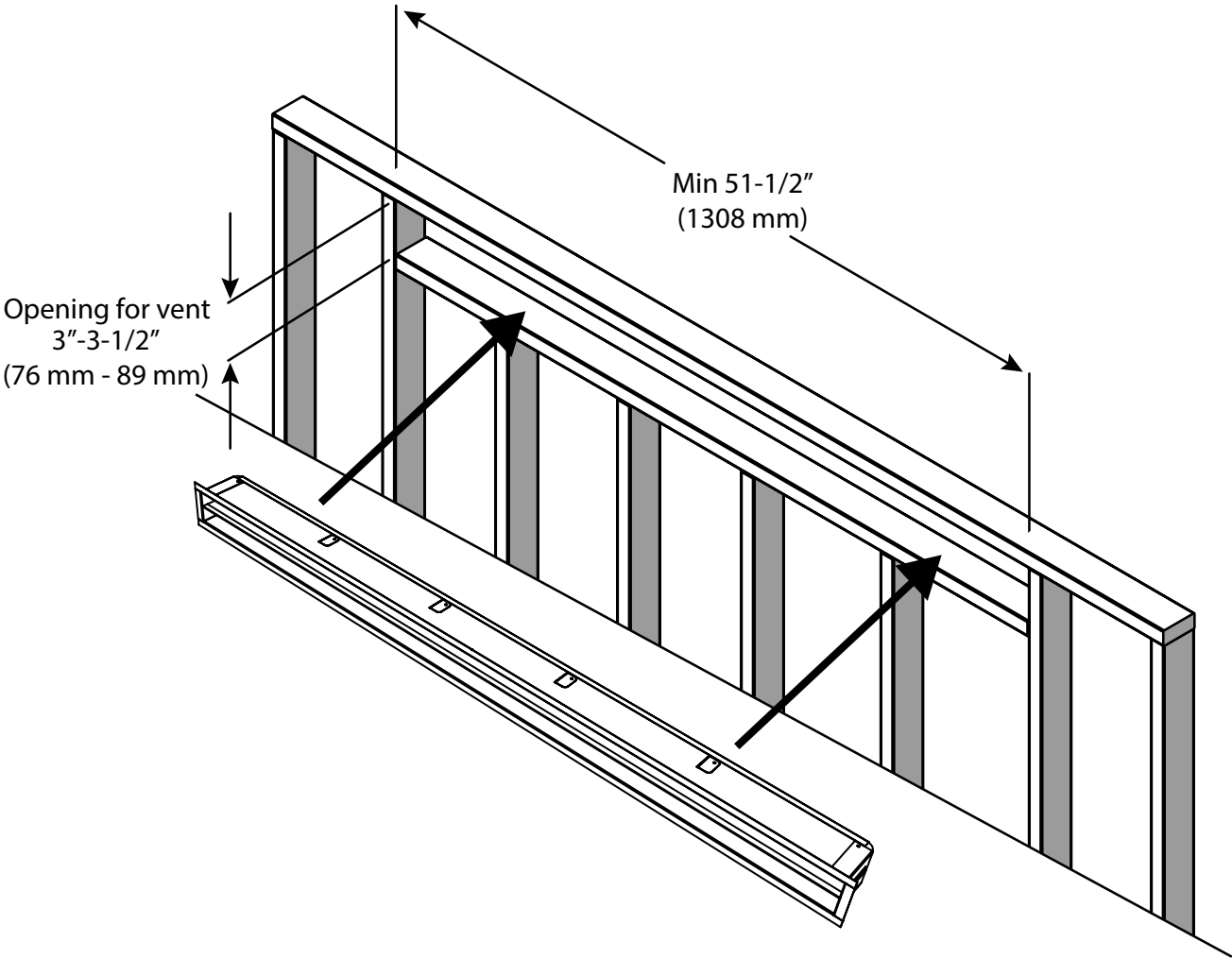
Example: B - 54-3/8" framing width + 1/2" drywall per side = 55-3/8")

Example: C - 20-7/16" framing depth + 1/2" drywall = 20-15/16")

Chase Vent Installation Part #482-991 (White)

In this application, both the flange and screws to secure the chase vent are exposed as this chase vent is designed to be installed after the finished facing has been placed on the wall.

Framing Opening must be between 3" (76 mm) and 3-1/2" (89 mm) tall, and at least 51-1/2" (1308 mm) wide to accommodate the Chase vent. The top of the chase vent opening must be 2" (51 mm) or less from the top of the chase enclosure.



installation

Wall Board/Drywall Installation

WARNING! Risk of Fire! Comply with all minimum clearances to combustibles as specified.

Finishing Instructions

It is important to follow the framing and finishing instructions to ensure proper placement of fireplace into the surrounding framing/finishing materials. Wall board materials 1/2 in. thick are specified in this installation manual to properly align with the optional finishing methods offered with this appliance. The CV50E may be finished to the appliance opening with 1/2 inch thick drywall.

Ensure that the back and side clearances are maintained.

WARNING! Risk of Fire! Maintain specified air space clearances to combustibles. Inadequate air space could cause overheating and fire.

DO NOT use screws more than 1/2 inch in length on the lower access cover panel. Longer screws may penetrate gas line or damage valve or electrical components.

Note: It is acceptable to use a high temperature silicone sealant to adhere drywall to lower access cover panel.

The appliance is designed to be used with a minimum 1/2 in. wall sheathing materials such as drywall, plywood, wood composites, or non-combustible materials. Thicker materials may be used. Refer to facing and finishing details in this manual.

Facing Material

- Facing and/or finishing materials must never overhang into the glass opening. See finishing details in this manual.
- Facing materials may be combustible or non-combustible

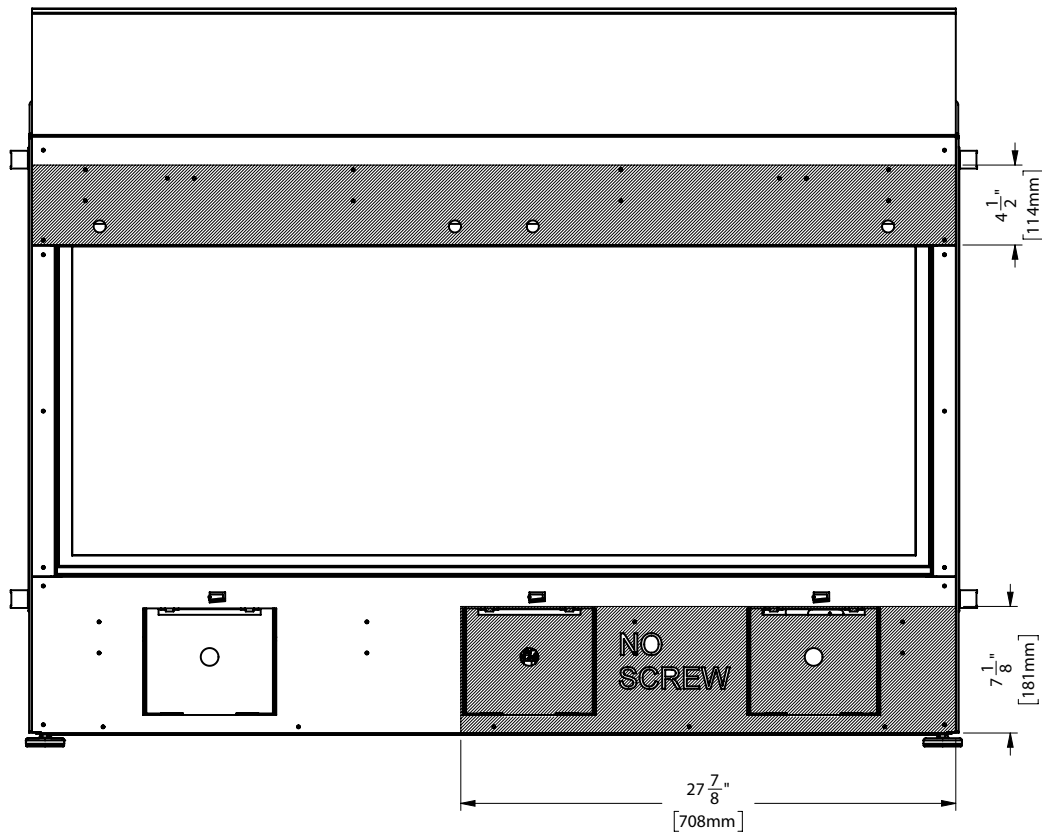
WARNING! Risk of Fire! DO NOT apply combustible materials beyond the minimum clearances. Comply with all minimum clearances to combustibles as specified in this manual. Overlapping materials could ignite and will interfere with proper operation.

PAINTING

If desired finishing includes a painted wall, 100% acrylic latex, oil-based or standard acrylic paints may be used. Follow paint manufacturer's instructions for paint and primer application.

No Screw Zones

No screw zones (in shaded areas) as shown below must be adhered to.



Framing and Finishing Inset Installations

1. Frame in the enclosure for the unit with framing material

Note: When constructing the framed opening ensure there is access to install the gas lines, electrical. Also the wiring harness must be wall mounted using the receptacle provided with the appliance. The wiring harness will be located on the right hand side of the appliance if facing the unit from the front. This must be done prior to any finishing.

2. For exterior walls, insulate the enclosure to the same degree as the rest of the house, apply vapour barrier and drywall, as per local installation codes. (Do not insulate the fireplace itself.)

WARNING: Failure to insulate and add vapor barriers to the inside of the exterior wall will result in operational and performance problems including, but not limited to: excessive condensation on glass doors, poor flame package, carbon, blue flames etc. These are not product related issues.

3. IMPORTANT:

Exterior wall/ Alcove enclosure: When installing into an exterior cavity or alcove enclosure (ceiling, back and sides), regardless of where appliance is placed within the home, requires the use of either drywall or other means such as plywood, wood studs, etc. to prevent heat from escaping anywhere above /through the enclosure other than the required grill/ventilation openings.

Internal chase: When installing as an internal chase framing installation, regardless of where appliance is placed within the home, requires the use of either drywall or other means such as plywood, on the rear wall of the chase to eliminate heat escaping into the rear wall cavity. If the chase is extended to the ceiling, the ceiling will also need to be finished in a manner to prevent heat escaping into floor joist/attic space.

One of the following methods must be used to prevent the heat from escaping :

- a. If choosing drywall, ensure that the drywall is butt up tight with no gaps.
- b. Plywood, wood studs, etc. installed tightly with no gaps.

As this appliance has been designed with all hot air escaping through the chase enclosure ventilation / grill openings only, if hot air is trapped as a result of the hot air escaping through joints, crevasses, open studs, or other openings within the enclosure above, this will change the clearances within the enclosure causing the enclosure to overheat. It is vital that all the hot air from within the enclosure exits through the ventilation openings only. Ensure that the ventilation openings are made as such to prevent debris, objects from falling into the enclosure.

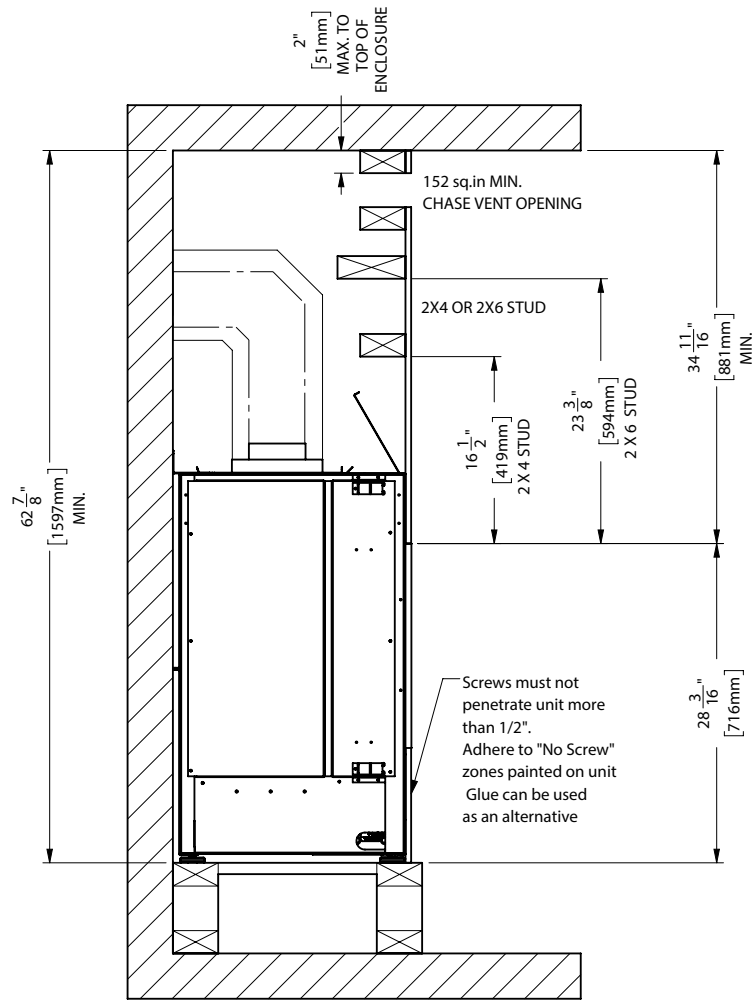
4. Combustible material (drywall, wood, wood panels, etc.) may be brought up to the appliance (top, bottom and sides)
5. Ensure that the material being used does not encroach anywhere in the area of the glass. This would cause dangerous operating conditions.
6. This appliance comes with a 1/2" lip at top and bottom to hide the ends of the drywall. The 1/2" side and bottom lip supplied with the appliance can alternatively be removed (see Diagram 1) and replaced with J Style Trim or Metal Corner Bead purchased at your local hardware store to cover cut/exposed edges of the combustible facing material or any other finishing materials being used. 6 screws secure the bottom lip — see Diagram 1. These will be hidden so the outer panels will need to be removed to access the screws. See outer panel removal in this manual.
7. This appliance can also be recessed (using combustible materials) with a hearth in front of the appliance. This can also extend to the top. See manual for details.

Note : Combustible material may extend a minimum of 1/2" and to a maximum of 5-1/4" (133 mm) from the front top (with larger glass). See mantle clearance chart for details. The base and side (with smaller glass) have no limit regarding how far the combustible material may extend from the appliance. Ensure that no material encroaches anywhere in the area of the glass as it is defined by the finishing lip surrounding the appliance.

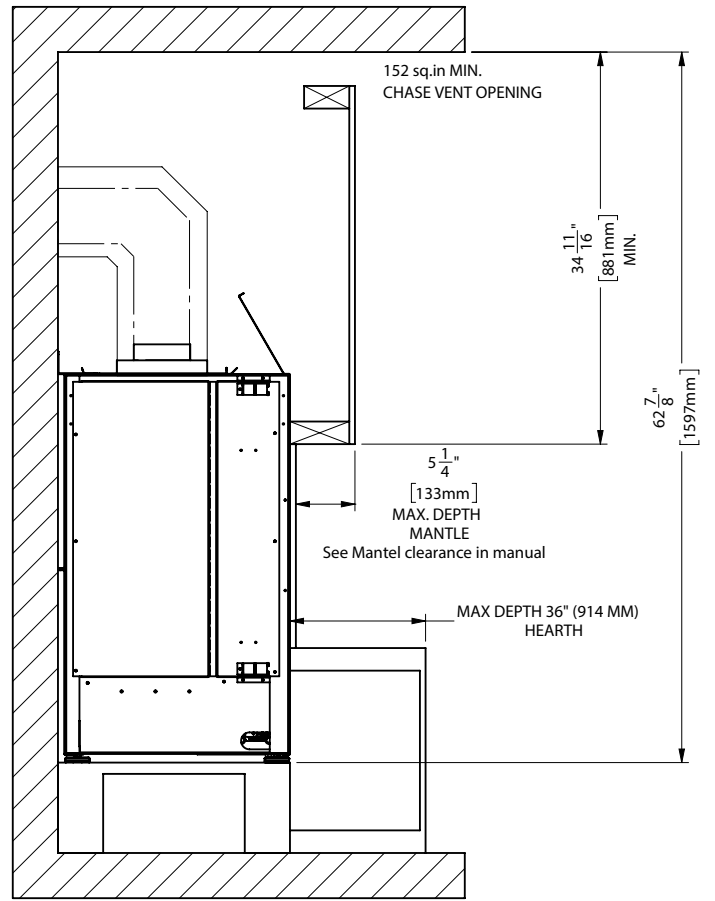
installation

Typical Installations

Flush Install



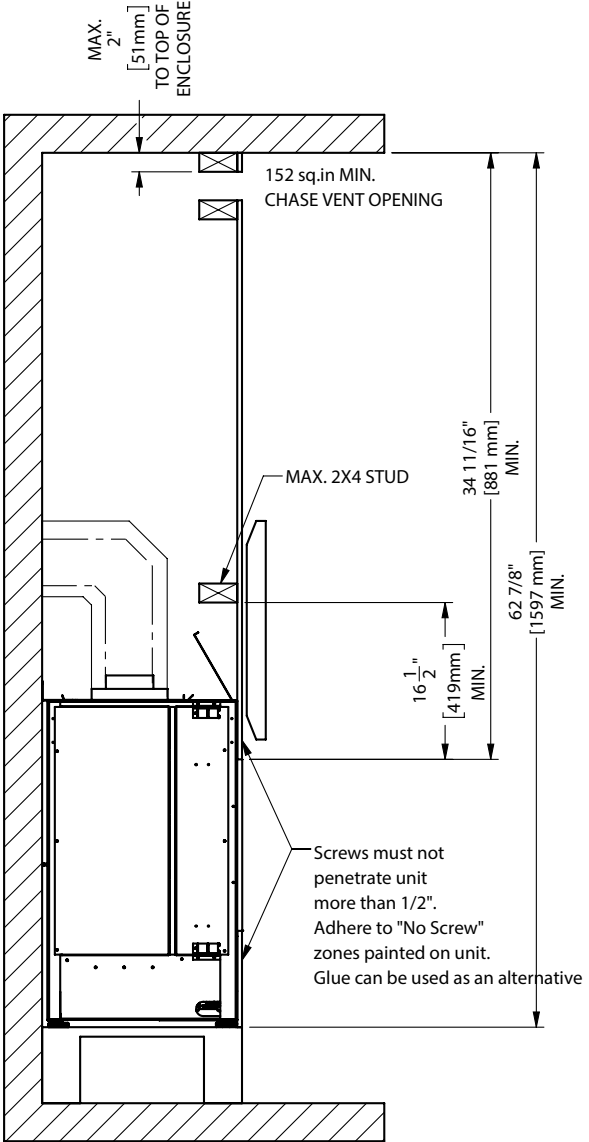
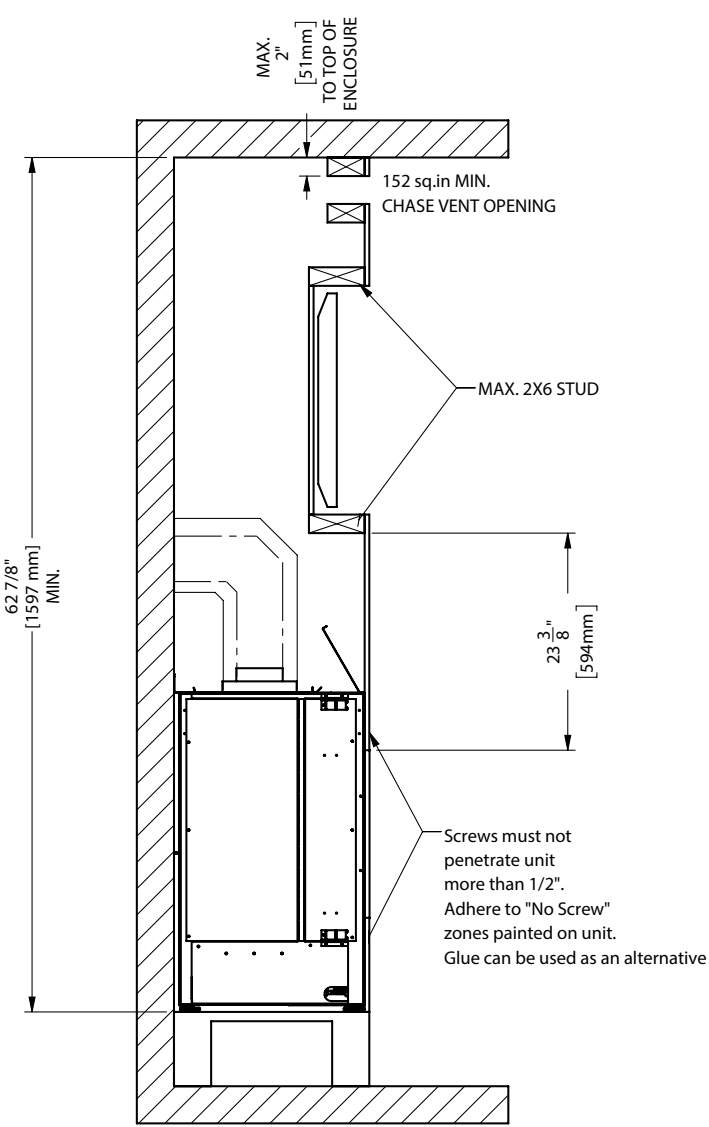
Recessed Install



Typical Installations

Maximum TV Recess

Flush TV with Hearth

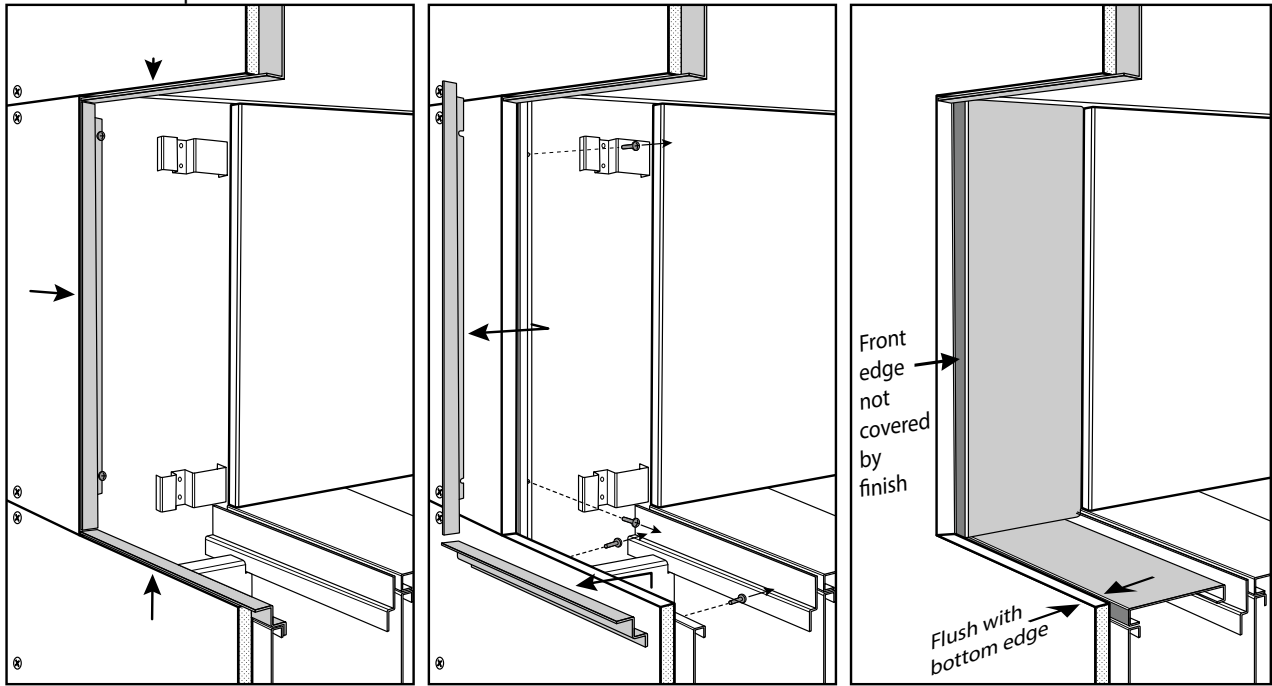


Note: The TV mounting bracket cannot be secured directly to the appliance. It must be secured to framing. The TV depicted in the picture may need to be higher depending on the style of TV mounting bracket used.

installation

Finishing

Flush Install Example

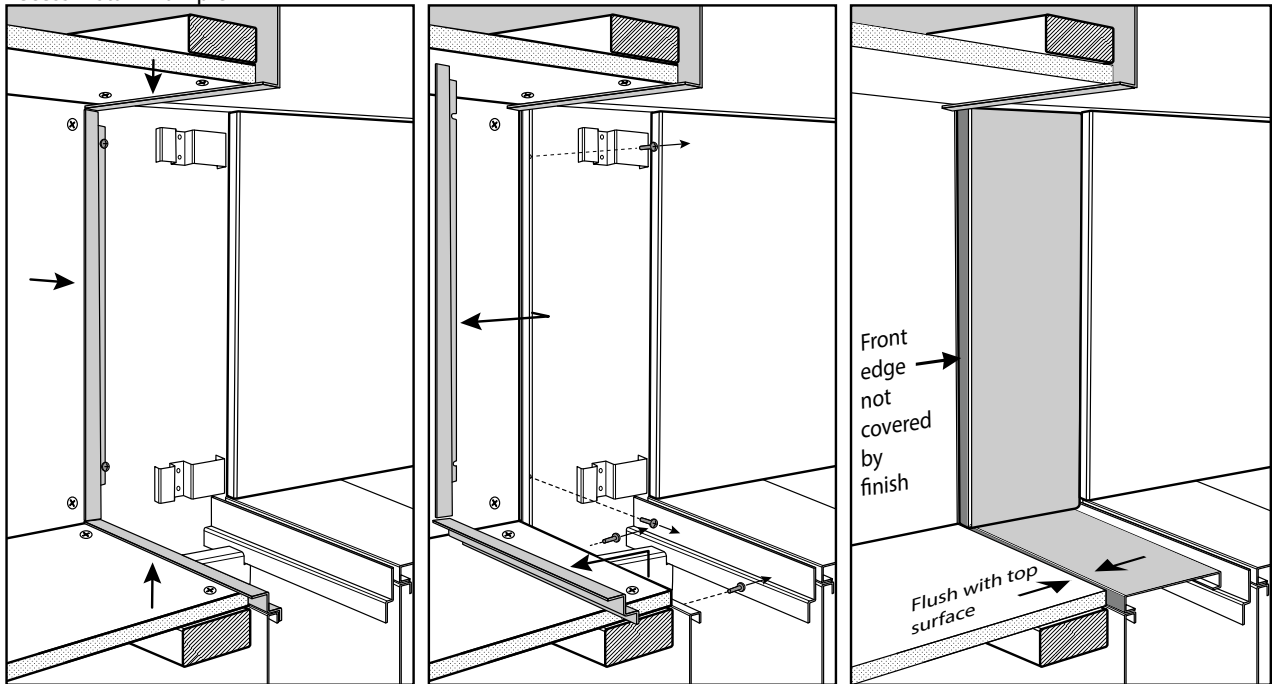


- Finish up to trim on all 4 sides

- Loosen screws using supplied Offset Screwdriver and remove bottom and side trim pieces

- Front edge of side liner panels must not be covered by finishing material or removal of the Firebox Glass will not be possible
- Bottom edge should be flush with top surface of Inner Liner Panel

Recess Install Example



Wall Mount On / Off Switch and Battery Holder Installation

Required for all installations

IMPORTANT INSTALLATION NOTE:

The battery holder must be placed inside the supplied (low voltage) junction type wall box and installed into the wall only.

**DO NOT INSTALL WITHIN THE CONFINES OF THE FIREPLACE
SWITCH MUST BE ACCESSIBLE**

Battery Holder Installation

1. Install the low voltage junction box to the framing, at desired location within 11-1/2 ft. from fireplace.
2. Feed the 6 pin connector wiring harness through the opening at back of junction box. The wiring harness is located on the right hand side and must be installed prior to finishing.
3. Connect the 6 pin connector to the back of the Battery Holder.
4. Install the Battery Holder in the Low Voltage Junction box.
5. Insert the 4 AA type batteries (optional) in the battery compartment with the correct polarity.
Note: Batteries are only required for non power vent model. Batteries are only a secondary power source if 120 VAC power is lost. Batteries should only be placed inside the compartment if there is no 120 VAC supplied to the appliance or 120VAC power has been lost within home.
6. Place the slider into the cover plate.
7. Put the Battery Holder switch in the "OFF" position, to allow correct lineup for slider switch.
8. Make sure the Battery Holder and cover plate words "ON" and "UP" are on the same side.
9. Align the slider with the switch on the Battery Holder and couple the switch into the slider.
10. Align the screw holes.
11. Using the two (2) screws provided secure the cover plate to the Battery Holder.
12. For coding instructions, see full details in this manual.

Proflame Battery Holder

Item	Part No.	Description
1	N/A	Slider Switch (included with wall plate)
2	911-335	Wall Plate - White
	911-343	Wall Plate - Black
3	911-337/P	Battery Holder
4	N/A	J-Box
5	910-369	Low Voltage Junction Box
6	911-181	Battery Holder Wire Harness

installation

Proflame Wall Mount Transmitter

WALL MOUNTING

The Proflame remote control/transmitter is supplied with an adapter for wall mounting. Install the controller 59" (1.5m) above the floor level, well away from heat sources, kitchens, doors or windows.

Metalllic structures or radio interferences can reduce the operative distance of the device.

Make sure to attach the adapter in a level plane without any distortion. Proceed as follows:

- Detach the adapter from the body of the remote control (see Fig. A).
- Position the adapter on the wall, mark the points for the fixing holes and drill the wall.
- Fix the adapter on the wall using the mounting hardware supplied with the remote control.
- Insert the remote control onto the adapter as shown in Fig. B.



Fig. A: Detach the adapter from the body

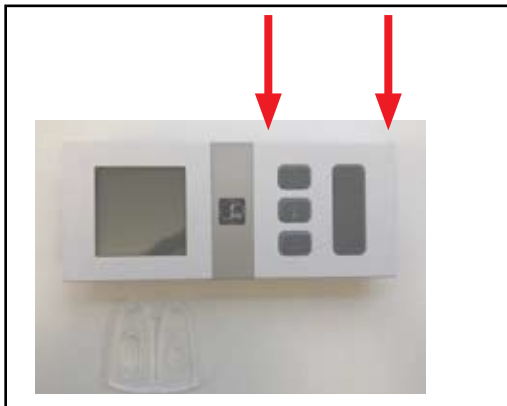
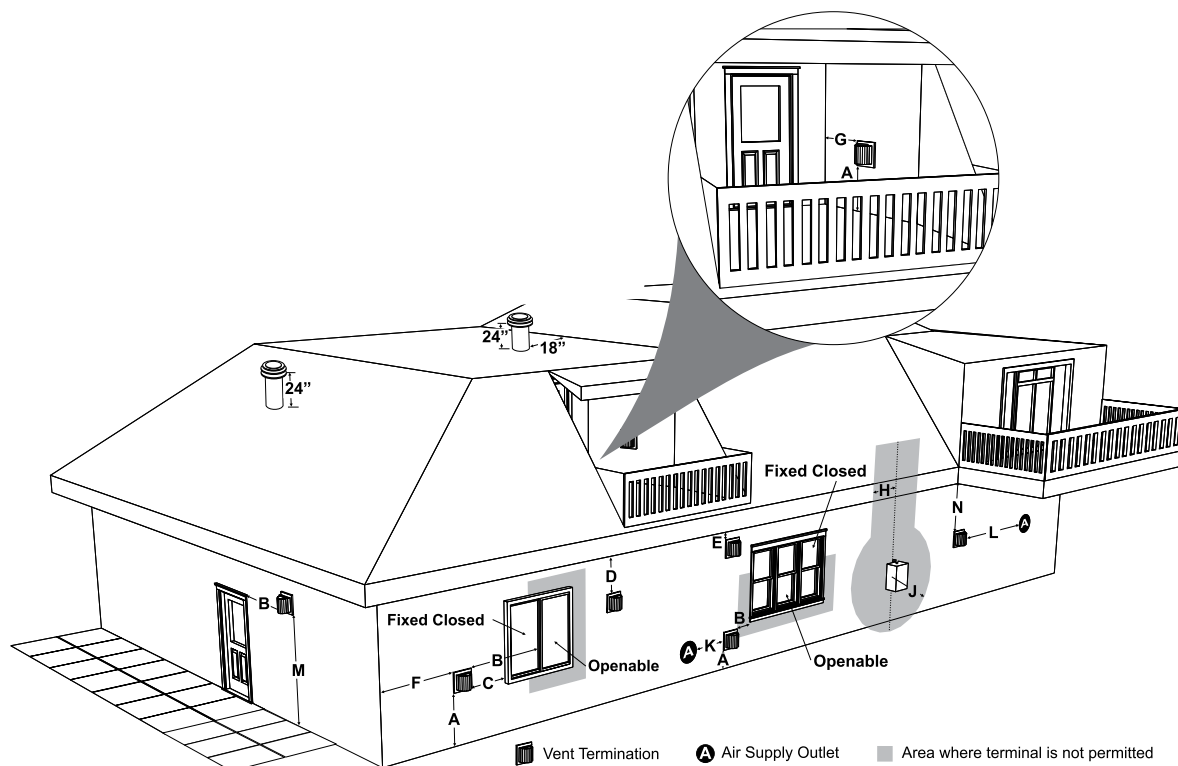


Fig. B: Adapter and remote control

Exterior Vent Termination Locations (Non Power Vent)



	Minimum Clearance Requirements	Canada¹	USA²
A	Clearance above grade, veranda, porch, deck, or balcony	12"(30cm)	12"(30cm)
B	Clearance to window or door that may be opened	12"(30cm)	9" (23cm)
C	Clearance to permanently closed window	*	*
D	Vertical clearance to ventilated soffit located above the terminal within a horizontal distance of 2 feet (61cm) from the center line of the terminal (check with the local code)	29"(74cm)	29"(74cm)
E	Clearance to unventilated soffit	29"(74cm)	29"(74cm))
F	Clearance to outside corner: with AstroCap Termination Cap.	7"(18cm)	7"(18cm)
	Clearance to outside corner: with all other approved Termination Caps.	14"(36cm)	14"(36cm)
G	Clearance to inside corner: with AstroCap Termination Cap	7"(18cm)	7"(18cm)
	Clearance to inside corner: with all other approved Termination Caps.	13"(33cm)	13"(33cm)
H	Clearance to each side of center line extended above meter/regulator assembly	36"(90cm) ^a	*
J	Clearance to service regulator vent outlet	36"(90cm)	*
K	Clearance to non-mechanical air supply inlet to building or the combustion air inlet to any other appliance	12"(30cm)	9" (23cm)
L	Clearance to a mechanical air supply inlet #3' (91cm) above if within 10' (3m) horizontally.	72"(1.8m)	36"(90cm) ^b
M	Clearance above paved sidewalk or a paved driveway located on public property	84"(2.1m) [†]	*
N	Clearance under veranda, porch, deck, or balcony	12"(30cm) [‡]	*

¹ In accordance with current CSA B149.1, Natural Gas and Propane Installation Code
² In accordance with the current ANSI Z223.1/NFPA 54, National Fuel Gas Code
[†] A vent shall not terminate directly above a sidewalk or paved driveway which is located between two single family dwellings and serves both dwellings
[‡] Permitted only if veranda, porch, deck, or balcony is fully open on a minimum of two sides beneath the floor
* Clearance in accordance with local installation codes and the requirements of the gas supplier
^a 3 feet (91cm) within a height of 15 feet (4.5m) above the meter / regulator assembly
^b 3 feet (91cm) above - if within 10 feet (3m) horizontally

installation

5" x 8" Rigid Pipe Cross Reference Chart (Non Power Vent)

Components from different Manufacturers may not be mixed. Not All Rigid Pipe components are available directly from FPI.

Description	Simpson Direct Vent Pro®	*Selkirk Direct Temp™	*Metal-Fab™ Sure Seal	*ICC Excel Direct	*Olympia Ventis DV
6" Pipe Length-Galvanized	58DVA-06	5DT-6	5D6	TC-5DL6	VDV-0506
6" Pipe Length-Black	58DVA-06B	5DT-6B	5D6B	TC-5DL6B	VDVB-0506
9" Pipe Length-Galvanized	58DVA-09	5DT-9	N/A	TC-5DL9	VDV-0509
9" Pipe Length-Black	58DVA-09B	5DT-9B	N/A	TC-5DL9B	VDVB-0509
12" Pipe Length-Galvanized	58DVA-12	5DT-12	5D12	TC-5DL1	VDV-0512
12" Pipe Length-Black	58DVA-12B	5DT-12B	5D12B	TC-5DL1B	VDVB-0512
18" Pipe Length-Galvanized	58DVA-18	5DT-18	5D18	TC-5DL18	VDV-0518
18" Pipe Length-Black	58DVA-18B *	5DT-18B	5D18B	TC-5DL18B	VDVB-0518
24" Pipe Length-Galvanized	58DVA-24	5DT-24	5D24	TC-5DL2	VDV-0524
24" Pipe Length-Black	58DVA-24B	5DT-24B	5D24B	TC-4DL2B	VDVB-0524
36" Pipe Length-Galvanized	58DVA-36	5DT-36	5D36	TC-5DL3	VDV-0536
36" Pipe Length-Black	58DVA-36B	5DT-36B	5D36B	TC-5DL3B	VDVB-0536
48" Pipe Length-Galvanized	58DVA-48	5DT-48	5D48	TC-5DL4	N/A
48" Pipe Length-Black	58DVA-48B	5DT-48B	5D48B	TC-5DL4B	N/A
60" Pipe Length-Galvanized	58DVA-60	N/A	N/A	N/A	N/A
60" Pipe Length-Black	58DVA-60B *	N/A	N/A	N/A	N/A

Adjustable Length 3"-10"-Galvanized	N/A	N/A	5DAL	TC-5DLT	N/A
Adjustable Length 3"-10"-Black	N/A	N/A	5DALB	TC-5DLTB	N/A
Adjustable Length 11"-14" -Galvanized	Disc. - See 58DV-08A	5DT-AJ	N/A	N/A	N/A
Adjustable Length 11"-14" -Black	Disc. - See 58DV-08B	5DT-AJB	N/A	N/A	N/A
Extension Pipe 17"-24" -Galvanized	Disc. - See 58DV-16A	N/A	N/A	N/A	N/A
Extension Pipe 17"-24" -Black	Disc. - See 58DV-16AB	N/A	N/A	N/A	N/A
Adjustable Length 8-1/2"-Galvanized	58DVA-08A*	N/A	N/A	N/A	N/A
Adjustable Length 8-1/2"-Black	58DVA-08AB	N/A	N/A	N/A	N/A
Extension Pipe 16"-Galvanized	58DVA-16A *	N/A	N/A	N/A	N/A

45° Elbow-Galvanized	58DVA-E45	5DT-EL45	5DT-EL45	TE-5DE45	VDV-EL0545
45° Elbow-Black	58DVA-E45B	5DT-EL45B	5DT-EL45B	TE-5DE45B	VDVB-EL0545
45° Elbow Swivel-Galvanized	Disc. - See 58DVA-E45	N/A	N/A	N/A	N/A
45° Elbow Swivel-Black	Disc. - See 58DVA-E45B	N/A	N/A	N/A	N/A
90° Elbow-Galvanized	58DVA-E90	5DT-EL90S	5DT-EL90S	TE-5DE90	VDV-EL0590
90° Elbow-Black	58DVA-E90B	5DT-EL90SB	5DT-EL90SB	TE-5DE90B	VDV-EL0590
90° Elbow, Swivel-Galvanized	Disc. - See 46DVA-E45	N/A	N/A	N/A	N/A
90° Elbow, Swivel-Black	Disc. - See 46DVA-E45	N/A	N/A	N/A	N/A
90° Starter Elbow, Swivel-Galvanized	N/A	N/A	N/A	N/A	N/A
Adaptor*	N/A	N/A	N/A	N/A	VDV-UAA05

Ceiling Support	58DVA-DC	5DT-CS	5DSP	TM-5RDS	VDV-CSR05
Cathedral Support Box	58DVA-CS	5DT-CSS	5DRS	TM-5SS	DV-CSS05
Wall Support/Band	58DVA-WS	5DT-WS/B	5DWS	TM-5WS	VDV-WS05
Offset Support	58DVA-ES*	5DT-OS	N/A	TM-5OS	N/A
Wall Thimble-Black	58DVA-WT	5DT-WT	5DWT	N/A	VDV-WPT05
Wall Thimble Support/Ceiling Support	58DVA-DC*	N/A	N/A	N/A	N/A
Firestop Spacer	58DVA-FS	5DT-FS	5DFS	TM-5LS	VDV-FS05
Trim Plate-Black	58DAV-WFS	5DT-TP	5DCP	TM-5TP	VDV-WTC05

* Not available from Regency

5" x 8" Rigid Pipe Cross Reference Chart (Non Power Vent)

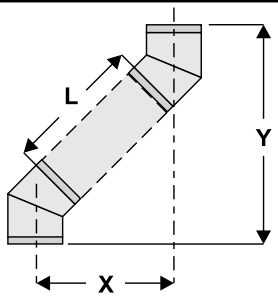
Description	Simpson Direct Vent Pro®	*Selkirk Direct Temp™	*Metal-Fab™ Sure Seal	*ICC Excel Direct	*Olympia Ventis DV
Attic Insulation Shield 12"	58DVA-IS*	N/A	N/A	N/A	VDV-AIS05
Basic Horizontal Termination Kit (A)	N/A	5DT-HKA	N/A	TM-5HTK	VDV-KW05
Horizontal Termination Kit (B)	58DVA-KHA	5DT-HKB	N/A	TM-5HTK	VDV-K05
Vertical Termination Kit	58DVA-VHA	5DT-VKC	N/A	N/A	N/A
High Wind Vertical Cap	58DVA-VCH	N/A	N/A	TM-5VT	VDV-VCH05
High Wind Horizontal Cap	N/A	N/A	N/A	TM-5DHT	N/A
Horizontal Square Termination Cap	N/A	5DT-HHC	5DHT	TM-5HTS	VDV-HC05
Vertical Termination Cap	N/A			N/A	N/A
Storm Collar	58DVA-SC	5DT-SC	5DSC	TM-SC	VDV-SC05
Adjustable Flashing 0/12-6/12	58DVA-F6	5DT-AF6	5DF	TF-5FA	VDV-F0506
Adjustable Flashing 6/12-12/12	58DVA-F12	5DT-AF12	5DF1-2	TF-5FB	VDV-F0512
Vinyl Siding Standoff	58DVA-VSS	5DT-VS	5DVS	TM-VSS	VDV-SSO
Vinyl Siding Shield Plate	N/A	5DT-VSP	N/A	N/A	N/A
Snorkel Termination 14"	58DVA-SNK14	N/A	N/A		N/A
Snorkel Termination 36"		N/A	N/A		N/A
Restrictor Disk	N/A	N/A	N/A	N/A	N/A
Colinear Flex Connectors	N/A	N/A	N/A	N/A	N/A

* Not available from Regency

FPI			
946-604/P	Simpson Direct Vent or Astro Cap -Vent Guard (Optional)	946-623/P	AstroCap XL Horizontal Cap
770-994	Rigid Pipe Adaptor (Must use with all rigid piping)		
**946-606	Starter collar reducer 5" x 8" to 4" x 6-5/8" (B36XTE, B36XTCE ONLY)	946-625	Vinyl Siding Standoff - AstroCap XL

Note: When using Metal-Fab Sure Seal Rigid Piping - please note that the Adaptor (5DDA) must be used in conjunction with FPI Rigid Pipe Adaptor (770-994).

Offset Pipe Selection: Use this table to determine offset pipe lengths.		
Pipe Length (L)	5" x 8" Venting	
	Run (X)	Rise (Y)
0" (0mm)	5-11/16" (144mm)	15-5/16" (389mm)
6" (152mm)	8-13/16" (224mm)	18-7/16" (468mm)
9" (229mm)	10-15/16" (278mm)	20-9/16" (522mm)
12" (305mm)	13" (330mm)	22-11/16" (576mm)
24" (610mm)	21-7/16" (697mm)	31-1/16" (789mm)
36" (914mm)	29-13/16" (757mm)	39-7/16" (1002mm)
48" (1219mm)	38-1/4" (972mm)	47-7/8" (1216mm)



For specific instructions on venting components - visit the manufacturers website listed below.

Simpson Direct Vent Pro: www.duravent.com

Selkirk Direct-Temp: www.selkirkcorp.com

Metal-Fab Sure Seal: www.mtfab.com

Industrial Chimney Company: www.icc-rsf.com

Olympia Ventis DV: www.olympiachimney.com

Note: Horizontal runs of vent must be level, or have a 1/4" rise for every 1 foot of run towards the termination. Never allow the vent to run downward - this could cause high temperatures and may present a possible fire hazard.

installation

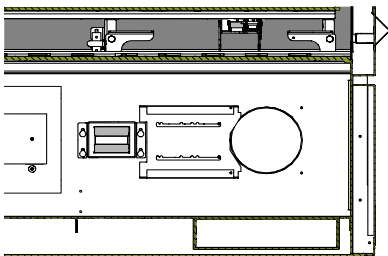
Vent Restrictor Position (Non Power Vent)

Vent restriction is required for certain venting installations. See the diagrams in the "Installation - Non Power Vent" and "Installation-Power Vent" sections to determine if they are required for your installation.

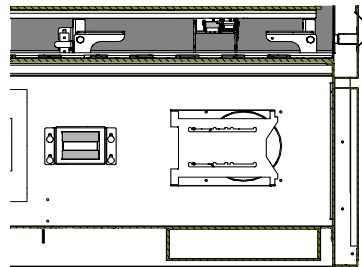
The vent restrictor plate is installed on the appliance at Set 0.

To set the vent restriction as indicated in the venting arrangements diagrams, refer to the following instructions;

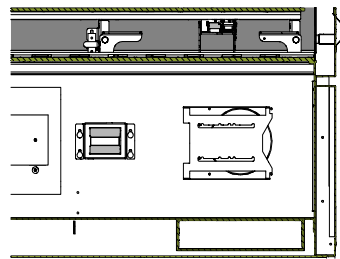
1. Remove the safety barrier glass and firebox glass--see instructions in this manual.
2. Adjust the vent restrictor plate to the required vent restrictor position as per the diagrams shown.
3. Once the vent restrictor plate is in the required position, secure with screws.



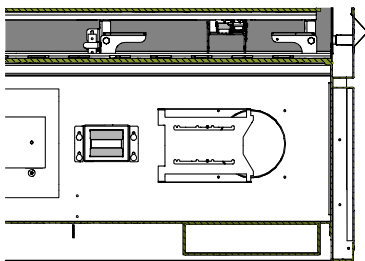
Set 0
Fully open
Factory Set



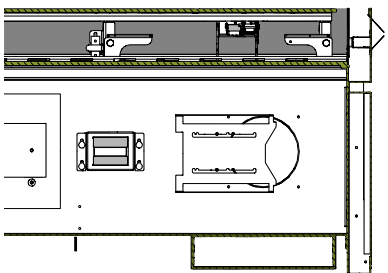
Set 4
1-1/2"



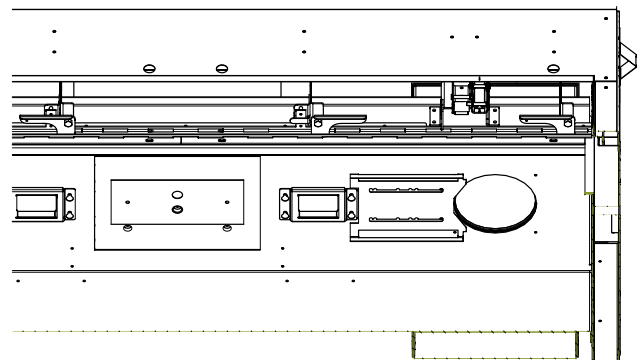
Set 5
3/4"



Set 2
3-1/8"



Set 3
2-3/8"



Cross section showing the ceiling of the firebox from the inside

Horizontal Terminations - Flex Vent 5" x 8" (Non Power Vent)

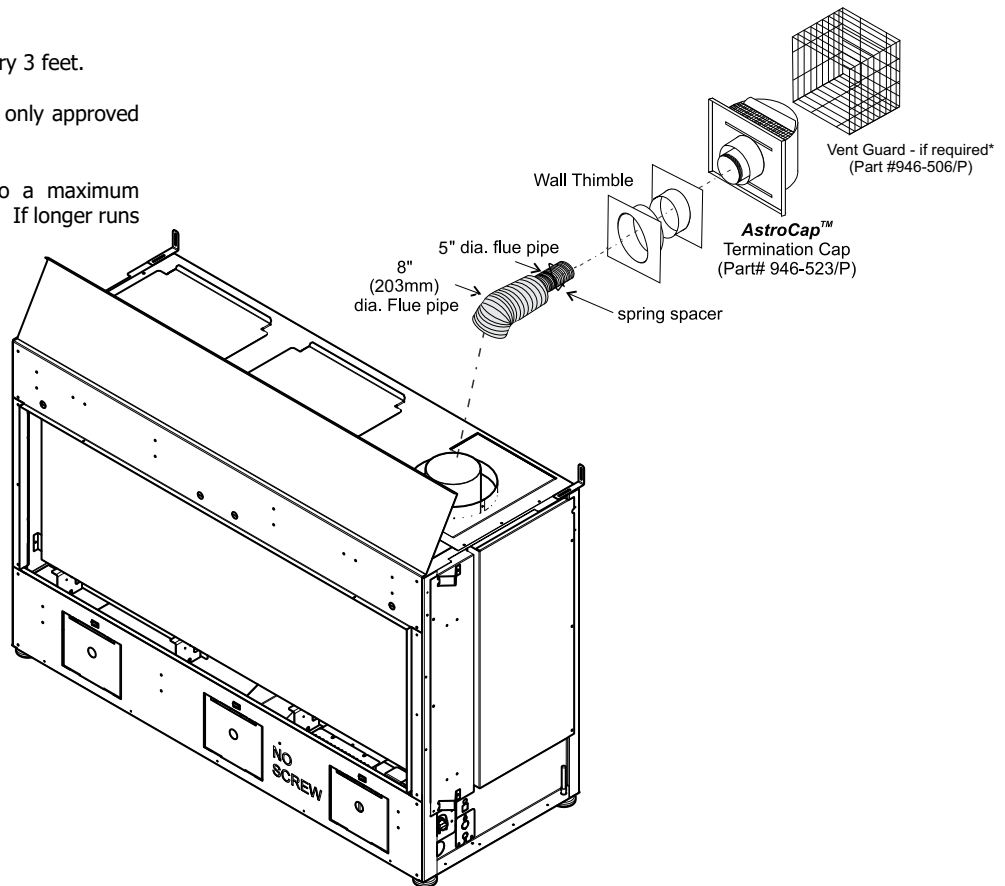
These venting systems, in combination with the CV50E Direct Vent Gas Fireplace, has been tested and listed as a direct vent heater system by Intertek. The location of the termination cap must conform to the requirements in the Vent Terminal Locations diagram in "Exterior Vent Termination Locations" section.

Regency® Direct Vent (Flex) System Termination Kits include all the parts needed to install the CV50E using a flexible vent.

FPI Kit #	Length	Contains:
#946-615	4 Feet	1) 8" flexible liner (Kit length) 2) 5" flexible liner (Kit length) 3) spring spacers
#946-618	6 Feet	4) thimble 5) AstroCap XL termination cap 6) screws
#946-616	10 Feet	7) tube of Mill Pac 8) plated screws 9) S.S. screws #8 x 1-1/2" drill point 10) vinyl siding standoff

Notes:

1. Liner sections should be continuous without any joints or seams.
2. Only Flex pipe purchased from Regency® may be used for Flex installations
3. Horizontal vent must be supported every 3 feet.
4. Regency® Direct Vent System (Flex) is only approved for horizontal terminations.
5. Flex system can only be used up to a maximum continuous vent length of up to 10 feet. If longer runs are required, rigid pipe must be used.



*Unit is not exactly as shown.

installation

Horizontal Terminations - Flex Vent 5" x 8" (Non Power Vent)

Unit Installation with Horizontal Termination 5" x 8" Venting (Flex Vent Systems)

Minimum Vent Clearances to Combustibles

* Clearances noted below must be maintained; except when passing through a wall, ceiling or at the termination where the use of a firestop or wall thimble reduces clearance to 1-1/2" (38mm).

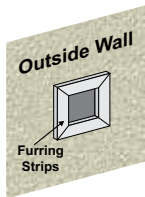
Horizontal Top	3" (76mm)
Horizontal Side	2" (51mm)
Horizontal Bottom	2" (51mm)
Vertical Vent	2" (51mm)

Below are the recommended framing dimensions (inside measurements) for the 5" x 8" rigid vent terminations - for use with a firestop or wall thimble.

Recommended Framed Opening Size	
Vent Size	Framing Size
5" x 8"	11" x 11"

1. Locate the unit in the framing, rough in the gas (preferably on the right side of the unit). Locate the centerline of the termination and mark wall accordingly. Cut an square hole in the wall - see chart (inside dimension).

Note: If installing termination on a siding covered wall, a vinyl siding standoff or vinyl furring strips must be used to ensure that the termination is not recessed into the siding.



2. Level the fireplace and fasten it to the framing using nails or screws through the nailing strips.
3. Assemble the vent assembly by applying Mill-Pac to the inner flue collar of the termination and slipping the inner flex liner over it at least 1-3/8" (35mm). Fasten with the 3 screws (drilling pilot holes will make this easier). Apply Mill-Pac to the outer flex pipe and slip it over the outer flue collar of the vent terminal at least 1-3/8" (35mm) and fasten with the 3 screws.

NOTE: Horizontal sections must be supported at intervals not exceeding 3 feet (0.9 meter). (Flame picture and performance will be affected by sags in the liner).

4. Separate the 2 halves of the wall thimble and securely fasten the one with the tabs to the outside wall making sure that the tabs are on top and bottom. Fasten the other thimble half to the inside wall. The thimble halves slip inside each other and can be adjusted for 2 x 4 or 2 x 6 walls.
5. Slip the assembled liner and termination assembly through the thimble making sure the termination cap faces up (there are markings on the cap that show which way is up). This will position the termination cap with proper down slope for draining water. Fasten the cap to the outer wall with the 4 supplied screws.
6. Pull the centre inner and outer flex liner out enough to slip over the flue collars of the fireplace. (You may wish to cut the liner shorter to make it more workable.) Do not bend liner more than 90°. The liners must slip over the collars a minimum of 1-3/8".
7. Apply Mill-Pac over the fireplace inner flue collar and slip the inner flex liner down over it and attach with 3 supplied screws.
8. Do the same with the outer flue collar and outer flex liner.
9. Apply a bead of silicone between the thimble and termination and around the outer edge of the terminal at the wall in order to keep the water out.

IMPORTANT: Do not locate termination hood where excessive snow or ice buildup may occur. Be sure to check vent termination area after snow falls, and clear to prevent accidental blockage of venting system. When using snow blowers, make sure snow is not directed towards vent termination area.

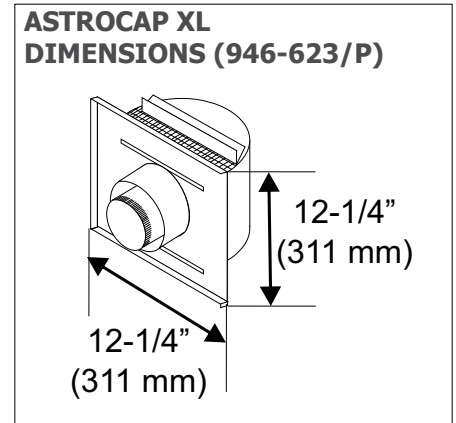


Diagram 1

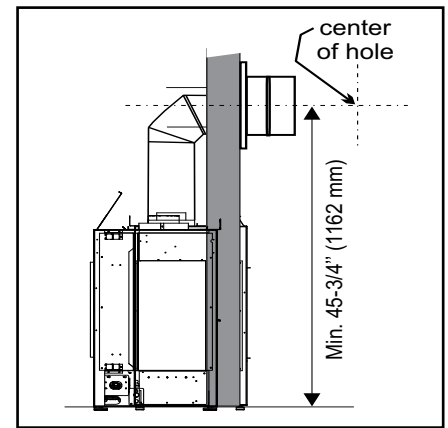
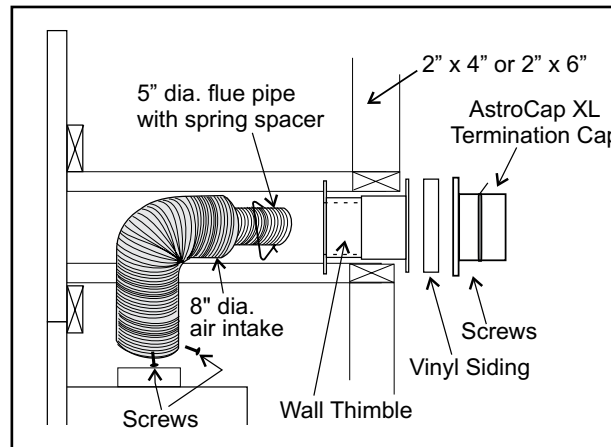


Diagram 2



Venting Introduction (Non Power Vent)

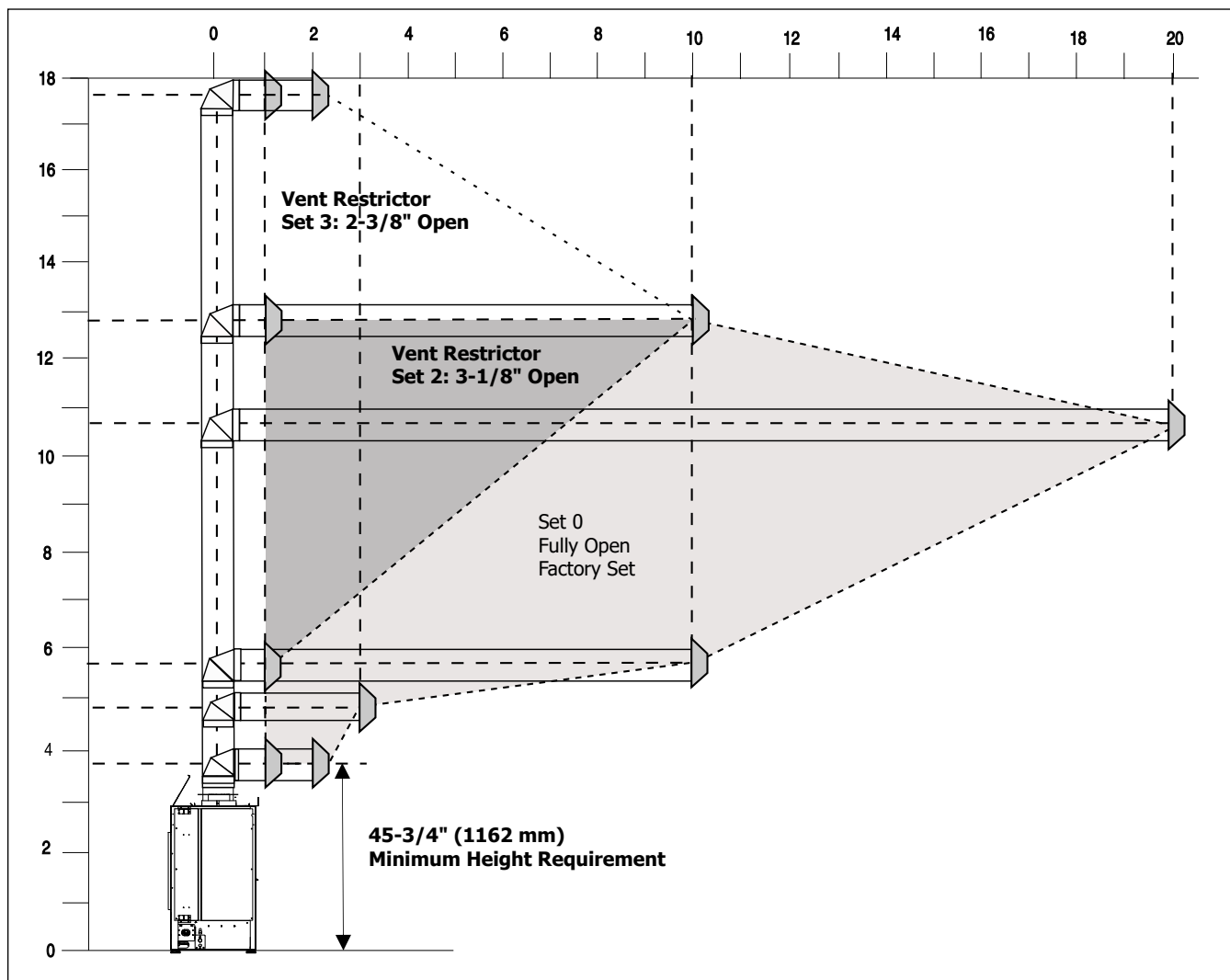
The CV50E uses the "balanced flue" technology co-axial system. The inner liner vents products of combustion to the outside while the outer liner draws outside combustion air into the combustion chamber, thereby eliminating the need to use heated room air for combustion and losing warm room air up the chimney. The gas appliance and vent system must be vented directly to the outside of the building, and never be attached to a chimney serving a separate solid fuel or gas burning appliance. Each direct vent gas appliance must use it's own separate vent system. Common vent systems are prohibited.

NOTE These flue pipes must not be connected to any other appliance.

Venting Arrangement for Horizontal Terminations (Rigid and Flex)

The diagram shows all allowable combinations of vertical runs with horizontal terminations, using one 90° elbow (two 45° elbows equal one 90° elbow).

- NOTES**
- Must use optional rigid pipe adapter (part# 770-994) when using rigid pipe venting systems.
 - For horizontal terminations, the Regency direct vent flex system may be used for installations with a maximum continuous vent length of up to 10 feet. If longer runs are required, rigid pipe must be used.



VENT RESTRICTOR SETTING:

Vent restrictor factory set at Set 0.

Refer to the "Vent Restrictor Position" section for details on how to change the vent restrictor from the factory setting of Set 0 to Set 3 if required.

- Maintain clearances to combustibles as listed in "Clearances" section
- Horizontal vent must be supported every 3 feet.
- Firestops are required at each floor level and whenever passing through a wall.
- A vent guard should be used whenever the termination is lower than the specified minimum or as per local codes.

installation

Horizontal Terminations - Rigid Pipe 5" x 8" (Non Power Vent)

The minimum components required for a basic horizontal termination are:

- 1 Horizontal Termination Cap
- 1 Rigid Pipe Adaptor (770-994)
- 1 Wall Thimble
- 1 Length of pipe to suit wall thickness (see chart)

Wall thickness is measured from the back standoffs to the inside mounting surface of termination cap. For siding other than vinyl furring strips may be used, instead of the vinyl siding standoff, to create a level surface to mount the vent terminal. The Terminal must not be recessed into siding. Measure the wall thickness including furring strips.

If a Vinyl Siding Standoff is required (it must be used with vinyl siding), measure to outside surface of wall without siding and add 2 inches.

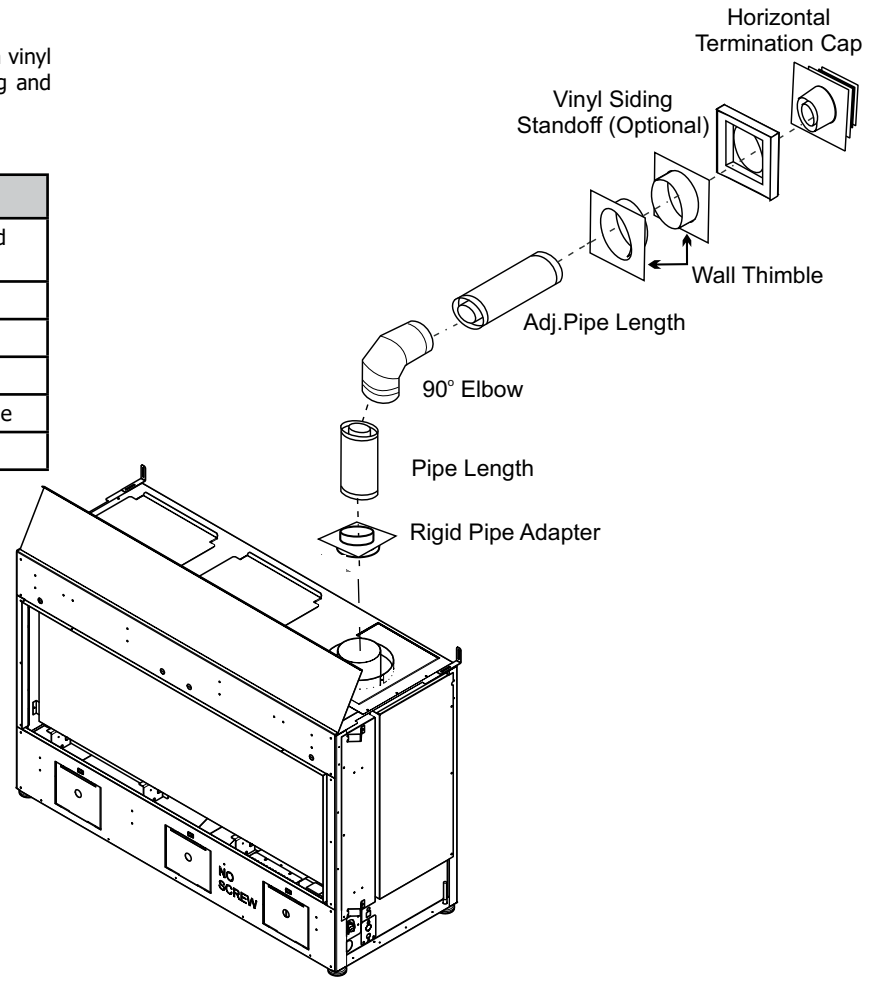
Flat Wall Installation	
Wall Thickness (inches)	Vent Length Required (inches)
4" - 5-1/2"	6"
7" - 8-1/2"	9"
10" - 11-1/2"	12"
9" - 14-1/2'	11" - 14-5/8" Adj. Pipe
15" - 23-1/2"	17" - 24" Adj. Pipe

WARNING:

Do not combine venting components from different venting systems.

However use of the the AstroCap™ and FPI Riser is acceptable with all systems.

This product has been evaluated by Intertek for using a Rigid Pipe Adaptor in conjunction with Duravent Direct-Vent, Selkirk Direct-Temp, Ameri Vent Direct Venting, ICC Excel Direct, Olympia Ventis DV, and Security Secure Vent systems. Use of these systems with the Rigid Pipe adaptor is deemed acceptable and does not affect the Intertek WHI listing of components.



*Unit is not exactly as shown.

When using Rigid Vent other than Simpson Dura-Vent, 3 screws must be used to secure rigid pipe to adaptor.

The FPI AstroCap™ and FPI Riser Vent terminal are certified for installations using FPI venting systems as well as Simpson Dura-Vent® Direct Vent, American Metal Products Ameri Vent Direct Vent, Security Secure Vent®, ICC Excel, Olympia Ventis DV, Selkirk Direct-Temp. AstroCap™ is a proprietary trademark of FPI Fireplace Products International Ltd. Dura-Vent® and Direct Vent are registered and/or proprietary trademarks of Simpson Dura-Vent Co. Inc.

Unit Installation with Horizontal Termination (Non Power Vent)

5" x 8" Venting

(Rigid Vent Systems)

Minimum Vent Clearances to Combustibles

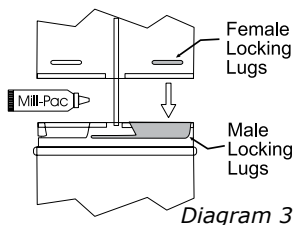
* Clearances noted below must be maintained; except when passing through a wall, ceiling or at the termination where the use of a firestop or wall thimble reduces clearance to 1-1/2" (38mm).

Horizontal Top*	3" (76mm)*
Horizontal Side	2" (51mm)
Horizontal Bottom	2" (51mm)
Vertical Vent	2" (51mm)

Below are the recommended framing dimensions (inside measurements) for the 5" x 8" rigid vent terminations - for use with a firestop or wall thimble.

Install the vent system according to the manufacturer's instructions included with the components.

1. Set the unit in its desired location. Check to determine if wall studs or roof rafters are in the way when the venting system is attached. If this is the case, you may want to adjust the location of the unit. Rough in the gas preferably on the right side of the unit and the electrical (junction block is on the left side) on the left.
2. Direct Vent pipe and fittings are designed with special twist-lock connections to connect the venting system to the appliance flue outlet. A twist-lock appliance adaptor is required.
3. In conjunction with the Approved Vent system, install the adaptor after the unit is set in its desired location. Slip the adapter over the existing inner and outer flue collar. Fasten to the outer collar only with the 3 supplied screws (drilling pilot holes will make this easier).
4. Level the fireplace and fasten it to the framing using nails or screws through the top and side nailing strips.



5. Assemble the desired combination of pipe and elbows to the appliance adaptor and twist-lock for a solid connection.

Note: For best results and optimum performance with each approved venting system, it is highly recommended to apply "Mill-Pac" sealant (supplied) to every inner pipe connection. Failure to do so may result in drafting or performance issues not covered under warranty.

Horizontal runs of vent must be supported every 3 feet (0.9meter). Wall straps are available for this purpose.

6. Mark the wall for a square hole.-see chart to left for size. The center of the square hole should line up with the center-line of the horizontal pipe. Cut and frame the square hole in the exterior wall where the vent will be terminated.

See diagram 54 for center line requirements.

If the wall being penetrated is constructed of non-combustible material, i.e. masonry block or concrete, an 8" (203mm) diameter hole is acceptable.

Notes:

- a) The horizontal run of vent must be level, or have a 1/4 inch rise for every 1 foot of run towards the termination. Never allow the vent to run downward. This could cause high temperatures and may present the possibility of a fire.
- b) The location of the horizontal vent termination on an exterior wall must meet all local and national building codes, and must not be blocked or obstructed. See "Exterior Vent Termination Locations" section for more details.

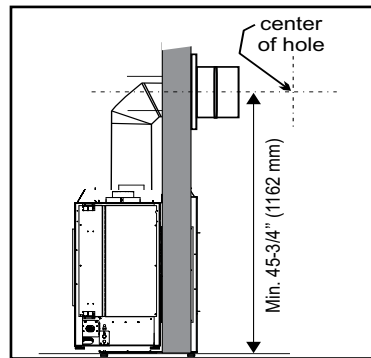


Diagram 4

c) Snorkel Terminations:

For installations requiring a vertical rise on the exterior of the building, 14-inch and 36-inch tall Snorkel Terminations are available, as well as the standard Riser Vent. Follow the same installation procedures as used for standard Horizontal Termination. NEVER install the snorkel upside down.

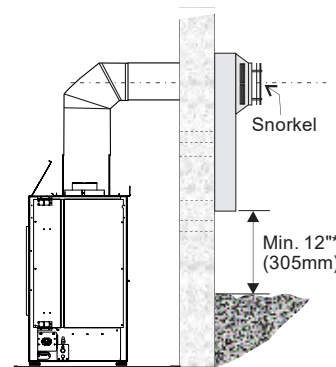


Diagram 5

*As specified in CSA B149.1 Installation Code. Local codes or regulations may require different clearances.

Below Grade Snorkel Installation

If the snorkel termination must be installed below grade, i.e. basement application, proper drainage must be provided to prevent water from entering the snorkel termination. See diagram 56. Do not attempt to enclose the snorkel within the wall or any other type of enclosure.

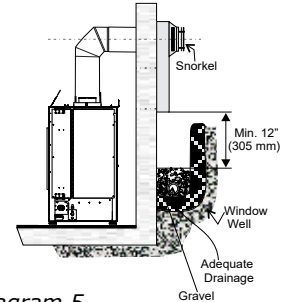
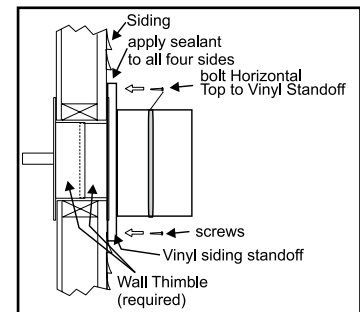


Diagram 5

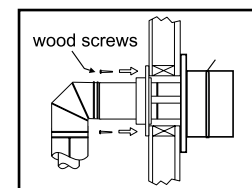
7. Ensure that the pipe clearances to combustible materials are maintained (Diagram 55). Install the termination cap.

Note: If installing termination on a vinyl siding covered wall, a vinyl siding standoff or furring strips must be used to ensure that the termination is not recessed into the siding.



The four wood screws provided should be replaced with appropriate fasteners for stucco, brick, concrete, or other types of sidings.

8. Before connecting the horizontal run of vent pipe to the vent termination, slide the Wall Thimble over the vent pipe. The wall thimble is required for all horizontal terminations.
9. Slide the appliance and vent assembly towards the wall carefully inserting the vent pipe into the vent cap assembly. It is important that the vent pipe extends into the vent cap sufficient distance so as to result in a minimum pipe overlap of 1-1/4 inches (32mm). Secure the connection between the vent pipe and the vent cap.
10. Install wall thimble in the center of the framed hole and attach with wood screws.



installation

Horizontal Terminations - Rigid/Flex Pipe 5" x 8" (Non Power Vent)

The diagrams below show examples of horizontal termination arrangements using one, two, or three 90° elbows (two 45° elbows equal one 90° elbow).

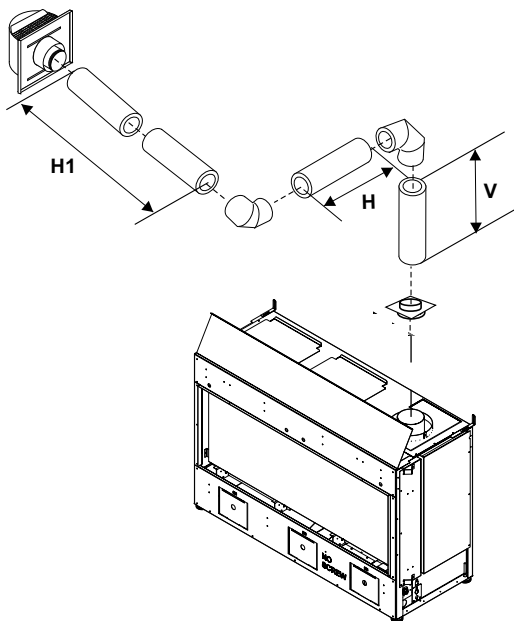
1. A maximum of three 90° elbows are permitted.
 2. Minimum distance between elbows is 1 ft. (305mm).
- Maintain clearances to combustibles as listed in the "Clearances" section.
 - Horizontal vent must be supported every 3 feet.
 - Firestops are required at each floor level and whenever passing through a wall.
 - Must use optional rigid pipe adaptor (Part# 770-994) when using rigid pipe vent systems.
 - A vent guard should be used whenever the termination is lower than the specified minimum or as per local codes.
 - Flex system can only be used up to 10 feet - otherwise rigid venting must be used.

Horizontal Venting with Two 90° Elbows

One 90° elbow = Two 45° elbows.

Option	V	H + H1	With these options, maximum total pipe length is 30 feet with minimum of 6 feet total vertical and maximum 8 feet total horizontal. Please note minimum 1 foot between 90° elbows is required.
A)	1' Min.	2' Max.	
B)	2' Min.	4' Max.	
C)	3' Min.	5' Max.	
D)	4' Min.	6' Max.	
E)	5' Min.	7' Max.	
F)	6' Min.	8' Max.	

Restrictor Set 0 - Factory Setting

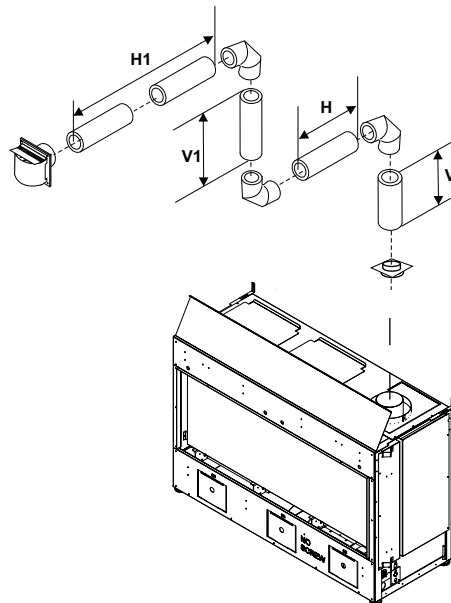


Horizontal Venting with Three 90° Elbows

One 90° elbow = Two 45° elbows.

Option	V	H	V + V1	H + H1	With these options, max. total pipe length is 30 feet with min. of 12 feet total vertical and max. 9 feet total horizontal. Please note min. 1 foot between 90° elbows is required.
A)	1' Min.	1' Max.	2' Min.	2' Max.	
B)	1' Min.	2' Max.	3' Min.	3' Max.	
C)	2' Min.	2' Max.	5' Min.	4' Max.	
D)	3' Min.	2' Max.	7' Min.	5' Max.	
E)	4' Min.	3' Max.	9' Min.	6' Max.	
F)	5' Min.	4' Max.	10' Min.	7' Max.	
G)	6' Min.	5' Max.	11' Min.	8' Max.	
H)	7' Min.	6' Max.	12' Min.	9' Max.	

Restrictor Set 0 - Factory Setting



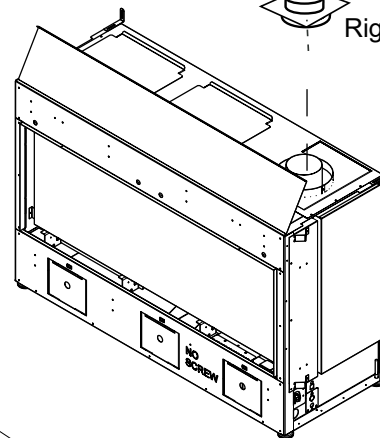
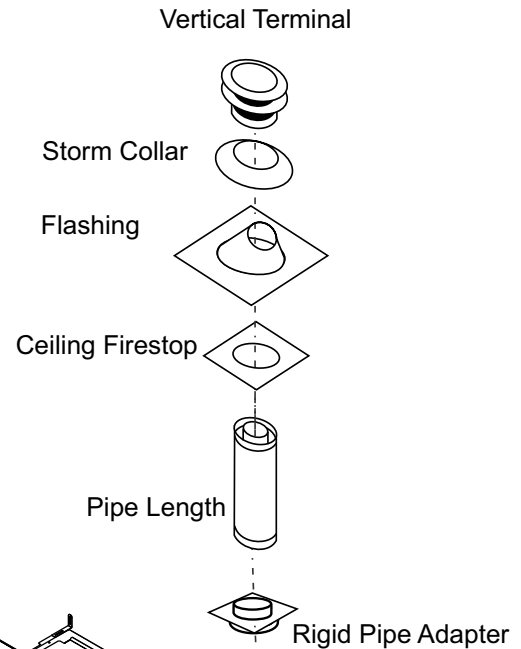
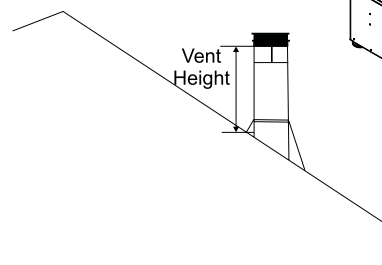
Vertical Terminations - Rigid Pipe 5" x 8" (Non Power Vent)

The minimum components required for a basic vertical termination are:

- 1 Vertical Termination Cap
- 1 Rigid Pipe Adaptor (770-994)
- 1 Ceiling Firestop
- 1 Flashing
- 1 Storm Collar
- 1 Length of pipes to suit wall thickness & vent run (see chart)

Galvanized pipe is desirable above the roofline due to its higher corrosion resistance. Continue to add pipe sections through the flashing until the height of the vent cap meets the minimum height requirements specified in table below or local codes. Note that for steep roof pitches, the vertical height must be increased. A poor draft, or down drafting can result from high wind conditions near big trees or adjoining roof lines, in these cases, increasing the vent height may solve the problem.

Roof Pitch	Minimum Vent Height	
	Feet	Meters
flat to 7/12	2	0.61
over 7/12 to 8/12	2	0.61
over 8/12 to 9/12	2	0.61
over 9/12 to 10/12	2.5	0.76
over 10/12 to 11/12	3.25	0.99
over 11/12 to 12/12	4	1.22
over 12/12 to 14/12	5	1.52
over 14/12 to 16/12	6	1.83
over 16/12 to 18/12	7	2.13
over 18/12 to 20/12	7.5	2.29
over 20/12 to 21/12	8	2.44



*Unit is not exactly as shown.

WARNING:

Do not combine venting components from different venting systems.

However use of the the AstroCap™ and FPI Riser is acceptable with all systems.

This product has been evaluated by Intertek for using a Rigid Pipe Adaptor in conjunction with Duravent Direct-Vent, Selkirk Direct-Temp, Ameri Vent Direct Venting, ICC Excel Direct, Olympia Ventis DV, and Security Secure Vent systems. Use of these systems with the Rigid Pipe adaptor is deemed acceptable and does not affect the Intertek WHI listing of components.

When using Rigid Vent other than Simpson Dura-Vent, 3 screws must be used to secure rigid pipe to adaptor.

The FPI AstroCap™ and FPI Riser Vent terminal are certified for installations using FPI venting systems as well as Simpson Dura-Vent® Direct Vent, American Metal Products Ameri Vent Direct Vent, Security Secure Vent®, ICC Excel, Olympia Ventis DV, Selkirk Direct-Temp. AstroCap™ is a proprietary trademark of FPI Fireplace Products International Ltd. Dura-Vent® and Direct Vent are registered and/or proprietary trademarks of Simpson Dura-Vent Co. Inc.

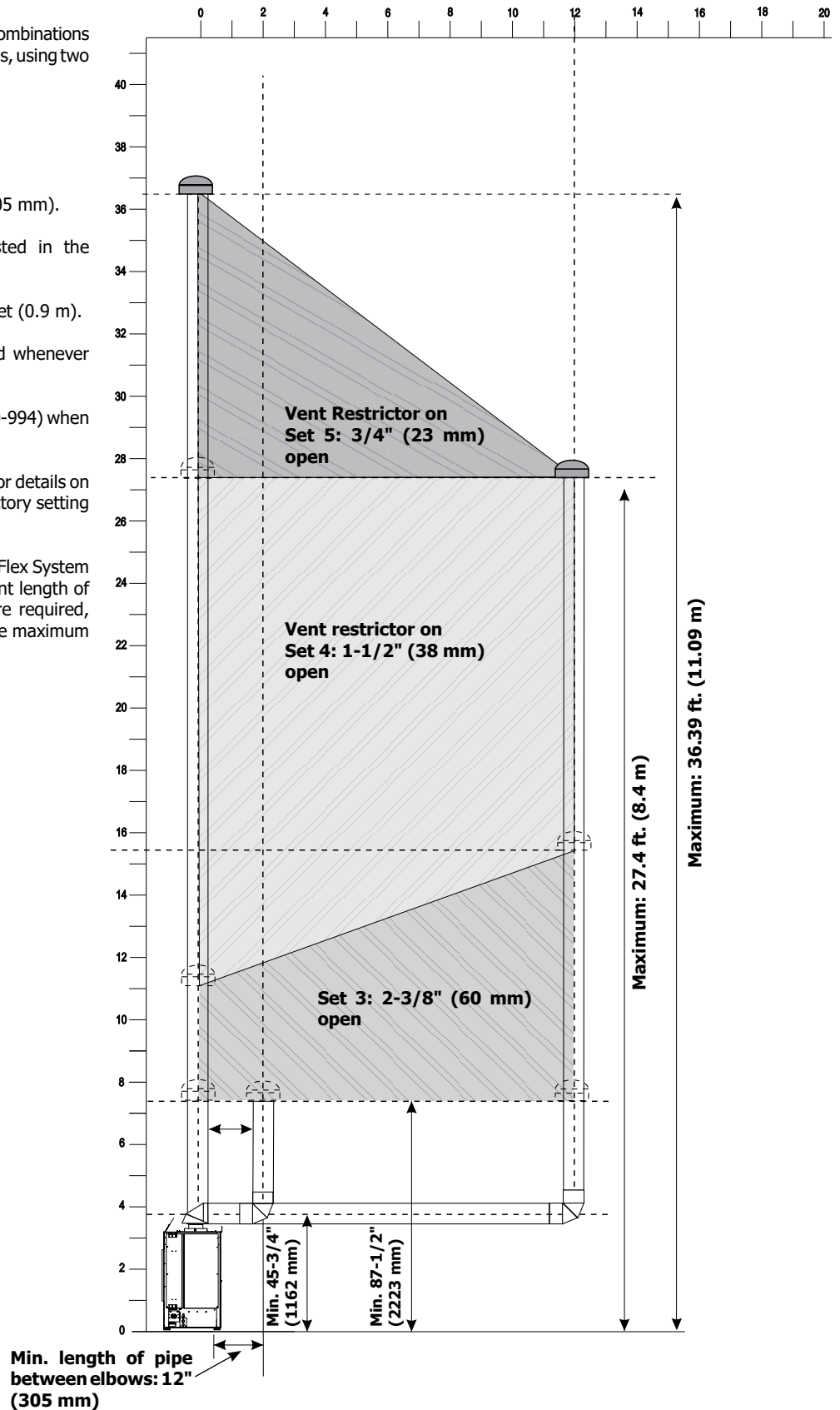
installation

Venting Arrangement for Vertical Terminations - 5" x 8" (127 mm x 203 mm) Rigid and Flex Pipe (Non Power Vent)

The shaded area in the diagram shows all allowable combinations of straight vertical and offset-to-vertical terminations, using two 90° elbows with rigid/flex pipe venting systems.

- Two 45° elbows equal to one 90° elbow.
- Vent must be supported at offsets.
- Minimum distance between elbows is 1 ft. (305 mm).
- Maintain clearances to combustibles as listed in the "Clearances" section.
- Horizontal vent must be supported every 3 feet (0.9 m).
- Firestops are required at each floor level and whenever passing through a wall.
- Must use optional rigid pipe adaptor (Part# 770-994) when using rigid pipe vent systems.
- Refer to the "Vent Restrictor Position" section for details on how to change the vent restrictor from the factory setting of Set 0 through to Set 5, if required.

For vertical terminations, the Regency Direct Vent Flex System may be used for installations with a maximum vent length of up to 40 feet including offsets. If longer runs are required, rigid pipe must be used. If no offsets are used, the maximum run is per the chart on this page.



Vertical Terminations Rigid/Flex Pipe 5" x 8" (Non Power Vent)

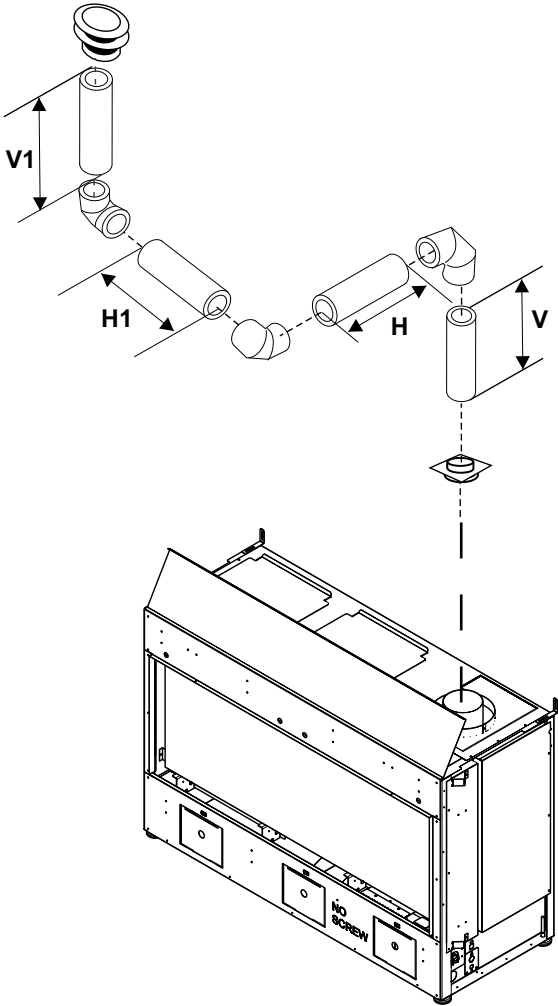
- Two 45° elbows equal to one 90° elbow. Maximum of six 45° elbows allowed.
- Vent must be supported at offsets.
- Minimum distance between elbows is 1 ft. (305mm).
- Maintain clearances to combustibles as listed in the "Clearances" section.
- Horizontal vent must be supported every 3 feet.
- Firestops are required at each floor level and whenever passing through a wall.
- Must use optional rigid pipe adaptor (Part# 770-994 when using rigid pipe vent systems)

The Regency Direct Vent Flex System may be used for installations with a maximum vent length of up to 40 feet including offsets. If longer runs are required, rigid pipe must be used.

Vertical Venting with Three (3) 90° Elbows

One 90° elbow = Two 45° elbows.

Option	V	H + H1	V + V1	
A)	1' Min.	2' Max	3' Min.	With these options, max. total pipe length is 30 feet with min. of 10 feet total vertical and max. 8 feet total horizontal. Please note min. 1 foot between 90° elbows is required.
B)	2' Min.	3' Max	4' Min.	
C)	3' Min.	4' Max	6' Min.	
D)	4' Min.	5' Max	7' Min.	
E)	5' Min.	6' Max	8' Min.	
F)	6' Min.	7' Max	9' Min.	
G)	7' Min.	8' Max	10' Min.	
Lengths do not include elbow indicated Restrictor Set 0 - Factory Setting				



installation

Vertical Terminations - Venting - Vertical Flex Vent Kit (Part #946-772) (Non Power Vent)

Vertical Flex Vent Kit includes:

- 20 ft. flex pipe (inner & outer) with 10 spacers
- 3 wall straps
- Ceiling firestop
- Firestop spacer
- Brackets
- Flex to rigid adaptor
- Roof support
- 36" rigid DuraVent pipe
- Storm collar
- High wind termination cap
- Hardware

NOTE The roof flashing is not included with this kit and must be purchased separately.

NOTE Vertical flex installations must conform to the limitations set in the vertical venting charts.

You must choose 1 of the following:

- | Part # | Description |
|----------------------|---------------|
| 58DVA-F6-0/12-6/12 | Roof Flashing |
| 58DVA-F12-7/12-12/12 | Roof Flashing |
- Maintain the 1-1/2" (38 mm) clearance (air space) to combustibles when passing through ceilings, walls, floors, enclosures, attic rafters or other nearby combustibles. Do not pack air spaces with insulation. Check venting sections for the maximum vertical rise of the venting system and the maximum horizontal offset limitations.
Ensure that you maintain clearances around enclosures, walls, below or above floors, floor joists, etc. Each appliance has different clearance requirements (top,sides,bottom). See specific appliance manual for details.
 - Set the appliance in its desired position. Drop a plumb bob down from the ceiling/floor joist to the position of the appliance flue exit and mark the location where the vent will penetrate the ceiling. Drill a small hole at this point. Next drop a plumb bob from the roof to the hole previously drilled at the ceiling level and mark the spot where the vent will penetrate the roof.
 - Cut a hole in the roof centered on the small hole placed in the roof in the previous steps. The hole should be a minimum of 11" (279 mm). The hole may be round and or square.
 - Slip the flashing under the shingles and line up flashing so it is centered to the hole (shingles should overlap half of the flashing) as per Diagram 1.

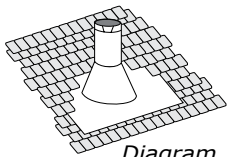


Diagram 1 - The upper half of the flashing is installed under the roofing material and not nailed down until the chimney is installed. This allows for small adjustments.

- A ceiling firestop/firestop spacer must be installed when passing through each floor or ceiling level. To install the ceiling firestop/firestop spacer in a flat ceiling or floor joist cut a 11" (279 mm) square hole. Frame the hole as show in Diagram 2 and install the ceiling firestop. Slide the top attic insulation spacer onto the top of the attic insulation shield/firestop - See Diagram 2a. Secure with 4 screws/nails. If more than one is required, these can be purchased separately.

NOTE The ceiling firestop/firestop spacer may be cut down to size if this shield is too high for the application.

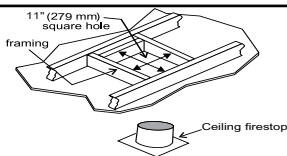
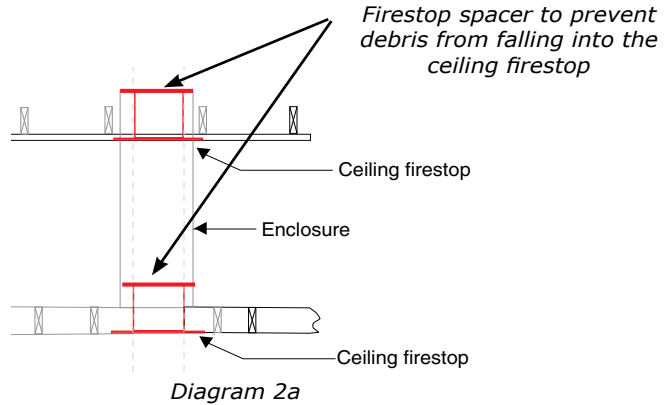


Diagram 2



- Determine the overall height of the chimney from the top of the appliance to the underside of the vent. If required cut the flexible inner and outer pipe to the desired length up to a maximum of 20 ft. (6.1 m).
 - Put a bead of Mill-Pac around the 5" (127 mm) collar on the appliance and slide the inner flex pipe over the inner collar of the appliance and secure with a minimum of 3 screws.
 - Install 5" (127 mm) spacers around 5" (127 mm) flex.
 - Repeat Step 7 to install the outer pipe to the outer collar of the appliance.
- NOTE** If an offset is necessary in the attic or floor joists it is important to support the vent pipe every 3 feet (914 mm) to avoid excessive stress and sagging of the vent pipe. Wall straps are provided (3 in total) for this purpose. All round/plumbers strapping may also be used if further supports are required.
- Attach the rigid pipe section to the adaptor by using MillPac on the inner/ outer pipe. Use 3 screws to secure outer pipe.
 - Secure inner flex pipe to pipe adaptor using Mill-Pac over the adaptor. Slide the inner pipe over the flex to rigid adaptor and secure with 3 screws.
 - Repeat Step 11 to secure outer flex.

13. Slide the finished length up towards the flashing ensuring the length of pipe is a minimum of 2 feet (0.61 m) measured from the top of the roof. Level the chimney and secure using the roof support provided with kit to bottom side of the roof as shown using a minimum of 2 screws per side- see Diagram 3b. See Diagram 4 for roof pitch and height requirements. See Diagram 3a for securing method if 2 feet (0.61 m) is insufficient and additional lengths are required, this may be purchased separately. See Simpson Duravent components list in the instruction manual for part numbers.

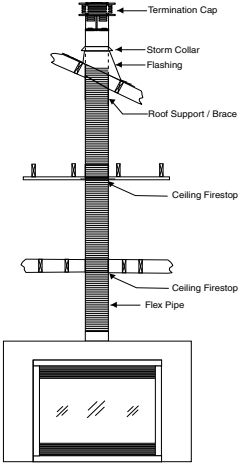
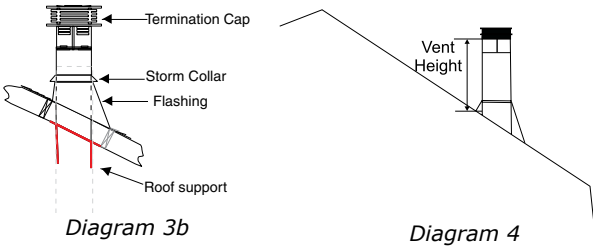


Diagram 3

Roof Pitch	Minimum Vent Height	Minimum Vent Height
	Feet	Meters
flat to 7/12	2	0.61
over 7/12 to 8/12	2	0.61
over 8/12 to 9/12	2	0.61
over 9/12 to 10/12	2.5	0.76
over 10/12 to 11/12	3.25	0.99
over 11/12 to 12/12	4	1.22
over 12/12 to 14/12	5	1.52
over 14/12 to 16/12	6	1.83
over 16/12 to 18/12	7	2.13
over 18/12 to 20/12	7.5	2.29
over 20/12 to 21/12	8	2.44

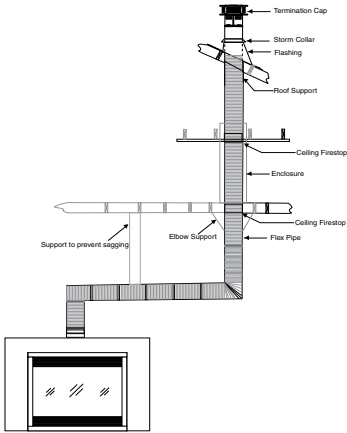


Diagram 3a

14. Put a bead of caulking on the exterior between the outer pipe and flashing to prevent water from penetrating the chimney system.
15. Slide storm collar over pipe length until it reaches the flashing.
16. Install termination cap by twist locking it.
17. Secure the flashing to the roof using screws

Note: Any closets or storage spaces which the vent passes through must be enclosed.

installation

Vertical Flex Extension Kit (Part # 946-769) (Non Power Vent)

20 foot (6.1 m) flex pipe extension

Vertical Flex Extension Kit includes:

- 20 ft. flex pipe (inner & outer) with 10 spacers
- 3 wall straps
- Flex adaptor
- Hardware

Used in conjunction with the 946-772 Vertical Flex Vent Kit for vertical installations.

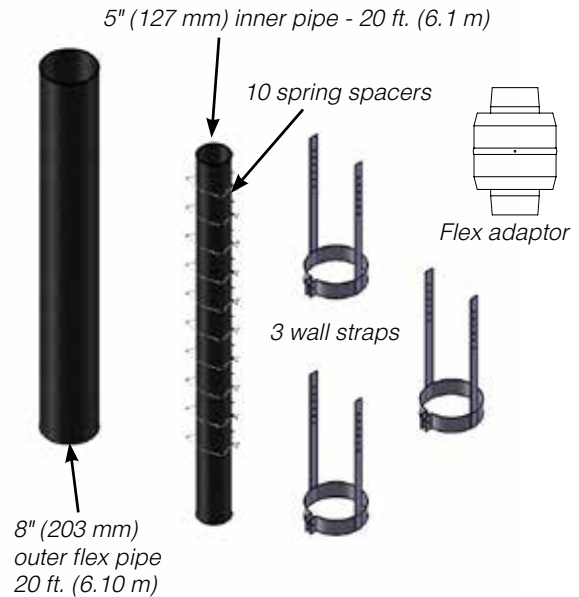
1. Stretch out both inner 5" (127 mm) and outer 8" (203 mm) pipe up to a maximum of 20 ft. (6.1 m).

NOTE The inner and outer pipes may be cut if only a short length is required.

2. Install spring spacers around 5" (127 mm) inner pipe as shown. Slide outer flex pipe over and all the way down the 5" (127 mm) pipe.
3. Apply a bead of Mill Pac around the perimeter of the 5" (127 mm) inner collar of the flex adaptor and slip the 5" (127 mm) inner flex pipe from the Vertical termination kit over the flex adaptor ensuring that the inner flex pipe overlaps the collar by at least 1.4" (35 mm). Fasten with 3 screws.
4. Apply a bead of Mill Pac around the perimeter of the 8" (203 mm) outer collar of the flue adapter and slip it over the 8" (203 mm) outer flex pipe from the vertical termination kit ensuring that the outer flex pipe overlaps the collar by at least 1.4" (35 mm). Fasten with the 3 screws.
5. Repeat steps to secure the other end of the flex adapter using the flex kit.
6. See Vertical Vent installation instructions for installation of the complete vent system.

NOTE If an offset is necessary in the attic or floor joists it is important to support the vent pipe every 3 ft. (0.91 m) to avoid excessive stress and sagging of the vent pipe. Wall straps are provided (3 in total) for this purpose.

All round/plumbers strapping may also be used if further supports are required.



Ceiling Firestop / Firestop Spacer (Part # 946-770) (Non Power Vent)

Used in conjunction with the 946-772 Vertical Flex Kit and 946-769 Vertical Flex Extension Kit.

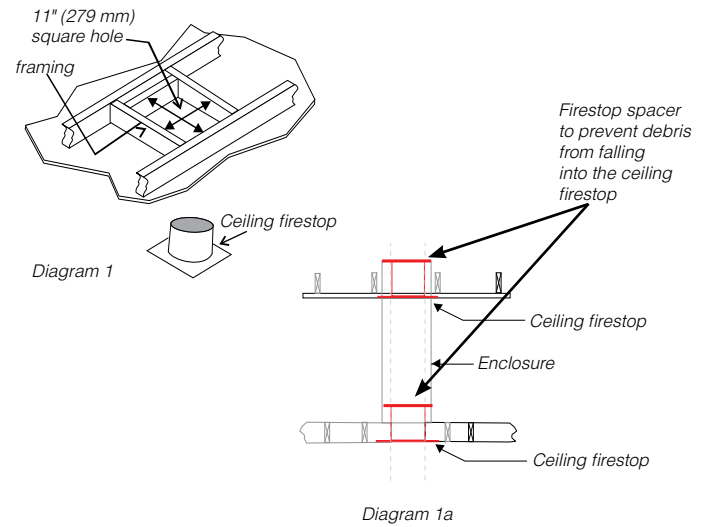
A ceiling firestop/firestop spacer must be installed when passing through each floor or ceiling level.

Steps to install the ceiling firestop/firestop spacer in a flat ceiling or floor joist:

1. Cut a 11" (279 mm) square hole.
2. Frame the hole as show in Diagram 1.
3. Install the ceiling firestop.
4. Slide the top attic insulation spacer onto the top of the attic insulation shield/firestop - See Diagram 1a.
5. Secure with 4 screws/nails.

Firestops can be purchased separately if more than one is required.

NOTE The ceiling firestop/firestop spacer may be cut down to size if it is too high for the application.

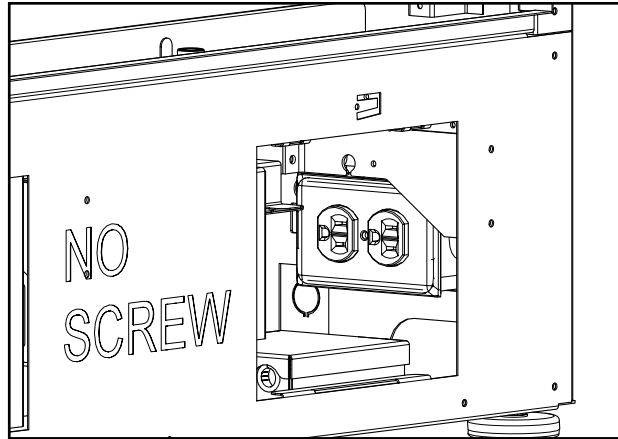


installation

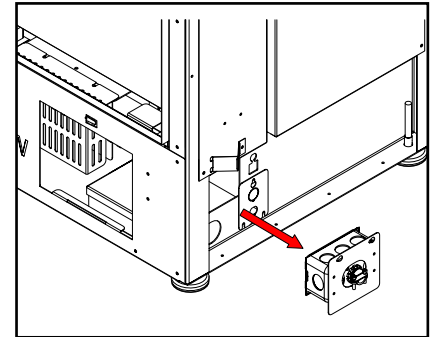
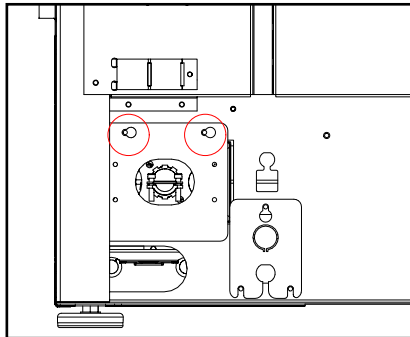
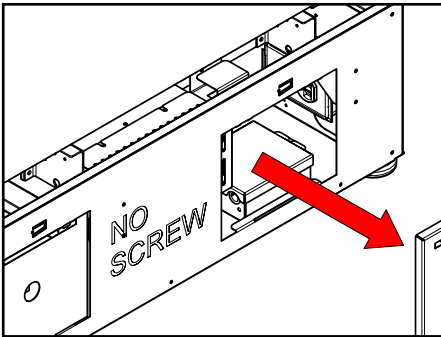
Wiring the Unit (Both Non Power Vent/Power Vent)

The wiring for the unit should be completed before any finishing material is installed.

1. Remove the right side and front right access panel--see access panel removal instructions in this manual.

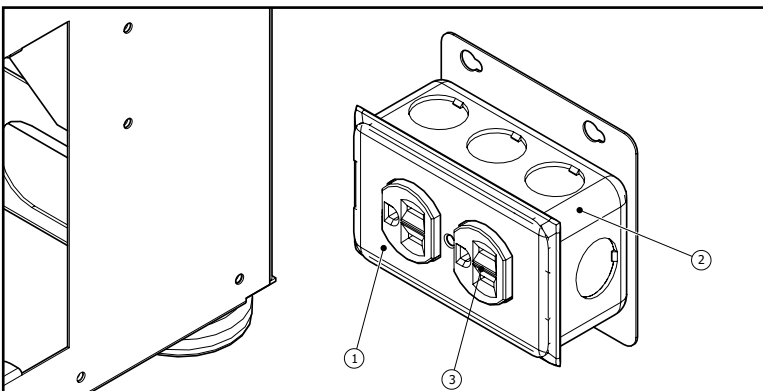


2. Loosen 2 screws in locations shown below.



3. Slide electrical box plate towards the back of the unit and then out.

4. Bring the wiring from inside the wall through the opening created when the plate was removed in the previous step.



Item	Part #	Description
1	910-430	Receptacle Cover
2	910-429	Metal Box
3	910-428	White Receptacle

5. Wire the electrical box.

NOTE: The receptacle and receptacle cover may be located in the manual pack and may need to be installed.

6. Feed any excess wiring into the wall and reinstall the plate onto the wall of the unit.
7. Reinstall electrical box and plate onto screws.
8. Tighten screws to secure.

installation

NG SYSTEM DATA	
Max. Supply Pressure	14"WC (3.45 Kpa)
Min. Supply Pressure	5" WC (1.25 kpa)
Manifold Pressure	3.8" WC (0.87 kpa)
Orifice Size	#36 DMS
Maximum Input	35,000 Btu/h (10.25 kW)
Minimum Input	19,000 Btu/h (5.57 kW)

LP SYSTEM DATA	
Max. Supply Pressure	14"WC (3.45 Kpa)
Min. Supply Pressure	11" WC (2.73 kpa)
Manifold Pressure	10.5" WC (2.49 kpa)
Orifice Size	#52 DMS
Maximum Input	33,000 Btu/h (9.67 kW)
Minimum Input	17,000 Btu/h (4.98 kW)

High Elevation

This unit is approved for altitude 0 to 4500 ft. (CSA 2.17).

Gas Line Installation

Since some municipalities have additional local codes it is always best to consult with your local authorities and the CSA B149.1 installation code.

For USA installations follow local codes and/or the current National Fuel Gas Code, ANSI Z223.1.

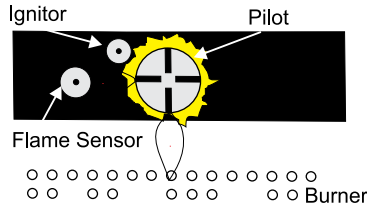
When using copper or flex connectors use only approved fittings. Always provide a union so that gas lines can be easily disconnected for servicing. Flare nuts for copper lines and flex connectors are usually considered to meet this requirement.

NOTE: A shutoff / dante valve should be supplied in or near the unit (or as per local codes) for ease of servicing this appliance.

IMPORTANT: Always check for gas leaks with a soap and water solution or gas leak detector. Do not use open flame for leak testing.

Pilot Adjustment

Periodically check the pilot flames. Correct flame pattern has two strong blue flames: 1 flowing around the flame sensor and 1 flowing across the burner (it does not have to be touching the burner).



Note: If you have an incorrect flame pattern, contact your Regency® dealer for further instructions.

Incorrect flame pattern will have small, probably yellow flames, not coming into proper contact with the rear burner or flame sensor.

Gas Pipe Pressure Testing

The appliance must be isolated from the gas supply piping system by closing its individual manual shut-off valve during any pressure testing of the gas supply piping system at test pressures equal to or less than 1/2 psig. (3.45 kPa). Disconnect piping from valve at pressures over 1/2 psig.

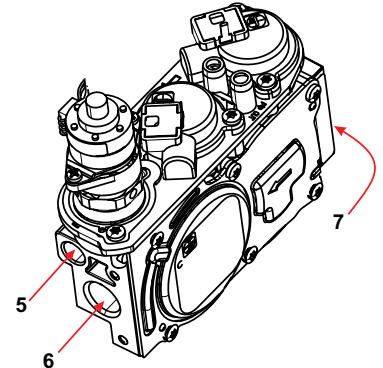
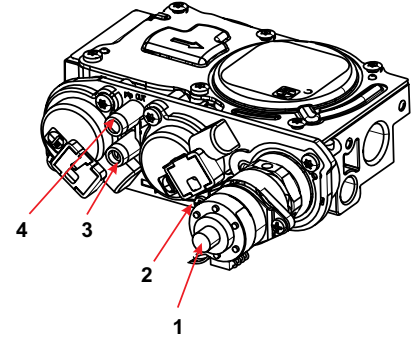
The manifold pressure is controlled by a regulator built into the gas control, and should be checked at the pressure test point.

Note: To properly check gas pressure, both inlet and manifold pressures should be checked using the valve pressure ports on the valve.

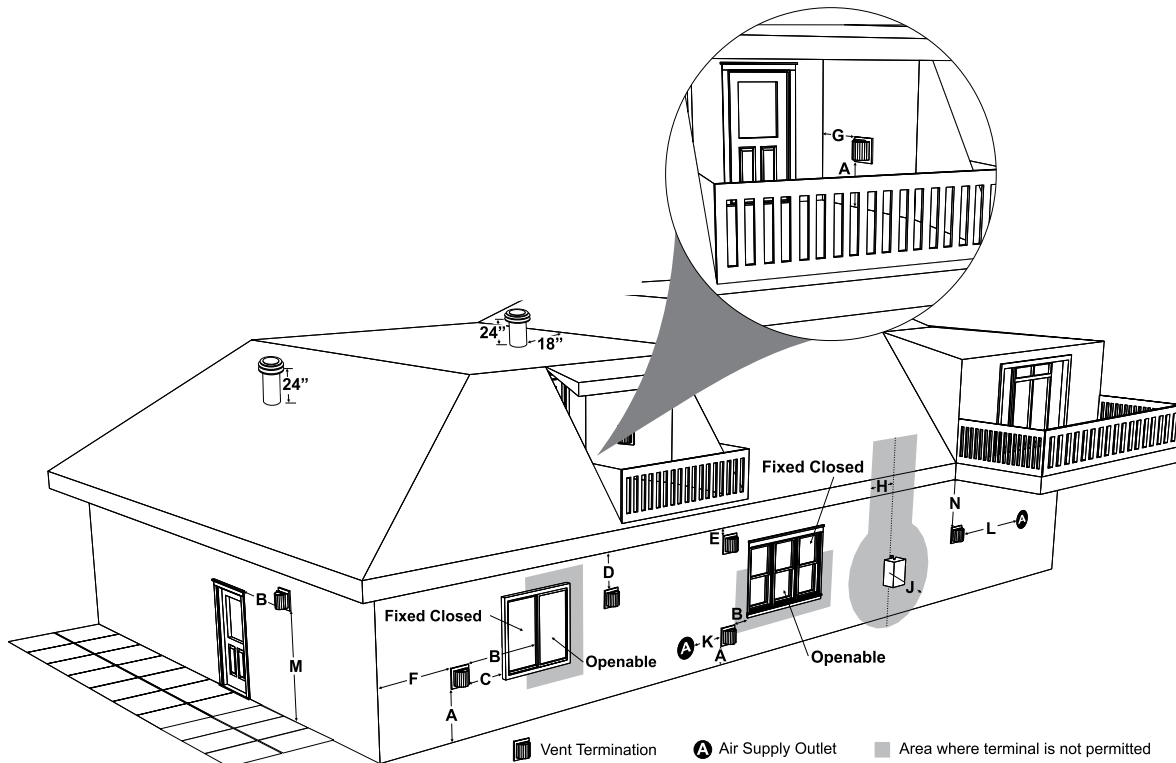
- 1 Make sure the unit is in the "OFF" position.
- 2 Loosen the "IN" and/or "OUT" pressure tap(s), turning counterclockwise with a 1/8" wide flat screwdriver.
- 3 Attach manometer to "IN" and/or "OUT" pressure tap(s) using a 5/16" ID hose.
- 4 Turn the unit on with the remote or wall switch
- 5 The pressure check should be carried out with the unit burning and the setting should be within the limits specified on the safety label.
- 6 When finished reading manometer, turn off the unit, disconnect the hose and tighten the screw (clockwise) with a 1/8" flat screwdriver. Note: Screw should be snug, but do not over tighten.

885 S.I.T. Valve Description

- 1) 6 Stage flame adjustment
- 2) Pilot adjustment
- 3) Outlet Pressure Tap
- 4) Inlet Pressure Tap
- 5) Pilot Outlet
- 6) Main Gas Outlet
- 7) Main Gas Inlet



Exterior Vent Termination Locations (Power Vent)



	Minimum Clearance Requirements	Canada¹	USA²
A	Clearance above grade, veranda, porch, deck, or balcony	12"(30cm)	12"(30cm)
B	Clearance to window or door that may be opened	12"(30cm)	9" (23cm)
C	Clearance to permanently closed window	*	*
D	Vertical clearance to ventilated soffit located above the terminal within a horizontal distance of 2 feet (61cm) from the center line of the terminal (check with the local code)	29"(74cm)	29"(74cm)
E	Clearance to unventilated soffit	29"(74cm)	29"(74cm)
F	Clearance to outside corner: with PowerVent Termination Cap (End of Line) Clearance to outside corner: with AstroCap Termination Cap (Inline)	7"(18cm)	7"(18cm)
G	Clearance to inside corner: with PowerVent Termination Cap (End of Line) Clearance to inside corner: with Astro Cap Termination Cap (Inline)	7"(18cm)	7"(18cm)
H	Clearance to each side of center line extended above meter/regulator assembly	36"(90cm) ^a	*
J	Clearance to service regulator vent outlet	36"(90cm)	*
K	Clearance to non-mechanical air supply inlet to building or the combustion air inlet to any other appliance	12"(30cm)	9" (23cm)
L	Clearance to a mechanical air supply inlet #3' (91cm) above if within 10' (3m) horizontally.	72"(1.8m)	36"(90cm) ^b
M	Clearance above paved sidewalk or a paved driveway located on public property	84"(2.1m) [†]	*
N	Clearance under veranda, porch, deck, or balcony	12"(30cm) [‡]	*

¹ In accordance with current CSA B149.1, *Natural Gas and Propane Installation Code*

² In accordance with the current *ANSI Z223.1/NFPA 54, National Fuel Gas Code*

[†] A vent shall not terminate directly above a sidewalk or paved driveway which is located between two single family dwellings and serves both dwellings

[‡] Permitted only if veranda, porch, deck, or balcony is fully open on a minimum of two sides beneath the floor

* Clearance in accordance with local installation codes and the requirements of the gas supplier

^a 3 feet (91cm) within a height of 15 feet (4.5m) above the meter / regulator assembly

^b 3 feet (91cm) above - if within 10 feet (3m) horizontally

installation

4"x 6-5/8" Rigid Pipe Cross Reference Chart (Power Vent)

Components from different Manufacturers may not be mixed. Not All Rigid Pipe components are available directly from FPI.

IMPORTANT : When using the inline Power Vent system & rigid pipe:

Vertical Terminations (Inline): Only Simpson DuraVent rigid pipe is approved for use. Must use the 46DVA-VCH vertical high wind cap as this is the only approved cap.

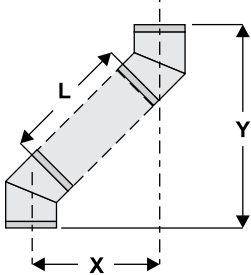
Horizontal Terminations (Inline): Only the 946-523/P Astro horizontal cap may be used in conjunction with any of the vent systems noted below.

Description	Simpson Direct Vent Pro®	Selkirk Direct Temp™	American Metal Products® Amerivent Direct	Metal-Fab™ Sure Seal	Security Secure-Vent®	ICC Excel Direct	Olympia Ventis DV*
High Wind Vertical Cap	46DVA-VCH	N/A	N/A	N/A	N/A	N/A	N/A
Flashing Flat Roof	46DVA-FF	N/A	N/A	N/A	N/A	N/A	N/A
Flashing 0/12-6/12	46DVA-F6	N/A	N/A	N/A	N/A	N/A	N/A
Flashing 7/12-12/12	46DVA-F12	N/A	N/A	N/A	N/A	N/A	N/A
Storm Collar	46DVA-SC	N/A	N/A	N/A	N/A	N/A	N/A
6" Pipe Length-Galvanized	46DVA-06	4DT-6	N/A	4D6	SV4L6	TC-4DL6	VDV-0406
6" Pipe Length-Black	46DVA-06B	4DT-6B	N/A	4D6B	SV4LB6	TC-4DL6B	VDVB-0406
7" Pipe Length-Galvanized	N/A	N/A	4D7	N/A	N/A	N/A	N/A
7" Pipe Length-Black	N/A	N/A	4D7B	N/A	N/A	N/A	N/A
9" Pipe Length-Galvanized	46DVA-09	4DT-9	N/A	N/A	N/A	TC-4DL9	VDV-0409
9" Pipe Length-Black	46DVA-09B	4DT-9B	N/A	N/A	N/A	TC-4DL9B	VDVB-0409
12" Pipe Length-Galvanized	46DVA-12	4DT-12	4D12	4D12	SV4L12	TC-4DL1	VDV-0412
12" Pipe Length-Black	46DVA-12B	4DT-12B	4D12B	4D12B	SV4LB12	TC-4DL1B	VDVB-0412
18" Pipe Length-Galvanized	46DVA-18	4DT-18	4D18	4D18	SV4LA	TC-4DL18	VDV-0418
18" Pipe Length-Black	46DVA-18B	4DT-18B	4D18B	4D18B	SV4LA	TC-4DL18B	VDVB-0418
24" Pipe Length-Galvanized	46DVA-24	4DT-24	4D24	4D24	SV4L24	TC-4DL2	VDV-0424
24" Pipe Length-Black	46DVA-24B	4DT-24B	4D24B	4D24B	SV4LB24	TC-4DL2B	VDVB-0424
36" Pipe Length-Galvanized	46DVA-36	4DT-36	4D36	4D36	SV4L36	TC-4DL3	VDV-0436
36" Pipe Length-Black	46DVA-36B	4DT-36B	4D36B	4D36B	SV4LB36	TC-4DL3B	VDV-0436
48" Pipe Length-Galvanized	46DVA-48	4DT-48	4D48	4D48	SV4L48	TC-4DL4	VDV-0448
48" Pipe Length-Black	46DVA-48B	4DT-48B	4D48B	4D48B	SV4LB48	TC-4DL4B	VDVB-0448
60" Pipe Length-Galvanized	46DVA-60	4DT-60	N/A	N/A	N/A	N/A	N/A
60" Pipe Length-Black	46DVA-60B	4DT-60B	N/A	N/A	N/A	N/A	N/A
Adjustable Length 3"-10"-Galvanized	N/A	N/A	N/A	4DAL	N/A	TC-4DLT	N/A
Adjustable Length 3"-10"-Black	N/A	N/A	N/A	4DALB	N/A	TC-4DLTB	N/A
Adjustable Length 7"-Galvanized	N/A	N/A	4D7A	N/A	N/A	N/A	N/A
Adjustable Length 7"-Black	N/A	N/A	4D7AB	N/A	N/A	N/A	N/A
Extension Pipe 8-1/2"-Galvanized	46DVA-08A	N/A	N/A	N/A	N/A	N/A	N/A
Extension Pipe 8-1/2"-Black	46DVA-08AB	N/A	N/A	N/A	N/A	N/A	N/A
Adjustable Length 12"-Galvanized	N/A	N/A	4D12A	N/A	SV4LA12	TC-4dLSI	N/A
Adjustable Length 12"-Black	N/A	N/A	4D12A	N/A	SV4LBA12	TC-4dLSIB	N/A
Extension Pipe 16"-Galvanized	46DVA-16A	N/A	N/A	N/A	N/A	N/A	N/A
Extension Pipe 16"-Black	46DVA-16AB	N/A	N/A	N/A	N/A	N/A	N/A
45° Elbow-Galvanized	46DVA-E45	4DT-EL45	4D45L	N/A	N/A	TE-4DE45	VDV-EL0445
45° Elbow-Black	46DVA-E45B	4DT-EL45B	4DT-EL45B	N/A	N/A	TE-4DE45B	VDVB-EL0445
45° Elbow Swivel-Galvanized	See 46DVA-E45	N/A	N/A	4D45L	SV4E45	N/A	N/A
45° Elbow Swivel-Black	See 46DVA-E45B	N/A	N/A	4D45LB	SV4EB45	N/A	N/A
90° Elbow-Galvanized	46DVA-E90	4DT-EL90S	4DT-EL90S	N/A	N/A	TE-4DE90	VDV-EL0445
90° Elbow-Black	46DVA-E90B	4DT-EL90SB	4DT-EL90SB	N/A	SV4EBR90-1	TE-4DE90B	VDVB-EL0445
90° Elbow, Swivel-Galvanized	See 46DVA-E90	N/A	N/A	4D90L	SV4E90-1	N/A	N/A
90° Elbow, Swivel-Black	See 46DVA-E90B	N/A	N/A	4D90LB	SV4EB90-1	N/A	N/A
90° Starter Elbow, Swivel-Galvanized	N/A	N/A	N/A	4D90A	N/A	N/A	N/A
Adaptor*	N/A	N/A	N/A	4D90L	N/A	N/A	VDV-AAA04
Ceiling Support	N/A	4DT-CS	4DSP	4DFSP	SV4SD	TM4-RDS	VDV-SCR04
Cathedral Support Box	46DVA-CS	4DT-CSS	4DRSB	4DRS	SV4CSB	TM4-SDS	VDV-CSS04
Wall Support/Band	46DVA-WS	4DT-WS/B	4DWS	4DWS	SV4BM	TM-SWS	VDV-WS04

*Not available at Regency

4"x 6-5/8" Rigid Pipe Cross Reference Chart (Power Vent)

Description	Simpson Direct Vent Pro®	Selkirk Direct Temp™	American Metal Products® Amerivent Direct	Metal-Fab™ Sure Seal	Security Secure-Vent®	ICC Excel Direct	Olympia Ventis DV*
Offset Support	46DVA-ES	4DT-OS	N/A	N/A	SV4SU	TM-SOS	N/A
Wall Thimble-Black	46DVA-WT	4DT-WT	4DWT	4DWT	SV4RSM	N/A	VDV-WPT04
Wall Thimble Support/Ceiling Support	46DVA-DC	N/A	N/A	N/A	SV4PF	N/A	N/A
Firestop Spacer	46DVA-FS	4DT-FS	4DFSP	4DFS	SV4BF	TM-4CS	VDV-FS04
Trim Plate-Black	N/A	4DT-TP	4DFPB	4DcP	SV4LA	TM-4TP	VDV-WTC04
Attic Insulation Shield 12"	46DVA-IS N/A@ FPI	N/A	4DAIS12	DDIS	SV4RSA	N/A	VDV-AIS04
Attic Insulation Shield - Cold Climates 36"	N/A	N/A	4DAIS12	N/A	N/A	TM-4AS	N/A
Wall Firestop	46DVA-WFS	N/A	N/A	N/A	N/A	TM-4TR	VDV-FS04

Offset Pipe Selection: Use this table to determine offset pipe lengths.				
Pipe Length (L)	4" x 6-5/8" Venting			For specific instructions on venting components - visit the manufacturers website listed below. Simpson Direct Vent Pro: www.duravent.com Selkirk Direct-Temp: www.selkirkcorp.com American Metal Products: www.americanmetalproducts.com Metal-Fab Sure Seal: www.mtfab.com Security Secure Vent: www.securitychimneys.com Industrial Chimney Company: www.icc-rsf.com Olympia Ventic DV: www.olympiachimney.com
	Run (X)	Rise (Y)		
0" (0mm)	4-7/8" (124mm)	13-7/8" (340mm)		
6" (152mm)	8" (203mm)	16-1/2" (419mm)		
9" (229mm)	10-1/8" (257mm)	18-5/8" (473mm)		
12" (305mm)	12-1/4" (311mm)	20-3/4" (527mm)		
24" (610mm)	20-5/8" (524mm)	29-1/8" (740mm)		
36" (914mm)	29" (737mm)	37-1/2" (953mm)		
48" (1219mm)	37-7/16" (951mm)	45-15/16" (1167mm)		

installation

Introduction (Power Vent)

IMPORTANT

- The instructions contained in this manual must be read carefully prior to installation of this appliance.
- 120 Volt AC power is required for this appliance to operate. A receptacle box, receptacle, and cover are provided. See the "Wiring the Unit" section in this manual. Electrical power must be brought to the appliance by a licensed electrician.

The City 50 Series power vent system is designed to allow the installation of this gas appliance when typical vent configurations (Non-Power Vent Direct Vent Systems With no Fan Assist) are not possible due to excessive offsets, long or negative vent runs, etc.

When installed as a power vent appliance, this unit is designed to use flex or rigid venting.

NOTES

The City 50 models come with a 5" inner and 8" outer collar which must be reduced to 4" inner x 6-5/8" outer (102 mm x 168 mm) in all applications. See required reducers required as per below depending if using rigid/flex pipe.

The Vent Pipe Adaptor must always be used for Power Vent System: See below " Pipe Adaptor & Reducer CHART".

Vent Pipe Adaptor & Reducer Chart		
	Ridge Pipe Adaptor	Flex Pipe Reducer
City 50, 60 & 72 Series	5" x 8" Adaptor (770 - 994)	4" x 6 5/8" Reducer (946 - 758)
	4" x 6 5/8" Collar Reducer (946 - 606)	

NOTES

- Rigid pipe is approved for up to 72 feet (21.95 m).
- Flex pipe is approved for up to 40 feet (12.19 m) using 2 X 946-756-- 20 foot (6.10 m) flex kits.

There are two options available when installing this unit as a power vent appliance:

- End of line flush horizontal power vent system (Part #946-535): flush power vent fan acts as the termination cap and sits flush to the outside wall. Allowed for horizontal termination only.
- Inline power vent system (Part #666-945): power vent fan terminal is incorporated into the vent run - allows for both horizontal and vertical termination.

This unit may be terminated vertically or horizontally using the Power Vent Systems available. See the following pages for various vent configurations using rigid or flex & vertical or horizontal terminations. The instructions contained in this manual must be read carefully prior to installation.

Vent Restrictor Position

	City 50 Series, City 60 Series City 72 Series	City 40 Series	
In_Line	Full open	Full open	
End_Line	Full open	1" Open	
Restrictor Position			

Note: For specific installation instructions for both In line and End of line, see power vent system instruction manual which may be found in the QR code located below. The following pages in this manual will only detail allowable vent configurations for both inline and end of line vent power vent systems. Part # of the Power Vent System manual is 920-544.



Power Vent System Manual

Minimum Vent Clearances to Combustibles

Horizontal Top	3" (76mm)
Horizontal Side	2" (51mm)
Horizontal Bottom	2" (51mm)
Vertical Vent	2" (51mm)

Vent Chart for Power Vent Only

Horizontal Terminations - Inline Horizontal Vent Chart - Rigid/Flex

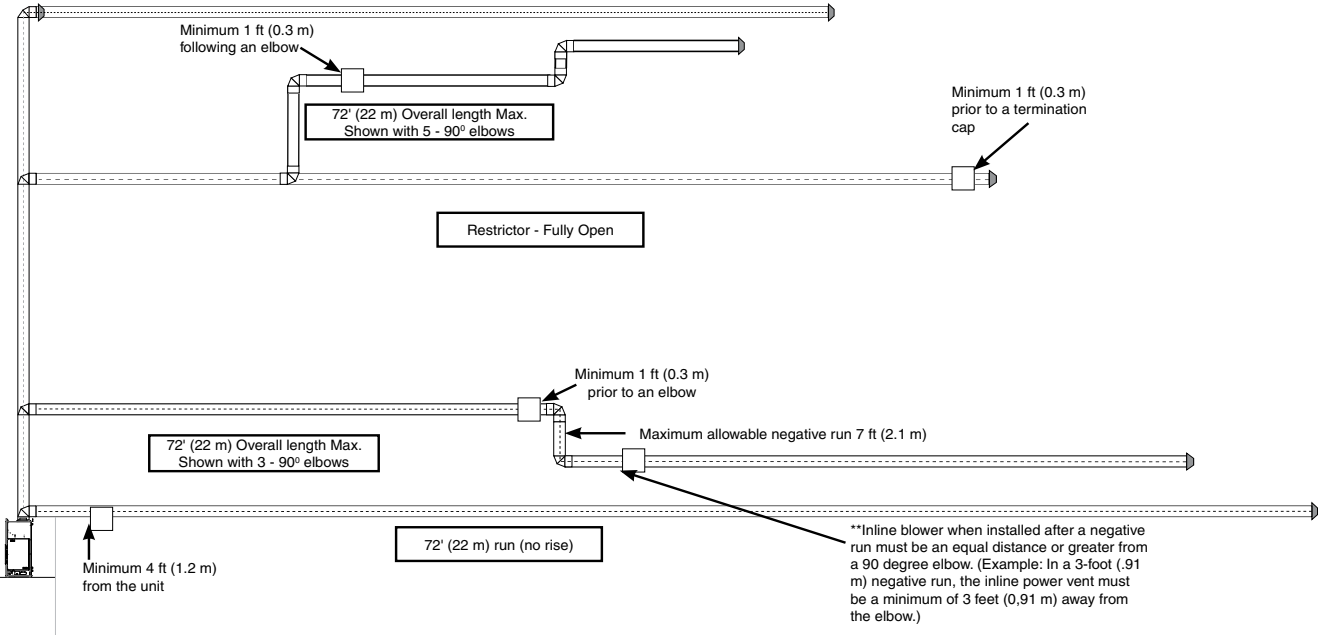
This section is for the Power Vent System installation. For a detailed installation information, refer Power Vent System installation instructions that comes with the Power Vent Kit. When you install the Power vented fireplace, you need one of the following Power Vent System Kit depending your venting layout. For the complete Power Vent installation, refer the Power Vent System installation instruction in Power vent system Kit.

In line Power Vent Kit # 666-945

RIGID PIPE: MUST USE RIGID PIPE ADAPTOR 770-994 AND 946-606 PIPE REDUCER TO 4" X 6 5/8" (102 mm x 168 mm).
 FLEX VENT: MUST USE REDUCER 946-758 TO 4" X 6 5/8" (102 mm x 168 mm).

- NOTES**
- Rigid pipe is approved for up to 72 feet (22 m).
 - Flex pipe is approved for up to 40 feet (12.2 m) using two 20 foot (6.1 m) flex kits (part # 946-756).
 - This model comes with a 5" (127 mm) inner and an 8" (203 mm) outer collar which must be reduced to 4" x 6-5/8" (102 mm x 168 mm) in all applications.
 - Must be terminated horizontally. Vertical terminations are not permitted.

The gas power vent system is designed to allow the installation of a gas appliance when typical vent configurations (shown in this manual) are not possible.

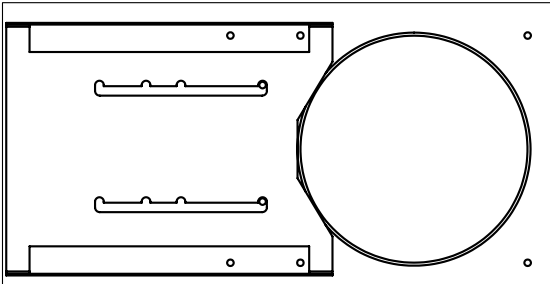


- IMPORTANT**
- **Maximum total vent length (based on overall length of combined chimney components) = 72' (22 m)**
 - **Maximum total negative vent length = 7' (2.1 m).**
 - **Do not run positive venting after a negative run.**
 - **Maximum of six - 90° elbows permitted.**
 - **One 90° elbow = two 45° elbows.**
 - **Minimum 4' (1.2 m) from the unit prior to terminating.**

Inline power vent location restrictions:
 Minimum 4 ft (1.2 m) from the unit
 Minimum 1 ft (0.3 m) prior to an elbow.
 Minimum 1 ft (0.3 m) following an elbow.
 Minimum 1 ft (0.3 m) prior to a termination cap.
 When the inline blower is installed after a negative run, for every foot of negative run the inline blower must be an equal distance or greater from the 90-degree elbow. See example above.

Vent Restrictor Position

No vent restrictor required.



Set 0
 Fully open
 Factory Set

installation

Vent Chart for Power Vent Only

Horizontal Terminations - End of Line Horizontal Vent Chart - Rigid/Flex

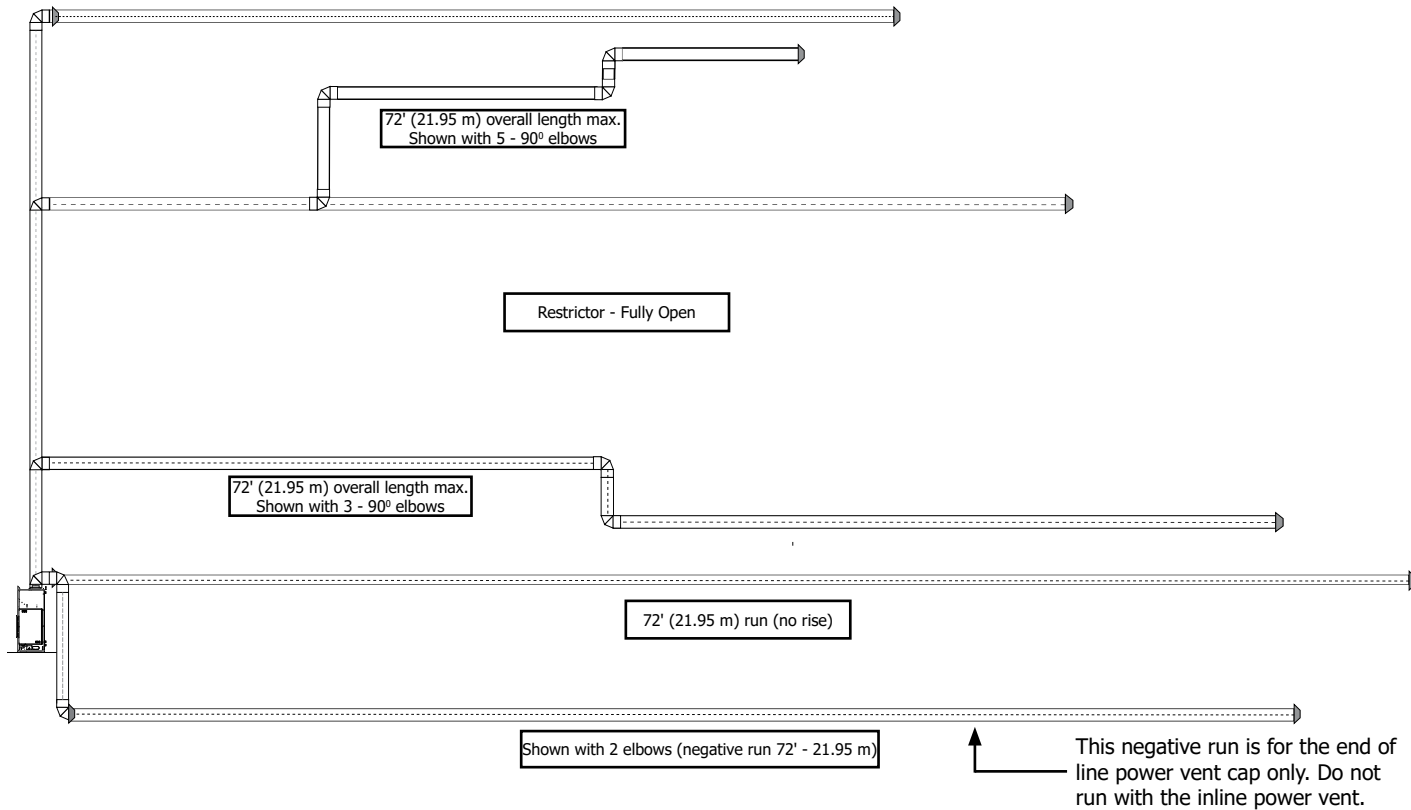
For the complete Power Vent installation, refer the Power Vent System installation instruction in Power vent system Kit **End of Line Power Vent Kit # 946-535**

RIGID PIPE: MUST USE RIGID PIPE ADAPTOR 770-994 AND 946-606 PIPE REDUCER TO 4" X 6 5/8" (102 mm x 168 mm).

FLEX VENT: MUST USE REDUCER 946-758 TO 4" X 6 5/8" (102 mm x 168 mm).

- NOTES**
- Rigid pipe is approved for up to 72 feet (22 m).
 - Flex pipe is approved for up to 40 feet (12.2 m) using two 20 foot (6.1 m) flex kits (part # 946-756).
 - This model comes with a 5" (127 mm) inner and an 8" (203 mm) outer collar which must be reduced to 4" x 6-5/8" (102 mm x 168 mm) in all applications.
 - **Must be terminated horizontally. Vertical terminations are not permitted.**

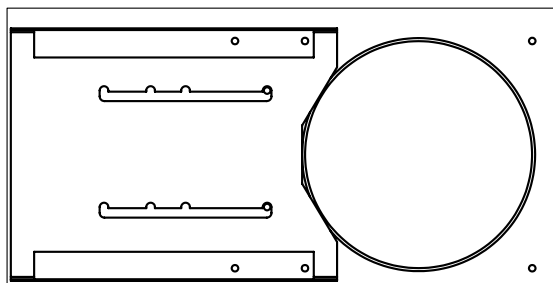
The gas power vent system is designed to allow the installation of a gas appliance when typical vent configurations (shown in this manual) are not possible.



- IMPORTANT**
- **Maximum total vent length (based on overall length of combined chimney components) = 72' (21.95 m)**
 - **Maximum total negative vent length = 7' (2.1 m).**
 - **Do not run positive venting after a negative run.**
 - **Maximum of six - 90° elbows permitted.**
 - **One 90° elbow = two 45° elbows.**
 - **Minimum 4' (1.2 m) from the unit prior to terminating.**

Vent Restrictor Position

No vent restrictor required.



Set 0
Fully open
Factory Set

Vent Chart for Power Vent Only
Vertical Terminations - Inline Power Vent - Rigid/Flex

In line Power Vent Kit #666-945
Vertical venting with straight vertical venting and or with a max. of six (6) 90° Elbows (1 - 90° = 2 - 45°)

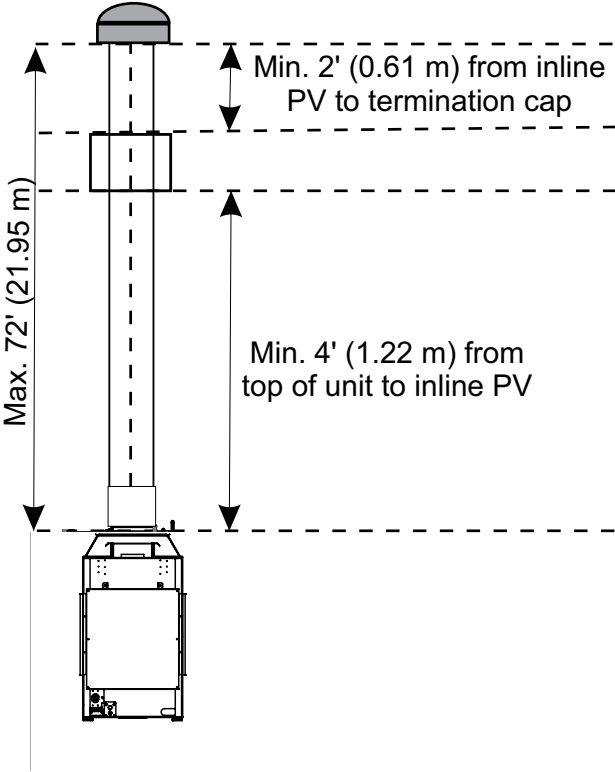
- NOTES**
- Rigid pipe is approved for up to 72 feet (22 m).
 - Flex pipe is approved for up to 40 feet (12.2 m) using one 20 foot (6.1m) 20 foot Vertical Flex kit (part # 946-755) & one 20 foot (6.1 m) extension flex kit (part # 946-756).

- Two 45° elbows equal to one 90° elbow.
- Vent must be supported at offsets.
- Minimum distance between elbows is 1 ft. (0.3 m).
- Maintain clearances to combustibles as listed in the "Clearances" section.
- Horizontal vent must be supported every 3 feet (0.91 m).
- Firestops are required at each floor level and whenever passing through a wall.

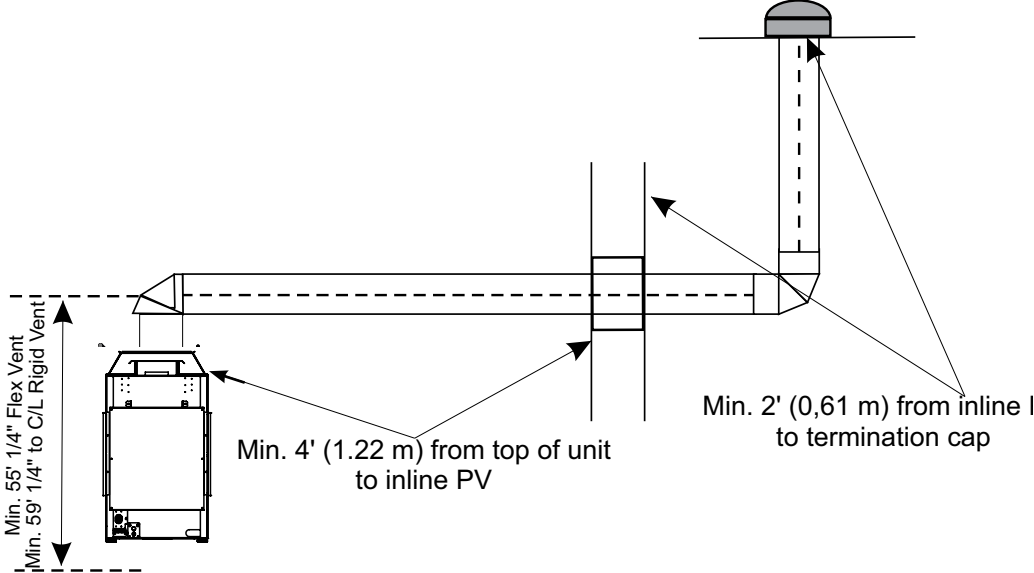
Restrictor set on 0 (fully open) regardless of vent run.

- Inline power vent location restrictions:**
- Minimum 4 ft (1.2 m) from the unit.
 - Minimum 1 ft (0.3 m) prior to an elbow.
 - Minimum 1 ft (0.3 m) following an elbow.
 - Minimum 2 ft (0.6 m) prior to a termination cap.
 - Minimum 2 ft. from inline PV to termination cap.
 - Minimum 4' from top of unit to inline PV.
 - Max. of 72' (22 m), using up to six 90° elbows (Example shows two 90° elbows).
 - No negative runs.

NOTE • The inline power vent must be installed within the confines of the home/structure.



Max. of 72' (21.95 m), using up to six 90° elbows (Note: two 90° elbows shown.)



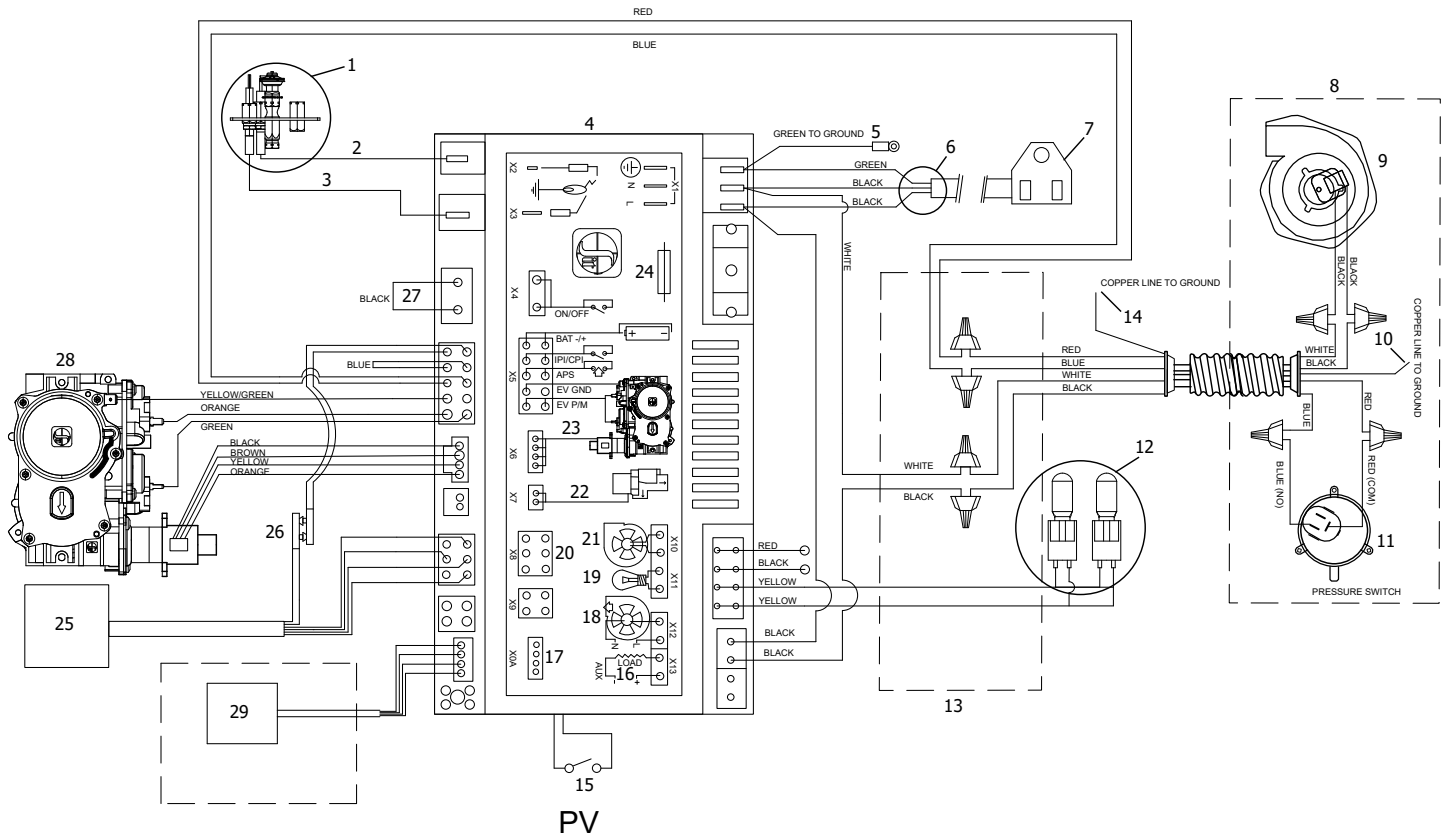
installation

Wiring Diagram - Power Vent Application

Power Vent Model: 120VAC Power is required to operate unit when installed as a power vent.
 This appliance will not operate if 120 volt power is lost within the home.

CAUTION

- Label all wires prior to disconnection when servicing controls. Wiring errors can cause improper and dangerous operation.
- Ensure that the wires do not touch any hot surfaces and are away from sharp edges.
- This appliance is equipped with a three-prong (grounding) plug for protection against shock hazard and should be plugged directly into a properly grounded three-prong receptacle. Do not cut or remove the grounding prong from the plug.
- Electrical power must be brought to the appliance by a licensed electrician. Do not cut the ground terminal off under any circumstances.



Item	Part #	Description
1	911-280	Pilot Assembly NG
	911-280	Pilot Assembly LP
	W840470	Pilot Gasket (not shown)
2	911-110	Spark Electrode
3	911-111	Flame Sensor Electrode
4	911-311	PFI IFC Board
5	N/A	Green to Ground
6	911-344	Power Harness w/ Aux Connector
7	911-253-ASM	Main Power
8	946-535/666-945	Power Vent
9	911-305/P (Inline)	Fan Motor

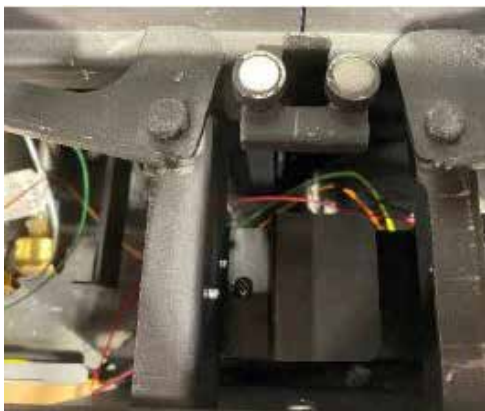
Item	Part #	Description
	911-244/P (End of Line)	
10	N/A	Copper Line to Ground
11	911-112 (Inline)	Pressure Switch
	911-112/P (End of Line)	
12	911-208	Light Housing Assembly (Bulb Not included)
13	666-138	Electrical Shielding Box
14	N/A	Copper Line to Ground
15	911-314	PV Switch
16	N/A	Load

Item	Part #	Description
17	N/A	Diagnostic Interface
18	N/A	Combustion Blower
19	N/A	Lamp
20	N/A	User Interface
21	N/A	Comfort Fan
22	N/A	Split Flow
23	N/A	Motor
24	911-182	Fuse 3.15 amp Fast Acting
25	911-337/P	Battery Holder
26	911-181	Battery Connection
27	911-193	Connector w/ Jumper
28	911-188	Gas Valve NG
28	911-189	Gas Valve LP
29	946-799	SIT WIFI Dongle Kit

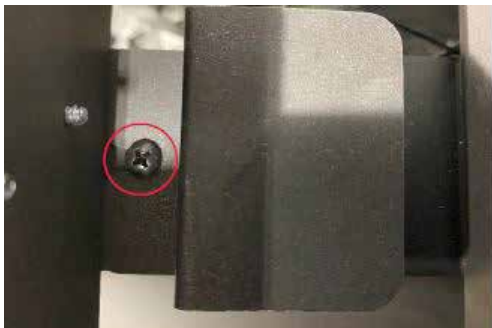
Non Power Vent/Power Vent Switch

NOTE To access the switch, remove the screw and pull the cover off as shown below.

1. Locate the power vent switch cover.



2. Remove the screw and pull the cover off.



3. Flip the switch to power vent mode (O) as shown.

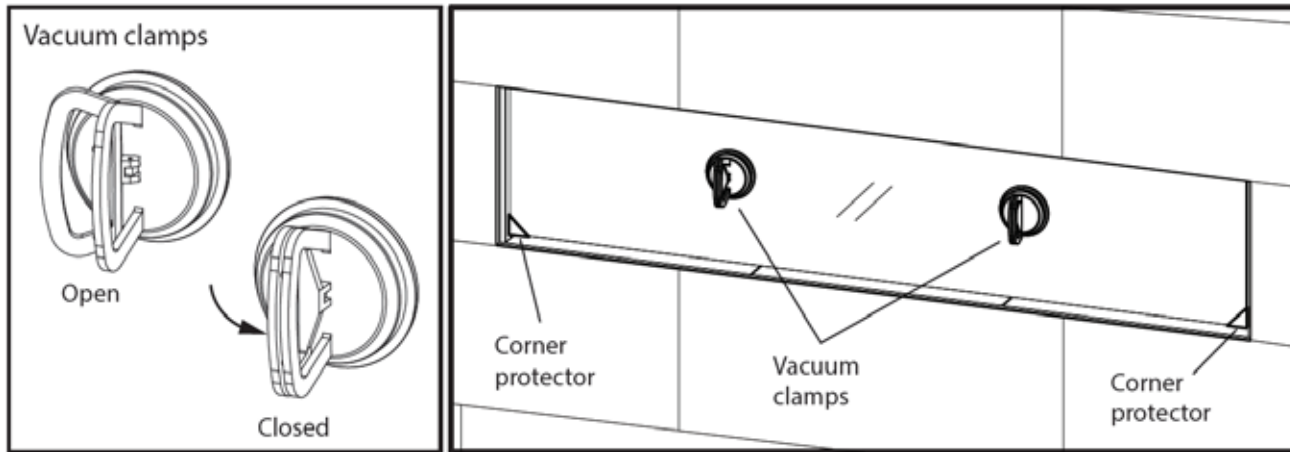


installation

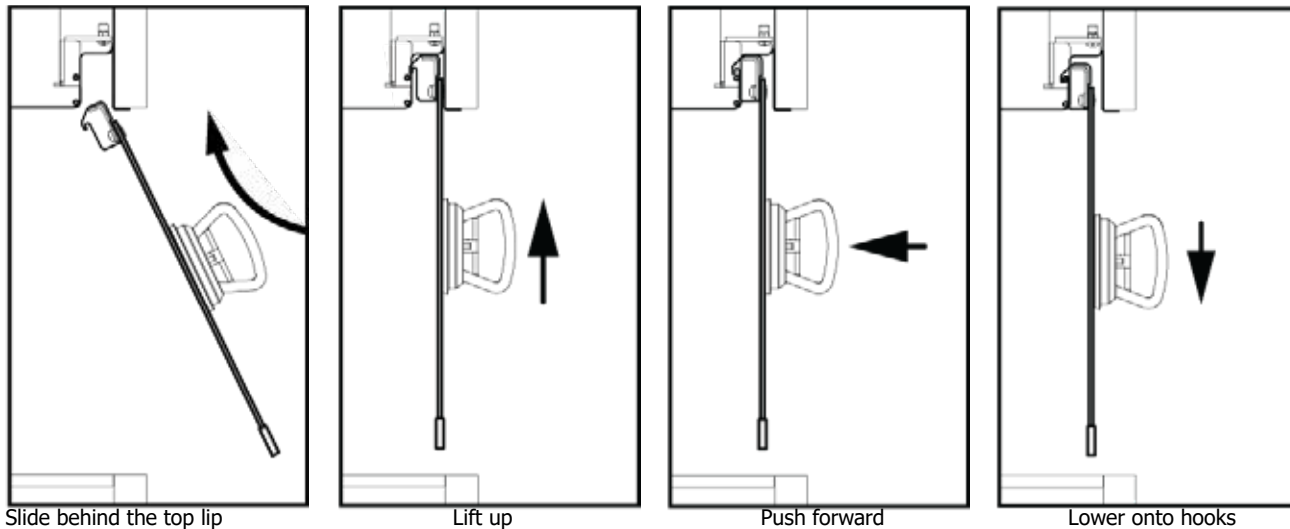
Glass Barrier Installation

Glass Safety Barrier Removal:

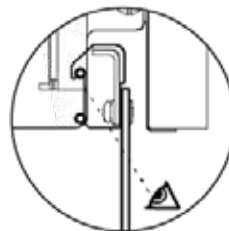
1. Ensure the fireplace is operating properly and all firebox glass and liner panels are installed prior to installing the glass safety barrier.
2. Remove the protective peel from the glass safety barrier and clean the inner surface. Identify the hooks on the glass safety barrier; these indicate the inner surface.
3. Attach the vacuum clamps to the glass as shown on the outer surface. Press the vacuum clamps against the glass, then close the clamps while maintaining pressure on the glass.
4. Slide the corner protectors onto the bottom corners of the glass.



5. Holding the glass barrier in front of the unit, slide it up behind the top lip of the unit. Lift the barrier up as far as it goes, then hook the barrier onto the unit.



6. Visually inspect that hooks are sitting over their pins and that the glass is sitting level and centered in the opening.
7. Remove the vacuum clamps and corner protectors.
8. To remove the glass, see the owner's manual.



[Glass barrier removal video](#)

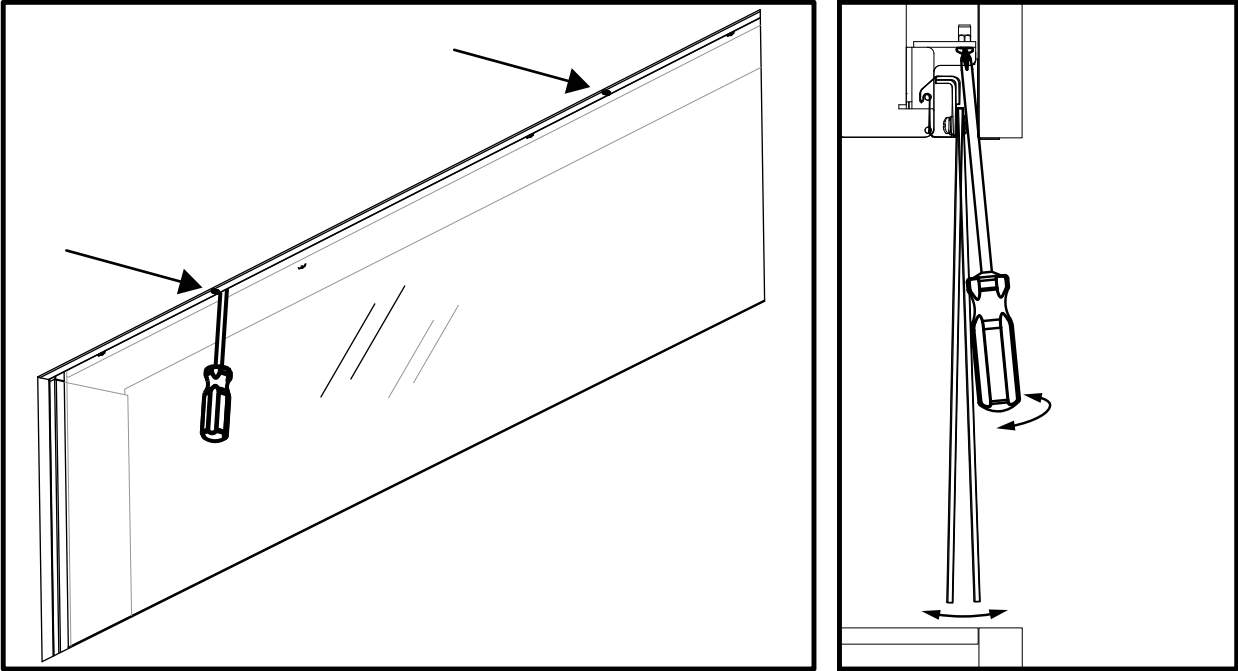


Glass Barrier Adjustment

If glass isn't hanging straight, use a phillips screwdriver to adjust the angle.

Clockwise = angles barrier out toward you

Counter clockwise = angles barrier in towards the unit.



Slide the screwdriver straight up at the two indicator slots.

**THIS CONVERSION MUST BE DONE BY A QUALIFIED GAS FITTER
IF IN DOUBT DO NOT DO THIS CONVERSION!**

WARNING

This conversion kit shall be installed by a qualified service agency in accordance with the manufacturer's instructions and all applicable codes and requirements of the authority having jurisdiction. If these instructions is not followed exactly, a fire, explosion or production of carbon monoxide may result causing property damage, personal injury or loss of life. The qualified service agency is responsible for the proper installation of this kit. The installation is not proper and complete until the operation of the converted appliance is checked as specified in the manufacturer's instructions supplied with the kit.

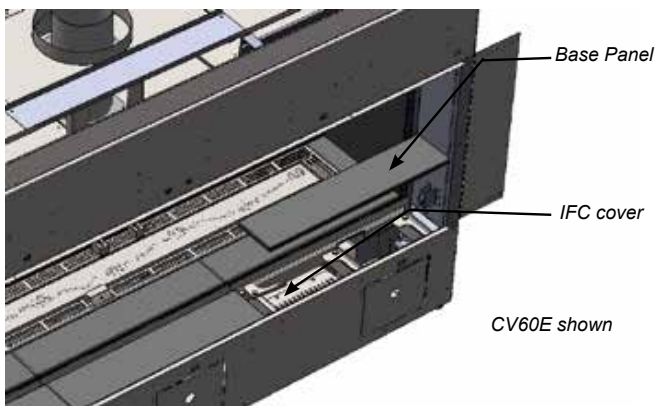
Conversion Kit 482-969 includes:

1	911-191	Stepper Motor LP for 885 SIT
1	905-064	Orifice #52
1	910-037	Pilot Orifice #30
1	918-590	Decal - Conversion to LP
1	908-528	Label Propane
1	904-529	5/32" long Allen Key
1	920-708	Instruction Sheet

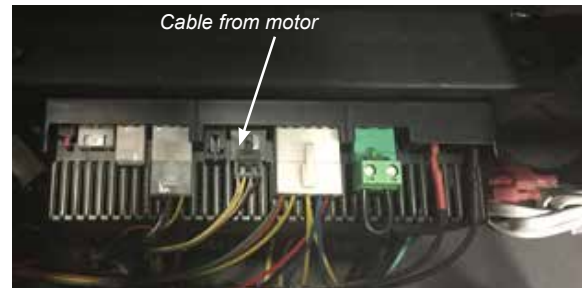
Caution: The gas supply shall be shut off prior to disconnecting the electrical power, before proceeding with the conversion.

Always let the appliance cool to room temperature before servicing.

1. Remove the outer panels and safety glass — see manual.
2. Remove inner firebox glass — see manual.
3. Remove inner panels — see manual.
4. Remove all media installed on burner (glass, logs or stones, etc).
5. Lift off the far right base panel and loosen 2 screws on IFC cover-removed cover to access IFC.



6. Disconnect the Cable coming from the Pressure Regulator Motor.



7. Remove and discard 2 Pressure regulator screws (A) using a (T20 or slot screwdriver,) Pressure Regulator (B) and Spring and Diaphragm (C) (see below).

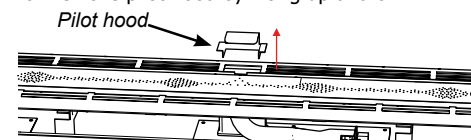
8. Ensure the rubber gasket, which is prefitted as part of the Assembly, is properly positioned. Install the new Pressure Regulator using the 2x M4 x .7 screws supplied. Tighten the screws to 25lb-in. In the event that the screw threads are cross threaded or stripped, replace the valve assembly.

Install the enclosed propane identification label to the valve body where it can be easily seen.

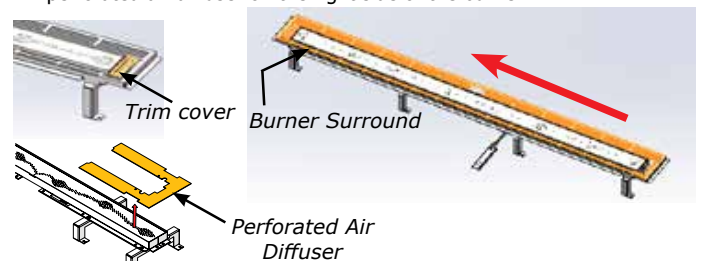


9. Re-attach the Pressure Regulator wire (disconnected in Step 6), and resituate the IFC, secure the screws that fasten the IFC Mounting Brackets.

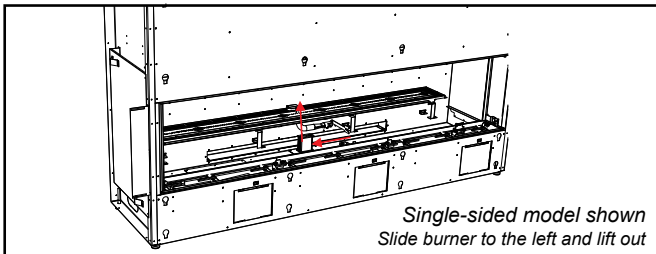
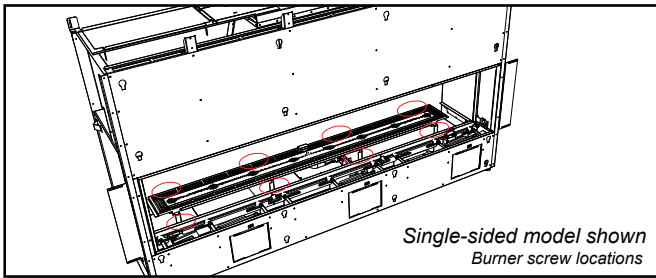
10. Remove pilot hood by lifting up and off.



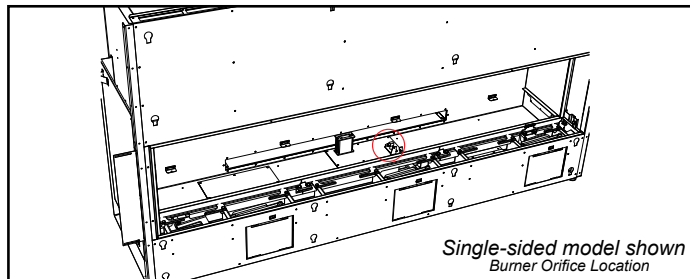
11. Remove the trim cover on right side of burner by lifting off. Also remove the burner surround by sliding to the left and lifting off. Also remove the perforated air diffuser on the right side of the burner.



12. Loosen 8 screws in locations shown below (4 at front and 4 at rear)—slide burner to the left away from the orifice and lift out.



13. Remove burner orifice with a 3/8" wrench. Use another wrench to hold on to the elbow behind the orifice. Discard orifice. Reinstall new burner orifice LPG stamped #52 and tighten.



14. Remove pilot retainer clip with pliers and pull off the pilot cap to expose the pilot orifice.



Pilot retainer clip



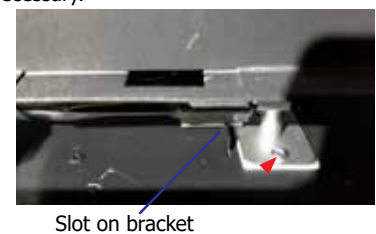
15. Unscrew the pilot orifice with the Allen key; then replace with the LPG pilot orifice and the pilot cap, provided in the kit.



16. Reinstall pilot cap and pilot retainer clip.

17. Prior to installing burner—adjust aerations settings - to 3/8" for LP. Reinstall burner (see Step 11).

18. Make sure aeration cap tab is inserted into the slot on the bracket. Adjust aeration handle if necessary.



19. Reverse steps 1 to 11.

20. Ensure the pilot light is in the correct orientation to the burner. Reconnect the gas and electrical supplies. Start the appliance (see section on Lighting Instructions). Ensure that pilot and burner ignition are completed without delay. Check inlet and outlet pressures at full load. With a soapy solution, leak test the entire system. Verify correct flame and pilot appearance.

21. See Gas Pipe Pressure Testing in manual.

City Series LP SYSTEM DATA	
Min. Supply Pressure	11" WC (2.73kpa)
Manifold Pressure - High	10.5" WC (2.62 kpa)
Manifold Pressure - Low	2.9" WC (0.72 kpa)
Orifice Size	#52 DMS
Maximum Input	33,000 Btu/h (9.67 kW)
Minimum Input	17,000 Btu/h (4.98 kW)
Altitude	0-4500 ft (0-1372m)

Installer Notice:
These instructions must be left with the appliance.

installation

Inner Black Steel/Enamel Panel Installation (Part #482-907/482-908)

BEFORE YOU START

Black Enamel Panels

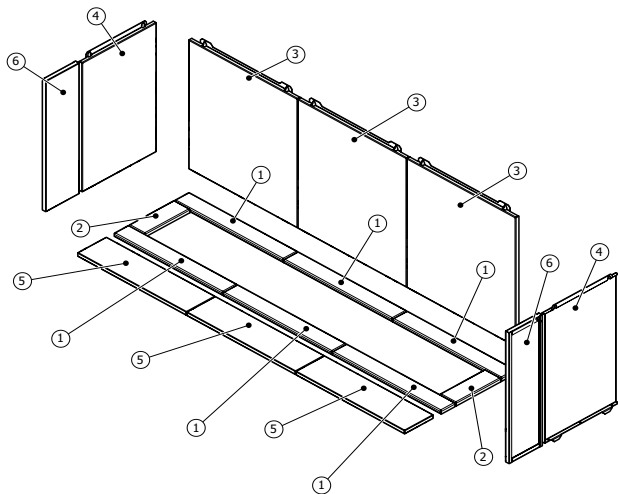
- Black Enamel panels must be inspected for scratches and dimples prior to installation. All claims to be recorded at this time. Claims for damage after installation will not receive consideration.
- Black Enamel panels will discolor a little during normal operation. This is normal and should not be considered a defect.
- All hand and finger marks **MUST** be cleaned off with a soft cloth. Use an ammonia based cleaner (ie. glass cleaner) to remove any fingerprints before applying heat to the unit.
- **Failure to do this will result in burn stains on panels which you will be unable to remove.** Not protected by product warranty.

Sheet metal components may have sharp edges. Please handle with care. The enamel panels require an insulation panel installed behind them. Failure to do so may result in an elevated operating temperature and premature failure of the appliance. The Insulation panels may contain fibre glass or ceramic elements. These may become airborne or stick to carpets and/or clothing. Handle with caution.

The use of work gloves and dust masks is recommended when handling panels and insulation.

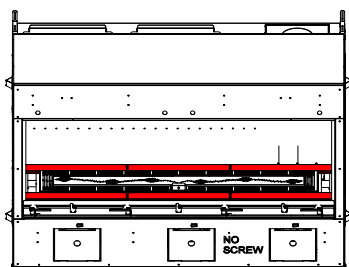
Turn off gas and power to unit and allow to cool to room temperature. Remove the safety glass and firebox glass at one side only (whichever is accessible)— see manual for instructions.

1. Identify panels and the order of their installation.

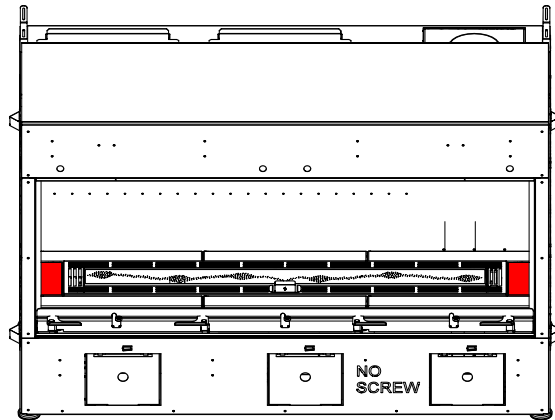


- #1 x 6 2-3/16" (56 mm) x 16-1/4" (412 mm)
- #2 x 2 2-1/4" (57 mm) x 6-3/4" (171 mm)
- #3 x 3 16-7/32" (412 mm) x 17-11/16" (449 mm)
- #4 x 2 11-1/16" (281 mm) x 17-11/16" (449 mm)
- #5 x 3 4-5/16" (110 mm) x 16-1/4" (412 mm)
- #6 x 2 5" (127 mm) x 17-7/8" (454 mm)

2. Place the six #1 panels into the firebox as shown below.

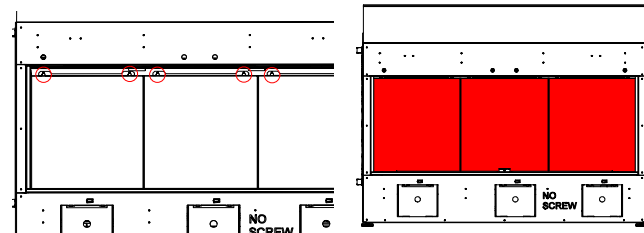


3. Drop the two #2 panels into the firebox on the left and right ends as shown below.

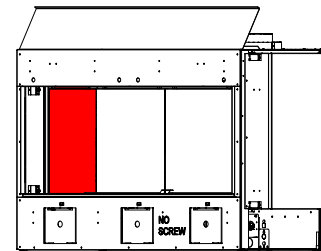
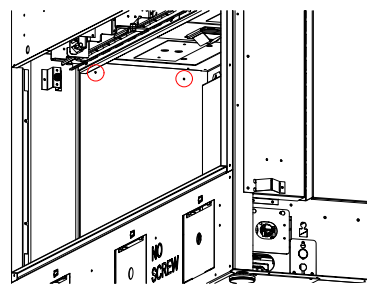


4. Install the 5 screws loosely and install the three #3 panels in the rear of the firebox.

Note: The back panel on the right side when looking at the appliance is held in place with one screw.

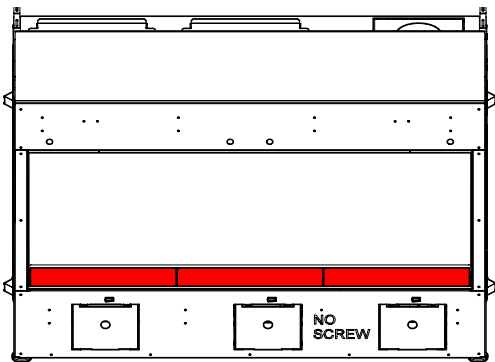


5. Install the 2 screws loosely on the sides of the firebox and place the two #4 side panels in the sides of the firebox as shown below.

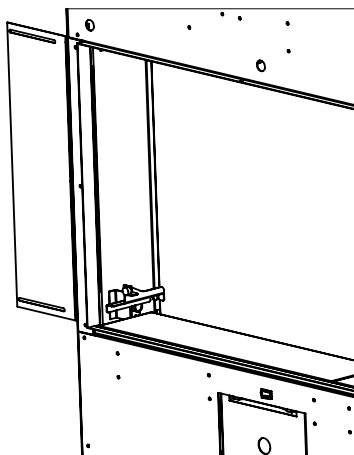


6. Clean panels with a cloth. Add the desired media or logs before installing the inner firebox glass. See this manual for instructions on how to install the firebox glass.

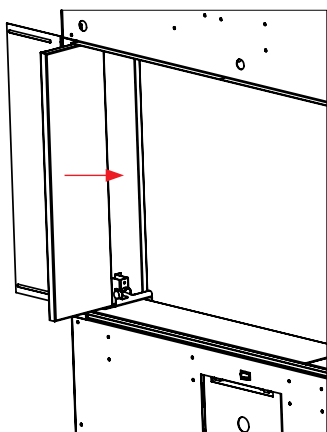
7. Install the 3 #5 panels as shown below.



8. Slide the glass barrier stopper in as shown below.



9. Slide the side #6 outer panels between the wall and the barrier stopper bracket. Repeat steps to install the remaining three #6 outer panels using a barrier stop where required.



10. Clean the outer panels with a cloth before installing the safety outer barrier glass. To install the safety glass, see this manual for instructions.

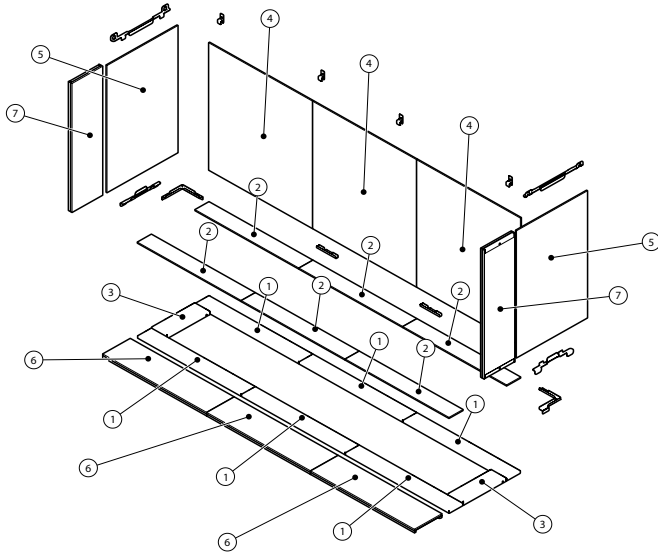
installation

Inner Black Glass Panel Installation (Part #482-906)

1. Turn off power and gas to unit and allow to cool to room temperature. Remove the safety glass and firebox glass at one side only (whichever is accessible)— see manual for instructions.

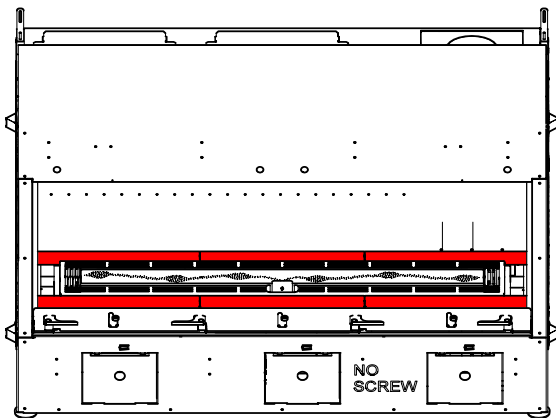
Note: The screws to secure all clips mentioned in these instructions are on the appliance already. Simply remove and reinstall.

2. Identify panels and order of installation.

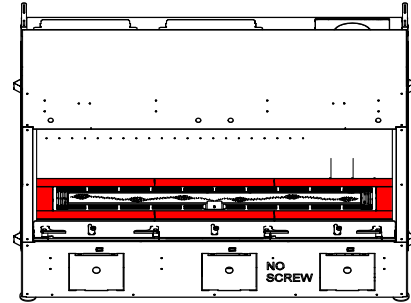


Item	Qty	Description
1	6	2-3/16" (56 mm) x 16-1/4" (412 mm) steel panel
2	6	2-3/16" (56 mm) x 16-1/4" (412 mm) glass panel
3	2	2-1/4" (57 mm) x 6-3/4" (171 mm) steel panel
4	3	16-7/32" (412 mm) x 17-11/16" (449 mm) glass panel
5	2	11-1/16" (281 mm) x 17-11/16" (449 mm) glass panel
6	3	4-5/16" (110 mm) x 16-1/4" (412 mm) combined panel
7	2	5" (127 mm) x 17-7/8" (454 mm) combined panel

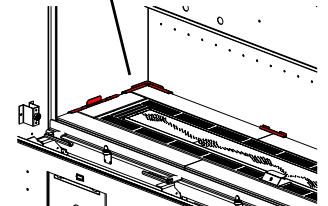
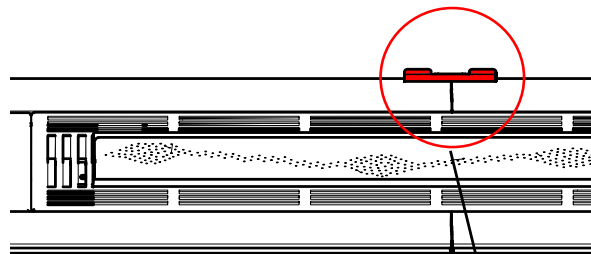
3. Drop the 6 #1 inner steel panels into the firebox as shown below.



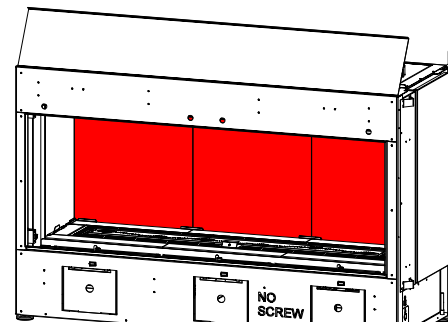
4. Drop the 6 #2 inner glass panels in. The glass panels should be on top of the steel panels. Install the 2 #3 inner side steel panels to the ends of the burner.



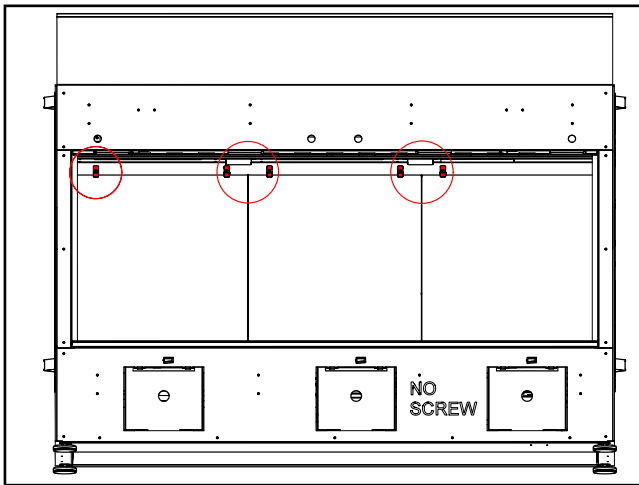
5. Install the bottom rear bracket and side brackets on both sides as shown below.



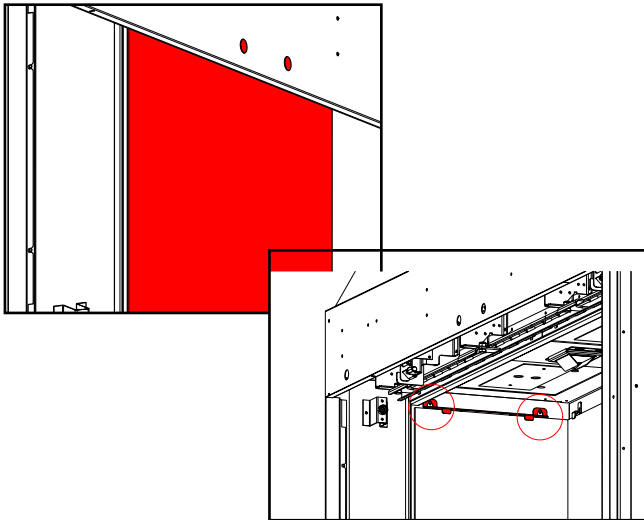
6. Slide the three #4 rear glass panels into the bottom rear and corner brackets.



7. Secure the rear glass by mounting top bracket as shown below.

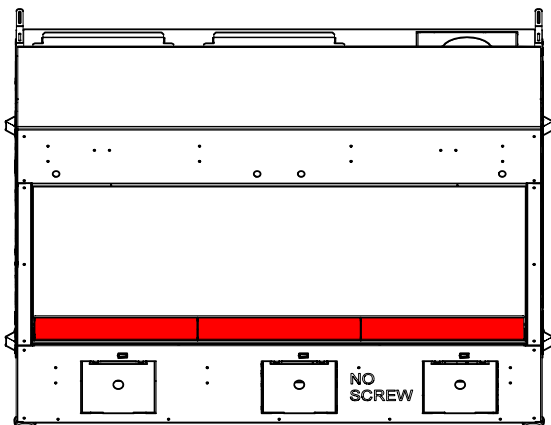


8. Slide the side glass panel #5 into the bottom side bracket and secure the side glass by mounting the top bracket and tightening the 2 screws. Do for both sides.

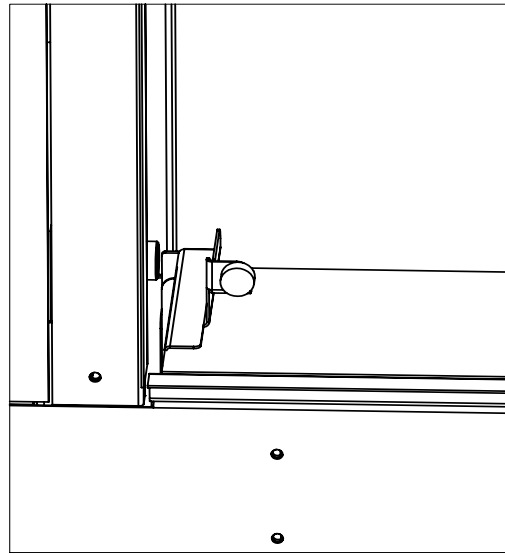


9. Clean panels with a cloth. Add desired media or logs before installing the inner firebox glass. See this manual for instructions on how to install firebox glass.

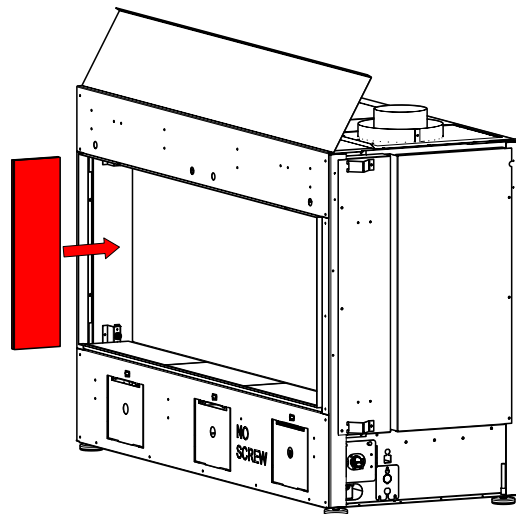
10. Install the 3 #6 outer front panels as shown below.



11. Optional: install the glass barrier stopper. If the unit doesn't have a glass stopper, proceed to the next step.



12. Slide the side outer #7 glass panels between the wall and the barrier stopper bracket. If the unit does not have a barrier stopper, stick the side outer panels to the magnets.

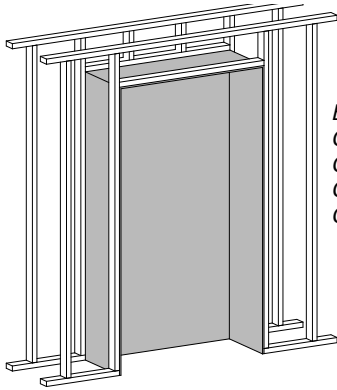


13. Clean the outer panels with a cloth before installing the safety outer barrier glass. To install the safety glass, see this manual for instructions.

installation

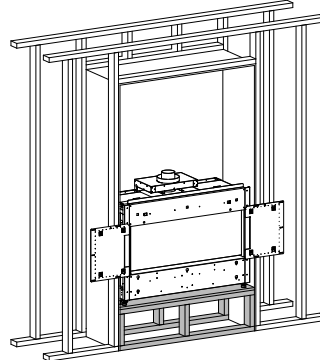
Extended View Panel Installation

1. Construct the sealed rear enclosure to specified width shown below and desired height (see unit manual for detailed framing instructions).

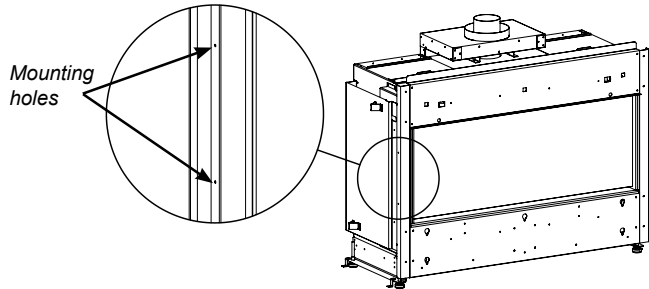


Enclosure Width:
CV40E - 46-3/4" (1187mm)
CV50E - 54-3/8" (1381mm)
CV60E - 65-11/16" (1668mm)
CV72E - 78" (1981mm)

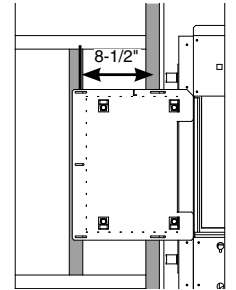
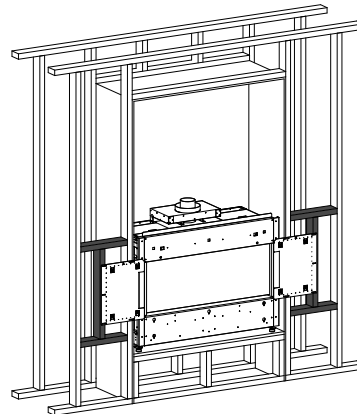
4. Move unit into framed opening at desired height and level unit on all sides. Connect gas and electrical (see manual).



2. Locate mounting holes in locations shown below and remove nailing strips (if already installed).



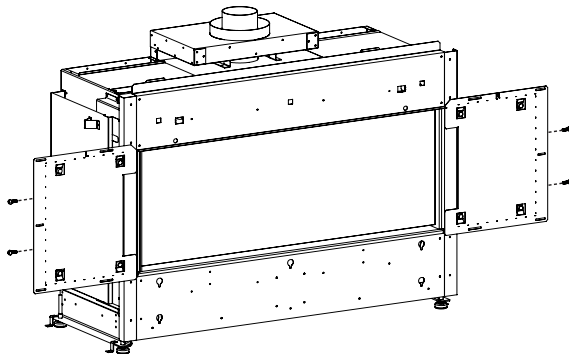
5. Install a second stud as shown. The distance from first to second stud should be 8-1/2"



8.5" from stud center to stud center

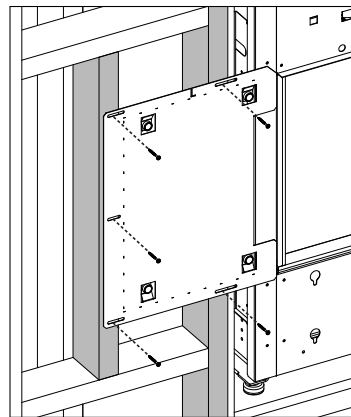
Install second stud--8.5" out from first stud

3. Attach left and right base panels using 2 screws on each side. Remove drywall finishing edge from right and left sides of window opening using supplied right-angle screwdriver.



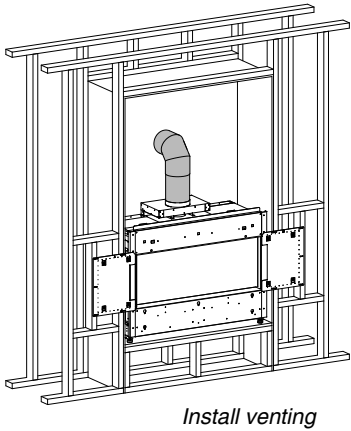
Attach base panels

6. Secure base panels in place with 5 screws on each side.

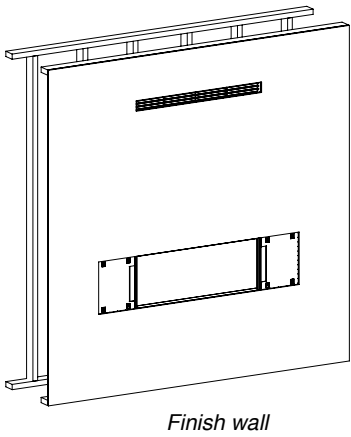


Secure base panels

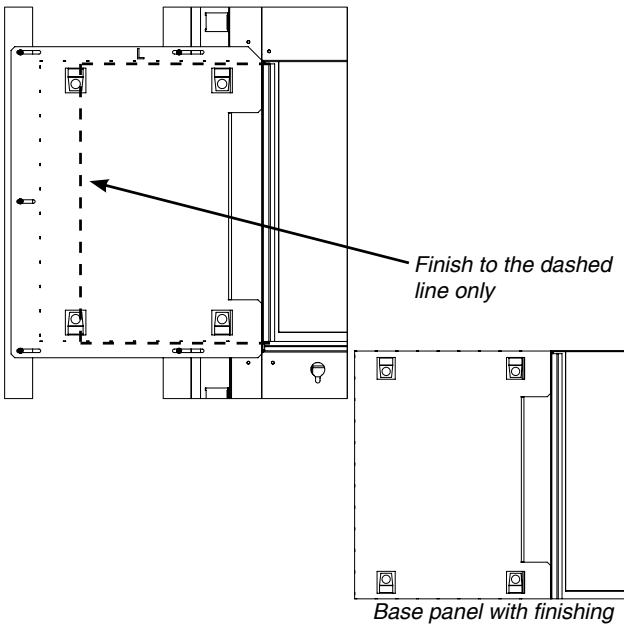
7. Install venting before proceeding (see unit manual for details).



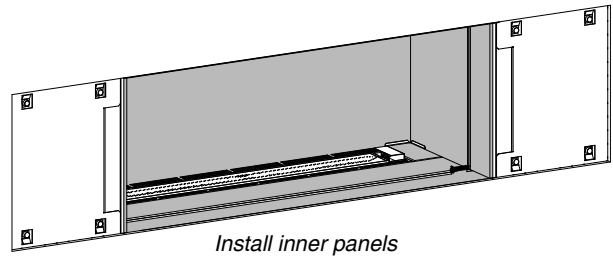
8. Finish the wall with desired finishing material and install rear enclosure venting (see manual for finishing/venting requirements).



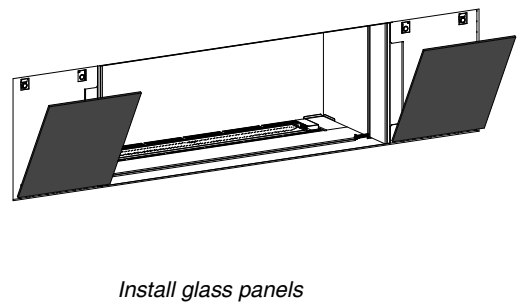
9. Finish up to the dashed line on the base part—**DO NOT** finish past this line.



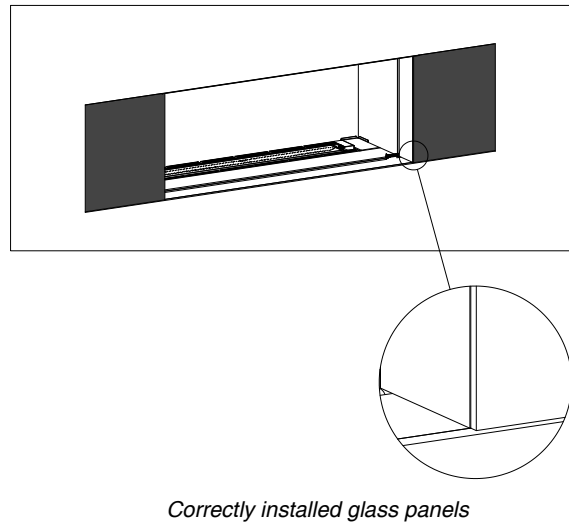
10. Install inner panels (refer to instructions in unit manual).



11. Install glass panels onto base panels (glass panels are secured in place with magnets).



12. Glass panels should overlap with outer side liner panel as shown below.

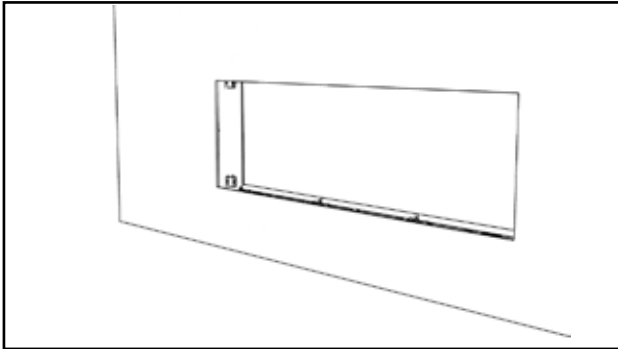


NOTE: Remove side liner panel and extended view panel to access firebox.

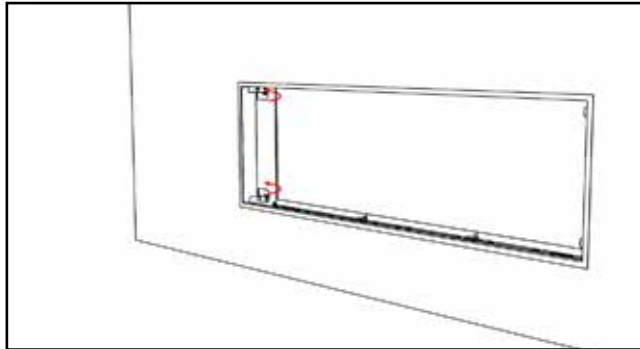
installation

Clean Trim Faceplate Installation

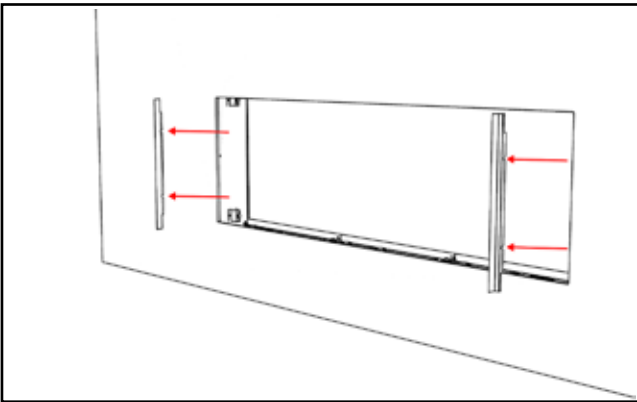
1. Frame in fireplace and install finishing material. Clean trim faceplate can accommodate finishing materials of 1/2" (13 mm) to 1 1/8" (29 mm).



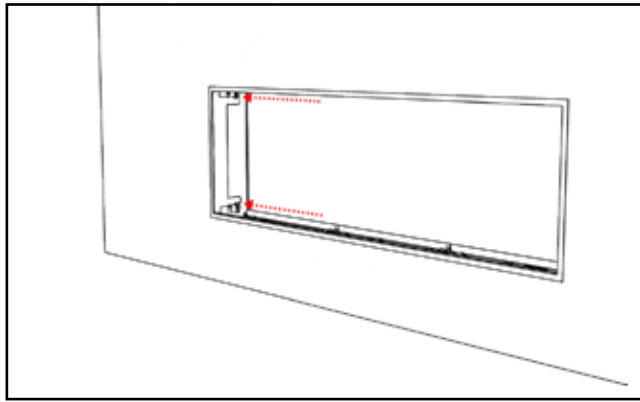
4. Hand bend attachment tabs so they bend past the magnets to the mounting bracket.



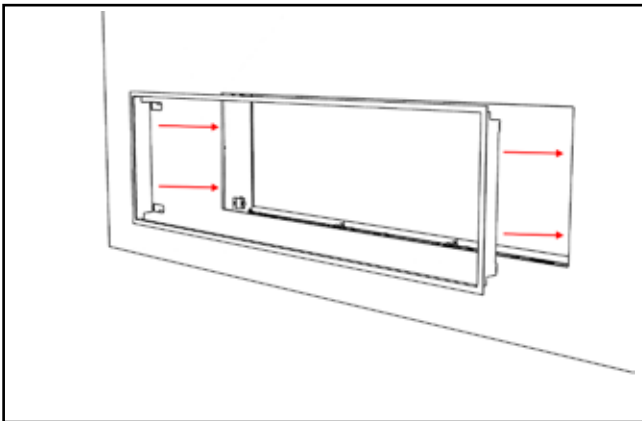
2. Prior to installing outer liner panels and barrier glass, remove finishing trim plates from right and left sides.



5. Affix clean trim faceplate with self-tapping screws included in the box.



3. Insert clean trim faceplate into fireplace opening.



Burner and Firebox Media Options

NOTE

- Regardless of options chosen, fireglass must be installed on the burner in all cases.

IMPORTANT

- Use supplied, approved media only with your fireplace. Use of other media can alter the unit's performance and cause damage, which is not covered under warranty.
- When using ceramic spa/volcanic stones, use glass crystals/beads as a base. **DO NOT** overstack ceramic spa stones or volcanic stones on burner or in the pilot area. Media must be installed on and around the burner in the amounts noted below.
- Spread the media evenly over the burner. Ensure the glass/stones do not overlap excessively as this will affect the flame pattern.

CV50E & CB50E approved media*	Where Used	Quantity
Fireglass (starfire, copper or black)	On burner	1.5 lbs
Glowing embers/sea wool (supplied with unit)	On burner	1 bag
Crushed glass coal black 3/4"	Around burner	2 boxes (7 lbs)
Crushed glass iceberg chips	Around burner	2 boxes (7 lbs)
Firebeads	Around burner	7 lbs
River pebbles	Around burner	1 box
Ceramic spa stone	Around burner	3 boxes
Embers lava	Around burner	6 packages
Volcanic stones/ivory tan basalt natural or slate/grey basalt natural	Around burner	1.5 boxes (22 lbs)
3/4" Andiron Black Embers**	Around burner	2 boxes (2 lbs)

*Install river pebbles, firebeads, and 3/4" crushed glass around the burner only.

* Media not supplied with unit - must be purchased separately.

Media should only cover up to a maximum of 50% of the burner surround.

**Maximum of 30 pcs 3/4" Andiron Black Embers can be added on the burner.



3/4" Andiron Black Embers + Fireglass



Black Coal Crushed Glass + Fireglass



Lava Embers + Fireglass

installation



Firebeads + Fireglass



Crushed Glass Iceberg Chips + Fireglass



Ceramic Spa Stones + Fireglass



River Pebbles and Fireglass



Volcanic, Ivory/Tan Basalt, + Natural Stones + Fireglass

Optional Driftwood Log Set Installation

Read the instructions below carefully and refer to the images. If the logs are broken, do not use them in the unit until they are replaced. Broken logs can interfere with pilot operation.

Improper positioning of the logs may create carbon build-up and alter the unit's performance, which is not covered under warranty.

*Dark brown paint is included if touch ups are required.

Driftwood Log Set



Birchwood Log Set

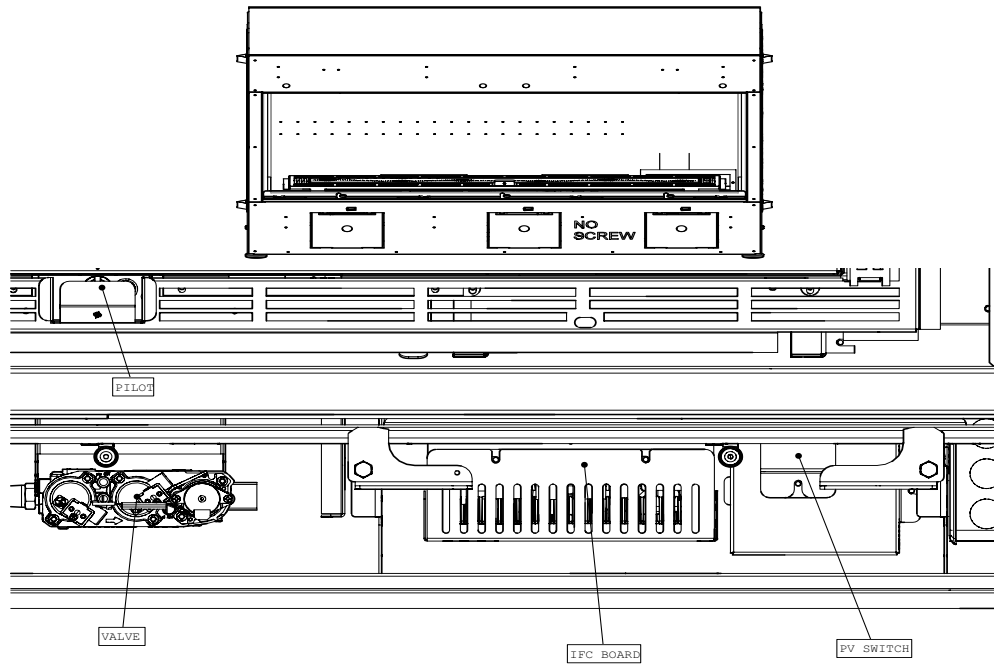


1. Shut off the gas and electrical supply and allow the unit to cool to room temperature.
2. Remove the barrier glass (if already installed) and firebox glass (see manual).
3. Carefully remove the logs from the packaging and unwrap them. The logs are fragile; handle with care. Never force them into position.

Accessories	
1	Logs 1-11 (each log's number appears on its underside)
2	1.5 lb Black Fireglass (purchased separately from log set)
3	Glowing Wool (supplied with unit)
4	3/4" Crushed black glass or iceberg chips (purchased separately from log set) or Andirion embers
Volcanic stones cannot be used with the driftwood log set.	

installation

4. The next steps are done at side A of the unit, where the valve and IFC board are located.



5. Install black fireglass (1.5 lb) and glowing wool on the burner as shown below.



6. Locate the hole on the burner surround, on the left side of the pilot. Insert the pin underneath Log 1 into the hole on the burner surround.



7. Lay the log on the firebox. Ensure the bottom left end of the log is 7/8" away from the edge of the firebox.



8. Locate the hole on the right side of the pilot.



9. Insert the pin of Log 2 into the hole. Lay the log on the firebox, then measure the edge of the log to the side as shown below.

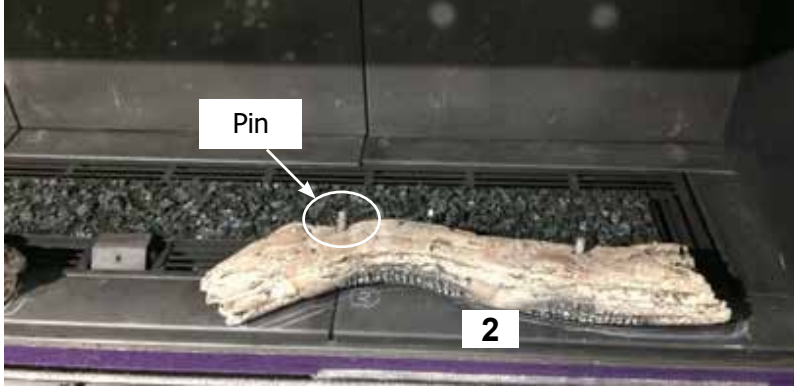


10. Connect Log 3 to the pin on Log 1. Rest Log 3 on the landing on Log 1.

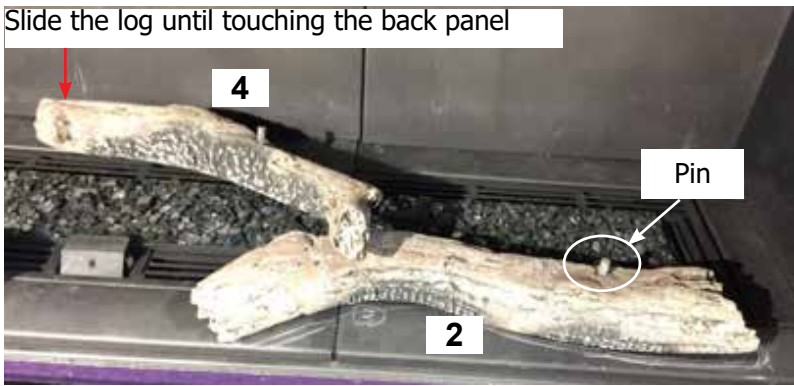


installation

11. Connect Log 4 to the pin on Log 2.



Slide the log until touching the back panel



12. Connect Log 5 to the pin on Log 2.

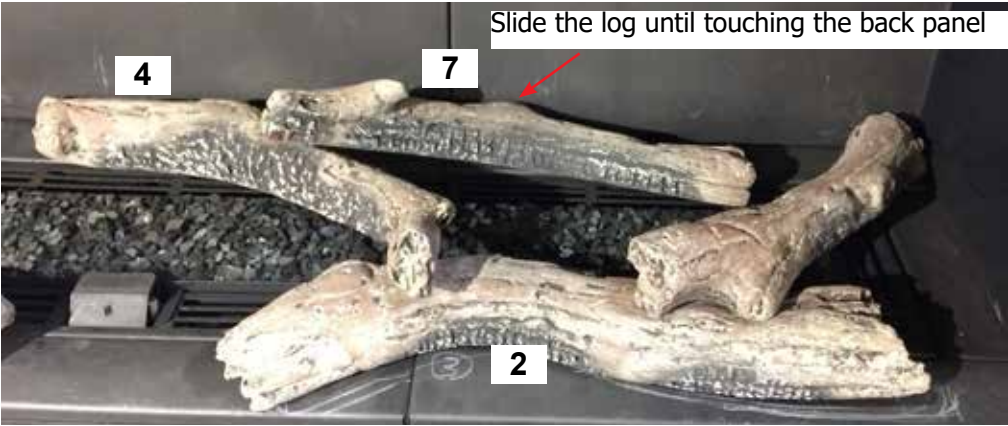
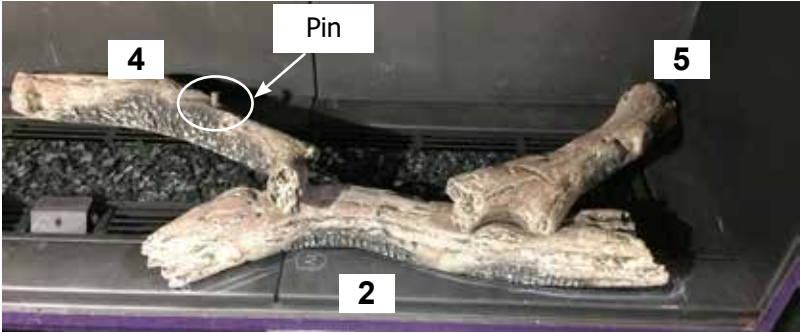
Slide the log until touching the right panel



13. Place Log 6 on top of Log 3, ensuring the pin on Log 3 is aligned with the hole on Log 6, and that Log 6 rests on the landing on Log 3.



14. Place Log 7 on top of Log 4, ensuring the pin on Log 4 is aligned with the hole on Log 7.



15. Install Log 11 on the end Log 7, as shown below.

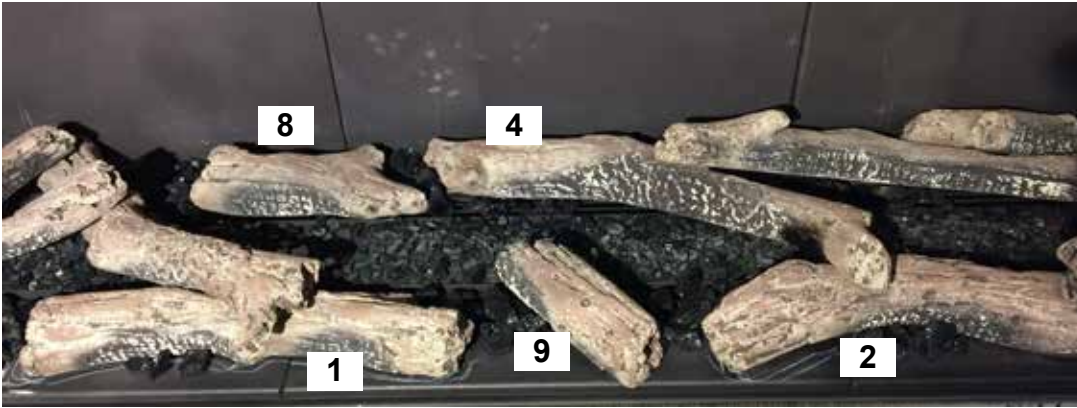


16. Install Log 8 between Log 3 and Log 4, as shown below.



installation

17. Install Log 9 on top of the pilot as shown below.



18. Install Log 10 beside Log 6.



19. Install the 3.5 lb box of black charcoal glass (optional) or 1lb box of Andriron embers (optional) around the burner. **Make sure the burner surround is only 50% covered.**



Correct Coal Placement

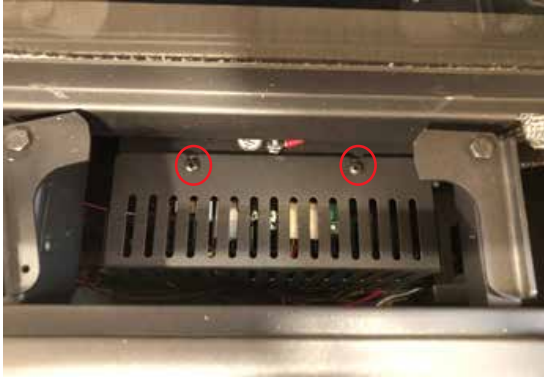


Final Placement

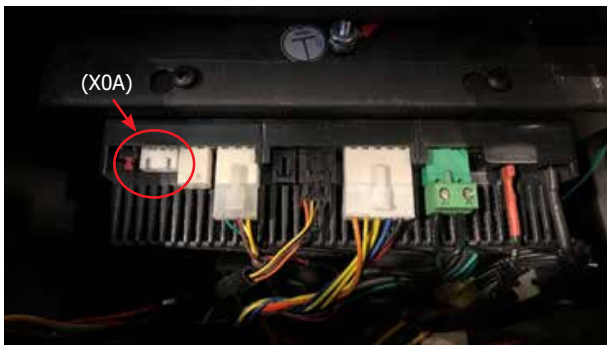
WiFi Dongle Installation (Optional)

Caution: The gas supply shall be shut off to the appliance & 120 Volt AC power must be disconnected, before proceeding with the WiFi Kit Installation.

1. Remove the outer panels and safety glass – see manual.
2. Loosen the 2 screws on the IFC cover and remove the cover to access the IFC.



3. Locate the WiFi dongle connection (X0A) on the left side of the IFC.



4. Line up the tabs on the dongle with the notches on the IFC connection and insert the cable into the connection.



5. Locate the dongle holder on the right side of the IFC. If no dongle holder present, apply the provided Velcro strips to the dongle and stick the dongle onto the closest clamp bracket to the IFC.



6. Slide the dongle into place with the wires at the top.



7. Reinstall the IFC cover and tighten the 2 screws.



8. Reinstall the outer panels and safety glass – see manual.
9. Gas supply can be turned back on & 120 Volt AC power may be reconnected.
10. See QR code below or on box from this WiFi kit to install the Proflame app.



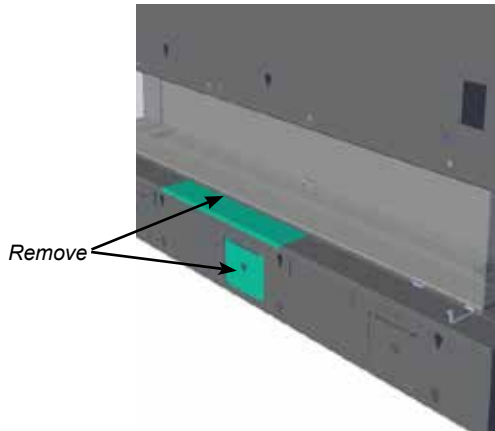
maintenance

Aeration Adjustment

The burner aeration is factory set but may need adjusting due to either the local gas supply or altitude. Open the air shutter for a blue flame or close for a more yellow flame.

Note: If the firebox glass, logs, inner panels, etc. are already installed, the aeration can be adjusted from outside the firebox.

1. Remove the centre access panel on the outer trim, if finishing material is already installed, remove the glass safety barrier and center outer panel--see instructions in this manual.



2. Attach the handle to the aeration lever through the access opening--handle will slide into position on the lever.



NOTE: The aeration handle is located near the right hand side of the gas valve access door -- attached by a magnet.

3. Adjust aeration accordingly.

Pushing lever in -- opens the air shutter.
Pulling the lever outward -- closes the air shutter.

Minimum Air Shutter Opening

NG 3/16"

LP 3/8"

Note: Any damage due to carboning resulting from improperly setting the aeration controls is NOT covered under warranty.

4. Remove the handle by lifting up and out--replace the access door and tighten the 2 screws. Hang the handle back onto the magnet.
5. Reverse to Step 1.

Maintenance Instructions

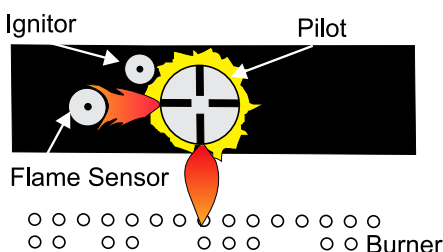
1. Always turn off the gas valve before cleaning. For relighting, refer to lighting instructions. Keep the burner and control compartment clean by brushing and vacuuming at least once a year. When cleaning the logs, use a soft clean paint brush as the logs are fragile and easily damaged.
2. Clean appliance and door with a damp cloth (never when unit is hot). Never use an abrasive cleaner. The glass should be cleaned with a gas fireplace glass cleaner. **The glass should be cleaned when it starts looking cloudy.**
3. The fireplace is finished in a heat resistant paint and should only be refinished with heat resistant paint. Regency® uses StoveBright Paint - Metallic Black #6309.
4. Make a periodic check of burner for proper position and condition. Visually check the flame of the burner periodically, making sure the flames are steady; not lifting or floating. If there is a problem, call a qualified service person.
5. The appliance and venting system must be inspected before use, and at least annually, by a qualified field service person, to ensure that the flow of combustion and ventilation air is not obstructed.

Note: Never operate the appliance without the glass properly secured in place.

6. Do not use this appliance if any part has been under water. Immediately call a qualified service technician to inspect the appliance and to replace any part of the control system and any gas control which has been under water.
7. In the event this appliance has been serviced check that the vent-air system has been properly resealed & reinstalled in accordance with the manufacturer's instructions.
8. Verify operation after servicing.

Flame Pattern

Periodically check the pilot and main burner flames. Correct pilot flame pattern has two strong blue flames: 1 flowing around the flame sensor and 1 flowing across the burner (it does not have to be touching the burner).



Note: If you have an incorrect flame pattern, contact your Regency® dealer for further instructions.

Incorrect flame pattern will have small, probably yellow flames, not coming into proper contact with the rear burner or flame sensor.



Correct main burner flame pattern

General Vent Maintenance

Conduct an inspection of the venting system semi-annually. Recommended areas to inspect as follows:

1. Check the Venting System for corrosion in areas that are exposed to the elements. These will appear as rust spots or streaks, and in extreme cases, holes. These components should be replaced immediately.
2. Remove the Cap, and shine a flashlight down the Vent. Remove any bird nests, or other foreign material.
3. Check for evidences of excessive condensation, such as water droplets forming in the inner liner, and subsequently dripping out the joints. Continuous condensation can cause corrosion of caps, pipe, and fittings. It may be caused by having excessive lateral runs, too many elbows, and exterior portions of the system being exposed to cold weather.
4. Inspect joints, to verify that no pipe sections or fittings have been disturbed, and consequently loosened. Also check mechanical supports such as Wall Straps, or plumbers' tape for rigidity.

Log Replacement

The unit should never be used with broken logs. Turn off the gas valve and allow the unit to cool before opening door and carefully remove the logs. (The pilot light generates enough heat to burn someone.) If for any reason a log should need replacement, you must use the proper replacement log. The position of these logs must be as shown in the diagrams under Log Installation.

Note: Improper positioning of logs may create carbon build-up and will severely alter the unit's performance which is not covered under warranty.

Glass Gasket

If the glass seal on the appliance requires replacement a graphite seal specifically designed for this appliance is required. Part # is 726-556/P for the complete set. These are applied with self adhesive tape.

There is also gasket installed on each side of the inner glass to protect against breakage when installing the glass. Gasket part number is 846-681.

Glass

Your Regency® fireplace is supplied with high temperature 5mm-Tempered outer glass & 5mm-Ceramic inner glass. If your glass requires cleaning, we recommend using an approved glass cleaner available at all authorized dealers. Do not use abrasive materials.

CAUTION & WARNINGS:

- * Do not clean when the glass is hot.
- * The use of substitute glass will void all product warranties.
- * Care must be taken to avoid breakage of the glass.
- * Do not strike or abuse the glass.
- * Do not operate this fireplace without the glass front or with a cracked or broken glass front.
- * Wear gloves and safety glasses when removing damaged or broken glass.
- * Replacement of the glass panels should be done by a licensed or qualified service person.

Glass Replacement

In the event that you break your glass by impact, purchase your replacement from an authorized Regency dealer only. Replacement glass is shipped already installed into the door frame. Reinstall as per Glass Installation in the "Glass Installation" section.

REPLACEMENT GLASS:

CV50E

Outer Safety Glass Front - Tempered (Part# 940-555/P)

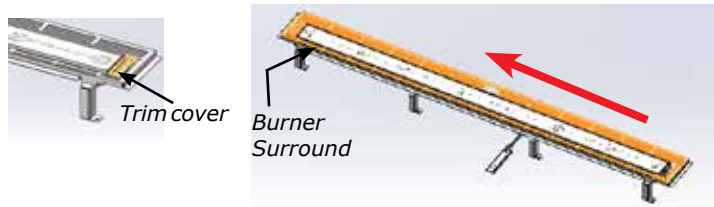
Inner Glass Front - Ceramic (Part# 940-554)

maintenance

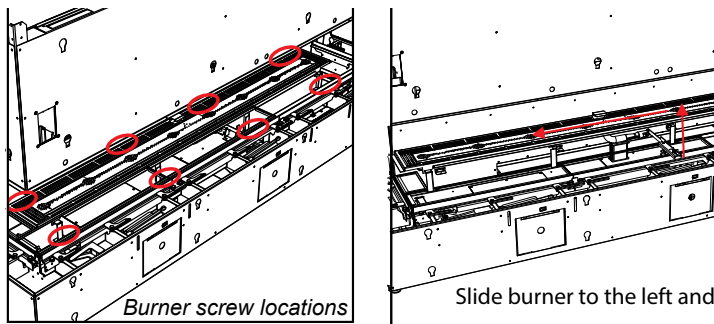
Valve Replacement

Important: Always shut off gas supply/120 volt power prior to servicing the gas valve.

1. Turn off unit and allow to cool to room temperature.
2. Remove outer enamel or steel panels—see instructions in the panel removal section in this manual
3. Remove outer safety (barrier) and inner glass (firebox glass)—see instructions in this manual.
4. Remove all media and logs (if installed) — set aside.
5. Remove inner base panels--see panel section in this manual.
6. Remove the trim cover on right side of burner by lifting off. Also remove the burner surround by sliding to the left and lifting off.

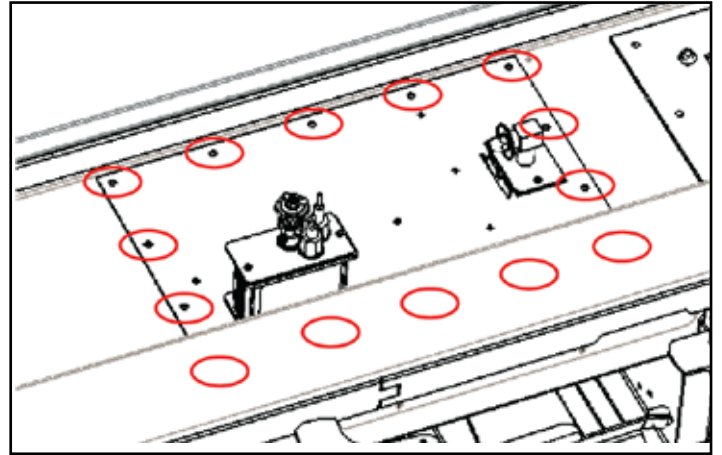


7. Remove 8 screws in locations shown below (4 at front and 4 at rear)—slide burner to the left away from the orifice and lift out.

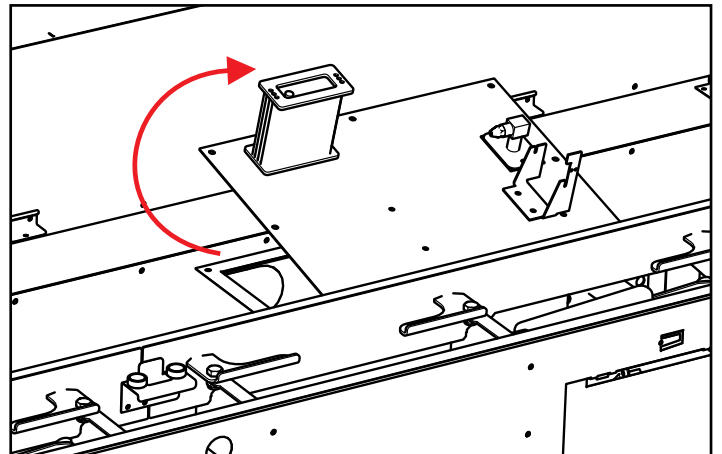


8. Remove 14 screws in locations shown below.

9. Disconnect the Spark Electrode, flame sense & stepper motor from the IFC board (see wiring diagram for location).



10. Lift valve tray out partially and disconnect flexible gas connection on the valve inlet side, remove valve tray- replace with new valve tray & valve assembly gasket.



11. Reverse Steps 10-1 to complete.

Gas Maintenance - Recommended Annual Routine

In order for your Regency appliance to continue to provide comfort to your home periodic maintenance must be performed to ensure it is operating at peak efficiency. The items in the list should be checked by a licensed gas service technician during the annual service check. Your unit may require more frequent maintenance checks if you notice any changes in how it operates. Operational changes to look for can include, but are not limited to, extended start up time, increased fan noise, residue/carbon build up, white build up on the glass/firebox, increased operating noise etc. Should any of these or other conditions arise, discontinue use and schedule a service check with your local licensed gas technician. The list below shows items your licensed service technician will need to check and service at least annually.

Clean

- Glass
- Interior bricks / panels
- Burner ports & burner air shutter
- Fan blades
- Log set
- Pilot orifices
- Pilot hood (change as needed)
- Flame sensor (electronic ignition models)
- Flame electrode
- Burner orifice
- Thermocouple (millivolt models)
- Thermopile (millivolt models)

Inspect

- Pilot assembly
- Burner
- Pressure relief gaskets/doors
- Flue connector gasket if present
- Door seal
- Firebox
- Venting
- Batteries (remote handheld, remote receiver, DC sparker, change as needed)
- Burner media (change as needed)
- Air shutter setting
- Wiring

Check

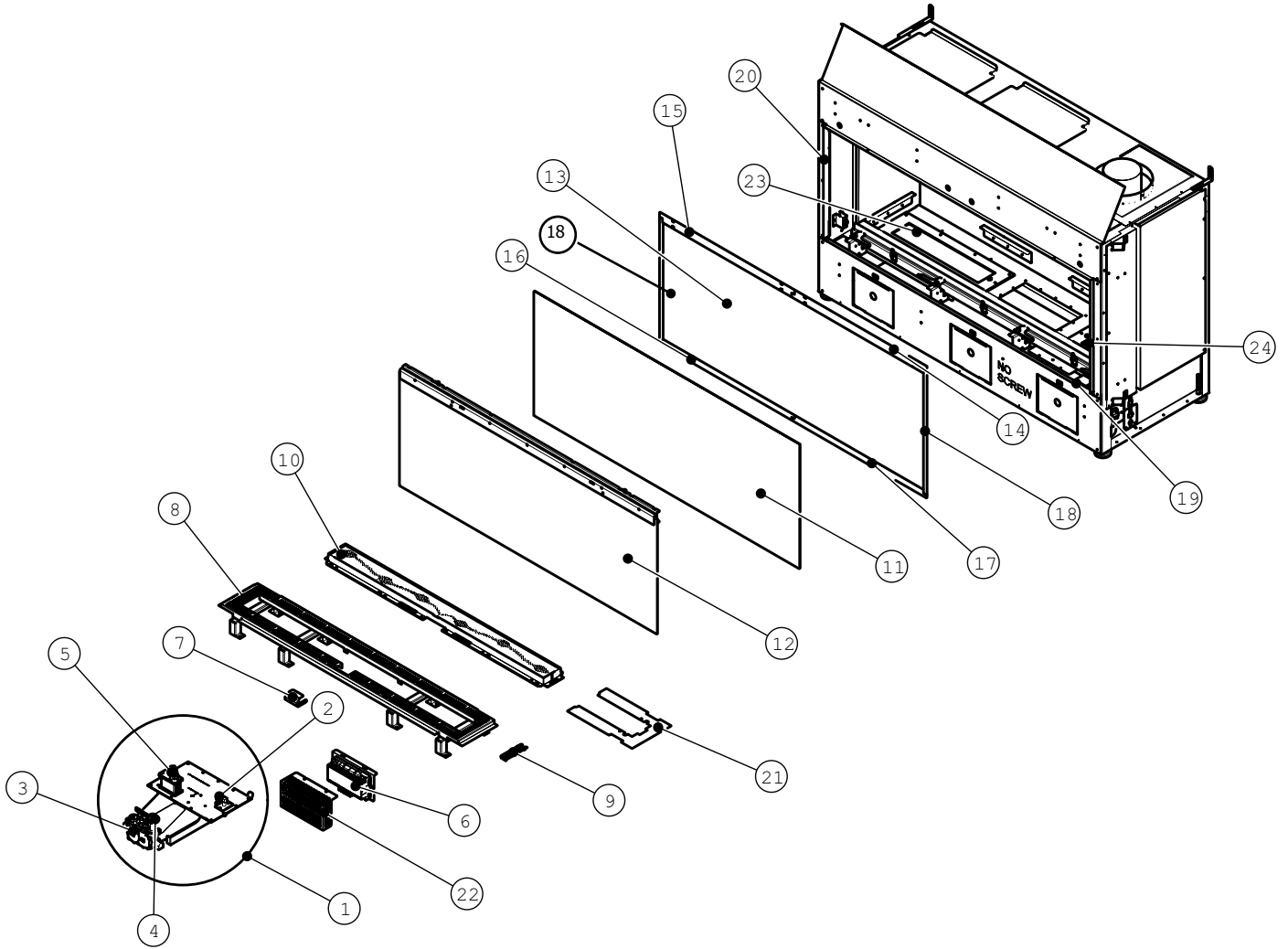
- Voltage on thermocouple/thermopile (millivolt models)
- Ohms reading on flame sense (electronic ignition models)
- Inlet/outlet fuel pressures as per rating plate
- Voltage/ohms readings on gas valve
- Ohms reading to on/off switch circuit (Millivolt models)

Gas Leak Tests

- Check main gas line connection to valve
- Check shut off valve connections
- Check connection at gas valve outlet
- Check connection at main burner orifice
- Check pilot fuel line at valve and at pilot assembly

parts list

Main Assembly



Main Assembly

	Part #	Description
1	482-574/P	Valve Assembly -NG
1	482-576/P	Valve Assembly - LP
2	905-089	Burner Orifice #36 NG (PO512)
2	905-064	Burner Orifice #52 LP (PO512)
3	911-188	Novasit Gas Valve NG 0.885.009
3	911-189	Novasit Gas Valve LP
4	911-190	Stepper Motor NG 0.907.023
4	911-191	Stepper Motor LP 0.907.015
5	911-280	Pilot Assembly - NG
5	911-281	Pilot Assembly - LP
6	911-311	IFC Intermittent Fireplace Control Proflame II Wi-Fi 7day PV+5 Sec.FFRT 0.584.665
7	686-022	Pilot Cover
8	482-014	Burner Surround CB/CV50E
9	686-019	Burner Surround Right Trim Cover
10	482-525/P	Burner Assembly NG/LP With Air Shutter
11	940-554/P	Inner Glass Neoceram Front
12	940-555/P	Outer Barrier Glass Assembly Front
13	482-557/P	Gasket Novatec (Complete Set/Items 14-18)
14	482-039	Gasket Novatec #1 CV/CB50E
15	482-040	Gasket Novatec #2 CV/CB50E
16	482-041	Gasket Novatec #1 Bottom CV/CB50E
17	482-042	Gasket Novatec #2 Bottom CV/CB50E
18	482-043	Gasket Novatec Sides CV50E
19	482-028	Lower Finishing Trim CV50E
20	726-015	Trim Removable Finishing Vertical Sides
21	482-015F	Secondary Air Diffuser Perforated CB/CV50
22	666-085	IFC Cover
23	482-572/P	Bottom Pressure relief Door Assembly Left
23	482-571/P	Bottom Pressure relief Door Assembly Right
N/S	W840470	Gasket Pilot Assembly
N/S	686-043	Gasket Valve Assembly
N/S	910-036	Novasit Pilot Orifice - NG #51 977.165
N/S	910-037	Novasit Pilot Orifice - LP #30 977.167
N/S	911-110	Flame Electrode Spark (Long) 0.915.119
N/S	911-111	Flame Sense (Long) 0.915.910
N/S	910-432	Novasit Pilot Tubing With Nuts
N/S	911-039	Two Way Pilot Hood
N/S	911-137	Pilot Hood Clip
N/S	911-182	IFC Digital Fireplace Control Fuse 3.15 amp Fast Acting
N/S	911-341	Remote Transmitter White Wall Mount 0.584.049
N/S	911-337/P	Battery Holder With Switch 584.103
N/S	911-253-ASM	Power Cord Assembly Wire Harness Sit Pf2 Ifc Power - 120V W/ Lumberg & Phoenix
N/S	911-181	Wire Harness Battery Box Proflame II
N/S	911-262-ASM	Wire Harness IFC w/APS Quick Connect
N/S	911-209	Wire 2 Position IFC to Lights
N/S	911-177	Wire 4 Position IFC Fan & Light

N/S	656-039	Gasket Orifice Mount
N/S	910-369	Receptacle Box Low Volt. SC100A
N/S	911-335	Cover Wall Mount White 0.584.813
N/S	911-343	Cover Wall Mount Black 0.584.812
N/S	910-428	Receptacle Duplex White
N/S	910-429	Receptacle Box Duplex Metal
N/S	910-430	Receptacle Cover Duplex Metal
N/S	904-687	Connector Clamp 3/8
N/S	948-055	Levelling Leg 3/8-16 x 3 in. Nylon Base
N/S	482-036	Gasket Bottom Pressure Relief Right
N/S	482-081	Gasket Bottom Pressure Relief Left
N/S	482-570/P	Top Pressure Relief Door Assembly (Each)
N/S	482-031	Gasket Top Pressure Relief (Each)
N/S	482-019	Lower Glass Pad CV/CB50
N/S	904-658	Inlet Flex Line Gas SS Steel 24 inch
N/S	905-001	Phillip Offset Screwdriver 3cm x 9cm
N/S	911-193	Connector W/Jumper
N/S	948-078	Sunction Cups (each)
N/S	686-121	Light Cover (Each)
N/S	686-086	Light Glass Bracket (Each)
N/S	656-085	Gasket Light Cover (Each)
N/S	911-272	Oven Lamp G9 120V 25W (Wire 136.3" Long)
N/S	911-072	G9/120 Volt/25 Watt Replacement Halogen Bulb
N/S	666-038	Upper Glass Clamp Right
N/S	666-039	Upper Glass Clamp Left
N/S	666-040	Rail Holder Left
N/S	482-018	Top Glass Rail CB/CV50E
N/S	482-009	Vent Restrictor
N/S	666-138	Wire Housing Metal Box
N/S	666-139	Wire Housing Metal Box Cover
N/S	904-790	Magnet Round 1/2 inch x 1/8 inch
N/S	904-970	Cup Magnet 1/2 inchx5/8 inch OD (Rivet)
N/S	948-223	Logo Plate Plastic Regency/Flame Silver
N/S	946-634	Glowing Wool Black Sea 6 Gram
N/S	726-515	Glass Support Stopper (Set Of 2)
N/S	846-697	Gasket Tadpole Tape (12') (936-155)
N/S	846-696	Gasket Tape 2" Wide Graphite (8') (936-220)
N/S	846-681	1" Wide Graphite Gasket Tape(6')(936-222)
N/S	846-682	7/8" Window Adhesive Gasket Tape(12')(936-243)
N/S	686-066	Bracket Glass Liner Lower (Used on 482-906) (Each)
N/S	686-067	Firebox Rear Glass Liner Clip (Used on 482-906) (Each)
N/S	726-008F	Nailing Strips Left/Right (Each)
N/S	920-654	Instruction Manual
N/S	911-314	Switch 2 Way w/ On/Off Marking
N/S	911-344	Wire Harness PV Assembly

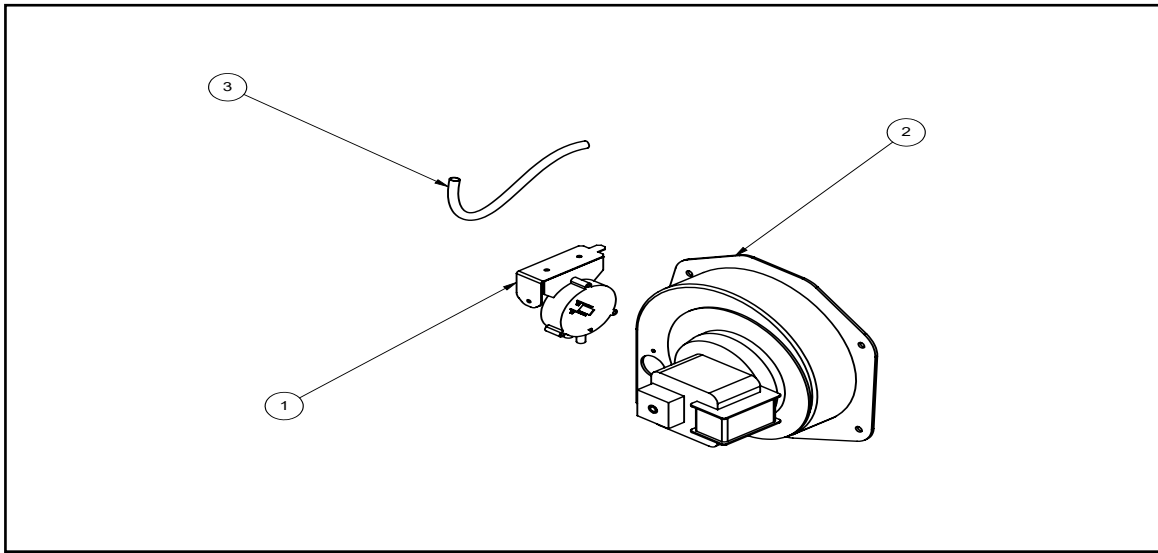
parts list

Accessories

	Part #	Description
N/S	482-906	Inner Panel Glass Black CV50E
N/S	482-907	Inner Panel Black CV50E
N/S	482-908	Inner Panel Enamel Black CV50E
N/S	482-969	Conversion - LP
N/S	450-931	Log Set 50 City Series (Driftwood)
N/S	450-932	Log Set 50 City Series (Birchwood)
N/S	482-991	Chase Vent Front White CV50E
N/S	946-799	SIT WIFI Dongle Kit
N/S	946-672	River Pebbles
N/S	946-674	Ceramic Spa Stones (70 stones)
N/S	946-675	Fireglass Black Reflective 1/4in.1Lb Pkg
N/S	946-676	Fireglass Copper 1/4 in. 1Lb Pkg
N/S	946-677	Fireglass Starfire 1/4 in. 1Lb Pkg
N/S	946-775	Fireglass Black Reflective 1/4in. 5lb Pkg
N/S	946-776	Fireglass Copper 1/4 in. 5lb Pkg
N/S	946-777	Fireglass Starfire 1/4 in. 5lb Pkg
N/S	946-780	Crushed Glass Coal Black 3/4in. 3.5 lbs
N/S	946-781	Crushed Glass Iceberg Chips 3/4in. 3.5 lbs
N/S	946-735	Firebeads Black 1 lb Pkg
N/S	946-737	Firebeads Glacier Ice 1 lb Pkg
N/S	946-738	Firebeads Caramel Luster 1 lb Pkg
N/S	946-739	Firebeads Black 5 lb Pkg
N/S	946-741	Firebeads Glacier Ice 5 lb Pkg
N/S	946-742	Firebeads Caramel Luster 5 lb Pkg
N/S	946-710	Volcanic Stones -Slate/Grey 15 lbs
N/S	946-711	Volcanic Stones - Ivory/Tan 15 lbs
N/S	902-156	Embers Lava 1/4 Cup
N/S	482-912	Clean Trim Faceplate 3/4" CV50E
N/S	726-955	Extended Kit Glass Black CV50E
N/S	946-783	Andiron Black Embers 3/4 in. 1Lb Box

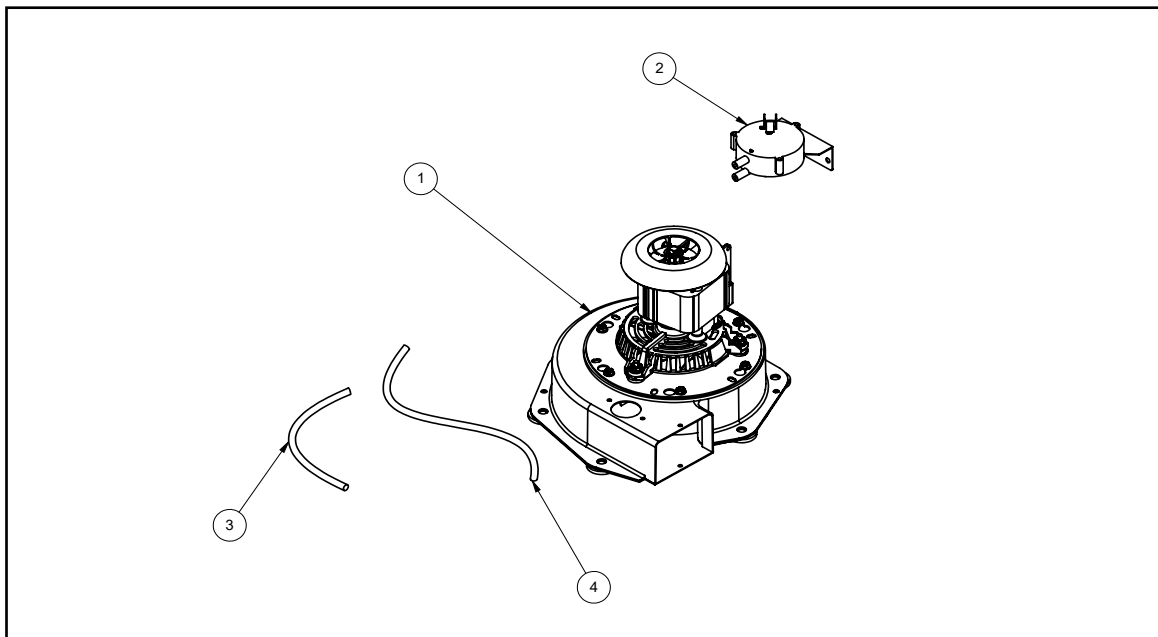
Power Vent-End of Line (Part # 946-535)

#	Part Number	Description
1	911-112/P	Pressure Switch/Sensor (includes bracket)
2	911-244/P	Power Vent Fan Assembly
3	905-017	Straight Wire Connector/Clamp



Power Vent - Inline (Part # 666-945)

#	Part Number	Description
1	911-305/P	120 Volt Fan Motor
2	911-112	Vacuum Switch
3	911-047	Silicone Hose (sold per foot/1 foot required)



Indoor Gas Product Warranty

Limited Lifetime Warranty

FPI Fireplace Products International Ltd. (for Canadian customers) and Fireplace Products US, Inc. (for US customers) (collectively referred to herein as “FPI”) extends this Limited Lifetime Warranty to the original purchaser of this Appliance provided the product remains in the original place of installation. The items covered by this Limited Lifetime Warranty and the period of such coverage are set forth in the table below.

An Appliance in this policy is defined as an Indoor Gas Fireplace, Indoor Gas Insert, Indoor Gas Freestanding Stove.

This Appliance has only been certified and listed for use indoors.

This Limited Lifetime Warranty starts on the day the Appliance was purchased.

The Limited Lifetime Warranty is not transferable, amendable or negotiable under any circumstances.

Indoor Gas Products	Limited Lifetime	5 years	2 years	1 year	Subsidized Labor Coverage* (Years)
Warranty Coverage Parts and Labor	✓				
Firebox and Heat Exchanger	✓				3
Steel Burner Tube	✓				3
Glass Thermal breakage only	✓				3
All painted Surrounds/Inlays Finishes		✓			3
Brick Panels/Log sets/Ceramic Burners		✓			3
All Castings		✓			3
Valve assembly and all gas control components (Pilot assembly, flame sensors, Spark Electrode, Pilot Tubing, Orifices, Thermocouple, Thermopile)			✓		2
All Other Electrical components (Ignition Control Boards, Wiring, Switches, Blowers, Blower Control Module, Battery Pack, Remote Control Systems)			✓		2
Enamel Panels			✓		1
Venting/Venting Components			✓		1
All Stainless steel surrounds All black chrome Brushed nickel/Antique copper Faceplates/surrounds All Inner/Outer Black Glass panels				✓	1
All Firebox Media (Crystals, Fire beads, Volcanic, Ceramic, Spa Stones, River Pebbles)				✓	1
All hardware				✓	1
WIFI Dongle				✓	1
Mesh/Glass Safety Barriers				✓	1
Accent Light Bulbs				✓	1
Glass (Crazing)				✓	1

Note: Warranty coverage noted above may not be applicable as components/options vary based on appliance purchased.

Conditions:

Warranty protects against defect in manufacture or FPI factory-assembled components only, unless herein specified otherwise.

***This warranty does not cover dealer travel costs, mileage, fuel, tolls for diagnostic or service work. All labor rates paid to authorized dealers are subsidized, pre-determined rates. Dealers may charge you for travel and additional time beyond their subsidy.**

Any part(s) found to be defective during the warranty period as outlined above will be repaired or replaced at FPI's option through an accredited distributor, dealer or pre-approved and assigned agent; provided that the defective part is returned to the distributor, dealer or agent for inspection if requested by FPI. Alternatively, FPI may, at its discretion, fully discharge all of its obligations under warranty by refunding the verified purchase price of the product to the original purchaser. The purchase price must be confirmed by the original Bill of Sale. **The authorized selling dealer, or an alternative authorized FPI dealer if pre-approved by FPI, is responsible for all in-field diagnosis and service work related to all warranty claims. FPI is not responsible for results or costs of workmanship of unauthorized FPI dealers or agents in the negligence of their service work.**

At all times, FPI reserves the right to inspect reported in the field/on location complaints of products claimed to be defective before processing or authorizing any claim. Failure to allow this upon request will void the warranty.

All warranty claims must be submitted by the dealer servicing the claim, including a copy of the Bill of Sale (proof of purchase by you). All claims must be complete and provide full details as requested by FPI to receive consideration for evaluation. **Incomplete claims may be rejected.**

Replacement Appliances to the original purchaser are limited to one per warranty term. Appliances must be installed according to all manufacturers' instructions as per the manual. All Local and National required codes must be met.

The installer is responsible for ensuring the Appliance is operating as designed at the time of installation.

The original purchaser is responsible for the annual maintenance of the Appliance, as outlined in the owner's manual. As outlined below, the warranty may be voided due to problems caused by a lack of maintenance.

Purchased parts: Repair/replacement parts purchased by the consumer from FPI after the original coverage has expired on the Appliance will carry a **90-day** warranty from the purchase date, valid with a receipt only. Any item shown to be defective will be repaired or replaced at our discretion. No labor coverage is included with these parts.

Special Finishes - One year on brushed nickel, black chrome and antique copper faceplates/surrounds. You can expect some changes in color as the product "ages" with constant heating and cooling. FPI warrants the product for any manufacturing defects on the original product. However, the manufacturer's warranty does not cover changing colors and marks, i.e. fingerprints, etc. applied after the purchase of the product. Damage from the use of abrasive cleaners is not covered by warranty.

If freight damage has been found either externally or internally, the dealer must be informed within 3 days. All claims as a result of damage must be submitted by the dealer servicing the claim, including a copy of the Bill of Sale (proof of purchase). All claims must be complete and provide full details as requested by FPI to receive consideration for evaluation. **Incomplete claims may be rejected.**

As this is a Limited Lifetime Warranty, if the Appliance needs to be replaced, the Appliance that was purchased at the time of sale might not be replaced with exactly the same model Appliance. In that case, FPI will replace your Appliance with one that is similar at the time of replacement under the terms of this Limited Lifetime Warranty, but **ONLY** in the event that an item covered by the Limited Lifetime Warranty is found to be defective. Please refer to the table on first page of this warranty for items covered by the Limited Lifetime Warranty. Product changes might be the result of the original Appliance being discontinued, changes in regulatory requirements, product advancements, etc., which are beyond the control of FPI. **This Limited Lifetime Warranty does not cover any installation costs, or costs associated with changes of required clearances for the replacement Appliance, hearth pads, mantles, facing and/or facing materials such as framing, completed walls made of drywall, wood, non-combustible board, tile, brick, stone, marble etc., venting/chimney systems, or components of the chimney system.**

If a suitable replacement is not available, FPI will refund **50%** of the purchase price of the Appliance and any applicable FPI accessories (faceplates, brick panels, media, etc.) purchased at the time of sale. **In no event will FPI refund any portion of the purchase price of, or reimburse costs associated with, any other items, including without limitation, installation of a new Appliance, changes of required clearances for a new Appliance, hearth pads, mantles, facing and/or facing materials such as framing, completed walls made of drywall, wood, non-combustible board, tile, brick, stone, marble etc., venting/chimney systems, or components of the chimney system. A copy of the receipt or bill of sale will be necessary to validate the purchase price.**

warranty

Exclusions:

This Limited Lifetime Warranty does not extend to paint, rust or corrosion of any kind due to a lack of maintenance or improper venting, combustion air provision, corrosive chemicals (i.e. chlorine, salt, air, etc.), door or glass gasketing, batteries, color fading, carbon/sooting of the log sets due to use and does not cover lava rock, platinum/glowing embers, vermiculite.

Malfunction, damage or performance-based issues as a result of environmental conditions, location, chemical damages, downdrafts, installation error, an installation by an unqualified installer, incorrect chimney components (including but not limited to cap size or type), operator error, abuse, misuse, use of improper fuels, lack of regular maintenance and upkeep, acts of God, weather-related problems from hurricanes, tornados, earthquakes, floods, lightning strikes/bolts or acts of terrorism or war, which result in a malfunction of the Appliance are not covered under the terms of this Limited Lifetime Warranty.

FPI has no obligation to enhance or modify any Appliance once manufactured (i.e. as products evolve, field modifications or upgrades will not be performed on existing Appliances).

Any Appliance showing signs of neglect or misuse will not be covered under the terms of this warranty policy and may void this warranty, including Appliances with rusted or corroded fireboxes that have not been reported as rusted or corroded within **three (3)** months of installation/purchase.

Appliances which show evidence of being operated while damaged, or with problems known to the purchaser and causing further damages will void this warranty.

Appliances where the serial no. has been altered, deleted, removed or made illegible will void this warranty.

Minor movement, expansion and contraction of the steel is normal and is not covered under the terms of this warranty.

Freight damages for products or parts are not covered under the terms of the warranty.

Products made or provided by other manufacturers and used in conjunction with the FPI Appliance without prior authorization from FPI may void this warranty.

Limitations of Liability:

The original purchaser's exclusive remedy under this warranty, and FPI's sole obligation under this Limited Lifetime Warranty, express or implied, in contract or in tort, shall be limited to replacement, repair, or refund, as outlined above. IN NO EVENT WILL FPI BE LIABLE UNDER THIS WARRANTY FOR ANY INCIDENTAL OR CONSEQUENTIAL COMMERCIAL DAMAGES OR DAMAGES TO PROPERTY. TO THE EXTENT PERMITTED BY APPLICABLE LAW, FPI MAKES NO EXPRESS WARRANTIES OTHER THAN THE WARRANTY SPECIFIED HEREIN. THE DURATION OF ANY IMPLIED WARRANTY IS LIMITED TO DURATION OF THE EXPRESSED WARRANTY SPECIFIED ABOVE. IF IMPLIED WARRANTIES CANNOT BE DISCLAIMED, THEN SUCH WARRANTIES ARE LIMITED IN DURATION TO THE DURATION OF THIS WARRANTY.

Some US states do not allow limitations on how long an implied warranty lasts, or allow exclusion or limitation of incidental or consequential damages, so the above limitations or exclusions may not apply to you.

Customers located outside the US should consult their local, provincial or national legal codes for additional terms, which may apply to this warranty.

How to Obtain Warranty Service:

Customers should contact the authorized selling dealer to obtain warranty service. In the event the authorized selling dealer is unable to provide warranty service, please contact FPI by mail at the address listed below. Please include a brief description of the problem and your address, email and telephone contact information. A representative will contact you to make arrangements for an inspection and/or warranty service.

Canadian Warrantor:**FPI Fireplace Products International Ltd.**

6988 Venture St.
Delta, British Columbia
Canada, V4G 1H4

U.S. Warrantor:**Fireplace Products US, Inc.**

PO Box 2189 PMB 125
Blaine, WA
United States, 98231

Or contact the Regency Customer Care Centre at 1-800-442-7432 (phone) / 604-946-4349 (fax)
/customerservice@regency-fire.com (e-mail)

Product Registration and Customer Support:

Thank you for choosing a Regency Fireplace. Regency strives to be a world leader in the design, manufacture, and marketing of hearth products. To provide the best support for your product, we request that you complete a product registration form at <http://www.regency-fire.com/Customer-Care/Warranty-Registration.aspx> within **ninety (90)** days of purchase.



Product Registration and Customer Support:

Thank you for choosing a Regency Fireplace. Regency strives to be a world leader in the design, manufacture, and marketing of hearth products. To provide the best support for your product, we request that you complete a product registration form found on our Web Site under Customer Care within ninety (90) days of purchase.

For purchases made in **CANADA or the UNITED STATES:**

<http://www.regency-fire.com/Customer-Care/Warranty-Registration.aspx>

For purchases made in **AUSTRALIA:**

<http://www.regency-fire.com.au/Customer-Care/Warranty-Registration.aspx>

You may also complete the warranty registration form below to register your Regency Fireplace Product and mail and/or fax it back to us, and we will register the warranty for you. It is important you provide us with all the information below in order for us to serve you better.

Warranty Registration Form (or Register online immediately at the above Web Site):

Warranty Details	
Serial Number (required):	
Purchase Date (required) (mm/dd/yyyy):	
Product Details	
Product Model (required):	
Dealer Details	
Dealer Name (required):	
Dealer Address:	
Dealer Phone #:	
Installer:	
Date Installed (mm/dd/yyyy):	
Your Contact Details (required)	
Name:	
Address:	
Phone:	
Email:	

For purchases made in **CANADA:**

FPI Fireplace Products International Ltd.
6988 Venture St.
Delta, British Columbia
Canada, V4G 1H4

Phone: 604-946-5155
Fax: 1-866-393-2806

For purchases made in the **UNITED STATES:**

Fireplace Products US, Inc.
PO Box 2189 PMB 125
Blaine, WA
United States, 98231

Phone: 604-946-5155
Fax: 1-866-393-2806

For purchases made in **AUSTRALIA:**

Fireplace Products Australia Pty Ltd
99 Colemans Road
Dandenong South, Vic. 3175
Australia

Phone: +61 3 9799 7277
Fax: +61 3 9799 7822

For fireplace care and tips and answers to most common questions please visit our Customer Care section on our Web Site. Please feel free to contact your selling dealer if you have any questions about your Regency product.

Installer: Please complete the following information

Dealer Name & Address: _____

Installer: _____

Phone #: _____

Date Installed: _____

Serial #: _____