

**IMPORTANT: THIS IS DATED INFORMATION.** Parts must be ordered from a dealer or distributor. **Hearth and Home Technologies does not sell directly to consumers.** Provide model number and serial number when requesting service parts from your dealer or distributor.



**Stocked at Depot**

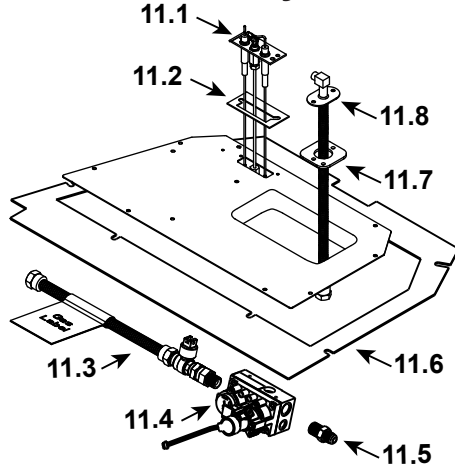
| ITEM | DESCRIPTION                       | COMMENTS  | PART NUMBER |   |
|------|-----------------------------------|-----------|-------------|---|
| 1    | Slide Plate Assembly              |           | 2532-014    |   |
|      | Tool, Slide Plate (Multi-purpose) |           | 2532-140    |   |
|      | Gasket                            |           | 2532-113    |   |
| 2    | Glass Clip Assembly, Top          | Qty 2 req | 2155-046    |   |
| 3    | Baffle, Firebox                   |           | 2535-138    |   |
| 4    | Glass Clip Assembly, Bottom       | Qty 2 req | 2532-009    |   |
| 5    | Pilot Shield                      |           | 2535-120    |   |
| 6    | Burner Assembly                   |           | 2536-007    | Y |
| 7    | Base Pan                          |           | 2536-130    |   |
| 8    | Seal, Glass Frame                 |           | 2533-122    |   |
| 9    | Glass Door Assembly               |           | GLA-2533    | Y |
| 10   | Power Cord                        |           | 2201-024    | Y |
|      | Fan                               |           | GFK-160A    | Y |

No one builds a better fire

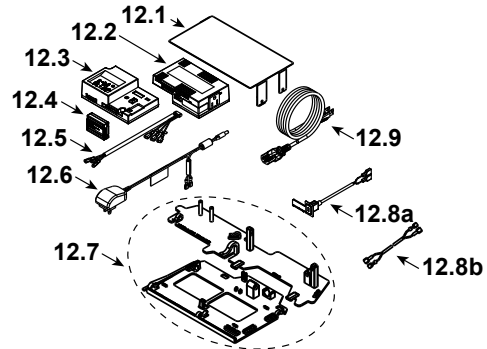
Beginning Manufacturing Date: March 2019

Ending Manufacturing Date: Active

### #11 Valve Assembly



### #12 Component Tray



**IMPORTANT: THIS IS DATED INFORMATION.** Parts must be ordered from a dealer or distributor. **Hearth and Home Technologies does not sell directly to consumers.** Provide model number and serial number when requesting service parts from your dealer or distributor.



**Stocked  
at Depot**

| ITEM  | DESCRIPTION                  | COMMENTS                             | PART NUMBER |   |
|-------|------------------------------|--------------------------------------|-------------|---|
| 11.1  | Pilot Assembly NG            |                                      | 2550-013    | Y |
|       | Pilot Assembly Propane       |                                      | 2550-014    | Y |
| 11.2  | Pilot Gasket                 |                                      | 2532-134    |   |
| 11.3  | Flex Ball Valve Assembly     |                                      | 2532-081    | Y |
| 11.4  | Valve NG                     |                                      | SRV2166-302 | Y |
|       | Valve Propane                |                                      | 2166-303    | Y |
| 11.5  | Male Connector               | Pkg of 5                             | 303-315/5   | Y |
| 11.6  | Gasket, Valve Plate          |                                      | 2532-131    |   |
| 11.7  | Gasket, Bulkhead             |                                      | 438-407     |   |
| 11.8  | Bulkhead w/Flex Tube         |                                      | SRV7000-156 | Y |
|       | Orifice NG (#37C)            |                                      | 582-837     | Y |
|       | Orifice Propane (#1.55)      |                                      | 582-8155    | Y |
| 12.1  | Component Heat Shield        |                                      | 2532-144    | Y |
| 12.2  | Module, B Type AC            |                                      | SRV2326-150 | Y |
| 12.3  | Module, IFT Control          |                                      | SRV2326-130 | Y |
| 12.4  | Module, RF FCC               |                                      | SRV2326-120 | Y |
| 12.5  | Harness, IFT 6 Pin Wiring    |                                      | SRV2326-132 | Y |
| 12.6  | 6 Volt DC Power Adapter      | Post LC5818239                       | 2326-191    | Y |
|       | Transformer, 6 Volt Wall     | Pre LC5818239                        | SRV2326-131 | Y |
|       | Jumper Wire, 36" Male/Female | Pre LC5818239                        | 2159-310    | Y |
|       | Wall Switch Jumper Wire      | Pre LC5818239                        | SRV2179-300 | Y |
| 12.7  | Tray, Component & Wire       |                                      | 2532-172    | Y |
| 12.8a | Assembly, USB-C Bracket      | SN Range<br>LC5673022 -<br>LC6494692 | 2532-301    | Y |
| 12.8b | 40" Wire Harness             | Post LC6494692                       | SRV2531-140 | Y |
| 12.9  | Cable, B Type AC Module      |                                      | SRV2326-152 | Y |

Additional service part numbers appear on following page.

