



CF780 Wood Fireplace

Owners & Installation Manual



If the information in these instructions is not followed exactly, a fire or explosion may result causing property damage, personal injury or death. Please read the entire manual before you install and use your appliance. Follow the instructions in the installation manual for proper use.

MODEL:CF780

www.regency-fire.com

French Manual: <https://bit.ly/3v8QONK>

Manuel en Français: <https://bit.ly/3v8QONK>

Tested by:



Installer: Please complete the details on the back cover and leave this manual with the homeowner.
Homeowner: Please keep these instructions for future reference.

Thank-you for purchasing a REGENCY FIREPLACE PRODUCT.

The pride of workmanship that goes into each of our products will give you years of trouble-free enjoyment. Should you have any questions about your product that are not covered in this manual, please contact the REGENCY DEALER in your area. Keep those REGENCY FIRES burning.

The Regency CF780 wood fireplace ia a decorative appliance that provides aesthetic enjoyment with over 700 square inches of fire viewing area. This fireplace is defined as a fireplace (primarily for aesthetics) under the 2015 regulations. Failure to follow the manual details can lead to smoke and CO emissions spilling into the home. It is recommended to have monitors in areas that are expected to generate CO such as heater fuelling areas.

SAFETY NOTE: If this fireplace is not properly installed, a house fire may result. For your safety, follow the installation instructions, contact local building, fire officials, or authority having jurisdiction about restrictions and installation inspection requirements in your area.

“This manual describes the installation and operation of the Regency CF780 fireplace.”

“It is against federal regulation to operate this wood fireplace in a manner inconsistent with operating instructions in this manual, or if any parts are removed.”

“It is against federal regulation to operate this wood fireplace in a manner inconsistent with operating instructions in this manual.”

CAUTION: BURN UNTREATED WOOD ONLY. OTHER MATERIALS SUCH AS WOOD PRESERVATIVES, METAL FOILS, COAL, PLASTIC, GARBAGE, SULPHUR OR OIL MAY DAMAGE THE FIREPLACE.

DO NOT BURN:

- Treated wood
- Coal
- Garbage
- Cardboard
- Solvents
- Colored Paper
- Trash
- Lawn clippings or yard waste
- Materials containing rubber including tires
- Materials containing plastic
- Waste petroleum products , paints or paint thinners or asphalt products
- Materials containing asbestos
- Construction or demolition debris
- Railroad ties
- Manure or animal remains
- Saltwater driftwood or other previously salt water saturated materials
- Unseasoned wood
- Paper products, cardboard, plywood or particle board. The prohibition against burning these materials does not prohibit the use of fire starters made from paper, cardboard, saw dust, wax and similar substances for the purpose of starting a fire in a fireplace

Burning these materials may result in release of toxic fumes or render the heater ineffective and cause smoke.

The authority having jurisdiction (such as Municipal Building Department, Fire Department, Fire Prevention Bureau, etc.) should be consulted before installation to determine the need to obtain a permit.

This unit must be connected to either a listed factory built chimney suitable for use with solid fuels and conforming to ULC629 in Canada or UL-103HT in the United States of America or code approved masonry chimney with flue liner.

CF780 is tested and certified to ULC S610-M87 (R2018) and UL 127-2011 (R2015).

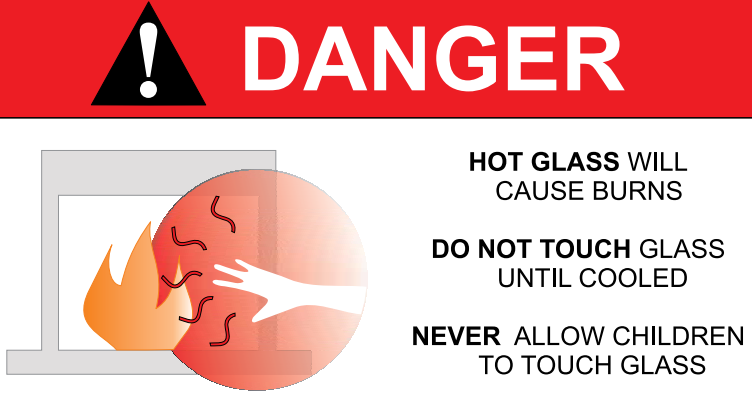
SAVE THESE INSTRUCTIONS



We recommend that our products be installed and serviced by professionals who are certified in the U.S. by the National Fireplace Institute® (NFI) or in Canada by Wood Energy Technical Training (WETT).



WARNING: Cancer and Reproductive Harm
www.P65Warnings.ca.gov
919-874



DANGER

HOT GLASS WILL CAUSE BURNS

DO NOT TOUCH GLASS UNTIL COOLED

NEVER ALLOW CHILDREN TO TOUCH GLASS

A barrier designed to reduce the risk of burns from the hot viewing glass is provided with this appliance and shall be installed for the protection of children and other at risk individuals.

table of contents

Copy of the Safety Decal

Safety Decal for CF780	4
CF780 Decal Location	4

Installation

Safety Warnings	5
Creosote: Formation and Removal	5
Fuel Wood	5
Unpacking your CF780	6
Unit Dimensions	7
Unit Clearances	8
Mantel Clearances	10
Mantel	10
Installation	11
Location	11
Ceiling Clearance	11
CF780 General Installation	12
Chase Ventilation Grills	13
Flooring Requirements	14
Combustible Floor: Bottom Standoff	14
Outside Air Duct – Optional	15
Chimney System Considerations	16
Chimney	17
Chimney Installation	18
Offset Chimney	20
Through the Wall Offset: Gravity Kit must be installed	20
Chase Enclosure	21
Gravity Air Feed Kit Option	22
Framing	23
Fireplace Facing	23
Covering the Fireplace Facing	23
Installing Cement Board Panels	24
Spark Guard	25
CF780 Brick Installation	26
Fire Dog Installation	27
Gas Log Installation	28
Side Shield Installation	29

Operation

Lighting the CF780	30
Controlling Your Fire	30
Seasoned Wood	30
Refueling	30
Flue Damper Control	31
Outside Air Control	31
Firescreen Operation	32
Glass Door Operation	33
Glass Door – Open for Cleaning	33

Maintenance

General Cleaning	34
Touch up Paint	34
Glass Cleaning	34
Chimney Cleaning	34
Disposal of Ashes	34
Guillotine System	34
Brick Cleaning	34
Vermiculite Smoke Chamber Panel Replacement	35
Replacing the Top Damper	35
Firescreen Replacement	36
Glass Replacement (5mm Neoceramic glass)	37
Latch Replacement	37
Pulley Service/Replacement	38
Annual Maintenance	39

Parts

Parts - Firebox & Body	40
Damper Assembly	42
Firescreen Assembly	43
Door Assembly	44
Door Assembly - No Glass	45
Vermiculite Smoke Chamber Panels	46
Brick Liners	46


Warranty	48
-----------------------	-----------

safety decal

This is a copy of the label that accompanies each Regency Fireplace. Location of the decal is shown below. We have printed a copy of the contents here for your review.

NOTE: Regency units are constantly being improved. Check the label on the unit and if there is a difference, the label on the unit is the correct one.

Safety Decal For CF780

 LISTED FACTORY BUILT FIREPLACE FPI WOOD FIREPLACE MODEL: CF780/MODÈLE DE FOYER AU BOIS FPI : CF780 DECORATIVE WOOD FIREPLACE / FOYER AU BOIS DÉCORATIF		Serial Number/Numéro de série 472
CF780 is tested and certified to ULC S610-M87 (R2018) and UL 127-2011 (R2015). Install and use only in accordance with the manufacturer's installation and operating instructions. Le modèle CF780 est testé et homologué selon les normes ULC S610-M87 (R2018) et UL 127-2011 (R2015). À installer et à utiliser uniquement en suivant les consignes d'installation et d'utilisation du fabricant.		
MINIMUM CLEARANCES TO COMBUSTIBLE MATERIALS / DÉGAGEMENTS MINIMAUX PAR RAPPORT AUX MATÉRIAUX COMBUSTIBLES Side Wall / Paroi latérale 24 in / 610 mm From edge of top vent / Depuis le rebord de l'évacuation du dessus Mantel / Manteau 7 in / 178 mm From top of vent / Depuis l'évacuation du dessus Mantel Projection / Prolongement du manteau 12 in / 305 mm From face / Depuis la façade Hearth measurements (USA/CDN) 61-3/8 in / 1559 mm Wide / de large 20 in / 508 mm Depth / de profondeur Unit Back and Sides / Dessus, arrière, côtés et bas de l'appareil 0 in / 0 mm To standoff / Vers l'espaceur Unit Corners / Angles de l'appareil 3 in / 76 mm Top / Dessus Non-combustible / steel stud only (Refer to Manual) (se reporter au manuel) Matériau non combustible / montant en acier seulement		CAUTION: Gas logs shall be certified for the application. When installed, the chimney shall be permanently secured in an open position to effectively vent the appliance. The log sets need to be certified to ANSI Z21.60/CSA 2.26-2017 to be installed in their fireplaces. Do not operate a gas log set in this fireplace with the chimney removed. ATTENTION : Les bûches pour foyers au gaz doivent être homologuées pour être installées dans ce foyer. Une fois installée, la cheminée doit être mise en position ouverte de manière permanente pour permettre une ventilation adéquate de l'appareil. Les jeux de bûches doivent être homologués ANSI Z21.60/CSA 2.26-2017 pour être installés dans le foyer. Ne pas utiliser un jeu de bûches pour foyers au gaz dans cet appareil si la cheminée n'est pas en place.
FOR USE WITH SOLID WOOD FUEL ONLY. Do not overfire the fireplace. Operate only with viewing door fully closed or fully open when optional fire screen is used. Firebricks must be in place during operation. Combustible materials are not permitted on face of unit. Do not obstruct combustion air inlet. Do not block required chase ventilation grills. Do not use a fireplace insert or other products not specified for use with this product. This fireplace has been tested with a gas log set. Replace glass only with 5 mm neo-ceramic glass. Only use Manufacturer's Chimneys listed in manual. Areas of the fireplace incorporating warm or cold air ducts shall be enclosed within the building envelope and in accordance with the installation instructions. For outside air supply refer to installation instructions.		UTILISATION DE BOIS COMBUSTIBLE SOLIDE SEULEMENT. Éviter de faire surchauffer le foyer. Ne faire fonctionner qu'avec les portes complètement fermées ou complètement ouvertes si un pare-feu en option est utilisé. Les briques réfractaires doivent être bien en place pendant l'utilisation de l'appareil. Ne jamais laisser de matières combustibles devant l'âtre. Ne pas obstruer l'entrée d'air comburant. Ne pas obstruer les grilles de ventilation du châssis. Ne pas utiliser avec des poêles ou foyers encastrables non compatibles ou d'autres produits inappropriés. Cet appareil a été testé avec un jeu de bûches pour foyer au gaz non ventilé. Remplacer la vitre seulement avec une vitre en néocéramique de 5 mm. Utiliser uniquement les cheminées du fabricant listées dans le manuel. Les parties du foyer comprenant des conduits d'air chaud ou froid doivent être placées dans une enchâssure conformément aux consignes d'installation. Pour une alimentation en air extérieur, se reporter aux consignes d'installation.
WARNING: To avoid the risk of damaging fireplace materials and increasing the risk of spreading a fire, DO NOT USE the fireplace to cook or warm food. CAUTION: This fireplace requires a large amount of air to operate which may starve other fuel burning appliance of combustion, ventilation, and dilution air. Do not block chase grill. Install and use only in accordance with Regency installation instructions. Contact local building or fire officials about restrictions and installation inspections in your area. Do not connect this unit to a chimney serving another appliance. For outdoor air supply, refer to installation manual. WARNING: Not for use in mobile home. Fireplace also for use in manufactured homes with solid fuel only. When burning gas in the fireplace, adjust damper to the fully open position.		AVERTISSEMENT : Pour fonctionner correctement, ce foyer nécessite une grande quantité d'air qui pourrait priver d'air d'autres appareils de chauffage d'air de combustion, de ventilation ou de dilution. Ne pas obstruer la grille du châssis. À installer et utiliser conformément aux consignes d'installation de Regency. Contacter la Régie du bâtiment ou le département local incendie pour connaître les restrictions et les consignes d'installation dans votre municipalité. Ne pas raccorder cet appareil à une cheminée desservant un autre appareil. Pour une alimentation en air extérieur, se reporter au manuel d'installation. AVERTISSEMENT : Ne pas utiliser dans une maison mobile. Ce foyer peut également être utilisé dans une maison industrialisée avec un combustible solide seulement. Lorsque l'appareil est allumé, régler le registre en position complètement ouverte.
<p style="text-align: center;">CAUTION</p> <p style="text-align: center;">HOT WHILE IN OPERATION DO NOT TOUCH. KEEP CHILDREN, CLOTHING AND FURNITURE AWAY. MAY CAUSE SKIN BURNS. READ ABOVE INSTRUCTIONS</p>		<p style="text-align: center;">ATTENTION</p> <p style="text-align: center;">CHAUD LORS DE FONCTIONNEMENT. NE PAS TOUCHER. GARDER HORS DE PORTÉE DES ENFANTS, À DISTANCE DES VÊTEMENTS ET MEUBLES. TOUT CONTACT AVEC LA PEAU PEUT OCCASIONNER DES BRÛLURES. LIRE LES CONSIGNES CI-DESSUS.</p>
MADE IN CANADA / FABRIQUÉ AU CANADA		FPI Fireplace Products International Ltd. Delta, BC, Canada
		919-894 MANUFACTURED 2021, 2022, 2023, 2024, 2025 <input type="checkbox"/> DEC <input type="checkbox"/> NOV <input type="checkbox"/> OCT <input type="checkbox"/> SEP <input type="checkbox"/> AUG <input type="checkbox"/> JUL <input type="checkbox"/> JUN <input type="checkbox"/> MAY <input type="checkbox"/> APR <input type="checkbox"/> MAR <input type="checkbox"/> FEB <input type="checkbox"/> JAN

CF780 Decal Location

1. Remove left Screen Trim Panel (See instructions in this manual)
2. Decal will be visible on left side (with trim removed).



- 3 Remove the rating plate and unroll to view information.
4. Reverse steps to replace decal.



SERIAL DECAL MUST REMAIN WITH FIREPLACE AT ALL TIMES.

Safety Warnings

If this fireplace is not properly installed, a house fire could result. For your safety, follow the installation directions. Contact your local authority having jurisdiction (such as municipal building department or fire department) regarding restrictions and installation requirements, and the need to obtain a permit.

1. For use with **SOLID FUEL ONLY**. Do not use any other type of fuel.
2. Burn dry, split, seasoned wood fuel.
3. To avoid glass breakage, **DO NOT** slam the fireplace door.
4. **DO NOT** use the fireplace with the door closed if the glass is cracked or broken. Replace the glass before using the glass door again.
5. **DO NOT** ever use gasoline, gasoline-type lantern fuel, kerosene, charcoal lighter fluid, or similar liquids to start or freshen up a fire. Keep all such liquids well away from the fireplace while it is in use.
6. **DO NOT** use logs that are longer than 18".
7. **DO NOT overfire the fireplace.** Burn a maximum of 3 medium split logs. See complete warning.
8. **DO NOT** operate the fireplace with both the fire screen and door open. One of the two should always be closed while having a fire.
9. **DO operate the fireplace with the door either fully closed or fully open.** If the door is left partly open, it will increase the burn rate and permanently damage the fireplace.
10. Keep all combustible materials (furniture, firewood, etc.) at least 4' away from the front of the fireplace.
11. **DO NOT** use a fireplace grate or other products not specified for use with this fireplace.
12. **DO NOT** step or put legs of a step ladder on the metal front step or the hearth threshold.
13. **CAUTION:** Your warranty will be null & void if making compromises during installation & operation. Follow the guidelines within this manual.
- 14: **DO NOT** terminate combustion air inlet ducting into attic spaces.
15. **CAUTION:** This appliance requires the need for room air for combustion. Ensure there is enough ventilation air within the home for the safe operation of all appliances at the same time. Starving appliances for air can cause severe back drafting, negative pressure and nuisance outages. This appliance has an optional outside air kit which can be purchased. This option is highly recommended to prevent back drafting, negative pressure and nuisance outages.

16. Do not use Composite/Bio logs as this can cause extreme temperatures and cause severe damage within the fireplace. Use of these logs will null and void your warranty.
17. Do not install in a sleeping room.
18. The structural integrity of the manufactured home floor, walls, and ceiling roof must be maintained.
19. **DO NOT INSTALL** a gas log lighter. This is not permitted for use with this fireplace.

WARNING: OVER FIRING THE CF780 WILL CAUSE DURABILITY PROBLEMS.

THE CF780 IS CAPABLE OF BURNING CLEANLY PRIMARILY BECAUSE IT HAS BEEN ENGINEERED TO QUICKLY BURN VERY HOT. THIS RESULTS IN A BEAUTIFUL, CLEAN FIRE BUT CAN CAUSE DURABILITY PROBLEMS IF THE UNIT IS REGULARLY OVERLOADED AND/OR OPERATED CONTINUOUSLY WITH LARGE WOOD LOADS. THE CF780 IS PRIMARILY A DECORATIVE APPLIANCE AND ACCORDINGLY LESS EFFICIENT THAN A WOOD BURNING STOVE SO THERE IS NO BENEFIT TO BURNING LARGE WOOD LOADS.

THE FOLLOWING GUIDELINES WILL ENSURE YOUR FIREPLACE BURNS BEAUTIFULLY WHILE MAINTAINING ITS DURABILITY:

APPROXIMATE MAXIMUM LOG SIZE: 18" LONG, MAXIMUM LOAD: NO MORE THAN 3 MEDIUM SPLIT LOGS.

THIS WOOD LOAD IS MORE THAN EFFICIENT TO FILL THE FIREBOX COMPLETELY WITH FLAMES AND PROVIDE A LARGE AMOUNT OF RADIANT HEAT.

THE CF780 WILL BURN WITH LARGE HIGH FLAMES REGARDLESS OF HOW THE WOOD IS PLACED IN THE UNIT. STACKING THE WOOD TEEPEE-STYLE AGAINST THE BACK OF THE FIREPLACE IS ACCEPTABLE.

IF ANY OF THE FOLLOWING SIGNS APPEAR IN YOUR FIREPLACE THEN YOU ARE OVER FIRING:


- THE SCREEN CHANNEL IS WARPED
- THE DOOR CHANNEL IS WARPED

Creosote: Formation and Removal

When wood is burned slowly, it produces tar and other organic vapors which combine with the expelled moisture from the wood to form creosote. The creosote vapors can condense in the relatively cool chimney of a slow burning fire. When ignited, this creosote makes an extremely hot fire. The chimney should be inspected periodically during the heating season to see if a creosote build-up has occurred. If a significant layer of creosote has accumulated (¼" or more), it should be removed to reduce the risk of chimney fire.

Fuel Wood

We recommend always burning your fireplace with split, dry, seasoned wood logs. Do not use construction scraps (e.g. 2x4 or plywood scraps) as your only supply of fuel as you can overheat and seriously damage the fireplace.

-  **WARNING: BURN DRY WOOD ONLY. DO NOT BURN DRIFTWOOD, TREATED WOOD, COAL, GARBAGE, OR PLASTIC.**

installation

Unpacking your CF780

WARNING: THE FIREPLACE IS FRONT HEAVY. MAKE SURE TO ALWAYS MAINTAIN CONTACT WITH THE FIREPLACE WHEN MOVING IT TO PREVENT ANY UNDUE TILTING.

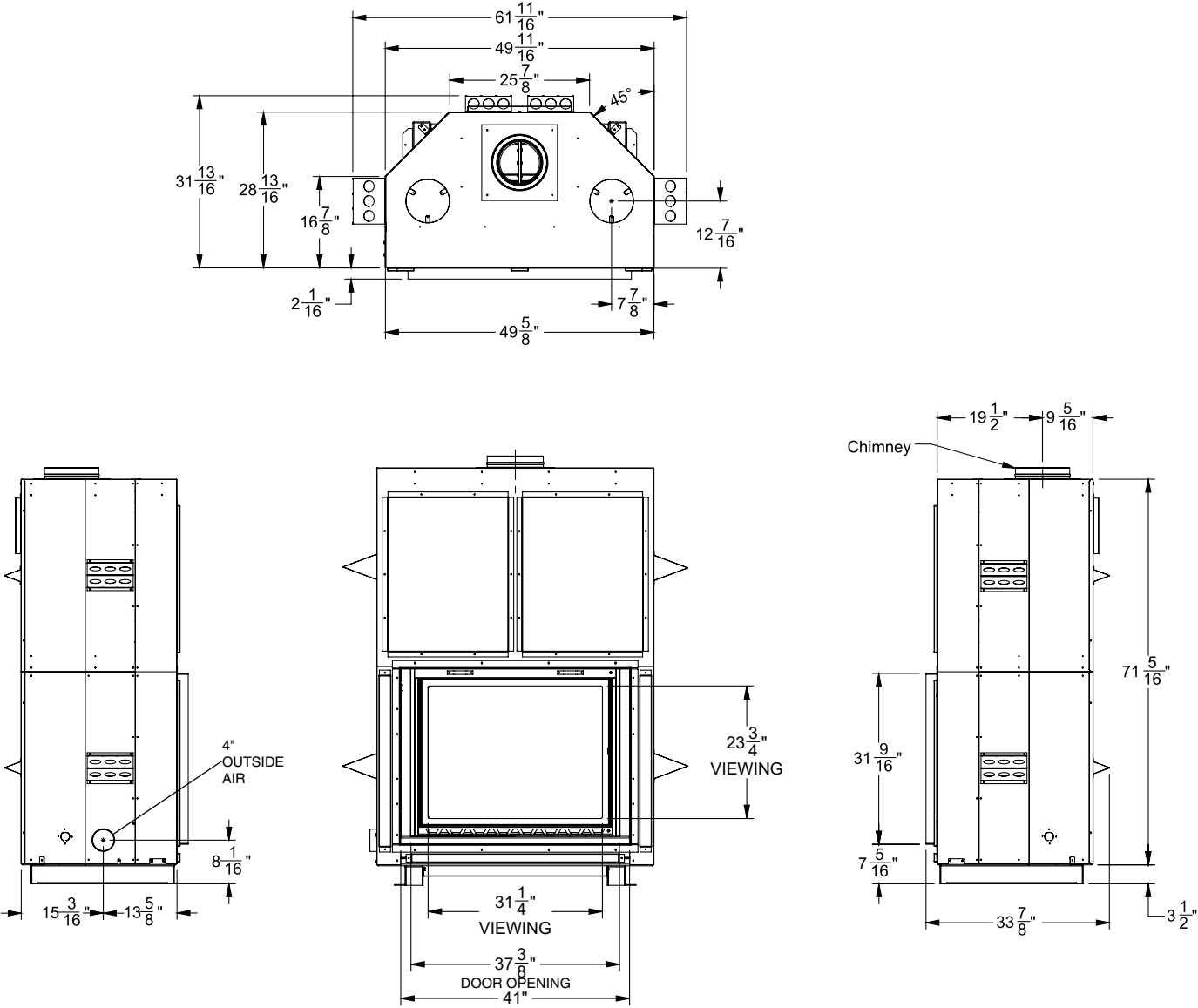
1. Remove brackets held in place with 5/16" hex head screws securing unit to pallet. (4 total)
3. Remove all part/pieces from the interior of the unit.



2. Remove bracket held in place with 2 x 1/4" hex head screws on the exterior of the unit. NOTE - replace 2 x 1/4" screws when bracket is removed. From the interior remove 2 x 5/16" screws to completely remove bracket.
4. Remove the floor standoff that is secured with 4 x 5/16" hex head screws to the back of appliance.



Unit Dimensions



* The fireplace bottom standoff is required if the fireplace is installed on a combustible floor surface or on a combustible floor structure or on a combustible raised platform. See section "INSTALLATION: Flooring Requirements" for all the details regarding the requirements to use the fireplace bottom standoff.

* The chase cavity requires four (4) ventilation grills which are included with the unit. Each grill requires a minimum of 28.5 square inches of open area. Two (2) at ceiling level and two (2) at floor level. Grills must be installed and are supplied with the unit.

Optional: If installing grills other than the ones supplied, you must adhere to the minimum open area. For example, you can install two (2) large grills, one at ceiling level and one at floor level, but each grill must be 57 square inches of open area.

** Shown with Anchor Plate.
The anchor plate height will vary depending on the specific chimney manufacturer. See specific chimney manufactured product catalogue for complete details.

ALL PICTURES / DIAGRAMS SHOWN THROUGHOUT THIS MANUAL ARE FOR ILLUSTRATION PURPOSES ONLY. ACTUAL PRODUCT MAY VARY DUE TO PRODUCT ENHANCEMENTS.

installation

Unit Clearances

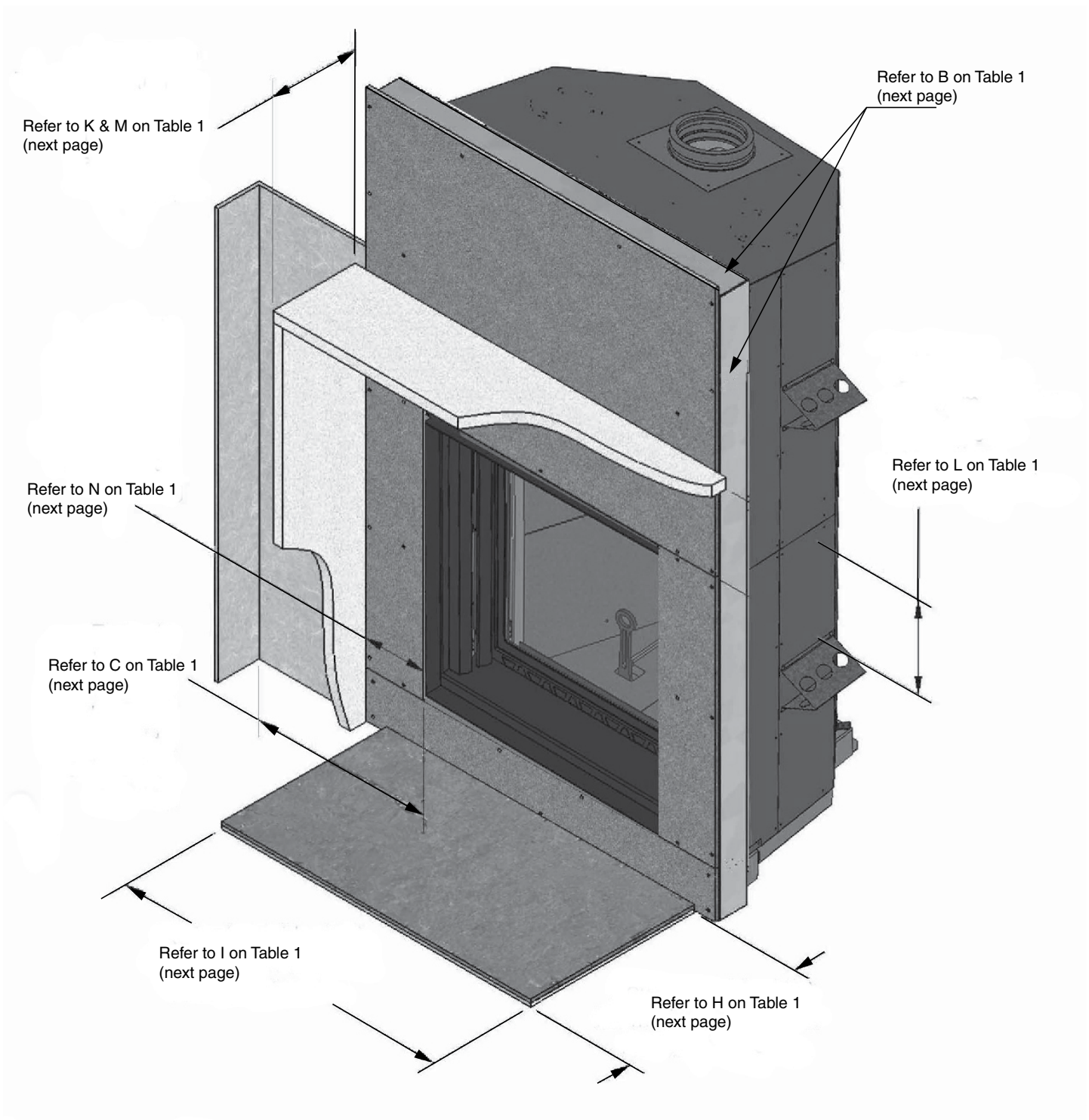
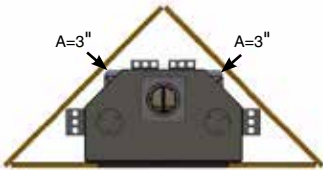


TABLE 1 - UNIT CLEARANCES AND SPECIFICATIONS

A*	Distance to combustible material from side, back, and standoffs	0" (0mm)
B	Clearance from Top/Side of unit	No Combustible material (IE: Wood studs): Only steel stud on front, top edge and sides permitted. Also see framing specifications in this manual.
C	Minimum distance from side wall to the side of the fireplace opening	24" (610mm)
D	Minimum ceiling clearance: Always take measurement from the lowest point on the fireplace,; Including Base–Radiation Shield - When the bottom standoff is installed, measure from the base of the bottom standoff to the ceiling (refer to the "INSTALLATION: Flooring Requirements" section for details)	8' (2.44m)
E	Minimum chimney height: minimum total chimney height from fireplace top to below the chimney rain cap	12' (3.66m)
F	Maximum chimney height: maximum total chimney height from fireplace top to below the chimney rain cap	60' (18.3m)
G	Maximum chimney height supported by the fireplace	15' (4.57m)
H	Minimum depth of non-combustible hearth extension: from the front of the fireplace (refer to the "INSTALLATION: Hearth Extension" section for details)	20" (508mm)
I	Minimum width of non-combustible hearth extension: total width, must be centered on the firebox opening (refer to the "INSTALLATION: Hearth Extension" section for details)	61-3/8" (1559mm)
J	Minimum width of the spark guard	61-3/8" (1559mm)
K	Maximum mantel shelf depth (see Table 2 for other mantel sizes)	12" (305mm)
L	Minimum height of a combustible mantel shelf above the top of the fireplace opening (to the bottom of the combustible mantel) (refer to the "INSTALLATION: Mantel" section for details)	See Table 2
M	Maximum mantel leg depth (see Table 3 for other mantel leg sizes)	12" (305mm)
N	Minimum distance between each combustible mantel leg and the fireplace opening (refer to the "INSTALLATION: Mantel" section for details)	See Table 3
*	Note: For 45° corner installs: 3" clearance is required from back corners of unit.	

installation

Mantel Clearances

TABLE 2 - COMBUSTIBLE MANTEL CLEARANCES	
0" to 6"	7"
7" to 12"	12"

A combustible mantel shelf **MUST NOT** be installed less than 7" above the top of the fireplace opening. A combustible mantel shelf **MUST NOT** be deeper than 12".

For combustible mantel shelf depths between 6" and 12", simply install the mantel shelf at a distance above the fireplace opening corresponding to the mantel shelf depth.

If the combustible mantel shelf varies in depth, it has to be installed so that its thickest part is not installed lower than the corresponding minimum installation height. Also, the thinnest point of the mantel shelf must not be installed lower than the minimum installation height corresponding to its depth.

Refer to the "INSTALLATION: Mantel" section.

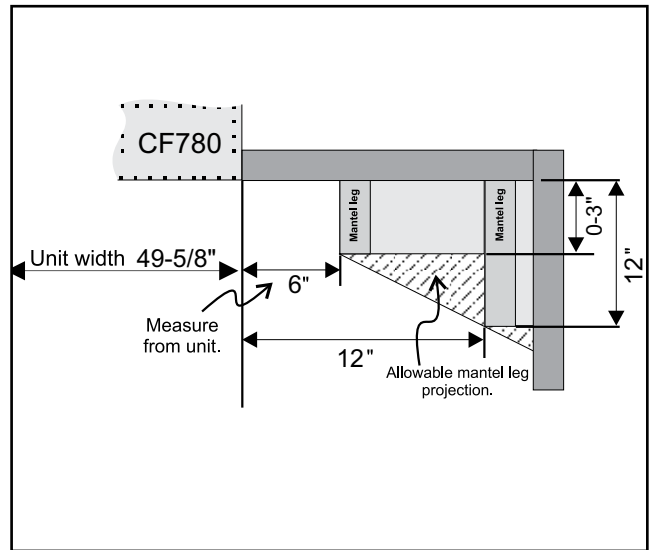
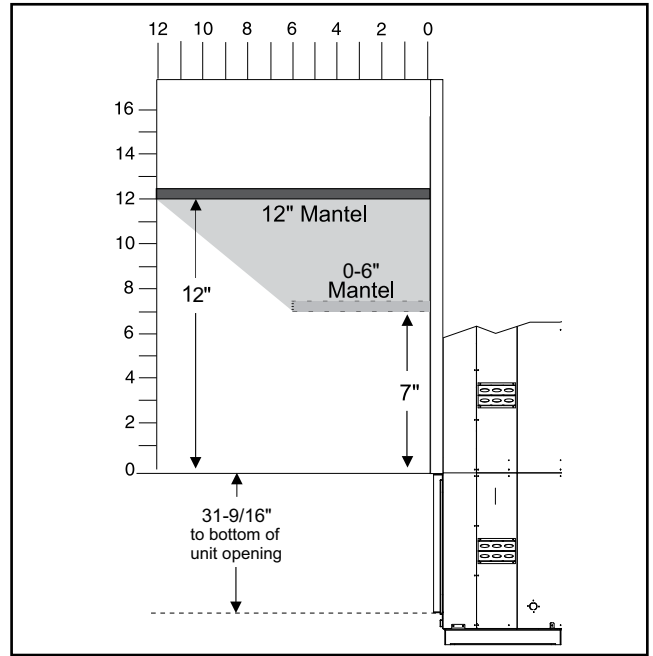
TABLE 3 - MANTEL LEG CLEARANCES	
Maximum Mantel Leg Depth	Minimum Installation Height
0" to 3"	6"
12"	12"

A combustible mantel leg **MUST NOT** be installed less than 6" from either side of the fireplace opening. A combustible mantel leg **MUST NOT** be deeper than 12".

For combustible mantel leg depths between 6" and 12", you can calculate the minimum installation distance between the two mantel legs given as follows:

If the combustible mantel leg varies in depth, it has to be installed so that its thickest part is not installed closer than the corresponding minimum installation distance. Also, the thinnest point of the mantel leg must not be installed closer than the minimum installation distance corresponding to its depth.

Refer to the "INSTALLATION: Mantel" section.



Mantel

Masonry and other non-combustible mantels (shelf and posts) can be placed anywhere around the fireplace opening.

The only combustible material accepted on the facing of the fireplace is for a mantel (shelf and posts).

If you need to attach the mantel to the front of the fireplace refer to page 23 to see where screws are permitted on the front of the fireplace facing.

Installation

Check with your local authority having jurisdiction (such as municipal building department, fire department, fire prevention bureau, etc.) regarding restrictions and installation requirements, and the need to obtain a permit.

WARNING: IF THIS FIREPLACE IS NOT PROPERLY INSTALLED, A HOUSE FIRE CAN RESULT. FOR YOUR SAFETY, FOLLOW THE INSTALLATION INSTRUCTIONS AND CLEARANCES. DO NOT PACK REQUIRED AIR SPACES WITH INSULATION OR OTHER MATERIALS.

Location

The CF780 must be installed within the vapor barrier of the home. It cannot be installed outside, or on a three season porch. Your CF780 fireplace may be installed in different ways (see Diagram of framing examples).

Specifications of the fireplace along with clearances are shown in Diagram 1, Diagram 2, Table 1, Table 2, and Table 3. We recommend that you take the time to plan your entire installation (fireplace and chimney) before beginning the actual installation (refer to General Installation next page).

1. Note the location of roof and floor joists. Choose a location where you can avoid cutting/damaging the floor joists/roof trusses.
2. Do not build shelves or cupboards in the area above the fireplace. This space must be kept empty.
3. We recommend the chimney be installed in the interior of the building as it will provide better performance than an exterior chimney. In areas with continuous temperatures below 32°F (0°C) the use of an exterior chimney may result in operating problems such as poor draft and excessive condensation of combustion products. If you do install an exterior chimney we recommend that you install it within an insulated enclosure (see Installation: Chase Enclosure).

WARNING: In order to avoid the possibility of exposed insulation or the vapor barrier coming in contact with the appliance body, it is recommended that the walls of the enclosure be finished off with drywall as you would finish any other interior/insulated wall of a home. This will ensure that clearance to combustibles is maintained within the cavity. Objects placed in front of the appliance but not limited to such as sofa's, furniture, etc., must be kept a minimum of 48" (1219 mm) away from the front face of the appliance.

Ceiling Clearance

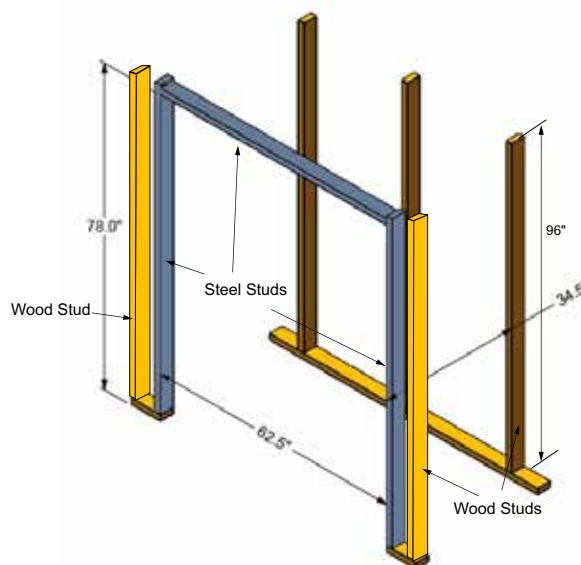
The ceiling clearance varies depending if the fireplace is installed on a non-combustible floor or on a combustible floor.

On a non-combustible floor with a non-combustible floor structure, the ceiling clearance is the distance from the base of the fireplace to the ceiling.

On a combustible floor or on a combustible floor structure, you need to install the fireplace on the fireplace bottom standoff thus the ceiling clearance is the distance from the base of the fireplace bottom standoff to the ceiling.

For ceiling clearance requirements refer to Table 1 (D).

Framing Specifications



The minimum framing specifications are noted above.

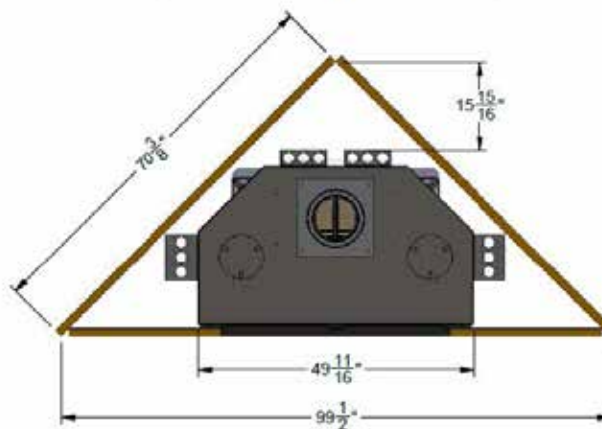
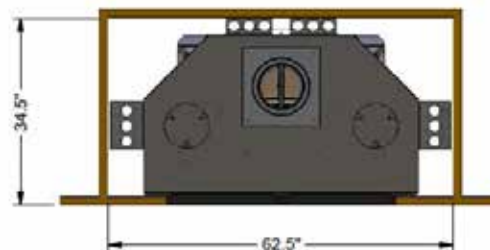
Front face & header –build with steel studs and non-combustible board. Plan out and frame ventilation grills.

IMPORTANT: See Page 13 under Chase Ventilation Grills prior to framing, as the location of the framed chase opening must be carefully planned if ventilation grills are placed in front of the unit.

Finish with materials such as stone or tile.

Minimum chase height is 96"

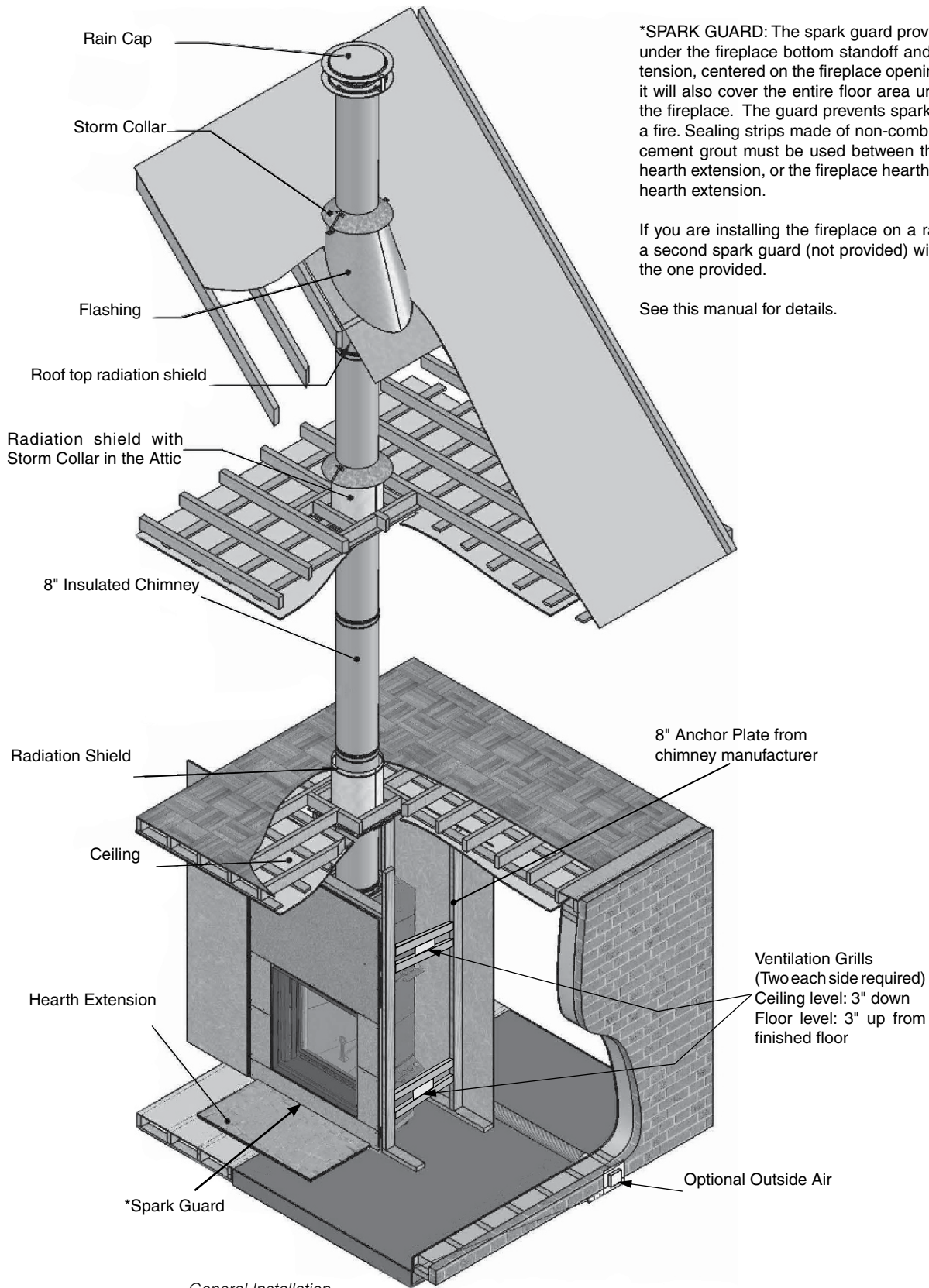
Note: Wood studs may be used outside of where the steel studs are located.



Framing Examples

installation

CF780 General Installation



Chase Ventilation Grills

The unit is supplied with four (4) ventilation grills for the chase/fireplace cavity. Each grill must have a minimum of 28.5 square inches of open area. The total minimum open area of chase ventilation is 114 square inches with a minimum of 57 square inches at the ceiling level and 57 square inches at the floor level. The grills must be installed so there is 57 square inches of open area at the ceiling level and 57 squares inches of open area at the floor level.

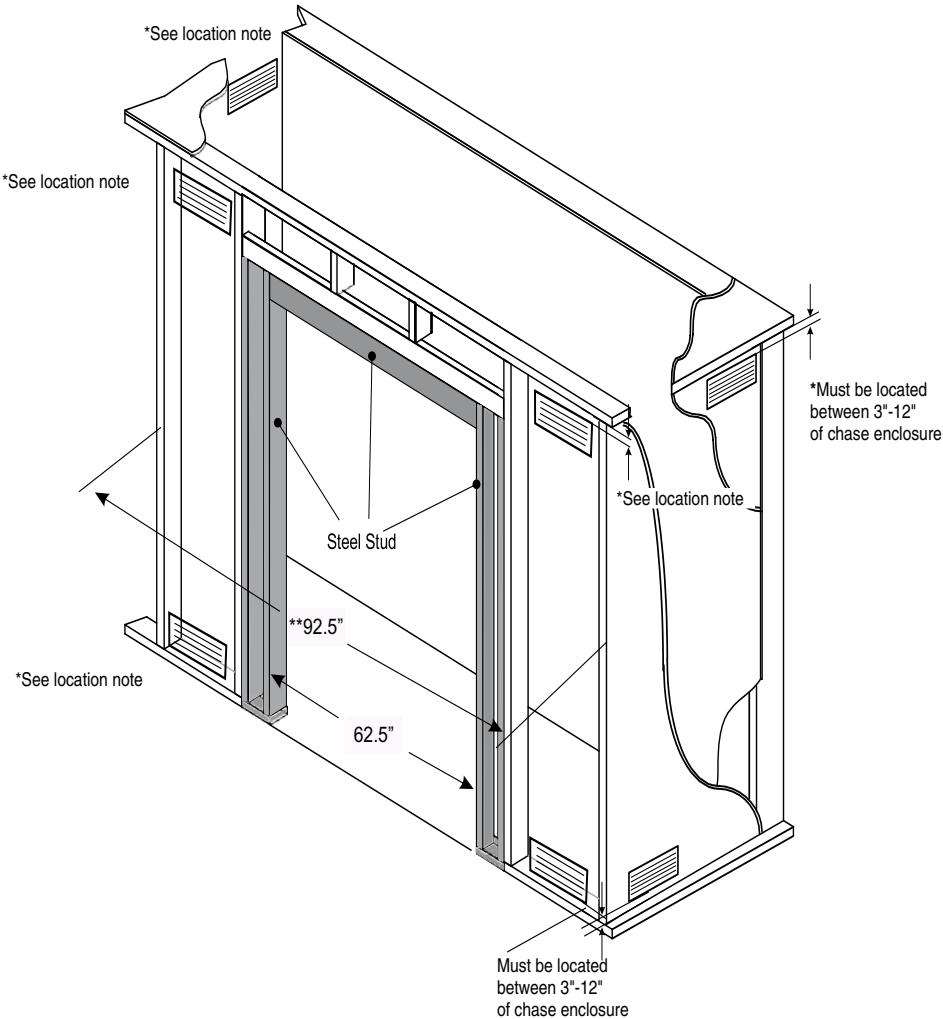
Alternatively, two larger grills (not supplied) may be installed but must be a minimum of 57 square inches of open area each.

Do not remove cover chase grills. These are mandatory and required to ensure there is no overheating of the chase cavity.

Chase ventilation grills are required for all installs. The ventilation grills must be installed within the home to prevent moisture buildup with in the chase/fireplace cavity.

****If placing the four ventilation grills (supplied with unit) in front, we recommend framing the chase cavity a minimum of 92.5" wide to accommodate the ventilation grills on either side of the unit. The overall size of each grill supplied with this unit is 13-3/8" W x 7-3/8" H. If choosing to use other ventilation grills that meet the same requirement of open area, the chase width may be reduced depending on the overall size of the ventilation grill used.**

Note: The ventilation grills must be located within the confines of the framed chase.



installation

Flooring Requirements

Before installing your CF780, make sure the floor surface and floor structure can sustain the weight of the complete fireplace and whatever finishing material you will use to cover the facing of your fireplace.

You can install your fireplace at the floor level or build a platform to elevate it to the desired height. Again, make sure the platform is level and built to sustain the weight of the fireplace and finishing material you will use to finish the facing of your fireplace.

Note: If the appliance has 3-1/2" of non combustible material under the full width and depth of the fireplace, the bottom standoff is not required.

Combustible Floor: Bottom Standoff

If the CF780 is installed on any type of combustible floor surface or structure, you **MUST** install the fireplace onto the fireplace bottom standoff provided with the fireplace. You must also reinforce the sub-floor to help spread the load from the legs of the bottom standoff throughout the floor structure to prevent sagging.

1. Assemble the bottom standoff shield to both supports (see Diagrams below) using eight large self-tapping screws.

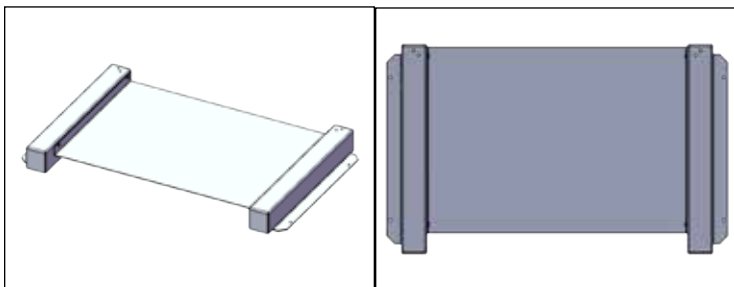


Diagram 1 - Installing the Fireplace Bottom Standoff

2. Determine location, level the unit, and secure to the floor.

3. Position the bottom standoff on the floor along with the spark guard (refer to the "Hearth Extension" section for additional information). Use Diagram 2 to help in properly locating the bottom standoff and the spark guard based on the silhouette of the entire fireplace which includes the back and angled sides' standoffs.

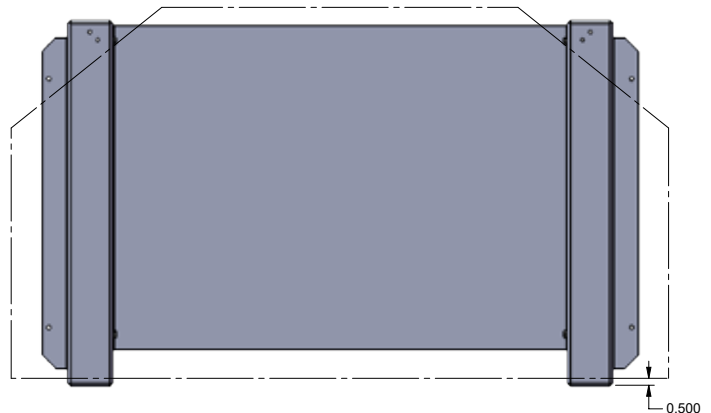


Diagram 2 - Positioning the Fireplace Bottom Standoff

4. Using at least 1-1/2" wood screws (not provided), solidly attach both left and right sides of bottom standoff to the floor, as well as the front and back of the inner sides, as shown in Diagram 3. If possible, attach the bottom standoff to the floor joists below using 3" wood screws (not provided).

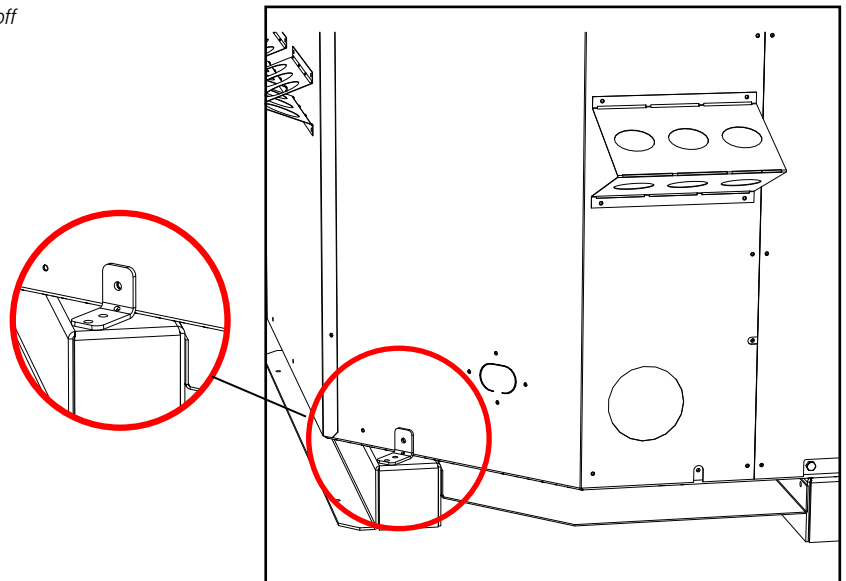


Diagram 3
Anti-Tip Stability Bracket Installation

5. Install the fireplace onto the fireplace bottom standoff making sure that the base of the fireplace is aligned with the bottom standoff as shown in Diagrams 1 and 2.

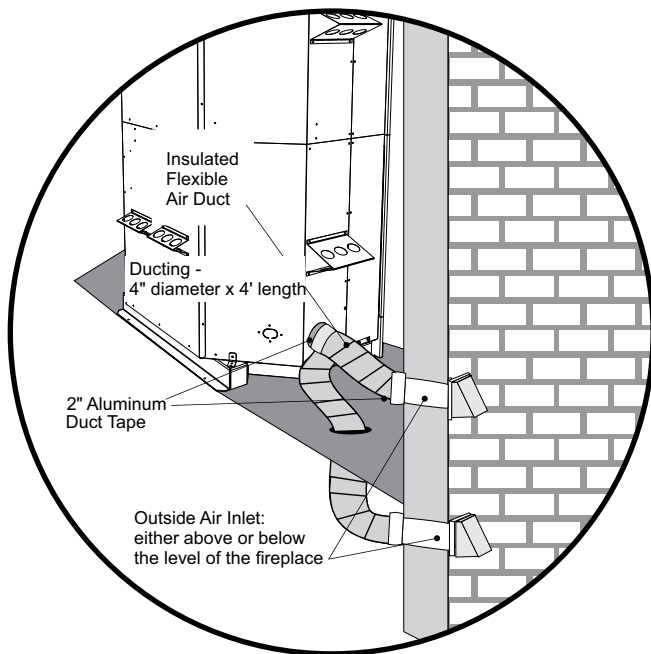
Outside Air Duct – Optional (Part# 096-915)

After the fireplace is correctly positioned, connect the outside air inlet of the fireplace to the outside (see adjacent Diagram).

The air inlet MUST be at least 5' below the top of the chimney flue and must never terminate in attic spaces.

A 4" diameter duct can be used if the total duct run is less than 20'. For longer runs, use 5" diameter duct.

1. Find a convenient location for the combustion air duct and outside air inlet. The outside air inlet can be above or below floor level.
2. Make a 4-1/4" (5-1/4" if using a 5" diameter duct) hole in the outside wall of the house. Push the outside air hood in from the outside. Seal the joint between the air hood and the outside wall with an appropriate sealant.
3. Place the insulated flexible duct over the round sleeve on the outside air hood. At both ends, carefully pull back the insulation and plastic cover, exposing the flexible duct. Then at each end, attach the duct with supplied metal screws to the air hood and to the fireplace connecting sleeve. Carefully push the insulation and cover back over the duct. Tape the plastic cover in place with 2" aluminum duct tape (not supplied).



Outside Air Connection and Installation Example

CAUTION: WHEN RUNNING THE DUCT AROUND CORNERS, AVOID CRUSHING THE DUCT WHICH CAN RESTRICT THE COMBUSTION AIRFLOW.

installation

Chimney System Considerations

Regency's CF780 Fireplace is to be installed with one of the following Chimney Systems only. Chimney systems only 8" (203mm) diameter are to be used that comply to ULCS 629 for CDN and UL103HT for USA.

The use of only one of these systems is permitted when installing the fireplace. Do not alter or mix parts from other systems as this may cause a potential hazard and void Regency's limited warranty.

DuraVent	DuraTech	1" Solid Pack	8" (20 cm)
DuraVent	DuraTech Canada (DTC)	1" Solid Pack	8" (20 cm)
DuraVent	DuraPlus HTC	2" Solid Pack	8" (20 cm)
DuraVent	DuraTech Premium	2" Solid Pack	8" (20 cm)
DuraVent (USA only)	DuraPlus	AC Triple Wall	8" (20 cm)
ICC	Excel 2100	1" Solid Pack	8" (20 cm)
Metal Fab	Temp Guard	1" Solid Pack	8" (20 cm)
Olympia Chimney	Champion Chimney System	1" Solid Pack	8" (20 cm)
Olympia Chimney / SBI Venting Division	Ventis	1" Solid Pack	8" (20 cm)
SBI Venting Division	Nexvent	1" Solid Pack	8" (20 cm)
Security Chimney	ASHT+	1" Solid Pack	8" (20 cm)
Security Chimney	S-2100 +	2" Solid Pack	8" (20 cm)
Selkirk	Ultra-Temp (UT)	1" Solid Pack	8" (20 cm)
Selkirk	Sure-Temp (ST)	1" Solid Pack	8" (20 cm)
Selkirk	Hart & Cooley (TLC)	1" Solid Pack	8" (20 cm)
Selkirk	UltimateOne	1" Solid Pack	8" (20 cm)
Selkirk	CF Sentinel (CF)	2" Solid Pack	8" (20 cm)
Selkirk	Super Pro 2100 (ALT)	2" Solid Pack	8" (20 cm)
Selkirk	Super Vent 2100 (JM)	2" Solid Pack	8" (20 cm)
Selkirk (USA Only)	Super Vent (JSC)	1" Solid Pack	8" (20 cm)
Metal Fab (USA only)	Metal Fab	Air Cool	8" (20cm)

Note: Anchor plates are provided by the chimney manufacturer and are required for all installations for all above chimney listings.

Chimney

This fireplace is certified for use with 8" chimney only. Please refer to Table 1 (E-F) (in this manual) for the minimum and maximum chimney heights permitted with the CF780.

TABLE 4 - MINIMUM RECOMMENDED FLUE HEIGHTS IN FEET FROM THE TOP OF THE FIREPLACE							
Elevation (ft)	0	2 x 15°	4 x 15°	2 x 30°	4 x 30°	2 x 45° **	4 x 45° **
0 - 1000	12'	13'	14'	15'	18'	16'	20'
1000 - 2000	12'6"	13'6"	14'6"	15'6"	19'	16'6"	20'6"
2000 - 3000	13'	14'	15'	16'	29'6"	17'	21'6"
3000 - 4000	13'6"	14'6"	15'6"	17'	20'	18'	22'6"
4000 - 5000	14'	15'	16'	17'6"	21'	18'6"	23'
5000 - 6000	14'6"	15'6"	17'	18'	21'6"	19'	24'
6000 - 7000	15'	16'	17'6"	18'6"	22'6"	20'	25'
7000 - 8000	15'6"	16'6"	18'	19'	23'	20'6"	25'6"
8000 - 9000	16'	17'	18'6"	20'	24'	21'	26'6"
9000 - 10000	16'6"	17'6"	19'	20'6"	24'6"	22'	27'

We recommend that the minimum height be increased by approximately 1' for every 2000' elevation above sea level. Every 15°, 30° or 45° elbow also increases the minimum height by 1'. For example, if you are living 6000' above sea level, your chimney should terminate at least 15' from the top of the fireplace (12' + 3' for the 6000'). See Table 4 for more precise recommended flue heights.

** 45 degree elbows are not permitted for use in the U.S.A.

installation

Chimney Installation

Read the all chimney installation manuals to review requirements for supports, bracing, anchors, etc. They can be found under your chimney selection. Refer to Table 1 (G) for the maximum chimney height that can be supported by the top of the fireplace.

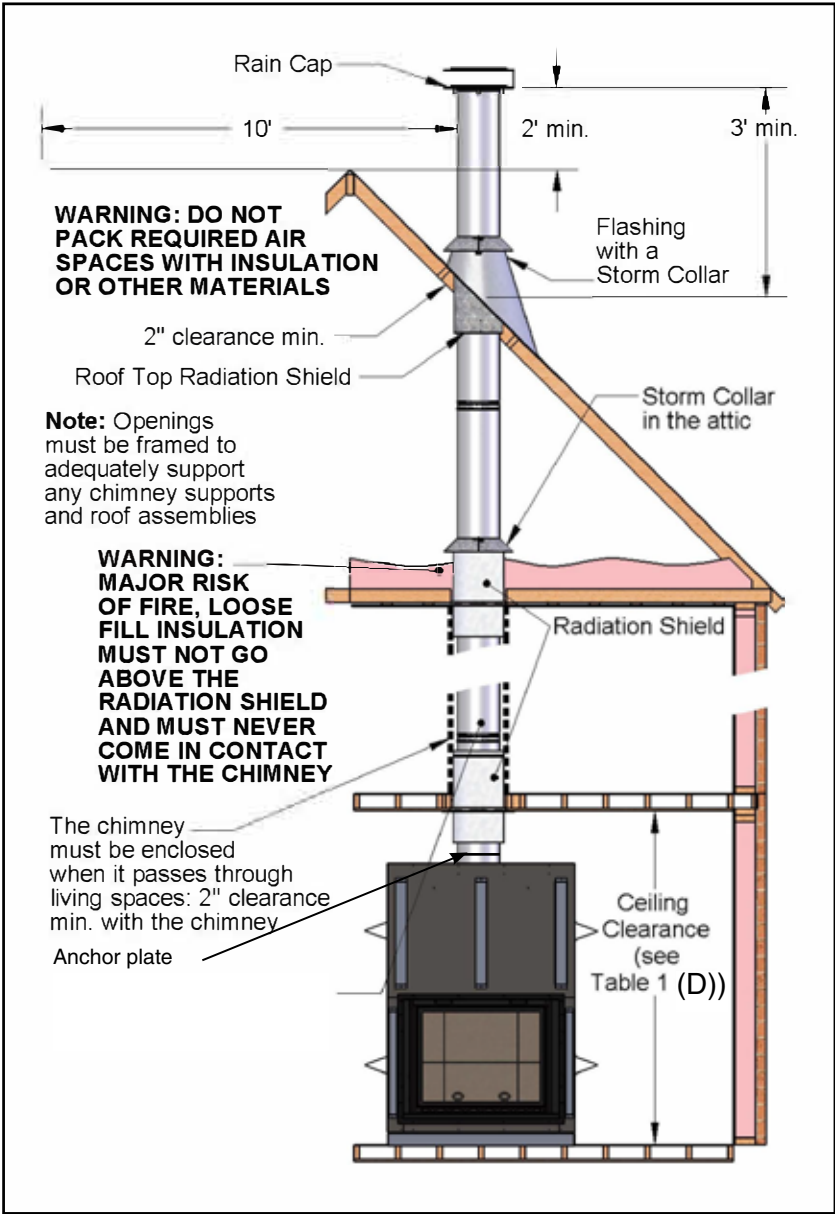
WARNING: THE CLEARANCE BETWEEN THE CHIMNEY AND COMBUSTIBLE MATERIAL MUST BE 2" OR MORE. DO NOT FILL THIS AREA WITH INSULATION.

1. Cut and frame the required holes in the floor(s), ceiling(s) and roof where the chimney will pass through. The rough opening in the framing must be sized in accordance with the specifications of the venting manufacturer.
 2. At each floor where the chimney passes through, you must install a radiation shield.
 - a. Start by locating the shorter circular shield and remove the screws that attach the ring at one end. Keep the ring and all the screws; you will need to reinstall it later.
 - b. Locate the firestop plate and bend the two tabs downwards so they extend through the circular cutout. Insert the shorter circular shield through the firestop plate. It will extend below the firestop plate and rest on the bent end.
 - c. Install this portion of the radiation shield from below into the framed opening.
 - d. Install some chimney lengths so that the chimney extends at least 24" above the floor structure.
 3. At the attic level, install a radiation shield as explained above and a storm collar.
4. At the roof, install a roof top shield. The two support brackets are adjustable depending on the flashing used and the roof pitch. To determine the position of the two support brackets, find the roof pitch in Table 5. Then identify the flashing that will be used to be able to find the associated installation number. Both support brackets need to be installed in the holes of the roof top radiation shield corresponding to the installation number.
 5. Put the roof flashing into place. Seal the joint between the roof and the flashing with roofing tar. For sloping roofs, place the flashing under the upper shingles and on top of the lower shingles. Secure the flashing to the roof with roofing nails or screws. **If using a ventilated roof flashing, ensure not to caulk or seal the ventilation openings in the manufacturer's flashing. Install in the proper orientation as per chimney manufacturers instructions.**
 6. Place the storm collar over the chimney and flashing. Seal it around the chimney with silicone sealer (**DO NOT use roofing tar**).
 7. Fit the rain cap on the chimney. Secure it tightly in place with the screws provided.

The chimney must extend at least 3' above its point of contact with the roof and at least 2' higher than any wall, roof, or building within 10' of it. If the chimney is higher than 5' above the roof, it must be secured using a roof brace.

For manufactured homes the roof thimble assembly shall extend completely through the ceiling/roof cavity of the manufactured home to the outer most plane of the roof.

Chimney Installation



NOTE: It is recommended to enclose chimney with proper clearances with blown-in insulation.

General Chimney Installation
Note: Nailing strips differ than shown in diagram

installation

Offset Chimney

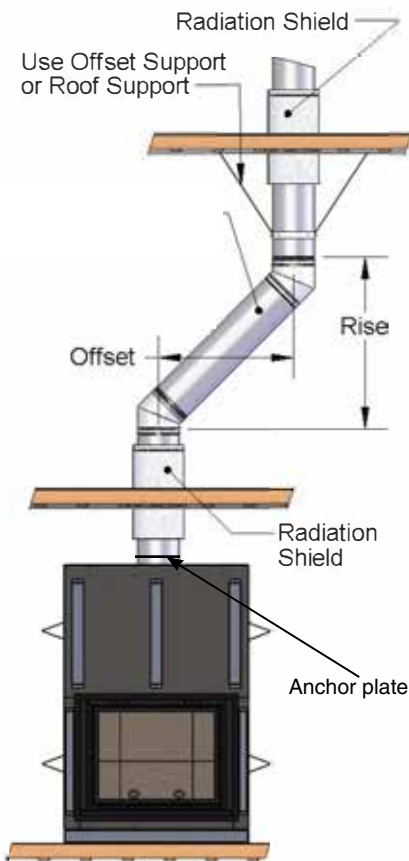
An elbow may be installed directly on top of the fireplace if required. Use the offset option if you need to clear a joist or pass around a cupboard. See following Diagrams for example.

- In **USA**: 30° Maximum - In **Canada**: 45° Maximum

The maximum number of elbows per system is four, resulting in two offsets and returns.

Install the fireplace and chimney as described earlier. When you require an elbow, proceed as follows:

1. Install the elbow. Turn it in the desired direction, and fasten it to the other section with 4 metal screws at the joints.



Offset Chimney Installation Example

Note: Nailing strips differ than shown in diagram

Through the Wall Offset: Gravity Kit must be installed

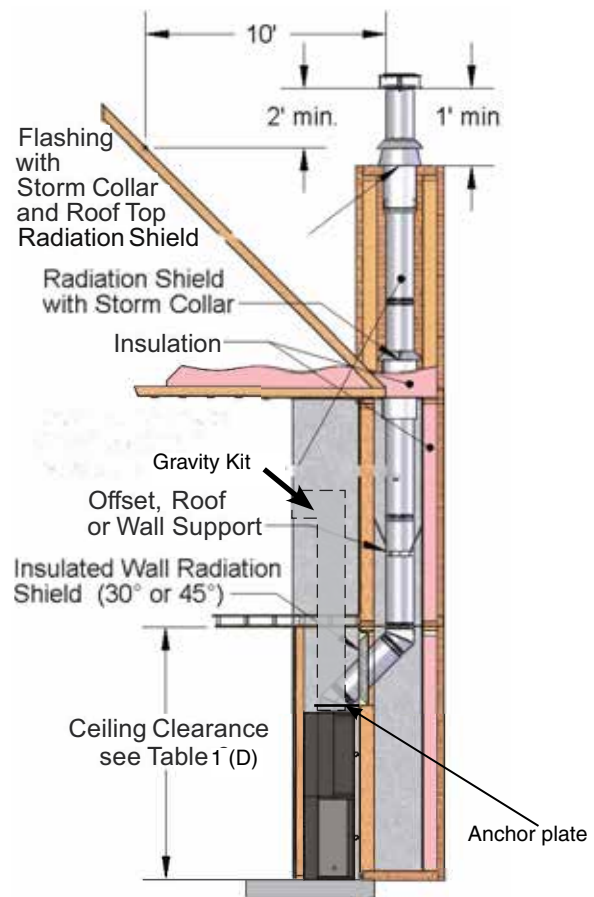
You can also go through a wall at an angle starting directly at the fireplace as depicted in Diagram below. An angled wall insulated radiation shield must be used wherever the chimney passes through an exterior wall.

Make sure to have enough ceiling height for your installation. If the ceiling height is too low for the planned installation you may want to consider installing the fireplace in an outside chase.

Refer to the angled wall insulated radiation shield installation sheets for detailed installation instructions.

2. Install enough lengths to obtain the desired offset. Secure each joint with 4 metal screws.
3. Use another elbow to return the chimney to the vertical direction. Again fasten it to the other section with 4 metal screws.
4. Install a roof support, a wall support, or an offset support above each offset to support the weight of the chimney (elbows are not designed to support the chimney above an offset).

NOTE: 'Through the wall offset' installation requires installation of the gravity kit along with chase ventilation grills. Failure to do so could result in severe overheating of the fireplace chase cavity.



Offset Chimney Through a Wall Example

Chase Enclosure

If the chimney runs up the outside of the house, we recommend that it be enclosed in a chase structure. The chase should be constructed in such a way that it is an extension of the home (see Diagram 15). It should be well insulated between the footings and the floor of the home to prevent heat loss. If the climate in your area is mild, insulate the chase at least to the first firestop. If the climate in your area is very cold, insulate the chase enclosure to the top to keep the chimney warmer, increase the draft, and reduce creosote buildup. We also recommend insulating the ceiling of the chase just as if it were in the attic space. This will prevent cold air from dropping down through the chase and into the room where the fireplace is installed.

The chase ventilation must be located on the inside of the home to prevent cold air and moisture entering the fireplace cavity and home.

Some local codes require that the walls be insulated, vapor sealed and sheathed with a fire rated gypsum board. We strongly recommend this procedure for all installations to prevent cold drafts from originating in the fireplace enclosure. If you follow this procedure, we recommend that you do not insulate the wall above the front of the fireplace.

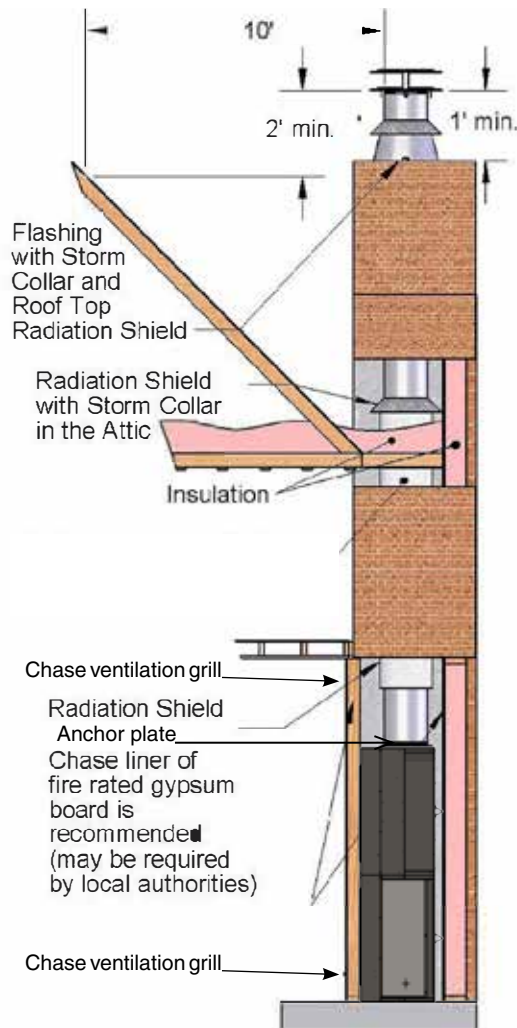


Diagram 15

CHECK LOCAL CODES FOR INSTALLATION REQUIREMENTS AND RESTRICTIONS IN YOUR AREA.

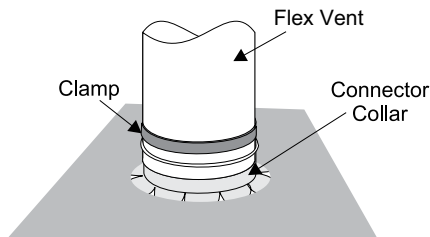
installation

Gravity Air Feed Kit Option

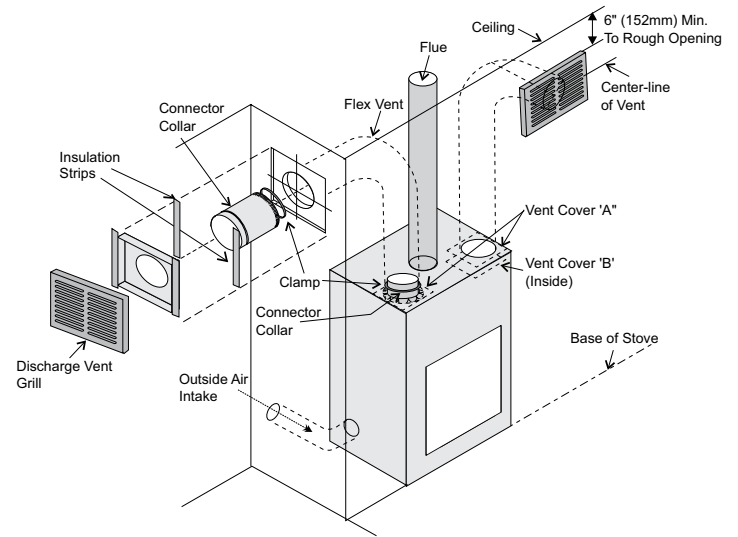
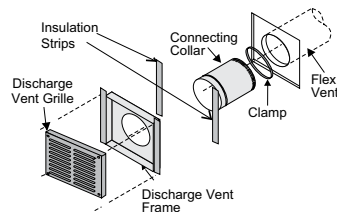
The Gravity Air Feed Kit is designed to extend the heat output vent above the CF780 to the front or the side. The flex vent is connected to the vent holes in the top of the unit and run to discharge vent grilles. Both 8" (203mm) diameter insulated Flex vents must be used along with the four grills.

Qty	Description
4	Connector Collars
4	Adjustable Clamps
2	5' lengths of flexible vent pipe (8" dia.)
2	Insulated Sleeves
1	Block Off Plate (Not required)
2	Discharge Vent Mounting Frames
7	1/4 - 20 x 1/2" Truss Head Screws
2	16 x 8 Discharge Vent Grills
4	#8 Drywall Anchors
4	Insulation Strips
1	Chase Vent Frame (Not required)

1. Remove the screw from the vent hole cover (Vent cover 'A') on top of the unit. Bend 3 remaining tabs up.
2. Take the connector collar and press and rotate it into the hole to cut through the insulation layer. Remove the collar and remove insulation from the collar. The screws for the inner cover should be exposed.
3. Remove the inner cover (vent cover 'B') and discard. Bend the 3 tabs back down.
4. Extend flex vent and pull the insulation sleeves over the 8" (203mm) diameter flex vent. Leave a short section of flex vent exposed at each end. On one end insert the collar into the flex vent and use a clamp to hold the flex vent in place.
5. Install the connecting collar into the top of the unit until the bead of the collar rests against the top of the inner top of the unit. Screw collar to appliance using the 3 tabs provided around the vent hole cover. Pull the insulation sleeve down to the top of the unit. Repeat steps 1-5 for the second flex vent and collar assembly.



6. Position the vent frames for the Discharge Grilles into the rough opening of the stud wall framing. Make sure to add two insulation strips behind the flanges of the frame prior to securing to wall. The frames will fit between studs framed at 16" (406mm) on center. Use 4 nails or screws to mount the frame to the stud framing.



7. Insert the connecting collar into the other end of the 5 ft. (1.5m) flex vent and use an adjustable clamp to hold the vent in place. Cut tabs into the rim of the connector collar (a minimum of 4 tabs will be required). Push the collar through the 8" (203mm) hole in the mounting frame. Use pliers to bend out tabs (minimum 4) to secure the collar to the mounting frame.
8. Pull the insulation sleeve up the flex vent to the back of the mounting frame. The flex vent should now be connected to both the unit and the mounting frames securely. Repeat steps 1-8 for the second flex vent assembly.

WARNING:

Chase vent of four grills of 28.5 sq inches MUST be installed in all applications, otherwise serious overheating of the chase may result. Use the chase vents supplied with the CF780 unit only or any equivalent one with the same or less restriction of air flow. Alternatively, you may chose to install two (2) larger grills, they must be 57 square inches each, one at floor level and one at ceiling level.

9. Recheck all flex vent-work connections to make sure that they are secure. Install wall sheathing and cut-out openings for the chase ventilation, and hot air discharge outlets.
10. Install the Chase Vent Grille and install the Discharge Vent Grilles for the hot air outlets.

NOTE:

There must be a minimum of 5" (127mm) between the gravity air vents.

Framing

The enclosure walls can be framed with any suitable materials (2" x 4" or 2" x 6" studs, plywood, gypsum board, etc.). Because of the high heat output potential of the CF780, combustible materials must NOT be used on the entire front of the unit. Use only steel studs, non-combustible board, and non-combustible materials.

Fireplace Facing

The CF780 MUST be covered with at least 1/2" cement board panels such as James Hardie HardieBacker® or USG Durock® cement boards. Either product will allow you to finish the facing of the fireplace with any non-combustible material you like.

Warning: Do not use gypsum boards on the face of the fireplace.

Covering the Fireplace Facing

Facing materials must be NON-COMBUSTIBLE such as metal, brick, slate or ceramic tile. Gypsum board is NOT an acceptable facing material. The only combustible material accepted on the facing of the fireplace is for a mantel (shelf and posts). Optional Furring strips can be added to the front of the appliance if using thinner material to complete the install. This will allow the front of the finished material to be flush with the front of the lintel to make it aesthetically pleasing. Note: All non-combustible facing material should butt up cleanly to the flanges around the firebox opening. Rough edges may be visible from an angle. To maintain a clean finished edge - facing material edges may be finished with a metal J-style trim or metal corner bead (both materials available at your local building or hardware store).

The cement boards can be painted, textured or tiled just as you would over gypsum boards. The lintels provided with the fireplace are appropriate for thin facing materials. A wider steel lintel may be required for heavy rock, stone, or brick. If so, contact your local sheet metal or masonry contractor for a custom steel lintel.

If you need to attach anything to the front of the fireplace make sure to close the guillotine door and firescreen before attempting to do so. Refer to Diagram 18 to know where you are allowed to screw. Use screws that penetrate by no more than 3/4" the front surface of the cement boards.

Any deeper penetration of the screw tip or placing the screws anywhere else will either prevent the proper operation of the firescreen and/or the guillotine door, or eventually cause difficulty dismantling the guillotine system.

CAUTION: IF ABSOLUTELY NECESSARY, YOU CAN SCREW INTO THE CEMENT FACING ELSEWHERE AS LONG AS THE SCREW TIP DOES NOT COMPLETELY PENETRATE THE 1/2" CEMENT BOARD PANELS.

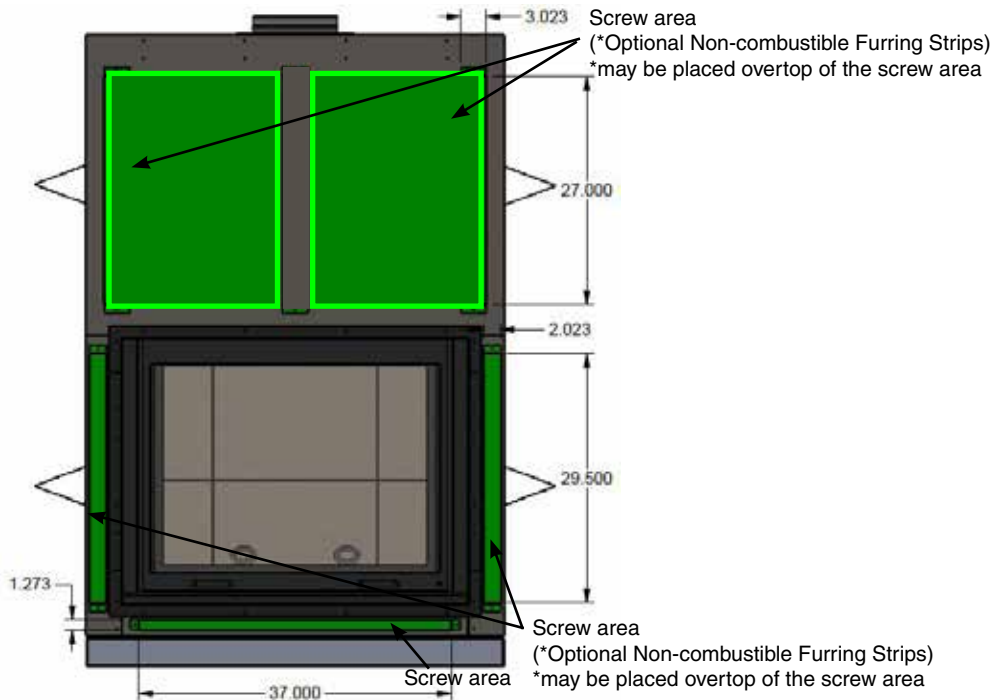


Diagram 18 - Permissible Screws Areas

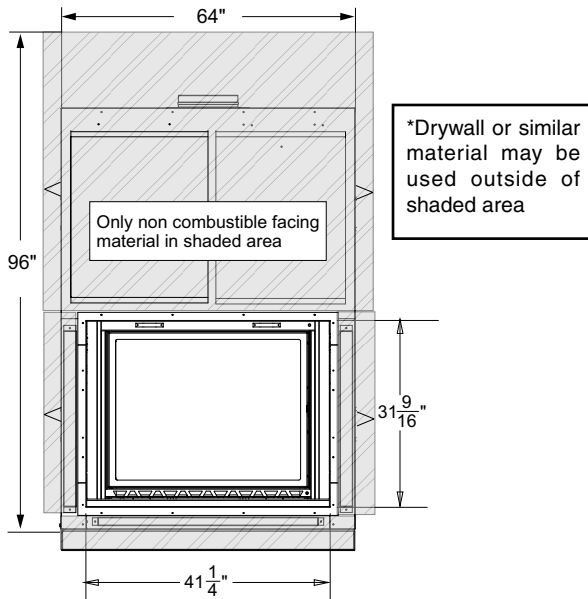
installation

Installing The Cement Board Panels

WARNING: MAKE SURE THE GUILLOTINE DOOR AND FIRESCREEN ARE BOTH CLOSED BEFORE INSTALLING THE CEMENT BOARD PANELS.

Refer to Diagram below for minimum area that **MUST** be covered by the cement board along with recommended minimum dimensions for the various cement panels to be prepared and installed.

Make sure to use 1" wood screws and only screw where specified in Diagram 18 otherwise you may damage the guillotine system or impede its operation. Depending on your desired installation for the hearth extension, you need to, or not, install the bottom panel (see the Hearth Extension section).



Cement Board Panels Minimum Dimensions

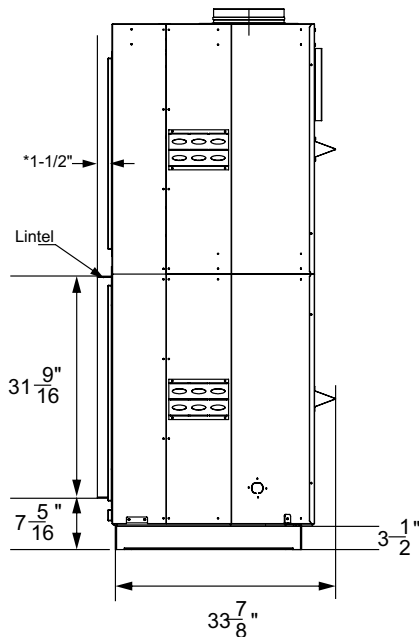
Confirm that you have not impeded the normal operation of the firescreen and the guillotine door by slowly moving them up and down.

Attach the cement boards. The screws will grab into the metal of the finishing covers offering more strength.

Screws only in areas shown in this diagram.

NOTE: Damage to the guillotine system could result if screws are installed outside of area allowed.

NOTE: Depending on the finish chosen for the unit, furring strips may be used—if required.



Side View

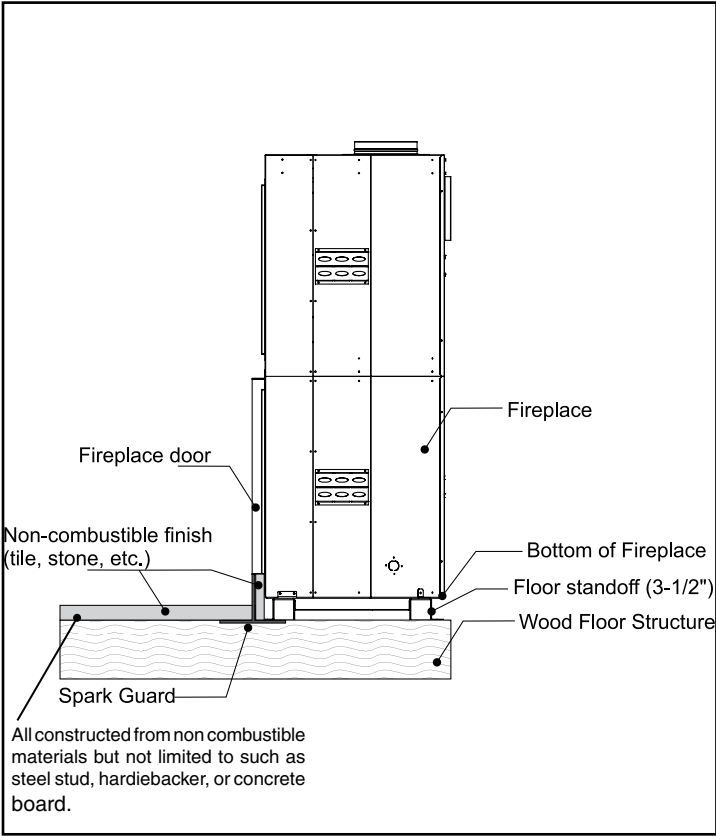
* This allows for 1-1/2" (38 mm) of facing material to be added to the perimeter of the lintel. If using thinner material furring strips can be added to reduce the depth of lintel.

Spark Guard

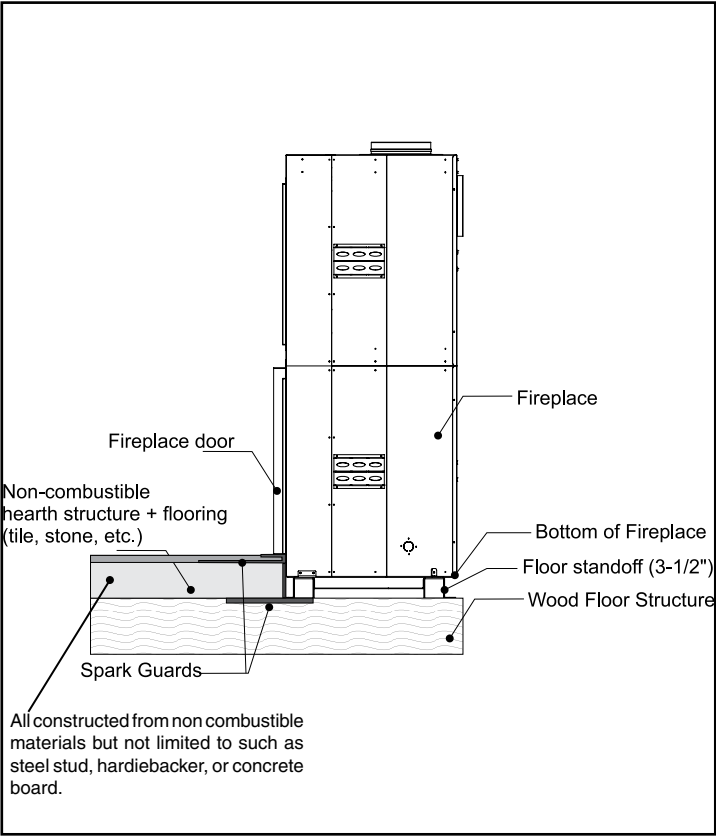
The spark guard provided must be installed 2-1/2" under the fireplace bottom standoff and 2-1/2" under the hearth extension, centered on the fireplace opening. It is dimensioned so that it will also cover the entire floor area under the metal front step of the fireplace (see Diagrams below). This guard prevents sparks from lodging in this area and starting a fire. It is required to use sealing strips of non-combustible materials between the fireplace hearth and the fireplace hearth extension or to use of a sand-cement grout between the hearth and an on site constructed hearth extension.

If you are installing the fireplace on a raised hearth, you will need a second spark guard (not provided) with the same dimensions as the one we have provided. One spark guard will be installed at the floor, below the spark guard will be installed at the base of the fireplace itself. Both spark guards must be centered on the fireplace opening.

Regular Spark Guard



Raised Fireplace Spark Guard



Hearth Extension Examples

WARNING: SPARK GUARD TO BE INSTALLED ONLY AS ILLUSTRATED.

installation

CF780 Brick Installation

Note: Brick installation for units from Serial #472000044 to present.

The CF780 has 2 options for the bricks that line the interior of the firebox. One of the two options **MUST** be installed.

1. Carefully unpack brick liners; the bricks are heavy, handle with care. Refer to brick layout (Diagram 1 below) to identify bricks.

See diagram to ID brick 1,2,3,6,7,8.

Bricks 1,2 and 3 are all flat on the bottom.

Bricks 7 and 8 are beveled on the outside top corner.

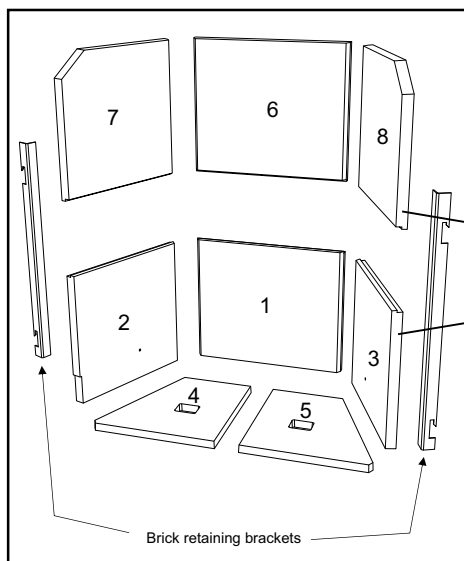
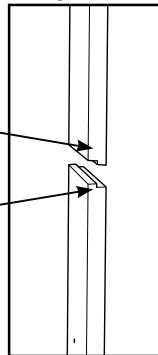


Diagram 1 - Brick Layout

Orientation of # 6,7,8 upper bricks with tongue in back



Orientation of # 1,2,3 lower bricks with tongue in front

2. Slide firescreen and glass door up and out of the way.
3. Remove three (3) center retaining brackets (circled in Diagram 2), shared with vermiculite insulation bricks, by removing 2 screws each.

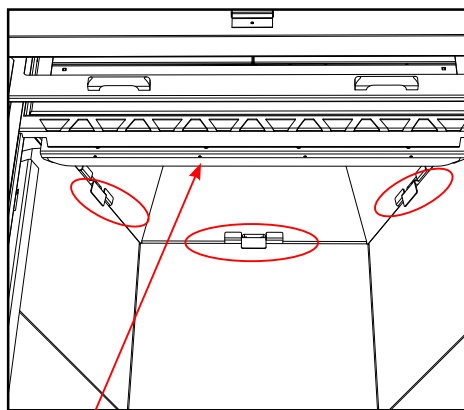


Diagram 2 - Remove Smoke Deflector + Support

4. Remove smoke deflector and support (2 pieces) by lifting up and out.
5. Install lower center brick (1) and hold in place.
6. Install the 3 firebox base vermiculite bricks (2 sides/1 center) that came with the appliance.

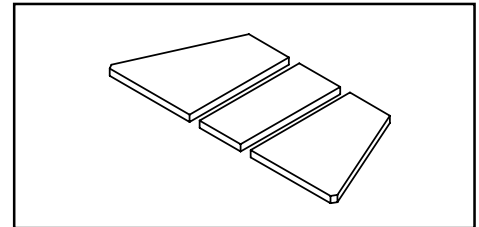


Diagram 3 - Vermiculite Bricks

7. Install brick (4) and one andiron on floor of firebox on top of vermiculite bricks. Rotate the andiron slightly so that its top slides thru the hole in the brick (see diagram 4 below). Place brick (4) and andiron in the center of vermiculite bricks—then slide to the left. Install brick (5) to the right of brick (4). Repeat this step to install the second andiron.

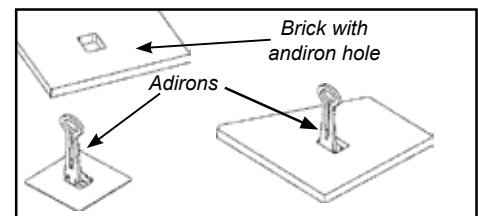


Diagram 4

8. Install lower right brick (3).
9. Install lower left brick (2). The side brick will hold the back brick in place.
10. Install centre back upper brick (6), reinstall the center bracket (removed in Step 3) with 2 screws.
11. Install left back upper brick (7), reinstall the center bracket (removed in Step 3) with 2 screws.
12. Install right back upper brick (8), reinstall the center bracket (removed in Step 3) with 2 screws.
13. Reinstall smoke deflector support and smoke deflector.
14. Hook on left and right brick retaining brackets.

Fire Dog Installation

1. Slide the fire dogs through the andiron pushing them to the back wall of the unit until they reach the back brick as shown in Diagram 5 below.

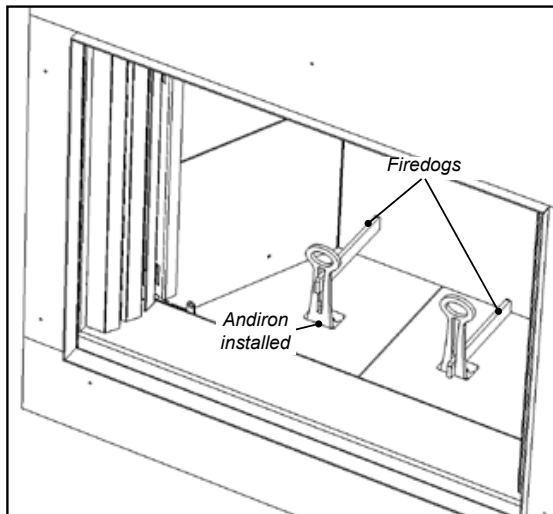


Diagram 5 - Andirons

installation

Gas Log Installation

CAUTION:

The decorative gas appliance shall be installed in accordance with the Natural Gas Installation Code, CAN/CGA-B149.1-M95. CAUTION: Gas logs shall be certified for the application. When installed, the chimney damper shall be permanently secured in an open position to effectively vent the appliance. The log sets need to be certified to ANSI Z21.60/CSA 2.26-2017 to be installed in the fireplace. Do not operate a gas log set in this fireplace with the chimney removed. Keep door fully open when gas logs are used. When burning gas in the fireplace, adjust damper to the fully open position.

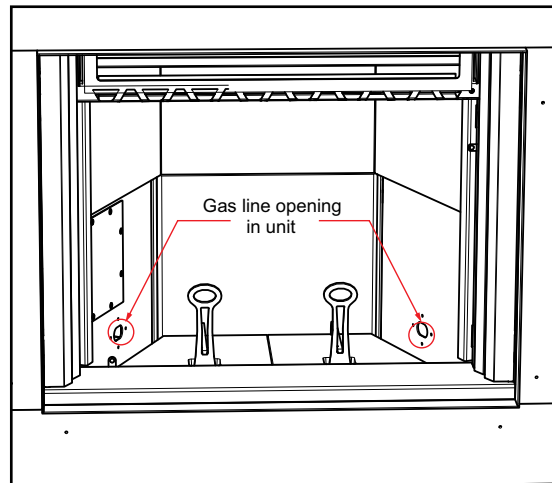
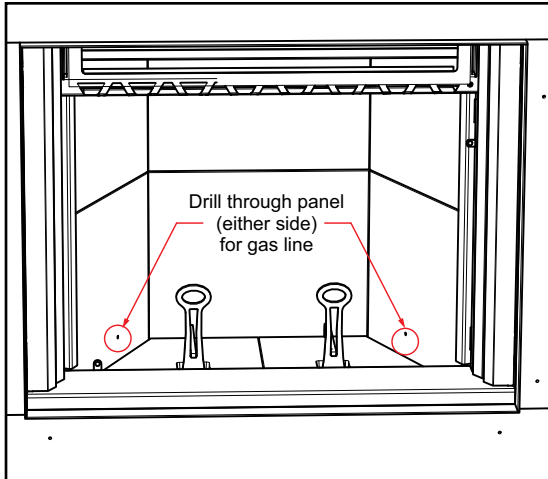
Maximum Dimensions of Unvented Log Set:

- Front Width: 32"
- Rear Width: 19"
- Depth: 15"

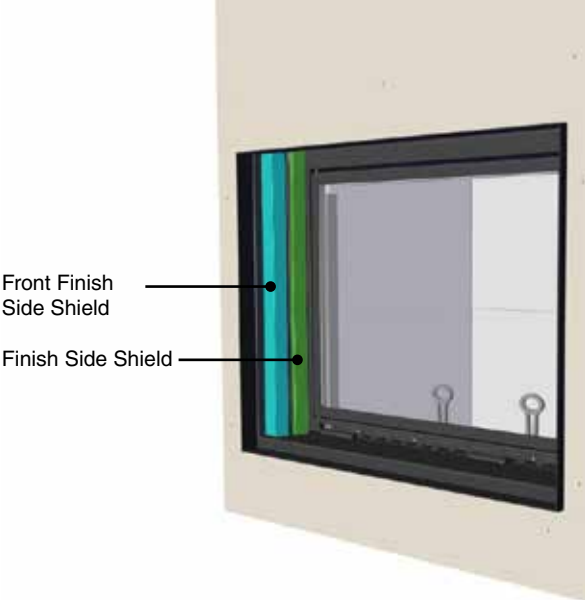
Note: When installing gas log set—andrions must be removed and 4 bolts put back into place.

- It is mandatory that the flue damper is set open for use with vented type gas log sets.
- Do not operate an unvented gas log set in this appliance with the chimney removed
- Before installing or operating the gas log set, ensure all refractory bricks and insulation are installed and in good working order.
- This appliance has been tested for use with manufactured gas log sets (max. 56,000 BTUs).
- When vented type log sets are used, the flue damper must be affixed open.
- This appliance has been tested for use with manufactured unvented gas log sets (max. 40,000 BTUs).

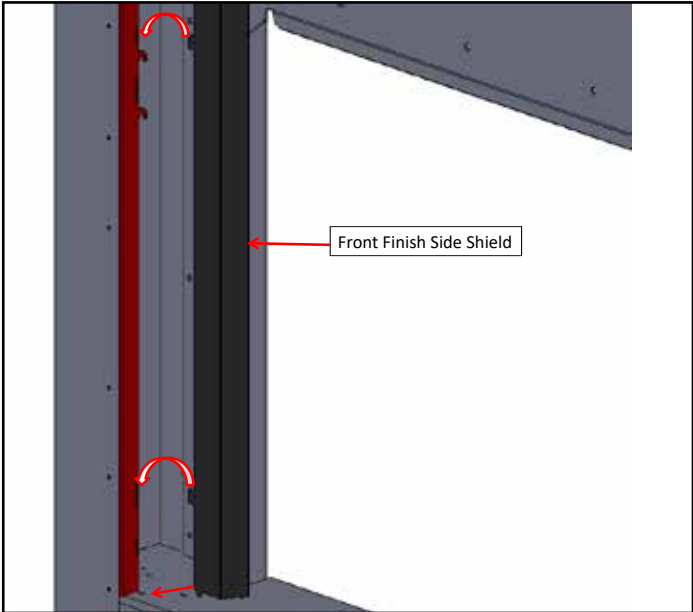
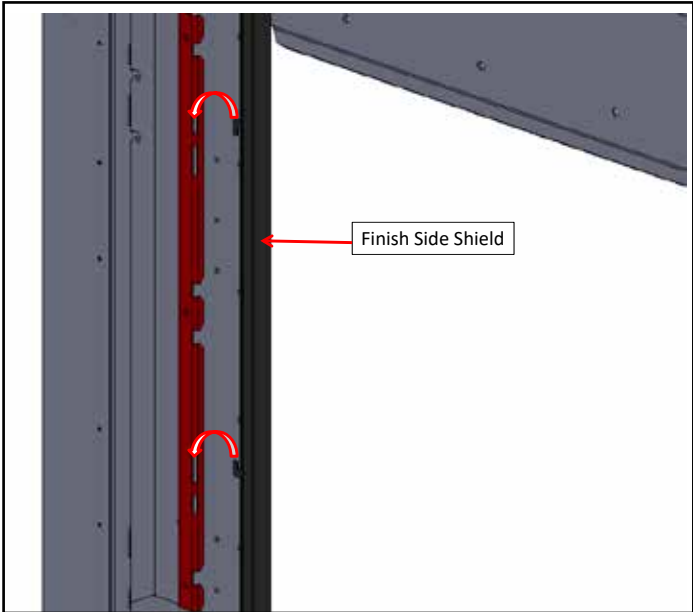
1. Determine which side the gas line will enter the unit and remove the gas opening punch out from the outside of the unit.
2. Slide up the screen door and glass door (instructions in this manual, if required).
3. Drill through the brick panel on the side chosen to bring in the gas line using a masonry bit. Drill carefully as brick panels are prone to cracking.
4. Bring the gas line through the unit and install gas log set.



Side Shield Installation



- 1. Open the firescreen and glass door.
- 2. Install the "Finish Side Shield" (smaller of the 2 finished pieces) into the locked slots located on the bottom and side, directly in-between the firescreen and glass door.
- 3. The "Front Finish Side Shield" is placed into similar slots located in front of the firescreen door.



operating instructions

Lighting the CF780

To light a fire in your CF780, place a few pieces of bunched up paper under and between the andirons. Then add a generous layer of kindling stacked vertically over the paper. Finally, stack 2-3 small-medium size logs over the kindling so that they are standing upright, light the fire, and close the firescreen. After the fire is established, you can add more wood and close the door or the firescreen, whatever your preference. Either the door or the firescreen should always be closed when the fire is burning. To minimize the emissions do not close the door until the fire is burning briskly.

Never use flammable liquids.

WARNING: USE ONLY THE ANDIRONS PROVIDED WITH THE FIREPLACE.

Always build and maintain the fire behind the andirons, never against or close to the glass door or the firescreen. Never remove log retainer.

Controlling Your Fire

The CF780 fireplace is designed to provide warm radiant heat. Although it does not come with a draft control, you will find that you can control the intensity of the fire and the quantity of flames quite well by varying the size and placement of the logs, and by burning it with either the door or the firescreen closed.

Since the burn time is the same when the fireplace is burned either with the door closed or the firescreen closed, choosing between the two burning modes will depend on the outside temperature and your personal preference.

The CF780 is more efficient when burned with the door closed. Although more radiant heat will enter the room with the door open, heat from the home is being lost up the chimney. Feel free to burn your fireplace with either the screen or door closed, but the door should always be closed when no fire is burning to prevent cold air infiltration into the home.

For a cooler fire, load 3 to 4 small logs (3" diameter) either lying down on the andirons or standing up in a teepee-style and burn your fireplace with the firescreen closed.

For a warmer fire, load 3 to 4 medium logs (5" diameter) or 2 to 3 large logs (6" diameter) either lying down on the andirons or standing up in a teepee-style and burn your fireplace with the door closed.

Even though the firebox is quite big, you will soon discover that it is unnecessary to load a lot of wood to get magnificent flames. Be careful not to overload your fireplace, you will risk over firing your fireplace and overheating the room in which the fireplace is located. You will get greater satisfaction looking at a couple of small logs burning.

Please read the Warning related to overfiring the fireplace in the "SAFETY FIRST" section of this manual.

Refueling

Fuel wood can be of any species but the fireplace will not burn cleanly or efficiently unless the wood is dry and well-seasoned. Keep your firewood under cover.

The door should be opened slowly to keep smoke from spilling into your room. If you have a problem with smoke spillage, check to see that all kitchen and bathroom fans have been shut off. They can cause negative pressure in the house which pulls smoke out of the fireplace.

Seasoned Wood

Whether you burn wood in a fireplace, stove or insert, good quality firewood is the key to convenience, efficiency and safety. Wet wood and pieces that are not the right size and shape for your wood burner can be frustrating, burn inefficiently and deposit creosote that can fuel a dangerous chimney fire. Good planning, seasoning and storage of the firewood supply are essential to successful wood burning.

- Stack the wood in separate rows in an open location where the summer sun can warm it and breezes can carry away the moisture. Do not stack unseasoned wood tightly in an unvented storage area.
- Do not allow firewood to lie on the ground for more than a couple of days before stacking. Mould and rot can set in quickly.
- Stack the wood up off the ground on poles, lumber rails or pallets.
- The top of the pile can be covered to keep off rain, but do not cover the sides.

Softer woods like pine, spruce and poplar/aspens that is cut, split and stacked properly in the early spring may be ready for burning in the fall. Extremely hard woods like oak and maple, and large pieces of firewood, may take a minimum of a full year to dry enough. Drying may also take longer in damp climates.

There are a few ways to tell if wood is dry enough to burn efficiently. Use as many indicators as possible to judge the dryness of the firewood you are considering.

Here are ways to judge firewood moisture:

- Using a moisture meter, select the species of fuel and then penetrate the pins into a split piece. Ideal moisture and seasoned firewood should be less than 20% moisture content.
- Checks or cracks in the end grain can be an indication of dryness, but may not be a reliable indicator. Some wet wood has checks and some dry wood has no checks.
- The wood tends to darken from white or cream colour to grey or yellow as it dries.
- Two dry pieces banged together sound hollow; wet pieces sound solid and dull.
- Dry wood weighs much less than wet wood.
- Split a piece of wood. If the exposed surface feels damp, the wood is too wet to burn.

Flue Damper Control

IMPORTANT: This flue damper control is not intended to regulate draft up the chimney

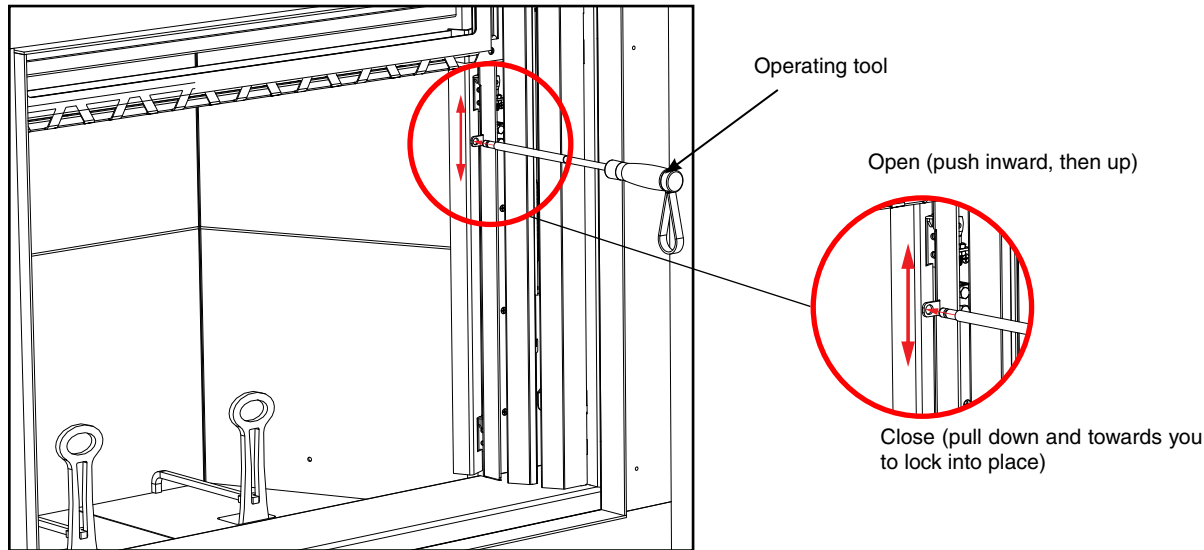
This flue damper control is either fully open or fully closed.

The flue damper must be **FULLY OPEN** prior to lighting fireplace or there will be draft related problems and smoke spillage within the room.

The flue damper should be **FULLY CLOSED** when the appliance is not in operation to minimize cold air infiltration.

To minimize the risk of injuries or burns, do not to touch the external air control and the surrounding parts with your bare hands while the fireplace is hot. They may be hot enough to burn.

1. Slide up the screen door and glass door (instructions in this manual, if required).
2. Insert operating tool into damper control lever located on the right side (when facing the unit).
3. Slide damper lever up to open and down to close.
4. Close glass and screen door.



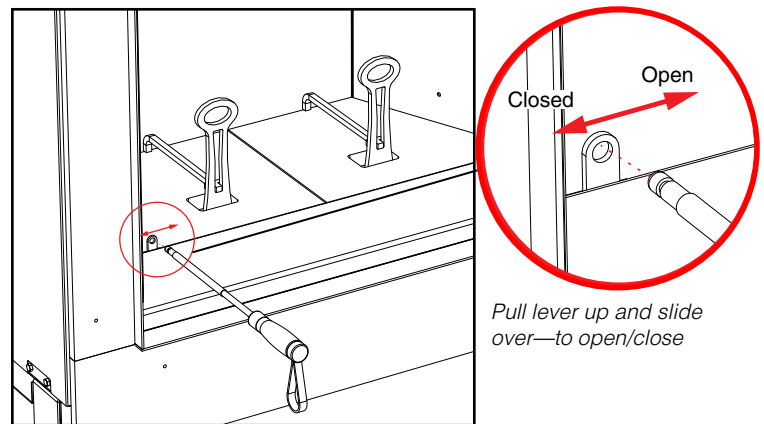
Outside Air Control

The CF780 is designed to have optional outside air. The control for the outside air is located on the left side beyond the door rail (see Diagram). This control closes the damper when not in use.

You need to fully open the door and the firescreen to have access to the external air control.

To minimize the risk of injuries or burns, do not to touch the external air control and the surrounding parts with your bare hands while the fireplace is hot. They may be hot enough to burn.

When the round portion of the external air control is pushed to the right, the outside air damper is open. When it is pushed to the left, the outside air damper is closed. Use your door handle or a gloved hand to open or close the air control when the fireplace is hot.



Outside Air Control Location

Do not use force to move the control, it should move freely about its pivot point. A spring keeps it open or closed, it will not change position by itself.

Even though the fireplace can be operated with the outside air damper closed, we recommend always using outside air for combustion when burning the fireplace with the door closed. Outside air is generally colder and denser it will help keep your glass cleaner. In some cases this fresh air will also help compensate for negative pressure problems within the house; however it will not prevent the fireplace from smoking in a severely depressurized house.

We also recommend using outside air for combustion when burning the fireplace with only the firescreen closed. It will help reduce the depressurization of the house caused by burning the fireplace with the firescreen.

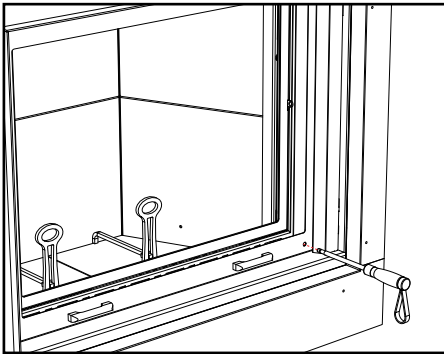
This control should be closed when the fireplace isn't burning to prevent cold air infiltration. It is sealed with a gasket.

operating instructions

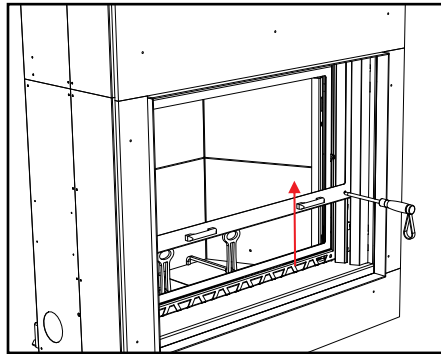
Firescreen Operation

To open screen door, use the supplied operating tool.

1. Place the tool in opening in the bottom right corner of the screen and lift up.
2. Pull doors down using the door tool to close doors.



Screen & operating tool



Use operating tool to lift screen

Note: Fire screen must be fully closed during operation.

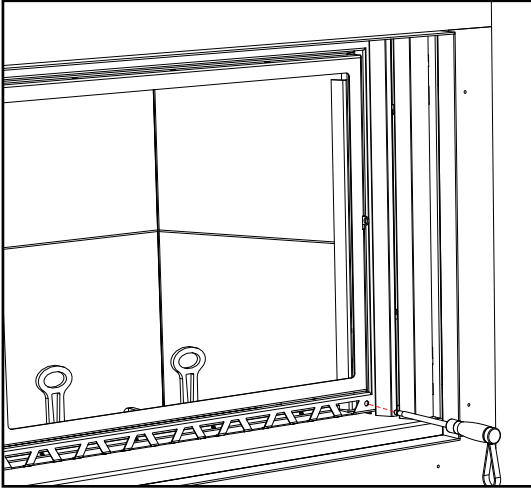
Ensure you have established a hot fire before using the fire screen.

Only use fire screen door frame (Part #096-513) provided with appliance.

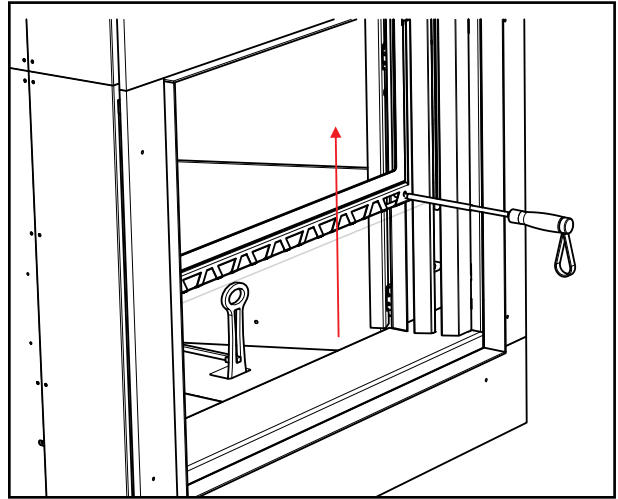
Glass Door Operation

To open glass door, use the supplied tool.

1. Slide up screen door (see previous page).
2. Place the tool in opening in the bottom right corner of the glass door and lift up.
3. Pull door down using the door tool to close doors.



Glass Door & door tool



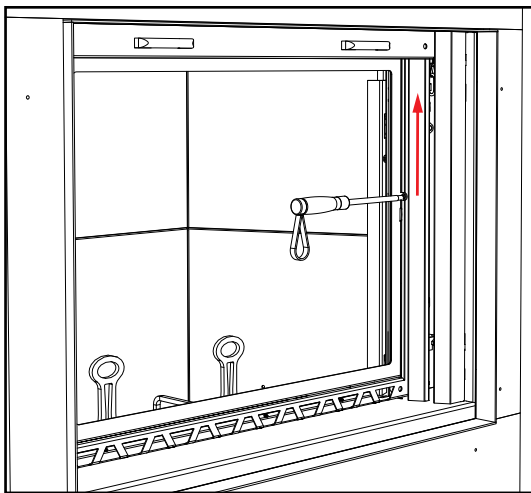
Use tool to lift glass door

Note: Glass door must be fully closed during operation or fully open with the fire screen fully closed.
Only use door assembly (Part #096-547) and glass (Part #940-505/P) provided with appliance.

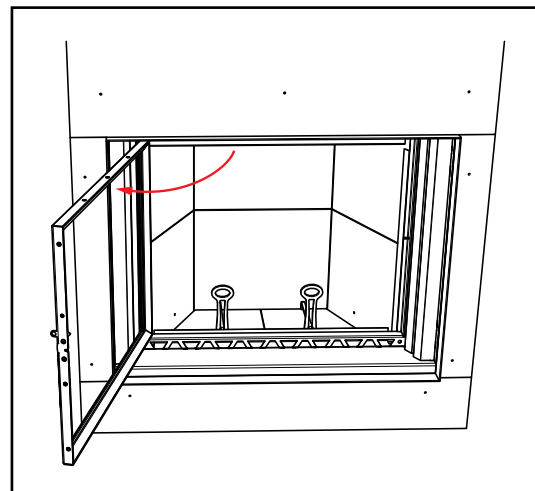
Glass Door – Open for Cleaning

To open glass door, for access to clean the inside of the glass, use the supplied tool.

1. Slide up screen door (see previous page).
2. Place the tool in latch on the right side of the unit (when facing unit).
3. Pull latch up to release door.
4. Swing door open—clean glass as per glass cleaning instructions in this manual.
5. Reverse steps to close door.



Door tool in door latch



Swing door to the left to open

maintenance

General Cleaning

Any black painted portion of the fireplace can be cleaned with a soft damp cloth. Use a mild detergent and water. Do not use abrasive cleaners.

Touch up Paint

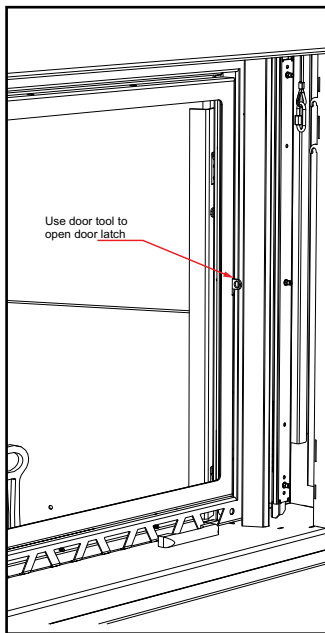
You can touch up the face of the CF780 with *Stove Bright Metallic Black* high temperature paint which is available at most fireplace dealers. Follow the directions outlined on the spray can. **DO NOT** attempt to paint the fireplace while it is still warm. Keep the spray can away from any source of heat or open flame. Ensure that there is adequate ventilation in the room from the time you start painting until the paint is dry. Stove Bright is available in a wide range of colors if you want to change the color of your fireplace.

We recommend that you take the time to protect or remove any items that you do not want to paint such as: the door glass, the fireplace surroundings, etc. The glass can be removed from the door but you will have to replace the door and glass gaskets.

Glass Cleaning

Depending on how you burn your CF780, temperatures may not always be hot enough to keep the glass perfectly clean. Having a good hot fire regularly usually cleans off most of the deposits that have accumulated. Remember: the dryer the wood and the hotter the fire, the cleaner the glass. A word of caution: although heat will not break the glass, impact can. Be careful not to hit the glass.

WARNING: NEVER CLEAN THE GLASS WITH AN ABRASIVE CLEANER. USE ONLY A CLEANER RECOMMENDED BY YOUR DEALER. NEVER CLEAN THE GLASS WHILE IT IS HOT, A SERIOUS BURN CAN RESULT. THERE ARE A NUMBER OF EXCELLENT WOOD STOVE GLASS CLEANERS AVAILABLE WHICH ARE FAR SUPERIOR TO REGULAR GLASS AND OVEN CLEANERS.



Glass Door Latch - Diagram 1

The door can be swung open in order to clean the glass. First, lift the firescreen completely and remove any objects that may be on the hearth that could prevent the glass door from opening. (see Diagram 1). Be careful not to lift too high or the door may bind against the firescreen.

CAUTION: Do not build fire past log retainers/close to glass

WARNING: Do not use substitute materials.

WARNING: Do not slam, abuse glass door. Do not use if the glass has cracked.

Glass door must be replaced prior to use.

Chimney Cleaning

A fireplace as clean burning as the CF780 does not produce a lot of creosote but the chimney should still be inspected for creosote buildup after a couple of months of using it. This will allow you to visualize the amount of creosote that is accumulating and adjust the frequency of chimney inspection accordingly. Depending on how you burn your CF780, you may need to clean your chimney every year or every other year.

A buildup of ¼" or more should be cleaned before more creosote accumulates. Use a 8" round brush.

Remove chimney cap for access to chimney for cleaning.

Disposal of Ashes

Remove the ashes before they become too deep, i.e., before you have a spillage problem over the ash step refractory brick.

The ashes should be placed in a metal container with a tight-fitting lid. The closed container of ashes should be placed on a non-combustible floor or on the ground, well away from all combustible materials pending final disposal. If the ashes are disposed of by burial, or otherwise locally dispersed, they should be retained in the closed container until all cinders have thoroughly cooled.

Guillotine System

Components of the guillotine system have been designed to limit the requirement for maintenance and overhaul.

The guillotine door and firescreen are designed to operate without having to exert force. If at any time you feel like you have to apply force to get the door or the firescreen moving, something is wrong. Do not force it, you could damage or break something.

To ensure easy operation of both the guillotine glass door and the firescreen, we recommend that you lubricate the guide rails at the beginning of every burning season. Completely open the firescreen and the guillotine door. Apply a quantity of the high temperature grease (regular grease will not withstand the heat of the fireplace) on each guide rail (left and right) just below the bottom of the door and move your door up and down a couple of times to distribute the grease all over the guide rail. Repeat for the firescreen. You can purchase high temperature grease at your local hardware store.

WARNING: DO NOT USE TEFLON-BASED OR SILICON-BASED PRODUCT BECAUSE THEY ARE NOT MEANT TO BE USED IN A HIGH TEMPERATURE ENVIRONMENT. BURNED TEFLON TURNS INTO A DEADLY FUME.

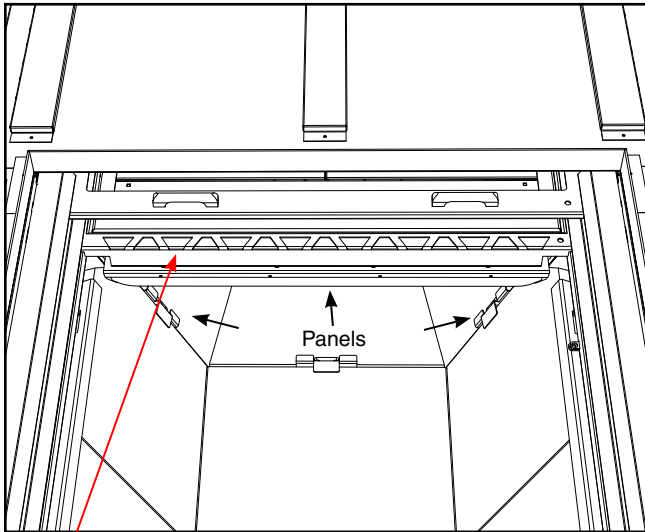
If for any reason, you need to dismantle the guillotine system, complete instructions are available.

Brick Cleaning

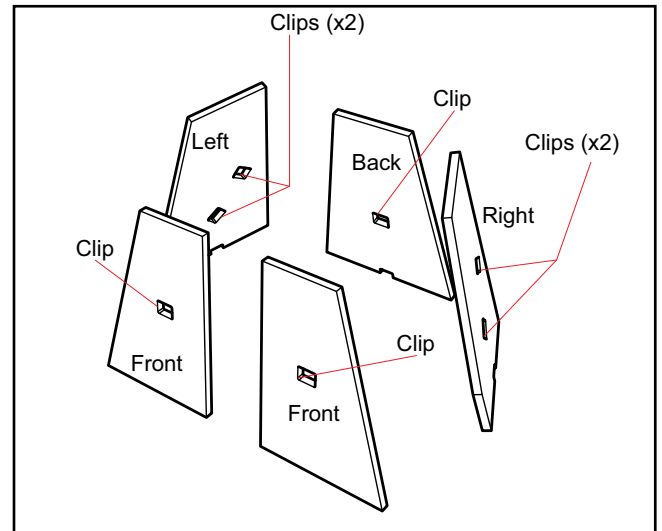
When the fireplace is cold, use a damp, soft cloth and wipe down the bricks to remove soot deposits. Hairline cracks in the bricks are normal due to rapid temperature differences. These cracks do not affect safety or performance.

Vermiculite Smoke Chamber Panel Replacement

1. Slide screen door and glass door up and out of the way.
2. Remove smoke deflector (2 parts) in front by lifting up and out.
3. Each insulation panel is held clips secured by 2 screws each.
4. See diagram below to ID each panel and number of clips needed to be removed. When centre clip(s) have been removed, panel can usually be lifted up on off the lower clip, without removing it.
5. Remove centre clips and lift panel up off lower clip and remove from unit.
6. Remove panels if damaged and replaced if required.
7. Reverse steps to reassemble unit.

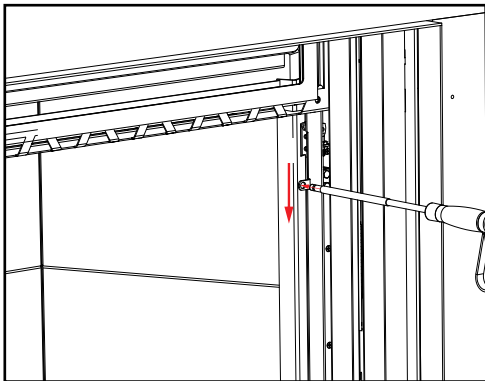


Remove the smoke deflector

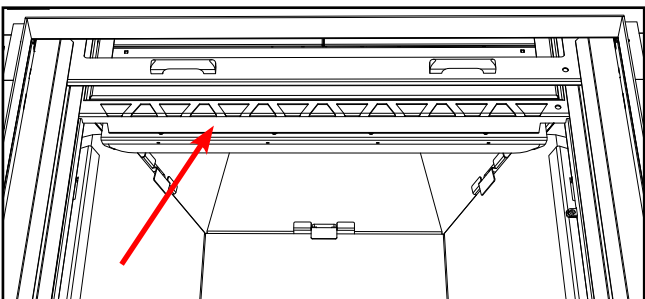


Replacing the Top Damper

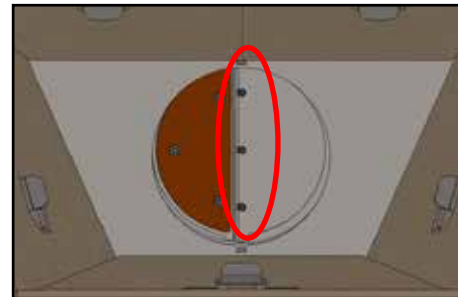
1. Close the top damper by setting the flue control on the side in the locked position, by pulling damper control down.



2. Remove the smoke deflector (as shown in the image below) by lifting it up and over the flange it is sitting on.



3. From inside the unit remove the 3 socket head caps screws (they use a 5/16" Allen key) across the top flue damper.



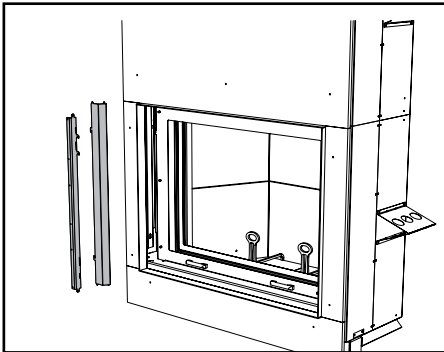
4. With the screws are removed, jiggle the damper slightly to release it.
5. Ensure the weight is facing you when attaching the new damper.

maintenance

Firescreen Replacement

WARNING: THE COUNTERWEIGHTS IN THIS UNIT ARE VERY HEAVY AND CAN CAUSE INJURY. USE CAUTION WHEN REMOVING DOORS, COUNTERWEIGHTS, OR CABLES. ALWAYS ENSURE CABLES ARE SECURED WHEN REMOVING DOORS.

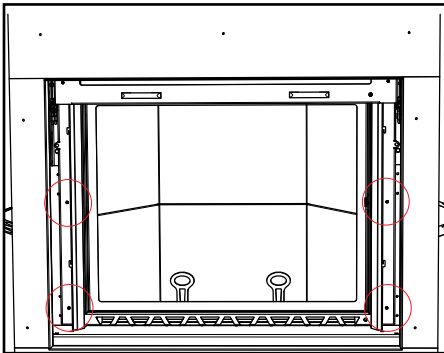
1. Remove the side shields (2 from each side) by unhooking from unit and lifting up and out.



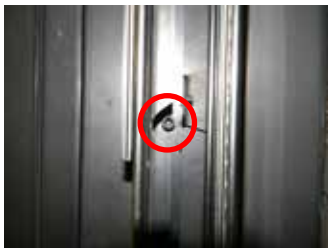
Remove side shields

2. Slide the screen door up and out of the way.

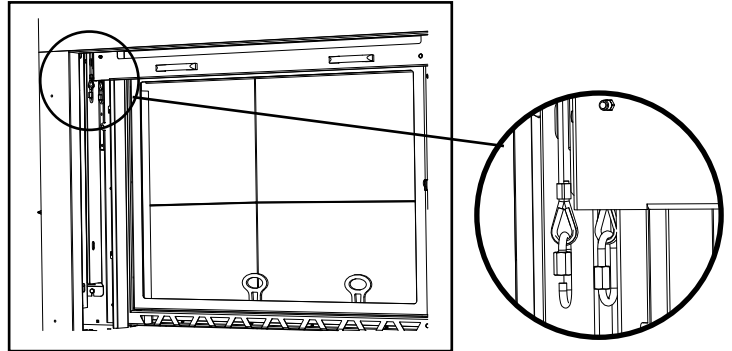
3. Using an Allen key—remove 2 screws on each side (located behind the door tracks) in locations shown below.



Remove 4 screws

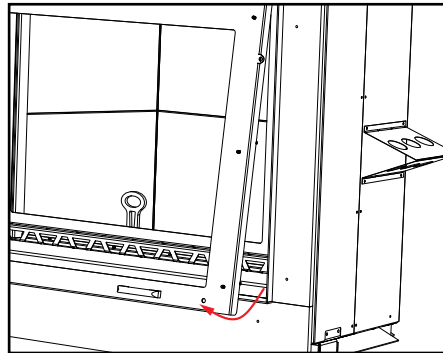


4. Release the mesh door from the counterweights (front + back).



Release firescreen from counterweights

5. Slide the screen door forward past the clean edge, tilt the bottom outward to remove.



Tilt bottom of screen out to remove

Glass Replacement (5mm Neoceramic Glass)

WARNING: THE COUNTERWEIGHTS IN THIS UNIT ARE VERY HEAVY AND CAN CAUSE INJURY. USE CAUTION WHEN REMOVING DOORS, COUNTERWEIGHTS, OR CABLES. ALWAYS ENSURE CABLES ARE SECURED WHEN REMOVING DOORS.

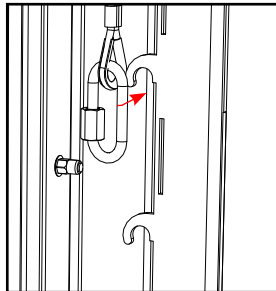
Removing the Glass Door / Latch / Complete Frame

1. Remove the attached screen connector below by taking out the 2—7/16" Hex bolts as shown.



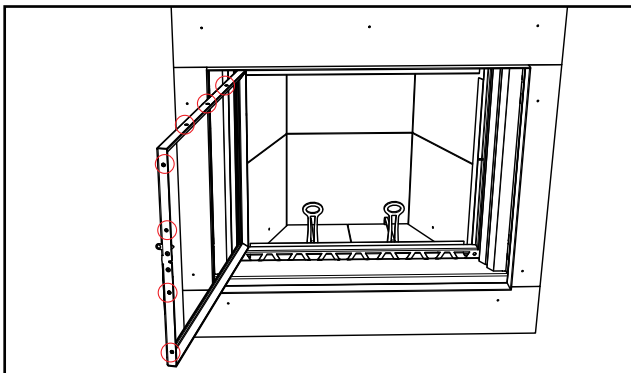
2. Detach the cables on either side and place them on the top hook located on either side—so the weights stay elevated.

Caution: glass weights are heavy.



3. Open the door frame as shown below and remove the 3 screws located at the top/ bottom and the 4 screws on either end (front/back) 14 screws total (the 2 front middle screws in the are for the latch). Remove the bottom and end screws from the frame first and the top screws last, support the glass when removing the last top screws to avoid breaking the glass.

Note: Once the glass is removed, the door frame will move upwards due to the counterweights.



4. Reinstall one of the counterweights (either left or right) onto the door to make it feel weightless.
5. Remove the 6 x 5mm Allen key screws attached to the door sliders as shown.



6. Remove the counterweight previously installed.
7. Slide the glass door downwards—rotate it outwards.



8. After the door is removed— remove both top and bottom screws to release the glass door from the outside glass assembly.



Latch Replacement

9. Remove 2—3/8"bolts (shown in diagram) to remove and replace latch assembly.



maintenance

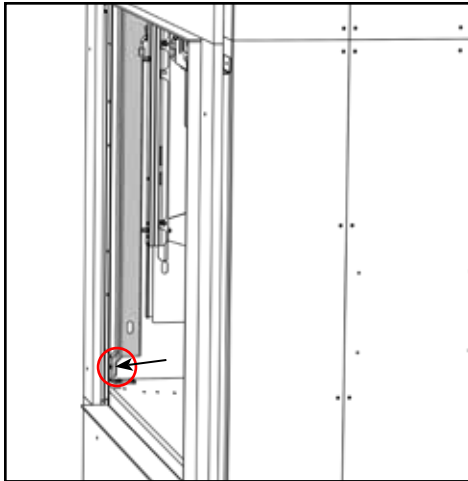
Pulley Service/Replacement

WARNING: THE COUNTERWEIGHTS IN THIS UNIT ARE VERY HEAVY AND CAN CAUSE INJURY. USE CAUTION WHEN REMOVING DOORS, COUNTERWEIGHTS, OR CABLES. ALWAYS ENSURE CABLES ARE SECURED WHEN REMOVING DOORS.

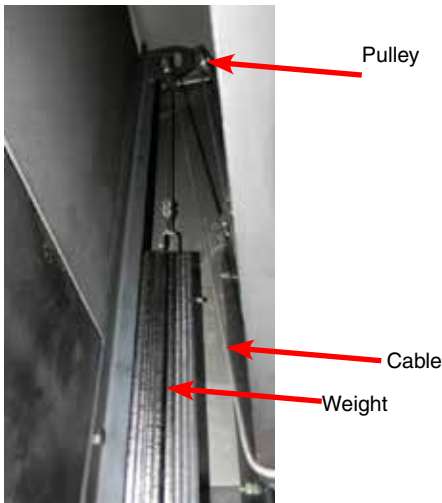
Removal

Remove firescreen and glass door, see instructions in this manual.

1. Detach the counterweight channel by loosening the inside bottom screw on left and right channels, then lift channels up and out.



2. Attach the front cable around the top hook on the extension tool provided and slowly let the weight drop down to the ground. Once the weight is on the ground, use the extension tool to remove the cable from the pulley.



3. Repeat previous step (2) with the back cables.

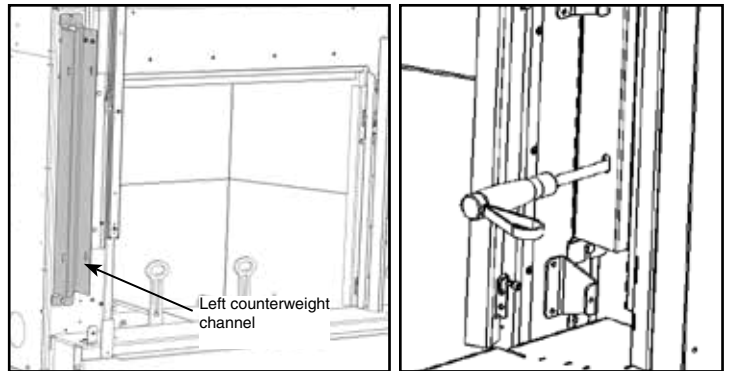


4. Detach the front support pulley by screwing the 2 screws as shown.



Replacement

1. Place the rear weight channel back into its original position by sliding it into the top screw and attaching the bottom screw. Then place the door tool as shown to hold the weight channel.



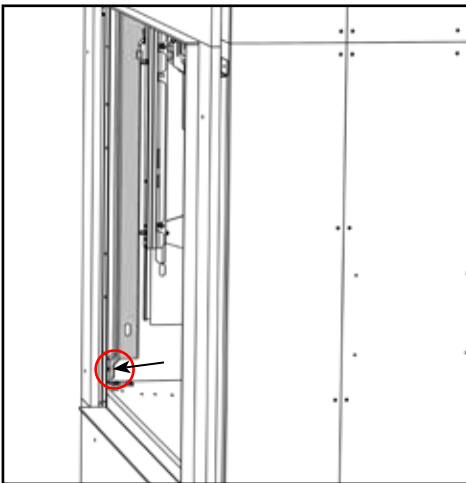
2. Place the cable of the back counter weight (heavy one) around the top hook of the extension tool and attach it around the pulley. Once the cable is around the pulley, pull the cable down and hook it on the side.

3. Repeat the previous step (2) with front cables.



Extension tool

4. Slide the front weight channel back into position and reattach the screw at the bottom.



Note: Shown with front of fireplace removed to show workings of pulleys and cables.

Annual Maintenance

Completely clean out entire unit annually	
Inspect bricks	Replace any damaged parts.
Check door latch assembly.	If unable to obtain a tight seal or sloppy replace door catch
Inspect condition of door frame gasket	Replace if frayed or in poor condition
Check glass for cracks	Replace if required
Inspect and clean chimney	Annual professional chimney cleaning recommended

NOTE: Chimney Cleaning

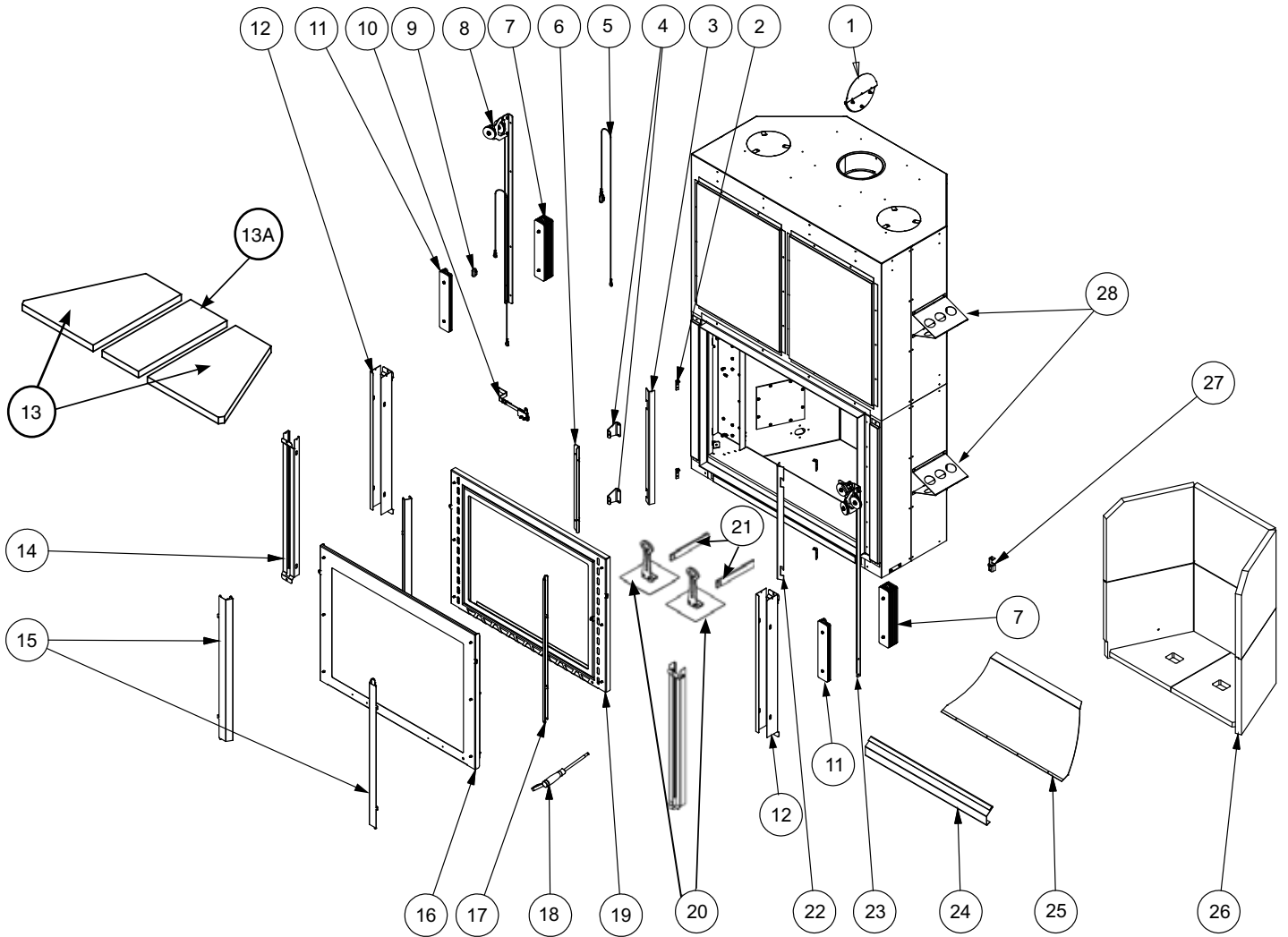
We highly recommend that the chimney cleaning be done by a professional as they will have the necessary tools such as a proper sized brush and special vacuum cleaner designed to deal with fine particles. This appliance does have an internal damper inside of the 8" flue. Be careful not to damage this when cleaning the chimney. The damper will be located inside of the 8 inch flue approximately 3 feet up from inside of the fireplace ceiling.

parts list

Parts - Firebox & Body

	Part #	Description
1	096-540	Top Flue Damper Assembly
2	096-113	Brick Holder Bracket (Each)
3	096-115	Left Brick Support Holder
4	096-051	Screen Mount (Each)
5	096-072	Cable Assembly (Each)
6	096-052	Screen Connector
7	096-512	Weight Bracket
8	096-521	Cable Assembly Left
9	948-502	Link (each)
10	096-541	Bottom Flue Damper Assembly
11	096-520	Screen Weight Assembly
12	096-542	Weight Channel Back with Gasket
13	096-084	Vermiculite Floor Panel Sides (each)
13A	096-085	Vermiculite Floor Panel Center
14	096-543	Weight Channel Front with Gasket (Each)
15	096-050	Front Finish Side Shield (each)
16	096-519	Firescreen Assembly
17	096-049	Finish Side Shield (each)
18	096-518	CF780 Operation Tool
19	096-547	Glass Door Assembly Without Glass
20	096-549	Andiron (each)
21	096-130	Fire-dog (each)
22	096-114	Right Brick Support Holder
23	096-010	Right Pulley Support
24	096-116	Smooth Smoke Deflector
25	096-068	Smooth Smoke Deflector (Smoke Chamber)
26	096-901	Smooth Brick Panel Assembly Set
26	096-902	Traditional Brick Panel Assembly Set
27	096-545	Top Damper Control Assembly
28	430-001/F	Standoffs (each)
N/S	096-146F	Ember Strip (spark Guard)
N/S	096-071	Extension Tool (For Servicing Pulley/Cable System)

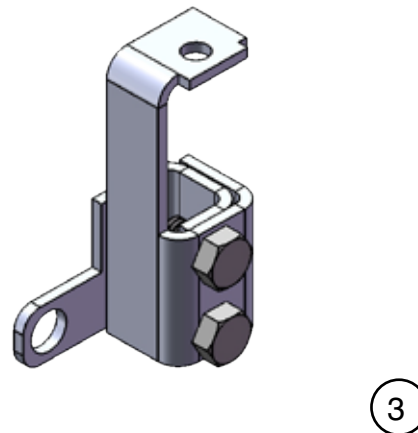
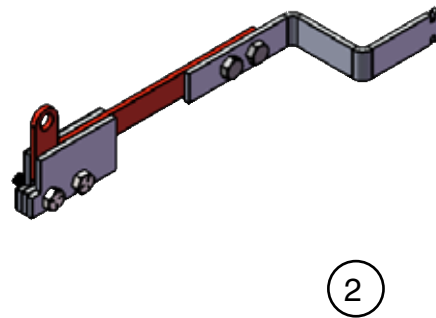
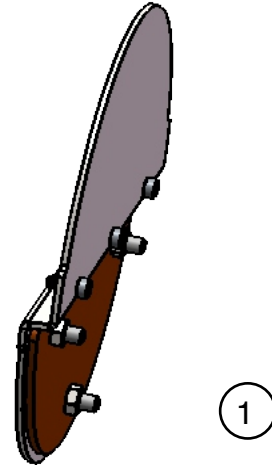
Parts - Firebox & Body



parts list

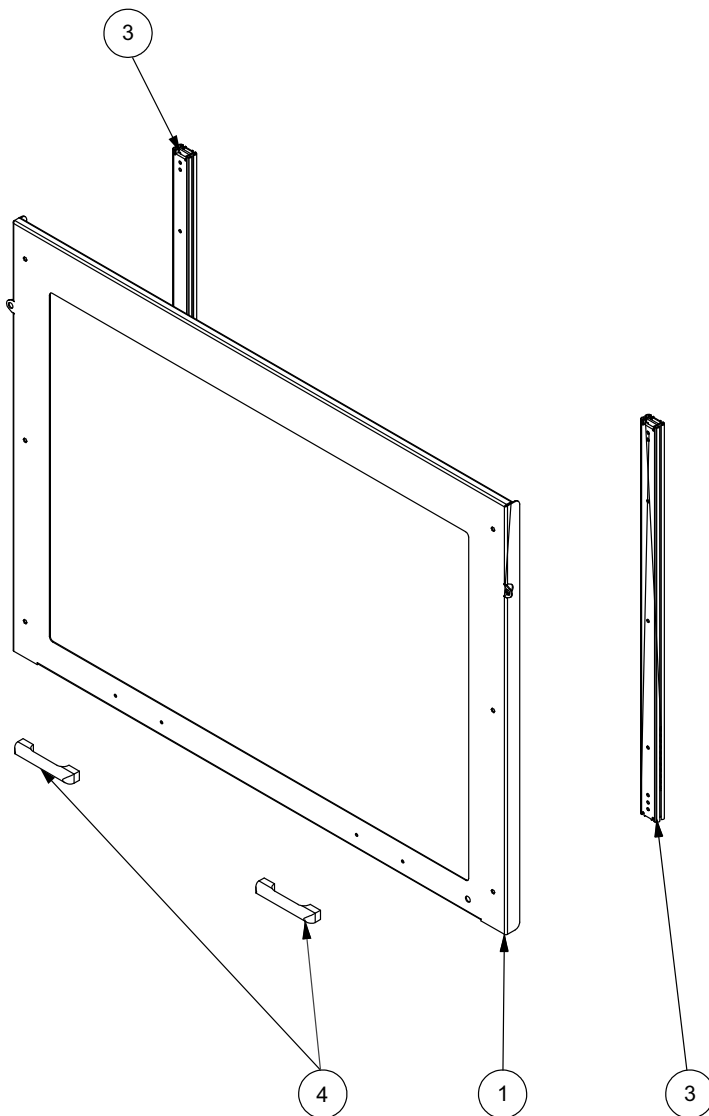
Damper Assembly

1	096-540	Top Flue Damper Assembly
2	096-541	Flue Damper Assembly
3	948-545	Top Damper Control



Firescreen Assembly

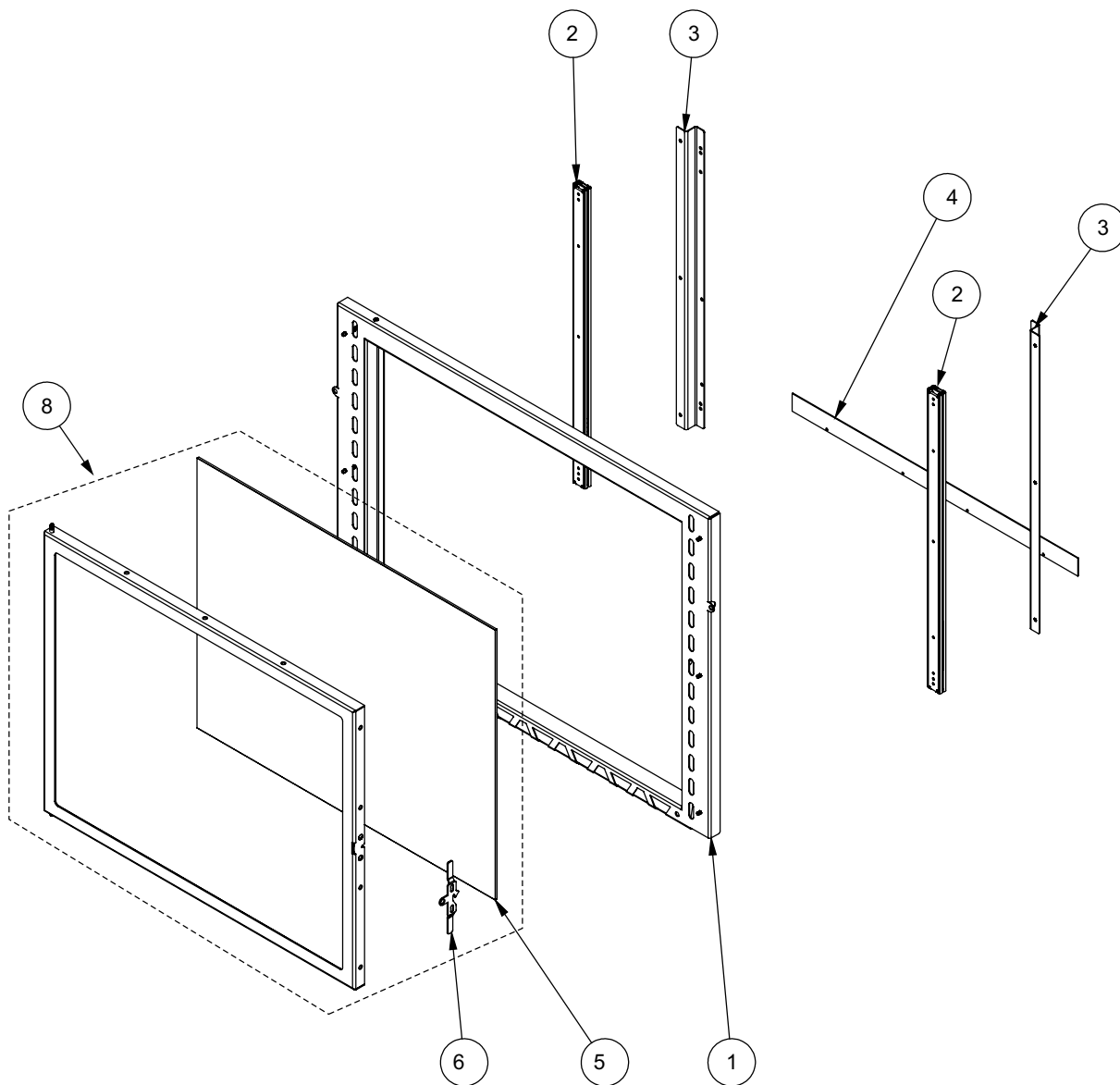
1	096-546	Screen door assembly
3	948-504	Stainless steel slide (Set of 2)
4	948-147	Handle (wood) (each)



parts list

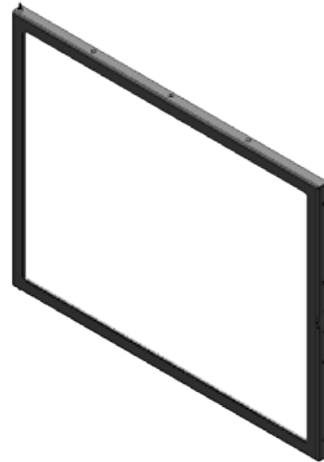
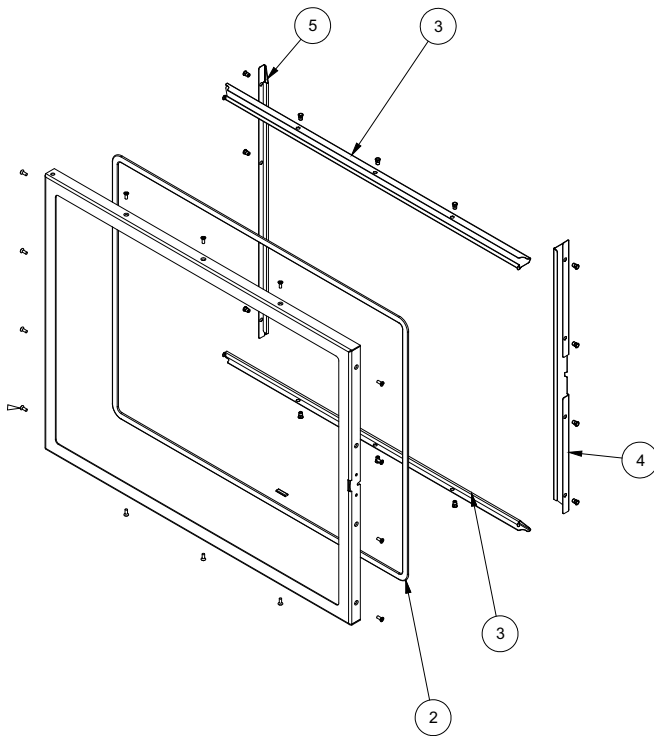
Door Assembly

1	096-548	Door Frame Assembly
2	948-504	Stainless steel slider (set of 2)
3	096-059	Slide mounting bracket
4	096-108/F	Air deflector
5	940-505/P	Ceramic door glass
6	096-009	Door latch
8	See next page	Door frame - Assembly - No Glass



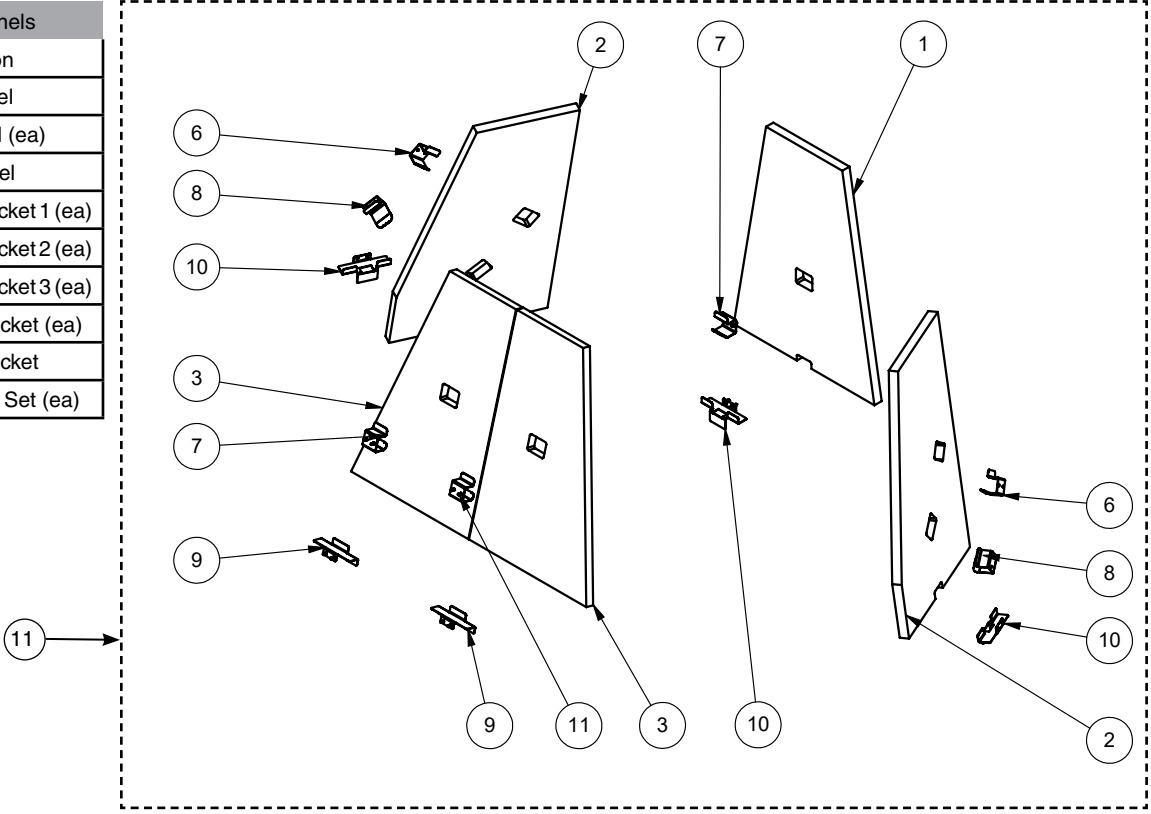
Door Assembly - No Glass

1	096-547	Door Frame Assembly
2	936-243	Tape 7/8 Window Adhesive (sold per ft./12 ft required)
3	096-006	Glass Bracket
4	096-007	Glass Bracket Right Side
5	096-008	Glass Bracket Left Side

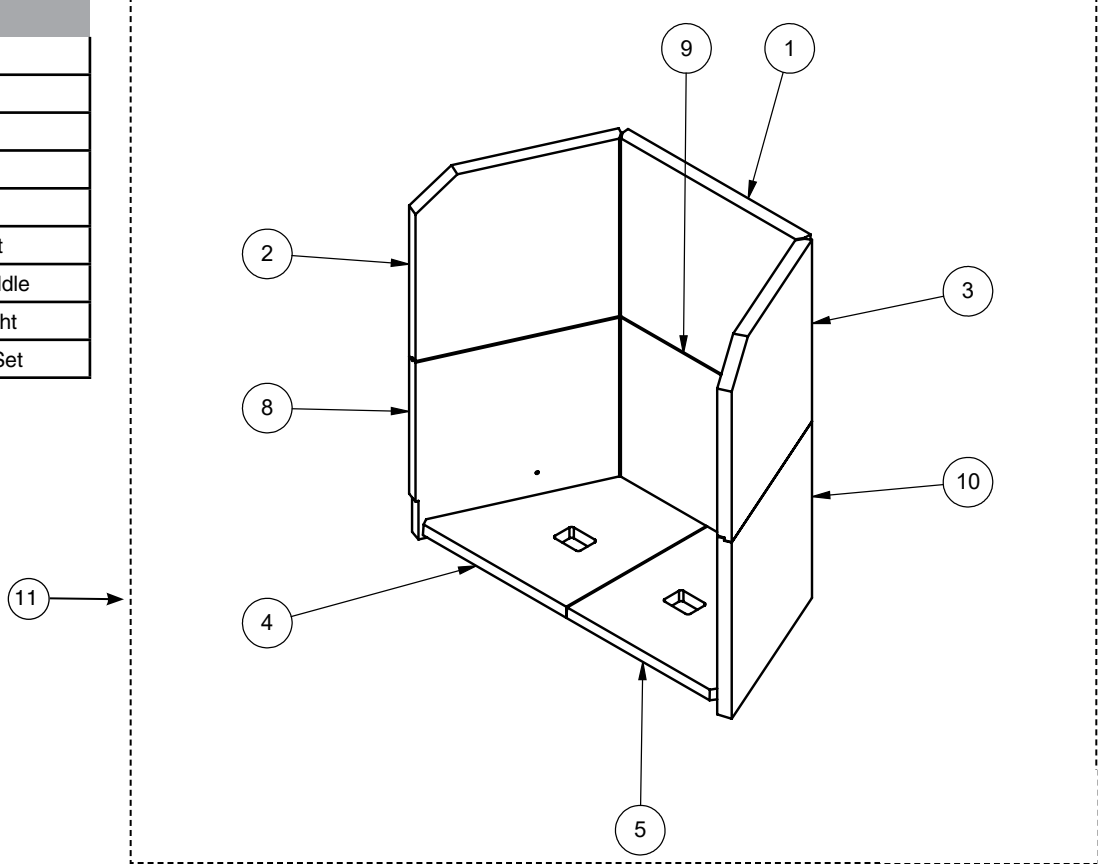


parts list

Vermiculite Smoke Chamber Panels		
	Part	Description
1	096-060	Back Panel
2	096-061	Left Panel (ea)
3	096-062	Front Panel
6	096-028	Baffle Bracket 1 (ea)
7	096-029	Baffle Bracket 2 (ea)
8	096-030	Baffle Bracket 3 (ea)
9	096-031	Baffle Bracket (ea)
10	096-039	Baffle Bracket
11	096-515/P	Complete Set (ea)

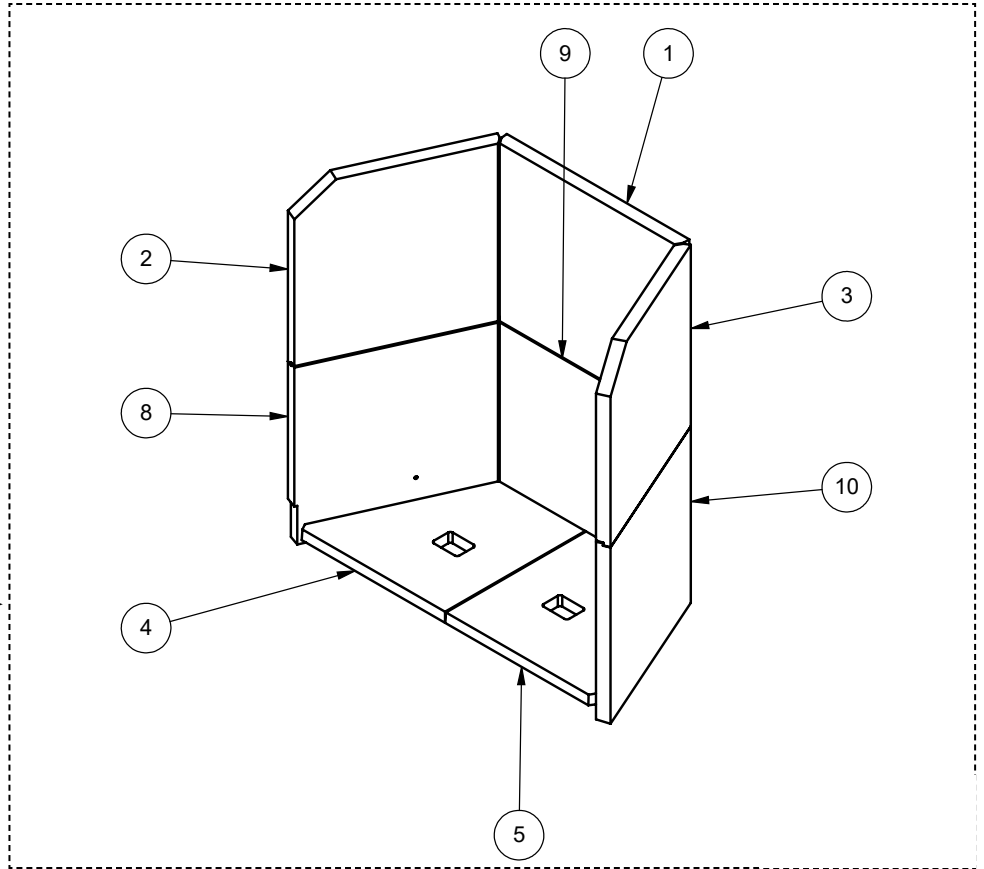


Brick Liners (contemporary)		
	Part	Description
1	096-077/P	Top Middle
2	096-076/P	Top Left
3	096-078/P	Top Right
4	096-079/P	Left Floor
5	096-080/P	Right Floor
8	096-073/P	Bottom Left
9	096-074/P	Bottom Middle
10	096-075/P	Bottom Right
11	096-901	Complete Set



Brick Liners (traditional)		
1	096-177/P	Top Middle
2	096-176/P	Top Left
3	096-178/P	Top Right
4	096-079/P	Left Floor
5	096-080/P	Right Floor
8	096-173/P	Bottom Left
9	096-174/P	Bottom Middle
10	096-175/P	Bottom Right
11	096-902	Complete Set

11 →



Limited Lifetime Warranty

FPI Fireplace Products International Ltd. (for Canadian customers) and Fireplace Products U.S., Inc. (for U.S. customers) (collectively referred to herein as “FPI”) extends this Limited Lifetime Warranty to the original purchaser of this appliance provided the product remains in the original place of installation. The items covered by this limited warranty and the period of such coverage is set forth in the table below.

Some conditions apply (see below).

The policy is not transferable, amendable or negotiable under any circumstances.

CF780	Component Coverage					Labor Coverage
	Limited Lifetime	5 years	2 years	1 year	Warranty	(Years)
Welded Firebox Steel	✓					5
Operating tool and door latch assembly, (excluding guillotine cables, bolts, screws, and slider hinge)	✓					3
Guillotine door system/including guillotine cables, guillotine hardware and slider hinge, stainless steel components/deflectors		✓				3
Glass—Thermal Breakage Only	✓					3
Vermiculite Smoke Chamber Panels		✓				3
Flue Damper/Air Damper			✓			2
Glass—Crazing				✓		1
Screens				✓		1

Conditions:

Warranty protects against defect in manufacture or FPI factory assembled components only, unless herein specified otherwise.

Any part(s) found to be defective during the warranty period as outlined above will be repaired or replaced at FPI’s option through an accredited distributor, dealer or pre-approved and assigned agent provided that the defective part is returned to the distributor, dealer or agent for inspection if requested by FPI. Alternatively, FPI may at its own discretion fully discharge all of its obligations under the warranty by refunding the verified purchase price of the product to the original purchaser. The purchase price must be confirmed by the original Bill of Sale.

The authorized selling dealer, or an alternative authorized FPI dealer if pre-approved by FPI, is responsible for all in-field diagnosis and service work related to all warranty claims. FPI is not responsible for results or costs of workmanship of unauthorized FPI dealers or agents in the negligence of their service work.

At all times FPI reserves the right to inspect reported complaints on location in the field claimed to be defective prior to processing or authorizing of any claim. Failure to allow this upon request will void the warranty.

All warranty claims must be submitted by the dealer servicing the claim, including a copy of the Bill of Sale (proof of purchase by you). All claims must be complete and provide full details as requested by FPI to receive consideration for evaluation. Incomplete claims may be rejected.

Replacement units are limited to one per warranty term. Unit must be installed according to all manufacturers’ instructions as per the manual.

warranty

All Local and National required codes must be met.

The installer is responsible to ensure the unit is operating as designed at the time of installation.

The original purchaser is responsible for annual maintenance of the unit, as outlined in the owner's manual. As outlined below, the warranty may be voided due to problems caused by lack of maintenance.

Repair/replacement parts purchased by the consumer from FPI after the original coverage has expired on the unit will carry a 90 day warranty, valid with a receipt only. Any item shown to be defective will be repaired or replaced at our discretion. No labor coverage is included with these parts.

Exclusions:

This Limited Lifetime Warranty does not extend to rust or corrosion of any kind due to: a lack of maintenance or improper venting, lack of combustion air provision, or exposure to corrosive chemicals (i.e. chlorine, salt, air, etc.).

This Limited Lifetime Warranty also does not extend to: paint, firebricks (rear, sides or bottom), door gasketing, glass gasketing (or any other additional factory fitted gasketing), vermiculite floor bricks, andiron assemblies, and flue damper rods.

Malfunction, damage or performance based issues as a result of environmental conditions, location, chemical damages, downdrafts, installation error, installation by an unqualified installer, incorrect chimney components (including but not limited to cap size or type), operator error, abuse, misuse, use of improper fuels (such as unseasoned cordwood, mill-ends, construction lumber or debris, off-cuts, treated or painted lumber, metal or foil, plastics, garbage, solvents, cardboard, coal or coal products, oil based products, waxed cartons, compressed pre-manufactured logs, kiln dried wood), lack of regular maintenance and upkeep, acts of God, weather related problems from hurricanes, tornados, earthquakes, floods, lightning strikes/bolts or acts of terrorism or war, which result in malfunction of the appliance are not covered under the terms of this Limited Lifetime Warranty. The venting/chimney is covered by the manufacturer of the chimney system.

FPI has no obligation to enhance or modify any unit once manufactured (i.e. as products evolve, field modifications or upgrades will not be performed on existing appliances).

This warranty does not cover dealer travel costs for diagnostic or service work. All labor rates paid to authorized dealers are subsidized, pre-determined rates. Dealers may charge homeowner for travel and additional time beyond their subsidy.

Any unit showing signs of neglect or misuse will not be covered under the terms of this warranty policy and may void this warranty. This includes units with rusted or corroded fireboxes which have not been reported as rusted or corroded within three (3) months of installation/purchase.

Units which show evidence of being operated while damaged, or with problems known to the purchaser and causing further damages will void this warranty.

Units where the serial no. has been altered, deleted, removed or made illegible will void this warranty.

Minor movement, expansion and contraction of the steel is normal and is not covered under the terms of this warranty.

FPI is not liable for the removal or replacement of facings or finishing in order to repair or replace any appliance in the field.

Freight damages for products or parts are not covered under the terms of the warranty.

Products made or provided by other manufacturers and used in conjunction with the FPI appliance without prior authorization from FPI may void this warranty.

Limitations of Liability:

The original purchaser’s exclusive remedy under this warranty, and FPI’s sole obligation under this warranty, express or implied, in contract or in tort, shall be limited to replacement, repair, or refund, as outlined above. IN NO EVENT WILL FPI BE LIABLE UNDER THIS WARRANTY FOR ANY INCIDENTAL OR CONSEQUENTIAL COMMERCIAL DAMAGES OR DAMAGES TO PROPERTY. TO THE EXTENT PERMITTED BY APPLICABLE LAW, FPI MAKES NO EXPRESS WARRANTIES OTHER THAN THE WARRANTY SPECIFIED HEREIN. THE DURATION OF ANY IMPLIED WARRANTY IS LIMITED TO DURATION OF THE EXPRESSED WARRANTY SPECIFIED ABOVE. IF IMPLIED WARRANTIES CANNOT BE DISCLAIMED, THEN SUCH WARRANTIES ARE LIMITED IN DURATION TO THE DURATION OF THIS WARRANTY.

Some U.S. states do not allow limitations on how long an implied warranty lasts, or allow exclusion or limitation of incidental or consequential damages, so the above limitations or exclusions may not apply to you.

Customers located outside the U.S. should consult their local, provincial or national legal codes for additional terms which may be applicable to this warranty.

How to Obtain Warranty Service:

Customers should contact the authorized selling dealer to obtain all warranty and service. In the event the authorized selling dealer is unable to provide warranty / service, please contact FPI by mail at the address listed below. Please include a brief description of the problem and your address, email and telephone contact information. A representative will contact you to make arrangements for an inspection and/or warranty service, by an alternative dealer.

Canadian Warrantor:

FPI Fireplace Products International Ltd.
6988 Venture St.
Delta, British Columbia
Canada, V4G 1H4

U.S. Warrantor:

Fireplace Products U.S., Inc.
PO Box 2189 PMB 125
Blaine, WA
United States, 98231

Product Registration and Customer Support:

Thank you for choosing a Regency Fireplace. Regency strives to be a world leader in the design, manufacture, and marketing of hearth products. To provide the best support for your product, we request that you complete a product registration form at <http://www.regency-fire.com/Customer-Care/Warranty-Registration.aspx> within ninety (90) days of purchase.



Product Registration and Customer Support:

Thank you for choosing a Regency Fireplace. Regency strives to be a world leader in the design, manufacture, and marketing of hearth products. To provide the best support for your product, we request that you complete a product registration form found on our Web Site under Customer Care within ninety (90) days of purchase.

For purchases made in **CANADA or the UNITED STATES:**

<http://www.regency-fire.com/Customer-Care/Warranty-Registration.aspx>

For purchases made in **AUSTRALIA:**

<http://www.regency-fire.com.au/Customer-Care/Warranty-Registration.aspx>

You may also complete the warranty registration form below to register your Regency Fireplace Product and mail and/or fax it back to us, and we will register the warranty for you. It is important you provide us with all the information below in order for us to serve you better.

Warranty Registration Form (or Register online immediately at the above Web Site):

Warranty Details	
Serial Number (required):	
Purchase Date (required) (mm/dd/yyyy):	
Product Details	
Product Model (required):	
Dealer Details	
Dealer Name (required):	
Dealer Address:	
Dealer Phone #:	
Installer:	
Date Installed (mm/dd/yyyy):	
Your Contact Details (required)	
Name:	
Address:	
Phone:	
Email:	

For purchases made in **CANADA:**

FPI Fireplace Products International Ltd.
6988 Venture St.
Delta, British Columbia
Canada, V4G 1H4

Phone: 604-946-5155
Fax: 1-866-393-2806

For purchases made in the **UNITED STATES:**

Fireplace Products US, Inc.
PO Box 2189 PMB 125
Blaine, WA
United States, 98231

Phone: 604-946-5155
Fax: 1-866-393-2806

For purchases made in **AUSTRALIA:**

Fireplace Products Australia Pty Ltd
1- 3 Conquest Way
Hallam, VIC
Australia, 3803

Phone: +61 3 9799 7277
Fax: +61 3 9799 7822

For fireplace care and tips and answers to most common questions please visit our Customer Care section on our Web Site. Please feel free to contact your selling dealer if you have any questions about your Regency product.

Installer: Please complete the following information

Dealer Name & Address: _____

Installer: _____

Phone #: _____

Date Installed: _____

Serial #: _____