

Service Manual

**Model
BLF3451**

**UL Part Number
6909590100**

IMPORTANT SAFETY INFORMATION: Always read this manual first before attempting to service this fireplace. For your safety, always comply with all warnings and safety instructions contained in this manual to prevent personal injury or property damage.

Table Of Contents

Operation	3
Maintenance	4
Exploded Parts Diagram	5
Wiring Diagram	6
Preparation for service	7
Instructions for removing from wall	7
Surface Mount	7
Recessed Mount - Partial In-wall	8
Flush Mount – Complete In-wall	9
Switchboard Replacement	10
Relay Board Replacement	10
AC/DC Adapter Replacement	11
Main Control Board Replacement	11
Flicker Motor Replacement	12
Flicker Rod Replacement	12
LED Light Strips Replacement	13
High Temperature Cutout Replacement	13
Element Replacement	14
Blower Replacement	14
Thermistor Replacement	15
Troubleshooting Guide	16

Always use a qualified technician or service agency to repair this fireplace.

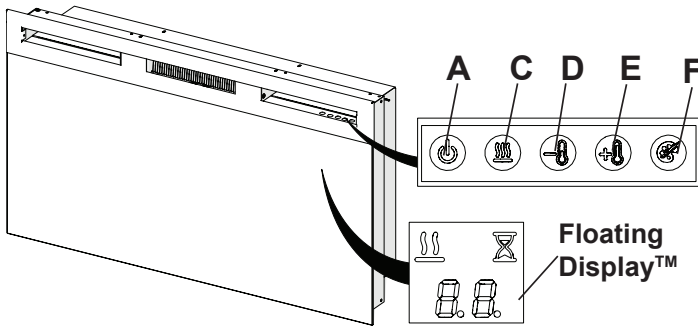
! NOTE: Procedures and techniques that are considered important enough to emphasize.

⚠ CAUTION: Procedures and techniques which, if not carefully followed, will result in damage to the equipment.

⚠ WARNING: Procedures and techniques which, if not carefully followed, will expose the user to the risk of fire, serious injury, or death.

Operation

Figure 1



⚠ WARNING: This electric firebox must be properly installed before it is used.

The unit can be controlled by either the manual controls which are located on the upper right of the fireplace or the remote (Figure 13 & 14).

The fireplace is supplied with an IR multifunction remote control.

! NOTE: To operate correctly, the remote control must be pointed towards the Floating Display™.

A. Standby

Turns the unit On and Off.


→ Activated by pressing the Standby button on the remote or the unit.

- The unit will turn on with the same functions that it was set to when it was turned Off and the intake temperature will be indicated on the Floating Display™.

! NOTE: When any button is pressed the intake temperature will be displayed on the Floating Display™ for 5 seconds.

B. Flame Effects

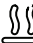
Turns the flame effect On and Off.

→ Activated by pressing the  button on the remote.

C. Heat ON/OFF

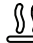
Turns the heater On and Off.

→ Activated by pressing the  button on the unit or the remote.

- Indicated by the  icon and the intake temperature being displayed on the Floating Display™, for 5 seconds before turning off.

! NOTE: After the heater is switched off, there is a 60 second fan delay, where the fan will continue running before turning off.


! NOTE: The unit can be operated in **Heat Only Mode**. When


the unit is only running with the heater, the  icon will continuously be displayed on the Floating Display™.

! NOTE: The heater may emit a slight, harmless odor when first used. This odor is a normal condition caused by initial heating of internal heater parts and will not occur again.



D & E. Thermostat Controls

Adjusts the temperature set point to your individual requirements. Once the desired set temperature is reached the heater will turn off. The heater will cycle on and off to maintain the desired set temperature. The default temperature setting is 72°F (22°C).

→ Adjusted by pressing the  to decrease the set point and the



 to increase the set point on the unit or the remote.



- The Floating Display™ will indicate the temperature set point as it is adjusted.

! NOTE: Holding the  and the  buttons down for two seconds, on the unit, will change the temperature from °C to °F, or vice versa.

Disable Heat

If desired, depending on the season, the heater on the unit can be disabled. The unit will operate in the same fashion, with remainder of the controls.

Pressing the  and  buttons on the unit at the same time and holding for 2 seconds will disable and enable the heater.


! NOTE: When the heater has been disabled and either the  or the  is pressed the Floating Display™ will indicate "--".

F. Color Themes

Different presets of ambient lighting color combinations contained in the unit.

→ Changed by repeatedly pressing the corresponding button on the remote or the unit.

- Cycles through the different preset ambient lighting settings of the unit, this includes different combinations of colours of the flame base and media lighting.

! NOTE: The last theme of the cycle is a prism where the unit cycles through a variety of colours. Pressing the  button stops the cycling and holds the unit on the preferred color, indicated by a "U" - Unfreeze or a "F" - Freeze on the display.

G. Brightness

Changes the brightness of the lights in the unit.


→ Adjusted by repeatedly pressing the corresponding button on the remote.


- Indicated by the second digit on the Floating Display™ changing to show: "H" (high), and "L" (low).

H. Sleep Timer

The Sleep Timer can be set to automatically shut off the fireplace after a preset time (from 30 minutes to 8 hours).

→ To set the timer press the timer button on the remote, repeatedly, until the desired time is displayed.

- The Floating Display™ will display the different times as it is adjusted. Once the timer has begun, pressing the  button will display the time remaining before the unit turns Off.

! NOTE: The Sleep Timer can be cancelled at any time by pressing the  button repeatedly until the sleep timer displays nothing.

Resetting the Temperature Cutoff Switch

Should the heater overheat, an automatic cut out will turn the whole unit off and it will not come back on without being reset. It can be reset by turning the power to the unit and waiting 5 minutes before turning the unit back on.

⚠ CAUTION: If you need to continuously reset the heater, unplug the unit and call technical support at 1-888-346-7539.

Remote Control Battery Replacement

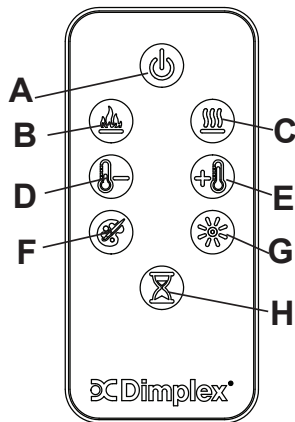
To replace the battery:

1. Slide battery cover open on the remote control.
2. Correctly install one 3 Volt (CR2032 [longer life] or CR2025) battery in the battery holder.
3. Close the battery cover.



Battery must be recycled or disposed of properly. Check with your Local Authority or Retailer for recycling advice in your area

Figure 2



Maintenance

⚠ WARNING: Disconnect power before attempting any maintenance or cleaning to reduce the risk of fire, electric shock or damage to persons.

! NOTE: The fireplace should not be operated with an accumulation of dust or dirt on or in the unit, as this can cause a build up of heat and eventual damage. For this reason the heater must be inspected regularly, depending upon conditions and at least at yearly intervals.

Partially Reflective Glass Cleaning

The partially reflective glass is cleaned in the factory during the assembly operation. During shipment, installation, handling, etc., the partially reflective glass may collect dust particles; these can be removed by dusting lightly with a clean dry cloth.

To remove fingerprints or other marks, the partially reflective glass can be cleaned with a damp cloth. The partially reflective glass should be completely dried with a lint free cloth to prevent water spots. To prevent scratching, do not use abrasive cleaners.

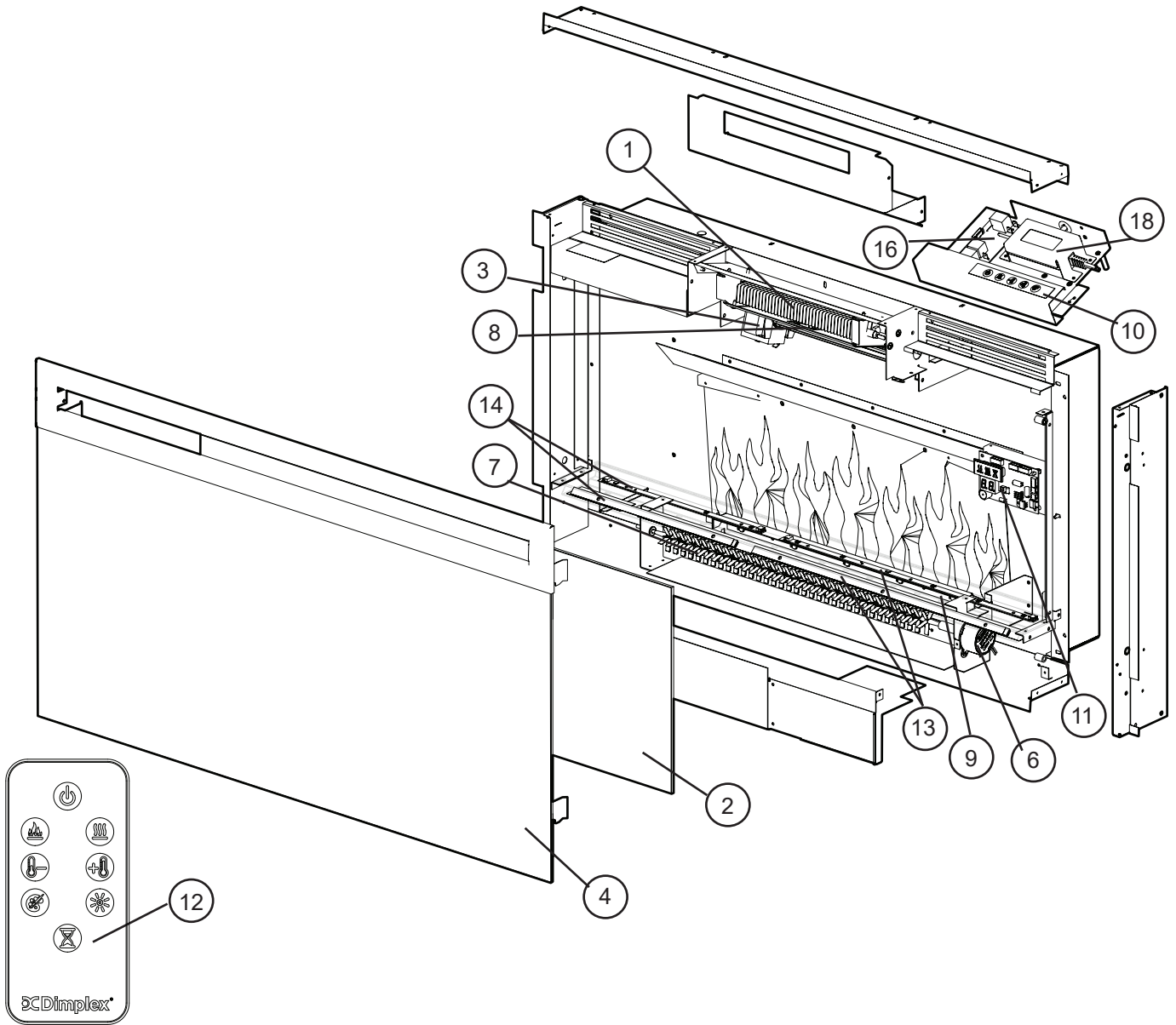
Fireplace Surface Cleaning

Use only a damp cloth to clean painted surfaces of the fireplace. Do not use abrasive cleaners.

Servicing

Except for installation and cleaning described in this manual, an authorized service representative should perform any other servicing.

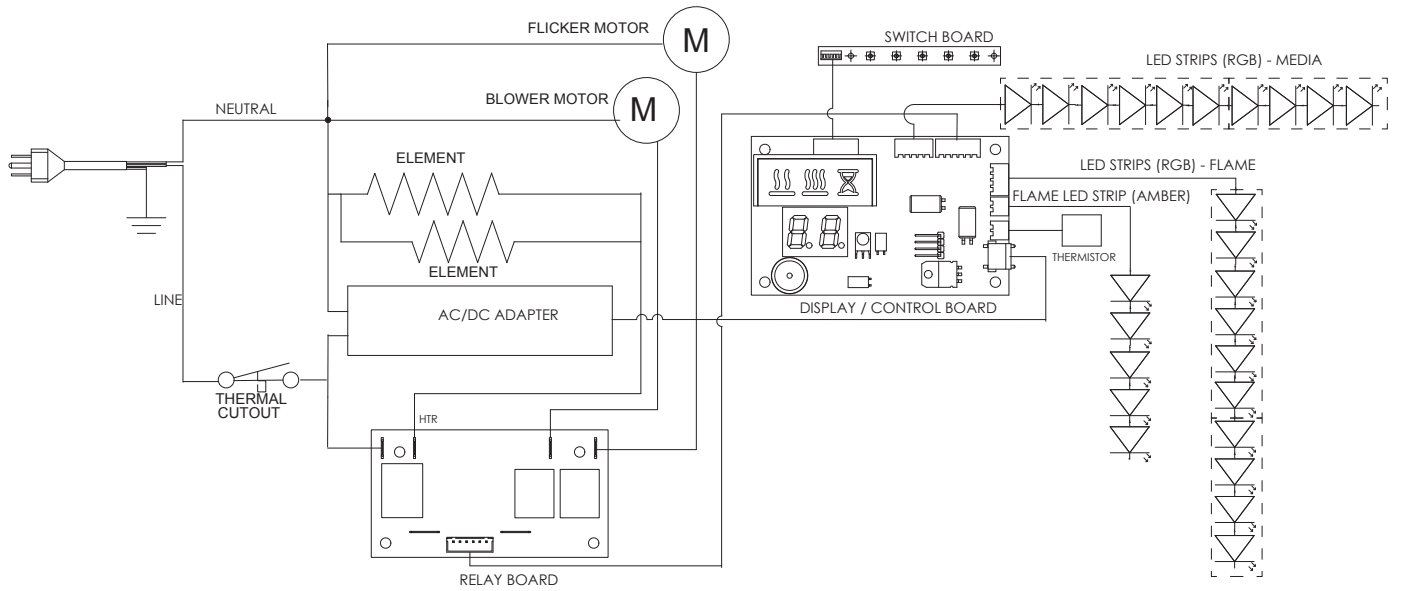
Exploded Parts Diagram



Replacement Parts List

1. Element	2200510300RP	12. Remote Control	6700520200RP
2. Partially Reflective Glass	5902700100RP	13. LED Light Strip (6) (RGB) (2 per unit)	3001570100RP
3. Blower	5300170300RP	14. LED Light Strip (4) (RGB) (2 per unit)	3001570400RP
4. Front Glass	6909140100RP	15. Thermistor	3001560600RP
5. Power Cord	4100190300RP	16. Relay Board	3001630100RP
6. Flicker Motor	2000500100RP	17. Mounting Kit	9600770100RP
7. Flicker Assembly	5902720100RP	18. AC/DC Adapter	2100250100RP
8. Cutout	2300201500RP	19. Glass Media	1400070100RP
9. Flame LED Light Strip (Amber)	3001420200RP		
10. Switch Board	3001520100RP	Accessories	
11. Main Control Board (with Display)	3001640100RP	River Rocks	DFS1314
		Driftwood Accessory Kit	LF34DWS-KIT

Wiring Diagram



Preparation for service

! NOTE: All components are replaceable from the front of the fireplace while the unit is mounted on the wall, with the exception of replacement of the power cord.

! NOTE: If the power cord needs replacing or if the unit needs to be removed from the wall for any other reason please begin service by following the “PREPARATION FOR SERVICE” instructions, then move on to the section “INSTRUCTIONS FOR REMOVING FROM WALL”.

Tools Required: Phillips head screwdriver

⚠ WARNING: Disconnect power before attempting any maintenance or cleaning to reduce the risk of electric shock or damage to persons.

⚠ CAUTION: If unit was operating prior to servicing allow at least 10 minutes for lights and heating elements to cool off to avoid accidental burning of skin.

1. Disconnect power source.
 - Unplug the fireplace from the outlet.
 - If unit has been hard wired for power or outlet is not accessible from the front, turn the breaker off at the electrical panel.
2. Remove the front glass assembly by removing the 2 screws (1 on the left and 1 on the right side). These screws secure the front glass panel to the inside of the fireplace. (Figure 4)
3. Lift the front glass assembly off of the 4 mounts located between the outer and inner casing of the fireplace: 2 on the left and 2 on the right. (Figure 3) Carefully place the glass assembly aside in a safe location.
4. Proceed to the instructions within this manual relating to the repair being performed - see Table of Contents for page number.

Instructions for removing from wall

! NOTE: Only required for replacement of the power cord or removal from service.

⚠ WARNING: Disconnect power before attempting any maintenance or cleaning to reduce the risk of electric shock or damage to persons.

⚠ CAUTION: If unit was operating prior to servicing allow at least 10 minutes for lights and heating elements to cool off to avoid accidental burning of skin.

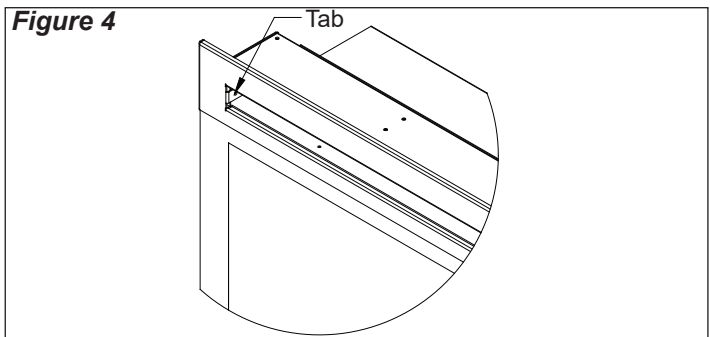
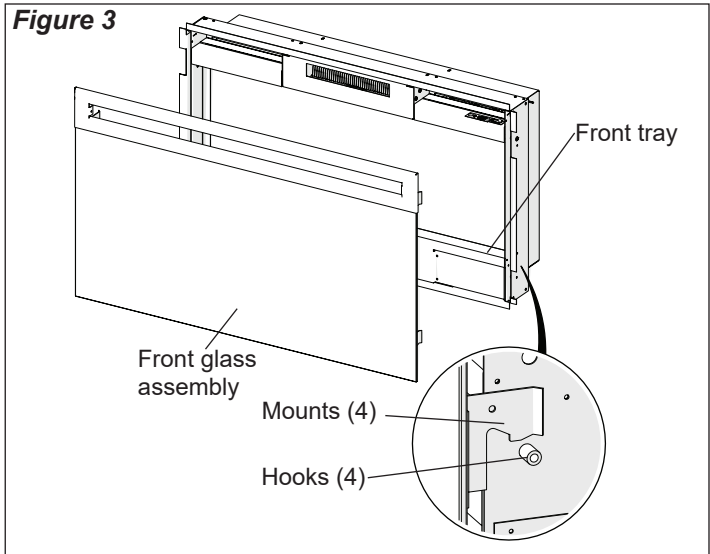
⚠ CAUTION: Follow “Preparation for Service” instructions before proceeding.

Mounting - The fireplace may be mounted in one of 3 methods:

- Surface Mount
- Recess Mount - Partial In-Wall
- Flush Mount (completely in the wall)

Identify the type of mounting and follow the appropriate instructions in the following pages.

⚠ CAUTION: To prevent injury or damage, turn off the breaker in your electrical panel prior to attempting to



remove this unit off the wall.

! NOTE: If fireplace is hard wired directly to the electrical panel, and there is not enough slack in the wires within the wall to reach your work area, remove the electrical junction box cover located on the bottom right by removing the 2 screws on the front of the cover. Lift the cover off and set aside. Disconnect the 3 wire connectors connected to the power source, taking note of their original configuration

- **Line:** Red wire from unit to the line wire power source
- **Neutral:** Thin white wire and thick blue wire to neutral wire from power source
- Thin black wire and thick white wire are left connected and not changed.

Surface Mount

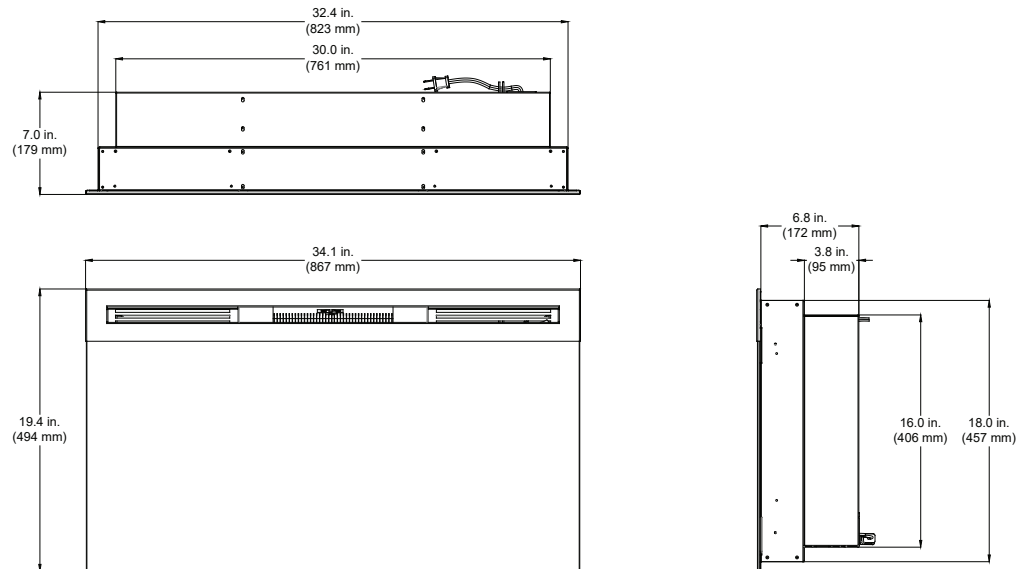
(Figure 6)

Tools Required: Phillips head screwdriver

⚠ CAUTION: Follow “Preparation for Service” instructions before proceeding.

1. Remove the decorative acrylic ember-bed pieces from the media tray, which lies along the bottom of the interior Partially Reflective Glass. A medium sized container such as a bucket or a box will be needed to keep the acrylic ember-bed pieces together.
2. On the bottom of the unit remove the securing screw from the L-bracket. (Figure 5)
3. Lift the unit up and off of the wall.
4. Carefully lay the unit down on a solid flat surface with

Figure 5



the front of the unit facing up.

! NOTE: If the surface you are using as a work area on is a finished surface that is prone to scratches (i.e. hardwood flooring), it is recommended that a protective barrier be used underneath, (i.e. cloth, cardboard, thick plastic).

5. Proceed to the instructions within this manual relating to the repair being performed - see Table of Contents for page number.
6. Once repair is complete, reassemble in the reverse order as above.

5. Proceed to the instructions within this manual relating to the repair being performed - see Table of Contents for page number.
6. Once repair is complete, reassemble in the reverse order as above.

Recessed Mount - Partial In-wall

(Figure 7)

Tools Required: Phillips head screwdriver

! CAUTION: Follow “Preparation for Service” instructions before proceeding.

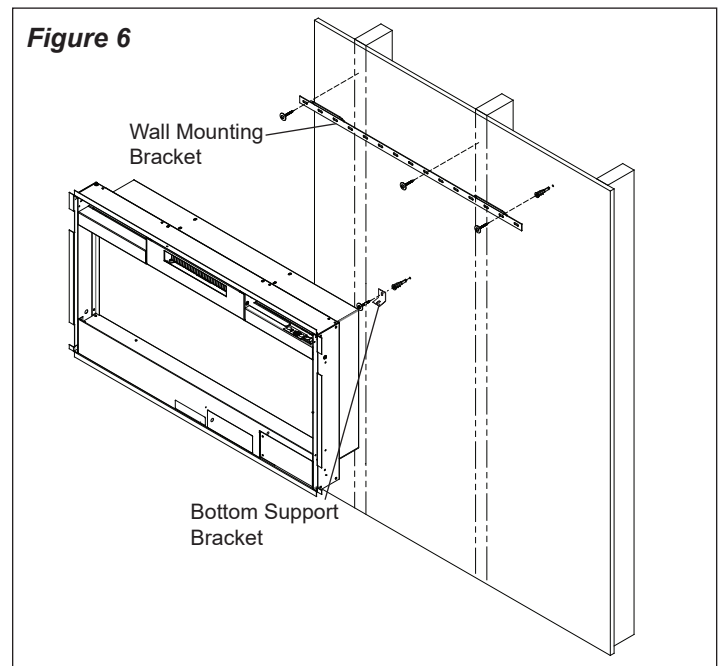
1. Remove the decorative acrylic ember-bed pieces from the media tray, which lies along the bottom of the interior Partially Reflective Glass. A medium sized container such as a bucket or a box will be needed to keep the acrylic ember-bed pieces together.
2. Locate and remove the 4 mounting screws located approximately 3 inches deep in the space between the outer and inner casing on the left and right hand side. There are 2 screws per side, upper and lower going into a stud. (Figure 7)

! CAUTION: The fireplace should be supported while removing the screws to prevent the unit from falling.

3. Remove the fireplace out of the opening by slightly lifting and pulling forward.
4. Carefully lay the unit down on a solid flat surface with the front of the unit facing up.

! NOTE: If the surface you are using as a work area is a finished surface that is prone to scratches (i.e. hardwood flooring), it is recommended that a protective barrier be used underneath, (i.e. cloth, cardboard, thick plastic).

Figure 6



Flush Mount – Complete In-wall

(Figure 8)

Tools Required: Phillips head screwdriver

⚠ CAUTION: Follow “Preparation for Service” instructions before proceeding.

1. Remove the decorative acrylic ember-bed pieces from the media tray, which lies along the bottom of the interior Partially Reflective Glass. A medium sized container such as a bucket or a box will be needed to keep the acrylic ember-bed pieces together.
2. Locate and remove the 4 mounting screws inside the unit located on left and right side towards the front. There are 2 screws per side, going from the side panels out into the side of the wall stud that frames the fireplace. (Figure 8)

⚠ CAUTION: The unit should be supported while removing the screws to prevent the unit from falling.

3. Remove the fireplace out of the opening by slightly lifting and pulling forward.
4. Carefully lay the unit down on a solid flat surface with the front of the unit facing up.

! NOTE: If the surface you are using as a work area is a finished surface that is prone to scratches (i.e. hardwood flooring), it is recommended that a protective barrier be used underneath, (i.e. cloth, cardboard, thick plastic).

5. Proceed to the instructions within this manual relating to the repair being performed - see Table of Contents for page number.
6. Once repair is complete, reassemble in the reverse order as above.

Figure 7

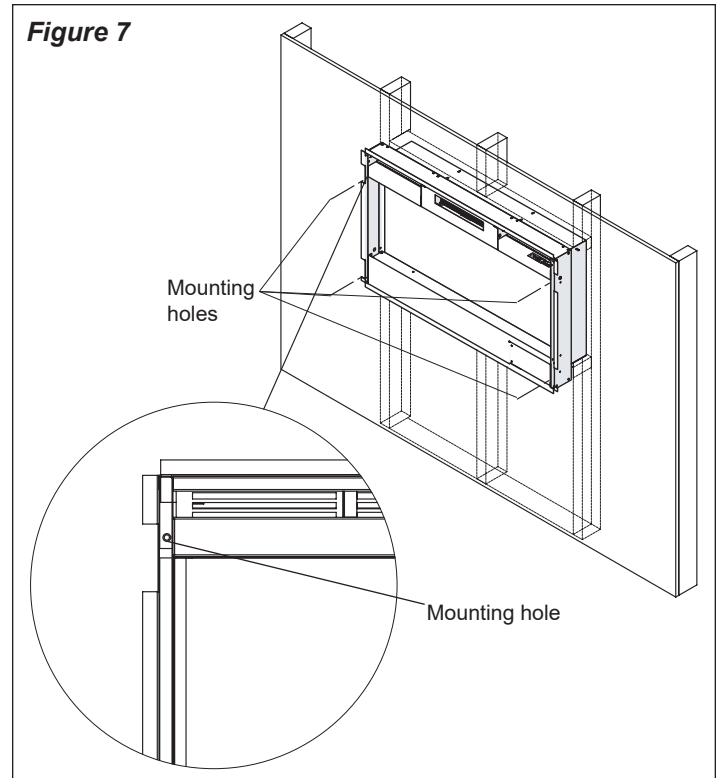
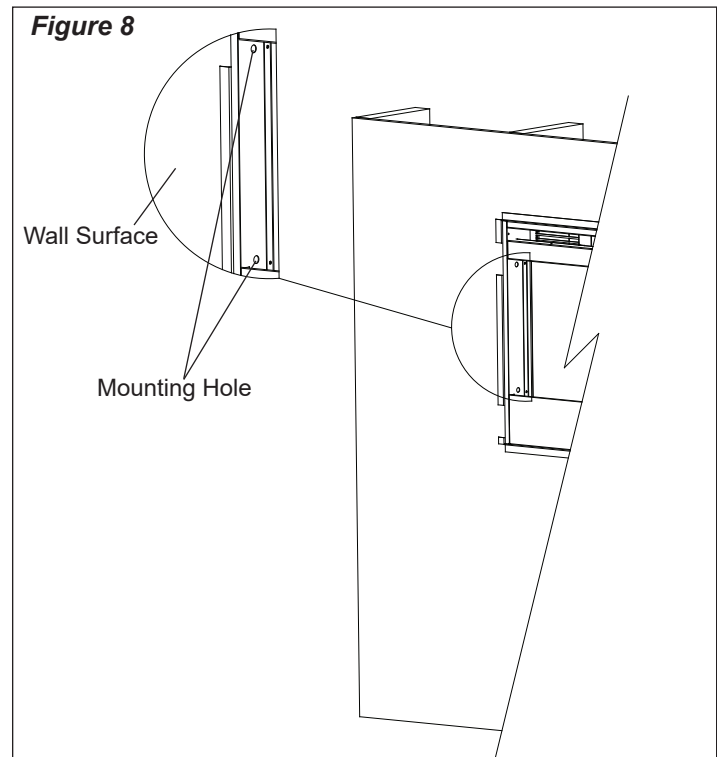


Figure 8



Switchboard Replacement

⚠ WARNING: Disconnect power before attempting any maintenance or cleaning to reduce the risk of electric shock or damage to persons.

⚠ CAUTION: If unit was operating prior to servicing allow at least 10 minutes for lights and heating elements to cool off to avoid accidental burning of skin.

Tools required: Phillips head screwdriver.
Small adjustable wrench

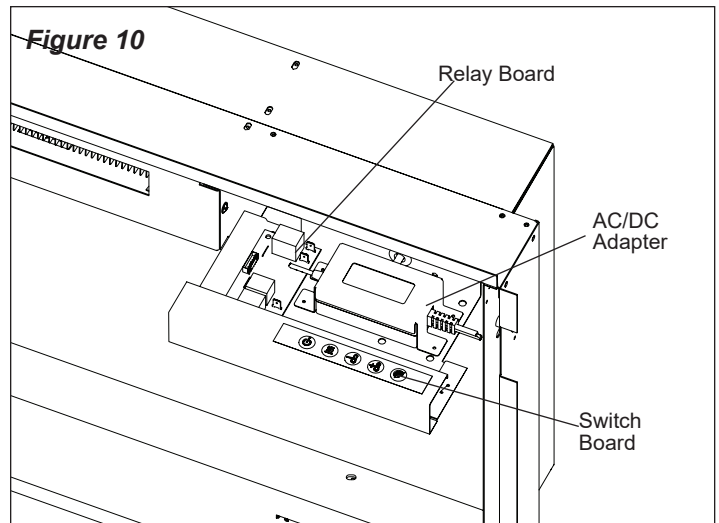
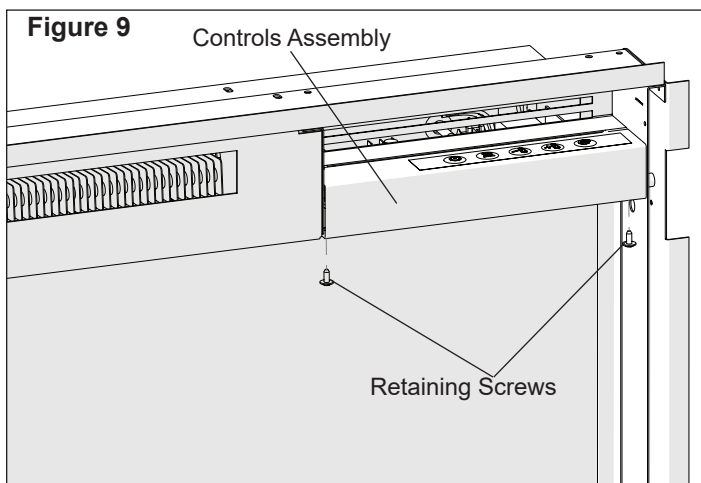
⚠ CAUTION: Follow “Preparation for Service” instructions before proceeding.

1. Remove the 2 screws, that secure the controls assembly (Figure 9), located at the top of the mirror on the right side of the unit.
2. Slide the controls assembly out toward the front of the unit.

⚠ CAUTION: Ensure that the assembly is removed carefully, ensuring that no wires are caught or over strained.

3. Locate the switchboard (Figure 10).
4. Disconnect the wiring harness from the switchboard.
5. Remove the switchboard by loosening the nuts on the spacer stands.
6. Install the new switchboard on the space stands.
7. Reconnect the wire harness onto the back of the switchboard in its original configuration.
8. Reassemble in the reverse order as above.

⚠ CAUTION: When re-installing, be sure the wires are guided and tucked into the proper openings along the right side so they are not pinched and allows enough space to reinstall the panel.



Relay Board Replacement

⚠ WARNING: Disconnect power before attempting any maintenance or cleaning to reduce the risk of electric shock or damage to persons.

⚠ CAUTION: If unit was operating prior to servicing allow at least 10 minutes for lights and heating elements to cool off to avoid accidental burning of skin.

Tools required: Phillips head screwdriver
Needle nosed pliers

⚠ CAUTION: Follow “Preparation for Service” instructions before proceeding.

1. Remove the 2 screws, that secure the controls assembly (Figure 9), located at the top of the mirror on the right side of the unit.
2. Slide the controls assembly out toward the front of the unit.
- ⚠ CAUTION:** Ensure that the assembly is removed carefully, ensuring that no wires are caught or over strained.
3. Locate the relay board (Figure 10).
4. Transfer the wiring connections from the existing board to the new board.

! NOTE: Using a flat head screwdriver gently pry between the end of the connectors and the board to release the wires.

5. Remove the relay board off the plastic mounts by pinching the plastic mounting tabs with needle nose pliers. Pull the old board off.
6. Line up the holes on the board and gently press the new board onto the mounts. Make sure the board is secure.
7. Reassemble in the reverse order as above.

⚠ CAUTION: When re-installing, be sure the wires are guided and tucked into the proper openings along the right side so they are not pinched and allows enough space to reinstall the panel.

AC/DC Adapter Replacement

⚠ WARNING: Disconnect power before attempting any maintenance or cleaning to reduce the risk of electric shock or damage to persons.

⚠ CAUTION: If unit was operating prior to servicing allow at least 10 minutes for lights and heating elements to cool off to avoid accidental burning of skin.

Tools required: Phillips head screwdriver

⚠ CAUTION: Follow “Preparation for Service” instructions before proceeding.

Tools required: Phillips head screwdriver

1. Remove the decorative acrylic ember-bed pieces from the media tray, which lies along the bottom of the interior Partially Reflective Glass. A medium sized container such as a bucket or a box will be needed to keep the acrylic ember-bed pieces together.
2. Remove the 2 screws, that secure the controls assembly (Figure 9), located at the top of the mirror on the right side of the unit.
3. Remove the Partially Reflective Glass retaining brackets by removing the 3 screws on each brackets; (3 brackets in total), located on the left and right side of the Partially Reflective Glass. (Figure 13)
4. Remove the Partially Reflective Glass. Carefully place the glass assembly aside in a safe location.
5. Slide the controls assembly out toward the front of the unit.

⚠ CAUTION: Ensure that the assembly is removed carefully, ensuring that no wires are caught or over strained.

6. Locate the defective AC/DC adapter (Figure 10).
7. Disconnect wires going to the wire connectors and the wires that are attached to the display / control board. (Figure 14)

! NOTE: Using a flat head screwdriver gently pry between the end of the connectors and the board to release the wires.

8. Remove the four screws that secure the AC/DC adapter bracket to the controls assembly.
9. Install the new AC/DC adapter and install all wiring connections.
10. Reassemble in the reverse order as above.

⚠ CAUTION: When re-installing, be sure the wires are guided and tucked into the proper openings along the right side so they are not pinched and allows enough space to reinstall the panel.

Main Control Board Replacement

⚠ WARNING: Disconnect power before attempting any maintenance or cleaning to reduce the risk of electric shock or damage to persons.

⚠ CAUTION: If unit was operating prior to servicing allow at least 10 minutes for lights and heating elements to cool off to avoid accidental burning of skin.

Tools required: Phillips head screwdriver

⚠ CAUTION: Follow “Preparation for Service” instructions before proceeding.

Tools required: Phillips head screwdriver

1. Remove the decorative acrylic ember-bed pieces from the media tray, which lies along the bottom of the interior Partially Reflective Glass. A medium sized container such as a bucket or a box will be needed to keep the acrylic ember-bed pieces together.
2. Remove the Partially Reflective Glass retaining brackets by removing the 3 screws on each brackets; (3 brackets in total), located on the left and right side of the Partially Reflective Glass. (Figure 13)
3. Remove the Partially Reflective Glass. Carefully place the glass assembly aside in a safe location.
4. Locate the defective display / control board (Figure 10).
5. Disconnect wires from old board and transfer to new board. (Figure 14)

! NOTE: Using a flat head screwdriver gently pry between the end of the connectors and the board to release the wires.

6. Remove the relay board off the plastic mounts by pinching the plastic mounting tabs with needle nose pliers. Pull the old board off.
7. Line up the holes on the board and gently press the new board onto the mounts. Make sure the board is secure.
8. Reassemble in the reverse order as above.

⚠ CAUTION: When re-installing, be sure the wires are guided and tucked into the proper openings along the right side so they are not pinched and allows enough space to reinstall the panel.

Flicker Motor Replacement

⚠ WARNING: Disconnect power before attempting any maintenance or cleaning to reduce the risk of electric shock or damage to persons.

⚠ CAUTION: If unit was operating prior to servicing allow at least 10 minutes for lights and heating elements to cool off to avoid accidental burning of skin.

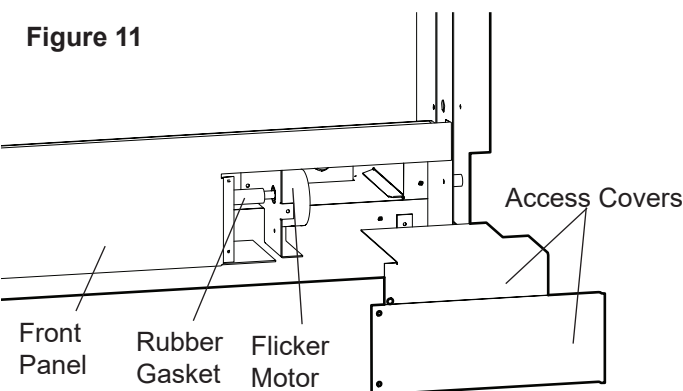
Tools required: Phillips head screwdriver
Short handled Phillips head screwdriver

⚠ CAUTION: Follow “Preparation for Service” instructions before proceeding.

1. In the bottom right hand of the unit, remove both of the access covers. (Figure 11)
2. Remove the 2 screws holding the flicker motor to the bracket.
3. Holding the rubber gasket on the shaft, carefully remove the entire assembly.
4. Disconnect the wiring connections from the wire connectors noting their original locations and install the new motor similarly.
5. Properly orient the new flicker motor onto the bracket and re-attach with the 2 mounting screws.
6. Reassemble in the reverse order as above.

⚠ CAUTION: When removing and replacing the flicker motor try to keep any slight bending of the flicker rod minimal so as to not damage it. If flicker rod is damaged, it should be replaced to ensure proper operation.

⚠ CAUTION: When re-installing, be sure the wires are guided and tucked into the proper openings along the right side so they are not pinched and allows enough space to reinstall the panels.



Flicker Rod Replacement

⚠ WARNING: Disconnect power before attempting any maintenance or cleaning to reduce the risk of electric shock or damage to persons.

⚠ CAUTION: If unit was operating prior to servicing allow at least 10 minutes for lights and heating elements to cool off to avoid accidental burning of skin.

Tools required: Phillips head screwdriver
Short handled Phillips head screwdriver

⚠ CAUTION: Follow “Preparation for Service” instructions before proceeding.

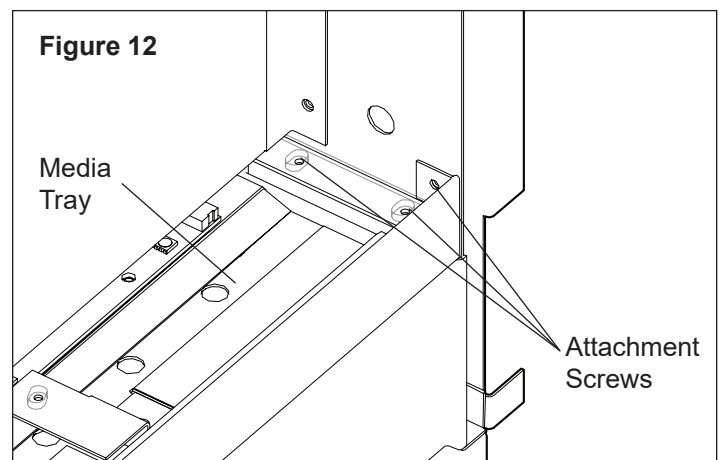
1. Remove the decorative acrylic ember-bed pieces from the media tray, which lies along the bottom of the interior Partially Reflective Glass. A medium sized container such as a bucket or a box will be needed to keep the acrylic ember-bed pieces together.
2. Remove the Partially Reflective Glass retaining brackets by removing the 3 screws on each brackets; (3 brackets in total), located on the left and right side of the Partially Reflective Glass. (Figure 13)
3. Remove the Partially Reflective Glass. Carefully place the glass assembly aside in a safe location.
4. In the bottom right hand of the unit, remove the two screws and the front access cover. (Figure 11)
5. In the media tray, remove the two screws on either end and the one on the side wall, to remove the clear media tray and the front panel. (Figure 12)

! NOTE: Tip the front panel forward then lift out of the unit.

6. Remove the flicker rod by holding the gasket and sliding it to the left. This will disengage it from the motor. It will then be possible to remove it out of the opening.
7. Reassemble in the reverse order as above.

⚠ CAUTION: When removing and replacing the flicker motor try to keep any slight bending of the flicker rod minimal so as to not damage it. If flicker rod is damaged, it should be replaced to ensure proper operation.

⚠ CAUTION: When re-installing, be sure the wires are guided and tucked into the proper openings along the right side so they are not pinched and allows enough space to reinstall the panels.



LED Light Strips Replacement

⚠ WARNING: Disconnect power before attempting any maintenance or cleaning to reduce the risk of electric shock or damage to persons.

⚠ CAUTION: If unit was operating prior to servicing allow at least 10 minutes for lights and heating elements to cool off to avoid accidental burning of skin.

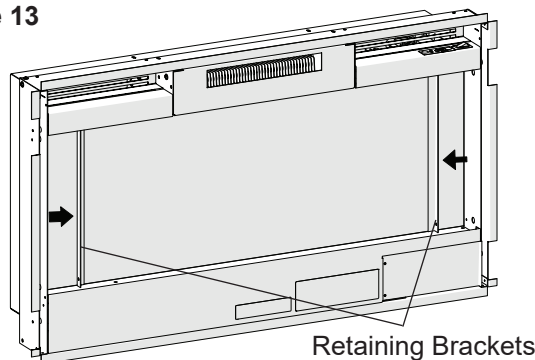
Tools required: Phillips head screwdriver
Wire Snips

⚠ CAUTION: Follow “Preparation for Service” instructions before proceeding.

1. Remove the decorative acrylic ember-bed pieces from the media tray, which lies along the bottom of the interior Partially Reflective Glass. A medium sized container such as a bucket or a box will be needed to keep the acrylic ember-bed pieces together.
2. Remove the Partially Reflective Glass retaining brackets by removing the 3 screws on each brackets; (3 brackets in total), located on the left and right side of the Partially Reflective Glass. (Figure 13)
3. Remove the Partially Reflective Glass. Carefully place the glass assembly aside in a safe location.
4. In the bottom right hand of the unit, remove the two screws and the front access cover. (Figure 11)
5. In the media tray, remove the two screws on either end and the one on the side wall, to remove the clear media tray and the front panel. (Figure 12)
6. Remove the flicker rod. This can be done by sliding it to the left which will disengage it from the flicker motor.
7. Locate the LED strip that needs to be replaced.
8. Disconnect the wire from the board by pulling gently on the connector at the end.
9. Remove the board from the mounting bracket by pressing in the center of the standoffs to release them.
10. Line up the holes on the board and gently press the new board onto the mounts. Make sure the board is secure.
11. Reconnect the wire.
12. Reassemble in the reverse order as above.

⚠ CAUTION: When removing and replacing the flicker motor try to keep any slight bending of the flicker rod minimal so as to not damage it. If flicker rod is damaged, it should be replaced to ensure proper operation.

Figure 13



High Temperature Cutout Replacement

⚠ WARNING: Disconnect power before attempting any maintenance or cleaning to reduce the risk of electric shock or damage to persons.

⚠ CAUTION: If unit was operating prior to servicing allow at least 10 minutes for lights and heating elements to cool off to avoid accidental burning of skin.

Tools required: Phillips head screwdriver

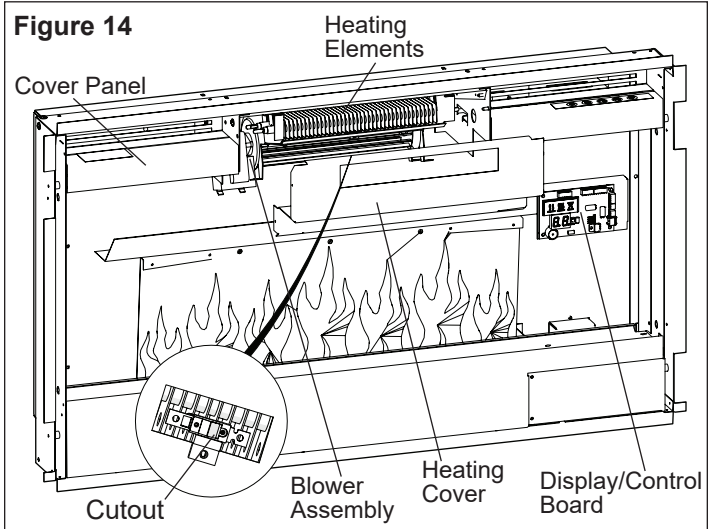
⚠ CAUTION: Follow “Preparation for Service” instructions before proceeding.

1. Remove the decorative acrylic ember-bed pieces from the media tray, which lies along the bottom of the interior or Partially Reflective Glass. A medium sized container such as a bucket or a box will be needed to keep the acrylic ember-bed pieces together.

! NOTE: Try to ensure the pieces do not get pushed or wedged underneath the Partially Reflective Glass. They may obstruct the ease of removing the Partially Reflective Glass from the fireplace.

2. Remove the Partially Reflective Glass retaining brackets by removing the 3 screws on each brackets; (3 brackets in total), located on the left and right side of the Partially Reflective Glass. (Figure 14)
 3. Remove the Partially Reflective Glass. Carefully place the glass assembly aside in a safe location.
 4. Remove the remaining screw, that secures the controls assembly (Figure 9), located at the top of the mirror on the right side of the unit.
 5. Slide the controls assembly out toward the front of the unit.
- ⚠ CAUTION:** Ensure that the assembly is removed carefully, ensuring that no wires are caught or over strained.
6. Remove the heating cover by removing the 4 screws: 2 on the left and 2 on the right of the tray. (Figure 14)
 7. Locate the high temperature cutout and remove the mounting screw.
 8. Remove the 2 screws, that secure the controls assem-

Figure 14



bly (Figure 9), located at the top of the mirror on the right side of the unit.

- Slide the controls assembly out toward the front of the unit.

⚠ CAUTION: Ensure that the assembly is removed carefully, ensuring that no wires are caught or over strained.

- Disconnect the wiring connections noting their original locations.

! **NOTE:** Using a flat head screwdriver gently pry between the end of the connectors and the board to release the wires.

- Properly orient the new high temperature cutout and connect all of the wiring connections.
- Reassemble in the reverse order as above.

Element Replacement

⚠ WARNING: Disconnect power before attempting any maintenance or cleaning to reduce the risk of electric shock or damage to persons.

⚠ CAUTION: If unit was operating prior to servicing allow at least 10 minutes for lights and heating elements to cool off to avoid accidental burning of skin.

Tools required: Phillips head screwdriver.
Needle nosed pliers.

⚠ CAUTION: Follow “Preparation for Service” instructions before proceeding.

- Remove the decorative acrylic ember-bed pieces from the media tray, which lies along the bottom of the interior Partially Reflective Glass. A medium sized container such as a bucket or a box will be needed to keep the acrylic ember-bed pieces together.

! **NOTE:** Try to ensure the pieces do not get pushed or wedged underneath the Partially Reflective Glass. They may obstruct the ease of removing the Partially Reflective Glass from the fireplace.

- Remove the Partially Reflective Glass retaining brackets by removing the 3 screws on each brackets; (3 brackets in total), located on the left and right side of the Partially Reflective Glass. (Figure 14)
- Remove the Partially Reflective Glass. Carefully place the glass assembly aside in a safe location.
- Remove the remaining screw, that secures the controls assembly (Figure 9), located at the top of the mirror on the right side of the unit.
- Slide the controls assembly out toward the front of the unit.

⚠ CAUTION: Ensure that the assembly is removed carefully, ensuring that no wires are caught or over strained.

- Remove the heating cover by removing the 4 screws: 2 on the left and 2 on the right of the tray. (Figure 14)
- From the top panel of the heating assembly housing, remove the 4 screws that hold the element cover to the housing panel.

- Disconnect wires from the ends of the elements noting their original locations.

! **NOTE:** Using a flat head screwdriver gently pry between the end of the connectors and the element to release the wires.

! **NOTE:** Some of the wires may have a “piggy-back” connector that allows a second wire to connect to the same prong as the first wire. Try and keep the “piggy-back” connection together when pulling the wires off the element.

- Reassemble in the reverse order as above.

⚠ CAUTION: When re-installing covers and panels, be sure the wires are guided and tucked into the proper openings along the right side so they are not pinched and allows enough space to reinstall panel.

Blower Replacement

⚠ WARNING: Disconnect power before attempting any maintenance or cleaning to reduce the risk of electric shock or damage to persons.

⚠ CAUTION: If unit was operating prior to servicing allow at least 10 minutes for lights and heating elements to cool off to avoid accidental burning of skin.

Tools required: Phillips head screwdriver.
Needle nosed pliers.

⚠ CAUTION: Follow “Preparation for Service” instructions before proceeding.

- Remove the decorative acrylic ember-bed pieces from the media tray, which lies along the bottom of the interior Partially Reflective Glass. A medium sized container such as a bucket or a box will be needed to keep the acrylic ember-bed pieces together.

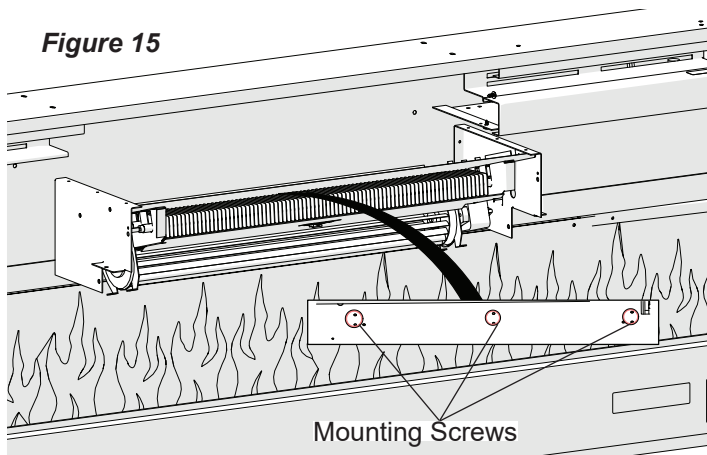
! **NOTE:** Try to ensure the pieces do not get pushed or wedged underneath the Partially Reflective Glass. They may obstruct the ease of removing the Partially Reflective Glass from the fireplace.

- Remove the Partially Reflective Glass retaining brackets by removing the 3 screws on each brackets; (3 brackets in total), located on the left and right side of the Partially Reflective Glass. (Figure 14)
- Remove the Partially Reflective Glass. Carefully place the glass assembly aside in a safe location.
- Remove the remaining screw, that secures the controls assembly (Figure 9), located at the top of the mirror on the right side of the unit.
- Slide the controls assembly out toward the front of the unit.

⚠ CAUTION: Ensure that the assembly is removed carefully, ensuring that no wires are caught or over strained.

- Remove the heating cover by removing the 4 screws: 2 on the left and 2 on the right of the tray. (Figure 14)
- Remove the 2 screws, that secure the controls assembly (Figure 9), located at the top of the mirror on the right side of the unit.

8. Slide the controls assembly out toward the front of the unit.
- ⚠ **CAUTION:** Ensure that the assembly is removed carefully, ensuring that no wires are caught or over strained.
9. Remove the 2 screws, that secure the cover panel (Figure 14), located at the top of the mirror on the left side of the unit.
10. Remove the three screws on either side of the heater/blower assembly and gently lower the assembly so that the top can be viewed.
- ⚠ **CAUTION:** When removing the blower assembly mounting screws, support the assembly to prevent any damage to the unit.
11. Remove the 6 screws (3 sets) that secure the blower to the assembly (Figure 15).
12. Disconnect the wiring connections noting their original locations.
- ! **NOTE:** Using a flat head screwdriver gently pry between the end of the connectors and the blower/fan to release the wires.
13. Properly orient the new blower/fan assembly and connect all of the wiring connections.
14. Reassemble in the reverse order as above.



Thermistor Replacement

- ⚠ **WARNING:** Disconnect power before attempting any maintenance or cleaning to reduce the risk of electric shock or damage to persons.
- ⚠ **CAUTION:** If unit was operating prior to servicing allow at least 10 minutes for lights and heating elements to cool off to avoid accidental burning of skin.

Tools required: Phillips head screwdriver.
Needle nosed pliers.

- ⚠ **CAUTION:** Follow "Preparation for Service" instructions before proceeding.
1. Remove the decorative acrylic ember-bed pieces from the media tray, which lies along the bottom of the interior Partially Reflective Glass. A medium sized container

such as a bucket or a box will be needed to keep the acrylic ember-bed pieces together.

- ! **NOTE:** Try to ensure the pieces do not get pushed or wedged underneath the Partially Reflective Glass. They may obstruct the ease of removing the Partially Reflective Glass from the fireplace.
2. Remove the Partially Reflective Glass retaining brackets by removing the 3 screws on each brackets; (3 brackets in total), located on the left and right side of the Partially Reflective Glass. (Figure 14)
 3. Remove the Partially Reflective Glass. Carefully place the glass assembly aside in a safe location.
 4. Remove the remaining screw, that secures the controls assembly (Figure 9), located at the top of the mirror on the right side of the unit.
 5. Slide the controls assembly out toward the front of the unit.
 - ⚠ **CAUTION:** Ensure that the assembly is removed carefully, ensuring that no wires are caught or over strained.
 6. Remove the heating cover by removing the 4 screws: 2 on the left and 2 on the right of the tray. (Figure 14)
 7. Remove the 2 screws, that secure the controls assembly (Figure 9), located at the top of the mirror on the right side of the unit.
 8. Slide the controls assembly out toward the front of the unit.
 - ⚠ **CAUTION:** Ensure that the assembly is removed carefully, ensuring that no wires are caught or over strained.
 9. Remove the 2 screws, that secure the cover panel (Figure 14), located at the top of the mirror on the left side of the unit.
 10. Remove the three screws on either side of the heater/blower assembly and gently lower the assembly so that the top can be viewed.
 - ⚠ **CAUTION:** When removing the blower assembly mounting screws, support the assembly to prevent any damage to the unit.
 11. Locate the thermistor, carefully cut the tie wrap attaching the thermistor to the standoff.
 12. Disconnect the wiring connections on the display / control board.
 13. Install the new thermistor and secure it with a new tie wrap. Ensure that the excess wire is secured in such a way that it does not obstruct other components.
 14. Connect all of the wiring connections.
 15. Reassemble in the reverse order as above.

Troubleshooting Guide

PROBLEM	CAUSE	SOLUTION	PART NUMBER
General			
Circuit breaker trips or fuse blows when unit is turned on	Short in unit wiring.	Trace wiring in unit.	
	Improper circuit current rating	Additional appliances may exceed the current rating of the circuit breaker or fuse. Plug unit into another outlet or install unit on a dedicated 15 amp circuit.	
Lights dim in room while the unit is on	Unit is drawing close to circuit current rating	Move the unit to another outlet or install unit on a dedicated 15 amp circuit	
Power cord gets warm	Normal Operation	The power cord may get slightly warm to the touch when the heater is on	
	Defective power cord	Replace power cord if cord gets hot to the touch.	4100190300RP
Appearance			
Fireplace does not turn on with the manual controls	Improper operation	Refer to Operation section	
	No incoming voltage from the electrical wall socket	Check Fuse/Breaker Panel	
	Loose wiring	Check wiring connections	
	Defective main control board	Replace the main control board	3001640100RP
	Defective switchboard	Replace the switchboard assembly	3001520100RP
	Defective AC/DC adapter	Replace the AC/DC adapter	2100250100RP
Fireplace does not turn on with the Remote Control	Improper operation	Refer to Operation section	
	The batteries in the remote control are dead.	Install new battery into the remote control.	
	Defective remote control	Replace the remote control	6700520200RP
	Defective main control board	Replace the main control board	3001640100RP
Flame Frozen	Improper installation	Ensure that the flicker motor wire is connected with the neutral power wires.	
	Loose wiring	Check wiring connections	
	Defective flicker motor	Replace flicker motor	2000500100RP
	Defective main control board	Replace the main control board	3001640100RP
Flame is not visible	Improper operation	Refer to Operation section. Ensure flames are turned on.	
	Loose wiring	Check wiring connections	
	Flame LED light assembly is not working	Replace flame LED light assembly	3001420200RP
	Defective main control board	Replace the main control board	3001640100RP
Flame Shudder	Defective flicker motor	Replace flicker motor	2000500100RP
Media bed does not light up consistently	Build up of static electricity in unit	Unplug the unit for 1 minute then plug the unit back in.	
Media bed does not light up	Loose wiring	Check wiring connections	
	Defective media LED light assembly	Replace media LED light assembly	6 LED - 3001570100RP 4 LED - 3001570400RP
	Defective main control board	Replace the main control board	3001640100RP
Media bed lighting comes on by itself	Defective main control board	Replace the main control board	3001640100RP

PROBLEM	CAUSE	SOLUTION	PART NUMBER
Heater			
Heater is not turning on, but flame effect is still functioning	Improper operation	Refer to Operation Section. Ensure that heat is not deactivated and that the set temperature is above the room temperature.	
	Loose wiring	Trace wiring in unit	
	Defective main control board	Replace the main control board	3001640100RP
	Defective blower	Replace blower	5300170300RP
	Defective cutout	Replace cutout	2300201500RP
Heater is turning off after a couple of minutes of operation	Improper operation	Refer to Operation section	
	Build up of dirt/dust in blower or louvers	Ensure that exterior intake louvers and firebox cavity are free of dirt/dust.	
	Defective blower	Replace blower	5300170300RP
Heater emits an odor	Normal operation	Normal operation is when the heater emits an odor for a brief period after the heater is initially turned on. The heater is burning off any dust accumulated during manufacturing or inoperation.	
	Defective heating element	Replace heating element	2200510300RP
Heater fan turns on, but heater lacks heat	Improper operation	Refer to Operation section. Ensure that the set temperature is above the room temperature.	
	Loose wiring	Trace wiring in unit	
	Defective element	Replace heating element	2200510300RP
Heating element is glowing red	Normal operation	Small glowing sections of the element are considered normal.	
	Defective blower	If larger glowing sections are causing the heater to trip the thermal cutout, unplug unit, discontinue use and replace the blower.	2200510300RP
Heater fan runs continuously	Normal operation	The fan runs for a cool-down period after the heater has been turned off or has reached the desired temperature	
	Loose wiring	Trace wiring in unit	
	Defective main control board	Defective main control board	3001640100RP
Noise			
Excessive noise with the heater on	Dirty blower/louvers	Ensure that exterior intake louvers and firebox cavity are free of dirt/dust. Clean the blower using compressed air.	
	Defective blower	Replace blower	5300170300RP
Grinding or excessive noise with the heater off	Flicker rod hitting or rubbing against internal components	Ensure rod is straight and mounted properly in the bracket, spinning freely away from other components. Replace if necessary.	
	Defective flicker motor	Replace flicker motor	2000500100RP

REV	PCN	DATE
00	-	6-JAN-16
01	-	16-AUG-19

1-888-346-7539 | www.dimplex.com

In keeping with our policy of continuous product improvement, we reserve the right to make changes without notice.

© 2019 Glen Dimplex Americas

GlenDimplex
AMERICAS
 Enhancing the moments that matter in life