

2023/24

LUXUS[®]

WOOD SERIES



LUXUS[®] 36 Pier

Treat yourself with luxury



AMBIANCE[®]
FIREPLACES | GRILLS

LUXUS®



LUXUS® 40 Corner Left

Manufactured in Germany, the LUXUS® Series of wood burning fireplaces is truly exceptional. Superior engineering, amazing attention to the smallest detail, unsurpassed innovation and incredible quality are all found in this sumptuous new collection. In German, LUXUS® means luxury, extravagance, sumptuousness. Satisfying your senses seems to be at the root of understanding and defining this word.

The distinguished LUXUS® fireplace collection includes two-sided corner, bay, pier styles and an impressive see-thru option. Each model features an incredibly smooth operating guillotine door that cleverly hides away when moved up! The clean look with no louvers, unobstructed view of the flames and the 'feel' of these fireplaces are total luxury!

You'll enjoy living in LUXUS®!



LUXUS®

AMBIANCE®
FIREPLACES | GRILLS



LUXUS® 40 See-Thru

Treat yourself with luxury

LUXUS®



FEATURES

OPTIMUM COMBUSTION

Means an efficient use of energy, with less soot and lower emissions with dry and seasoned wood. This is because the air for combustion enters the firebox beneath the heavy duty cast iron grate. Another example of that impressive German ingenuity!

THE AMAZING GUILLOTINE DOOR

The guillotine door, standard on all models, allows for a large unobstructed view of the fire and slides up and down almost effortlessly. The door's hardware is ingeniously hidden. You'll feel the luxury every time you use it.

CONVECTION

Air naturally circulates, without the aid of a fan. The heated air can be ducted off the top of the fireplace and into the room(s) to aid the heat distribution.



LUXUS® 40 Bay

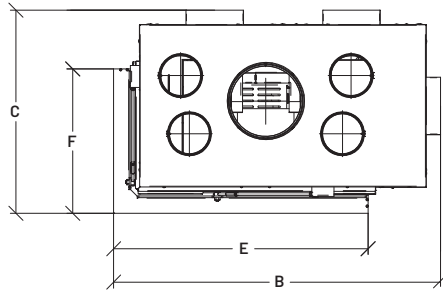




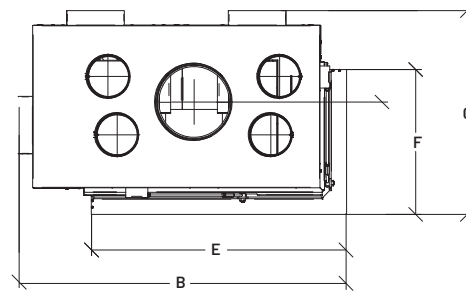
TECHNICAL SPECIFICATIONS

LUXUS® 32 Corner Left, LUXUS® 40 Corner Left

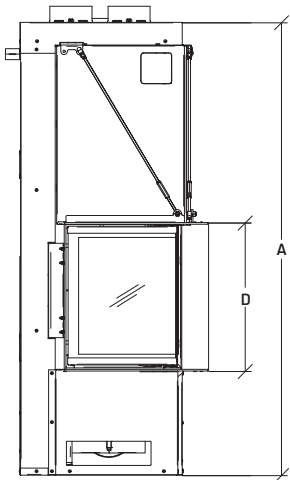
LUXUS® 32 Corner RIGHT, LUXUS® 40 Corner RIGHT



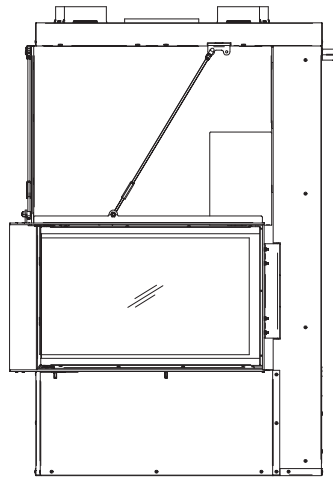
Top view



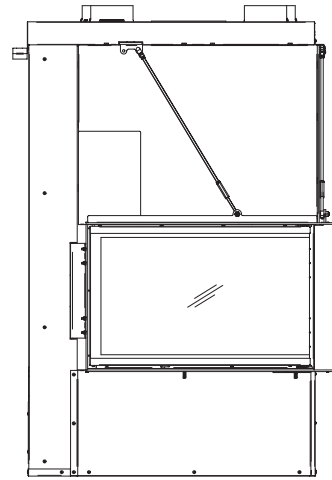
Top view



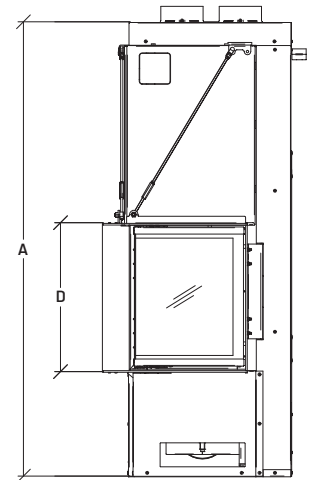
Side view



Front view



Front view



Side view

	BTU		FIREBOX		WEIGHT	VENTING		
	Cordwood	EPA	Cu. Ft	Log Length	Lbs	Type	Diameter	Brands
32 Corner L / R	46,000	EPA Exempt	4.14	18"	606	Class A	10"	Selkirk, Security Chimneys, ICC RIS, Duravent
40 Corner L / R	49,000	EPA Exempt	4.16	18"	617	Class A	10"	Selkirk, Security Chimneys, ICC RIS, Duravent

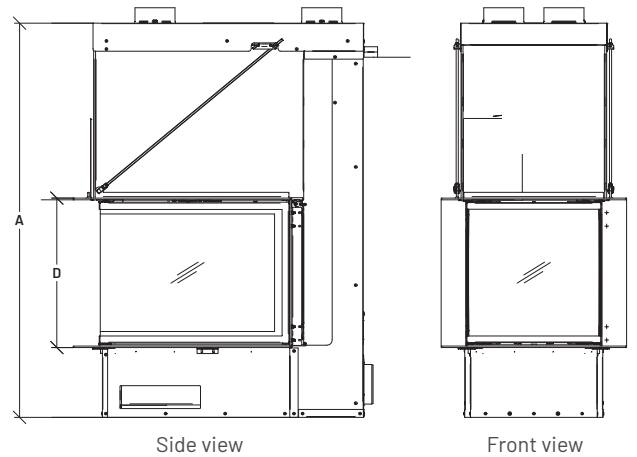
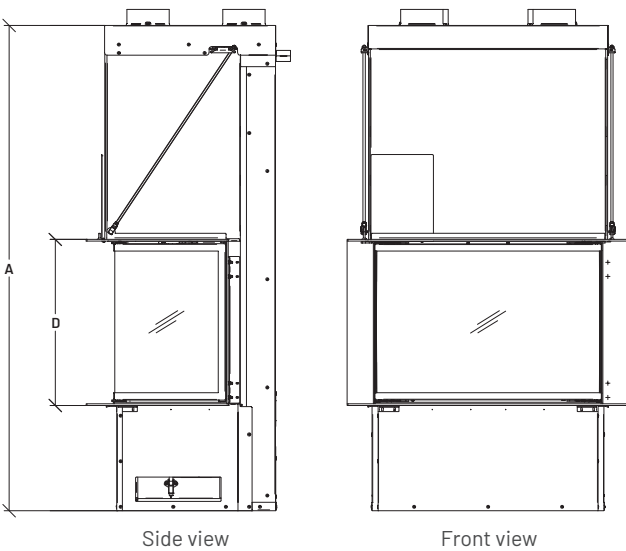
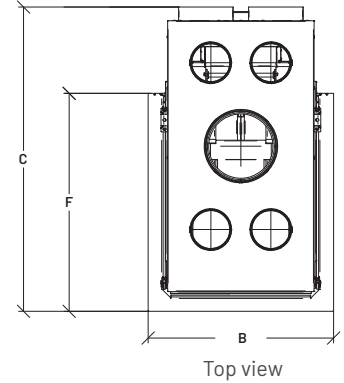
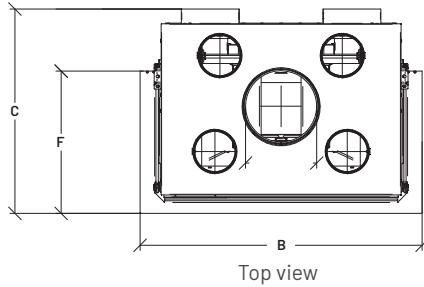
	GUILLOTINE GLASS DOOR			DIMENSIONS			AIR CIRCULATION
	Front panel	Side Panel	Total Sq. In.	Height (A/D)	Depth (C/F)	Width (B/E)	Hot air gravity kit
32 Corner L / R	30.5" x 17.375"	15.1875" x 17.375"	794	63.1875" / 20.6875"	28.3125" / 20.125"	45.625" / 35.5"	Required
40 Corner L / R	38.3125" x 17.75"	15.1875" x 17.75"	950	63.5625" / 21.125"	28.3125" / 20.125"	51.375" / 43.375"	Required



TECHNICAL SPECIFICATIONS

LUXUS[®] 32 Bay, LUXUS[®] 40 Bay

LUXUS[®] 28 Pier, LUXUS[®] 36 Pier



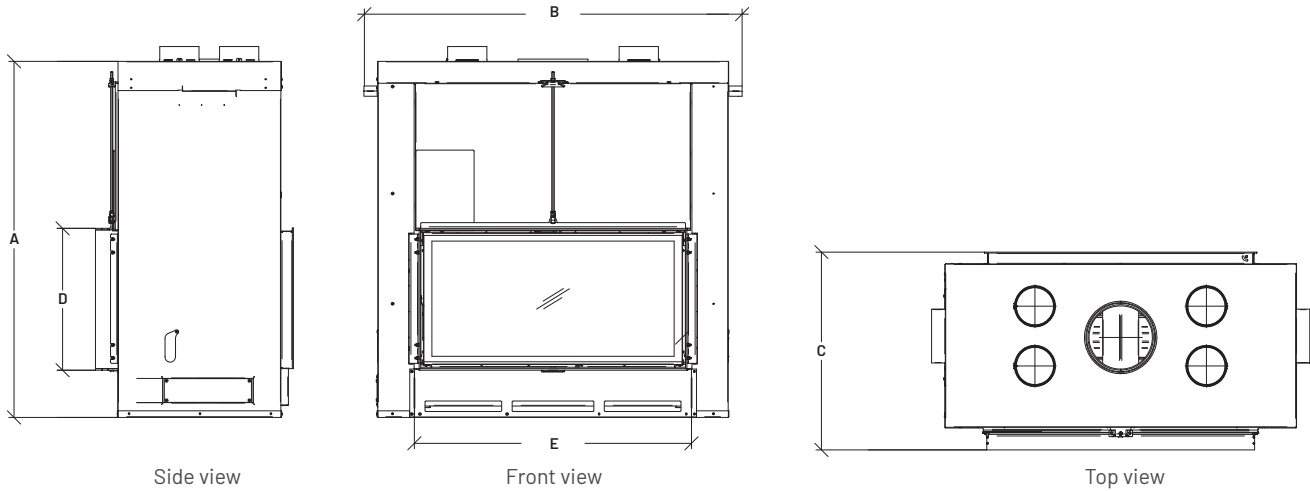
	BTU		FIREBOX		WEIGHT Lbs	VENTING		
	Cordwood	EPA	Cu. Ft	Log Length		Type	Diameter	Brands
32 Bay	40,000	EPA Exempt	4.4	20"	617	Class A	10"	Selkirk, Security Chimneys, ICC RIS, Duravent
40 Bay	49,000	EPA Exempt	5.9	20"	662	Class A	10"	Selkirk, Security Chimneys, ICC RIS, Duravent
28 Pier	49,000	EPA Exempt	3.9	18"	827	Class A	10"	Selkirk, Security Chimneys, ICC RIS, Duravent
36 Pier	57,500	EPA Exempt	6	18"	1023	Class A	10"	Selkirk, Security Chimneys, ICC RIS, Duravent

	GUILLOTINE GLASS DOOR			DIMENSIONS			AIR CIRCULATION
	Front panel	Side Panel	Total Sq. In.	Height (A/D)	Depth (C/F)	Width (B)	Hot air gravity kit
32 Bay	31.1875" x 19.625"	14.3125" x 19.625"	893	67.125" / 20.6875"	28.25" / 19.6875"	39"	Required
40 Bay	39" x 19.625"	16.3125" x 19.625"	1405	67.125" / 22.9375"	30.25" / 21.625"	46.875"	Required
28 Pier	19.5" x 18.5625"	26.6875" x 18.5625"	1353	57.875" x 21.9375"	44.625" x 32"	27.25"	Required
36 Pier	21.5625" x 17.1875"	35.625" x 17.1875"	1595	57.875" x 21.9375"	52.5" x 39.875"	29.375"	Required



TECHNICAL SPECIFICATIONS

LUXUS[®] 40 See-Thru



	BTU		FIREBOX		WEIGHT	VENTING		
	Cordwood	EPA	Cu. Ft	Log Length	Lbs	Type	Diameter	Brands
40 See-Thru	49,000	EPA Exempt	6.8	18"	772	Class A	10"	Selkirk, Security Chimneys, ICC RIS, Duravent

	GLASS			DIMENSIONS			AIR CIRCULATION
	Guillotine Door	Back Panel	Total Sq. In.	Height (A/D)	Depth (C)	Width (B/E)	Hot air gravity kit
40 See-Thru	38.5" x 18.875"	38.5" x 19.5"	727 (Each side)	53.0625" / 21"	29.5"	56.375" / 41.3125"	Required



WHY CHOOSE AN AMBIANCE® FIREPLACE OR GRILL?

Ambiance® transforms a house into a home!

Ambiance® products will add elegance, peace of mind and comfort to the Soul of your home. All Ambiance® products are carefully selected and designed with your home in mind, to enrich the areas of your home where memories and life take place. The best quality and innovation are shown in the enhanced detail and features that add a little «je ne sais quoi» in our Ambiance® designs.

Who are our designers? They are a network of over 300 Hearth & BBQ authorized members from coast to coast covering both Canada and USA. From Alaska to Québec and Florida to California, they know what it takes to warm up your life and use their real-world experience to design quality and innovative products for your home.

Who can sell the Ambiance® products? Only our select authorized dealers who are local professionals and who understand your local codes and standards.

A house needs a sense of Ambiance® to transform into a home.

*Ambiance®
the Soul of your home*



WOOD FIREPLACES STANDARD FEATURES INCLUDES

- ▶ Amazingly large viewing on the fire
- ▶ Tested and certified by a North American Laboratory to the highest standards
- ▶ The smoothest guillotine door of the industry
- ▶ Engineered and manufactured in Germany
- ▶ Impressive fires with moderate heat
- ▶ High quality chamotte refractory panels
- ▶ Unequaled luxury fit and finish