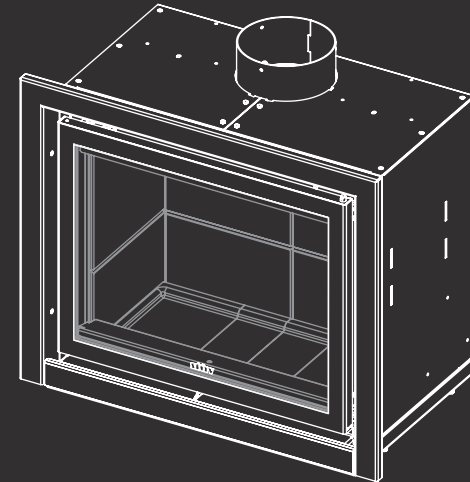
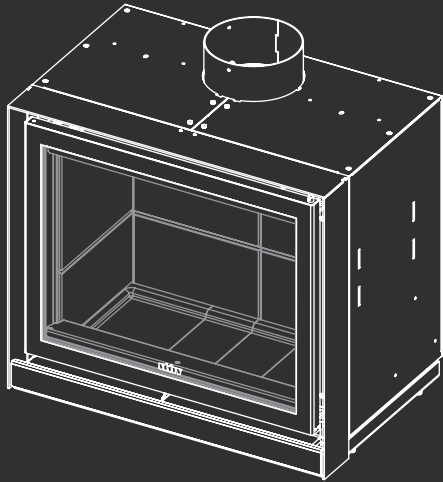


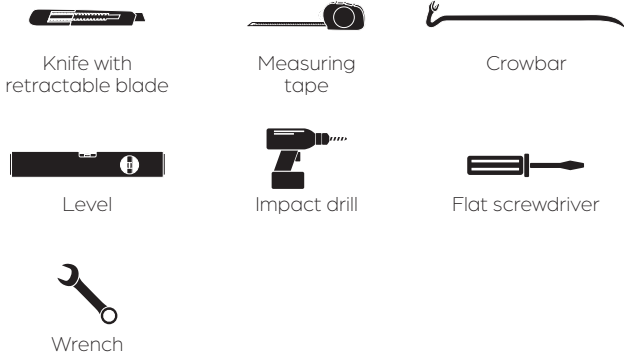
STUV 16-IN

INSTALLATION MANUAL

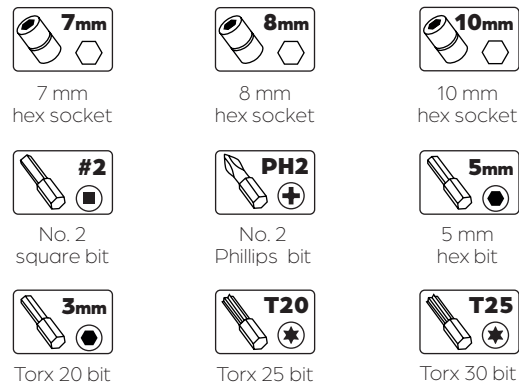
Keep these instructions for future reference



REQUIRED TOOLS



REQUIRED HARDWARE



REQUIRED MATERIAL



THANK YOU!

Thank you for choosing a Stûv wood-burning insert! It has been designed to provide maximum pleasure, comfort and safety. The utmost care has been taken in manufacturing this product. If, despite this, you still find a flaw, please contact your dealer.

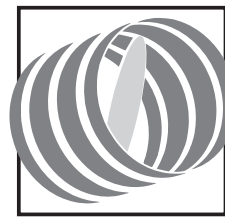


APPENDICES

This manual explains how to carry out a standard installation of a Stûv 16-cube and 16-H unit. To install a frame or the air damper, certain particularities, which are outlined in the additional manuals provided, must be followed as applicable. If the appendices are missing, contact our customer service department and request the manual(s) needed, mentioning the code under the icon(s) below.

Look for these symbols. They signal a change from the standard installation. It is very important to look through the installation manual and the additional manuals before getting started and to follow the instructions closely during installation to ensure that no steps are omitted.

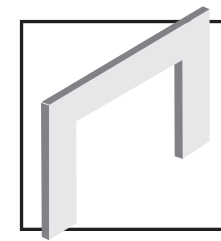
Keep all instruction manuals provided close at hand to have all the information needed and to ensure proper and safe installation.



AIR DAMPER
9310400019



THIN EDGE FRAME
9310400021



PICTURE-TYPE FRAME
9310400020



IMPORTANT

Before installing this Stûv unit, contact the local authorities and/or your insurance company to obtain a building permit and inquire about all the requirements that need to be met.

For information on all the applicable regulatory requirements, contact your local fire department before starting the installation.

TABLE OF CONTENTS

1. CERTIFICATION



4

- 1.1 Certification 5
- 1.2 Technical Characteristics 5
- 1.3 Marking Labels 6
- 1.4 Safety Instructions 7

2. COMPONENTS



8

- 2.1 List of Components 9
- 2.2 Air Intake Accessories 11
- 2.3 Frames 12

3. DIMENSIONS



13

- 3.1 Stûv 16-in Dimensions 14
- 3.2 Hearth Opening 15
- 3.3 Non-Combustible Materials 16
- 3.4 Risk Area 18
- 3.5 Air Supply 19

4. INSTALLATION



21

- 4.1 Unpacking 22
- 4.2 Base Plate and Connection 23
- 4.3 Removing the Door 25
- 4.4 Moving the Insert 26
- 4.5 Connecting to the Smoke Outlet 27
- 4.6 Finishing 28
- 4.7 Adjusting the Door 29

5. CHIMNEY



31

- 5.1 Dimensions and Certification 32
- 5.2 Typical Installation 33

6. USE



34

- 6.1 Fuel Selection 35
- 6.2 Starting the Fire 36
- 6.3 Reloading the Fire 38
- 6.4 Ash Removal 38

7. MAINTENANCE



39

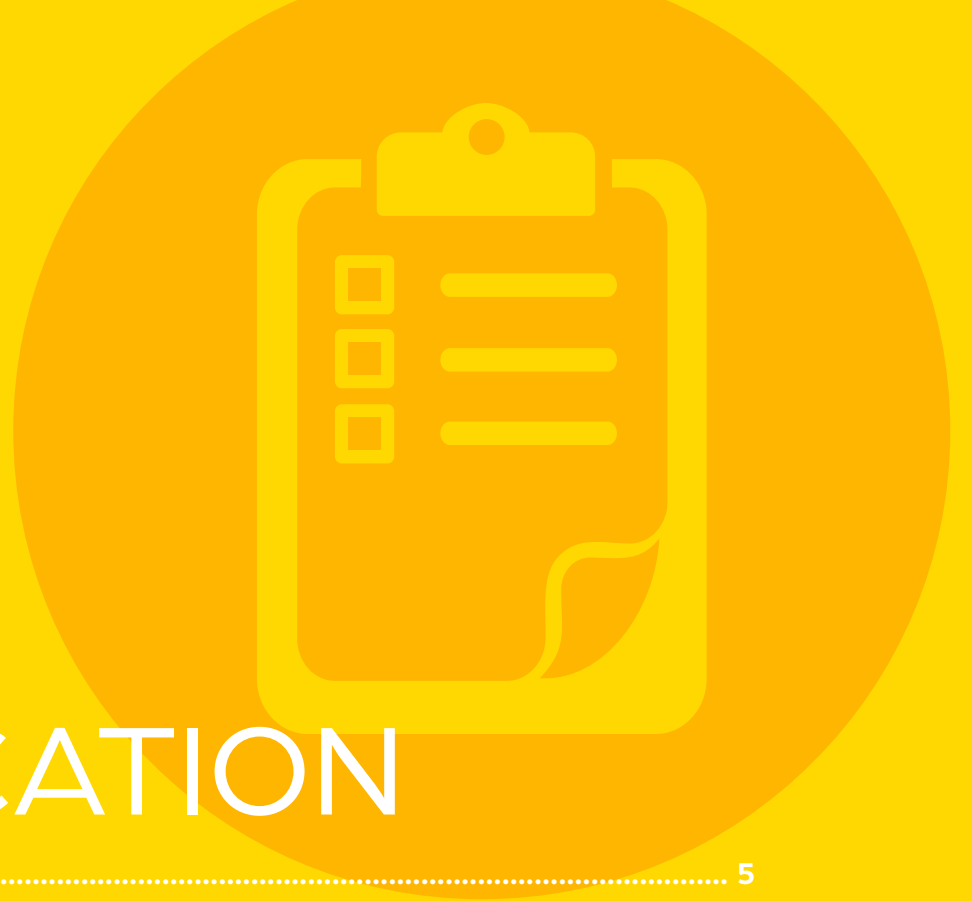
- 7.1 Regular Maintenance 40
- 7.2 Replacing Components 41
- 7.3 Creosote and Chimney-Sweeping 44

8. WARRANTY



45

- 8.1 Warranty Details 46
- 8.2 WarrantyForm 47



1

CERTIFICATION

1.1	CERTIFICATION	5
1.2	TECHNICAL SPECIFICATIONS	5
1.3	MARKING LABELS	6
1.4	SAFETY INSTRUCTIONS	7

1.1 CERTIFICATION

16-58 & 16-68



16-78



Tested and certified by CSA
according to these standards:

ULC-S628-93 & UL 1482 - 7th Edition
CSA B415.1-22

[16-58 in & 16-68 in] EPA 2020 CRIB WOOD

[16-78 in] EPA 2015 CRIB WOOD

6" ou 7" LINER listed per:

UL 1777, ULC-S635 ou ULC-S640

This wood heater must be installed in accordance with standard **CSA B365 (Canada) or N.F.P.A. 211 (United States)**, the Installation Code for Solid-Fuel-Burning Appliances and Equipment, the applicable building code and standards applicable to the structure in which the insert will be installed.

The instructions for the installation of this wood heater comply with the above-mentioned standards. They must be closely followed to eliminate the risk of serious problems.

This Stûv unit must be installed by a qualified professional. Improper installation could result in a fire.

To reduce the risk of fire, read this manual carefully before installing or using the wood heater. If the installation instructions are not followed and the wood heater is improperly installed, the risk of incident increases. This can result in fire, property damage, bodily injury and even death.

Keep these instructions for future reference.

NOTE

We strongly recommend that our products be installed and maintained by professionals certified by the Association des Professionnels du Chauffage if you are in Quebec or by Wood Energy Technical Training for the rest of Canada, and by the National Insert Institute in the United States.



1.2 TECHNICAL SPECIFICATIONS



STÛV 16-in	16-58	16-68	16-78
Average fine particle emission rate, in g/h and g/MJ (output)	1.47 g/h 0.058 g/MJ	1.94 g/h 0.089 g/MJ	3.1 g/h 0.111 g/MJ
Fine particle emission rate in first hour, in g/h (output)	2.49 g/h	4.37 g/h	5.63 g/h
Average efficiency of the appliance (%)	70.3%	61.6%	66.6%
Minimum heat output rate (BTU/h)	22 432*	24 080*	23 256*
Maximum heat output rate (BTU/h)	27 015*	24 818*	28 765*
Max. log length	17"	21"	25"
Stûv 16-in weight	180 lb.	205 lb.	228 lb.
Combustion chamber volume	1.59 pi ³	1.94 pi ³	2.19 pi ³
Wood consumption/H	1.87 kg/h	2.12 kg/h	2.16 kg/h
Tested fuel	Crib wood		

This manual describes the installation and operation of the Stûv 16-in wood heater. Models 16-58 and 16-68 meet the 2020 U.S. Environmental Protection Agency's fine particle emission limits for wood heaters sold after May 15, 2020.

*Value calculated under specific test conditions (calculated according to standard CSA B415.1). The results are calculated according to the wood's high calorific value.

Efficiency can be affected by the appliance's location in the building, the geographic location, outdoor temperatures and the wood used. See the **FUEL SELECTION** section for more information.

1.3 MARKING LABELS



MODELS/MODÈLES :
STÜV 16-58 in, 16-68 in
MANUFACTURED BY / FABRIQUÉ PAR :
STÜV AMERICA 34, Boul. de l'Aéroport
 Bromont QC Canada J2L 1S6 [stuvamerica.com]

DATE OF MANUFACTURE / DATE DE FABRICATION	2023	JAN	FEB	MAR	APR
2024	MAY	JUN	JUL	AUG	
2025	SEP	OCT	NOV	DEC	

LABEL NO. / NO. D'ÉTIQUETTE :

STÜV 16 - 000 000



CERTIFIED AND CONFORMS TO / CERTIFIÉ CONFORMÉMENT SELON :
 UL-C-5628-93 & UL 1482 - 7th Edition, CSA B415-1-22, EPA 2020 CRIB WOOD
 16-58 in: 1.47 G/H (EPA 2020) | 16-68 in: 1.94 G/H (EPA 2020)

LISTED FACTORY BUILT STOVE FOR USE IN CANADA AND THE U.S.A.
 NOT SUITABLE FOR MOBILE HOME INSTALLATION

POÈLE PRÉ-FABRIQUÉ HOMOLOGUÉ POUR LE CANADA ET LES É.U.
 NE PAS INSTALLER DANS UNE MAISON MOBILE

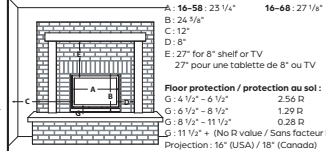
U.S. ENVIRONMENTAL PROTECTION AGENCY
 Certified to comply with 2020 particulate emission standards for single burn rate heaters.
 This single burn rate wood heater is not approved for use with a flue damper.

AGENCE DE PROTECTION DE L'ENVIRONNEMENT É-U
 Conforme aux standards d'émissions pour foyers à combustion constante 2020. Ce foyer à
 vitesse de combustion constante n'est pas approuvé pour utilisation avec un clapet de fumée.

CHIMNEY TYPE (See manual for appropriate choice)
 Use rigid or flexible liner. Use only a 6 or 7 inches liner listed
 per UL 1777, ULC-S635 ou ULC-S640.

TYPE DE CHEMINÉE (Voir la notice d'installation pour les bons choix)
 Utilisez une gaine rigide ou flexible. Utilisez seulement une gaine de 6 ou 7 pouces
 certifiée selon les normes UL 1777, ULC-S635 ou ULC-S640.

The minimum clearances indicated below are: **from the glass** and for all types of combustible materials (e.g. wood, drywall, etc.).
 Les dégagements minimaux indiqués ci-dessous sont **à partir de la vitre** et pour tous matériaux combustibles (ex. : bois, gypse, etc.).



For more details, consult the installation manual
 Pour plus de détails, consulter la notice d'installation

STÜV 16	16-58	16-68
Average particulate emission rate (output) Émission particules fines moyenne (sortie)	1.47 g/h 0.058g/M.J.	1.94 g/h 0.089g/M.J.
Average efficiency of the appliance (%) Rendement moyen de l'appareil (%)	70.3%	61.6%
Minimum heat output rate (BTU/h) Puissance minimum (BTU/h)	22 452	24 080
Maximum heat output rate (BTU/h) Puissance maximum (BTU/h)	27 015	24 818

Check STÜV's installation instructions for precautions required for passing a chimney or chimney connector through a combustible wall or ceiling and reference to local building code for details

Se référer au code au bâtiment et aux instructions STÜV avant de traverser le mur ou le plafond avec votre conduit de cheminée.

MADE IN CANADA / FABRIQUÉ AU CANADA

- Fuel: Cord wood Only.
- This fireplace has been altered to accommodate a fireplace insert and should be inspected by a qualified person prior to re-use as a conventional fireplace.
- Refer to local building code for heart extension dimensions. For safe operation and in accordance to federal regulations follow the manufacturer's instructions.
- For safe operation and in accordance to federal regulations follow the manufacturer's instructions.
- Replace glass only with Stüv's ceramic glass 4 mm thick.
- Do not operate unit with doors open and load on open fire door.
- Components used with fireplace must be listed. See owners manual.
- Contact your local building or fire officials about restrictions and installation inspections in your area.
- Do not overfire - If stove or chimney connector glows, you are overfiring.
- Do not obstruct the combustion and convection air openings.
- Do not connect this unit to a chimney flue serving another appliance.
- Inspect and clean chimney frequently - Under certain conditions of use, creosote buildup may occur rapidly. Inspect and repair wood heater for proper operation.
- Do not use grate or elevate fire. Build wood fire directly on hearth.
- This wood heater needs periodic inspection and repair for proper operation. Consult the owner's manual for further information. It is against federal regulations to operate this wood heater in a manner inconsistent with the operating instructions in the owner's manual.
- **CAUTION:** Hot parts. Do not operate unit with damper removed.

- Combustible: Bois de corde seulement.
- Ce foyer a été équipé d'un insert récupérateur de chaleur et devra être inspecté par une personne qualifiée pour être à nouveau utilisé comme un foyer conventionnel.
- Se référer au code du bâtiment local pour le prolongement de l'âtre.
- Pour un fonctionnement sécuritaire et conformément aux règlements fédéraux, suivre directives d'installation du fabricant.
- Remplacer le verre uniquement par un verre de céramique Stüv de 4 mm d'épaisseur.
- Ne pas utiliser l'appareil les portes ouvertes et charger seulement à feu ouvert.
- Les composantes utilisées dans l'appareil doivent être répertoriées. Voir la notice d'utilisation.
- Communiquer avec les autorités locales en matière de construction ou d'incendie pour connaître les restrictions et inspections d'installation dans votre région.
- Ne pas chauffer au point ou des parties deviennent rougeoyantes.
- Ne pas obstruer les ouvertures d'air de combustion et de convection.
- Ne pas relier cet appareil à un conduit de cheminée servant un autre appareil.
- Inspecter et nettoyer la cheminée fréquemment.
- Dans certaines conditions d'utilisation, l'accumulation de créosote peut se faire rapidement. Inspecter et réparer l'insert pour assurer le bon fonctionnement.
- Ne pas utiliser de chenet. Ne pas surélever le feu. Brûler le bois directement au fond de l'âtre.
- Cet insert a besoin d'inspection et d'entretien périodiques pour sa bonne utilisation. Consultez le manuel d'utilisation pour davantage d'informations. L'utilisation contraire au manuel d'utilisation représente une violation de la loi fédérale.
- **ATTENTION:** Pièces chaudes. Ne pas faire fonctionner avec le clapet retiré.

! CAUTION - ATTENTION!



HOT WHILE IN OPERATION DO NOT TOUCH, KEEP CHILDREN, CLOTHING AND FURNITURE AWAY. CONTACT MAY CAUSE SKIN BURNS. SEE NAME-PLATE AND INSTRUCTIONS.

CHAUD LORSQU'EN FONCTION. GARDER LES ENFANTS, VÊTEMENTS ET MEUBLES HORS DE PORTÉE. TOUCHER L'APPAREIL POURRAIT CAUSER DES BRÛLURES. VOIR LA FICHE SIGNALÉTIQUE ET INSTRUCTIONS.

DO NOT REMOVE THIS LABEL / NE PAS RETIRER CETTE ÉTIQUETTE

MODELS/MODÈLE :
STÜV 16-78 in
MANUFACTURED BY / FABRIQUÉ PAR :
STÜV AMERICA 34, Boul. de l'Aéroport
 Bromont QC Canada J2L 1S6 [stuvamerica.com]

DATE OF MANUFACTURE / DATE DE FABRICATION	2023	JAN	FEB	MAR	APR
2024	MAY <td>JUN <td>JUL <td>AUG <td></td> </td></td></td>	JUN <td>JUL <td>AUG <td></td> </td></td>	JUL <td>AUG <td></td> </td>	AUG <td></td>	
2025	SEP <td>OCT <td>NOV <td>DEC <td></td> </td></td></td>	OCT <td>NOV <td>DEC <td></td> </td></td>	NOV <td>DEC <td></td> </td>	DEC <td></td>	

LABEL NO. / NO. D'ÉTIQUETTE :

STÜV 16 - 000 000



CERTIFIED AND CONFORMS TO / CERTIFIÉ CONFORMÉMENT SELON :
 UL-C-5628-93 & UL 1482 - 7th Edition, EPA 2015 CRIB WOOD, CSA B415-1-22
 16-78 in: 3.1 G/H (B415-1-22)

LISTED FACTORY BUILT STOVE FOR USE IN CANADA AND THE U.S.A.
 NOT SUITABLE FOR MOBILE HOME INSTALLATION

POÈLE PRÉ-FABRIQUÉ HOMOLOGUÉ POUR LE CANADA ET LES É.U.
 NE PAS INSTALLER DANS UNE MAISON MOBILE

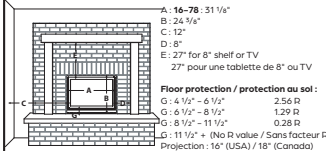
U.S. ENVIRONMENTAL PROTECTION AGENCY
 Certified to comply with 2020 particulate emission standards for single burn rate heaters.
 This single burn rate wood heater is not approved for use with a flue damper.

AGENCE DE PROTECTION DE L'ENVIRONNEMENT É-U
 Conforme aux standards d'émissions pour foyers à combustion constante 2020. Ce foyer à
 vitesse de combustion constante n'est pas approuvé pour utilisation avec un clapet de fumée.

CHIMNEY TYPE (See manual for appropriate choice)
 Use rigid or flexible liner. Use only a 6 or 7 inches liner
 listed per UL 1777, ULC-S635 ou ULC-S640.

TYPE DE CHEMINÉE (Voir la notice d'installation pour les bons choix)
 Utilisez une gaine rigide ou flexible. Utilisez seulement une gaine de 6 ou 7 pouces
 certifiée selon les normes UL 1777, ULC-S635 ou ULC-S640.

The minimum clearances indicated below are: **from the glass** and for all types of combustible materials (e.g. wood, drywall, etc.).
 Les dégagements minimaux indiqués ci-dessous sont **à partir de la vitre** et pour tous matériaux combustibles (ex. : bois, gypse, etc.).



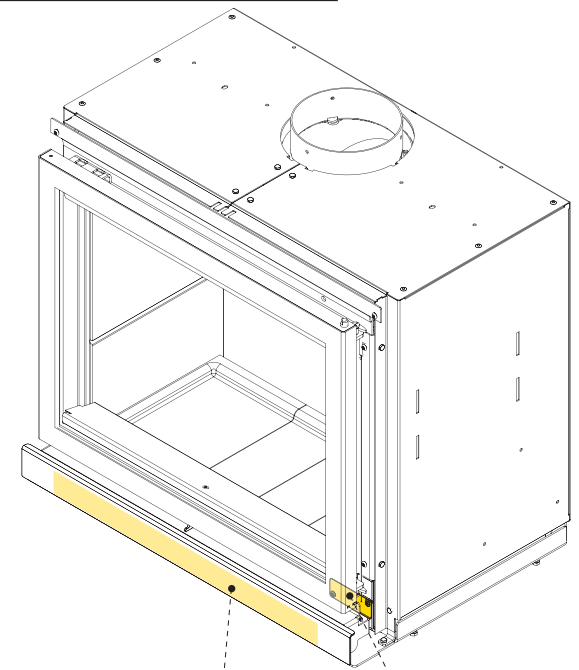
For more details, consult the installation manual
 Pour plus de détails, consulter la notice d'installation

STÜV 16	16-78
Average particulate emission rate (output) Émission particules fines moyenne (sortie)	3.1 g/h 0.111 g/M.J.
Average efficiency of the appliance (%) Rendement moyen de l'appareil (%)	66.6%
Minimum heat output rate (BTU/h) Puissance minimum (BTU/h)	25 256
Maximum heat output rate (BTU/h) Puissance maximum (BTU/h)	28 765

Check STÜV's installation instructions for precautions required for passing a chimney or chimney connector through a combustible wall or ceiling and reference to local building code for details

Se référer au code du bâtiment et aux instructions STÜV avant de traverser le mur ou le plafond avec votre conduit de cheminée.

MADE IN CANADA / FABRIQUÉ AU CANADA



- Fuel: Cord wood Only.
- This fireplace has been altered to accommodate a fireplace insert and should be inspected by a qualified person prior to re-use as a conventional fireplace.
- Refer to local building code for heart extension dimensions. For safe operation and in accordance to federal regulations follow the manufacturer's instructions.
- For safe operation and in accordance to federal regulations follow the manufacturer's instructions.
- Replace glass only with Stüv's ceramic glass 4 mm thick.
- Do not operate unit with doors open and load on open fire door.
- Components used with fireplace must be listed. See owners manual.
- Contact your local building or fire officials about restrictions and installation inspections in your area.
- Do not overfire - If stove or chimney connector glows, you are overfiring.
- Do not obstruct the combustion and convection air openings.
- Do not connect this unit to a chimney flue serving another appliance.
- Inspect and clean chimney frequently - Under certain conditions of use, creosote buildup may occur rapidly. Inspect and repair wood heater for proper operation.
- Do not use grate or elevate fire. Build wood fire directly on hearth.
- This wood heater needs periodic inspection and repair for proper operation. Consult the owner's manual for further information. It is against federal regulations to operate this wood heater in a manner inconsistent with the operating instructions in the owner's manual.
- **CAUTION:** Hot parts. Do not operate unit with damper removed.

- Combustible: Bois de corde seulement.
- Ce foyer a été équipé d'un insert récupérateur de chaleur et devra être inspecté par une personne qualifiée pour être à nouveau utilisé comme un foyer conventionnel.
- Se référer au code du bâtiment local pour le prolongement de l'âtre.
- Pour un fonctionnement sécuritaire et conformément aux règlements fédéraux, suivre directives d'installation du fabricant.
- Remplacer le verre uniquement par un verre de céramique Stüv de 4 mm d'épaisseur.
- Ne pas utiliser l'appareil les portes ouvertes et charger seulement à feu ouvert.
- Les composantes utilisées dans l'appareil doivent être répertoriées. Voir la notice d'utilisation.
- Communiquer avec les autorités locales en matière de construction ou d'incendie pour connaître les restrictions et inspections d'installation dans votre région.
- Ne pas chauffer au point ou des parties deviennent rougeoyantes.
- Ne pas obstruer les ouvertures d'air de combustion et de convection.
- Ne pas relier cet appareil à un conduit de cheminée servant un autre appareil.
- Inspecter et nettoyer la cheminée fréquemment.
- Dans certaines conditions d'utilisation, l'accumulation de créosote peut se faire rapidement. Inspecter et réparer l'insert pour assurer le bon fonctionnement.
- Ne pas utiliser de chenet. Ne pas surélever le feu. Brûler le bois directement au fond de l'âtre.
- Cet insert a besoin d'inspection et d'entretien périodiques pour sa bonne utilisation. Consultez le manuel d'utilisation pour davantage d'informations. L'utilisation contraire au manuel d'utilisation représente une violation de la loi fédérale.
- **ATTENTION:** Pièces chaudes. Ne pas faire fonctionner avec le clapet retiré.

! CAUTION - ATTENTION!



HOT WHILE IN OPERATION DO NOT TOUCH, KEEP CHILDREN, CLOTHING AND FURNITURE AWAY. CONTACT MAY CAUSE SKIN BURNS. SEE NAME-PLATE AND INSTRUCTIONS.

CHAUD LORSQU'EN FONCTION. GARDER LES ENFANTS, VÊTEMENTS ET MEUBLES HORS DE PORTÉE. TOUCHER L'APPAREIL POURRAIT CAUSER DES BRÛLURES. VOIR LA FICHE SIGNALÉTIQUE ET INSTRUCTIONS.

DO NOT REMOVE THIS LABEL / NE PAS RETIRER CETTE ÉTIQUETTE

Marking label Serial number



! WARNING

1. It is essential that this Stûv be installed by a qualified professional. For information on all the applicable regulatory requirements, contact the local fire department before beginning the work.
2. The instructions for the installation of this unit comply with the aforementioned standards. They must be closely followed to eliminate the risk of serious problems. Any use contrary to the installation manual is a violation of federal law.
3. Improper installation of this Stûv unit could result in a fire. To reduce the risk of fire, follow the installation instructions to the letter. Failure to follow the instructions in this manual may result in property damage, bodily injury and even death.
4. Any modifications made to this unit may pose a hazard and will void the warranty. Should repairs be necessary, use only Stûv replacement parts.
5. Combustible materials such as firewood, wet clothing, etc. placed too close to the unit could catch fire. Objects placed in front of the unit must be kept at a distance of at least 48" (4') from the unit's glass face.
6. We recommend storing solid fuel in a clean, dry place. Do not place this type of fuel within the risk area or in the loading/ash removal area.
7. Do not operate this appliance with the door open.
8. Never leave the insert unattended when the door is open. Always close the door after the ignition period.
9. Do not burn garbage, plastic, petroleum-based products, gasoline, rubber, industrial solvents, flammable liquids like naphtha and motor oil, paper, cardboard, wood extracted from salt water and dried, painted wood or any substance that emits dense fumes and strong odours.
10. Do not overfire the unit. Raising the temperature outside of the combustion chamber can result in a chimney fire.
11. Never use chemicals or other liquids such as gasoline, gasoline-based lantern fuel, kerosene, charcoal lighter fluid or similar liquids to start or fuel a fire in the insert. Keep all such liquids away from the unit while it is in operation.
12. Make sure the home is equipped with a smoke and carbon monoxide monitor kept near the insert to prevent carbon monoxide poisoning. We recommend

keeping a type A or ABC fire extinguisher on hand in the event of a chimney fire.

13. Do not connect this appliance to a chimney pipe serving another appliance, or to a hot air distribution system.
14. This unit is hot when in use. Keep children, pets, clothing and furniture at a safe distance. Touching the appliance while it is in operation may cause burns.
15. Some parts of the insert can be very hot when operated at rated capacity. Do not allow the insert to heat to the point where parts become red.
16. Do not use a grate or other method to elevate the fuel. Burn firewood directly on the firebricks. Do not elevate the fire.
17. This appliance needs periodic inspections and maintenance for proper operation (minimum twice during the heating season).
18. Conduct regular maintenance of the insert as previously recommended.
19. Do not install this unit in a mobile home or in a transportable building.
20. The air inlets and outlets must remain unobstructed at all times.
21. The installation of the unit must comply with all local and national regulations.
22. Inspect and sweep the chimney frequently to ensure that it is in good condition. Creosote can build up quickly in certain operating conditions. Inspect and repair the chimney pipe as needed to ensure proper operation.
23. This wood heater has a manufacturer-set minimum low burn rate that must not be altered. It is against federal regulations to alter this setting or otherwise operate this wood heater in a manner inconsistent with operating instructions in this manual.

! IMPORTANT

This Stûv appliance must be registered to be covered by the warranty. Please refer to the last section of this document for guidance.

The self-adhesive **marking label** is located in the back of the flap and the riveted label with the **serial number** is located under the door, on the combustion chamber. They contain all the information needed to register this product. **See previous page.**

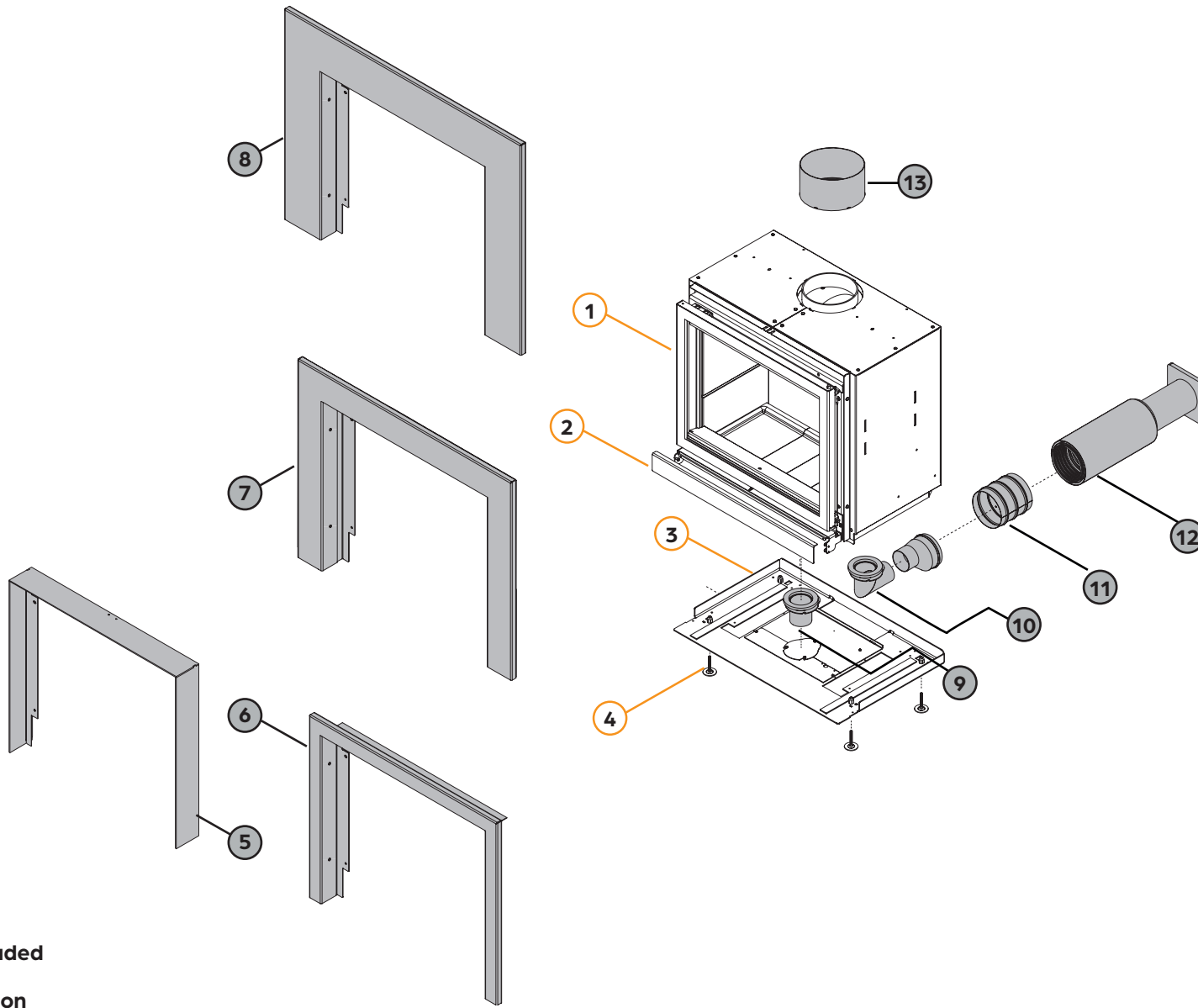
2

COMPONENTS

2.1	LIST OF COMPONENTS	9
2.2	AIR INTAKE ACCESSORIES	11
2.3	FRAMES	12



2.1 LIST OF COMPONENTS



 Included

 Option

2.1 LIST OF COMPONENTS



16-58 IN

FW1011601200

#	DESCRIPTION	PRODUCT CODE	INCLUDED OR OPTION	Q ^{TY}
1	Insert	N/A	Included	1
2	Flap	PW1499762402	Included	1
3	Base plate	PW1499721100	Included	1
4	Leveling feet	PW1499700008	Included	4
5	Thin edge frame	AW1300411700	Required option	1
6	Picture type frame 2"	AW1300411400		
7	Picture type frame 4"	AW1300411401		
8	Picture type frame 6"	AW1300411402		

16-68 IN

FW1011601300

#	DESCRIPTION	PRODUCT CODE	INCLUDED OR OPTION	Q ^{TY}
1	Insert	N/A	Included	1
2	Flap	PW1499762502	Included	1
3	Base plate	PW1499723500	Included	1
4	Leveling feet	PW1499700008	Included	4
5	Thin edge frame	AW1300411800	Required option	1
6	Picture type frame 2"	AW1300411500		
7	Picture type frame 4"	AW1300411501		
8	Picture type frame 6"	AW1300411502		

16-78 IN

FW1011601400

#	DESCRIPTION	PRODUCT CODE	INCLUDED OR OPTION	Q ^{TY}
1	Insert	N/A	Inclus	1
2	Flap	PW1499762602	Inclus	1
3	Base plate	PW1499725900	Inclus	1
4	Leveling feet	PW1499700008	Inclus	4
5	Thin edge frame	AW1300411900	Required option	1
6	Picture type frame 2"	AW1300411600		
7	Picture type frame 4"	AW1300411601		
8	Picture type frame 6"	AW1300411602		

ACCESSORIES

#	DESCRIPTION	PRODUCT CODE	INCLUDED OR OPTION	Q ^{TY}
9	Stûv 16-in outside air intake connector	AW1200200500	Option	1
10	Stûv 16-in outside air intake connector with 90° bend	AW1200202900	Option	
11	Outside air kit	AW1200200001	Option	1
12	4" air damper	AW1200100300	Option	1
13	Ø 7" chimney adaptor	AW1200500800	Option	1

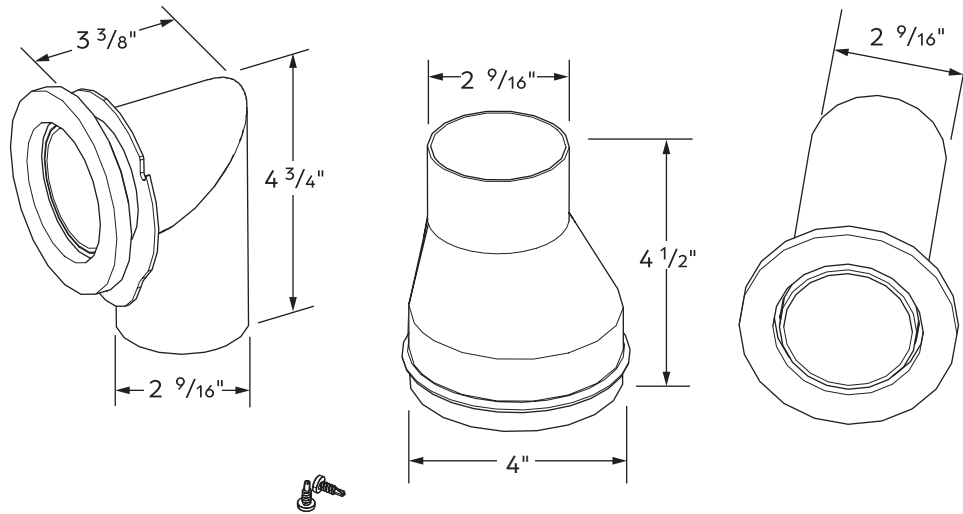
2.2 AIR INTAKE ACCESSORIES



CONNECTORS (STŮV 16-Z)

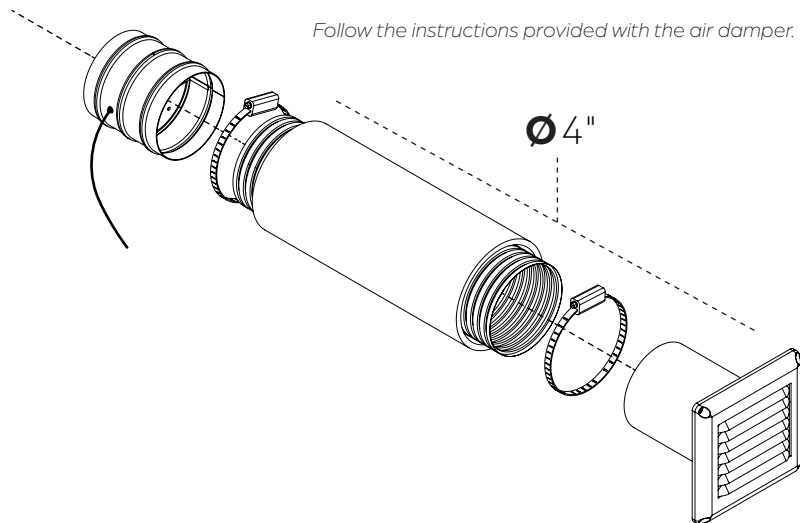
For outside air intake

Installation p.24



OUTSIDE AIR KIT

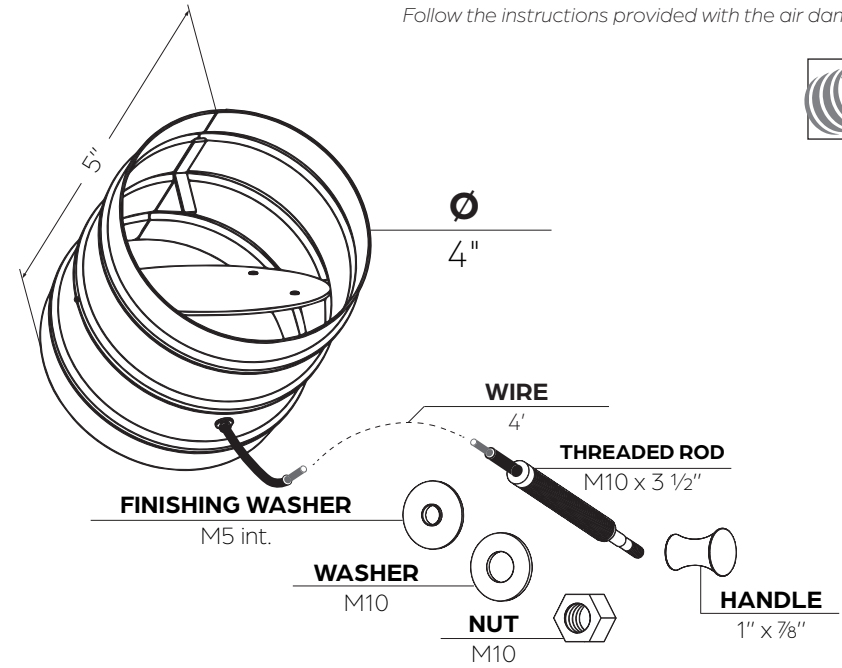
Follow the instructions provided with the air damper.



AIR DAMPER

For outside air intake

Follow the instructions provided with the air damper.

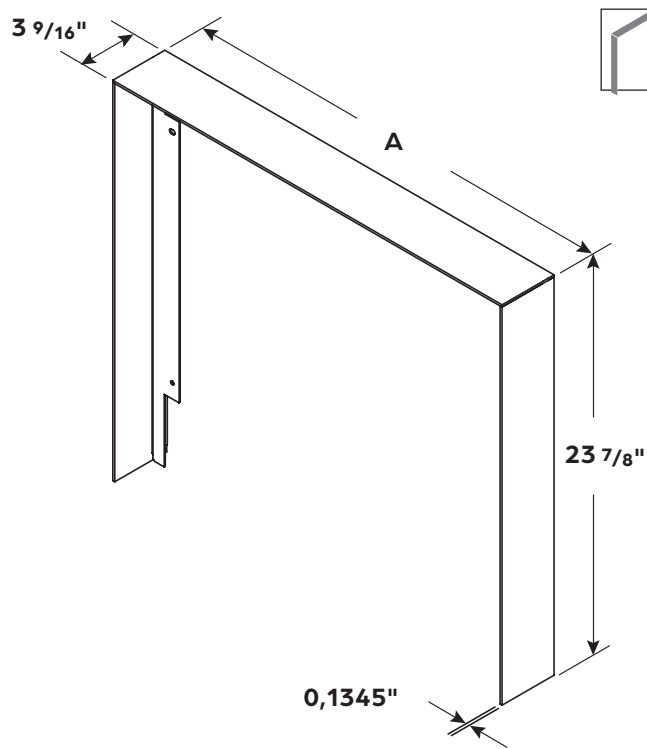


2.3 FRAMES (REQUIRED OPTION)



THIN EDGE FRAME

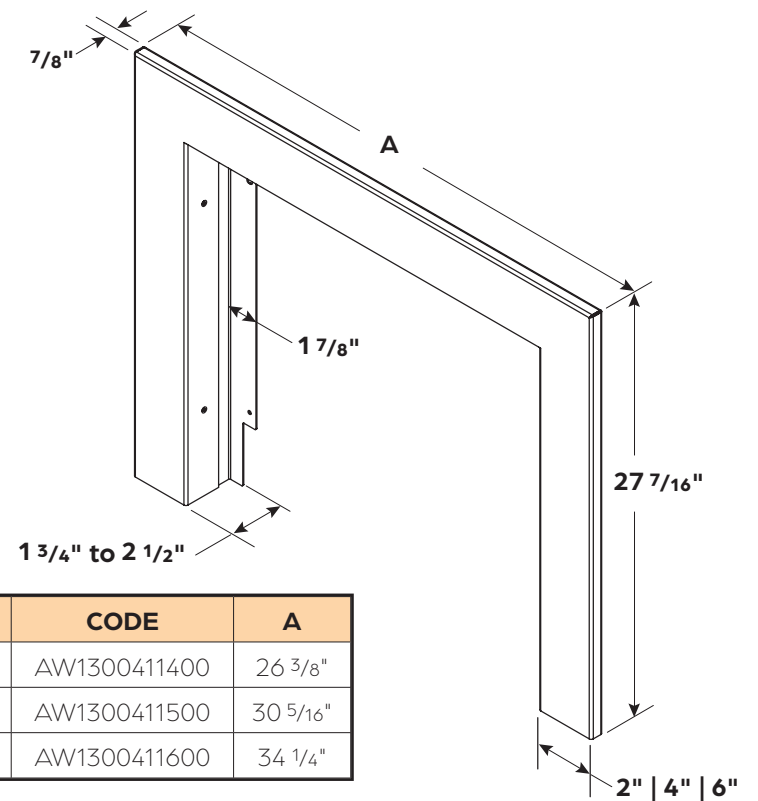
Follow the instructions provided with the thin edge frame



THIN EDGE	CODE	A
16-58	AW1300411700	22 7/8"
16-68	AW1300411800	26 3/4"
16-78	AW1300411900	30 3/4"

PICTURE TYPE FRAME

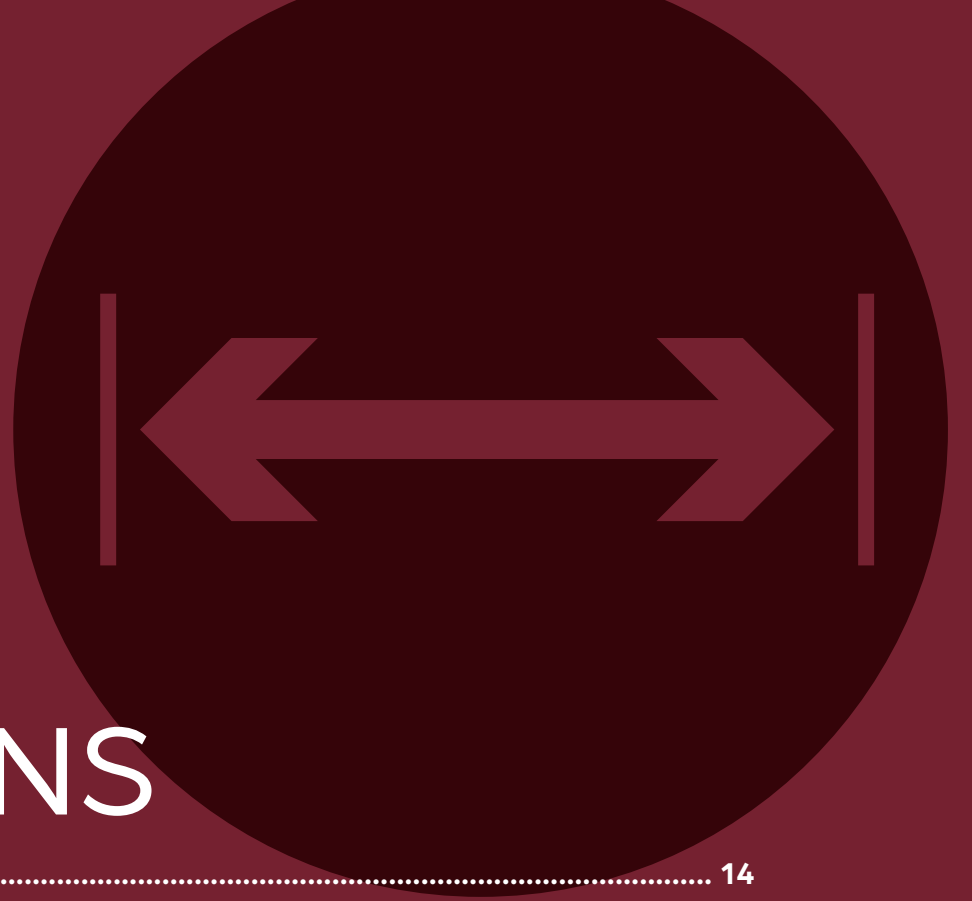
Follow the instructions provided with the picture type frame



2"	CODE	A
16-58	AW1300411400	26 3/8"
16-68	AW1300411500	30 5/16"
16-78	AW1300411600	34 1/4"

4"	CODE	A
16-58	AW1300411401	30 5/16"
16-68	AW1300411501	34 1/4"
16-78	AW1300411601	38 3/16"

6"	CODE	A
16-58	AW1300411402	34 1/4"
16-68	AW1300411502	38 3/16"
16-78	AW1300411602	42 1/8"



3

DIMENSIONS

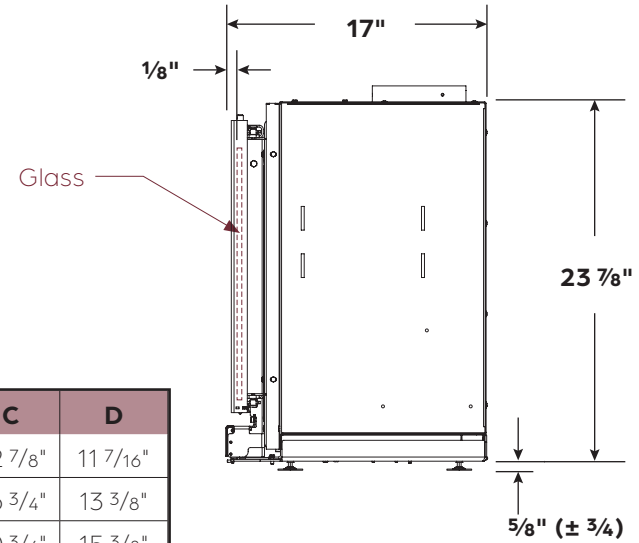
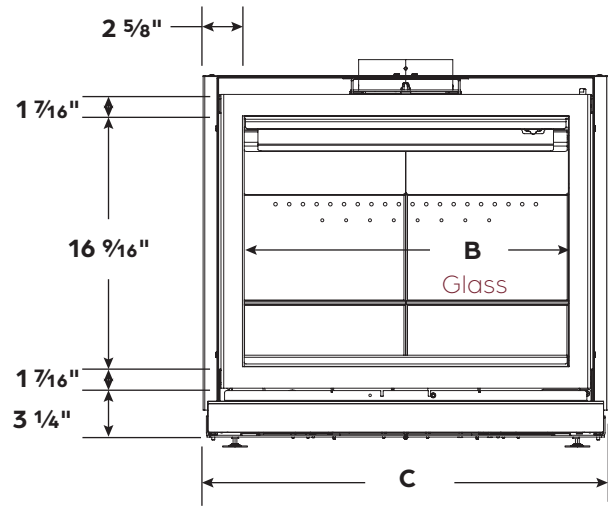
3.1	STÛV 16-IN DIMENSIONS	14
3.2	HEARTH OPENING	15
3.3	NON-COMBUSTIBLE MATERIALS	16
3.4	RISK AREA	18
3.5	AIR SUPPLY	19

3.1 STÛV 16-IN DIMENSIONS



FRONT VIEW

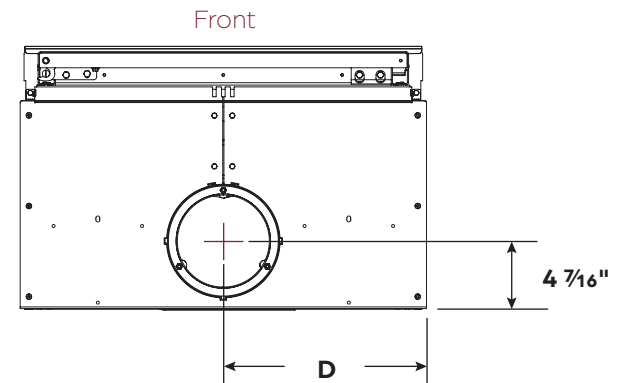
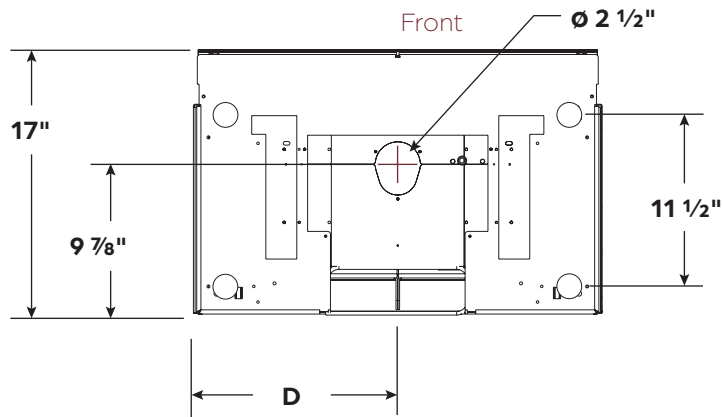
SIDE VIEW



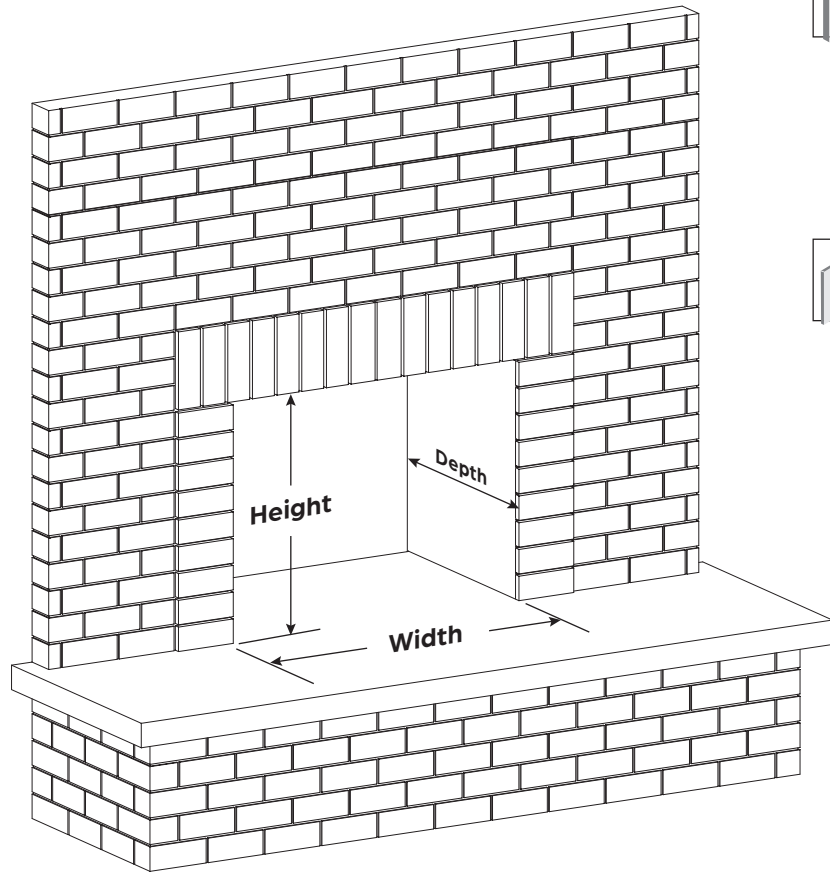
16-in	B	C	D
16-58 in	17 5/8"	22 7/8"	11 7/16"
16-68 in	21 5/8"	26 3/4"	13 3/8"
16-78 in	25 1/2"	30 3/4"	15 3/8"

BOTTOM VIEW

TOP VIEW



3.2 HEARTH OPENING



THIN EDGE FRAME

Thin frame	Width	Depth	Height
16-58 in	23 1/4"	17 3/4"	23 3/8"
16-68 in	27 1/8"		
16-78 in	31 1/8"		

PICTURE TYPE FRAME

2"	Width min. to max.	Depth min. to max.	Height min. to max.
16-58 in	23 5/8" to 26"	17 3/4" to 18 1/2"	24 1/2" to 25 3/8"
16-68 in	27 1/2" to 30"		
16-78 in	31 1/2" to 33 7/8"		

4"	Width min. to max.	Depth min. to max.	Height min. to max.
16-58 in	23 5/8" to 30"	17 3/4" to 18 1/2"	24 1/2" to 27 3/8"
16-68 in	27 1/2" to 34"		
16-78 in	31 1/2" to 33 7/8"		

6"	Width min. to max.	Depth min. to max.	Height min. to max.
16-58 in	23 5/8" to 34"	17 3/4" to 18 1/2"	24 1/2" to 29 3/8"
16-68 in	27 1/2" to 38"		
16-78 in	31 1/2" to 41 7/8"		

NOTE

The masonry will not always be perfectly level. We suggest adding **at least 1/2" of play** to the dimensions in the applicable table.

TIP

To validate whether the insert will fit into the masonry hearth, order the **installation template** (PW9399700001).

3.3 NON-COMBUSTIBLE MATERIALS



MASONRY HEARTH

The Stûv 16-in is designed to be installed in a masonry hearth. The dimensions specific to each frame can be found on the previous page. For larger hearths, larger picture type frames are available, or a painted steel plate can be cut out in the shape of the hearth.

This insert must be installed in a masonry hearth that is in compliance with the building code.

The minimum distance from a perpendicular combustible wall is 12" from the insert's glass.

TELEVISION OR SHELF MADE OF A COMBUSTIBLE MATERIAL

It is possible to install a shelf, a television or a decorative object made of a combustible material **starting at 25"** from the top of the insert, as well as on the sides of the insert, at a **lateral distance of 5 1/2"**.

To plan the installation of such items, it is important to take into account the minimum and maximum dimensions indicated below by always measuring from the outside of the insert. If increasing the depth of the shelf, calculate at a 45° angle from the minimum measurements indicated. The same goes for the thickness of the side edges.

$H =$ Height under the shelf from the top of the insert
 $H_{min.}$ The minimum height is 25"

For a specific height:

$$H_{min.} = \underline{P} + 17''$$

$D =$ Minimum lateral distance from the side of the insert
 $D_{min.}$ The minimum distance is 5 1/2"

For a specific lateral distance:

$$D_{min.} = \underline{E} - 1\frac{1}{2}''$$

$P =$ Depth of the shelf from the door to the minimum height
 $P_{max.}$ The maximum depth is 8"

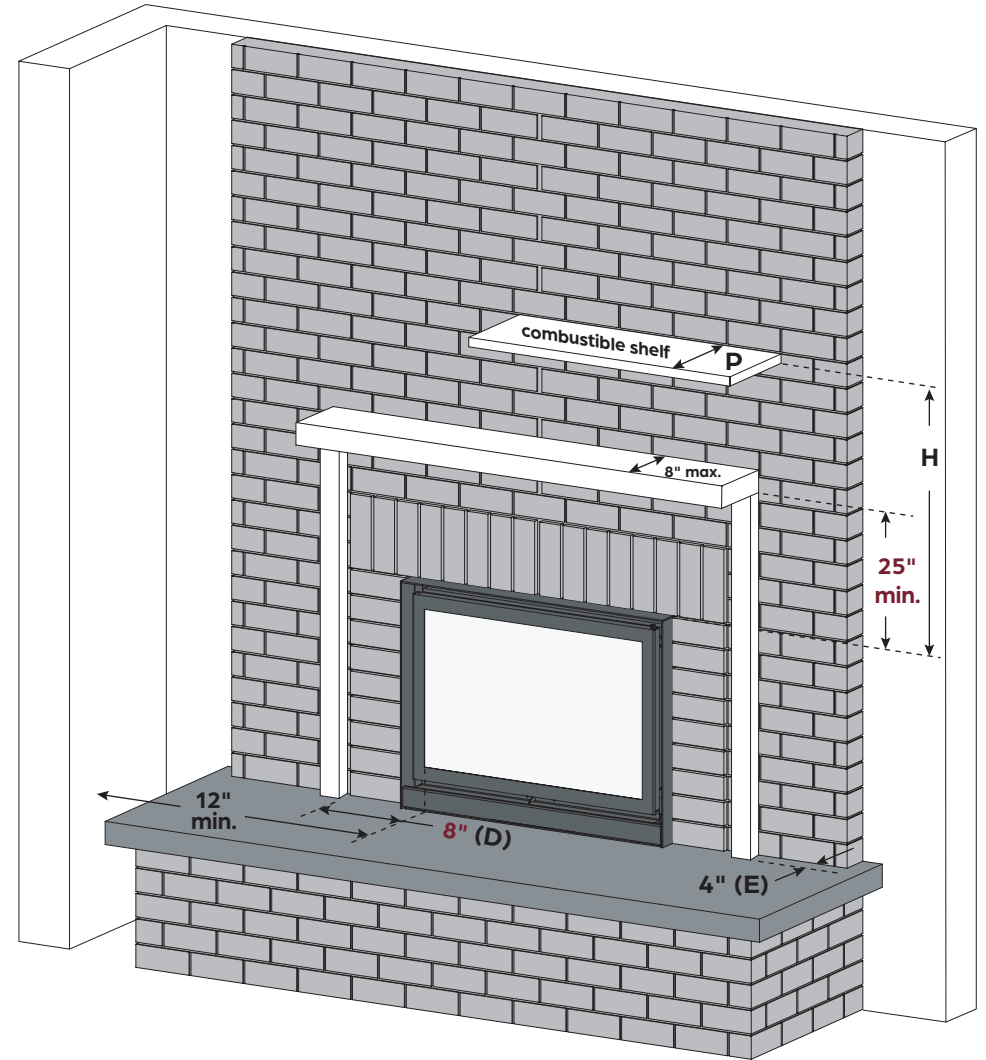
For a specific depth:

$$P_{max.} = \underline{H} - 17''$$

$E =$ Maximum thickness at the minimum lateral distance of 5 1/2"
 $E_{max.}$ The maximum thickness is 4"

For a specific thickness:

$$E_{max.} = \underline{D} + 1\frac{1}{2}''$$



NOTE
 No combustible materials may be installed within the dimensions indicated in red.

3.4 NON-COMBUSTIBLE MATERIALS



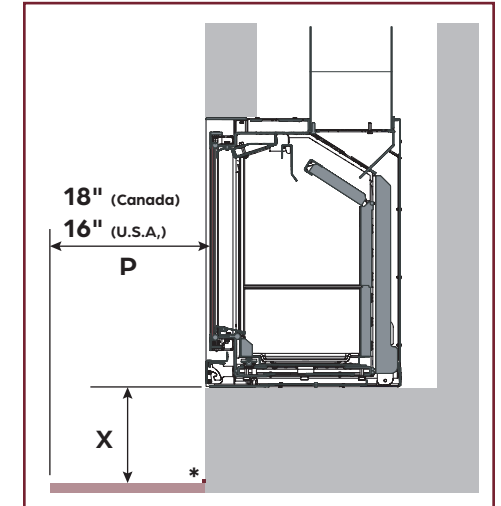
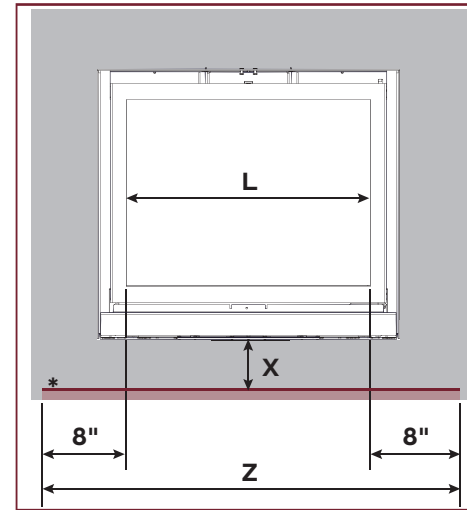
FLOOR PROTECTION AGAINST EMBERS

To be compliant with the building code, floor protection from embers is mandatory. The floor area in front of the insert must be protected by a **non-combustible material**.

This protection must extend the entire width of the glass, plus **8"** on each side, on the projection (**P** in the table) according to the standards applicable in the country concerned. **The projection must be calculated starting from the front of the door.**

*The floor protection must be installed all the way up to the wall, no matter its distance from the insert's door, and a sealing strip must be added at the junction to keep embers from entering the wall.

MODEL	P	S	T
16-58	Canada: 18" USA: 16"	17 5/8"	33 5/8"
16-68		21 5/8"	37 5/8"
16-78		25 1/2"	41 1/2"



HEARTH EXTENSION

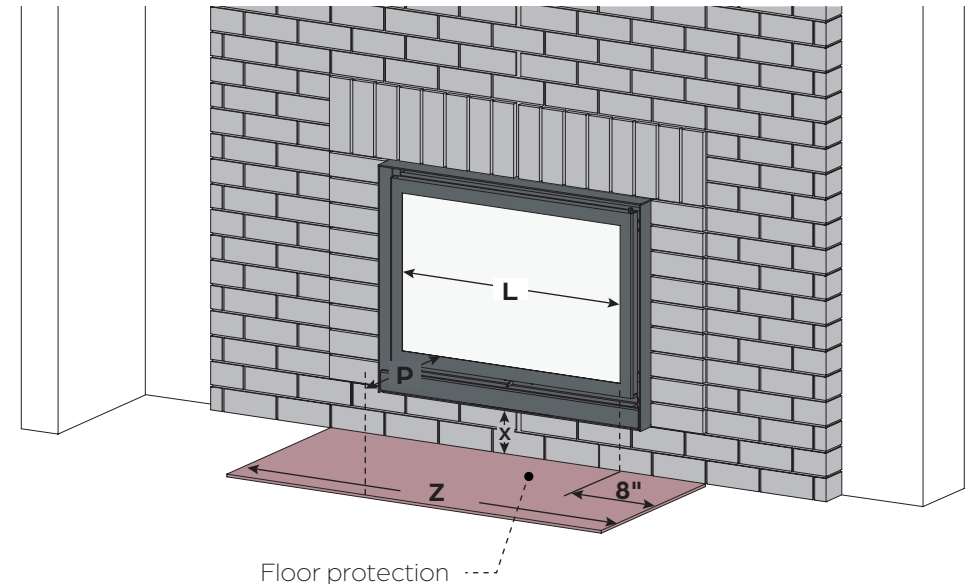
The hearth extension must comply with standards **N.F.P.A 211, CAN/CSA A405** or the **National Building Code of Canada**. If not, the **R value** must be calculated and respected to install the Stüv 16.

In all cases, the masonry hearth and chimney must comply with the above-mentioned standards.

Respect the minimum distances applicable in the country concerned and use materials that respect the minimum R value.

The X dimension must be calculated from under the unit.

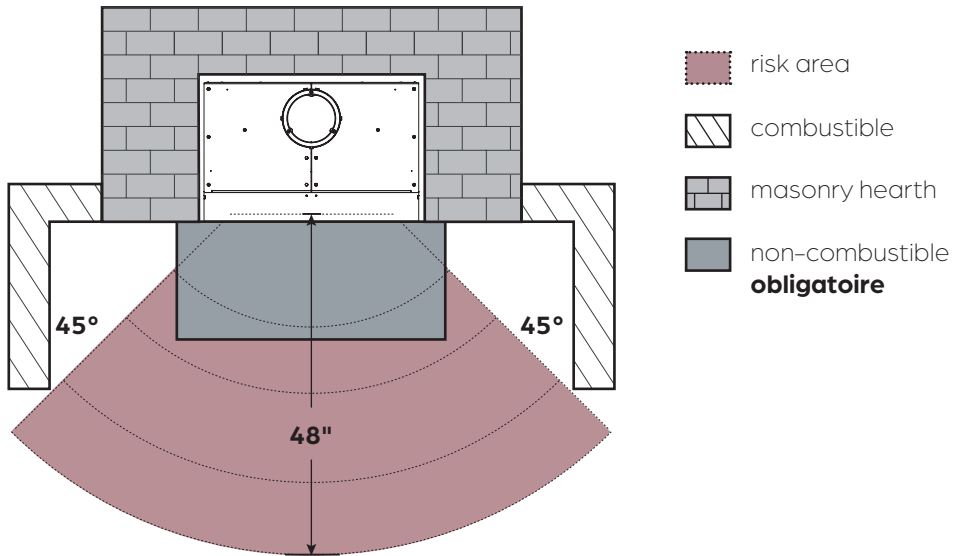
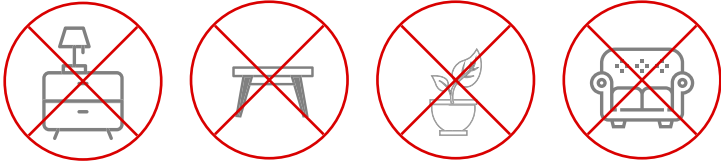
H	R VALUE	EXAMPLES
11 1/2" +	0	All non-combustible materials
8 1/2" to/à 11 1/2"	0.28	1/2" cement board (0.26) + 1/4" ceramic (0.02) = 0.28 R
6 1/2" to/à 8 1/2"	1.29	1/2" Micore® SB (1.47) + 1/4" ceramic (0.02) = 1.49 R
4 1/2" to/à 6 1/2"	2.56	1" Micore® SB (2.94) + 1/4" ceramic (0.02) = 2.96 R



3.5 RISK AREA



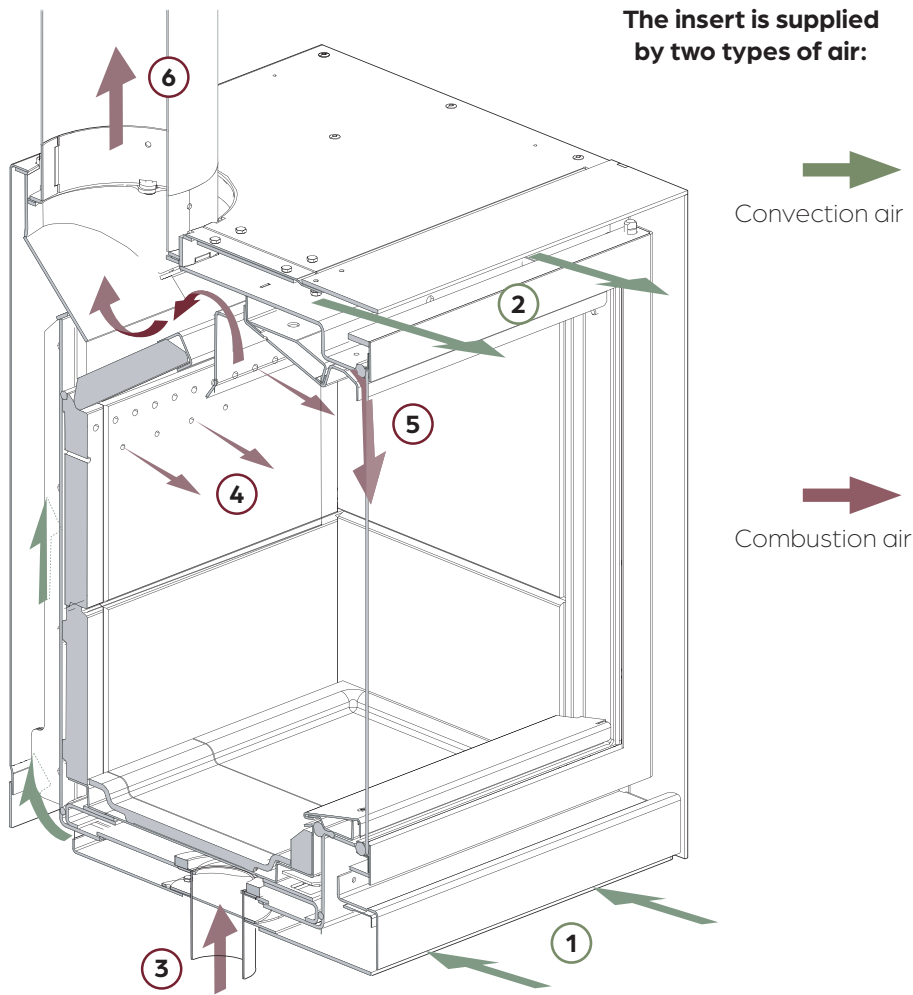
The heat radiating from the glass will be significant. Any combustible object must be placed a minimum of 48" by 90° away from the glass face to avoid any fire risk.



CAUTION - FIRE HAZARD

To avoid major damage, no combustible material should be placed near the insert's door or near the hot air outlet. Blocking the latter may cause the unit to overheat and, in some cases, cause a fire.

Avoid heat traps. Materials exposed to the radiant heat must be able to withstand high temperatures.



CONVECTION AIR

The convection air system is incorporated in the insert. No connection is needed for its operation.

- 1 The ambient air gathered from the room moves along the combustion chamber, absorbing heat
- 2 Once heated, this air exits naturally through the appliance's upper frame, spreading a comforting warmth throughout the room.

COMBUSTION AIR

- 3 The air required for combustion arrives directly from under the appliance via an outside air intake connector specially designed for the Stûv 16-in model (see next page for details).
- 4 The air injected into the top of the combustion chamber allows the gases to be burned a second time, preventing fine particles from being released into the air.
- 5 The air flow along the glass helps keep it free of combustion dust, for an impeccable view of the fire.
- 6 Once the gases have been burned, they are evacuated through the chimney pipe (see CHIMNEY section for details).

The air combustion inlet can be configured in **three ways**. See next page for details.

! CAUTION

The air intake must never be adjusted. This wood heater has a manufacturer-set minimum low burn rate that must not be altered. It is against federal regulations to alter this setting or otherwise operate this wood heater in a manner inconsistent with operating instructions in this manual.

! NOTE

Active air extraction systems (range hood, air conditioning, controlled mechanical ventilation, another insert, etc.) in the same space or in an adjacent room also consume a large amount of air, which could create negative pressure in the room and hamper the insert's operation (risk of backdraft). They can disrupt the insert's operation even if connected to an outside air intake.



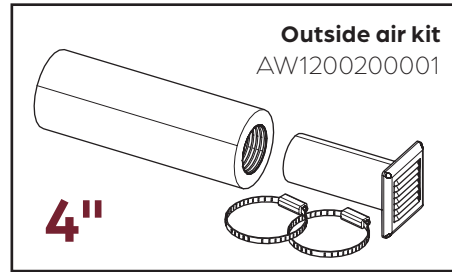
COMBUSTION AIR (OPTIONS)

Option 1: Connected to the outside air with a kit

Although recommended, this setup is mandatory in some places.

Whether it is connected to the insert or not, the duct leading to the outside air must:

- be protected outdoors by a grille whose clear passage section is at least 4" in diameter. Beware of water infiltration, snow accumulation and wind impacts, which can damage the system or hinder its operation
- not be crushed
- ideally be equipped with an air damper (optional)
- be at least 8' long, ideally insulated, and form a loop in the wall to prevent condensation **(in places with winter temperatures)**.



If our standard ϕ 4" flexible duct is used, we recommend a maximum length of 12' with no more than 4 bends (see table to the right). If these recommendations are exceeded, it will be necessary to compensate with a larger diameter and/or a smoother duct.

Duct length	Max. number of 90° bends authorized
0 to 8'	4 bends
8' to 10'	2 bends
12' and +	1 bend

Option 2: Connected to the inside air, in another location near the insert.

This air inlet must have a sufficient air intake (minimum ϕ 4"), from a crawl space, ventilated room (basement) or another room in which the air exchange will always be sufficient.

The criteria for the length of the duct and the bends are the same as for the option 1.

Option 3: Without a connector, air taken from the same room as the insert

This option is not recommended for an airtight house.

If it is not possible to connect the insert to the outside air, it is important to ensure that the air exchange in the room will always be sufficient when the insert is in operation.

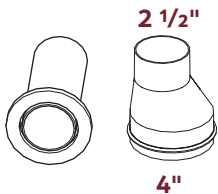
AIR DAMPER (OPTIONAL)

The air damper keeps the house from cooling down when the insert is not in use. It has a 100% open and a 100% closed position, which cannot affect combustion. It is recommended when installing in a highly energy-efficient house.

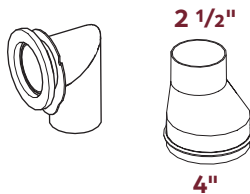
It should ideally be placed as close to the outer wall as possible. Validate that the air damper dimensions meet the installation's needs. The damper's control cable is 48" long and the damper is ϕ 4" in diameter.

CONNECTORS

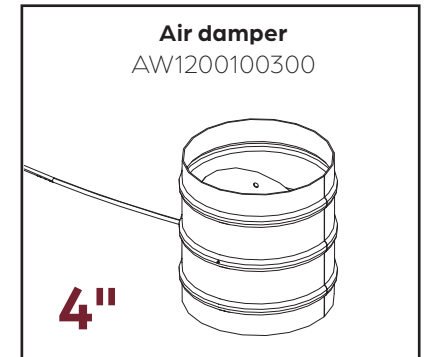
Air intake connector
16-in version
AW1200200500



Air intake connector
with a 90° bend
16-in version
AW1200202900



For more information, see the **Air Damper Installation Manual** (9310400019).



4

INSTALLATION



4.1	UNPACKING	22
4.2	BASE PLATE AND CONNECTION	23
4.3	REMOVING THE DOOR	25
4.4	MOVING THE INSERT	26
4.5	CONNECTING TO THE SMOKE OUTLET	27
4.5	FINISHING	28
4.5	ADJUSTING THE DOOR	29



IMPORTANT

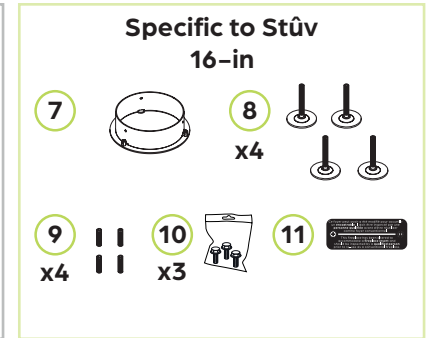
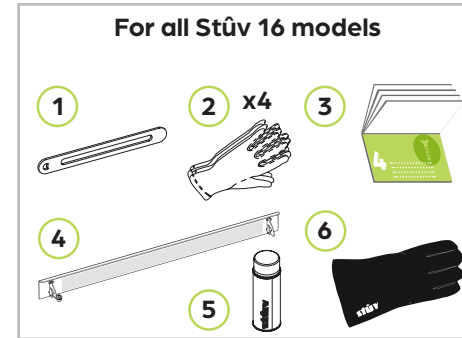
The paint is not cured. It is therefore fairly **fragile**, but will harden after being heated several times. Handle the unit with care.

Inspect the unit.

The warranty does not cover shipping-related damage unless it is reported within 48 hours of delivery.

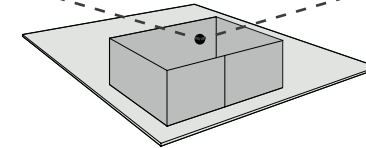
1 CONTENTS OF THE COMPLEMENTARY BOX

1. Door handle
2. **4x** white glove
3. Installation manual
4. Flap with marking label
5. Spray paint for touch-ups
6. Stûv glove
7. Ø6" smoke outlet
8. **4x** 16-in leveling feet
9. **4x** headless screw (M10 x 20)
10. **3x** hex head screw (M6 x 18 mm)
11. Plate to affix in the hearth



CHECK

Check if all the material is included and in good condition.

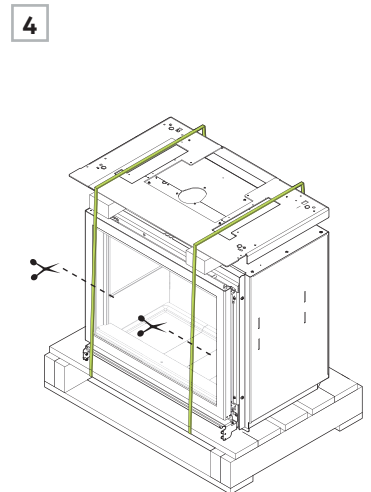
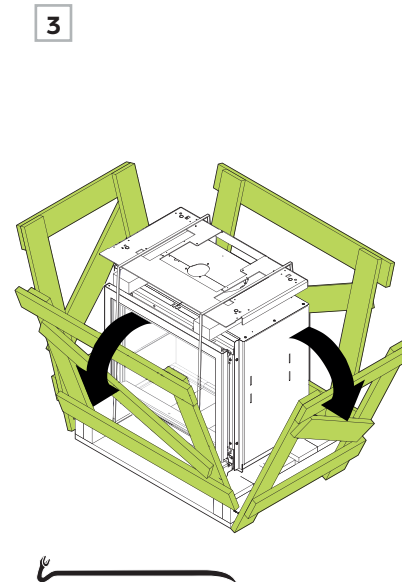
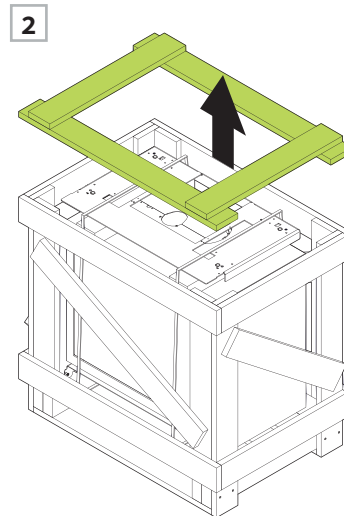


Step 1 The complementary box and any accessories can be found around the insert or its packaging. Validate the receipt of the accessories and the contents of the box.

Step 2 Using a crowbar, remove the top of the shipping pallet.

Step 3 Remove each side so that only the base is left.

Step 4 Cut the straps and carefully remove the protective plastic using a retractable knife. Cut **at the back of the insert** so as not to damage the paint.



4.2 BASE PLATE AND CONNECTION

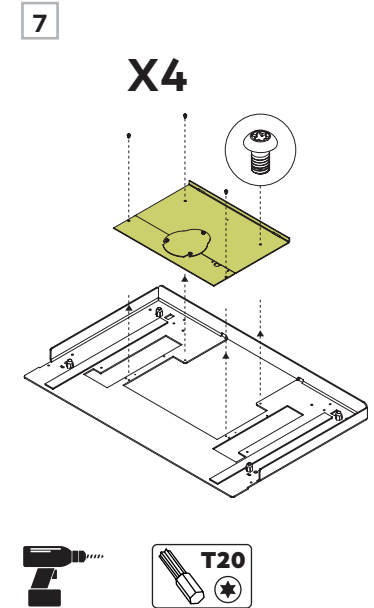
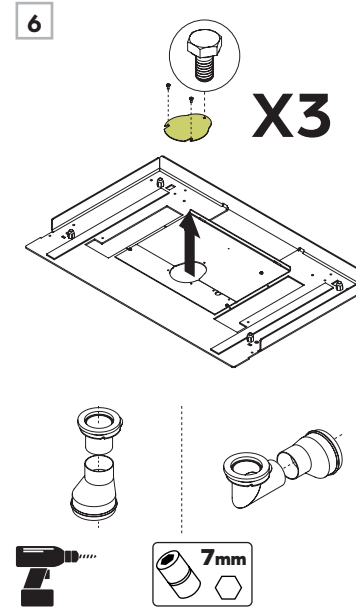
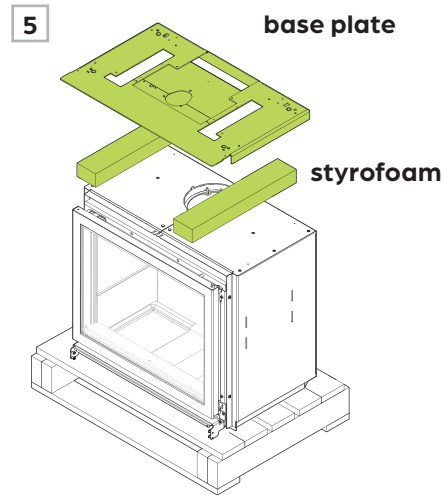


Step 5 Take out the base plate and use it for the next steps. Remove the styrofoam and recycle the entire packaging.

Prepare the base plate according to the connection to the combustion air intake.

Step 6 If using an outside air intake connector, only remove the cutout in the middle of the trap.

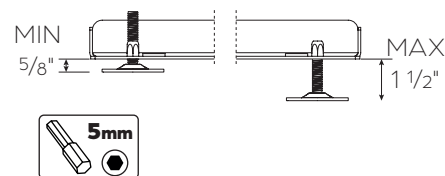
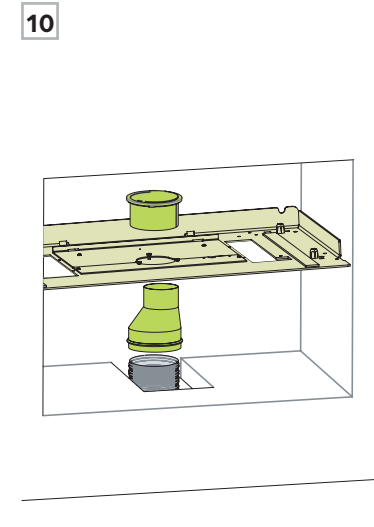
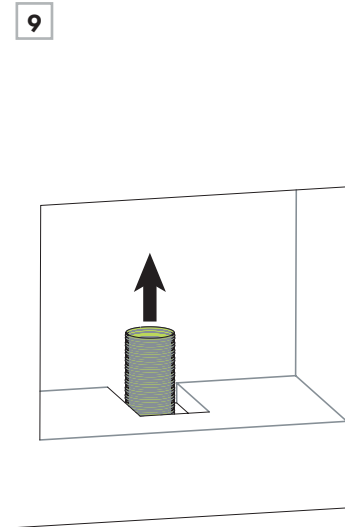
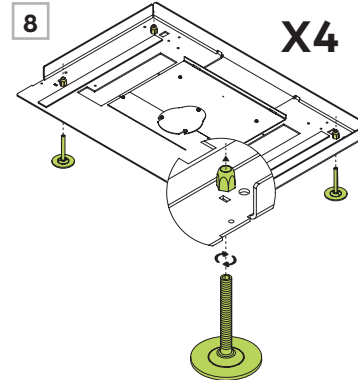
If the insert is installed without a connector, the base plate must stay as is.



Step 8 Screw the leveling feet **or** the headless screws at mid height under the base plate. The feet will make it possible to level the plate.

Step 9 If you have opted for the air intake option, install the flexible combustion air intake duct, connecting either from the back or from underneath.

Step 10 Connect through the base plate.



NOTE

The next steps are shown without the wall to make it easier to see. These steps must be followed after positioning the base plate at its final location.

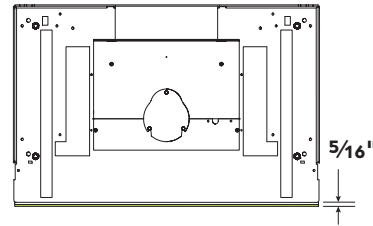
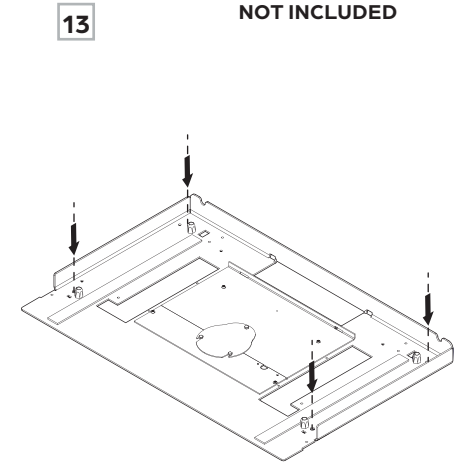
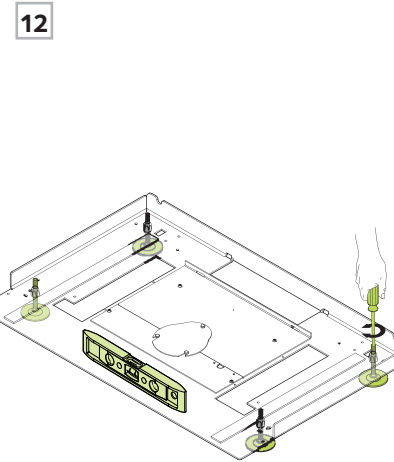
4.2 BASE PLATE AND CONNECTION



Step 11 Center the base plate in the hearth and position the depth according to the measurement in the illustration. **Refer to the installation manuals for the frames** to calculate the exact depth according to the chosen frame.

Step 12 Level the leveling feet, on the base plate, the adjustable stand or the H base.

Step 13 When the insert is in its final location, screw in the adjustable stand or the base plate with self-drilling screws (not included) to secure the insert in place.



! IMPORTANT

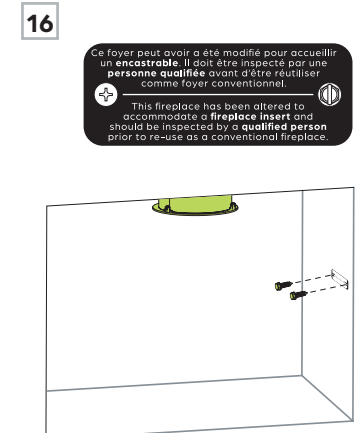
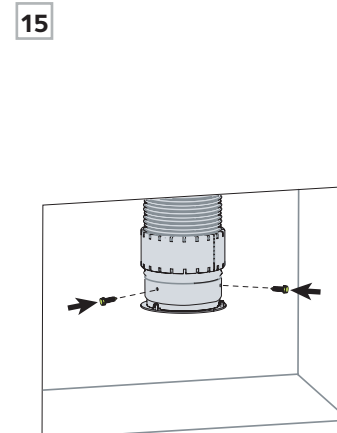
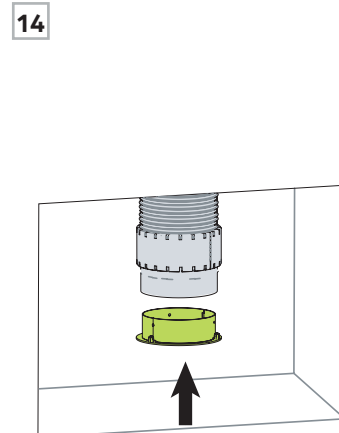
Before installing the smoke outlet pipe, check its compliance in the **CHIMNEY** section.

Step 14 Install the flexible or rigid chimney liner (not included) so that it comes out near the insert's location.

Step 15 At the end of the liner, screw in the connector with the screws provided with the chimney components.

Step 16 Retract the pipe to make it easier to insert the unit into the wall.

Screw in the plate (included in the complementary box) inside the masonry hearth with #10 or $\varnothing 3/16$ " screws.



Ce foyer peut avoir été modifié pour accueillir un encastrable. Il doit être inspecté par une personne qualifiée avant d'être réutilisé comme foyer conventionnel.

This fireplace has been altered to accommodate a fireplace insert and should be inspected by a qualified person prior to re-use as a conventional fireplace.

4.3 REMOVING THE DOOR



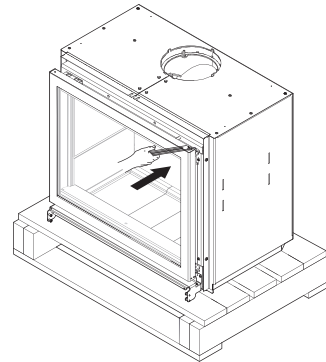
Follow these steps to remove the insert's door.

Step 17 Place the door handle around the lock cylinder above the door.

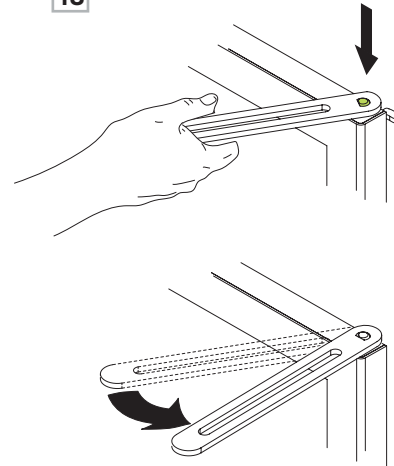
Step 18 Turn the door handle counter-clockwise to open the door.

Step 19 Open the door 90°.

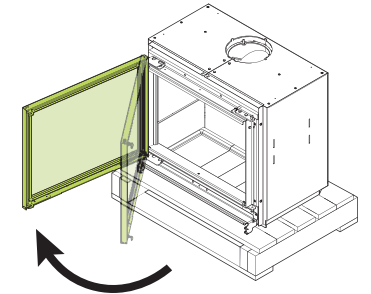
17



18



19

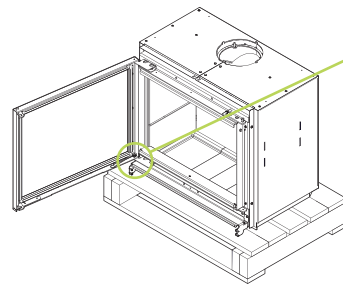


Step 20 Locate the spring at the bottom of the door, near the rotation axis.

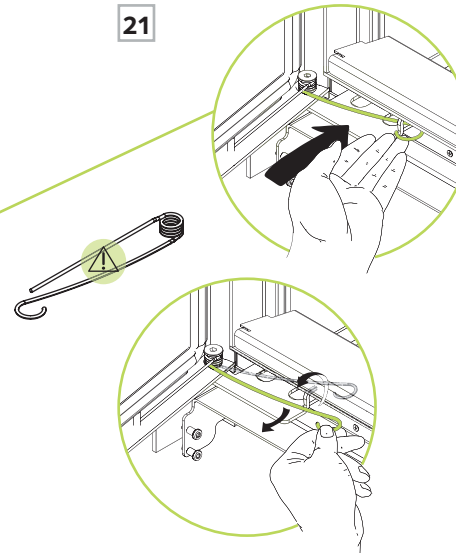
Step 21 Disengage the spring by pushing it down and pulling it forward.

Step 22 Slowly and gently lift the door to take it off its hinges.

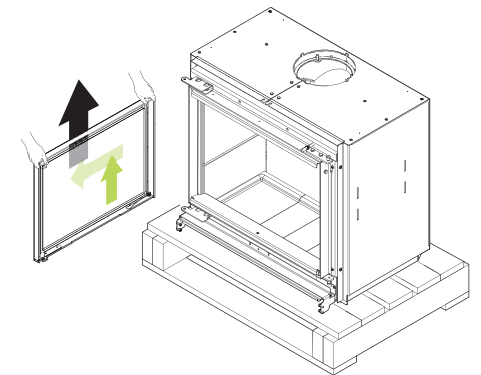
20



21



22



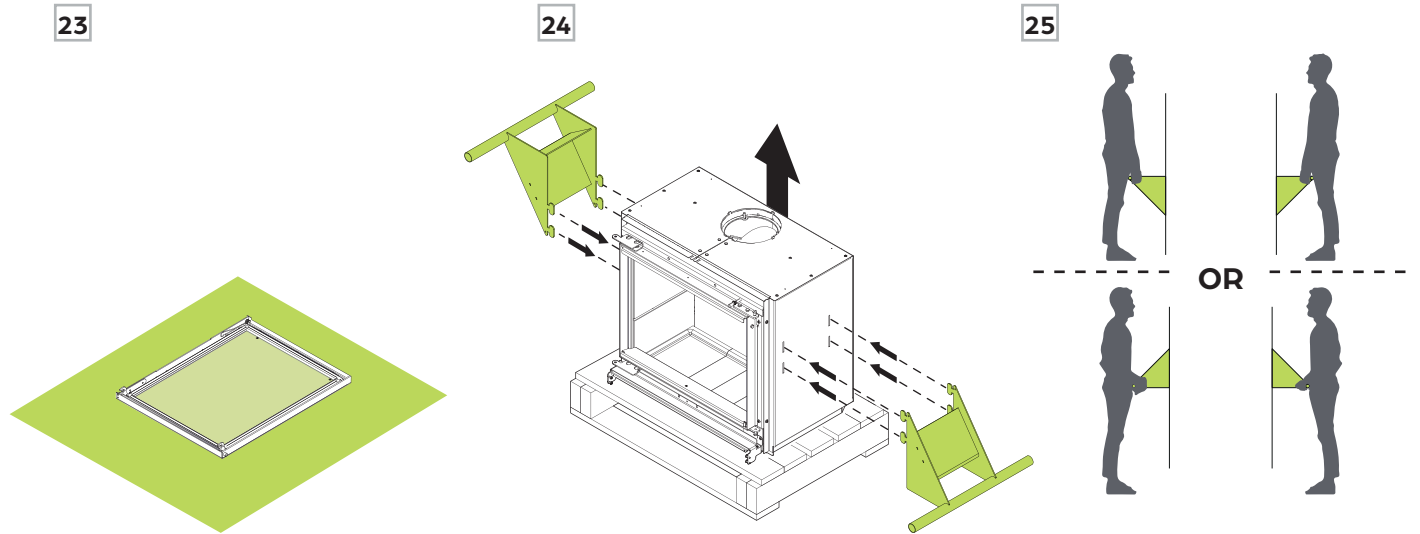
4.4 MOVING THE INSERT



Step 23 Set the door down somewhere where it will not get damaged. Take care not to damage the paint.

Step 24 Insert the Stûv handles in the slots provided for this purpose on the sides of the insert to take it off the pallet. The handles can be placed in either direction.

Step 25 Move the insert to its final location (two people).

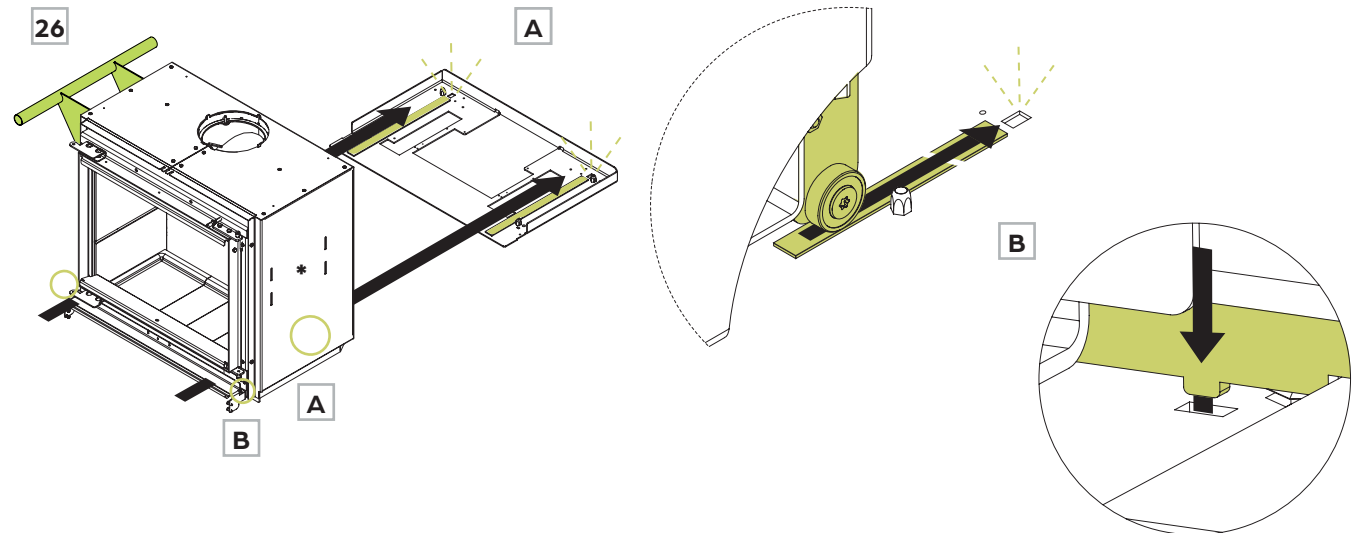


Step 26 Slide the unit onto the base plate previously installed at its final location.
*The carrying handle is hidden to show the details.

A The insert is equipped with two wheels in the back and a track to guide its placement.

B Two tabs, one on the right and one on the left, will stabilize the unit in the right place.

Validate **A** & **B** positionings before continuing.



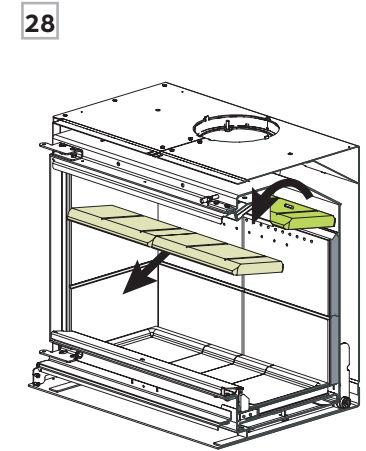
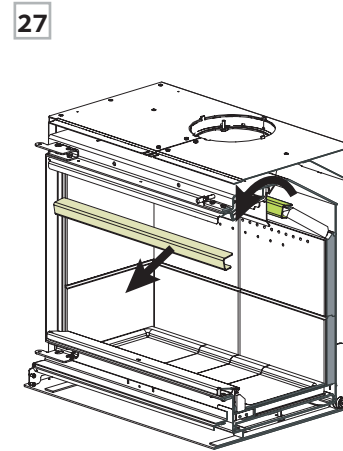
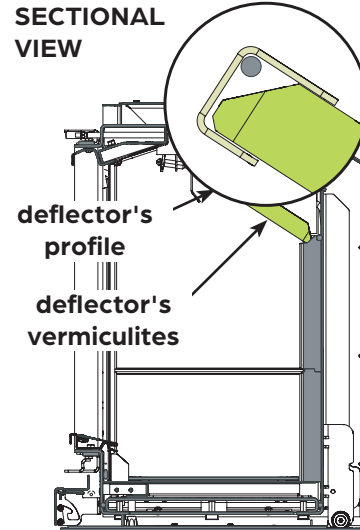
4.5 CONNECTING TO THE SMOKE OUTLET



To connect the insert chimney, the deflector's profile and vermiculites must be removed.

Step 27 Remove the deflector's profile by pivoting it slightly toward you.

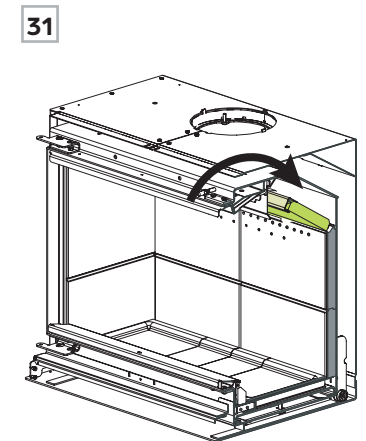
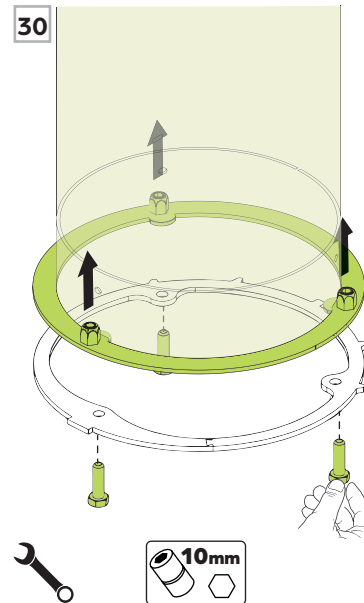
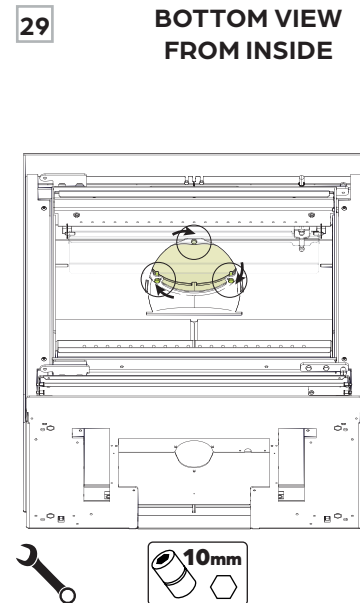
Step 28 Remove the vermiculites with a similar movement. Take care as they come apart easily.



Step 29 Pass behind the smoke damper and align the holes in the already installed flange with the holes in the smoke outlet.

Step 30 Engage the screws manually, then use a key to tighten the three bolts on the smoke outlet.

Step 31 Reinstall the deflector's vermiculites, then the profile. The profile's longest side must be placed over the vermiculites.





Step 30 Refer to the installation instructions provided with the frame to finish the wall and install and adjust the frame as needed.

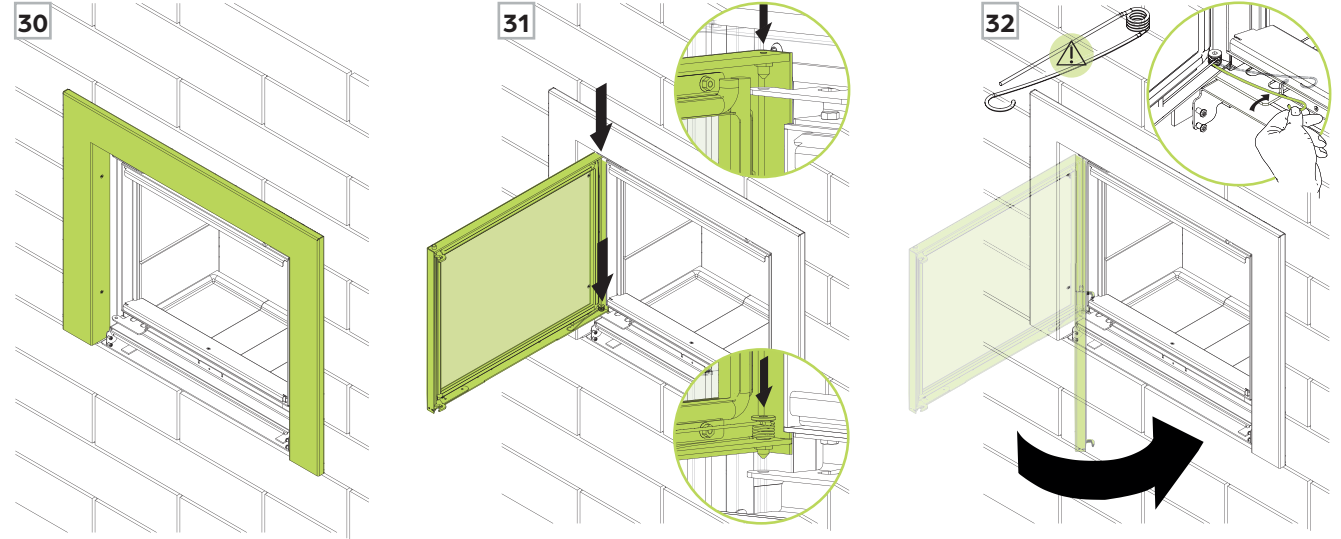


Step 31 Put the door back on by inserting the hinges into the holes.

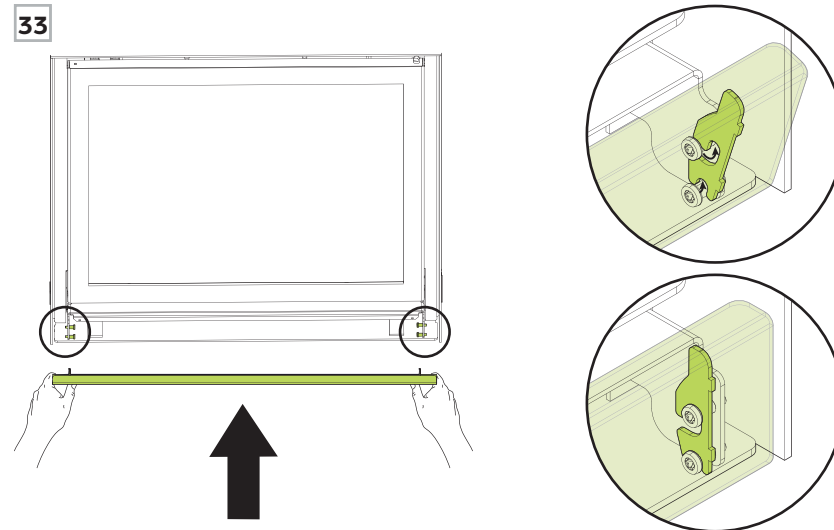
Step 32 Check that the door is level and that it closes well.

If so, re-engage the spring, then close and lock the door.

If not, follow the steps on the next page to adjust the door.



Step 33 Tilt the flap toward you slightly to be able to see clearly. Position the flap on the insert's screws. Push down, without forcing, to secure the flap.



4.6 ADJUSTING THE DOOR

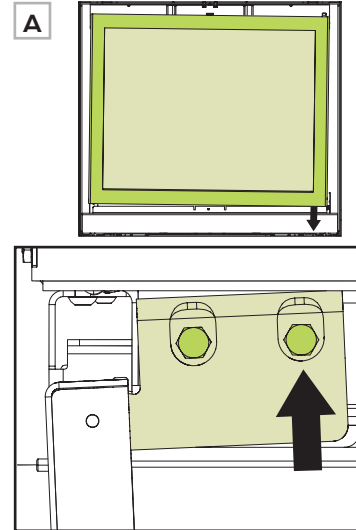
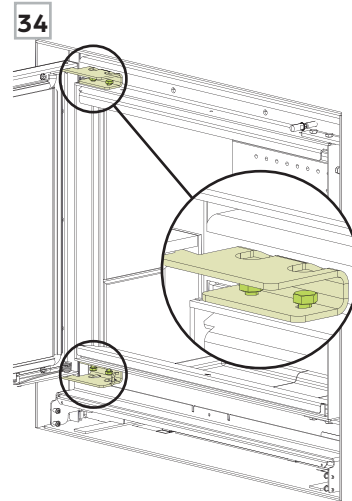


Step 34 To make the door level, **slightly** loosen the 4 bolts holding the door hinges, at the top and bottom.

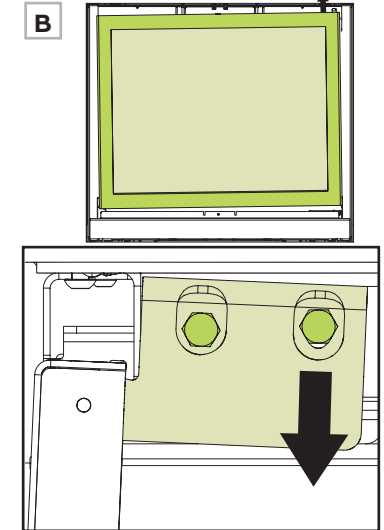
A If the side opposite the rotation axis is too low, push the top hinge inward. If necessary, the bottom hinge can be pushed outward.

B If the side opposite the rotation axis is too high, push the top hinge outward. If necessary, the bottom hinge can be pushed inward.

Gradually adjust the door according to the instructions above. It may take several tries to get it perfectly level.



Adjustment at the top

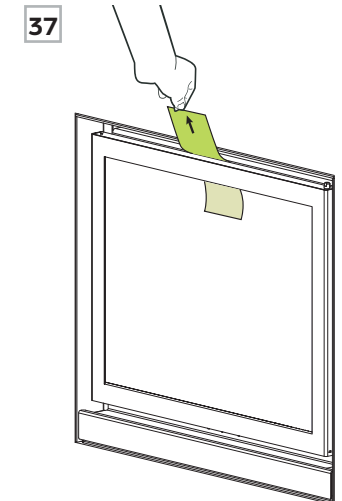
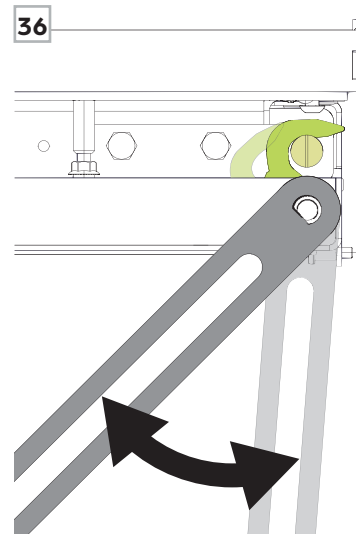
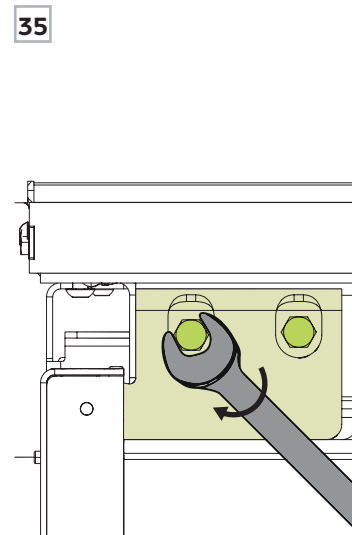


Adjustment at the top

Step 35 When the door is level, tighten the 4 bolts.

Step 36 The door must be loose enough to be easy to close, but tight enough to be airtight. Open and close it a few times to check that the door filler plate reinforcement is adjusted properly.

Step 37 Also check the door's airtightness, by placing a sheet of paper in the door and closing it. Try to pull the paper out all along the door frame. If the door is airtight, you will not be able to remove the paper. If the paper moves or the door's grip is not perfect, make the adjustments indicated on the next page.



4.6 ADJUSTING THE DOOR

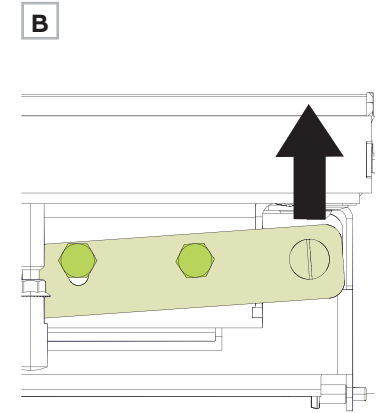
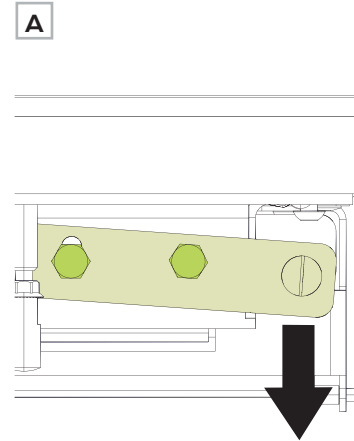
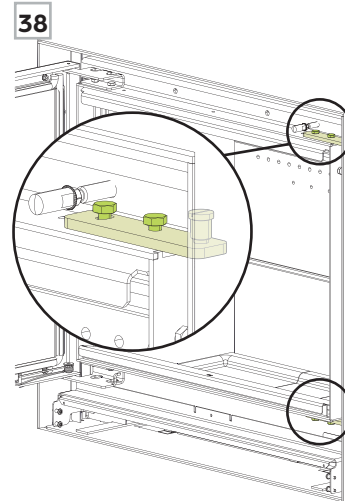


Step 38 To adjust the door's grip or airtightness, slightly loosen the 4 bolts holding the door filler plate reinforcements at the top and bottom.

A If the grip is too tight, the door filler plate reinforcement cylinder has to be pushed outward.

B If the grip is too loose, the cylinder has to be pushed inward.

Gradually adjust the door according to the above instructions and then tighten the bolts.

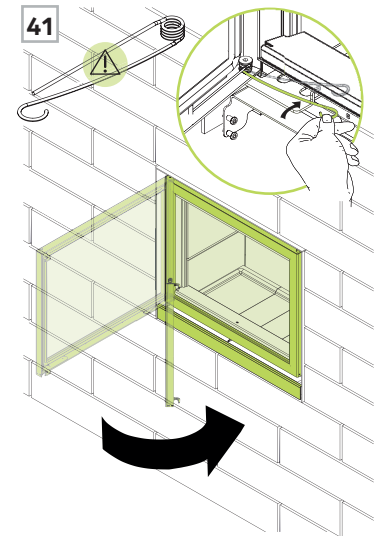
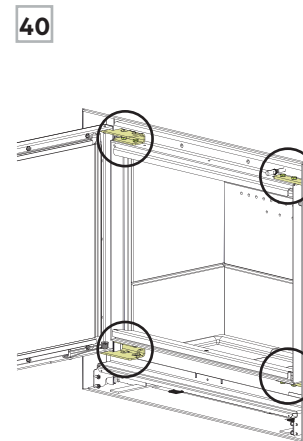
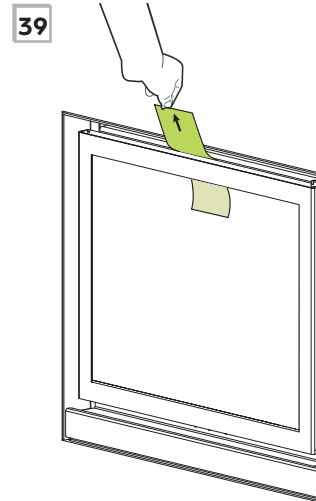


Step 39 Recheck the airtightness by placing a sheet of paper in the door and closing it. Try to pull the paper out all along the door frame.

Step 40 Redo the adjustment steps until the door is airtight, level and has a pleasant grip.

If it seems impossible to adjust the door, contact Stuv America's customer service department at 1-866-487-7888.

Step 41 Re-engage the spring, then close and lock the door. Position the flap if you have not already done so.



5

CHIMNEY

5.1	DIMENSIONS AND CERTIFICATION	32
5.2	TYPICAL INSTALLATION	33



5.1 DIMENSIONS AND CERTIFICATION



CHIMNEY DIAMETER

The insert must be installed with a flexible or rigid liner 6" or 7" in diameter, from the insert to above the chimney. The liner must comply with **ULC-S635** (Standard for Lining Systems for Existing Masonry or Factory-Built Chimneys and Vents), or **CAN/ULC-S640** (Standard for Lining Systems for New Masonry Chimneys) or **UL-1777**, according to the installation standards in your location.

If the chimney is shorter than 18', use the 7" chimney adapter (option: AW1200500800) and a 7" chimney pipe.



CHIMNEY LENGTH

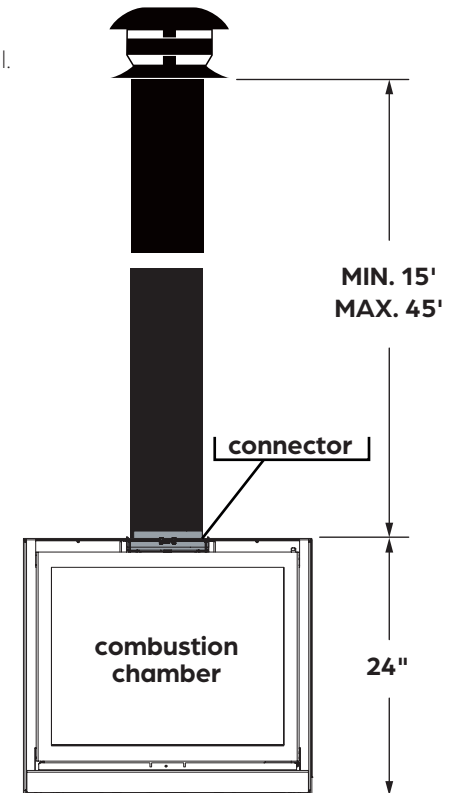
It is recommended that the height of the chimney be between **minimum 15'** and **maximum 45'**, measured from the top of the unit to the bottom of the rain cap. This height impact the draft and the efficiency of the unit. If this height is impossible, contact Stûv America technical service.

Before connecting, make sure that the insert is in its final location and is level (see page 24 if needed).

Calculate the number of chimney sections needed, starting from the smoke outlet connector.

Calculate how long the chimney needs to be, based on the information on this page, and gather all of the components needed.

Always refer to the chimney instruction manual.



CAUTION

- Carefully read the instruction manual provided with your chimney before installing.
- Do not use makeshift means during installation. This could pose a danger, compromise safety and result in a fire.
- Do not connect the appliance to a chimney that is already connected and used by another appliance. A chimney used as an outlet for a insert must not be used for more than one appliance.
- Do not cut trusses, rafters or ceiling joints without consulting a building official to ensure that the building's structural integrity has not been compromised.
- If this unit is not installed properly, a fire may result. To reduce the risk of fire, follow the installation instructions.
- Contact the local authorities to obtain a building permit and take note of all applicable regulatory requirements.

IMPORTANT

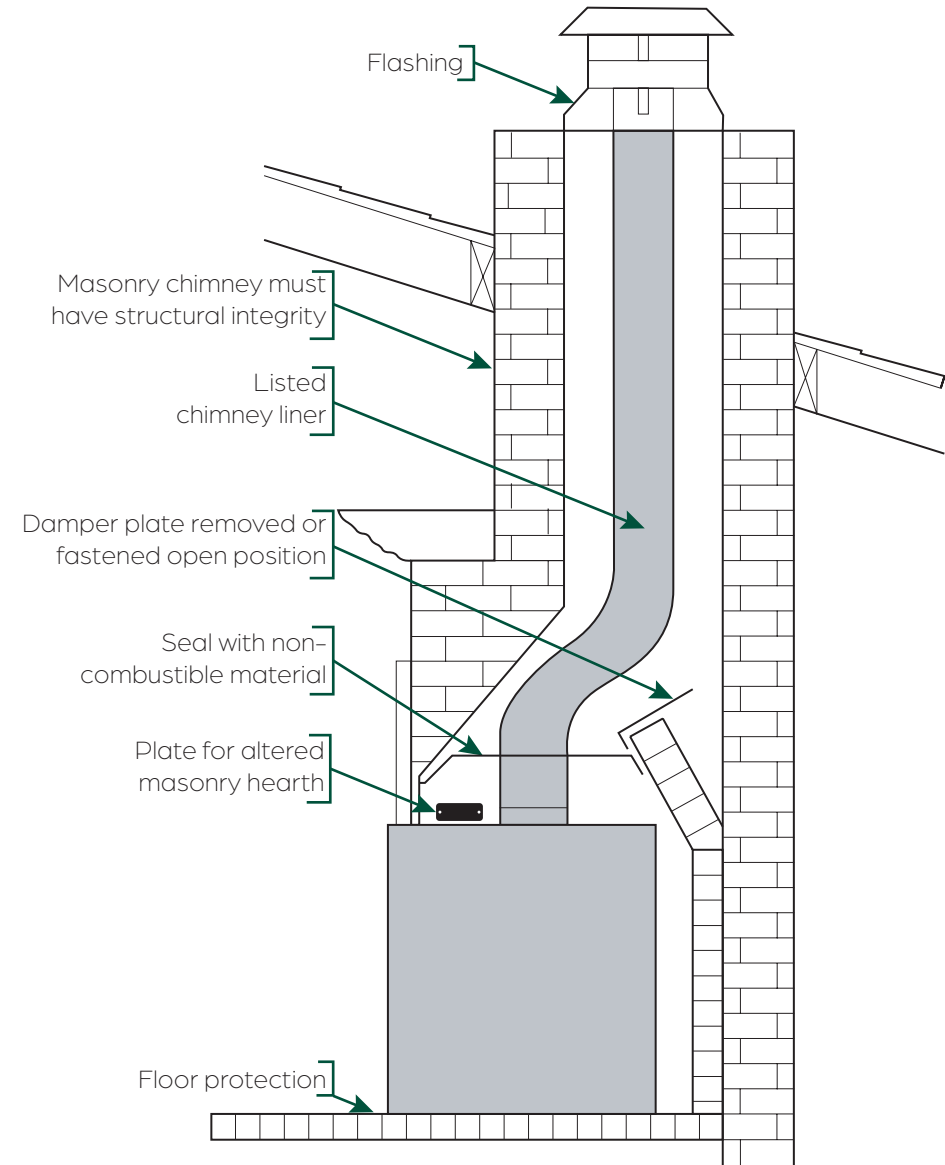
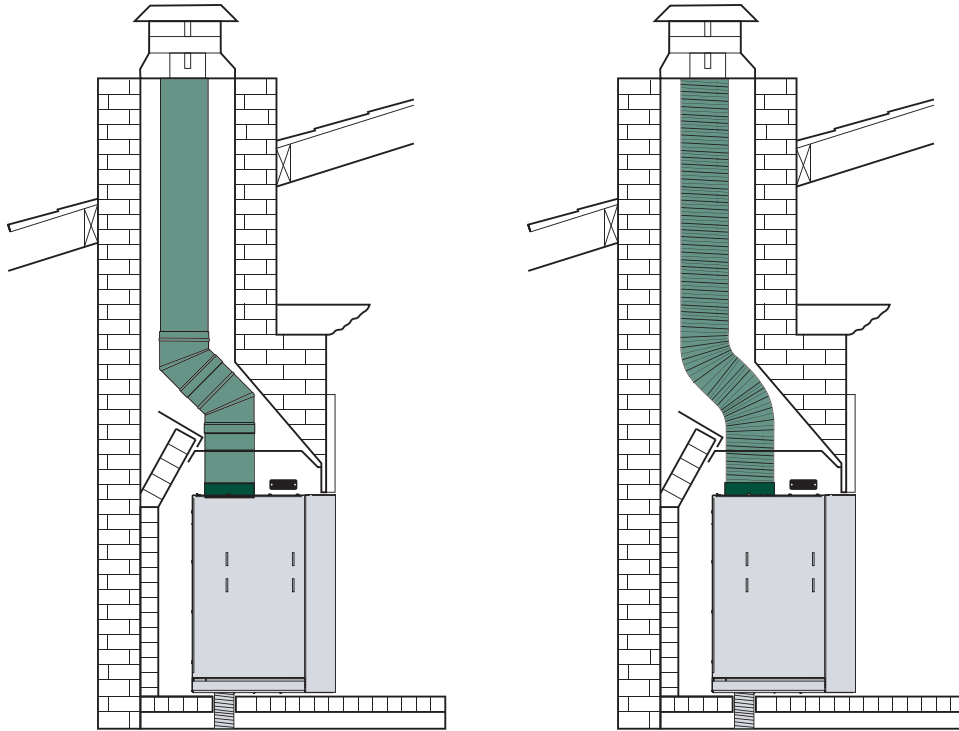
It is preferable, but not mandatory, to install a 3' straight chimney section between the unit and an offset. In that case, **a straight vertical section** must be installed after the angled section.

5.2 TYPICAL INSTALLATION



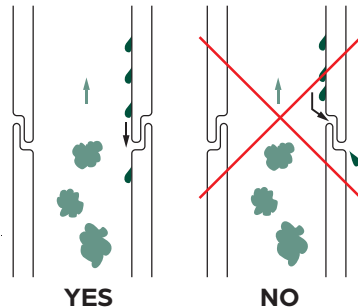
When ordering the unit, a decision must be made regarding the smoke outlet connector to the chimney's configuration. In all cases, the typical installation must be respected.

Follow the instructions below to install the chimney. Always refer to the chimney instruction manual.



WATERTIGHTNESS

The different elements that make up the connection between the insert and the smoke outlet pipe, as well as those that make up the chimney pipe itself, must be placed in such a way that they are watertight (condensate) rather than airtight (smoke).

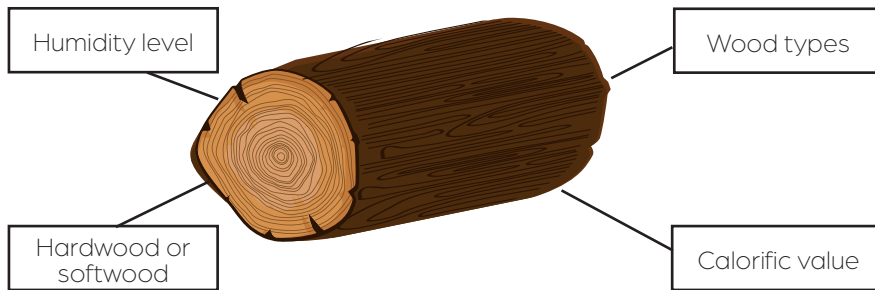




6

USE

6.1	WOOD SELECTION	35
6.4	STARTING THE FIRE	36
6.3	RELOADING THE FIRE.....	38
6.4	ASH REMOVAL	38



HUMIDITY LEVEL

It is essential to use **dry wood** that has a moisture content of **less than 18%**. This will ensure **more efficient** and **clean combustion**.

Using **wet or semi-dry wood** with a moisture content **higher than 18%** will result in mediocre and less efficient combustion. The fire will be smaller and difficult to start. It will release a great deal of **black smoke** and **pollution** into the air and also sully your glass and chimney pipe.

To choose dry wood, use a moisture meter or check if...

- The wood is lightweight and slightly split
- You hear a snap when banging one log against the other
- The bark comes off easily
- There are cracks from the centre to the edge

HARDWOOD OR SOFTWOOD

The harder a wood is, the more heat it will produce and the slower it will burn (at equivalent moisture content).

Softwood can be used as kindling over hardwood. It burns more quickly (at equivalent moisture content) despite its lower calorific value.

- **Hardwood:** oak, beech, elm, ash, acacia, hornbeam, maple
- **Fruit tree wood:** walnut, cherry, pear, apple, olive
- **Softwood:** poplar, birch, linden, locust, chestnut
- **Resinous wood:** maritime pine, spruce, Scots pine, fir, larch

WOOD TYPES

Ash and beech are recommended as firewood as they dry quickly and are easy to find. They must be stored under a shelter immediately after being cut and split, otherwise they rot very quickly and lose their calorific value. They are easy to light and produce very bright, lively flames.

Maple has a good calorific value. It produces fires and embers that last a long time.

Oak is an excellent fuel, but unlike other wood species, it has to remain uncovered for two years to allow the rain to remove the tannins it contains. Then it has to be stored under shelter for another year or two before it can be burned. Small oak branches have a high sapwood content, which burns too quickly. Oak burns slowly, produces a calm fire and beautiful embers. It is ideal for barbecuing and for moderate fires.

Hornbeam, cherry and fruit trees are excellent fuels, but are rare. These are hardwoods. They produce beautiful, harmonious and calm flames, and beautiful embers. Ideal for a barbecue or a calm fire.

Birch, linden, chestnut, poplar and black locust are broad-leaved trees with soft wood. They produce beautiful, harmonious, but bright flames and few embers. Because they burn quickly, they can be used to start (or restart) the fire. Caution: Poplar produces abundant and volatile ash while black locust produces significant sparks.

Resinous woods (not recommended) generate a lot of heat, but they burn quickly. They throw sparks and the resins they contain cause build-up in the chimney.

CALORIFIC VALUE

Each type of wood has a different calorific value and all burn in different ways.

We strongly encourage the use of hardwoods such as hornbeam, maple, oak, ash, elm and beech. They produce beautiful flames and plenty of embers that glow for a long time.



CAUTION – NOT TO BE USED

Burn only firewood. Do not burn:

- Garbage
- Lawn clippings, yard waste or unseasoned wood
- Materials containing plastic, petroleum-based products, gasoline, liquid fuel or rubber, including tires
- Waste petroleum products, paints or paint thinners, or asphalt products
- Industrial solvents
- Flammable liquids such as naphtha and motor oil
- Painted wood, varnished wood or chemically treated wood
- Materials containing asbestos
- Construction or demolition debris
- Salt water driftwood or other previously salt-water saturated materials
- Railroad ties or pressure-treated wood
- Manure or animal remains
- Paper products, cardboard, plywood, or particleboard. The prohibition against burning these materials does not prohibit the use of fire starters made from paper, cardboard, saw dust, and similar substances for the purpose of starting a fire in this unit
- Any substance that emits dense fumes and strong odours

The heat produced by these materials is too great and can damage the appliance, in addition to causing soot to form on the glass and on the inside of the chimney pipe. These materials produce toxic and polluting fumes, such as carbon monoxide, which can be hazardous to health. Burning these materials may result in release of toxic fumes or render the heater ineffective and cause smoke.

Composite logs (ecological): Composite/ecological logs are to be avoided. They sometimes emit residues that sully the mechanisms and cause the appliance to age poorly.

Stûv appliances are designed for domestic use and must never be used to incinerate garbage of any kind.

This wood heater has not been tested with decorative sets (logs, pebbles) for unvented gas inserts. To reduce the risk of fire and/or injury, it is prohibited to install a decorative set in the combustion chamber of the appliance.



CAUTION

Read the safety instructions on page 7 before using the insert.

Upon first use, some smoke or odours may be produced. **Ventilate the room well.**



In case of a chimney fire

1. Call the fire department.
2. Put out the fire with a type A or ABC extinguisher (powder, foam or water and additive). Avoid using a bucket of water or any other hazardous method to put it out.
3. Air out the room in which the unit is located.
4. After a chimney fire, have the chimney cleaned and inspected by a professional.
5. Make any repairs necessary before using the unit again.

If the outside temperature is higher than the inside temperature, load more paper and more kindling to properly heat the chimney pipe and thus counter the temperature imbalance. First ignite balled-up pieces of paper and about 1 to 1 1/2 lb. of kindling $\pm 3/4$ sq. in.-thick.

The maximum load to avoid overfiring is **2x the weight of the hourly consumption**. Refer to the table on page 5.



IMPORTANT

Store the wood in a weatherproof location to keep it dry. Do not store it in the risk area, insert loading area, ash removal area or inside the mandatory clearances indicated in the **DIMENSIONS** section.



CAUTION

The insert must always be operated with the door closed. Otherwise, smoke and flames could come out of the opening and cause significant damage.

Only open the door to start the fire or to add wood.

Step 1 Using the door handle provided with the unit, open the door by turning the door handle.

Allowing the door to slam could break the glass. Do not start a fire if the glass is broken.

Step 2 Place the wood logs in the combustion chamber using the top-down lighting technique as shown for better combustion. Do not place the logs too close to the glass.

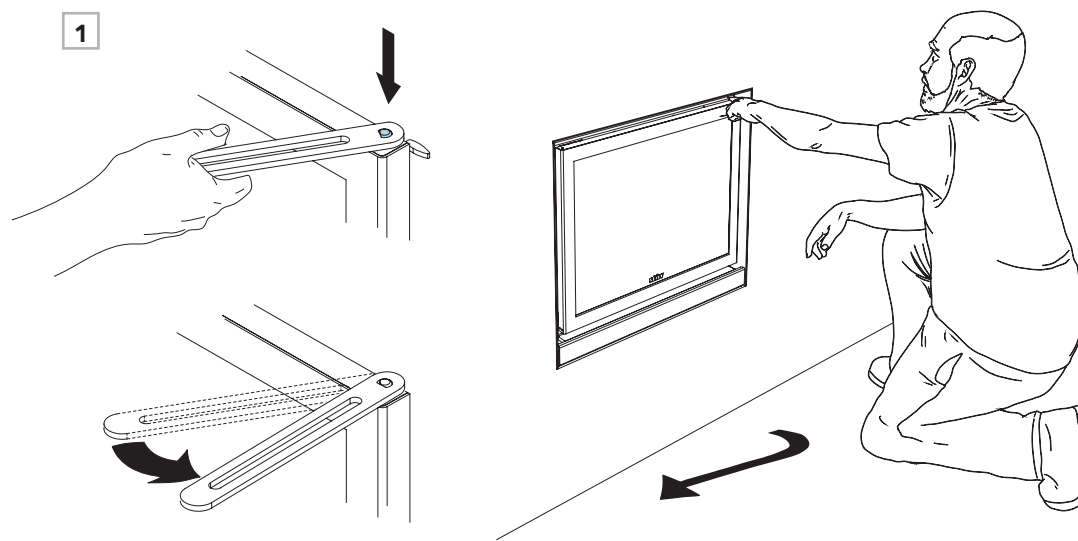
Step 3 Light the fire.



CAUTION

It is recommended to use fire starters made from sawdust or wood fiber, without chemical and toxic additives. Paraffin or other waxy substances can block the air supply system.

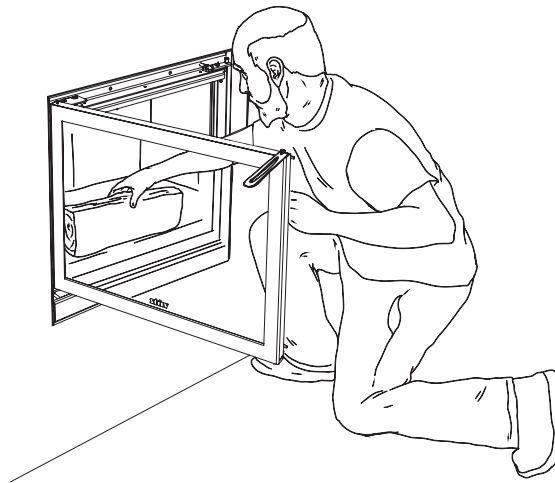
Step 4 Leave the door ajar for minimum 20 minutes. This helps create a better draft when starting a fire and prevents smoke condensation and soot deposits. Close the door once the fire is burning well.



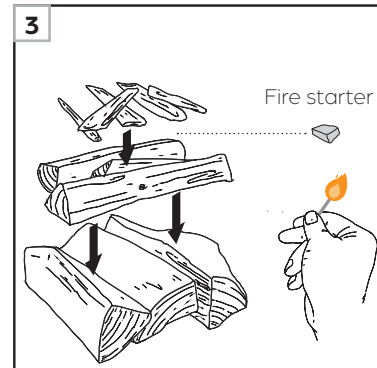
NOTE

Burning one log at a time increase the amount of embers and coal. While burning two or more logs, the combustion is optimized and this will reduce unburned residues.

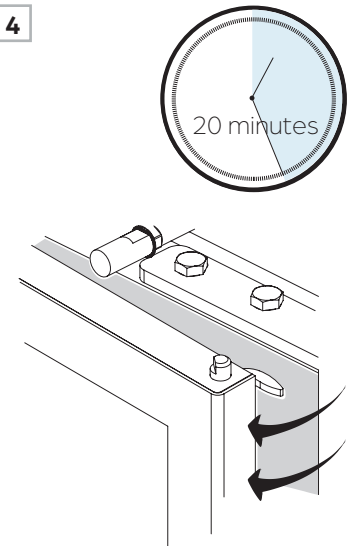
2



3



4



6.3 RELOADING THE FIRE

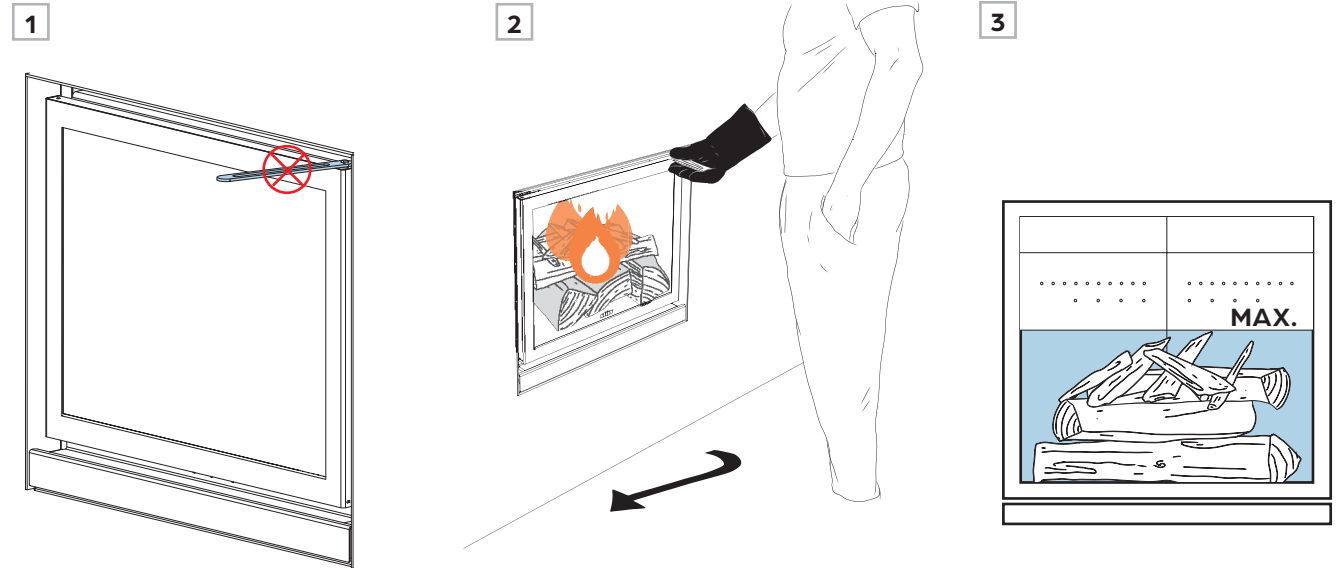


Step 1 Never leave the door handle on top of the cube shell or grip cylinder. It will get very hot and could damage the paint.

Step 2 Add wood using the Stûv glove provided with the unit.

Do not stir the wood or move it around while it is burning. Use a poker if necessary.

Step 3 Only fill the combustion chamber halfway with solid fuel.

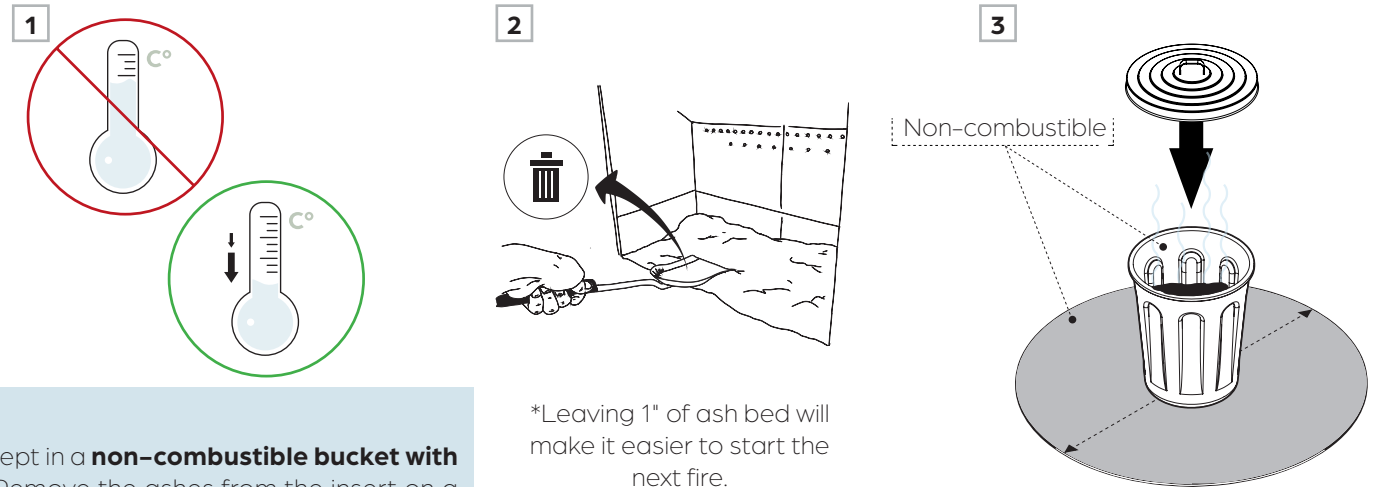


6.4 ASH REMOVAL

Step 1 Wait until the ashes are cold to be able to safely open the door.

Step 2 Use an ash shovel to remove the ashes. Place them in a metal bucket.

Step 3 Place the bucket filled with ashes on a non-combustible surface. Be sure to keep it away from any combustible materials.



NOTE

Before disposing of the ashes, they should be kept in a **non-combustible bucket with a tight lid** until they have cooled completely. Remove the ashes from the insert on a regular basis. Burning ashes can damage the glass's lower gasket. This deterioration is not covered by the warranty.



7

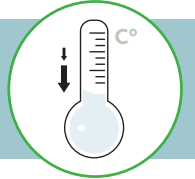
MAINTENANCE

- 7.1 REGULAR MAINTENANCE 40
- 7.2 REPLACING COMPONENTS..... 41
- 7.3 CREOSOTE AND CHIMNEY-SWEEPING 44



CAUTION

Do not conduct maintenance while the unit is hot. Wait until it has cooled completely.



Every year, perform annual maintenance on the unit:

- Vacuum the ashes from the joint section
- Check the condition of the door's gasket
- Check the condition of the glass's gasket

Follow the steps on the following pages to conduct these checks.

Clean the glass when the unit is cool. Never use abrasive cleaners.

- Use the door handle to open the door 90°.
- If necessary, protect the painted parts of the unit and the floor finish.
- Clean with a non-abrasive glass cleaner or clear water. You can also use ashes mixed with water to remove accumulated soot.

During the heating season, have your chimney regularly inspected by a professional. It is recommended that you have your chimney swept twice per heating season to prevent creosote build-up.

Remove excess ash after each use. Do not wait for the ashes to overflow from the insert. Excess ash can obstruct the supply of fresh air during combustion and can damage the gaskets.

Ash removal is explained in the USE section of this manual.

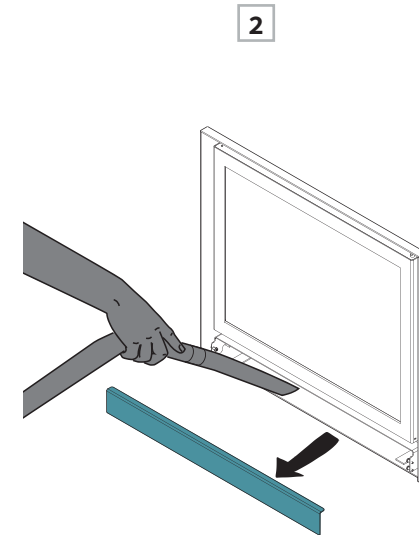
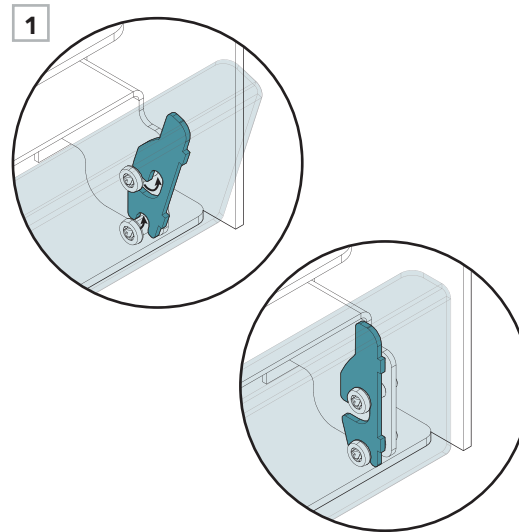
Stûv recommends using genuine replacement parts. Using a substitute may affect the unit's operation and will void the warranty. **Contact a Stûv dealer** in the event of deterioration of the parts.

For all other parts that need to be replaced, but whose disassembly steps are not included in these instructions, contact an authorized Stûv America dealer.

To vacuum the ashes in the joint section:

Step 1 To remove the flap, slide it upward, then turn it slightly toward you.

Step 2 Vacuum inside and then put the flap back.



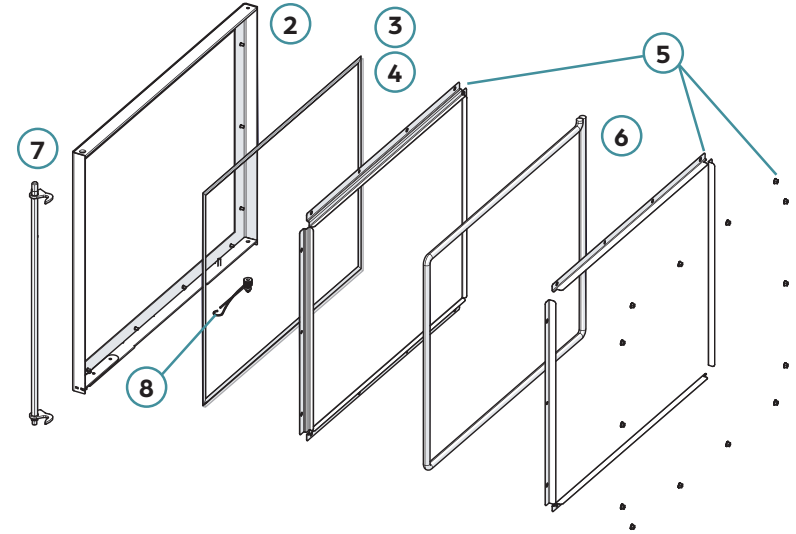
7.2 REPLACING COMPONENTS



Step 1 The next steps explain how to disassemble the parts that make up the door.

1

#	DESCRIPTION	16-58	16-68	16-78
1	complete door	PW1400804000	PW1400804100	PW1400804200
2	door frame	PW1499721000	PW1499723400	PW1499725800
3	glass and seal kit	PW1400601400	PW1400601500	PW1400601600
4	glass seal	PW1400503300	PW1400503400	PW1400503500
5	gasket clamps and nuts	PW1400402900	PW1400403000	PW1400403100
6	door seal	PW1400504900	PW1400505000	PW1400505100
7	door closing axis	PW1499717000		
8	spring	PW5511100600		



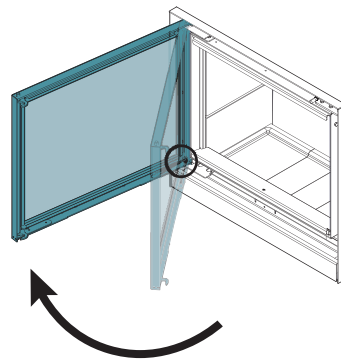
Follow the next steps for all maintenance performed on the unit.

Step 2 Use the handle to open the door 90°.

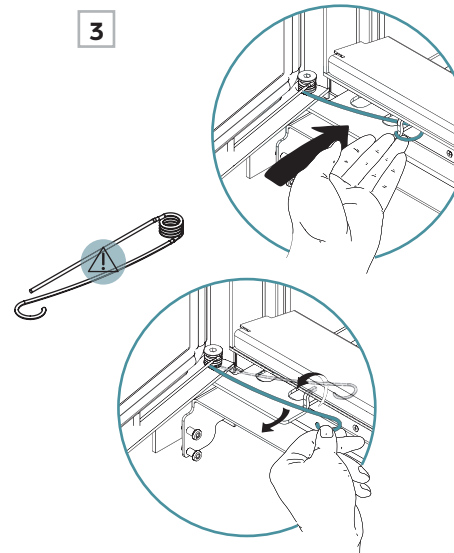
Step 3 Locate the spring at the bottom of the door, near the rotation axis. Disengage the spring by pushing it down and pulling forward.

Step 4 Remove the door and put it in a safe place where it will not get damaged.

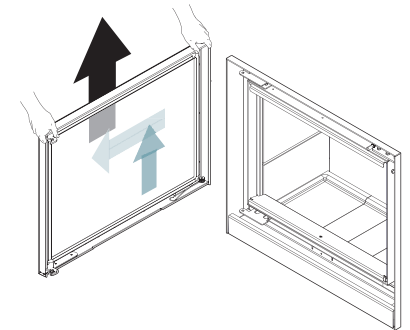
2



3



4



7.2 REPLACING COMPONENTS

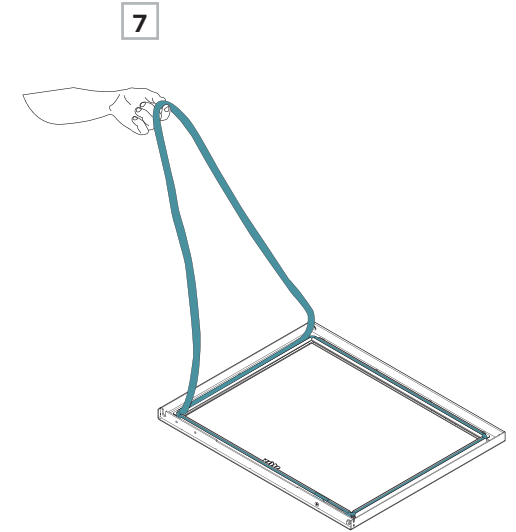
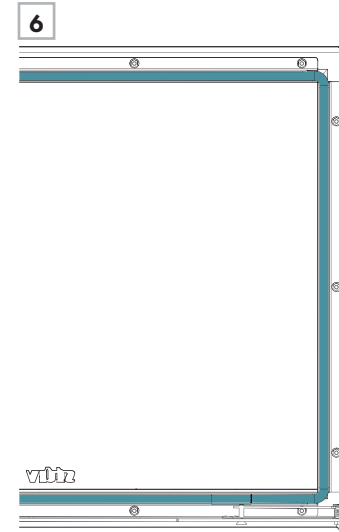
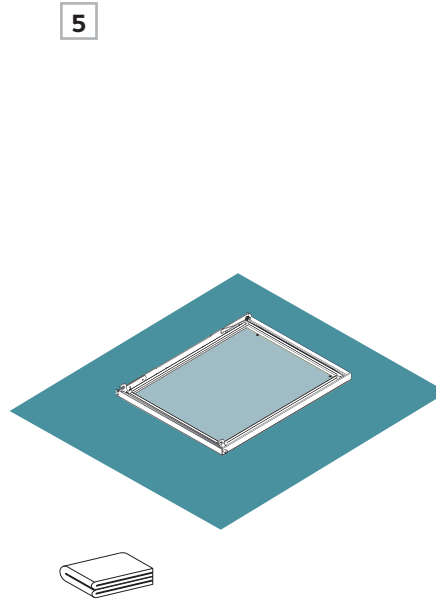


Step 5 Place the door on a protective fabric to protect the paint and to be able to continue disassembling it more comfortably.

For all maintenance performed on the door's components, follow the next steps until you reach the component to service or change.

Step 6 Locate the black door seal in the gasket clamps.

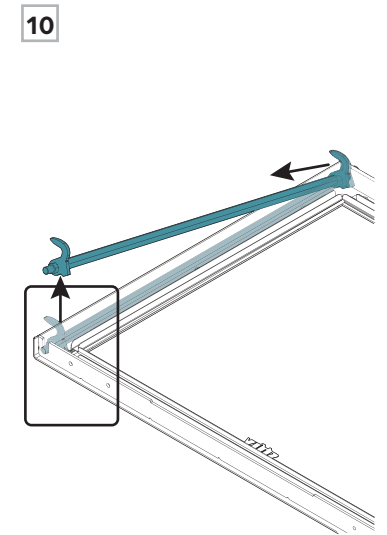
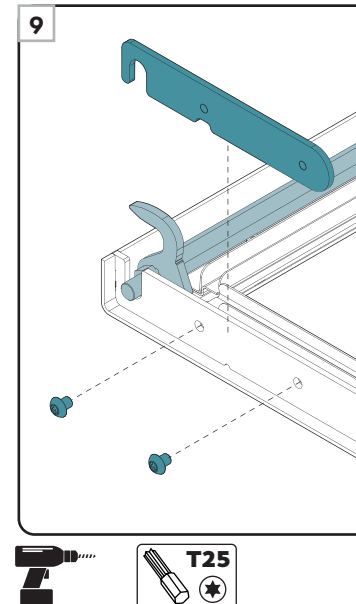
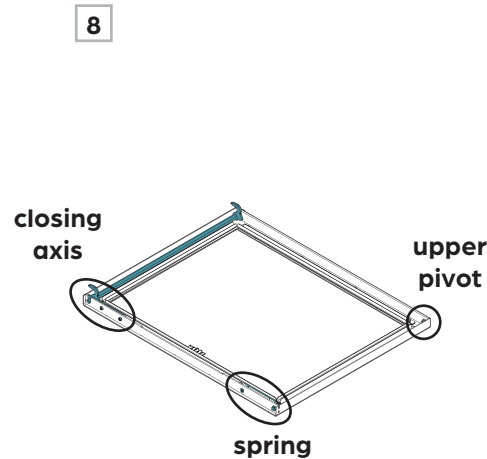
Step 7 Gently pull on the seal to remove.



Step 8 Several of the door parts can be modified. Here are the three work areas.

Step 9 The first part that can be removed is the closing axis. This pin along the frame can be unlocked by removing two screws.

Step 10 Remove the closing axis by lifting the bottom part and sliding it upward, out of the door frame.



7.2 REPLACING COMPONENTS



Step 11 Only remove the upper pivot **if it is damaged**. If needed, use a 10 mm hex socket to unscrew the door.

Step 12 The spring is supported in two places. The straight pin is behind a screw (use a 3 mm Allen key) while the spring's cylinder is wrapped around a screw (5 mm) and a pivot (10 mm).

Step 13 Remove these three pieces of hardware to change the spring.

Step 14 Unscrew the nuts to remove the gasket clamps and glass retaining clips.

Step 15 The glass is the last component to disassemble. Check the seals and change them or the pane if needed.

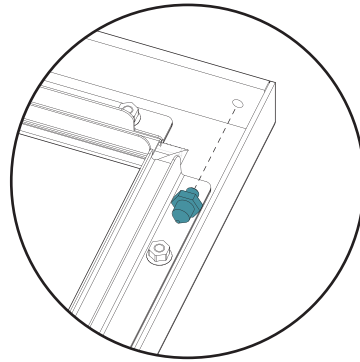
Replace glass only with Stûv's ceramic glass 4 mm thick, able to withstand high temperatures.

MODEL	GLASS
16-58	439 mm x 466 mm
16-68	439 mm x 566 mm
16-78	439 mm x 666 mm

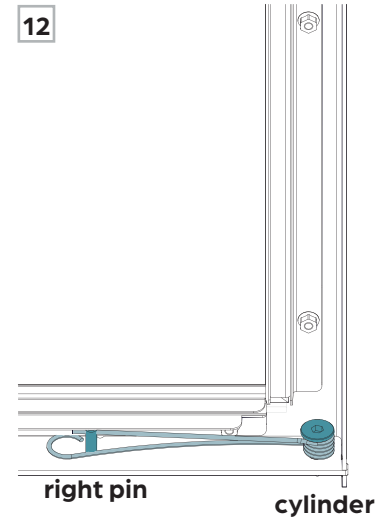
Step 16 Follow the steps in reverse to re-assemble the door and reattach it to the appliance.

- Replace the glass and gasket.
- Screw the seal clamps back on with the nuts.
- Re-place the closing axis and screw it back on.
- Reinsert the door gasket.
- Put the door back on its hinges.
- Screw the spring on and re-engage it.
- Close and lock the door.

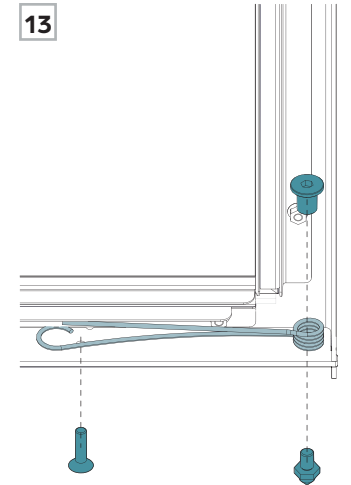
11



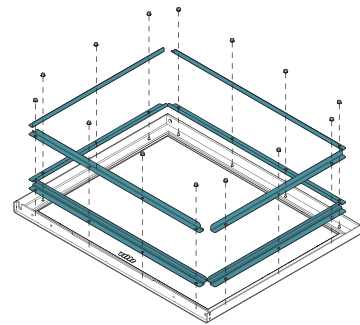
12



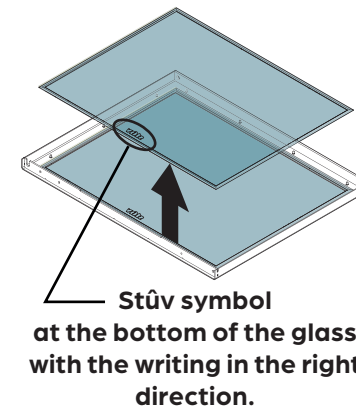
13



14

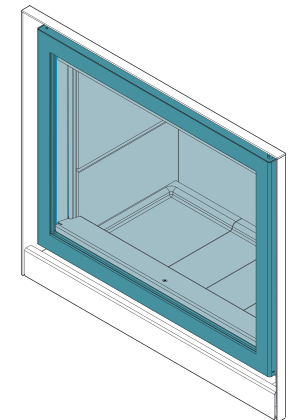


15



Stûv symbol at the bottom of the glass with the writing in the right direction.

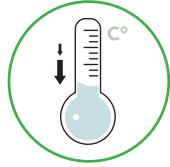
16





Chimney-sweeping steps

Wait until the unit has cooled completely before performing maintenance.



If the sweeping is being done **from the roof**:

- Use the door handle to close and lock the door.
- Sweep according to your country's regulations.

If the sweeping is being done from **inside the house**:

- Open the door fully or even remove it if needed.
- Remove the top vermiculites supported by the baffles (follow the steps at the bottom of the page).

Creosote is a thick, black residue that forms due to incomplete combustion of wood. It can be brittle or smooth (vitrified). During slow combustion, wood releases tar droplets that condense on the cold chimney lining. The shape of the residue varies with time and the internal temperature of the lining on which the creosote vapours condense.

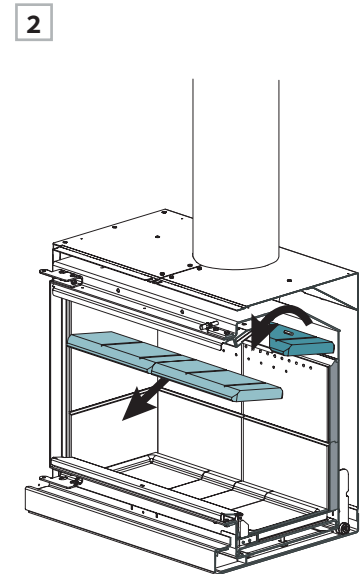
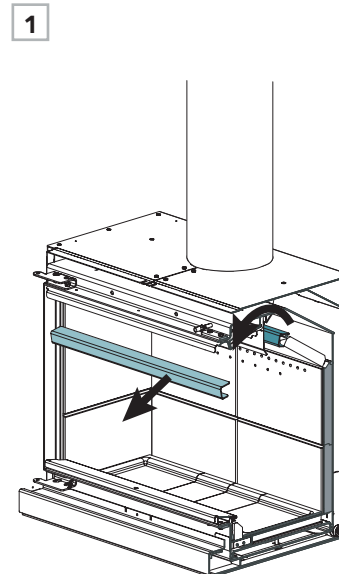
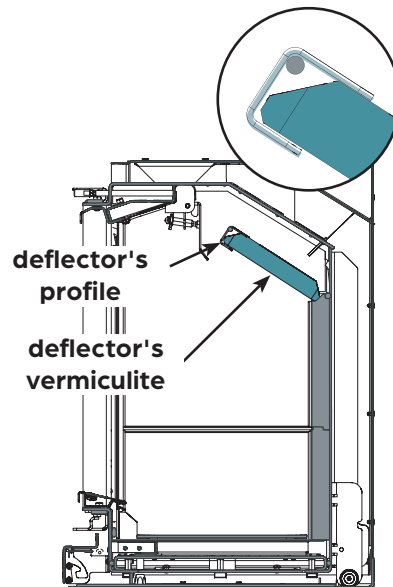
This build-up of creosote can be very hazardous. When ignited, it produces an extremely hot fire in the chimney. Have your chimney professionally **inspected twice during the heating season** to assess whether or not a creosote build-up has occurred. If so, remove any built-up residue to **reduce the risk of a chimney fire**.

It is recommended that the unit's main user establish a chimney maintenance routine. Check for creosote build-up on a daily basis to get a good idea of how often the chimney needs to be swept for safety. The hotter a fire burns, the less creosote will build up. Weekly sweeping may be necessary in milder weather, while monthly sweeping can be sufficient during the colder months. **Contact your local or provincial fire department for information on how to put out a chimney fire.**

To sweep from inside the unit, the deflector's profile and vermiculites must be removed.

Step 1 Remove the deflector's profile by pivoting it slightly toward you. **The longer side of the profile must be over the vermiculites.**

Step 2 Remove the vermiculites with a similar movement. Take care as they come apart easily.



8

WARRANTY

8.1	WARRANTY DETAILS	46
8.2	WARRANTY FORM	47



8.1 WARRANTY DETAILS



WARRANTY COVERAGE

Stûv appliances are guaranteed against:

- manufacturing defects
- paint defects on the visible parts of the unit
- glass breakage, but only if it occurs during the first firing
- shipping-related damage if we are notified within 48 hours of delivery and the damage is noted on the carrier's bill of lading when the unit is received (website)

This warranty does not cover damage to the appliance or malfunctions due to:

- installation that does not comply with the applicable regulations or the installation instructions
- abnormal use that does not comply with the directions for use
- lack of maintenance
- an external cause, such as a flood, lightning strike, fire, etc.

The warranty is limited to replacing the parts deemed defective and does not include labour or damages.

WARRANTY TERMS

This document must be returned to us, duly completed, within one month of the date of the dealer's invoice to the buyer.

Duration of the warranty:

- 5 years on the body of the appliance
- 1 year on refractory materials, gaskets, door mechanism, hinges and latches.

The warranty period begins on the date of the dealer's invoice to the buyer. The replacement of parts under warranty does not extend the duration of the initial warranty.

When an item is defective, it is important to quickly notify an authorized Stûv dealer. They will contact Stûv America to fill out the warranty form. They will need:

- the unit's serial number
- the date the unit was purchased
- an explanation of the defective item
- photos of the defective item

With this information, Stûv America will be able to validate whether the part is covered by the warranty and judge the relevance of changing it. The dealer will also be in charge of installing the new part.

CERTIFICATE OF WARRANTY

This Stûv appliance has been designed to offer you maximum pleasure, comfort and safety. It has been manufactured with the utmost care using quality materials and components to provide years of trouble-free operation.

Should you notice a defect in spite of this care, we commit to rectifying the situation. However, as a user, you also have an important role to play in getting the satisfaction you expect from your Stûv.

We strongly recommend:

- having the unit installed by a qualified professional who can ensure that the installation of the appliance and the integrity of the chimney are in compliance with the certifications and the building code,
- carefully reading the operating and maintenance instructions,
- having the chimney swept regularly (once per heating season, for regular use) to ensure optimal operation and maximum safety.

8.2 WARRANTY FORM



THE APPLIANCE

Serial no.: _____

Model: _____

Invoice date: _____

Installation date: _____

*The serial number can be found on the marking label at the bottom of the combustion chamber. The location of the label is indicated on the first page of the *CERTIFICATION* section.

THE INSTALLER

I, the undersigned,
declare that the above-mentioned appliance has been installed in compliance with the existing regulations and in accordance with the technical recommendations in the installation instructions.

Date: _____

Signature: _____

Company: _____

Name: _____

Address: _____

Tel no.: _____

THE DEALER

Company: _____

Name: _____

Address: _____

Tel no.: _____

THE BUYER

Name: _____

Address: _____

Email: _____

Tel no.: _____

Installation address (if different): _____

PLEASE FILL OUT THIS FORM AND SEND IT TO US VIA:

Our website: **stuvamerica.com**
On the Warranty and Product Registration page

Stûv America Inc.
34, Boulevard de l'Aéroport
Bromont Québec J2L 1S6 Canada

Email: **info@stuvamerica.com**
Tel.: +1-866-487-7888
Fax: +1-514-528-9538



Stûv inserts are designed by:

Stûv sa – Belgique
stuv.com

Rue Jules Borbouse n°4 B-5170
Bois-de-Villers

And manufactured in North America by:

Stûv America inc. – Canada
stuvamerica.com

34, Boulevard de l'Aéroport
Bromont QC Canada J2L 1S6

1-514-396-3463 | 1-866-487-7888