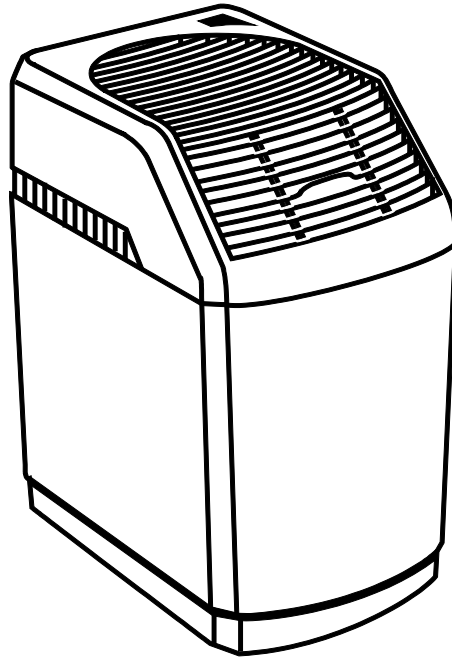


# AIRCARE®

## SPACE SAVER EVAPORATIVE HUMIDIFIER



## MODEL 831000 USE AND CARE GUIDE

- ▶ Adjustable Humidistat
- ▶ Three Speed Fan
- ▶ Easy Pour-in Reservoir
- ▶ Four Casters

Français ..... 11  
Español ..... 21



TO ORDER PARTS AND ACCESSORIES CALL 1.800.547.3888

**COMFORT IS IN THE AIR**

# IMPORTANT SAFEGUARDS

## General Safety Instructions

### READ BEFORE USING YOUR HUMIDIFIER

**DANGER:** means if the safety information is not followed someone will be seriously injured or killed.

**WARNING:** means if the safety information is not followed someone could be seriously injured or killed.

**CAUTION:** means if the safety information is not followed someone may be injured.

1. To reduce the risk of fire or shock hazard, this humidifier has a polarized plug (one blade is wider than the other). Plug humidifier directly into a 120V, A.C. electrical outlet. Do not use extension cords. If the plug does not fully fit into the outlet, reverse plug. If it still does not fit, contact a qualified electrician to install the proper outlet. Do not change the plug in any way.
2. Keep the electric cord out of traffic areas. To reduce the risk of fire hazard, never put the electric cord under rugs, near heat registers, radiators, stoves or heaters.
3. Always unplug the unit before moving, cleaning or removing the fan assembly section from the humidifier, or whenever it is not in service.
4. Keep the humidifier clean. To reduce the risk of injury, fire or damage to humidifier, use only cleaners specifically recommended for humidifiers. Never use flammable, combustible or poisonous materials to clean your humidifier
5. Do not put foreign objects inside the humidifier.
6. Do not allow unit to be used as a toy. Close attention is necessary when used by or near children.
7. To reduce the risk of electrical hazard or damage to humidifier, do not tilt, jolt or tip humidifier while unit is running.
8. To reduce the risk of accidental electrical shock, do not touch the cord or controls with wet hands.
9. To reduce the risk of fire, do not use near an open flame such as a candle or other flame source.

**WARNING:** For your own safety, do not use humidifier if any parts are damaged or missing.

**WARNING:** To reduce risk of fire, electric shock, or injury always unplug before servicing or cleaning.

**WARNING:** To reduce the risk of fire or shock hazard, do not pour or spill water into control or motor area. If controls get wet, let them dry completely and have unit checked by authorized service personnel before plugging in.

## INTRODUCTION

Your new humidifier adds invisible moisture to your home by moving dry inlet air through a saturated wick. As air moves through the wick, the water evaporates into the air, leaving behind any white dust, minerals, or dissolved and suspended solids in the wick. Because the water is evaporated, there is just clean and invisible moist air.

As the evaporative wick traps accumulated minerals from the water, its ability to absorb and evaporate water decreases. We recommend changing the wick at the beginning of every season. In hard water areas, more frequent replacement may be necessary to maintain your humidifier's efficiency.

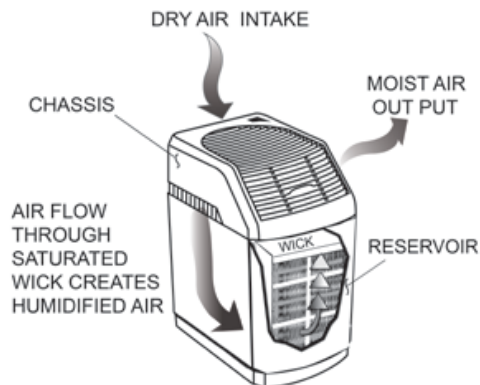
Use only AIRCARE® or Essick Air® brand replacement wicks and chemicals. To order parts, wicks and chemicals call 1-800-547-3888. The 800 Series humidifiers use wick # 1043. Only the AIRCARE® or Essick Air® evaporative wick guarantees the certified output of your humidifier. Use of other brands of wicks voids the certification of output and may void your warranty.

## HOW YOUR HUMIDIFIER WORKS

Dry air is drawn into the humidifier top, then air is moisturized as it passes through the saturated evaporative wick in the reservoir.

The humidified air is then circulated into the room through the front grille.

All evaporation occurs in the humidifier so any residue remains in the wick. This natural process of evaporation creates no white dust like some other humidifiers.



Description	831000
*Output per 24 hrs	Up to 9 gallons
Water Capacity	6 gallons
Sq. ft. coverage	2700 (Tight Const.)
Fan Speeds	3
Replacement Wick	No. 1043
Adjustable Humidistat	Yes
Refill Indication	Yes
Controls	Digital
Casters	Yes (4)
ETL Listed	Yes
Volts	120
Hertz	60
Watts	70

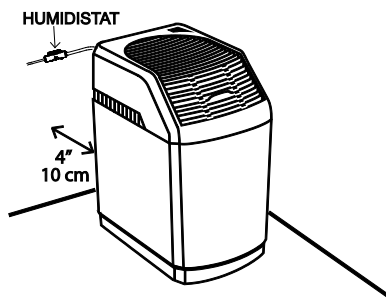
\* Based on an area with an 8' ceiling height ANSI/AHAM HU-1-1997. SEC. 8.1. Results may vary depending on average or tight construction.

## NOTES ON LOCATION:

In order to get the most effective use from your humidifier, it is important to position the unit where the most humidity is needed or where the moist air will be circulated throughout the house such as near a cold air return. If the unit is positioned close to a window, condensation may form on the window pane. If this occurs the unit should be repositioned in another location.

Do NOT position the unit directly in front of a hot air duct or radiator. Do NOT place on soft carpet.

Due to release of cool, moist air from the humidifier, it is best to direct air away from thermostat and hot air registers. Ensure free air flow around humidistat. Position humidifier next to an inside wall on a level place at least 4 inches away from the wall or curtains.



## ASSEMBLY

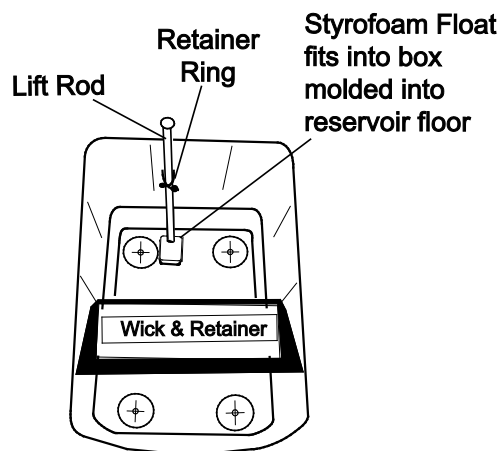
- 1) Unpack humidifier from carton.
- 2) Remove all packaging materials. Check to see that you have all of the following items removed from the box, accessory kit and cabinet before discarding the packaging:
  - Evaporative wick and wick retainer
  - Caster kit
  - Lift rod assembly with Styrofoam float
  - Manual

## CASTERS

- 3) Turn the emptied cabinet upside down. Insert each caster stem into one of the four caster holes on the corner of the humidifier bottom. The casters should fit snugly and be inserted until the stem shoulder reaches the cabinet surface.
- 4) Turn the cabinet right side up.

## FLOAT AND EVAPORATIVE WICK INSTALLATION

- 5) Place the float assembly and attached lift rod into the boxed area on the bottom of the inside of the cabinet. Slip lift rod into retainer ring and twist to secure. The lift rod should be able to freely move up and down about 3/8". The retainer ring should be located between the two ribs on the lift rod.
- 6) Place the wick assembly into the guides provided in the bottom of the cabinet and the ribs along the sides.
- 7) Place the chassis unit onto the cabinet ensuring that the chassis seats correctly into the front and back grooved edges.



## WATER FILL

**CAUTION:** Before filling, ensure unit is turned OFF.

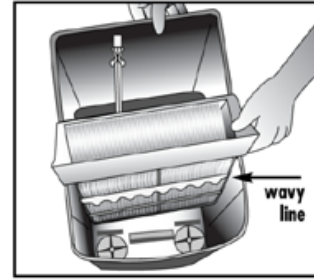
- 8) With the power off, fill the water reservoir with water to the level indicated on the wick frame assembly and “Fill to Here” decal on the cabinet side wall. Do not overfill. When first filled, the reservoir capacity is 6 gallons.

**NOTE:** When the reservoir is being filled for the first time, the dry wick absorbs water, requiring more water on the first fill up than subsequent fillings.

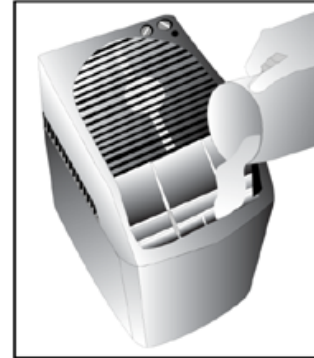
- 9) For subsequent fillings, turn power off, refill, then, turn unit on again.

**NOTE:** We recommend using AIRCARE® or Essick Air® Bacteriostat Treatment when you refill the water reservoir to eliminate bacterial growth. Add bacteriostat according to the instructions on the bottle.

**NOTE:** Under no circumstances should you use Water Treatment products intended for Rotobelt or Ultrasonic humidifiers.



Note: This wavy line is the fill level indicator. Do not fill above this mark.



## ABOUT HUMIDITY

Where you set your desired humidity levels depends on your personal comfort level, the outside temperature and the inside temperature.

**NOTE:** Recent CDC tests show that the chances of flu transmission are greatly reduced at levels of 43% humidity.

You may wish to purchase a hygrometer\* to measure the humidity level in your home. The following is a chart of recommended humidity settings.

**IMPORTANT:** Water damage may result if condensation starts to form on windows or walls. Humidity SET point should be lowered until condensation no longer forms. We recommend room humidity levels do not exceed 50%.

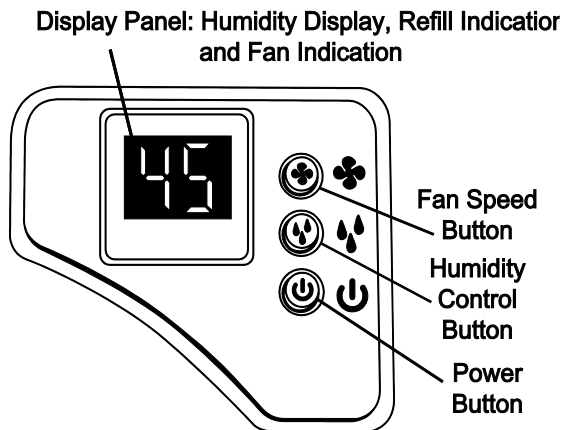
When Outdoor Temperature is:		Recommended Indoor Relative Humidity (RH) is
°F	°C	
-20	-30°	15 - 20%
-10°	-24°	20 - 25%
2°	-18°	25 - 30%
10°	-12°	30 - 35%
20°	-6°	35 - 40%
30°	-1°	40 - 45%

\*Model 1990 digital hygrometer is available for purchase by calling 1-800-547-3888.

**NOTE:** External hygrometer readings and humidistat readings may differ. Humidity levels can vary significantly even in one room.

## OPERATION

**Note:** Place the unit at least FOUR inches away from any walls or curtains. Unrestricted airflow into the unit will result in the best efficiency and performance.



- 1) Plug cord into wall receptacle. Your humidifier is now ready for use.

**NOTE:** This unit has an adjustable humidistat located in the control that senses the humidity level around the immediate area of the humidifier. It turns the humidifier on when the relative humidity in your home is below the humidistat setting and will turn the humidifier off when the relative humidity reaches the humidistat setting.

## CONTROL PANEL

The digital controller has a display that provides information on the status of the unit. Depending on which function is being accessed, it displays relative humidity, fan speed, set humidity and indicates when the unit is out of water.

### HUMIDITY CONTROL

**NOTE:** This unit has an automatic humidistat that cycles the humidifier on and off as required to maintain the selected setting.

- 2) At initial startup the relative humidity of the room will be displayed. Each time you push the Humidity Control Button the setting will increase in 5% increments. At 65% set point, the unit will operate continuously.

### FAN SPEED

- 3) The 831000 unit has a 3-speed fan. The display shows F1, F2 or F3). Use the lowest setting for the quietest operation or a highest setting for maximum output.



**NOTE:** When excessive condensation exists, a lower speed setting is recommended.

**CAUTION: Disconnect power before cleaning or servicing unit. Keep grille dry at all times.**

### OTHER INDICATIONS

- 4) The control will display a flashing "F" when the water reservoir is empty. When the unit is completely out of water, the motor will shut off. Follow the directions under FILLING INSTRUCTIONS



### AUTO DRYOUT

At this time the unit will automatically switch into **AUTO DRY OUT MODE** and continue to run on the lowest speed until the filter is completely dry. The fan will shut off leaving you with a dry humidifier that is less prone to mold and mildew.

During the AUTO DRYOUT mode the room humidity level will continue to be monitored and the humidifier will cycle the fan on and off until the filter is completely dry.

- 5) This humidifier has a check filter reminder timed to appear after 720 hours of operation. When the Check Filter (CF) message is displayed, disconnect the power cord and check the condition of the filter. The CF function will reset after the unit is plugged back in.

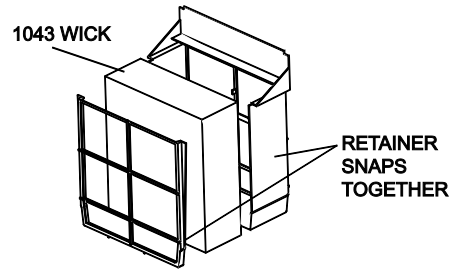


## REPLACEMENT OF WICK

**CAUTION: Before changing wick, ensure unit is turned OFF and unplugged.**

**NOTE:** This unit uses model 1043 wick. Replace the wick at the beginning of each season, and more often in areas with hard water.

- 1) To replace wick, lift the retainer with wick out of the unit. Lay the retainer on its back, unsnap front grid from retainer frame. Extract and discard old wick. Do not discard wick retainer.
- 2) Insert new wick into frame and reinstall retainer front grid.



## CARE AND MAINTENANCE

**Cleaning your humidifier regularly helps eliminate odors and bacterial and fungal growth.** Ordinary household bleach is a good disinfectant and can be used to wipe out the humidifier base and bottle/reservoir after cleaning. We recommend cleaning your humidifier at least once every two weeks to maintain optimum environmental conditions for your home. **We also recommend using AIRCARE® or Essick Air® Bacteriostat Treatment each time you refill your humidifier to eliminate bacterial growth.** Add bacteriostat according to the instructions on the bottle. Please call 1-800-547-3888 to order Bacteriostat Treatment, part number 1970.

- 1) Turn off unit completely and unplug from outlet.
- 2) Lift off the chassis.
- 3) Roll or carry the base to cleaning basin. Lift wick from the base allowing the water to drain and remove float assembly from wick. Rinse wick under fresh water only. Do not use soap, detergent, or any other cleaners on the wick. Leave in sink to drain.

## REMOVING SCALE

- 4) Pour out any remaining water from the reservoir. Fill reservoir ½ full with water and add 8 oz. (1 cup) of white vinegar. Let stand 20 minutes.
- 5) Dampen a soft cloth with undiluted white vinegar and wipe out reservoir to remove scale. Rinse the water bottle and reservoir thoroughly with fresh water to remove scale and cleaning solution before disinfecting.

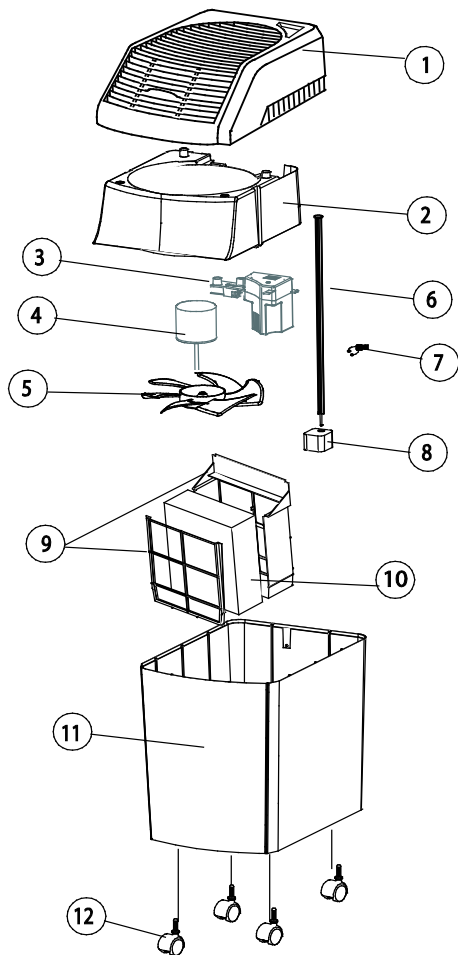
## DISINFECTING UNIT

- 6) Fill the reservoir ½ full with water and add 1 teaspoon of bleach. Let solution stay for 20 minutes, then rinse with water until bleach smell is gone. Dry interior surfaces with clean cloth. Wipe down the outside of the unit with a soft cloth dampened with fresh water.
- 7) Refill unit and reassemble per **ASSEMBLY** instructions.

## SUMMER STORAGE

- 1) Clean unit as outlined in Care & Maintenance section.
- 2) Discard used wick and any water in the reservoir. Do not discard wick retainer. Allow to dry thoroughly before storage. **Do not** store with water inside reservoir.
- 3) Do not store unit in an attic or other high-temperature area, as damage is probable.
- 4) Install new filter at beginning of season

## REPAIR PARTS LIST

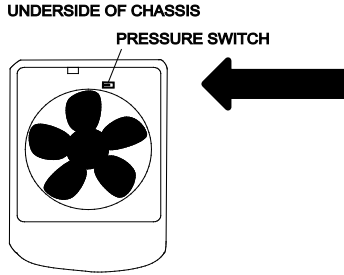


ITEM NO.	DESCRIPTION	831000 PART NO.
1	Chassis	1B72844
2	Motor Support	1B72628
3	Control	NA
4	Motor	NA
5	Fan Blade	1B5060470
6	Float Rod	1B72125
7	Float Rod Retainer	1B5460590
8	Float	1B5060400
9	Wick retainer	4V3398020GRYP
10	Wick	1043
11	Cabinet	4V3395020
12	Casters (set of 4)	1B5460070
13	Owner's Manual (not shown)	1B72811

Order by part number, not by item number. To order, call: 1-800-547-3888  
or visit our website <http://store.essickair.com>.



## TROUBLESHOOTING GUIDE

Trouble	Probable Cause	Remedy
Digital display not illuminated.	No Power. Power button has not been depressed.	<ul style="list-style-type: none"> <li>• Check 120 volt power source.</li> <li>• Press power button once to turn on.</li> </ul>
Fan not operating (digital display is illuminated).	ROOM humidity level is not 3% or more below SET humidity level. Reservoir is empty.	<ul style="list-style-type: none"> <li>• Raise SET humidity level if desired.</li> <li>• Increase fan speed.</li> <li>• Fill humidifier with water.</li> </ul>
Unit does not operate on any speed setting	No power to unit.	Ensure polarized plug is fully inserted in wall outlet.
	Unit has run out of water – fan will not operate without water is present.	Refill reservoir.
	Refill switch operation/improper positioning of float assy.	Ensure float assembly is correctly positioned as described in “Important Filling Instructions”, page 4.
Motor does not turn on.	Check motor/fan operation.   <p>UNDERSIDE OF CHASSIS PRESSURE SWITCH</p>	<p><b>CAUTION: Do not touch the fan when accomplishing this test, as the motor may turn on.</b></p> <p>To test the motor, turn unit ON and turn all knobs fully ON.</p> <p>Turn the chassis over and insert finger into tab where float rod is supposed to go. If fan turns on, the fan and motor are working correctly.</p>
	If unit has overheated, motor temp-sensing fuse may have tripped.	Take unit to authorized service station. DO NOT ATTEMPT electrical repairs yourself.
	Wick may be installed incorrectly	Remove and reinstall wick correctly.
Not enough humidity	Wick is old and ineffective.	Replace wick when clogged or hardened with minerals.
	Humidistat is not set high enough.	Increase humidity setting on control panel.
Too much humidity. (Condensation becomes heavy on cold surfaces in room)	Humidistat is set too high.	Reduce humidistat setting or increase room temperature.
Water leak	Cabinet may have been overfilled. There is a safety overflow hole in rear of cabinet.	<b>DO NOT OVERFILL</b> cabinet. Correct water level is indicated inside of cabinet side wall.
Odor	Bacteria may be present.	<p>Clean and disinfect cabinet following Care and Maintenance instructions.</p> <p>Add EPA registered Bacteria Treatment according to instructions on the bottle.</p> <p>It may be necessary to replace the wick if odor persists.</p>

## **HUMIDIFIER TWO YEAR LIMITED WARRANTY POLICY**

### **SALES RECEIPT REQUIRED AS PROOF OF PURCHASE FOR ALL WARRANTY CLAIMS.**

This warranty is extended only to the original purchaser of this humidifier when the unit is installed and used under normal conditions against defects in workmanship and materials as follows:

- Two (2) years from date of sale on the unit, and
- Thirty (30) days on wicks and filters, which are considered disposable components and should be replaced periodically.

The manufacturer will replace the defective part/product, at its discretion, with return freight paid by the manufacturer. It is agreed that such replacement is the exclusive remedy available from the manufacturer and that **TO THE MAXIMUM EXTENT PERMITTED BY LAW, THE MANUFACTURER IS NOT RESPONSIBLE FOR DAMAGES OF ANY KIND, INCLUDING INCIDENTAL AND CONSEQUENTIAL DAMAGE OR LOSS OF PROFITS OR REVENUES.**

Some states do not allow limitations on how long an implied warranty lasts, so the above limitations may not apply to you.

### **Exclusions from this warranty**

We are not responsible for replacement of wicks and filters.

We are not responsible for any incidental or consequential damage from any malfunction, accident, misuse, alterations, unauthorized repairs, abuse, including failure to perform reasonable maintenance, normal wear and tear, nor where the connected voltage is more than 5% above the nameplate voltage.

Alterations include the substitution of name brand components including, but not limited to wicks and bacteria treatment.

We are not responsible for any damage from the use of water softeners or treatments, chemicals or descaling materials.

We are not responsible for the cost of service calls to diagnose the cause of trouble, or labor charge to repair and/or replace parts.

No employee, agent, dealer or other person is authorized to give any warranties or conditions on behalf of the manufacturer. The customer shall be responsible for all labor costs incurred.

*This warranty will be null & void if purchaser attempts to repair or replace any parts which are mechanical or electrical.*

Some states do not allow the exclusion or limitation of incidental or consequential damages, so the above limitations or exclusions may not apply to you.

### **How to obtain service under this warranty**

Within the limitations of this warranty, purchaser with inoperative units should contact customer service at **800-547-3888** for instructions on how to obtain service within warranty as listed above.

This warranty gives the customer specific legal rights, and you may also have other rights which vary from province to province, or state to state.

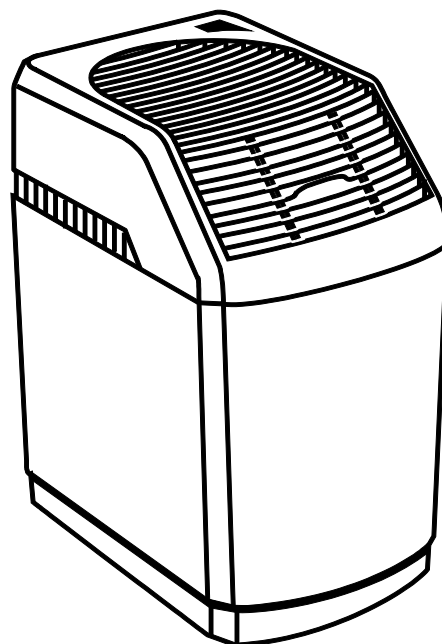
Register your product at [www.essickair.com](http://www.essickair.com) or [www.AIRCAREproducts.com](http://www.AIRCAREproducts.com).

# AIRCARE®

## ÉCONOMISEUR D' ESPACE HUMIDIFICATEUR À ÉVAPORATION

### MODÈLE 831000 MANUEL D'UTILISATION ET D'ENTRETIEN

- ▶ Humidostat ajustable
- ▶ Ventilateur à trois vitesses
- ▶ Remplissage aisé du réservoir
- ▶ Quatre roulettes



Anglais ..... 1  
Espagnol ..... 21



POUR COMMANDER DES PIÈCES ET DES ACCESSOIRES  
APPELEZ LE 1.800.547.3888

# MISES EN GARDE IMPORTANTES

## Consignes générales de sécurité

### À LIRE AVANT D'UTILISER VOTRE HUMIDIFICATEUR

**DANGER** : signifie que si les consignes de sécurité ne sont pas respectées, quelqu'un sera gravement blessé ou tué.

**AVERTISSEMENT** : signifie que si les consignes de sécurité ne sont pas respectées, quelqu'un risque d'être gravement blessé ou tué.

**PRUDENCE** : signifie que si les consignes de sécurité ne sont pas respectées, quelqu'un sera peut-être blessé.

1. Pour réduire le risque d'incendie ou de choc électrique, cet humidificateur possède une fiche polarisée (une broche est plus large que l'autre). Branchez l'humidificateur directement dans une prise électrique de 120 V, AC. N'utilisez pas de rallonges. Si la fiche n'entre pas complètement dans la prise, inversez la fiche. Si elle ne rentre toujours pas, contactez un électricien qualifié pour installer une prise adéquate. Ne modifiez la fiche en aucun cas.
2. Ne laissez pas traîner le cordon électrique dans des passages très fréquentés. Pour réduire le risque d'incendie, ne placez jamais le cordon électrique sous un tapis, ou à proximité d'une bouche de chaleur, d'un radiateur, d'un four ou d'un appareil de chauffage.
3. Débranchez toujours l'appareil avant de le déplacer, le nettoyer ou de retirer l'ensemble de ventilation, ou chaque fois qu'il n'est pas en service.
4. Veillez à ce que l'humidificateur reste propre. Pour réduire le risque de blessure, d'incendie ou de dommages à l'humidificateur, utilisez uniquement des produits de nettoyage spécialement recommandés pour les humidificateurs. N'utilisez jamais de matériaux inflammables, combustibles ou toxiques pour nettoyer votre humidificateur.
5. Ne placez pas de corps étrangers à l'intérieur de l'humidificateur.
6. Ne laissez pas des enfants se servir de cet appareil comme d'un jouet. Il faut faire très attention quand cet appareil est utilisé par des enfants ou à proximité d'enfants.
7. Pour réduire le risque de danger électrique ou d'endommagement de l'humidificateur, n'inclinez pas, ne heurtez pas et ne faites pas basculer l'humidificateur quand il est en marche.
8. Pour réduire le risque de choc électrique accidentel, ne touchez pas le cordon ou les commandes avec les mains mouillées.
9. Pour réduire le risque d'incendie, n'utilisez pas l'humidificateur près d'une flamme nue comme une bougie ou une autre source de flamme.

**AVERTISSEMENT** : Pour votre propre sécurité, n'utilisez pas l'humidificateur si des pièces sont endommagées ou manquantes.

**AVERTISSEMENT** : Pour réduire les risques d'incendie, de choc électrique ou de blessure, débranchez toujours l'appareil avant d'effectuer une réparation ou un nettoyage.

**AVERTISSEMENT** : Pour réduire le risque d'incendie ou de choc électrique, ne versez pas et ne renversez pas d'eau dans la zone des commandes ou du moteur. Si les commandes sont mouillées, laissez-les sécher complètement et faites vérifier l'unité par du personnel d'entretien autorisé. avant de brancher l'appareil.

## INTRODUCTION

Votre nouvel humidificateur ajoute de l'humidité dans la maison en faisant passer de l'air sec à travers un filtre à mèche saturée. Au fur et à mesure que l'air passe au travers du filtre à mèche, l'eau s'évapore dans l'air en laissant derrière elle toutes poussières blanches, minéraux et solides dissous ou en suspension. Puisque l'eau est évaporée, il n'y a que de l'air humidifié, propre et invisible.

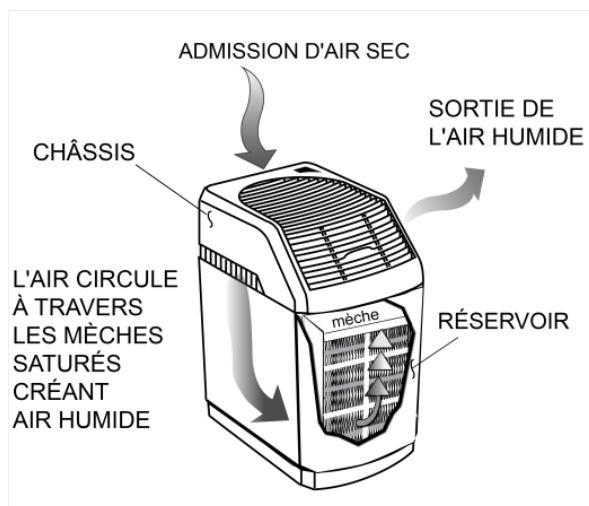
Au fur et à mesure que le filtre à mèche d'évaporation emprisonne et accumule les minéraux contenus dans l'eau, sa capacité d'absorption et d'évaporation d'eau diminue. Nous recommandons de changer le filtre à mèche au début de chaque saison. Dans les régions où l'eau est dure, un remplacement plus fréquent peut être nécessaire afin de maintenir l'efficacité de votre humidificateur.

N'utilisez que des produits chimiques et filtres à mèche AIRCARE® ou Essick Air® en remplacement. Pour commander des pièces, filtres à mèche et produits chimiques, appelez le 1-800-547-3888. Les humidificateurs de la série 800 utilisent des filtres à mèche n° 1043. Seuls les filtres à mèche d'évaporation de marque AIRCARE ou Essick Air garantissent le meilleur rendement de votre humidificateur. L'utilisation de filtres à mèche d'autres marques nuit aux performances de l'appareil et peut annuler votre garantie.

## COMMENT FONCTIONNE VOTRE HUMIDIFICATEUR

L'air sec est aspiré dans le haut de l'humidificateur, puis est humidifié au fur et à mesure de son passage à travers le filtre à mèche saturée dans le réservoir.

L'air humidifié est ensuite libéré dans la pièce par la grille frontale inférieure.



Description	831000
*Débit par 24 h	Jusqu' à 9 gallons (22,7 litres)
Capacité d'eau	6 gallons (22,7 litres)
Couverture en pieds carrés	Jusqu'à 2700 (constr. étanche)
Vitesses de ventilation	3
Filtre de rechange	N° 1043
Humidostat réglable	Oui
Voyant de remplissage	Oui
Commandes	Numérique
Roulettes	Oui (4)
Certification ETL	Oui
Volts	120
Hertz	60
Watts	70

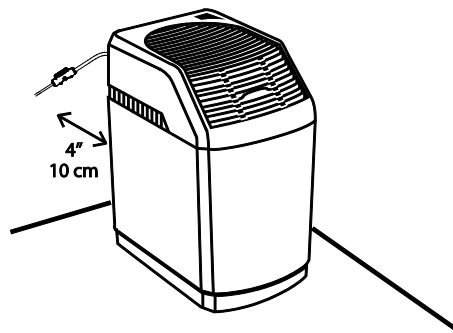
\* Pour une pièce avec un plafond à une hauteur de 8 pieds, selon la norme ANSI/AHAM HU-1-1997. SEC. 8.1. Les résultats peuvent varier.

## REMARQUES SUR L'EMPLACEMENT :

Afin de tirer le meilleur parti de votre humidificateur, il est important de placer l'appareil à un endroit où le plus d'humidité est nécessaire ou là où l'air humide circulera dans toute la maison comme à proximité d'un retour d'air froid. Si l'appareil est placé près d'une fenêtre, de la condensation peut se former sur la vitre. Si cela se produit, il faut déplacer l'appareil.

Ne placez PAS l'appareil directement devant une bouche d'air chaud ou un radiateur. NE le placez PAS sur de la moquette ou un tapis.

Du fait que de l'air humide et frais est libéré de l'humidificateur, il est préférable de ne pas diriger l'air vers un thermostat ou des bouches d'air chaud. Assurer un débit d'air libre autour de l'hygrostat (situé sur le cordon d'alimentation). Placez l'humidificateur à côté d'un mur intérieur sur une surface plane à au moins 4 pouces (10 cm) du mur ou des rideaux.



## ASSEMBLAGE

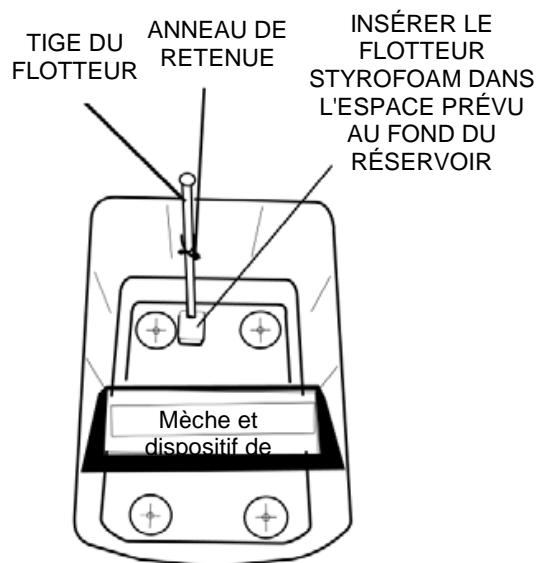
- 1) Déballez l'humidificateur.
- 2) Retirez tous les matériaux d'emballage. Vérifiez que vous disposez de tous les éléments suivants retirés des boîtes, du kit d'accessoires et de la base avant de jeter l'emballage :
  - Filtre à mèche d'évaporation et dispositif de retenue
  - Ensemble tige de levage et flotteur Styrofoam
  - Jeu de roulettes
  - Manuel

## ROULETTES

- 3) Retournez la base vidée. Insérez chaque tige de roulette dans l'un des quatre orifices situés aux coins de la base de l'humidificateur. Les roulettes doivent être bien ajustées et insérées jusqu'à ce que l'épaule de la tige atteigne la surface de la base.
- 4) Remettez la base à l'endroit.

## MÈCHE D'ÉVAPORATION

- 5) Placez l'ensemble flotteur avec la tige de levage dans l'espace prévu à cet effet au fond de la base. Glissez la tige de levage dans l'anneau de retenue et tournez pour la fixer. La tige de levage doit pouvoir se déplacer librement de haut en bas sur 3/8". L'anneau de retenue doit se trouver entre les deux nervures sur la tige de levage.
- 6) Remettez l'ensemble filtrant dans les guides prévus au fond de la base et les nervures sur les côtés.
- 7) Placez le bâti sur la base en vous assurant qu'il est correctement enclenché dans les rainures avant et arrière.



## REPLISSAGE D'EAU

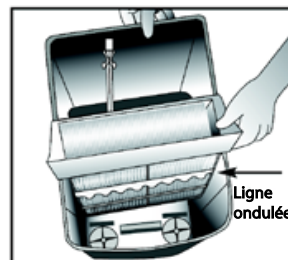
**MISE EN GARDE :** Avant le remplissage, assurez-vous que l'appareil est éteint.

- 8) Remplissez le réservoir avec de l'eau jusqu'au niveau indiqué sur le montage du cadre du filtre à mèche et jusqu'au niveau de l'autocollant avec la phrase « Fill to here » (remplir jusqu'ici) qui se situe sur la paroi de côté. Ne remplissez pas plus. La capacité du récipient est de 23 litres (6 gallons) pour le premier remplissage.

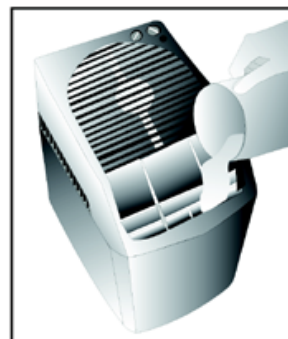
**REMARQUE :** Lorsque le réservoir est rempli pour la première fois, la mèche sèche absorbe l'eau, nécessitant plus de plus d'eau pour la première fois le plein que pour les remplissages subséquents.

- 9) Pour remplissages successifs, éteignez l'appareil, remplissez, puis remettez l'appareil en marche.

**REMARQUE :** Nous recommandons l'utilisation d'AIRCARE<sup>®</sup> ou du traitement bactériostatique d'Essick Air<sup>®</sup> à chaque remplissage du réservoir d'eau afin d'éliminer la croissance bactérienne. Ajoutez le produit de traitement selon les instructions figurant sur le récipient.



**REMARQUE:** Cette ligne ondulée est le repère de remplissage. Ne remplissez pas au-delà de ce repère.



**NOTE:** Vous ne devez en aucun cas utiliser des produits de traitement de l'eau conçus pour des humidificateurs d'air ultrasoniques ou de type « Roto Belt ».

## À PROPOS DE L'HUMIDITÉ

Le réglage du niveau d'humidité souhaité dépend de votre niveau de confort personnel, la température extérieure et la température intérieure.

**REMARQUE:** Les tests CDC récentes montrent que les risques de transmission de la grippe sont considérablement réduits à des niveaux de 43% d'humidité.

\*Vous pouvez acheter un hygromètre pour mesurer le niveau d'humidité chez vous. Voici un tableau des taux d'humidité recommandés.

**IMPORTANT:** Des dégâts causés par l'eau peuvent se produire si de la condensation commence à se former sur les fenêtres ou les murs. Le point de réglage (SET) de l'humidité doit être réduit jusqu'à ce que la condensation cesse de se former. Nous recommandons que les niveaux d'humidité ambiante ne dépassent pas 50 %.

Lorsque la température extérieure est de :		L'humidité relative (HR) recommandée à l'intérieur d'une habitation est de :
°F	°C	
-20	-30°	15 - 20%
-10°	-24°	20 - 25%
2°	-18°	25 - 30%
10°	-12°	30 - 35%
20°	-6°	35 - 40%
30°	-1°	40 - 45%

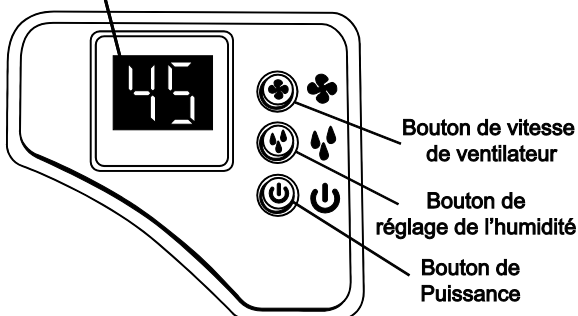
\* Modèle 1990 hygromètre numérique est disponible à l'achat par téléphone au 1-800-547-3888.

**REMARQUE :** Lectures de externes et des lectures hygostat peuvent différer. Les niveaux d'humidité peuvent varier considérablement, même dans une pièce.

## FONCTIONNEMENT

**REMARQUE :** L'humidificateur doit être placé à au moins QUATRE pouces (10 cm) des murs et des bouches de chaleur. Une entrée d'air non obstruée assure une meilleure efficacité et un meilleur rendement de l'appareil.

Panneau De Commande: Affichage de l'humidit ,  
Indicateur remplissage et la vitesse du ventilateur



1) Branchez le cordon dans la prise murale. Votre humidificateur est maintenant prêt à l'emploi.

**REMARQUE :** Cet appareil dispose d'un humidostat automatique situé sur le panneau de commande qui détecte le niveau d'humidité autour de l'humidificateur. Il enclenche l'humidificateur lorsque l'humidité relative à l'intérieur de votre habitation est inférieure au point d'humidité programmé et l'éteint lorsque l'humidité relative atteint le point de réglage.

## PANNEAU DE COMMANDE

La commande numérique affiche des renseignements sur l'état de l'appareil. Il peut montrer l'humidité relative, vitesse de ventilateur, humidité choisie et indique quand l'unité est hors de l'eau.

### RÉGLAGE DE L'HUMIDITÉ.

**REMARQUE :** Ce modèle est équipé d'un hygrostat automatique qui déclenche ou éteint l'humidificateur selon les besoins pour maintenir le taux d'humidité choisi.

2) Au premier démarrage, le taux d'humidité relative de la chambre sera affiché. Le réglage augmentera de 5 % chaque fois que vous appuierez sur la touche de réglage du taux d'humidité. À partir d'une valeur de réglage de 65 %, l'appareil fonctionnera sans arrêt. La lettre F clignotante indiquera que le réservoir est vide.

### VITESSE DE VENTILATEUR

3) Appuyez sur le bouton d'alimentation et de sélectionner la vitesse du ventilateur: F1 (basse), F2 (moyen) et F3 (élevé).

**REMARQUE :** En cas de condensation excessive, il est recommandé de diminuer la vitesse.

### AUTRES INDICATIONS

4) Cet humidificateur a un rappel de vérification de filtre qui apparaît après 720 heures de fonctionnement. Lorsque le message Check Filter (CF) (Vérifier Filtre) s'affiche, débranchez le cordon d'alimentation et vérifiez l'état du filtre. La fonction CF est réinitialisée après avoir rebranché l'appareil.

5) Lorsque l'appareil n'a plus d'eau, un F clignotant s'affiche sur le panneau d'affichage.

### DESSÈCHEMENT MODE

À ce moment également, l'appareil passera automatiquement dans le mode de dessèchement et continuera à fonctionner à basse vitesse) pendant deux heures.

**REMARQUE :** pendant ce temps, le niveau d'humidité de la pièce continuera à être surveillé, et l'humidificateur lancera des cycles de mise en marche et d'arrêt du ventilateur jusqu'à ce que le filtre soit complètement sec. Le ventilateur s'arrêtera alors, laissant votre humidificateur sec et moins susceptible aux moisissures. Si vous ne voulez pas passer dans le mode de dessèchement, remplissez à nouveau l'humidificateur d'eau.

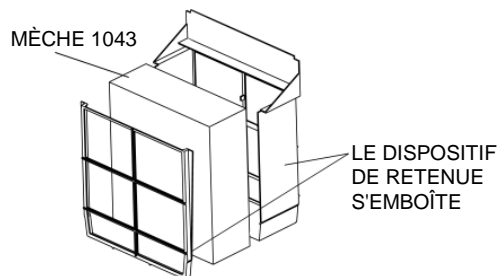




## REPLACEMENT DU MÈCHE

**MISE EN GARDE :** Avant de remplacer le mèche, assurez-vous que l'appareil est éteint et débranché.

**REMARQUE :** Cet appareil utilise le modèle de filtre à mèche 1043. Remplacez le filtre à mèche au début de chaque saison, et plus souvent dans les régions où l'eau est dure.



- 1) Pour remplacer le mèche, sortez le dispositif de retenue avec la mèche de l'appareil. Posez le dispositif de retenue sur le dos, détachez la grille avant du dispositif de retenue. Sortez et jetez l'ancien mèche. Ne jetez pas retenue mèche.
- 2) Insérez un nouveau mèche dans le support et remettez la grille avant du dispositif de retenue.

## NETTOYAGE ET ENTRETIEN

**Le nettoyage régulier de votre humidificateur aide à éliminer les odeurs et la croissance bactérienne et fongique.** L'eau de Javel est un bon désinfectant et peut être utilisée pour essuyer la base de l'humidificateur et le réservoir après le nettoyage. Nous vous recommandons de nettoyer votre humidificateur au moins une fois toutes les deux semaines pour maintenir des conditions environnementales optimales chez vous. **Nous recommandons l'utilisation d'IRCARE® ou du traitement bactériostatique d'Essick Air® à chaque remplissage de l'humidificateur afin d'éliminer la croissance bactérienne.** Ajoutez le produit de traitement selon les instructions figurant sur le récipient. Veuillez appeler le 1-800-547-3888 pour commander le traitement bactériostatique, sous le numéro de produit 1970.

- 1) Éteignez complètement l'appareil et débranchez-le de la prise.
- 2) Soulevez le bâti.
- 3) Amenez la base vers l'évier. Soulevez le filtre à mèche de la base en laissant l'eau s'écouler et retirez l'ensemble flotteur du filtre à mèche. Rincez le filtre à mèche avec de l'eau fraîche uniquement. N'utilisez pas de savon, de détergent ni d'autres produits de nettoyage sur le filtre à mèche. Laissez-le s'égoutter dans l'évier.

### DÉTARTRAGE

- 4) Videz toute l'eau résiduelle du réservoir. Remplissez de moitié le réservoir avec de l'eau et ajoutez 8 onces (1 tasse) de vinaigre blanc non dilué. Laissez agir pendant 20 minutes.
- 5) Imbibez un chiffon doux avec du vinaigre blanc non dilué et essuyez le réservoir pour enlever les dépôts de tartre. Rincez le réservoir d'eau et la base avec de l'eau douce pour enlever le tartre et la solution de nettoyage avant la désinfection.

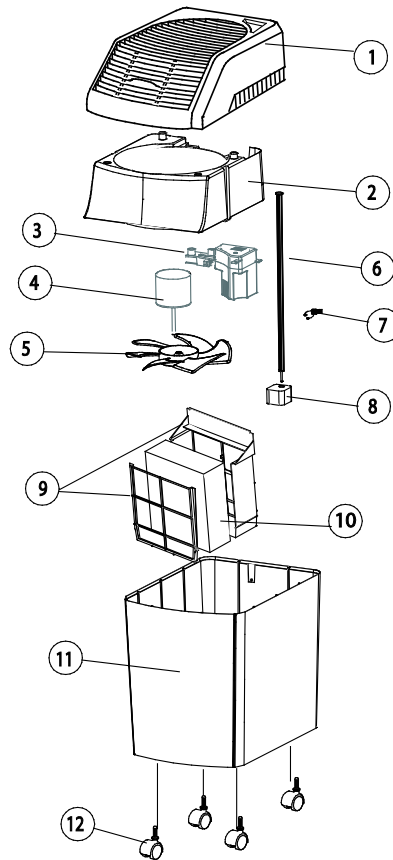
### DÉSINFECTION DE L'APPAREIL

- 6) Remplissez de moitié le réservoir avec de l'eau et ajoutez 1 c. à thé d'eau de Javel. Laissez agir la solution pendant 20 minutes, puis rincez à l'eau jusqu'à ce que l'odeur de l'eau de Javel ait disparu. Séchez les surfaces internes avec un chiffon propre. Essuyez l'extérieur de l'appareil avec un chiffon doux imbibé d'eau fraîche.
- 7) Remplissez l'appareil et remontez-le selon les instructions d'**ASSEMBLAGE**.

### ENTREPOSAGE PENDANT L'ÉTÉ

- 1) Nettoyez l'appareil tel que décrit au chapitre Nettoyage et entretien.
- 2) Jetez le filtre à mèche usagé et l'eau résiduelle du réservoir. Ne jetez pas retenue mèche. Laissez l'appareil sécher complètement avant de le ranger. **N'entrez pas** l'appareil avec de l'eau résiduelle dans le réservoir.
- 3) N'entrez pas l'appareil dans un grenier ou un endroit où la température est élevée, sous peine de l'endommager.
- 4) Installez un nouveau filtre au début de la saison.

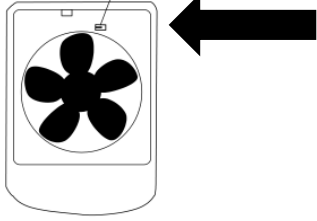
## LISTE DE PIÈCES DE RECHANGE



Élément n°	DESCRIPTION	831000 N° de pièce
1	Châssis	1B72844
2	Bâti du moteur	1B72628
3	Commande	NA
4	Moteur	NA
5	Pale de ventilateur	1B5060470
6	Tige du flotteur	1B72125
7	Dispositif de retenue de la tige du flotteur	1B5460590
8	Flotteur	1B5060400
9	Dispositif de retenue du filtre à mèche	4V3398020GRYP
10	Filtre à mèche	1043
11	Base	4V3395020
12	Roulettes (jeu de 4)	1B5460070
13	Manuel du propriétaire (non illustré)	1B72811

Veuillez commander par numéro de pièce et non pas par numéro d'élément. Pour commander des pièces par téléphone, appelez : 1-800-547-3888 ou visitez notre site Web: <http://store.essickair.com>.

## DÉPANNAGE

Problème	Cause probable	Solution
L'appareil ne fonctionne pas quel que soit le réglage de la vitesse.	L'appareil n'est pas alimenté.	Assurez-vous que la fiche polarisée est complètement insérée dans la prise murale.
	L'appareil est à court d'eau - le ventilateur ne fonctionne pas sans eau.	Remplissez le réservoir.
	Remplissage mal effectué/ensemble flotteur mal placé.	Assurez-vous que l'ensemble flotteur est correctement placé tel que décrit dans les instructions de remplissage, page 4.
Le moteur ne démarre pas.	Vérifiez le fonctionnement du moteur/ventilateur.	<b>MISE EN GARDE : Ne touchez pas le ventilateur lors de la réalisation de ce test car le moteur peut se mettre en marche.</b> Pour tester le moteur, mettez l'appareil <b>EN MARCHE</b> et tournez tous les boutons <b>À FOND</b> . Retournez le châssis et insérez un doigt dans la languette où la tige du flotteur est censée aller. Si le ventilateur se met en marche, le ventilateur et le moteur fonctionnent correctement.
	<p>DESSOUS DU BÂTI PRESSOSTAT</p> 	
	Si l'appareil a surchauffé, le fusible thermosensible du moteur peut avoir sauté.	Amenez l'appareil au centre d'entretien agréé. N'ESSAYEZ PAS d'effectuer les réparations électriques vous-même.
Pas assez d'humidité.	Le filtre à mèche est vieux et inefficace.	Remplacez le filtre à mèche en cas de colmatage ou d'accumulation de minéraux.
	Le réglage de l'humidostat n'est pas assez élevé.	Augmentez le réglage de l'humidité sur le panneau de commande.
Trop d'humidité (de la condensation s'accumule dans les recoins de la pièce).	Le réglage de l'humidostat est trop élevé.	Diminuez le réglage de l'humidostat ou augmentez la température de la pièce.
Fuite d'eau	La base a peut-être été trop remplie. Il y a un orifice de trop-plein à l'arrière de la base.	<b>NE REMPLISSEZ PAS TROP</b> la base. Le niveau d'eau correct est indiqué à l'intérieur de la paroi latérale de la base.
Odeur	Des bactéries peuvent être présentes.	Nettoyez et désinfectez la base en suivant les instructions de nettoyage et d'entretien.
		Ajoutez un agent bactériostatique agréé par l'EPA conformément aux instructions figurant sur le récipient.  Il peut être nécessaire de remplacer le filtre à mèche si l'odeur persiste.

**POLÍTICA DE GARANTÍA LIMITADA DE DOS AÑOS**  
**PARA CUALQUIER RECLAMO RELACIONADO CON LA GARANTÍA**  
**ES NECESARIO PRESENTAR EL RECIBO COMO PRUEBA DE**  
**COMPRA**

Esta garantía se extiende solo al comprador original de este humidificador, siempre y cuando la unidad sea instalada y utilizada en condiciones normales, contra defectos de fabricación y materiales como se detalla a continuación:

- Dos (2) años a partir de la fecha de la venta de la unidad y
- Treinta (30) días para mechas y filtros, que se consideran componentes desechables y deben reemplazarse periódicamente.

El fabricante reemplazará la parte o producto defectuoso, según lo crea conveniente, y se hará cargo de los gastos de envío de la devolución al cliente. Se acuerda que el reemplazo es la única solución que el fabricante tiene disponible. ASIMISMO, HASTA EL GRADO MÁXIMO PERMITIDO POR LA LEY, EL FABRICANTE NO SE HACE RESPONSABLE POR LOS DAÑOS DE CUALQUIER TIPO, INCLUIDOS DAÑOS INCIDENTALES Y EMERGENTES, O LA PÉRDIDA DE GANANCIAS O INGRESOS.

Algunos estados no permiten limitaciones con respecto a cuánto tiempo dura una garantía implícita, por lo tanto es posible que las limitaciones detalladas anteriormente no se apliquen a usted.

**Exclusiones de esta garantía**

No nos responsabilizamos por el reemplazo de mecheros y filtros.

No nos responsabilizamos por cualquier tipo de daños accidentales o resultantes, producto de cualquier tipo de mal funcionamiento, accidente, mal uso, alteraciones, reparaciones no autorizadas, abuso, incluidos la falta de mantenimiento razonable, uso o desgaste normal, ni en situaciones donde el voltaje conectado sea un 5% mayor al indicado por la placa indicadora.

Las alteraciones que puede sufrir el producto incluyen la sustitución de componentes de marca, incluido, pero no limitado al tratamiento de bacterias y mechas del humidificador.

No nos responsabilizamos por cualquier daño provocado por el uso de suavizantes o tratamientos de agua, químicos o materiales de descalcificación.

No nos responsabilizamos por el costo de las llamadas al servicio para diagnosticar la causa del problema o el cargo de la mano de obra para reparar o reemplazar piezas.

Los empleados, agentes, distribuidores u otras personas no se encuentran autorizados a brindar garantías o condiciones en nombre del fabricante. El cliente será responsable por todos los costos de mano de obra incurridos.

*Esta garantía quedará sin validez si el comprador intenta reparar o reemplazar cualquier pieza mecánica o eléctrica.*

Algunos estados no permiten la exclusión o la limitación de daños incidentales o resultantes, por lo tanto es posible que las limitaciones o exclusiones detalladas anteriormente no se apliquen a usted.

**Cómo obtener servicio bajo esta garantía**

Dentro de las limitaciones de la presente garantía, el comprador que tenga unidades fuera de funcionamiento debe comunicarse con el servicio de atención al cliente al **800-547-3888** para obtener instrucciones sobre cómo obtener las piezas de repuesto dentro de la garantía, como se indica anteriormente..

Esta garantía le confiere al cliente derechos específicos. Además, el cliente puede gozar de otros derechos que varían según la provincia o el estado.

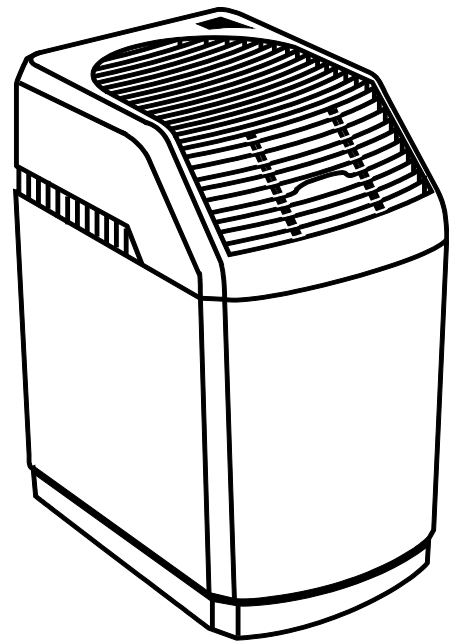
Registre su producto en [www.essickair.com](http://www.essickair.com) o [www.AIRCAREproducts.com](http://www.AIRCAREproducts.com).

# AIRCARE®

## AHORRADOR DE ESPACIO HUMIDIFICADOR POR EVAPORACIÓN

### MODELO 831000 GUÍA DE USO Y CUIDADO

- ▶ Humidistato automático
- ▶ Ventilador de tres velocidades
- ▶ Depósito de fácil llenado
- ▶ Cuatro ruedas



Inglés ..... 1  
Francés ..... 11



PARA ADQUIRIR PIEZAS Y ACCESORIOS LLAME AL 1.800.547.3888

LA COMODIDAD ESTÁ EN EL AIRE

# MEDIDAS DE SEGURIDAD IMPORTANTES

## Instrucciones generales de seguridad

### LÉALAS ANTES DE USAR SU HUMIDIFICADOR

**PELIGRO:** significa que si no se respeta la información de seguridad, alguien puede resultar seriamente herido o muerto.

**PRECAUCIÓN:** significa que si no se respeta la información de seguridad, alguien podría resultar seriamente herido o muerto.

**ADVERTENCIA:** significa que si no se respeta la información de seguridad, alguien podría resultar herido.

1. Para reducir el riesgo de incendio o descarga eléctrica, este humidificador posee un enchufe polarizado (una espiga es más ancha que la otra). Enchufe el humidificador directamente a un tomacorriente eléctrico de 120 V de corriente alterna (CA). No utilice cables prolongadores. Si el enchufe no encaja completamente en el tomacorriente, inviértalo. Si aún así no encaja, contacte a un electricista calificado para que instale el tomacorriente adecuado. No cambie el enchufe de ninguna manera.
2. Mantenga el cable fuera de las áreas de tránsito. Para reducir el riesgo de peligro de incendio, nunca coloque el cable debajo de alfombras, cerca de fuentes de calor, radiadores, cocinas o calentadores.
3. Desenchufe siempre la unidad antes de mover, limpiar o retirar la parte del módulo del ventilador del humidificador, o cuando no esté funcionando.
4. Mantenga el humidificador limpio. Para reducir el riesgo de lesiones, incendio o daños al humidificador, utilice solamente limpiadores recomendados específicamente para humidificadores. Nunca utilice materiales inflamables, combustibles o tóxicos para limpiar su humidificador.
5. No coloque objetos extraños dentro del humidificador.
6. No permita que la unidad se utilice como un juguete. Se debe prestar especial atención cuando es utilizado por o cerca de niños.
7. Para reducir el riesgo de peligro eléctrico o daño al humidificador, no lo mueva, sacuda ni incline mientras la unidad esté en funcionamiento.
8. Para reducir el riesgo de descargas eléctricas accidentales, no toque el cable ni los controles con las manos húmedas.
9. Para reducir el riesgo de incendio, no lo utilice cerca de una fuente de fuego abierta, como una vela u otra fuente de fuego.

**PRECAUCIÓN:** Por su propia seguridad, si alguna parte faltara o estuviera dañada, no utilice el humidificador.

**PRECAUCIÓN:** Para reducir el riesgo de incendio, descarga eléctrica o daños, siempre desconecte la unidad antes de realizar el mantenimiento o la limpieza.

**PRECAUCIÓN:** Para reducir el riesgo de incendio o electrocución, no vierta ni derrame agua sobre la zona del motor o del control. Si se mojan los controles, déjelos secar completamente y haga revisar la unidad por personal de mantenimiento autorizado antes de conectarla.

## INTRODUCCIÓN

Su nuevo humidificador añade humedad invisible a su hogar desplazando aire seco a través de una mecha saturada. A medida que el aire atraviesa la mecha, el agua se evapora en el aire, dejando atrás polvo blanco, minerales o sólidos disueltos o suspendidos. Debido a que el agua se evapora, queda solamente aire húmedo, limpio e invisible.

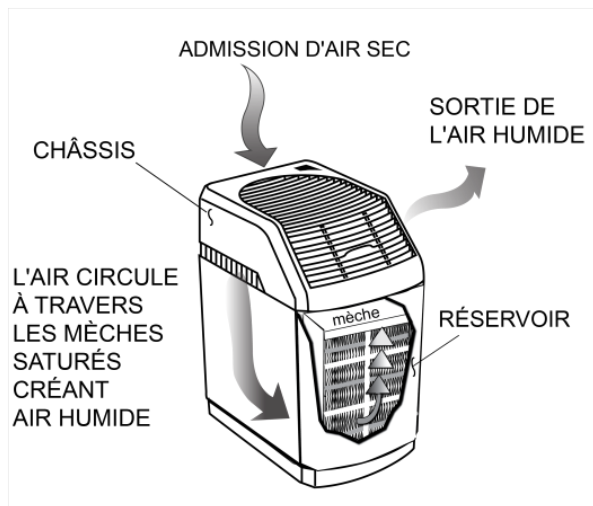
A medida que la mecha de evaporación atrapa los minerales acumulados en el agua, se reduce su capacidad de absorber y evaporar agua. Se recomienda cambiar la mecha al comienzo de la estación. En áreas de aguas duras, deberá reemplazarla con más frecuencia para mantener la eficiencia de su humidificador.

Utilice únicamente mechas de repuesto y químicos AIRCARE® o Essick Air®. Para solicitar piezas, mechas y químicos llame al 1-800-547-3888. Los humidificadores de la serie 800 usan mechas N° 1043. Sólo la mecha de evaporación AIRCARE o Essick Air garantiza el rendimiento certificado de su humidificador. El uso de mechas de otras marcas anula la certificación de rendimiento y puede anular su garantía.

## FUNCIONAMIENTO DE SU HUMIDIFICADOR

El aire seco se introduce en la parte superior del humidificador, y luego el aire se humedece a medida que pasa por la mecha saturada de evaporación en el depósito.

El aire humidificado entonces se desplegaron en la sala a través de la parrilla inferior delantera.

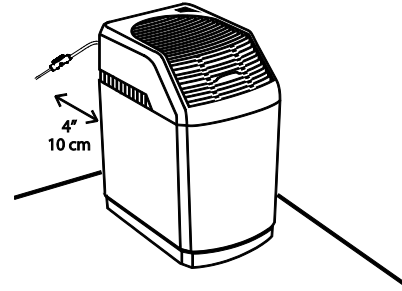


Descripción	831000
*Rendimiento en 24 horas	Hasta 9 galones
Capacidad de agua	6 galones
Cobertura en pies cuadrados	Hasta 2700 (construcción estanca)
Velocidades del ventilador	3
Mecha de repuesto	N° 1043
Humidistato ajustable	Sí
Indicación de rellenado	Sí
Controles	Digital
Ruedas	Sí (4)
Cumple con ETL Listed	Sí
Voltios	120
Hercios	60
Vatios	70

\* Con base en una zona construcción estanca y una altura de 8 ' de techo ANSI / AHAM HU-1-1997. SEC. 8.1. Los resultados pueden variar.

## NOTAS SOBRE LA UBICACIÓN:

Con el fin de conseguir un uso más efectivo del humidificador, es importante colocar la unidad donde se requiera la mayor cantidad de humedad o en el lugar de la casa donde circulará la mayor cantidad de aire; por ejemplo, cerca de un retorno de aire frío. Si la unidad se coloca cerca de una ventana, puede formarse condensación en el cristal de la ventana. Si esto sucede, se debe colocar la unidad en otro lugar.



NO sitúe la unidad directamente delante de un conducto de aire caliente o radiador.

NO coloque la unidad sobre una alfombra mullida.

Debido a que el humidificador emite aire frío y húmedo, se recomienda orientar la dirección del aire lejos del termostato y de las rejillas de aire caliente. Garantice un flujo de aire libre alrededor del termostato (Ubicado en el cable de alimentación.)

Coloque el humidificador cerca de una pared interna en un lugar nivelado a 10 centímetros de distancia, como mínimo, de la pared o de las cortinas.

## MONTAJE

- 1) Desembale el humidificador.
- 2) Retire todo el material de embalaje. Compruebe que haya retirado todos los siguientes elementos de las cajas, el kit de accesorios y el gabinete antes de deshacerse de los embalajes:
  - La mecha de evaporación y el retenedor de mecha
  - Varilla de levantamiento con flotador de espuma de poliestireno
  - Kit de ruedas
  - Manual

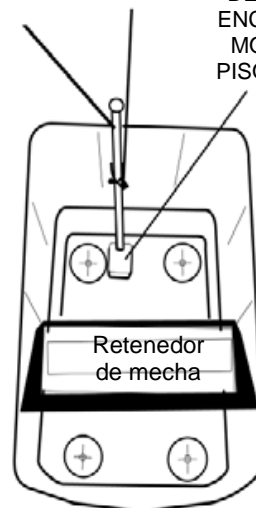
## RUEDAS

- 3) Coloque el gabinete vacío boca abajo. Introduzca el eje de cada rueda en uno de los cuatro orificios de las ruedas en el ángulo de la base del humidificador. Las ruedas deben encajar perfectamente e insertarse hasta que el tope del eje alcance la superficie del gabinete.
- 4) Coloque el gabinete boca arriba.

## MECHA DE EVAPORACIÓN

- 5) Vuelva a colocar el conjunto del flotador y la varilla de levantamiento en el área de caja en la parte inferior del interior del gabinete. Deslice la varilla de levantamiento en el anillo de retención y gírelo para fijarlo. La varilla de levantamiento debe ser capaz de moverse libremente hacia arriba y hacia abajo alrededor de 3/8" (1 cm). El anillo de retención debe estar ubicado entre las dos nervaduras de la varilla de levantamiento.
- 6) Coloque nuevamente el conjunto de mecha en las guías del fondo del gabinete y las nervaduras que se encuentran a los lados.

VARILLA DE FLOTACIÓN      ANILLO DE RETENCIÓN      EL FLOTADOR DE ESPUMA DE POLIESTIRENO ENCAJA EN LA CAJA MOLDEADA EN EL PISO DEL DEPÓSITO



- 7) Coloque el armazón en el gabinete asegurándose de que el mismo se asiente correctamente en los bordes ranurados delanteros y traseros



## PUERTA DE LLENADO

**ADVERTENCIA:** Antes de realizar el llenado, asegúrese de que la unidad esté **APAGADA**.

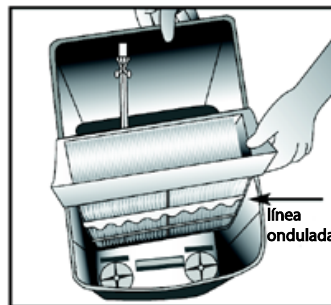
- 8) Llenar con agua el depósito de agua hasta el nivel señalado en el conjunto de la estructura del filtro/mecha y la etiqueta "Fill to Here" (Llenar hasta aquí) que se encuentra en la pared lateral del gabinete. No sobrepasar esta marca. Al llenar por primera vez, la capacidad del depósito es de 6 galones.

**OBSERVACIÓN:** Cuando se llene el depósito por primera vez y el filtro/mecha esté aún seco llevará cerca de 20 minutos vaciar la botella en el depósito. Después de que se haya vaciado el depósito, debe llenarse nuevamente para lograr el tiempo máximo de funcionamiento.

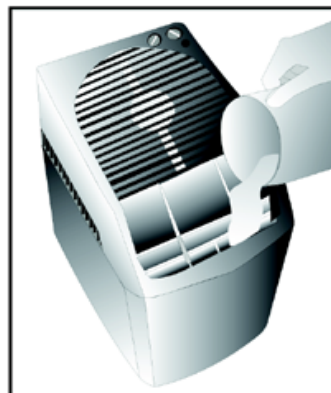
**OBSERVACIÓN:** Cuando el depósito esté vacío, el ventilador del humidificador se apagará automáticamente pero volverá a encenderse de manera automática cuando el depósito se llene nuevamente.

- 9) Apague la impresora, vuelva a llenar, a continuación, apague unidad de nuevo.

**NOTA:** Se recomienda utilizar el Tratamiento Antibacteriano AIRCARE® o Essick Air® cuando rellene el depósito de agua para eliminar el desarrollo de bacterias. Añada el bactericida según las instrucciones del envase.



Nota: la línea ondulada es el indicador de nivel de llenado. No sobrepasar esta marca.



**NOTA:** En ninguna circunstancia debe usted usar productos de tratamiento de agua diseñados para humidificadores de rotocorrea o ultrasónicos.

## ACERCA DE LA HUMEDAD

El punto en el que ajuste los niveles de humedad deseados depende de su nivel de comodidad personal, la temperatura exterior y la temperatura interior.

**NOTA:** Pruebas recientes de los CDC muestran que las posibilidades de transmisión de la gripe se reducen en gran medida a niveles de 43% de humedad.

Es posible que desee comprar un higrómetro para medir el nivel de humedad en su hogar. El siguiente es un diagrama de ajustes de humedad recomendados.

**IMPORTANTE:** El agua puede producir daños si comienza a formarse condensación en ventanas o paredes. Debe disminuirse el punto de AJUSTE de la humedad hasta que ya no se forme condensación. Se recomienda que los niveles de humedad de la habitación no excedan el 50%.

Cuando la temperatura exterior es de:		La humedad relativa (HR) interior recomendada es del
°F	°C	
-20	-30°	15 - 20%
-10°	-24°	20 - 25%
2°	-18°	25 - 30%
10°	-12°	30 - 35%
20°	-6°	35 - 40%
30°	-1°	40 - 45%

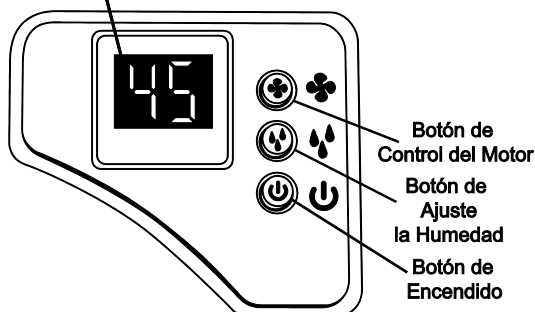
\* Modelo 1990 higrómetro digital está disponible para su compra llamando al 1-800-547-3888.

**NOTA:** Las lecturas del higrómetro externos y lecturas humidistato pueden ser diferentes. Los niveles e humedad pueden variar significativamente, incluso en una habitación

# OPERACIÓN

**Nota** Coloque el humidificador cerca de una pared interna en un lugar nivelado a 10 centímetros de distancia, como mínimo, de la pared o de las cortinas.

Panel de control: Exhibición de la humedad  
Indicación del relleno (destella "F")



- 1) Enchufar el cable al receptáculo de la pared. Su humidificador está pronto para el uso.

**OBSERVACIÓN:** La modelo tienen un humidistato automático. El humidistato prenderá el humidificador cuando la humedad relativa de su hogar sea inferior a la del humidistato y lo apagará cuando la humedad relativa alcance la del humidistato.

## PANEL DE CONTROL

Dependiendo del modo seleccionado, el panel de control mostrará humedad relativa, velocidad de ventilador, humedad deseada e indica cuándo unidad es fuera de agua.

### AJUSTE DE HUMEDAD.

En la instalación inicial se visualizará la humedad relativa del ambiente.

- 2) Cada vez que pulse el botón de control de humedad, se aumentará la configuración en incrementos del 5%. En el punto de ajuste de 65%, la unidad funcionará constantemente.

### VELOCIDAD DEL VENTILADOR

- 3) Pulse el botón de encendido y seleccione la velocidad del ventilador: F1 (baja), F2 (medio) y F3 (alta).

**NOTA:** Se recomienda disminuir la velocidad cuando exista una condensación excesiva.

**ADVERTENCIA:** Desconecte el suministro de energía antes de realizar el llenado, la limpieza o el mantenimiento de la unidad. Mantenga la rejilla seca en todo momento.

### OTRAS FUNCIONES / INDICACIONES

- 4) Este humidificador tiene un recordatorio de verificación del filtro que aparecerá después de las 720 horas de uso. Cuando aparece el mensaje de Verificación de filtro (CF, por sus siglas en inglés), desenchufe el cable y verifique el estado del filtro. El mensaje CF se reiniciará cuando se vuelva a conectar el humidificador.

### AUTO MODO DE SECADO

También en este momento, la unidad cambiará automáticamente al AUTOMODO DE SECADO y continuará funcionando a la velocidad más baja hasta que el filtro se seque.. El ventilador se apagará, dejando un humidificador seco que es menos propenso al crecimiento de moho y verdín

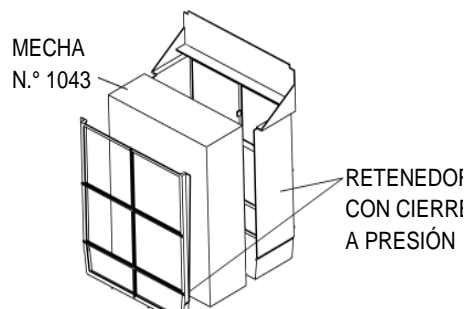


## REEMPLAZO DE LA MECHA

**ADVERTENCIA:** Antes de cambiar la mecha, asegúrese de que la unidad esté **APAGADA** y **desenchufada**.

**NOTA:** Esta unidad utiliza el modelo de mecha 1043. Reemplace la mecha al comienzo de cada estación, y con mayor frecuencia en áreas con aguas duras.

- 1) Para reemplazar la mecha, retire el retenedor con la mecha fuera de la unidad. Coloque el retenedor en la parte posterior y desabroche la rejilla frontal del marco de retención. Extraiga y deseche la mecha usada. No deseche retenedor de mecha.
- 2) Inserte la nueva mecha en el marco y vuelva a instalar la rejilla frontal de retención.



## CUIDADO Y MANTENIMIENTO

**Limpiar frecuentemente su humidificador ayuda a eliminar los olores y el desarrollo de hongos y bacterias.** El blanqueador doméstico común es un buen desinfectante y se puede usar para repasar la base del humidificador, la botella y el depósito después de limpiarlos. Recomendamos limpiar su humidificador al menos una vez cada dos semanas para mantener las condiciones ambientales óptimas para su hogar. **Asimismo se recomienda utilizar el Tratamiento Antibacteriano AIRCARE® o Essick Air® cada vez que rellene su humidificador para eliminar el desarrollo de bacterias.** Añada el bactericida según las instrucciones del envase. Para adquirir el Tratamiento Antibacteriano (N.º de referencia 1970), comuníquese al 1-800-547-3888.

- 1) Apague la unidad completamente y desconéctela del tomacorriente.
- 2) Retire el armazón.
- 3) Traslade la base a un lavabo. Levante la mecha de la base para permitir que se escurra el agua y retire el conjunto del flotador de la mecha. Enjuague la mecha únicamente con agua dulce. No utilice jabón, detergente ni cualquier otro producto de limpieza en la mecha. Deje escurrir en la piletta.

### ELIMINACIÓN DEL SARRO

- 4) Vierta cualquier resto de agua del depósito. Llene el depósito por la mitad con agua y añada 250 cc (una taza) de vinagre blanco sin diluir. Deje reposar durante 20 minutos.
- 5) Humedezca un paño suave con vinagre blanco sin diluir y repase el depósito para eliminar el sarro. Enjuague completamente el envase de agua y el depósito con agua limpia para eliminar el sarro y la solución de limpieza antes de la desinfección.

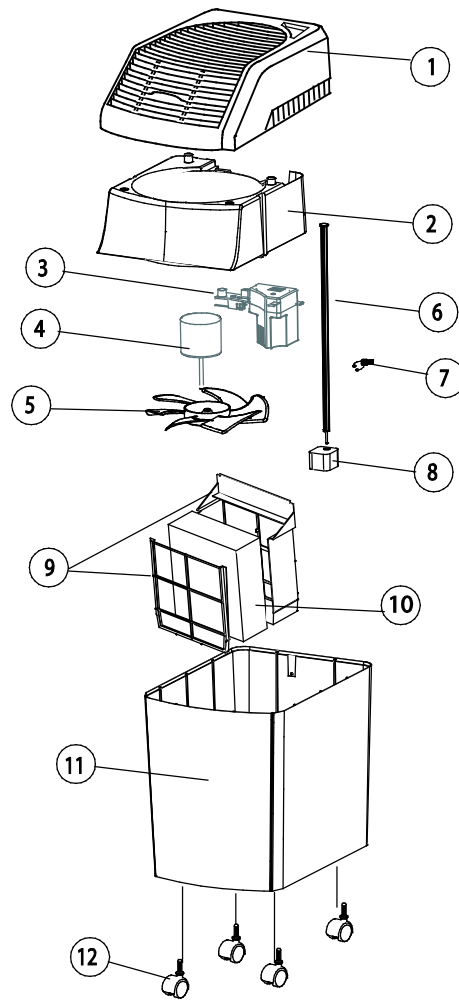
### DESINFECCIÓN DE LA UNIDAD

- 6) Llene el depósito por la mitad con agua y añada una cucharadita de blanqueador. Deje actuar la solución durante 20 minutos. Luego, enjuague con agua hasta que el olor del blanqueador desaparezca. Seque las superficies interiores con un paño limpio. Limpie el exterior de la unidad con un paño suave humedecido en agua limpia.
- 7) Vuelva a montar y llenar la unidad de acuerdo con las **instrucciones de MONTAJE**.

### ALMACENAMIENTO DURANTE EL VERANO

- 1) Limpie la unidad como se describe en la sección Cuidado y mantenimiento.
- 2) Deseche la mecha usada y toda el agua que se encuentre en el depósito. No deseche retenedor de mecha. Deje secar completamente antes del almacenamiento. **No** guarde la unidad con agua en el depósito.
- 3) No guarde la unidad en un ático u otra zona de alta temperatura, ya que podrían producirse daños.
- 4) Instale un nuevo filtro al comienzo de la estación.

## LISTA DE PIEZAS DE REPUESTO

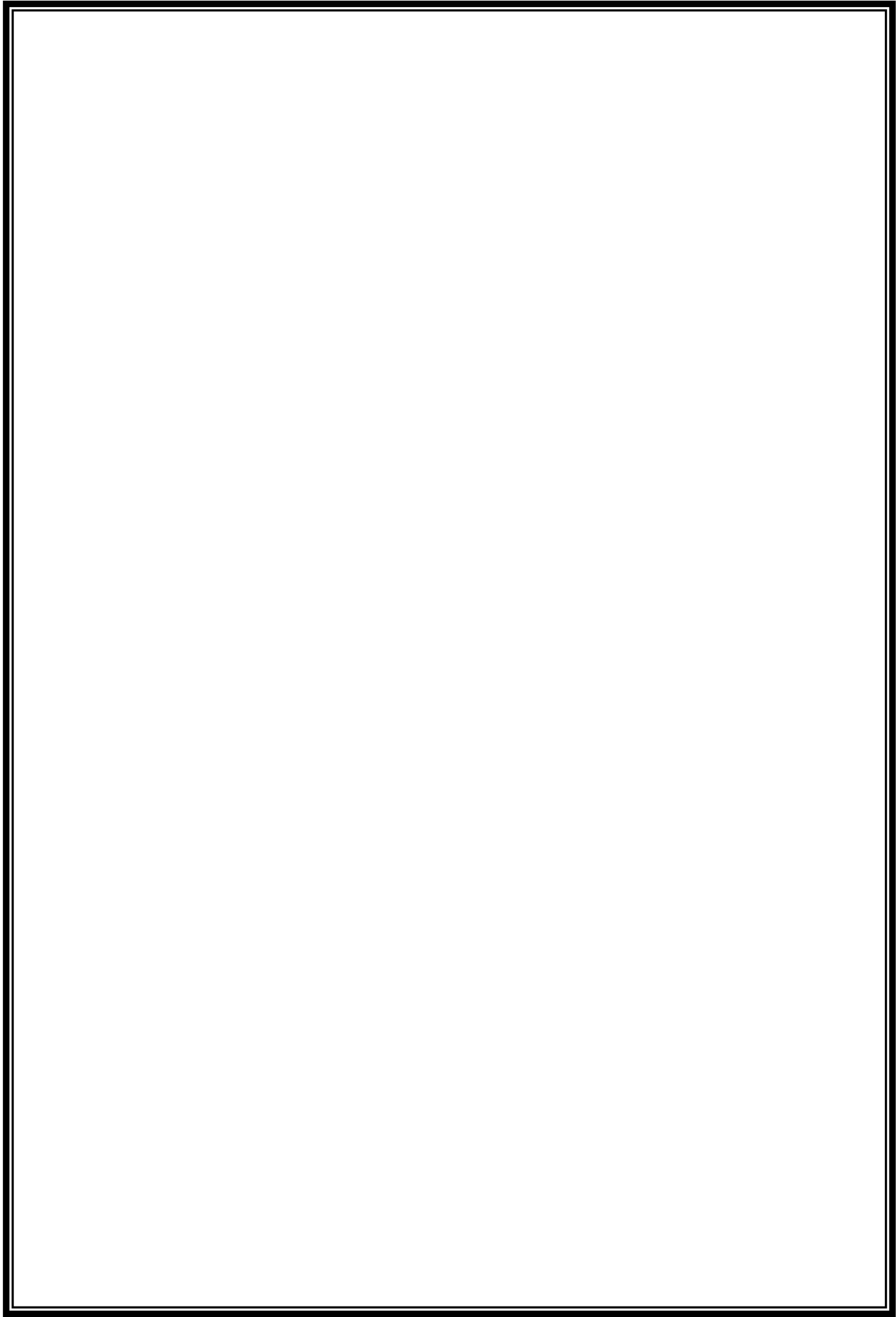


N.º DE ARTÍCULO	DESCRIPCIÓN	N.º DE PIEZA 831000
1	Chasis	1B72844
2	Soporte del motor	1B72628
3	Control	NA
4	Motor	NA
5	Aspa del ventilador	1B5060470
6	Varilla de flotación	1B72125
7	Retenedor de varilla de flotación	1B5460590
8	Flotador	1B5060400
9	Retenedor de mecha	4V3398020GRYP
10	Mecha	1043
11	Gabinete	4V3395020
12	Ruedas (4)	1B5460070
13	Manual del usuario (no se muestra)	1B72811

Realice los encargos por el número de pieza y no por el número de artículo.  
 Para solicitar piezas, llame al: 1-800-547-3888 o visite nuestro sitio web:  
<http://store.essickair.com>.

## GUÍA DE RESOLUCIÓN DE PROBLEMAS

Problema	Causa probable	Solución
La unidad no funciona en ningún ajuste de velocidad	No hay alimentación a la unidad.	Asegúrese de que el enchufe polarizado está completamente insertado en el tomacorriente.
	La unidad se ha quedado sin agua. El ventilador no funciona si no hay agua.	Rellene el depósito.
	Funcionamiento del repuesto del interruptor/colocación inadecuada del conjunto del flotador.	Asegúrese de que el conjunto del flotador esté posicionado correctamente, según se describe en las "Instrucciones de llenado importantes", en la página 4.
El motor no enciende.	Verifique el funcionamiento del motor y el ventilador. PARTE INFERIOR DEL ARMAZÓN INTERRUPTOR DE PRESIÓN 	<b>ADVERTENCIA: No toque el ventilador cuando lleve a cabo esta prueba, ya que se puede encender el motor.</b> Para probar el motor, enciéndalo y gire completamente todas las perillas al modo encendido.  Voltee el armazón e inserte un dedo en la lengüeta donde se supone que va la varilla del flotador. Si el ventilador se enciende, entonces el motor y el ventilador funcionan correctamente.
	Si la unidad se sobrecalentó, el fusible detector de temperatura del motor se puede haber desconectado.	Lleve la unidad a un centro de servicio autorizado. NO INTENTE realizar reparaciones eléctricas por sí mismo.
	La mecha instalada de forma incorrecta.	Vuelva a colocar la mecha correctamente
No hay suficiente humedad.	La mecha es vieja y no funciona con eficacia. El humidistato no está ajustado lo suficientemente alto.	Reemplace la mecha cuando esté obstruida o endurecida con minerales. Aumente el ajuste de humedad desde el panel de control.
	Hay demasiada humedad. (la condensación se vuelve pesada en superficies de la habitación con pliegues).	Reduzca el ajuste del humidistato o aumente la temperatura de la habitación.
Pérdida de agua	El gabinete puede estar excesivamente lleno. Hay un orificio de desborde de seguridad en la parte posterior del gabinete.	<b>NO LLENE EN EXCESO</b> el gabinete. El nivel de agua correcto se indica en el interior de la pared lateral del gabinete.
Olor	Puede haber presencia de bacterias.	Limpie y desinfecte el gabinete siguiendo las instrucciones de Cuidado y mantenimiento. Agregue el tratamiento de bacterias registrado por la EPA (Agencia de Protección Ambiental) según las instrucciones del envase. Si el olor persiste, tal vez sea necesario reemplazar la mecha.





# AIRCARE<sup>®</sup>

**ESSICK AIR PRODUCTS**

5800 MURRAY ST.  
LITTLE ROCK, AR. 72209

**[www.essickair.com](http://www.essickair.com)**

**1-800-547-3888**