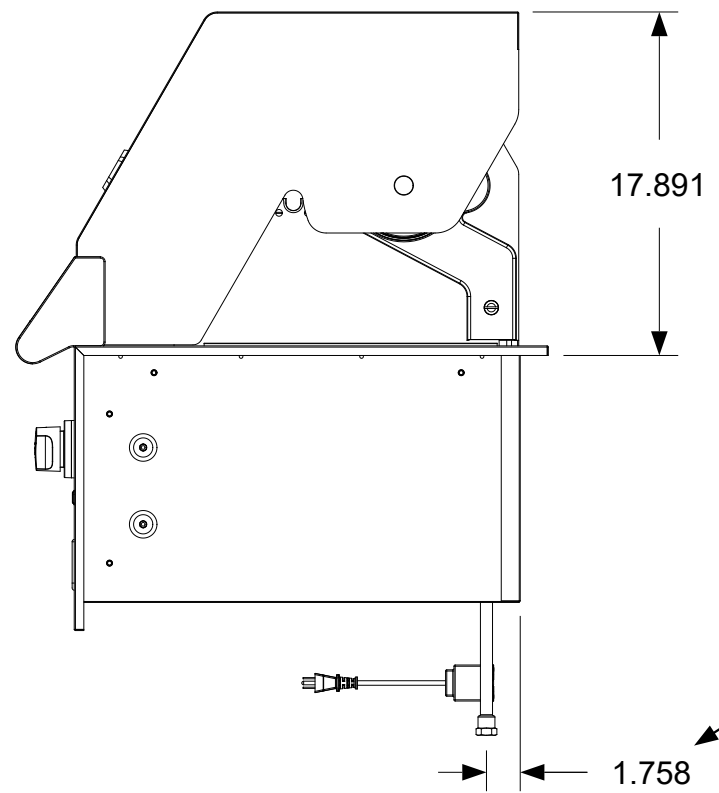
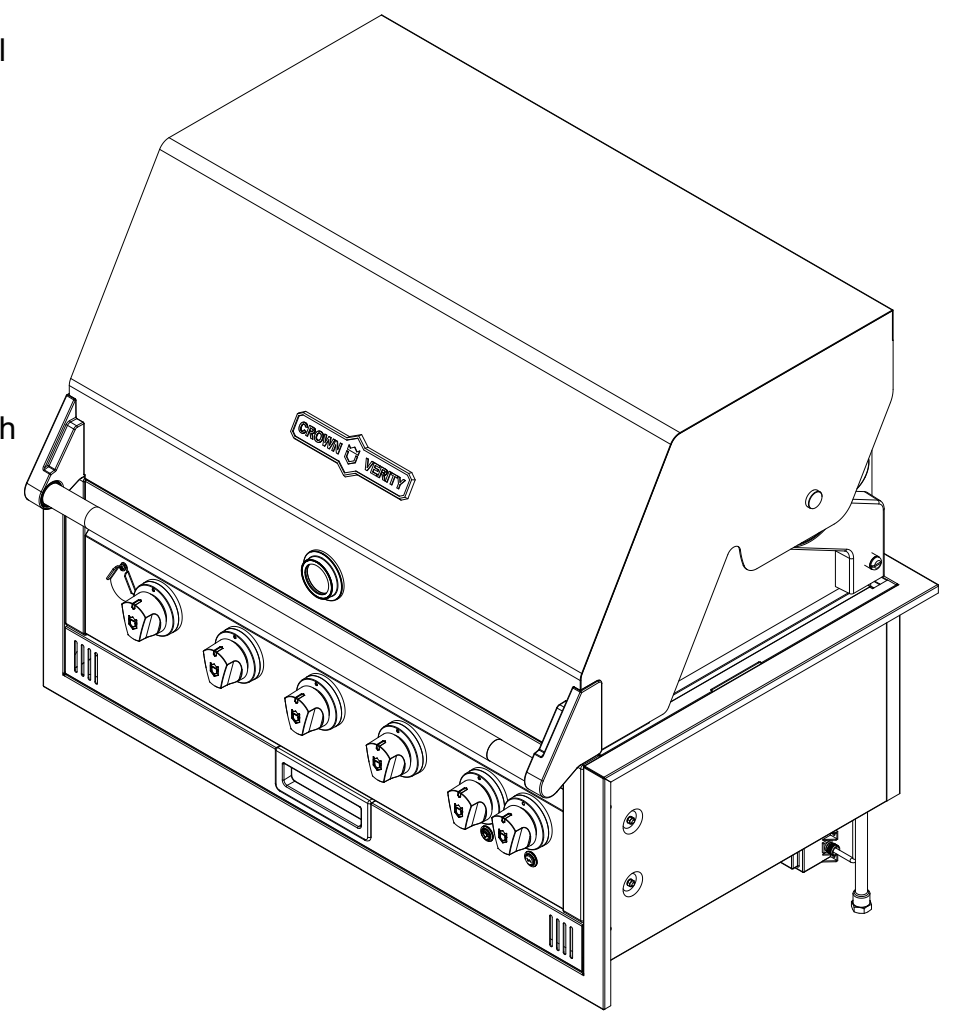
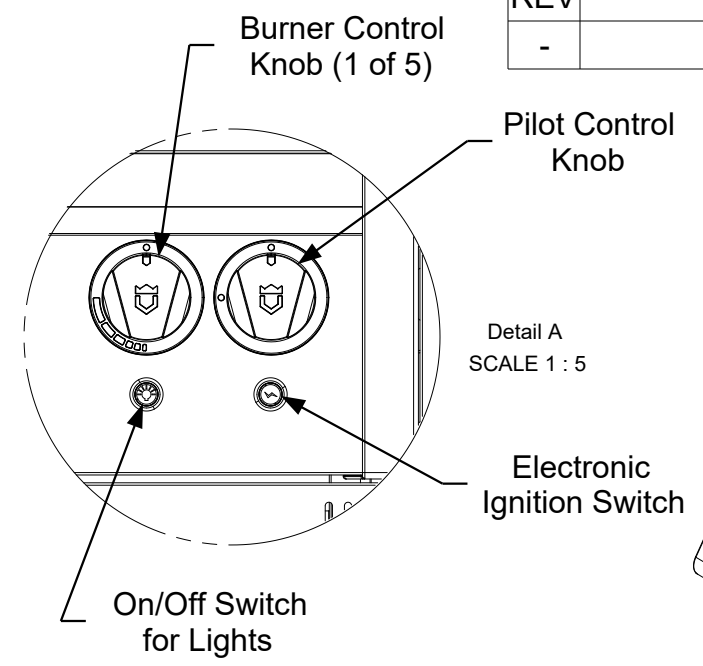
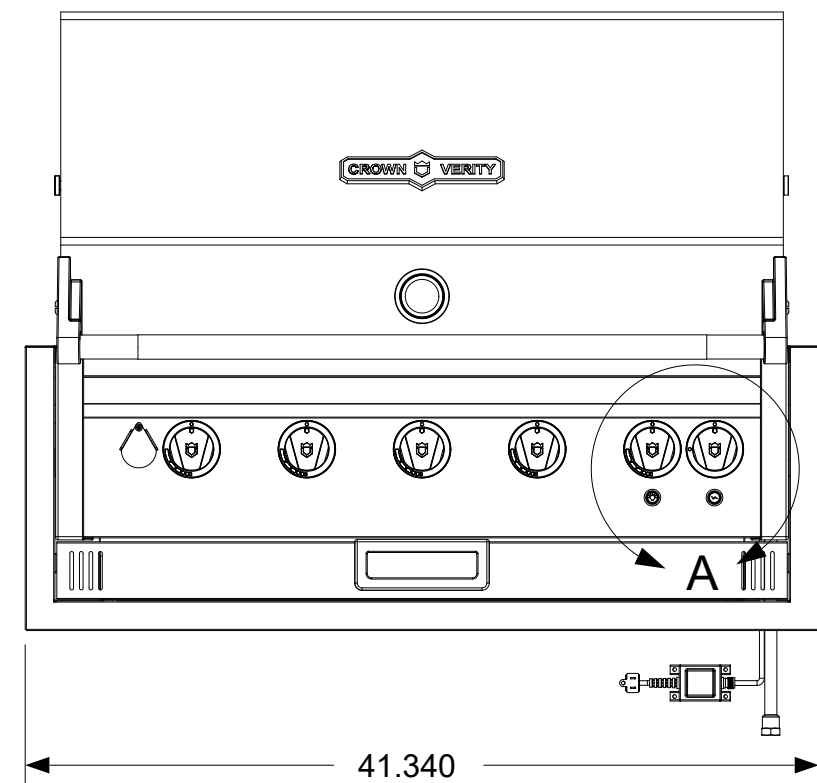
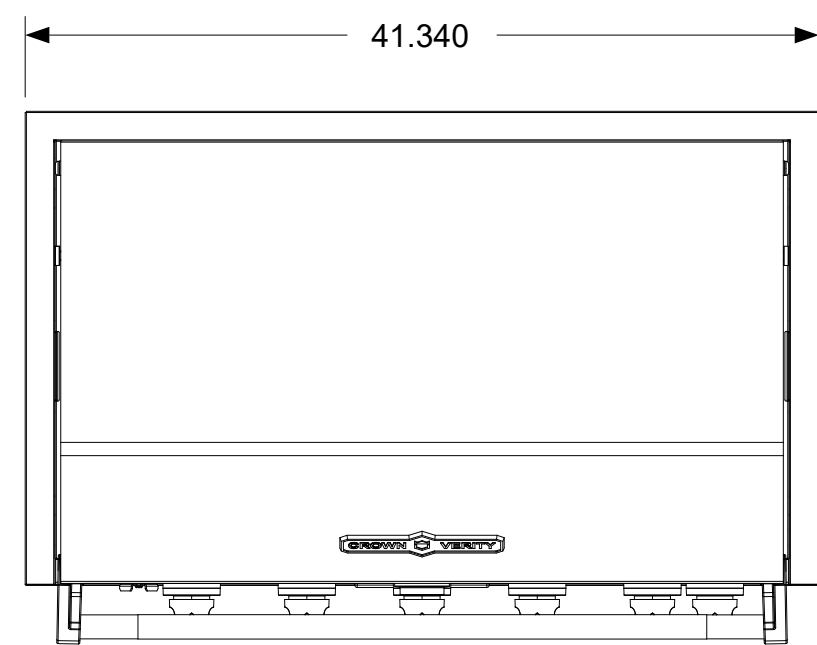


REVISION HISTORY

REV	DESCRIPTION	DATE	APPROVED
-	Engineering Release	01/16/2020	Todd Stone



Distance to gas and electrical connections

Image shown with optional IBI36FDLT light kit

The dimensions shown are the actual physical dimensions of the grill. Additional clearances to cabinetry are dependent on the tolerances of the cut-out. The suggested cut-out dimensions are listed in the chart below but these dimensions can be reduced if the tolerances are controlled.

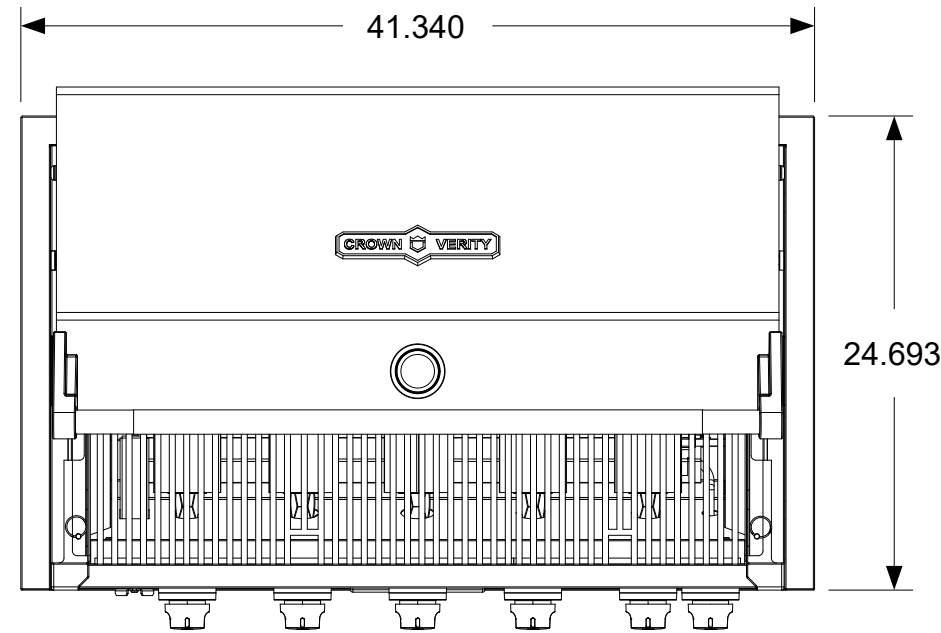
Please refer to the installation manual for additional clearances to combustibles.

Suggested Cut-out Dims		Dimensions are in inches Linear Tolerance: +/- .015 Bend Tolerance: +/- .020 Angular Tolerance: +/- 0.5 Radial Tolerance: +/- .005
Height	13.000	
Width	39.000	
Depth	23.000	
Material	SS 304	DRAWN BY: Todd Stone

CROWN VERITY

37 Adams Blvd., Brantford, Ontario, N3S 7V8
P: (519) 751-1800 www.crownverity.com

TITLE				Infinite 36 Inch Built-in Grill with Dome and Face Light Kit	
SIZE	Customer	DWG NO	REV		
B	Crown Verity	IBI36(NG/LP)	-		
SCALE	1:10	01/16/2020	SHEET	1 of 3	



The dimensions shown are the actual physical dimensions of the grill. Additional clearances to cabinetry are dependent on the tolerances of the cut-out. The suggested cut-out dimensions for the insulated jacket option are listed in the chart below but these dimensions can be reduced if the tolerances are controlled.

Please refer to the installation manual for additional clearances to combustibles.

REVISION HISTORY			
REV	DESCRIPTION	DATE	APPROVED
-	Engineering Release	01/16/2020	Todd Stone

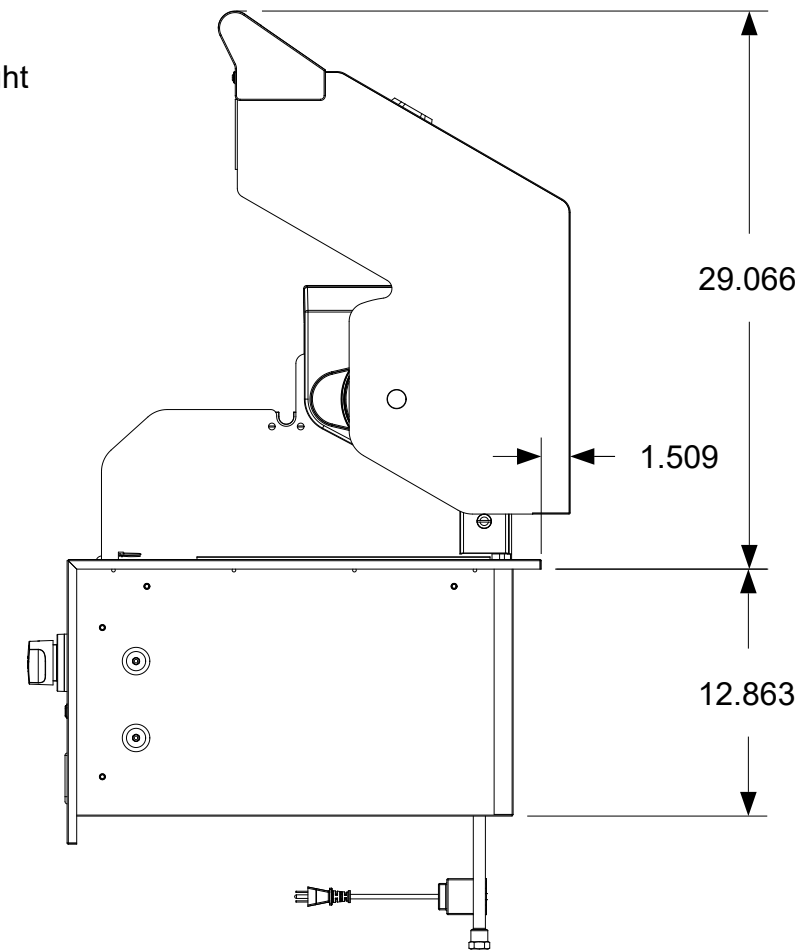
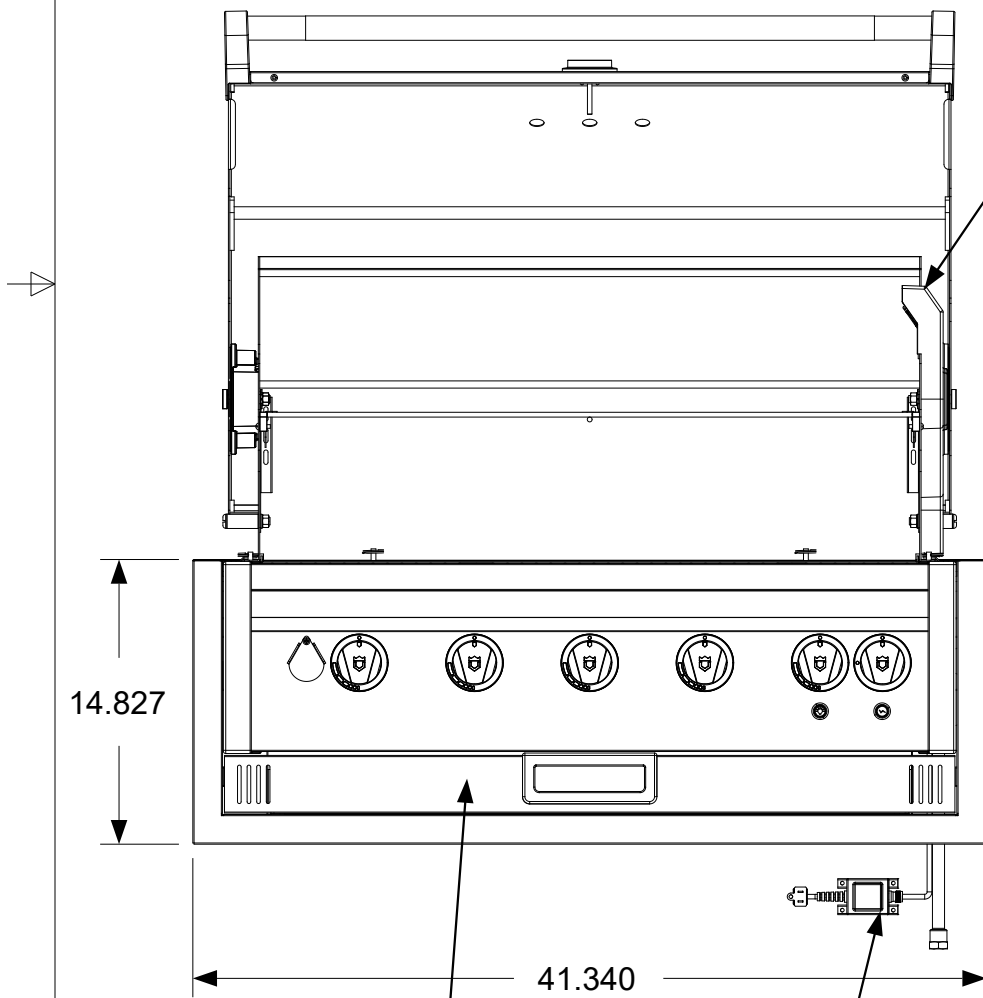
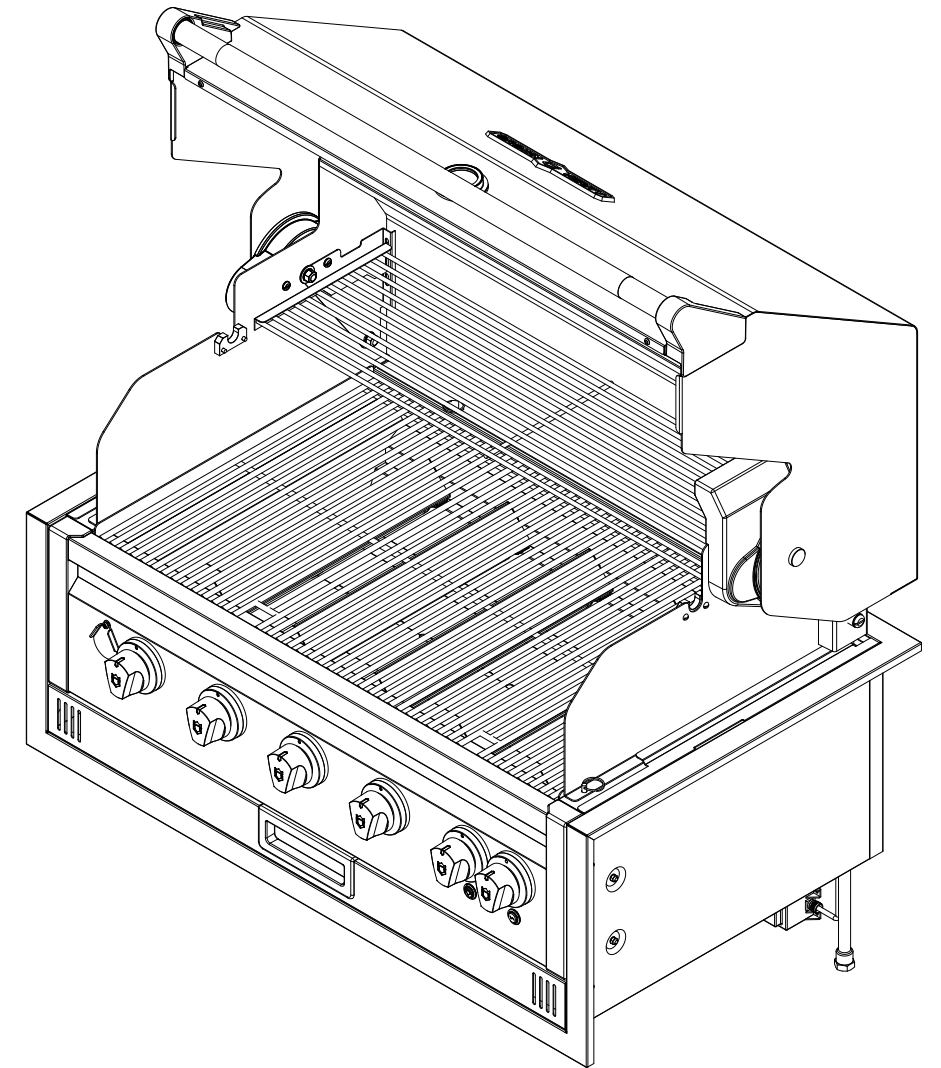


Image shown with optional IBI36FDLT light kit

CROWN VERITY

37 Adams Blvd., Brantford, Ontario, N3S 7V8
P: (519) 751-1800 www.crownverity.com

Suggested Cut-out Dims	
Height	13.000
Width	39.000
Depth	23.000
Material	SS 304

Dimensions are in inches
Linear Tolerance: +/- .015
Bend Tolerance: +/- .020
Angular Tolerance: +/- 0.5
Radial Tolerance: +/- .005

DRAWN BY: Todd Stone

TITLE **Infinite 36 Inch Built-in Grill with Dome and Face Light Kit**

SIZE	Customer	DWG NO	REV
B	Crown Verity	IBI36(NG/LP)	-

SCALE 1:10 01/16/2020 SHEET 2 of 3

REVISION HISTORY			
REV	DESCRIPTION	DATE	APPROVED
-	Engineering Release	01/16/2020	Todd Stone

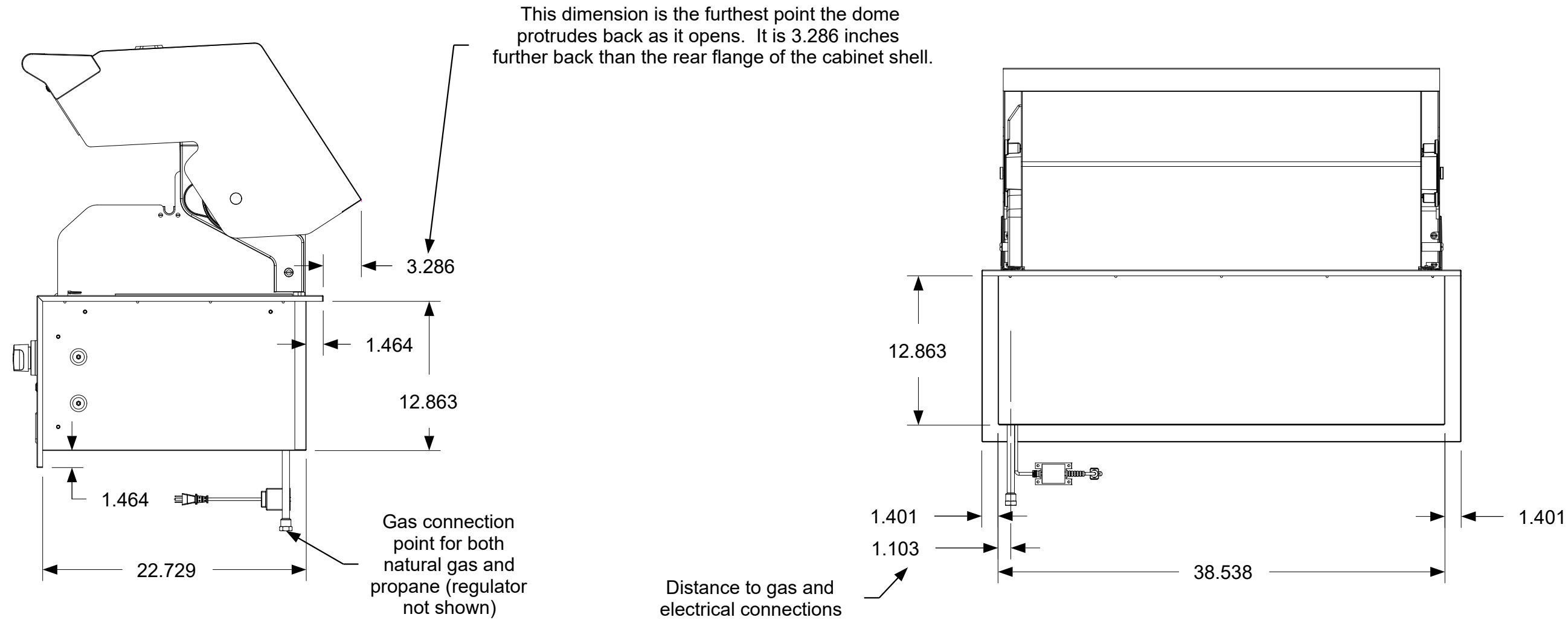


Image shown with optional IBI36FDLT light kit

The dimensions shown are the actual physical dimensions of the grill. Additional clearances to cabinetry are dependent on the tolerances of the cut-out. The suggested cut-out dimensions are listed in the chart below but these dimensions can be reduced if the tolerances are controlled.

Please refer to the installation manual for additional clearances to combustibles.

Suggested Cut-out Dims		Dimensions are in inches Linear Tolerance: +/- .015 Bend Tolerance: +/- .020 Angular Tolerance: +/- 0.5 Radial Tolerance: +/- .005
Height	13.000	
Width	39.000	
Depth	23.000	
Material	SS 304	DRAWN BY: Todd Stone

CROWN VERITY
 37 Adams Blvd., Brantford, Ontario, N3S 7V8
 P: (519) 751-1800 www.crownverity.com

TITLE Infinite 36 Inch Built-in Grill with Dome and Face Light Kit			
SIZE B	Customer Crown Verity	DWG NO IBI36(NG/LP)	REV -
SCALE 1:10	01/16/2020	SHEET 3 of 3	