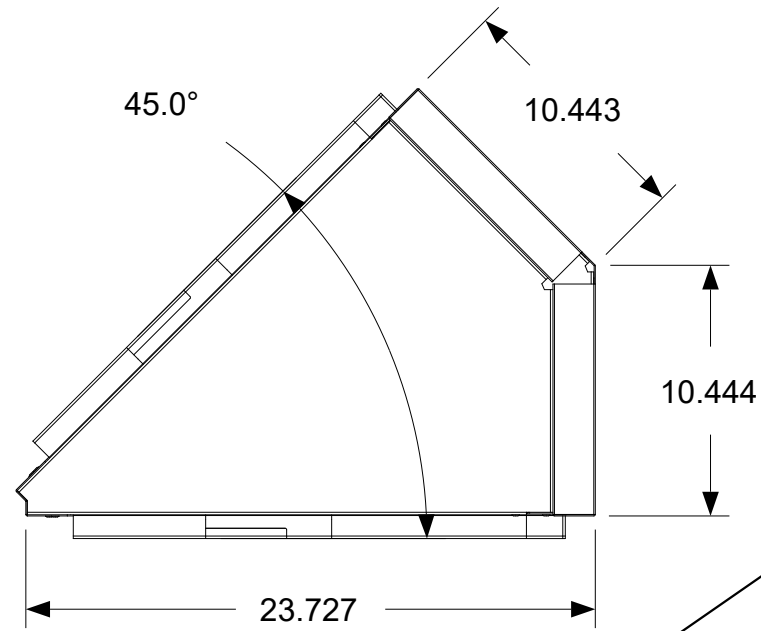
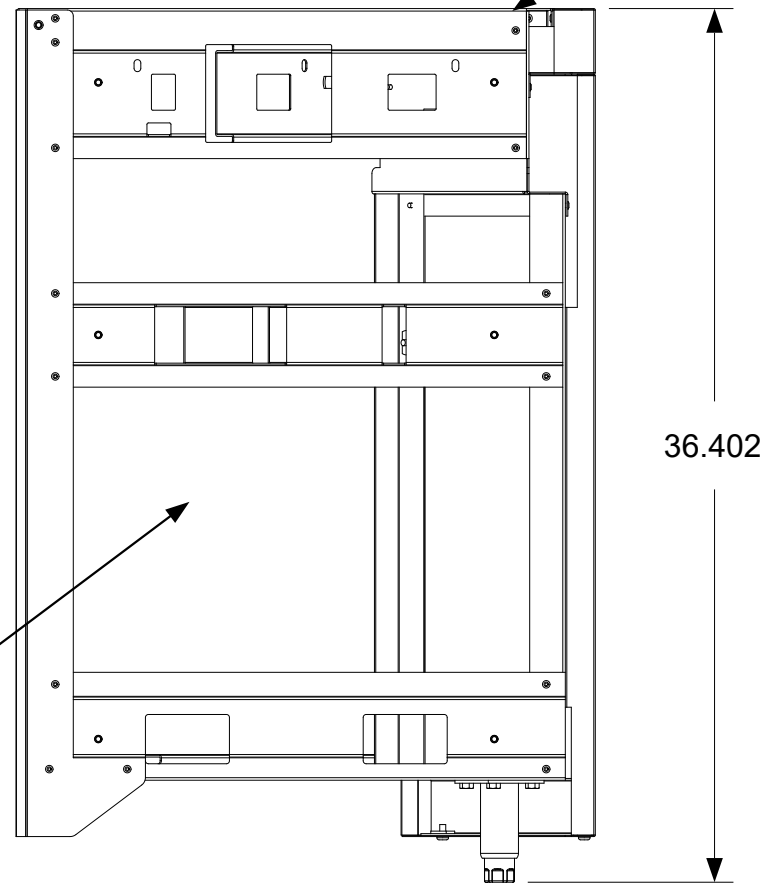
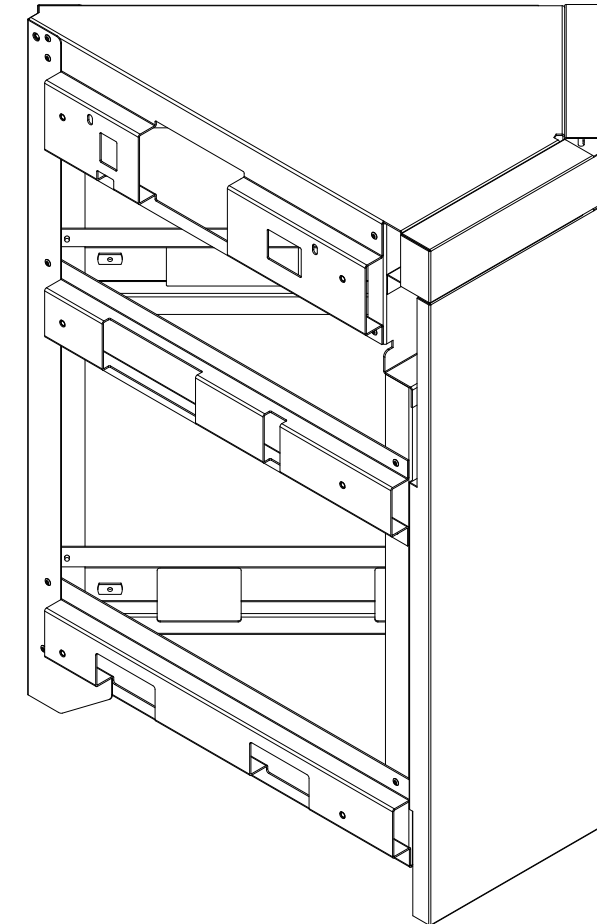


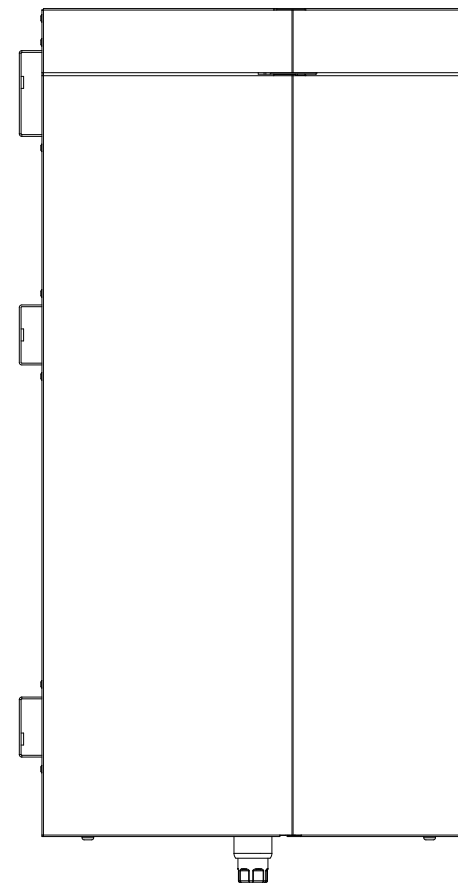
REVISION HISTORY			
REV	DESCRIPTION	DATE	APPROVED
-	Engineering Release	01/01/2020	Todd Stone



The top of the cabinet has been recessed one inch below the grill, side burner and sink modules to accommodate a one inch thick countertop material to be supplied by the customer.



This cabinet does not provide storage space. It is intended for angled connection purposes only



Removable Back Panel allows for cable and gas connection routing.

Adjustable leveling leg shown at lowest setting. Adjustment range is 2.125 inches. Only one leg is required as the cabinet is supported by the adjacent cabinets.

Gauge	N/A	Dimensions are in inches Linear Tolerance: +/- .015 Bend Tolerance: +/- .020 Angular Tolerance: +/- 0.5 Radial Tolerance: +/- .005
Weight (Kg)	N/A	
K Factor	N/A	
Finish	#4	
Material	SS 304	
DRAWN BY: Todd Stone		

CROWN VERITY
 37 Adams Blvd., Brantford, Ontario, N3S 7V8
 P: (519) 751-1800 www.crownverity.com

TITLE Infinite Series 45 Degree Cabinet			
SIZE B	Customer Crown Verity	DWG NO ICC45	REV -
SCALE 1:8	01/01/2020	SHEET	1 of 1