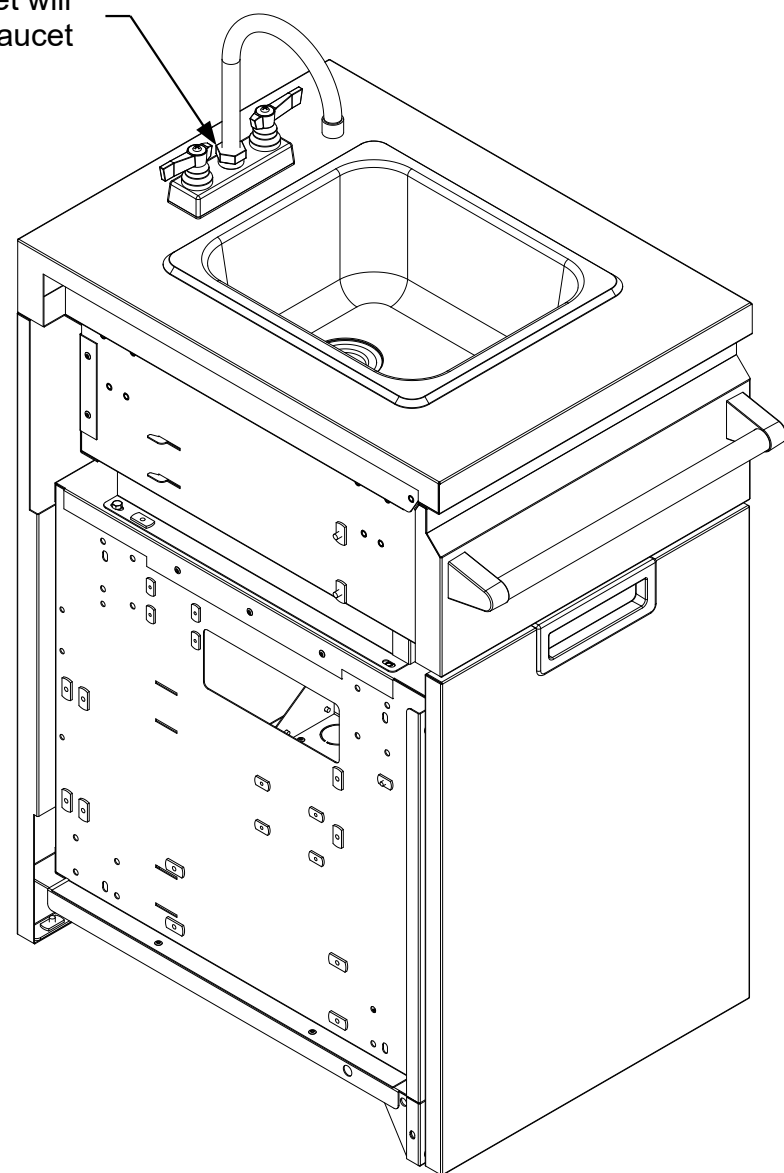


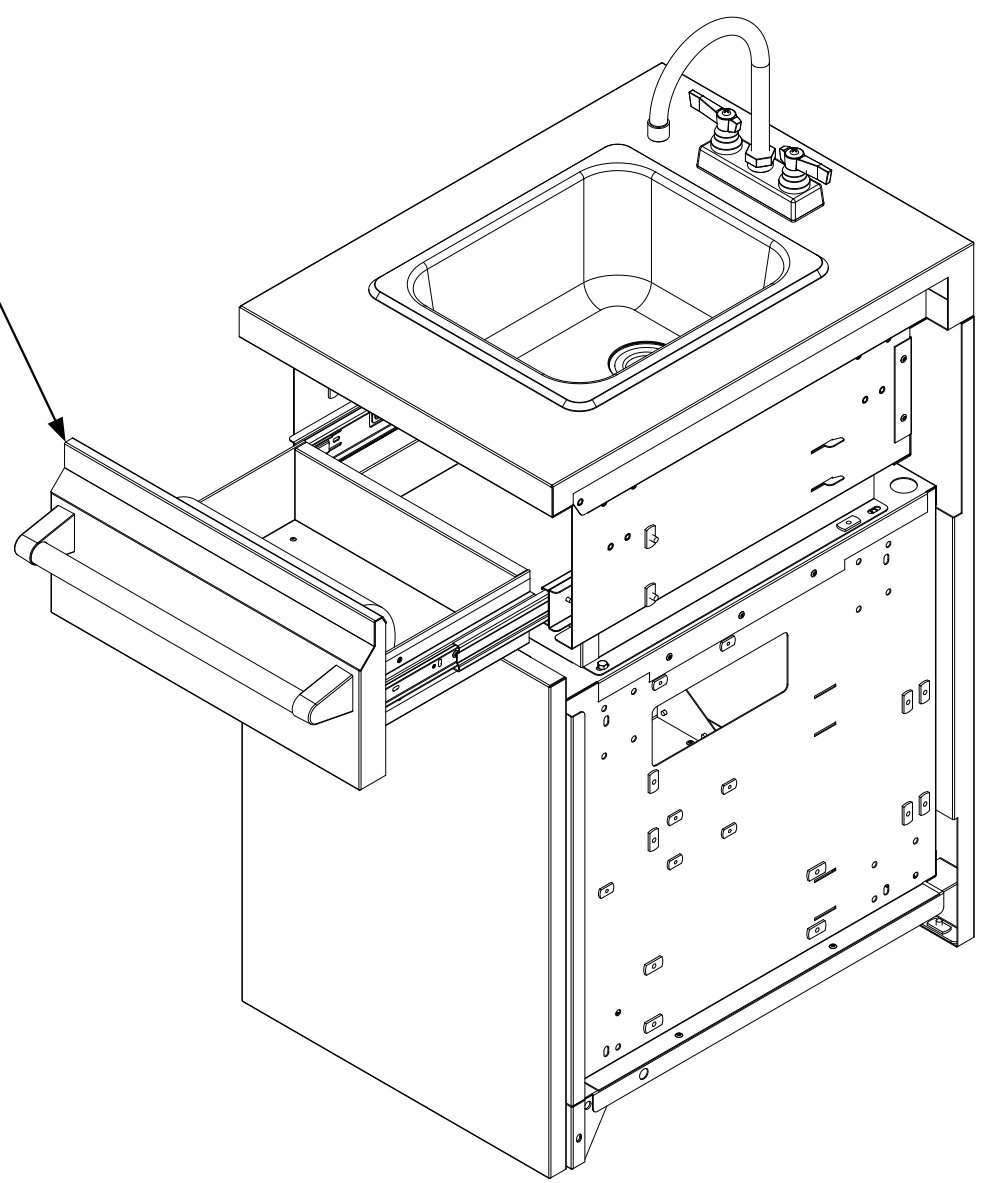
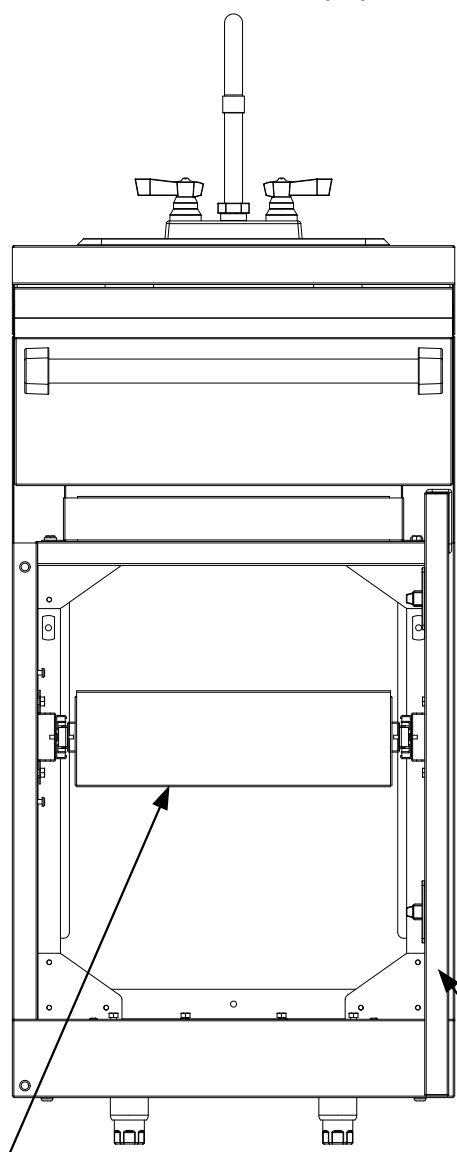


REVISION HISTORY			
REV	DESCRIPTION	DATE	APPROVED
-	Engineering Release	01/01/2020	Todd Stone

Standard faucet shown. Cabinet will support other faucet options



Pull out drawer with paper towel holder



Storage area below the sink with optional single drawer shown. If connecting directly to pressurized water and a waste water drain, optional drawer configurations are available at the time of ordering or can be installed at a later date. If purchased with the water heater option or the fresh and greywater tank options, drawer options are not available.

Door shown with righthand mounting option. Door hardware can be switched for lefthand mount.

CROWN VERITY

37 Adams Blvd., Brantford, Ontario, N3S 7V8
P: (519) 751-1800 www.crownverity.com

Gauge	N/A	Dimensions are in inches Linear Tolerance: +/- .015 Bend Tolerance: +/- .020 Angular Tolerance: +/- 0.5 Radial Tolerance: +/- .005
Weight (Kg)	N/A	
K Factor	N/A	
Finish	#4	
Material	SS 304	
DRAWN BY: Todd Stone		

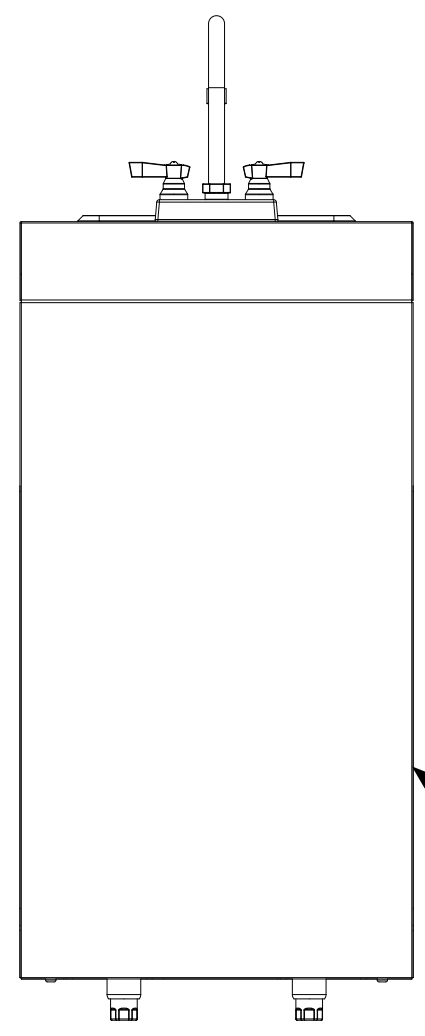
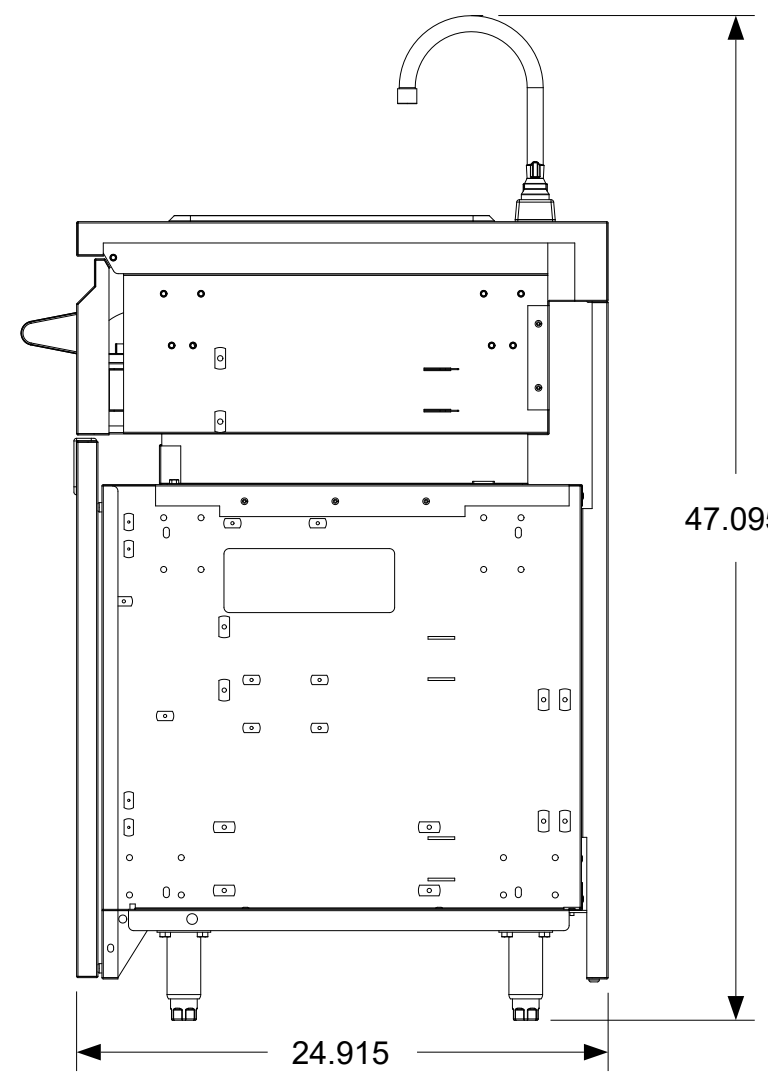
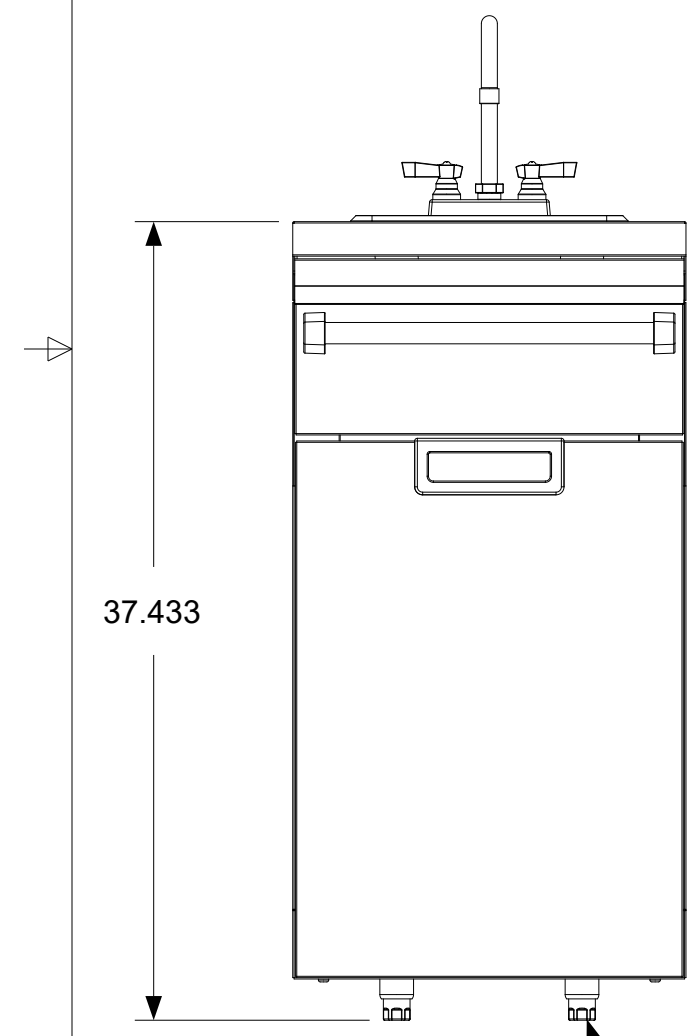
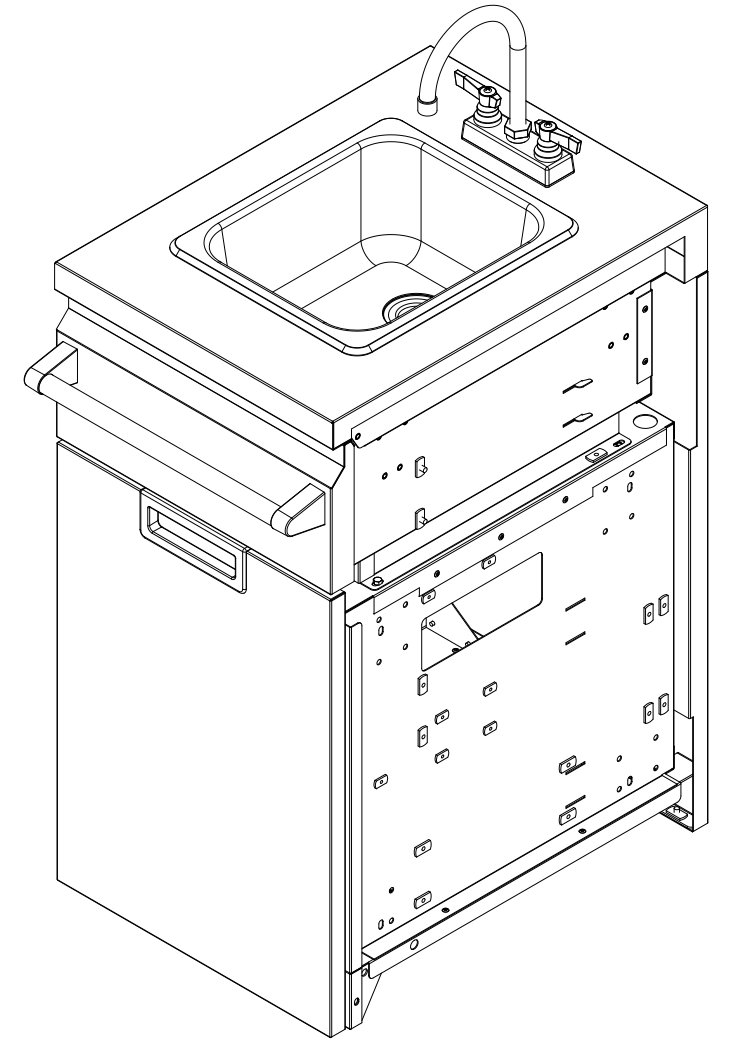
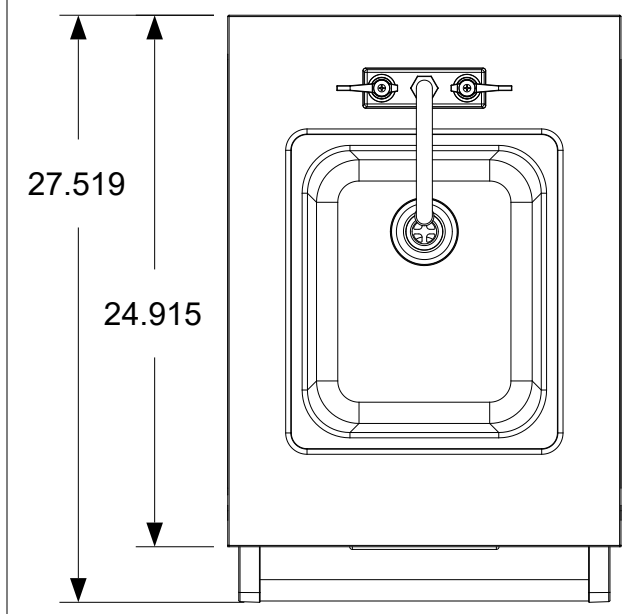
TITLE Infinite Series Cabinet Module with Sink and One Drawer			
SIZE B	Customer Crown Verity	DWG NO ICM-SK-1D	REV -
SCALE 1:8	01/01/2020	SHEET 1 of 2	





REVISION HISTORY

REV	DESCRIPTION	DATE	APPROVED
-	Engineering Release	01/01/2020	Todd Stone



Removable Back Panel

Adjustable leveling leg shown at lowest setting. Adjustment range is 2.125 inches.

Gauge	N/A	Dimensions are in inches Linear Tolerance: +/- .015 Bend Tolerance: +/- .020 Angular Tolerance: +/- 0.5 Radial Tolerance: +/- .005
Weight (Kg)	N/A	
K Factor	N/A	
Finish	#4	
Material	SS 304	
DRAWN BY: Todd Stone		

CROWN VERITY

37 Adams Blvd., Brantford, Ontario, N3S 7V8
P: (519) 751-1800 www.crownverity.com

TITLE			
Infinite Series Cabinet Module with Sink and One Drawer			
SIZE	Customer	DWG NO	REV
B	Crown Verity	ICM-SK-1D	-
SCALE		SHEET	
1:9	01/01/2020	2 of 2	

