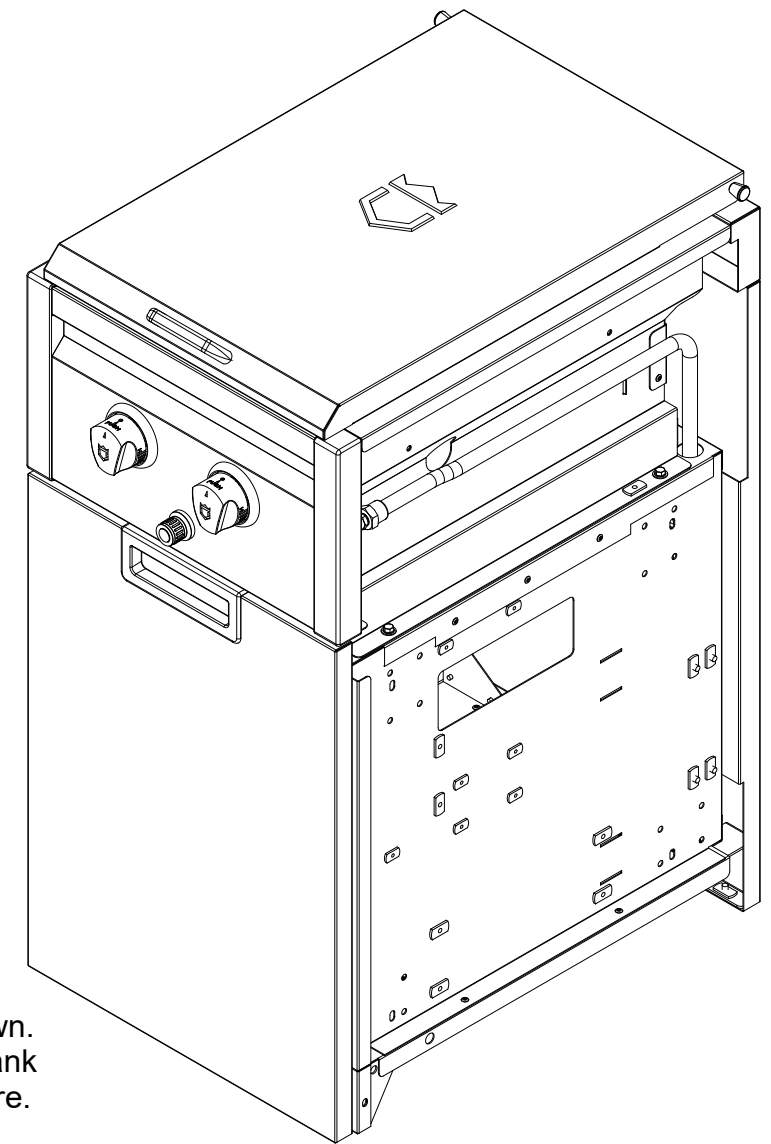
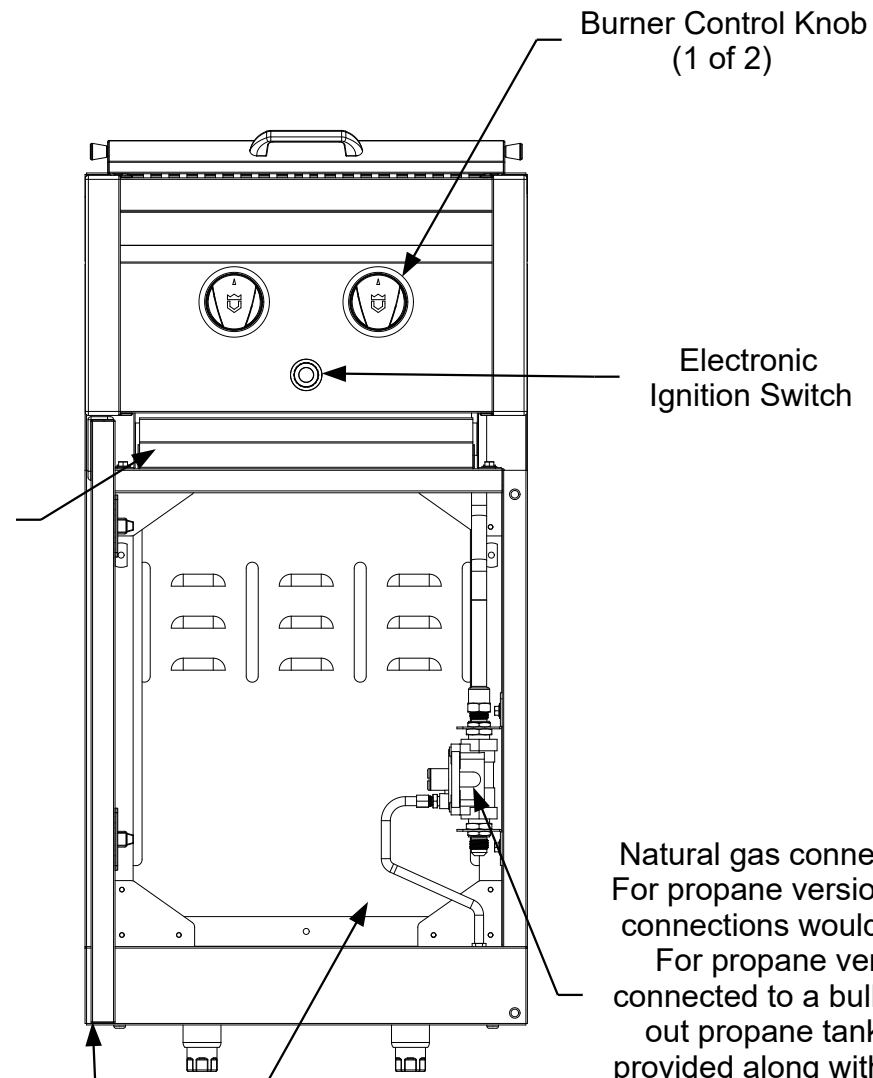
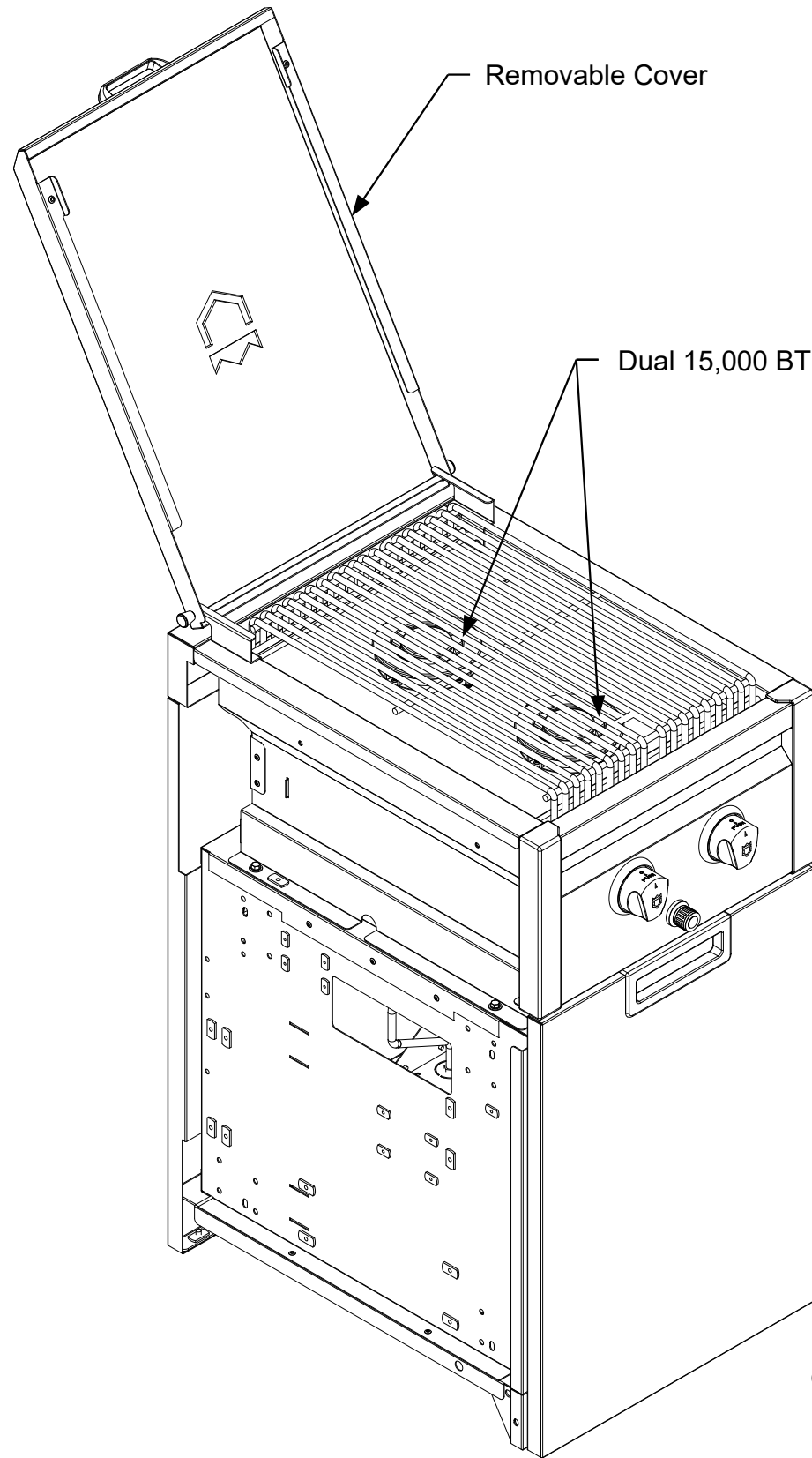


REVISION HISTORY			
REV	DESCRIPTION	DATE	APPROVED
-	Engineering Release	01/01/2020	Todd Stone



Removable Crumb Tray

Natural gas connection shown. For propane versions, bulk tank connections would occur here. For propane versions not connected to a bulk tank, a pull-out propane tank drawer is provided along with a hose and regulator assembly to attach to a 20 lbs. tank (not supplied).

Door shown with lefthand mounting option. Door hardware can be switched for righthand mount

Storage area below the side burner. Optional drawer configurations are available at the time of ordering or can be installed at a later date.

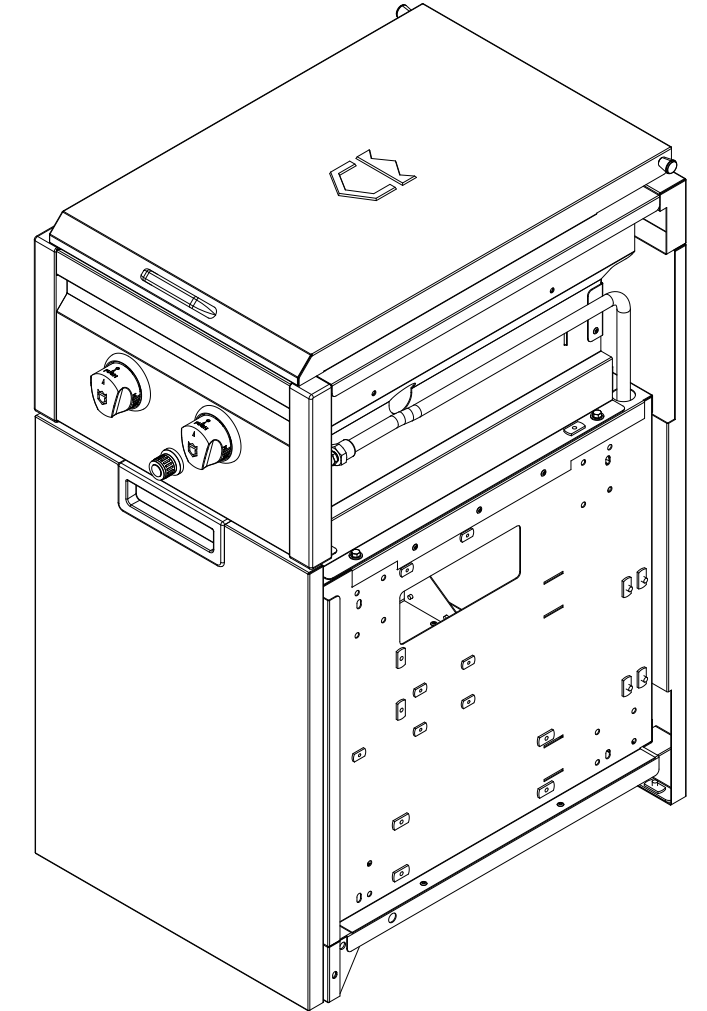
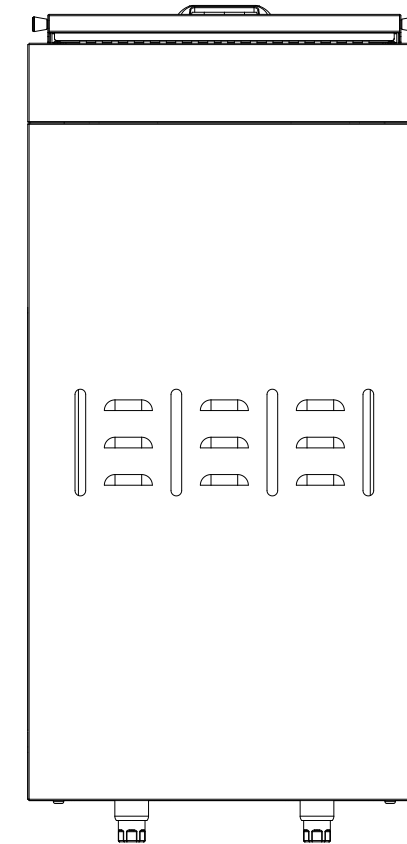
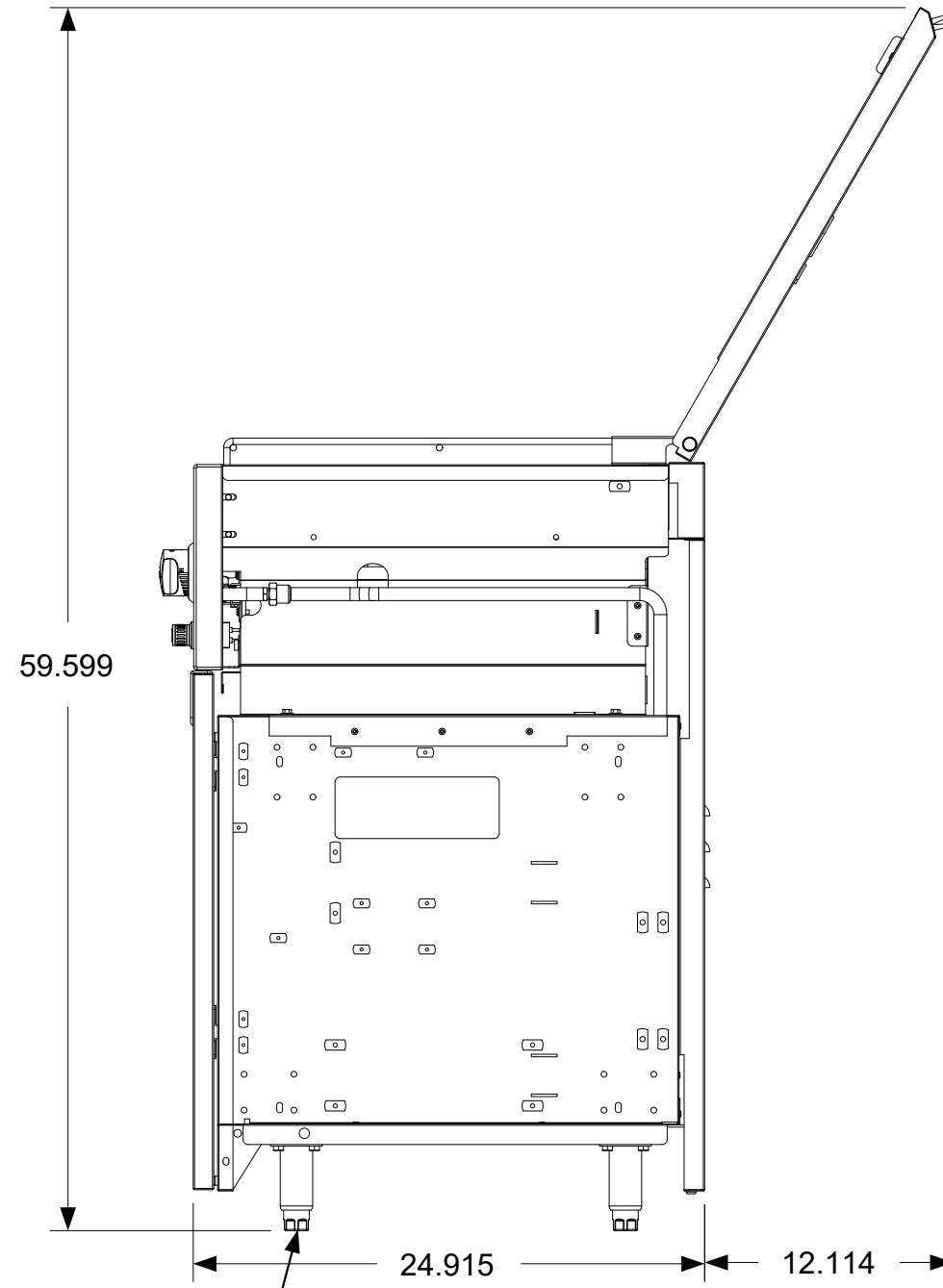
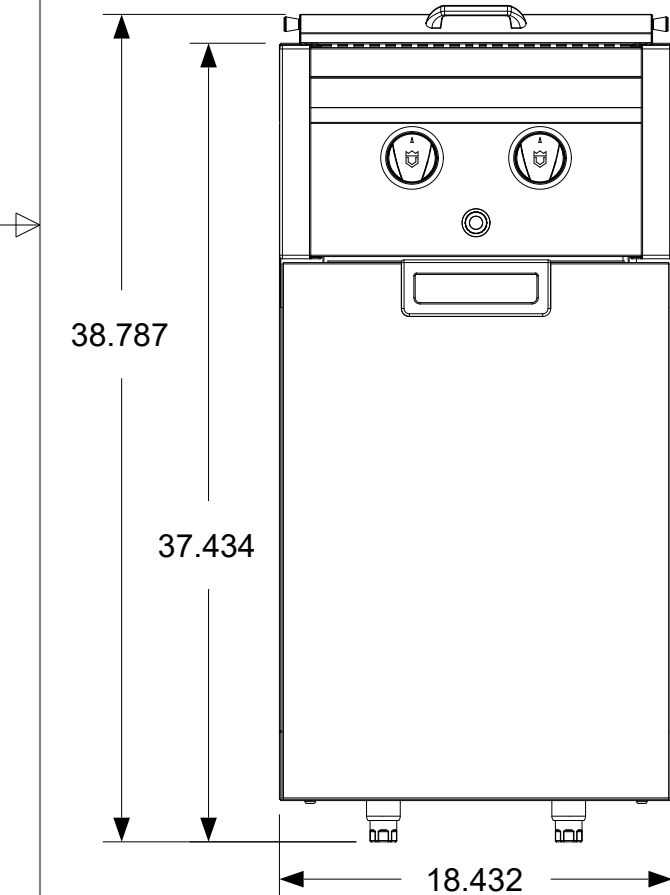
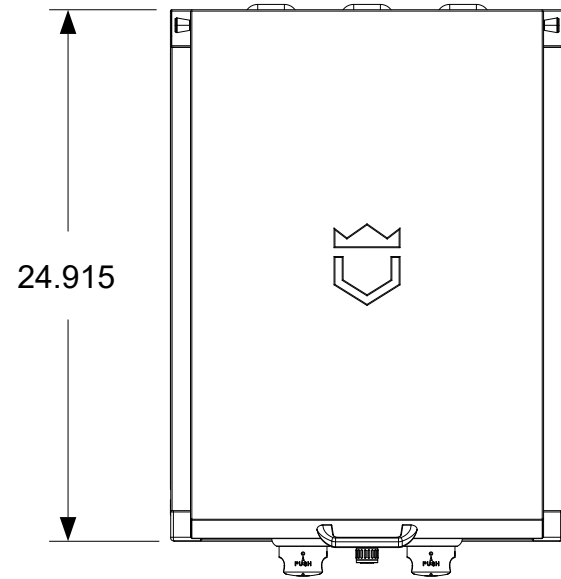
**CROWN VERITY**

37 Adams Blvd., Brantford, Ontario, N3S 7V8  
P: (519) 751-1800 www.crownverity.com

Gauge	N/A	Dimensions are in inches Linear Tolerance: +/- .015 Bend Tolerance: +/- .020 Angular Tolerance: +/- 0.5 Radial Tolerance: +/- .005
Weight (Kg)	N/A	
K Factor	N/A	
Finish	#4	
Material	SS 304	
DRAWN BY: Todd Stone		

TITLE			
Infinite Cabinet Module with Side Burner			
SIZE	Customer	DWG NO	REV
B	Crown Verity	ICM-SB(NG/LP)	-
SCALE	1:8	01/01/2020	SHEET 1 of 3

REVISION HISTORY			
REV	DESCRIPTION	DATE	APPROVED
-	Engineering Release	01/01/2020	Todd Stone

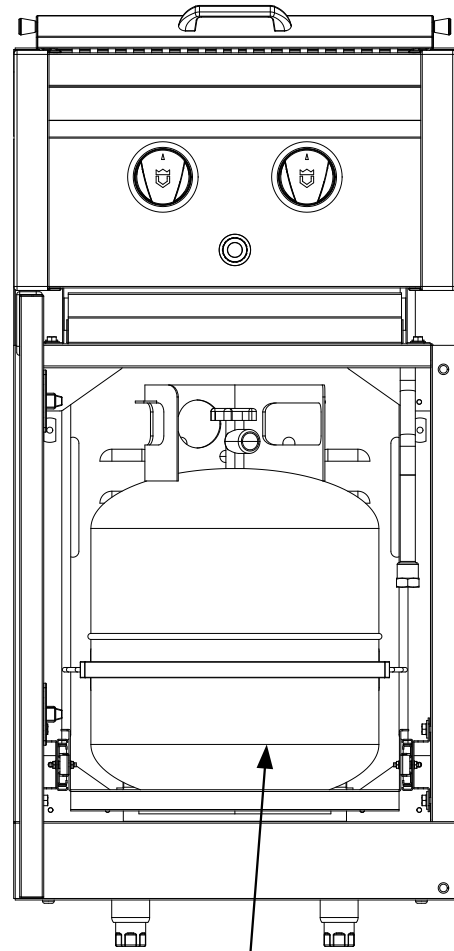


Adjustable leveling leg shown at lowest setting. Adjustment range is 2.125 inches.

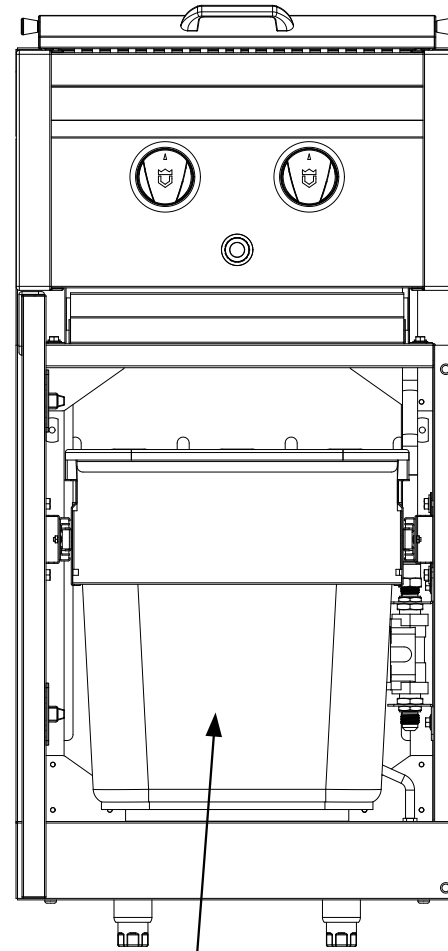
Gauge	N/A	Dimensions are in inches Linear Tolerance: +/- .015 Bend Tolerance: +/- .020 Angular Tolerance: +/- 0.5 Radial Tolerance: +/- .005
Weight (Kg)	N/A	
K Factor	N/A	
Finish	#4	
Material	SS 304	
DRAWN BY: Todd Stone		

<b>CROWN VERITY</b> 37 Adams Blvd., Brantford, Ontario, N3S 7V8 P: (519) 751-1800 www.crownverity.com			
<b>TITLE</b> Infinite Cabinet Module with Side Burner			
SIZE	Customer	DWG NO	REV
B	Crown Verity	ICM-SB(NG/LP)	-
SCALE	1:9	01/01/2020	SHEET 2 of 3

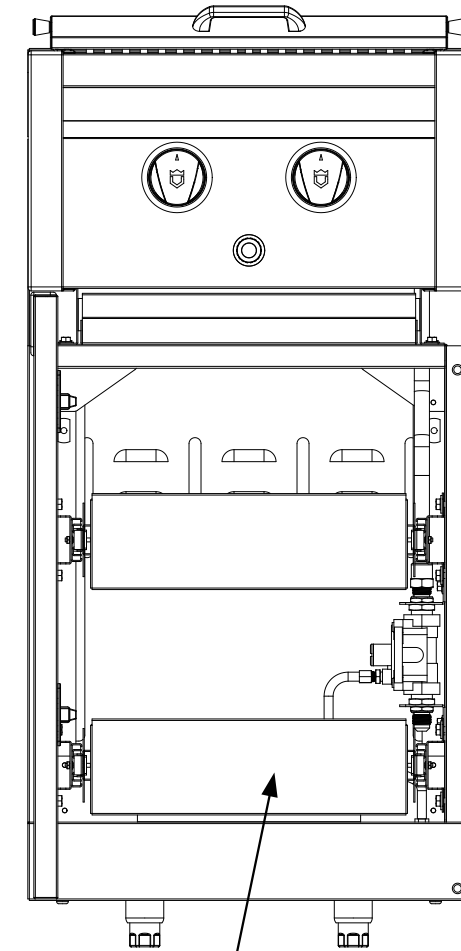
REVISION HISTORY			
REV	DESCRIPTION	DATE	APPROVED
-	Engineering Release	01/01/2020	Todd Stone



For LP applications that are not connected to a bulk supply, a pull-out tank drawer is factory installed along with a hose and regulator assembly to attach to a 20 lbs. tank (not supplied)



Storage area below the side burner is shown with the optional garbage drawer



Storage area below the side burner is shown with the optional utility drawer. The cabinet can accommodate a single or dual drawer as shown.

**CROWN VERITY**

37 Adams Blvd., Brantford, Ontario, N3S 7V8  
P: (519) 751-1800 www.crownverity.com

Gauge	N/A	Dimensions are in inches Linear Tolerance: +/- .015 Bend Tolerance: +/- .020 Angular Tolerance: +/- 0.5 Radial Tolerance: +/- .005
Weight (Kg)	N/A	
K Factor	N/A	
Finish	#4	
Material	SS 304	
DRAWN BY: Todd Stone		

TITLE **Infinite Cabinet Module with Side Burner**

SIZE <b>B</b>	Customer <b>Crown Verity</b>	DWG NO <b>ICM-SB(NG/LP)</b>	REV <b>-</b>
SCALE <b>1:8</b>	<b>01/01/2020</b>	SHEET <b>3 of 3</b>	