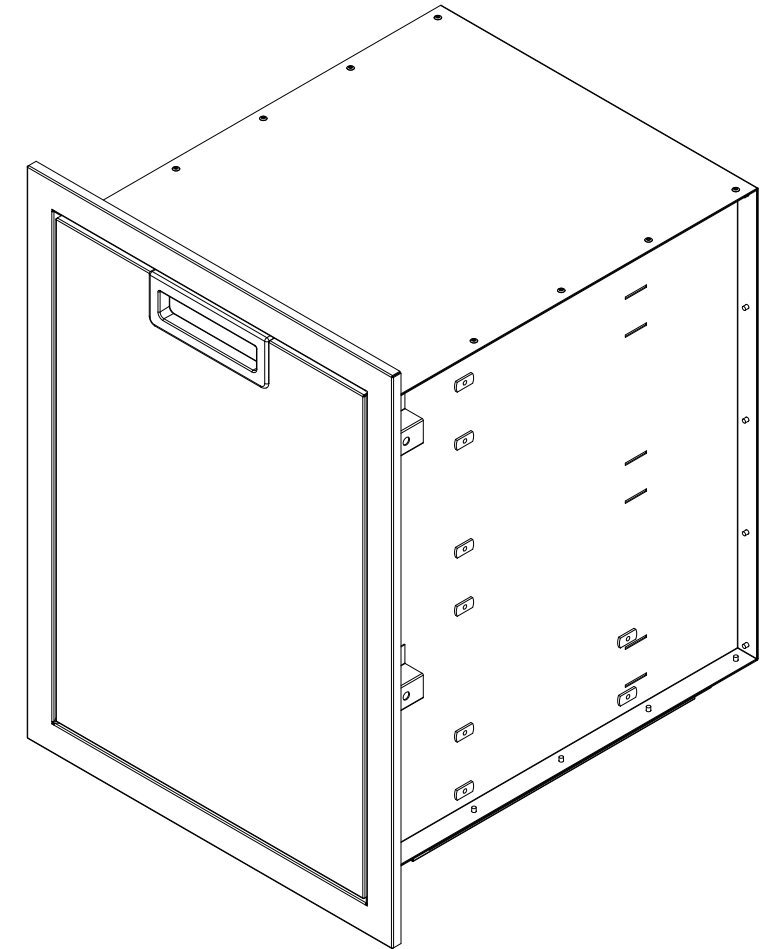
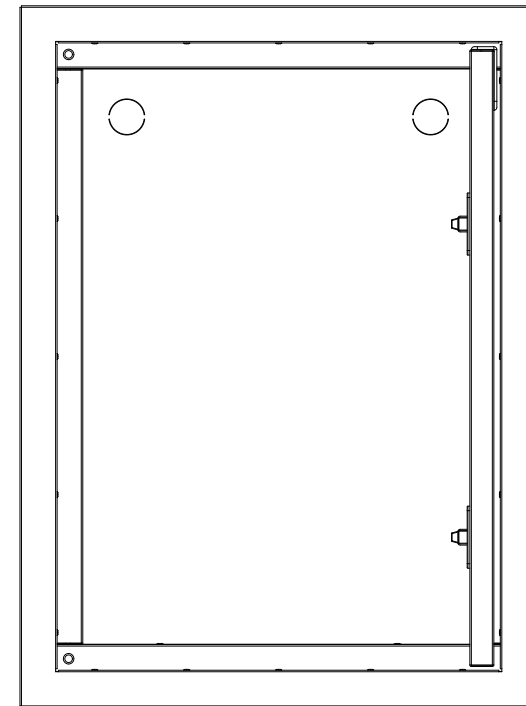
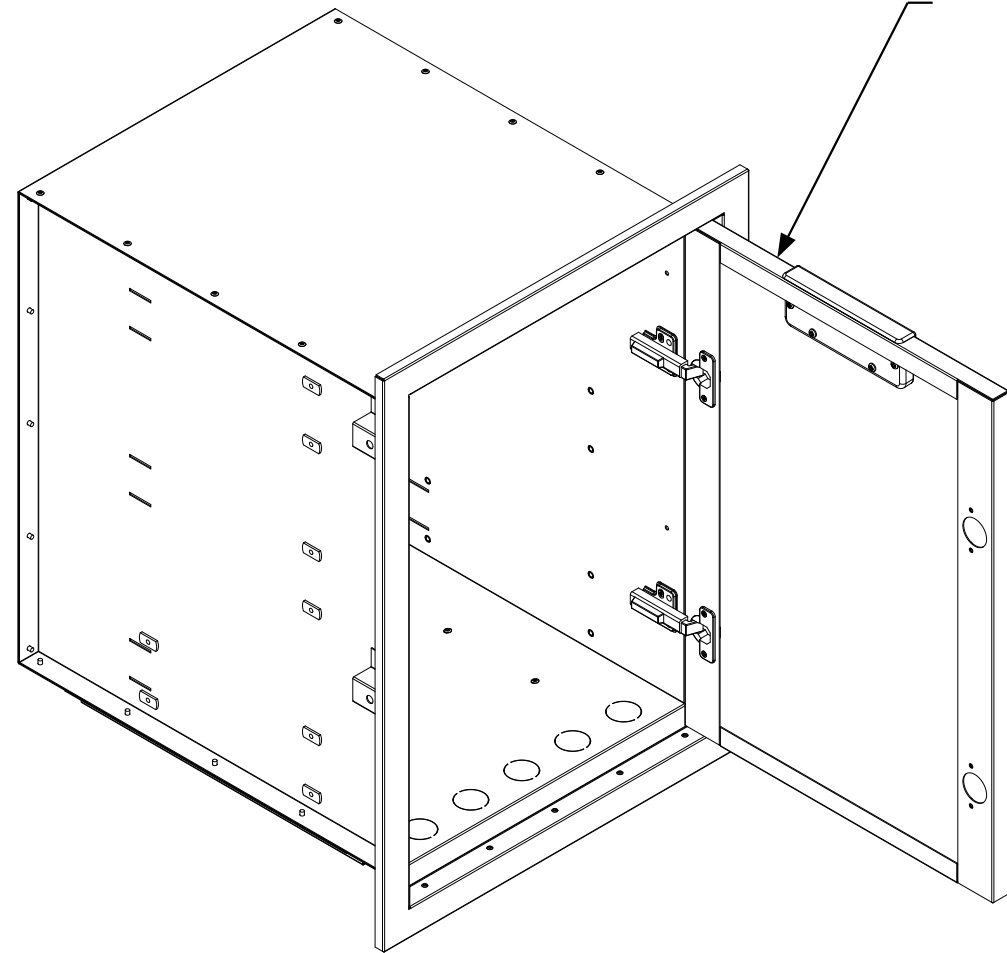


REVISION HISTORY			
REV	DESCRIPTION	DATE	APPROVED
-	Engineering Release	01/01/2020	Todd Stone

Door shown with righthand mounting option. Door hardware can be switched for a lefthand mount



CROWN VERITY

37 Adams Blvd., Brantford, Ontario, N3S 7V8
P: (519) 751-1800 www.crownverity.com

Suggested Cut-out Dimensions	
Height	26.625
Width	18.938
Depth	23.000
Material	SS 304

Dimensions are in inches
Linear Tolerance: +/- .015
Bend Tolerance: +/- .020
Angular Tolerance: +/- 0.5
Radial Tolerance: +/- .005

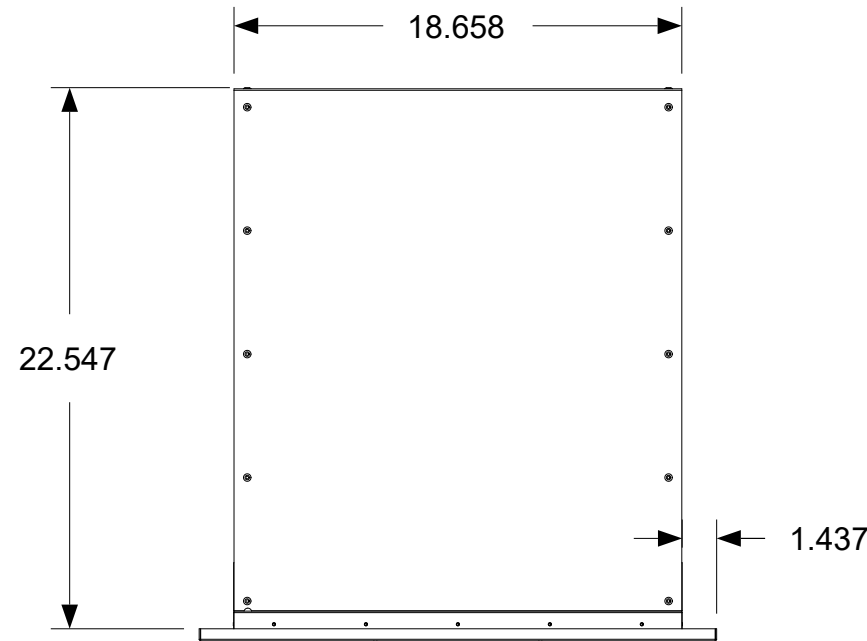
DRAWN BY: Todd Stone

TITLE
Infinite Built-In Storage Cabinet-Large

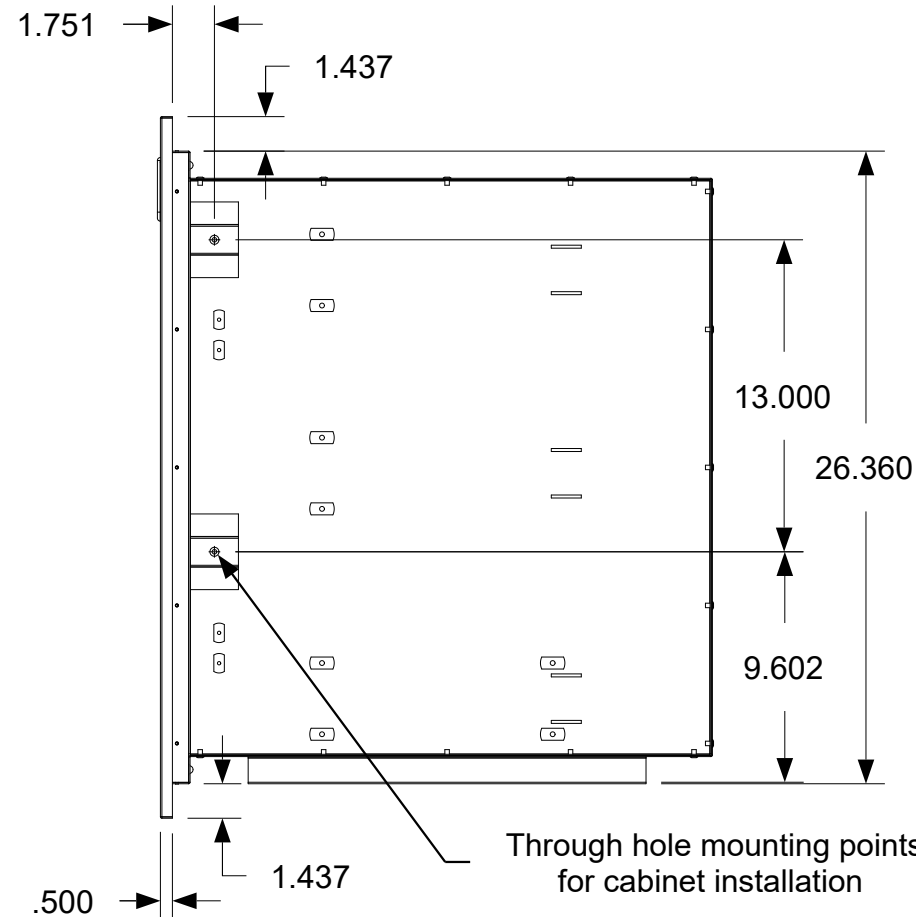
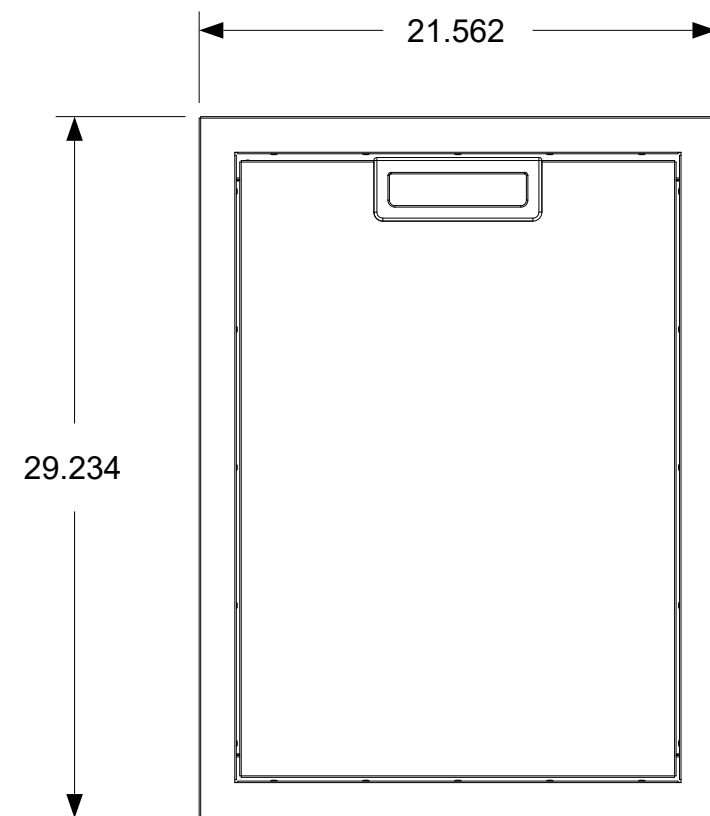
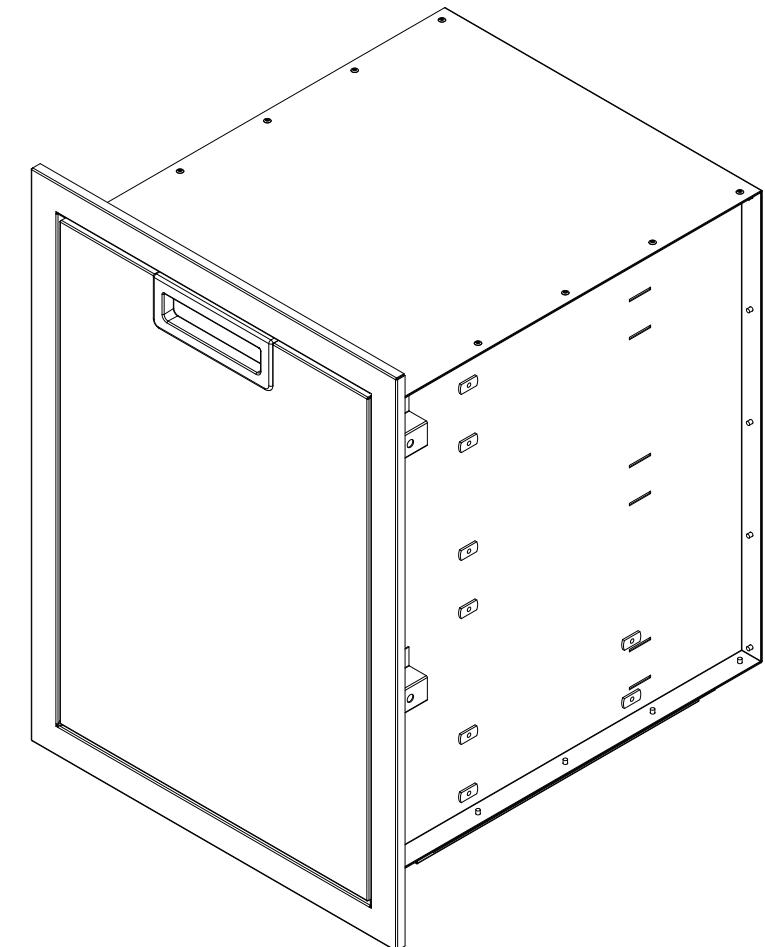
SIZE	Customer	DWG NO	REV
B	Crown Verity	IBILC	-

SCALE 1:8 01/01/2020 SHEET 1 of 2

REVISION HISTORY			
REV	DESCRIPTION	DATE	APPROVED
-	Engineering Release	01/01/2020	Todd Stone



Dimensions shown are the actual physical dimensions. Additional clearances to the cabinetry are dependent on the tolerances of the cut-out. The suggested cut-out dimensions are listed in the chart below but these dimensions can be reduced if the tolerances are controlled. Please refer to the product manual for installation instructions.



CROWN VERITY
 37 Adams Blvd., Brantford, Ontario, N3S 7V8
 P: (519) 751-1800 www.crownverity.com

Suggested Cut-out Dimensions		Dimensions are in inches Linear Tolerance: +/- .015 Bend Tolerance: +/- .020 Angular Tolerance: +/- 0.5 Radial Tolerance: +/- .005
Height	26.625	
Width	18.938	
Depth	23.000	
Material	SS 304	DRAWN BY: Todd Stone

TITLE Infinite Built-In Storage Cabinet-Large			
SIZE B	Customer Crown Verity	DWG NO IBILC	REV -
SCALE 1:8	01/01/2020	SHEET 2 of 2	