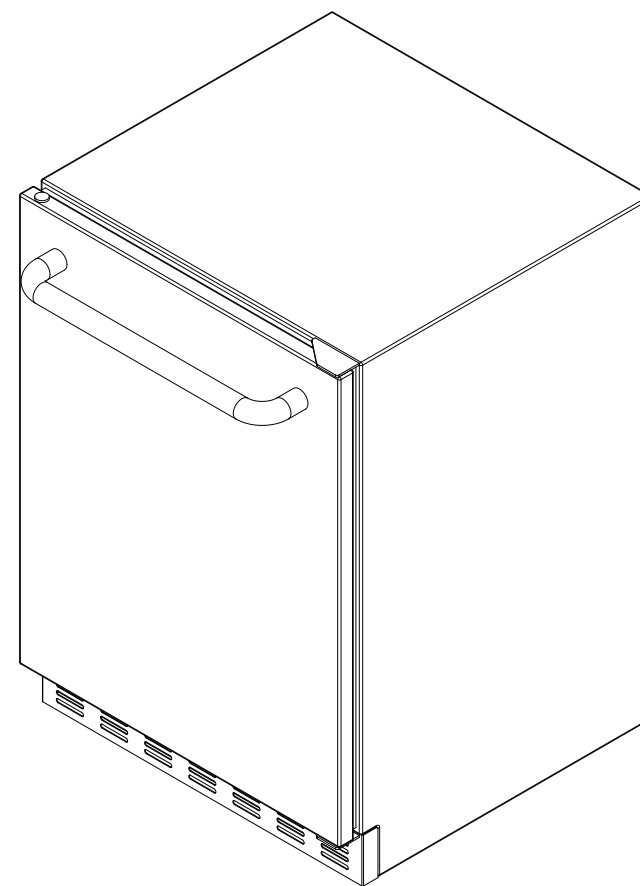
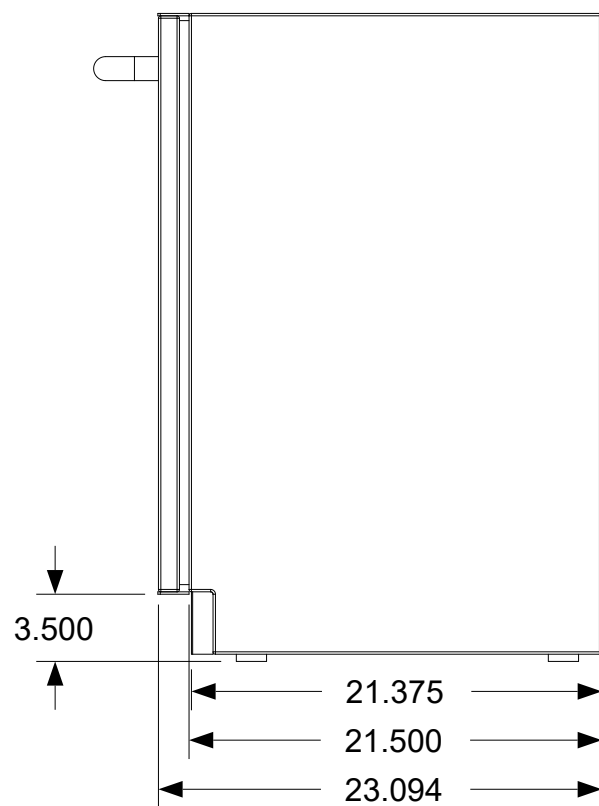
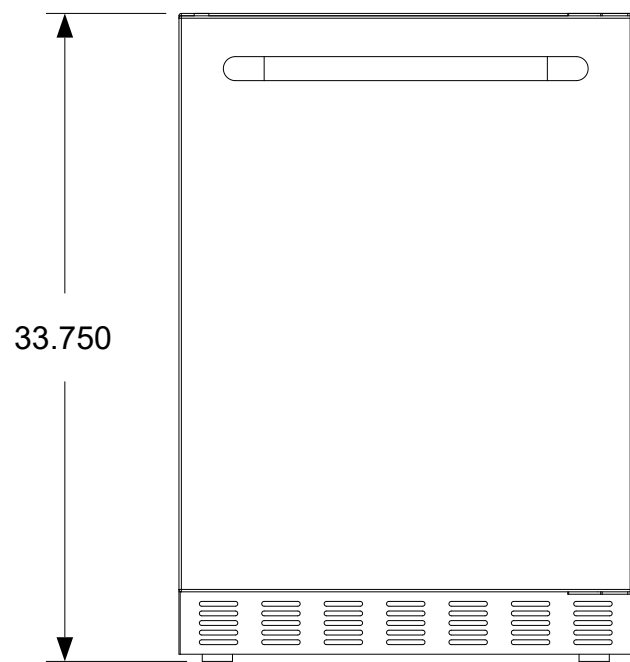


Dimensions shown are actual physical dimensions. Additional clearances to built-in cabinetry are dependent on the tolerances of the cut-out. We recommend an additional .250 inches around all side openings. An additional .500 inches is recommended for the top to allow for levelling of the fridge. Openings can be reduced if the tolerances are controlled.

1.625  
If installed in cabinetry, the door must protrude out from the face of the cabinetry by approximately this dimension to allow for the swing of the door.



REVISION HISTORY			
REV	DESCRIPTION	DATE	APPROVED
-	Engineering Release	08/16/2018	Todd Stone



37 Adams Blvd., Brantford, Ontario, N3S 7V8  
P: (519) 751-1800 www.crownverity.com

Gauge	N/A	Dimensions are in inches Linear Tolerance: +/- .125 Bend Tolerance: +/- .020 Angular Tolerance: +/- 0.5 Radial Tolerance: +/- .005
Weight (Kg)	N/A	
K Factor	N/A	
Finish	#4	
Material	SS 304	
DRAWN BY: Todd Stone		

TITLE			
<b>Outdoor Refrigerator</b>			
SIZE	Customer	DWG NO	REV
B	Crown Verity	CV-RF-1	-
SCALE	1:10	08/16/2018	SHEET 1 of 1