



Installation Manual

LT1

Direct Vent Zero Clearance
Gas Fireplace
natural gas 2500KN
propane gas 2500KP

with HeatShift™ System

Installer: Place model/serial number here.

Installer: Leave this manual with the appliance.
Consumer: Retain this manual for future reference.

⚠ WARNING:
FIRE OR EXPLOSION HAZARD
Failure to follow safety warnings exactly could result in serious injury, death, or property damage.

Do not store or use gasoline or other flammable vapors and liquids in the vicinity of this or any other appliance.

WHAT TO DO IF YOU SMELL GAS

- Do not try to light any appliance.

- Do not touch any electrical switch; do not use any phone in your building.
- Leave the building immediately.
- Immediately call your gas supplier from a neighbor's phone. Follow the gas supplier's instructions.
- If you cannot reach your gas supplier, call the fire department.

Installation and service must be performed by a qualified installer, service agency or the gas supplier.

⚠ DANGER



Hot glass will cause burns.
Do not touch glass until cooled.
Never allow children to touch glass.

A barrier designed to reduce the risk of burns from the hot viewing glass is provided with this appliance and must be installed for the protection of children and other at-risk individuals.

This appliance may be installed in an after-market permanently located, manufactured (mobile) home where not prohibited by local codes. This appliance is only for use with the type of gas indicated on the rating plate. This appliance is not convertible for use with other gases, unless a certified kit is used.

INSTALLER: Leave this manual with the appliance.

CONSUMER: Retain this manual for future reference.

Massachusetts:

The piping and final gas connection must be performed by a licensed plumber or gas fitter in the State of Massachusetts. Also, see Carbon Monoxide Detector requirements in the fireplace installation manual.

⚠ WARNING

This product can expose you to chemicals including Benzene, which is known to the State of California to cause cancer and birth defects or other reproductive harm. For more information go to www.P65Warnings.ca.gov.

Note: Natural gas, in its original state, contains Benzene.

This manual contains instructions to install the **ENGINE ONLY**. A trim kit is **REQUIRED** to complete the installation. A barrier screen is provided with the trim kit. **Refer to the manual supplied with the trim for installation.**

This appliance is a domestic room-heating appliance. It must not be used for any other purposes such as drying clothes, etc.

This appliance is suitable for installation in a bedroom or bed sitting room.

Ce guide est disponible en français sur demande.



We recommend a US Certified National Fireplace Institute (NFI) specialist install our gas hearth products.



The information contained in this manual is believed to be correct at the time of printing. Miles Industries Ltd. reserves the right to change or modify any information or specifications without notice. Miles Industries Ltd. grants no warranty, implied or stated, for the installation or maintenance of your heater, and assumes no responsibility for any consequential damage(s).

© Copyright Miles Industries Ltd., 2023. All rights reserved.
Designed and manufactured for Miles Industries Ltd.

Welcome to Valor®

This appliance has been professionally installed by:

Dealer Name: _____

Phone: _____

Please read this manual BEFORE installing and operating this appliance.

| | |
|---|----|
| Fireplace Safety | 4 |
| Specifications | 6 |
| Kits & Accessories..... | 7 |
| Dimensions & Location..... | 8 |
| Installation Planning | 9 |
| Before Installing | 9 |
| Overview..... | 10 |
| Mantel Clearances..... | 11 |
| Framing..... | 13 |
| Wall Finish..... | 15 |
| Material Specifications | 15 |
| Non-Combustible Board..... | 15 |
| Do Not Drill/Screw Areas | 16 |
| Avoiding Cracking Wall Finishes..... | 17 |
| Venting..... | 18 |
| Overview..... | 18 |
| Co-Axial | 19 |
| Typical Co-axial Venting Components | 19 |
| Venting Chart | 20 |
| Restrictor Settings | 21 |
| Horizontal Vent Termination | 22 |
| Vertical Vent Termination | 23 |
| Co-Linear Conversion | 24 |
| Co-Linear Conversion Installations | 24 |
| Installation Partially Into Fireplace Cavity..... | 25 |
| Installation Using 1156CLA | 25 |
| Installation Into an Adjacent Chimney..... | 26 |
| Installation Into an Adjacent Chimney..... | 27 |
| Example of Co-linear Conversion Accessories | 28 |

| | |
|--|----|
| Installation | 29 |
| Appliance Preparation..... | 29 |
| Window Removal | 30 |
| Window Reinstallation & Check..... | 31 |
| Electrical Wiring | 34 |
| Gas Supply..... | 36 |
| Liner Installation | 38 |
| Fuel Beds..... | 40 |
| Birch Log Kit 1505BLKV2..... | 40 |
| Driftwood Kit 1505DWKV2 | 43 |
| Split Wood Kit 1505SWKV2 | 46 |
| Decorative Glass Murano 1500DGM | 49 |
| Rocks & Shale Set 1514RSS | 50 |
| Wall Switch | 52 |
| Remote Control | 54 |
| Checking Operation and Aeration | 56 |
| Checking Decorative Lighting..... | 57 |
| Trim & Barrier Screen..... | 58 |
| Wiring Diagram | 59 |
| Approved Venting Components..... | 60 |
| Commonwealth of Massachusetts..... | 62 |
| Appendix A—Lighting Instructions | 63 |
| Appendix B—Remote Control Operation..... | 64 |
| Appendix C—Wall Switch Operation..... | 71 |
| Appendix D—HeatShift™System | 72 |
| Appendix E—Spare Parts | 90 |

Fireplace Safety

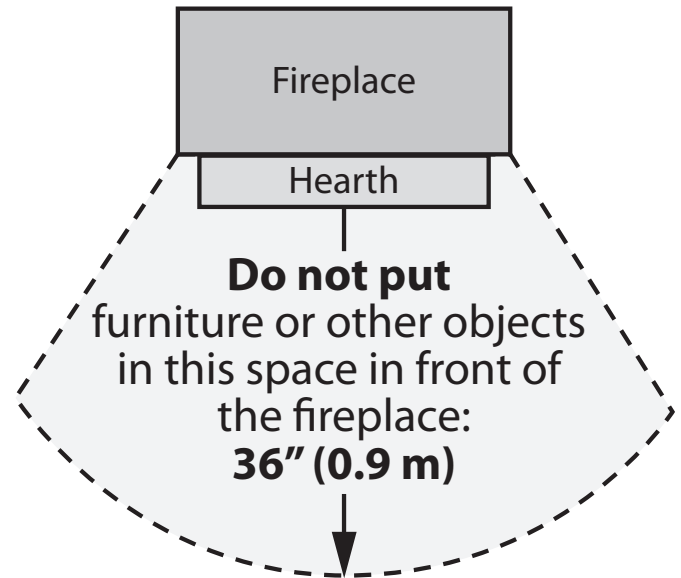
This manual contains very important information about the safe installation and operation of the fireplace. Read and understand all instructions carefully before installing and operating the fireplace. Failure to follow these instructions may result in possible fire hazard and will void the warranty.

Replacement manuals are available by contacting the Valor Customer Service at 1-800-468-2567, or by visiting valorfireplaces.com.

WARNING: Extremely Hot!

Heat and flammability

- Some parts of the fireplace are extremely hot, particularly the glass windows. Use the barrier screens provided or a gate to reduce the risk of severe burns.
- The glass windows can exceed 500°F at full capacity.
- Always keep the appliance clear and free from combustible materials, gasoline, and other flammable vapors and liquids.
- Be aware of hot wall surfaces! The walls directly above the fireplace can get very hot when the fireplace heats. Although safe, it may reach temperatures in excess of 200°F (93°C) depending on choice of optional accessories. Do not touch!
- Be aware of hot hearth/floor surfaces! Any projections directly around the fireplace can get very hot when the fireplace heats. Although safe, they may reach temperatures in excess of 200°F (93°C) depending on elevation of hearth. Be careful of touching these! Temperature of projection surfaces will be reduced when barrier screens are installed.
- Some materials or items, although safe, may discolor, shrink, warp, crack, peel, and so on because of the heat produced by the fireplace. Avoid placing candles, paintings, photos and other combustible objects sensitive to heat or furniture within 36 inches (0.9 m) around the fireplace.
- Due to its high temperatures, the appliance should be located out of traffic areas and away from furniture and draperies.
- Clothing or flammable material should not be placed on or near the appliance.



Barrier Screen and Safety

- A barrier designed to reduce the risk of burns from the hot viewing glass is provided with this appliance and shall be installed for the protection of children and other at-risk individuals.
- Children and adults should be alerted to the hazards of high surface temperature and should stay away to avoid burns or clothing ignition.
- Young children should be carefully supervised when they are in the same room as the appliance. Toddlers, young children, and others may be susceptible to accidental contact burns. A physical barrier is recommended if there are at-risk individuals in the house. To restrict access to a fireplace or stove, install an adjustable safety gate to keep toddlers, young children, and other at-risk individuals out of the room and away from hot surfaces.
- Any safety screen, guard, or barrier removed for servicing an appliance must be replaced prior to operating the appliance.

Fireplace Safety

Glass windows

WARNING

Do not operate this appliance with the glass front removed, cracked, or broken.

Do not strike or slam the glass front.

Replacement of the glass front should be performed by a licensed or qualified service person.

- The glass front assemblies must be in place and sealed before the unit can be placed into safe operation.
- The glass front assemblies must only be replaced as complete units, as supplied by the fireplace manufacturer. No substitute material may be used.
- Do not use abrasive cleaners on the glass front assemblies. Do not attempt to clean the glass when it is hot.

Venting

- This unit must be used with a vent system as described in this manual. No other vent system or components may be used.
- Never obstruct the flow of combustion and ventilation air. Keep the front of the appliance clear of all obstacles and materials for servicing and proper operation.
- This gas fireplace and vent assembly must be vented directly to the outside and must never be attached to a chimney serving a separate solid fuel burning appliance. Each gas appliance must use a separate vent system. Common vent systems are prohibited.

Intended use

- This appliance is designed and approved as a supplemental heater and provides the potential for most energy conservation when used while attended. The use of an alternate primary heat source is advisable.
- This unit is not for use with solid fuel.
- Do not use this heater as a temporary source of heat during construction.

Installation and Servicing

- Installation and repair should be done by a qualified service person. The appliance should be inspected before use and at least annually by a professional service person. More frequent cleaning might be required due to excessive lint from carpeting, bedding material, et cetera. It is imperative that control compartments, burners, and circulating air passageways of the appliance be kept clean.
- Do not use this appliance if any part has been under water. Immediately call a qualified service technician to inspect the appliance and to replace any part of the control system and any gas control that has been under water.

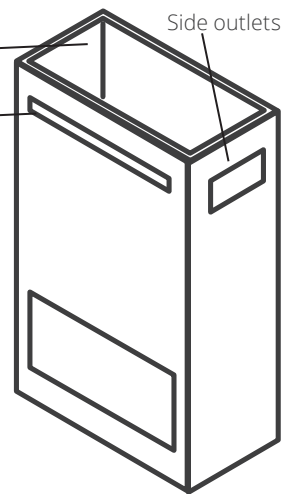
WARNING

Ceiling outlet

Front outlet

Side outlets

**HeatShift
Duct Kit:
Do not cover
or place items
in front of or
above outlet(s)!**



Specifications

Approval & Codes

This appliance is certified to ANSI Z21.88/CSA 2.33 American National Standard / CSA Standard for Vented Gas Fireplace Heaters for use in Canada and USA, and to CGA 2.17-91 High Altitude Standard in Canada. This appliance is for direct vent installations.

This appliance complies with CSA P.4.1-15 Testing method for measuring annual fireplace efficiencies.

The installation must conform to local codes or, in the absence of local codes, with the National Fuel Gas Code, ANSI Z223.1/NFPA 54 or the Natural Gas and Propane Installation Code CAN/CGA-B149.1. Only qualified licensed or trained personnel should install this appliance.

This appliance must be electrically grounded in accordance with local codes, or, in the absence of local codes, with the National Electrical Code, ANSI/NFPA 70 or the Canadian Electrical Code, CSA C22.1.

Ratings

| Model | 2500KN | 2500KP |
|-----------------------------------|---------------|---------|
| Gas | Natural | Propane |
| Altitude (Ft.)* | 0-4,500 feet* | |
| Input Maximum (Btu/h) | 34,000 | 34,000 |
| Input Minimum (Btu/h) | 20,000 | 22,000 |
| Manifold Pressure (in w.c.) | 3.2" | 9.0" |
| Minimum Supply Pressure (in w.c.) | 5" | 11" |
| Maximum Supply Pressure (in w.c.) | 10" | 14" |
| Main Burner Injector Marking | DMS#32 | DMS#50 |
| Pilot Injector Marking | BL22N | BL14LP |
| Min. Rate By-Pass Screw | 220 | 160 |

*High Altitude Installations

Input ratings are shown in BTU per hour and are certified without deration for elevations up to 4,500 feet (1,370 m) above sea level.

For elevations above 4,500 feet (1,370 m) in USA, installations must be in accordance with the current ANSI Z223.1 and/or local codes having jurisdiction. Heating value of gas in some areas is reduced to compensate for elevation—consult your local gas utility to confirm.

For installations at elevations above 4,500 feet (1,370 m) in Canada, please consult provincial and/or local authorities having jurisdiction.

Supply Gas

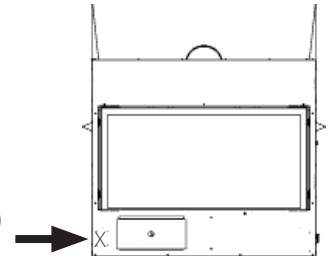
Heater engine 2500KN uses natural gas.

Heater engine 2500KP uses propane gas.

The supply pressure must be between the limits shown in the *Ratings* section.

The supply connection is 3/8" NPT male and located on the left hand side of the firebox.

A shut-off valve (not supplied) is required on the supply line to isolate the unit during service. See *Gas Supply Installation* section for details.



Conversion Kits

The 2500K are supplied as natural gas or propane gas and are field convertible between fuels. See instructions packaged with the conversion kits for further information.

Electrical

The 2500K are designed to run on battery power and do not require an electrical power source to operate as a heater. However, they require electrical power to operate the lights and optional GV60WIFI WiFi Kit.



WARNING

Electrical connection IS NOT ALLOWED when adapting appliance for outdoor use.

HeatShift™ System (Required)

The 2500K requires the installation of the HeatShift System, a convection system that redistributes the warm air flow away from the fireplace opening to a more desirable location using natural convection, without use of a fan.

The warm air flow may be relocated to a position higher up the wall, out the sidewalls, or even to another room. The result is much cooler wall temperatures above the fireplace opening for locating televisions, artwork, etc. Refer to "Appendix D—HeatShift™ System™" on page 72 for more information.

Outdoor Conversion Kit

The 2500K models are supplied standard for indoor applications and may be adapted for installation in specific "outdoor" applications protected from weather as defined in the GV60CKO outdoor conversion kit manual.

Kits & Accessories

Required Kits Information accurate at the time of printing and subject to change without notice.

| Fuel Beds (choose one) | | | |
|--|---|-----------------------------|--|
| 1500DGM | Murano Decorative Glass Kit | | |
| 1505BLKV2 | Birch Logs Kit | | |
| 1505DWKV2 | Driftwood Kit | | |
| 1505SWKV2 | Split Wood Kit | | |
| 1514RSS | Rock and Shale Kit | | |
| Liners Panels (choose one) | | | |
| 2515FBL | Fluted Black Liners | | |
| 2525RGL | Reflective Glass Liners (requires 1725RGL-3 Glass Retainer Kit, included) | | |
| 2560PBL | Plain Black Liners | | |
| Trims (choose one) | | Barrier Screen | |
| 2530CIK | Clean Install Kit - Fine Mesh | 4008320 | |
| 2575LFB | Linear 1" Finishing Trim Black | 4008495 | |
| HeatShift (choose one) See page 87 for details on all HeatShift accessories | | OPTIONAL Accessories | EXTRA Liners |
| LDK1 | 48" Plenum | LDK2 - 48" Finishing frame | LDK6 Pair - 5" x 10' aluminum flex liners (Note: one pair is included with the appliance) |
| LDK3 | Pair - 14" Plenums, including grilles | | |
| LDK4 | 38" Plenum | LDK5 - 38" Finishing frame | |
| LDK7 | Pair - Duct termination plates (wall valance discharge only) | | |
| LDK9 | 30" Plenum | LDK10 - 30" Finishing frame | |

Optional Accessories Information accurate at the time of printing and subject to change without notice.

| Gas Conversion Kits | |
|---------------------|---|
| 2500KNGK | Conversion to natural gas |
| 2500KPGK | Conversion to propane gas |
| Other Accessories | |
| GV60CKO | Outdoor Fireplace Conversion Kit |
| 1506DRK | Additional pebbles for Driftwood Kit |
| 1270RBK | Remote Blower Kit (for use with LDK1 and LDK4 only) |
| GV60WIFI | WiFi Kit |
| Hearth Gate | Hearth gates such as Cardinal's VersaGate are available at retail stores carrying safety products for children. |



WARNING

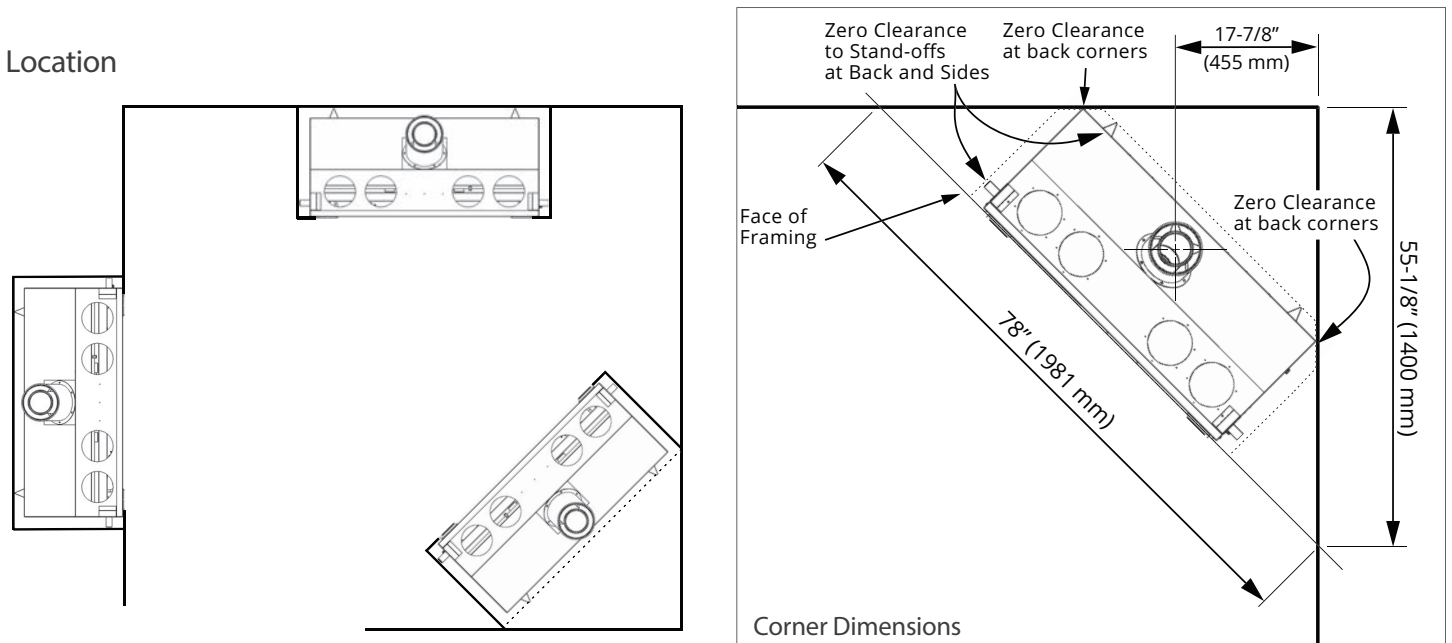
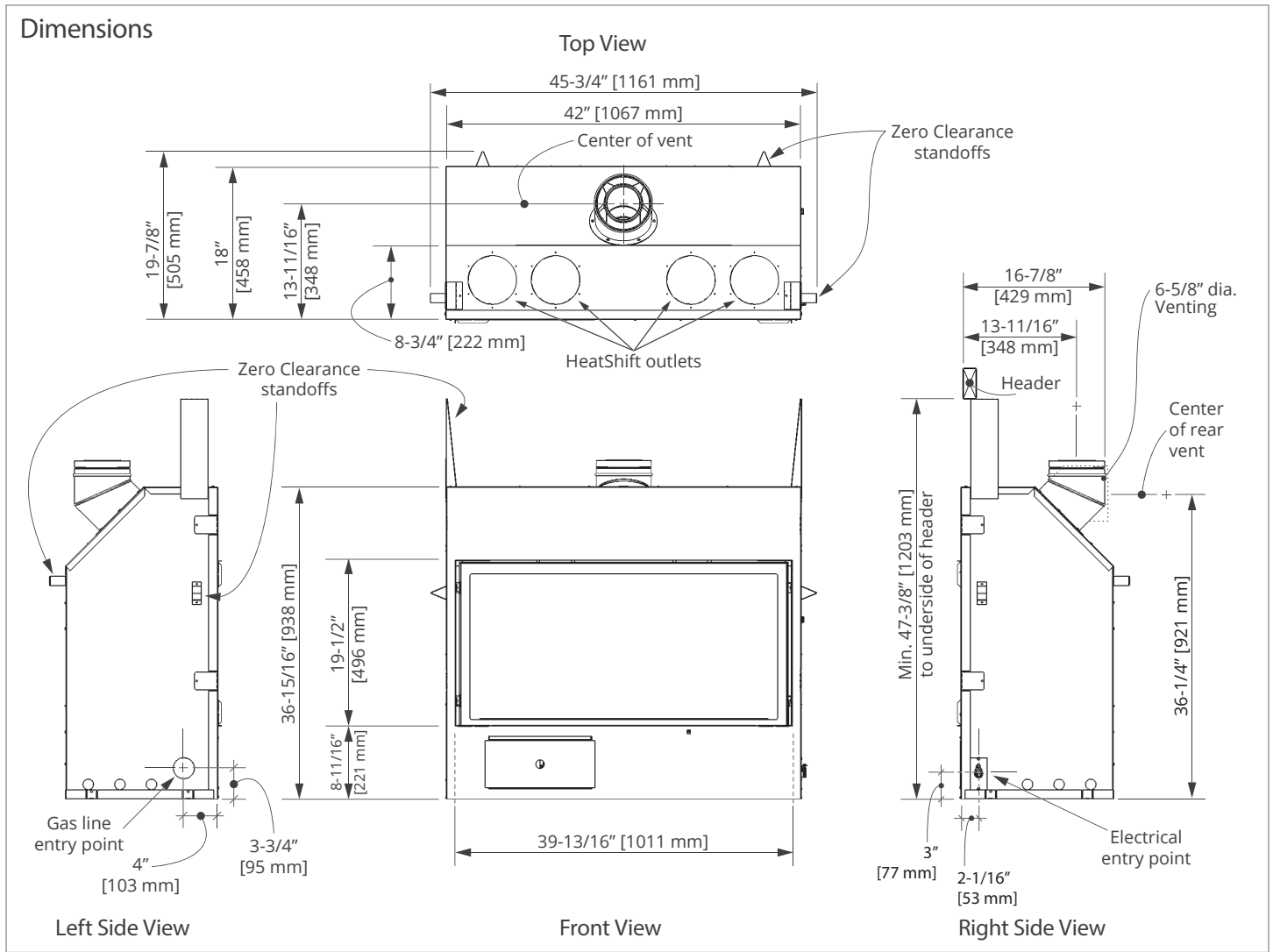
Electrical connection IS NOT ALLOWED when adapting appliance for outdoor use.



WARNING

HeatShift System MUST be installed on this appliance!

Dimensions & Location



Installation Planning

Before Installing

Caution

Only qualified, license, or trained personnel should install this appliance.

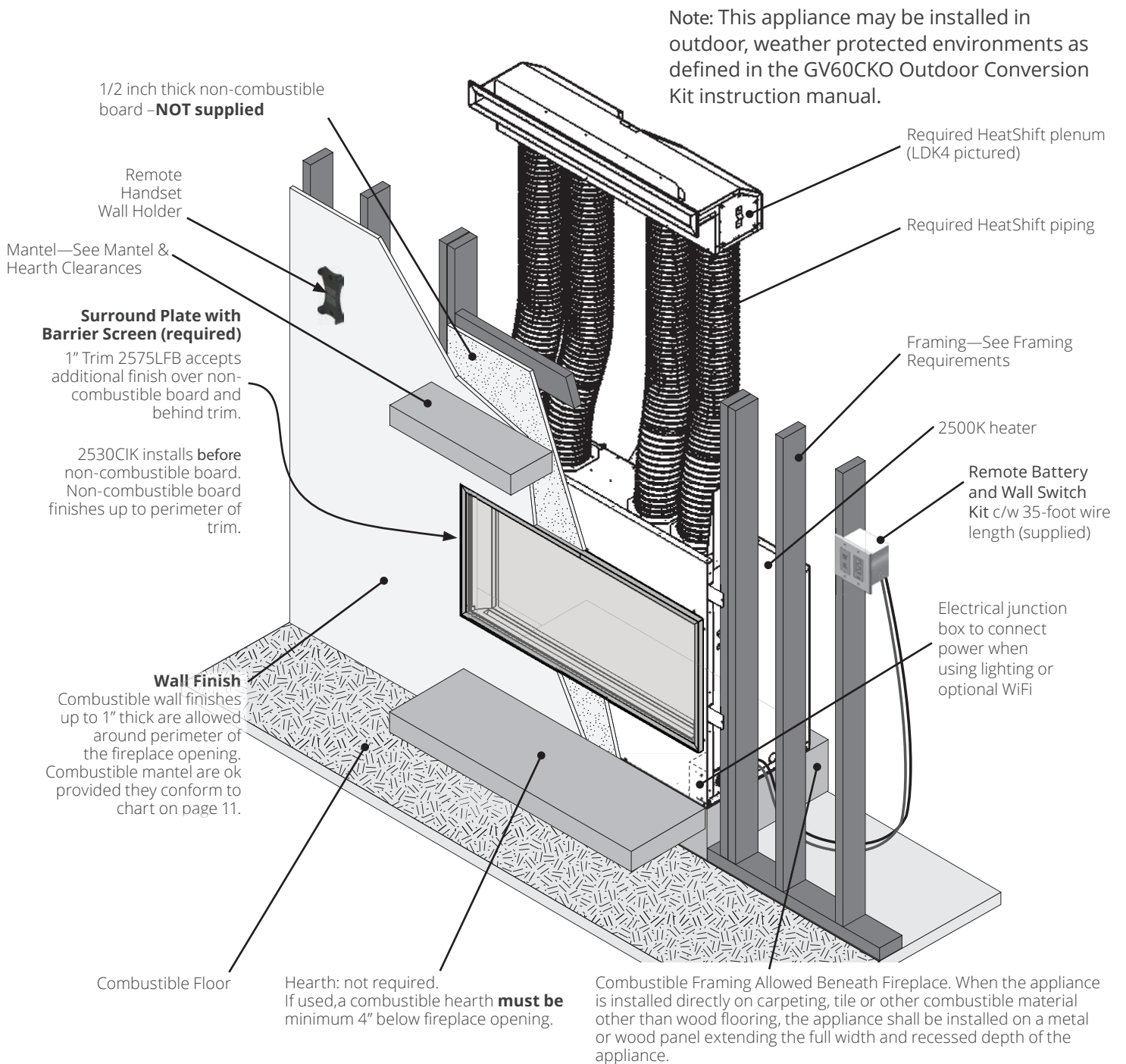
1. YOU NEED TO KNOW FROM THE HOMEOWNER:
 - Height of appliance and shelf, if used;
 - Thickness and type of wall finish around appliance;
 - Trim used;
 - Optional accessories used (if any);
 - Venting configuration.
2. Unpack the appliance, removing all items packed inside and around it. Recycle the packaging.
3. Check that you have everything, using the Pack Content sheet. Also, check that you have:
 - Fuel bed (packed separately);
 - Liner panels (packed separately);
 - Remote Battery and Wall Switch Kit;
 - HeatShift System components;
 - Gas conversion kit (if necessary);
 - Venting accessories;
 - Non-combustible board;
 - Electrical accessories (if used).
4. Carefully read the Installer's Checklist included with the fireplace for the installation sequence.

WARNING

HeatShift System MUST be installed on this appliance!

Installation Planning

Overview



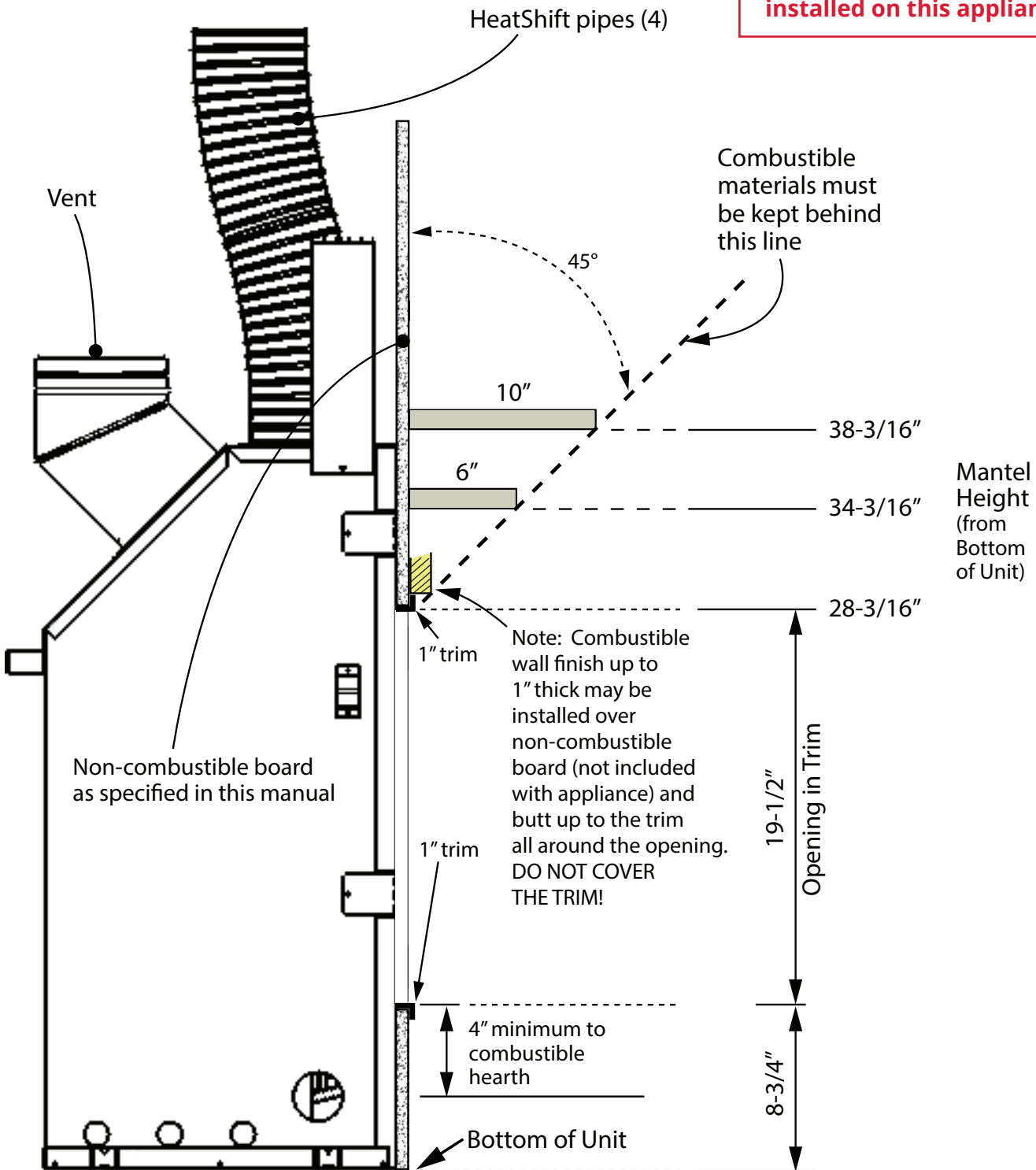
⚠ WARNING
Some materials or items, although safe, may discolor, shrink, warp, crack, peel, and so on because of the heat produced by the fireplace. Avoid placing candles, paintings, photos, and other items sensitive to heat around the fireplace.

Installation Planning

Mantel Clearances

Combustible Mantel—Left Side View

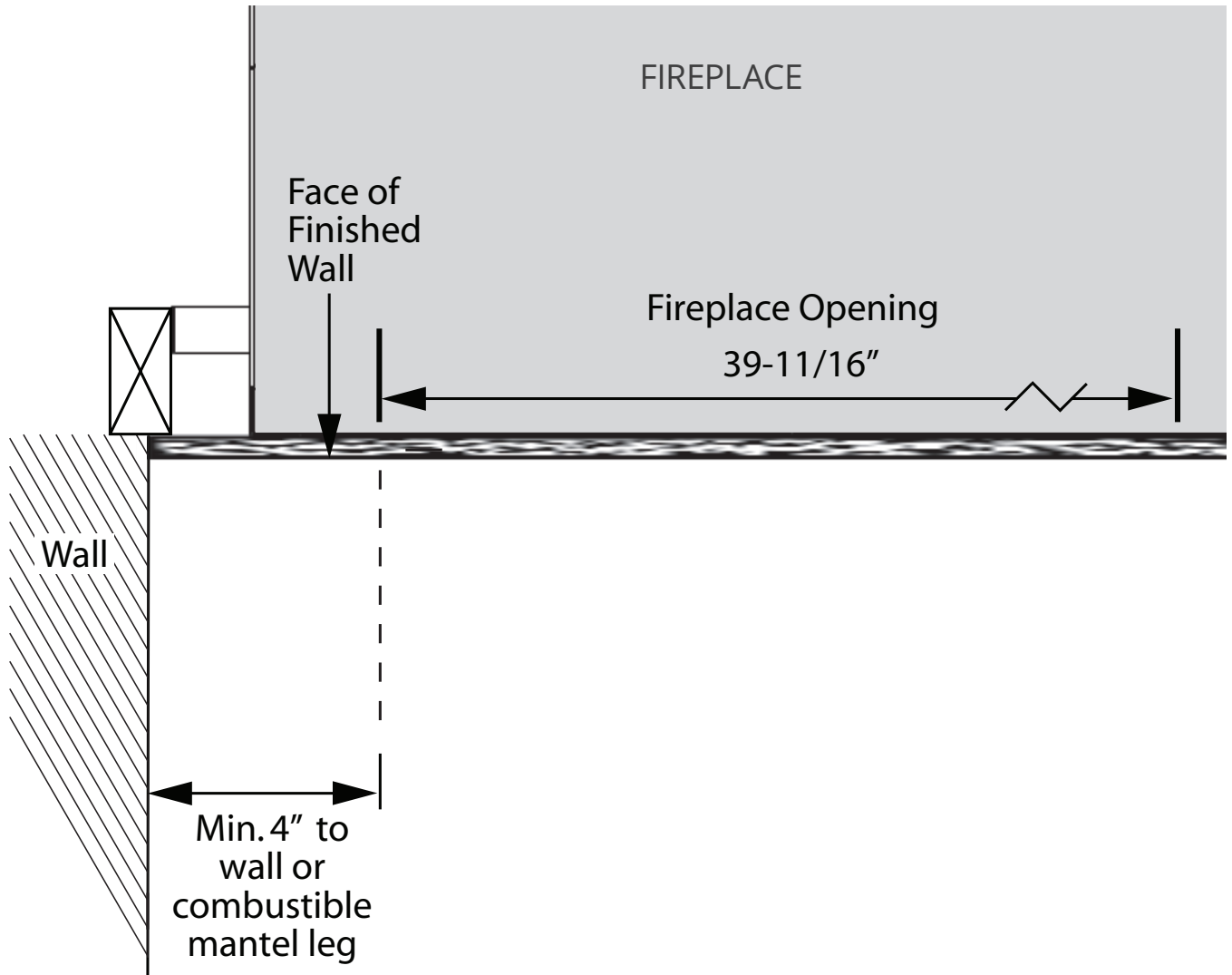
⚠ WARNING
HeatShift System MUST be installed on this appliance!



Installation Planning

Mantel Clearances

Combustible Sidewall / Mantel Leg—Top View



Installation Planning

Framing Dimensions



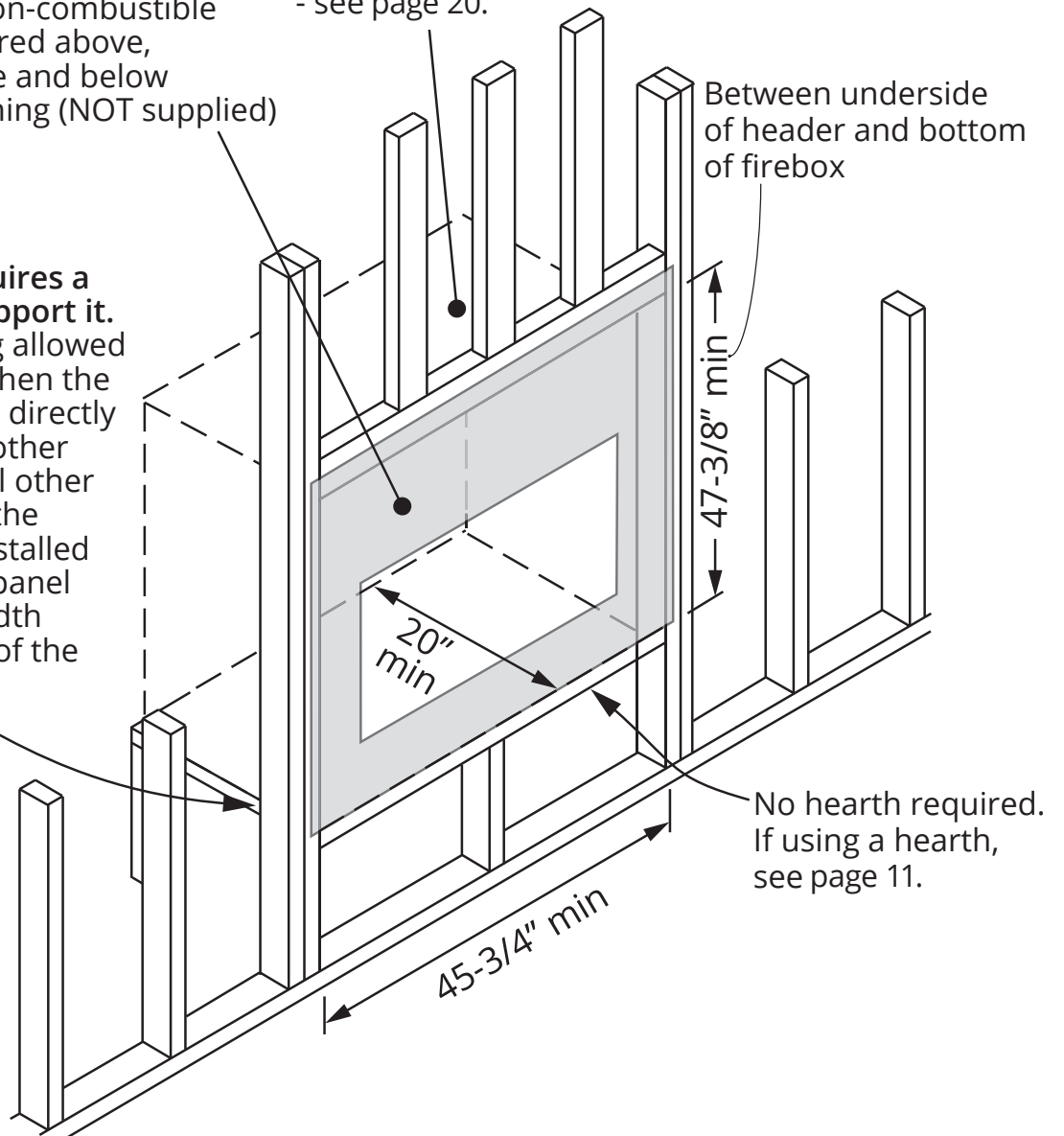
WARNING

HeatShift System MUST be installed on this appliance!

NOTE: Height of cavity may be affected by vent configuration - see page 20.

1/2" thick non-combustible board required above, on each side and below engine opening (NOT supplied)

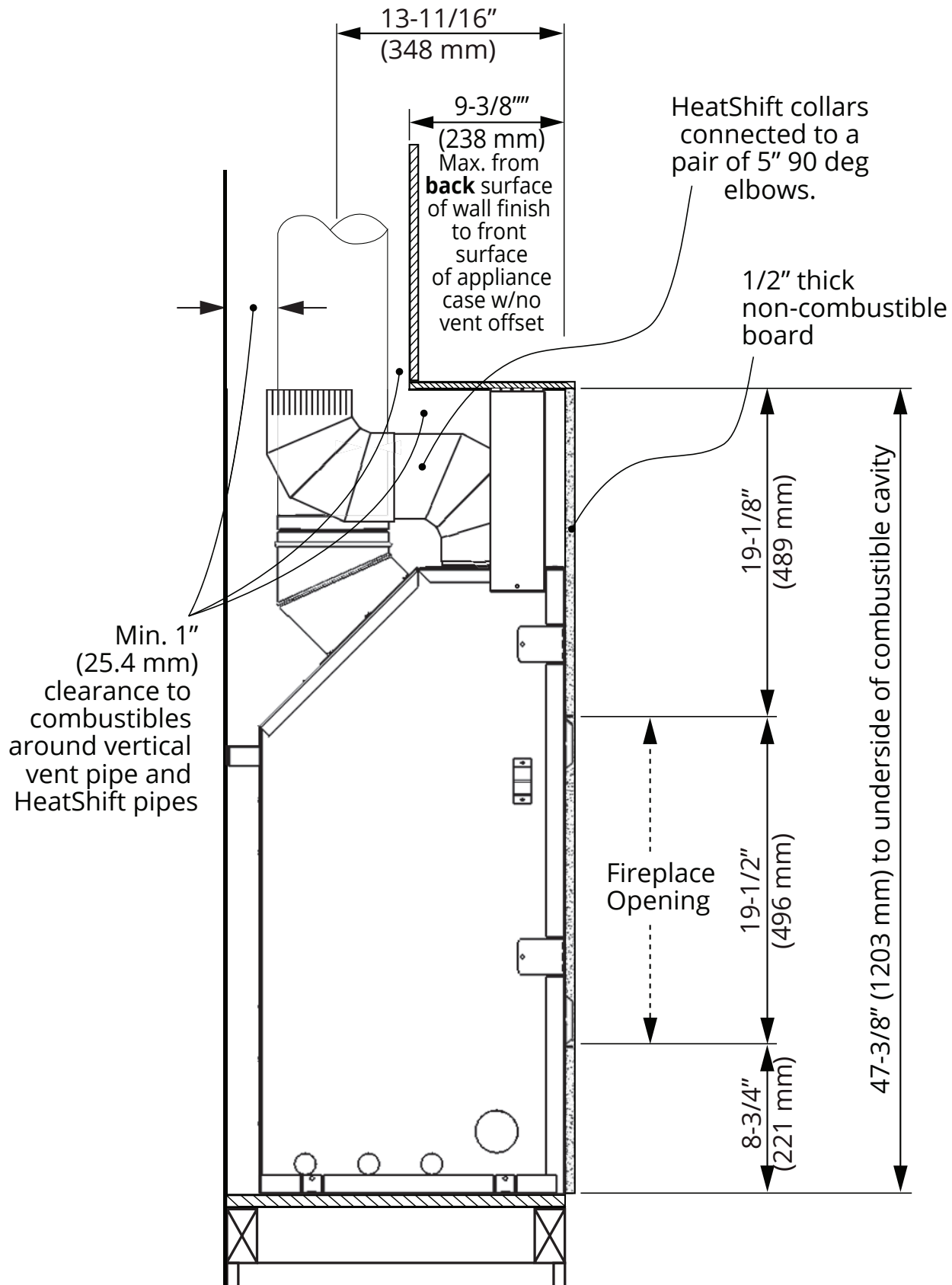
NOTE: This unit requires a solid platform to support it. Combustible framing allowed beneath fireplace. When the appliance is installed directly on carpeting, tile or other combustible material other than wood flooring, the appliance shall be installed on a metal or wood panel extending the full width and recessed depth of the appliance



Installation Planning

Framing

Framing with Partial Shelf—Top Outlet



Installation Planning

Wall Finish

Material Specifications

Non-Combustible

Material which will not ignite and burn. Such materials are those consisting entirely of steel, iron, brick, tile, concrete, slate, glass or plasters, or any combination thereof.

Materials that are reported as passing ASTM E 136, Standard Test Method for Behavior of Materials in a Vertical Tube Furnace at 750°C shall be considered non-combustible materials.

Combustible

Materials made of or surfaced with wood, compressed paper, plant fibers, plastics, or other material that can ignite and burn, whether flame proofed or not, or plastered or unplastered shall be considered combustible materials.

Non-Combustible Board

The LT1 Linear fireplace requires a 1/2" (13 mm) thick non-combustible board to be used as a wall surface immediately surrounding the unit's opening—see diagram for minimum coverage.

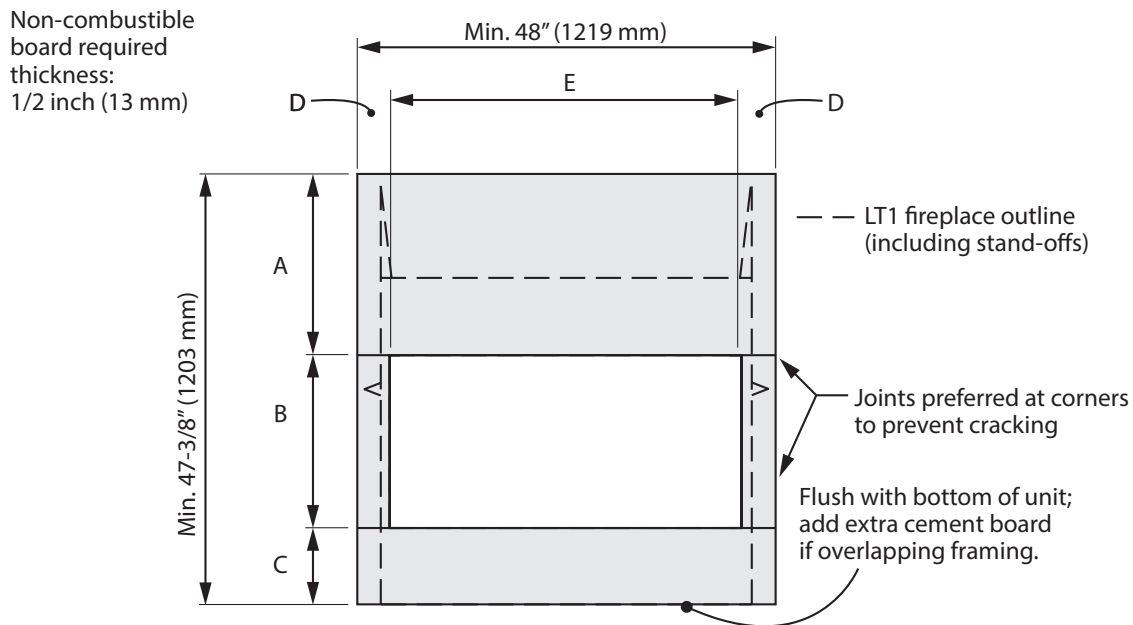
Extending the non-combustible board well beyond the minimum shown will help avoid cracking due to differential expansion of materials.

Pre-drill non-combustible board with oversized holes and do not over-tighten screws to avoid cracking due to heat expansion.

Standard gypsum wall board may be used beyond the perimeter of the non-combustible board.

Minimum Non-Combustible Board Dimensions

Minimum coverage area of non-combustible board.
Any **wall** finish applied to shaded area must be non-combustible.



| inches [mm] | With 2575 trim | With 2530CIK trim |
|-------------|--------------------|--------------------|
| A | Min. 20-1/2 [521] | Min. 20-1/8 [511] |
| B | 19-1/2 [496] | 21 [533] |
| C | Min. 8-11/16 [221] | Min. 8 [203] |
| D | Min. 4 [102] | Min. 3-3/8 [84] |
| E | Min. 39-7/8 [1011] | Min. 41-1/8 [1045] |

Installation Planning

Non-Combustible Finishing Over Non-Combustible Board

Additional material such as tile, etc., may be applied over top of the non-combustible board or you may choose to leave it finished clean with no tile, etc.

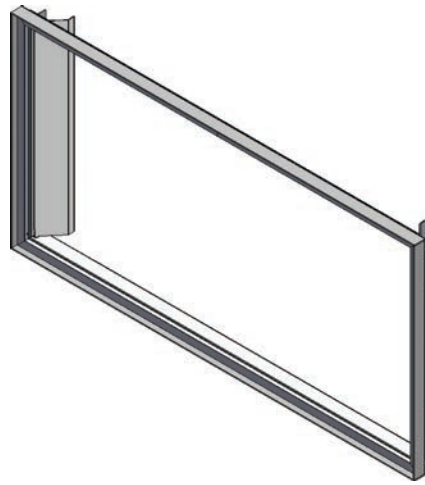
Be aware that a trim is always required. Finish should not cover the trims.

2575 Trim

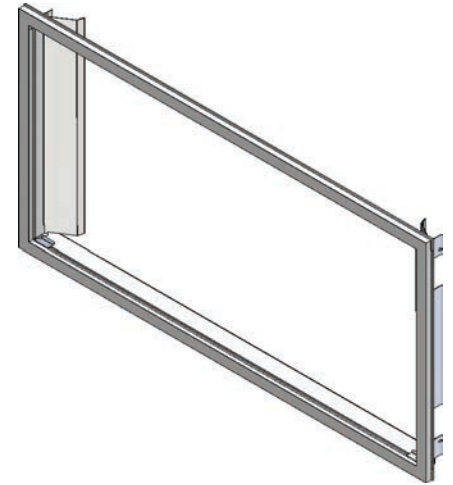
Only the 2575 style trim will accept tile, etc. tucked behind it (up to 5/8" thick for the 2575).

2530 Trim

2530 trim must be installed BEFORE non-combustible board. Non-combustible board and finishes are applied to the perimeter of the trim frame. Non-combustible board and finish CANNOT be tucked under this trim.



Clean Installation Kit (2530) does not adjust forward. Non-combustible board finishes up to perimeter of the trim. Must be installed **before** finish.



Narrow trim (2575) can adjust up to 5/8" forward of surface of non-combustible board

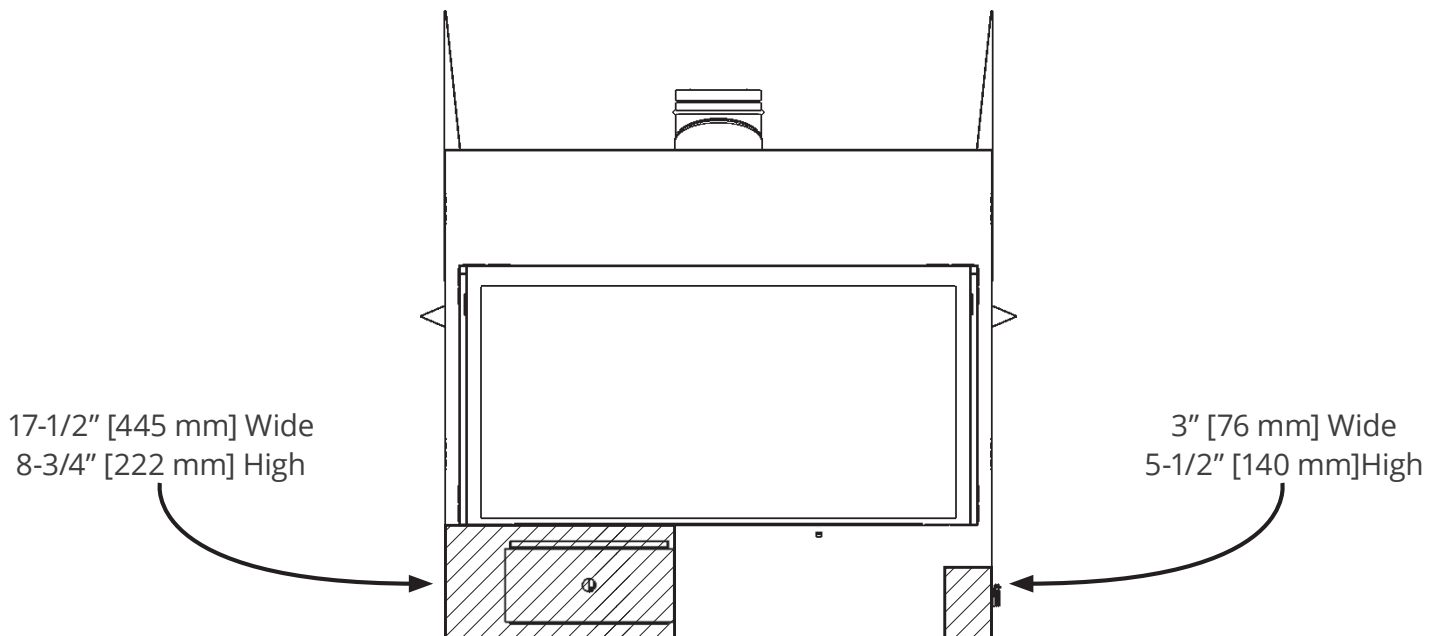
Do Not Drill/Screw Areas

The face of the fireplace must not be drilled or screwed into as shown below. These areas house electrical and/or control elements of the fireplace that could be damaged and present risk of injury.



WARNING

Do not drill or screw in these areas!



Installation Planning

Wall Finish

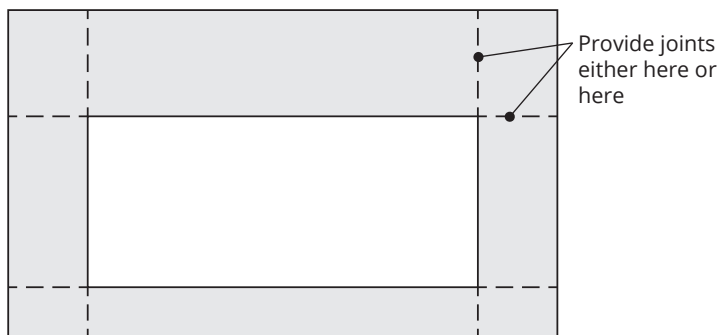
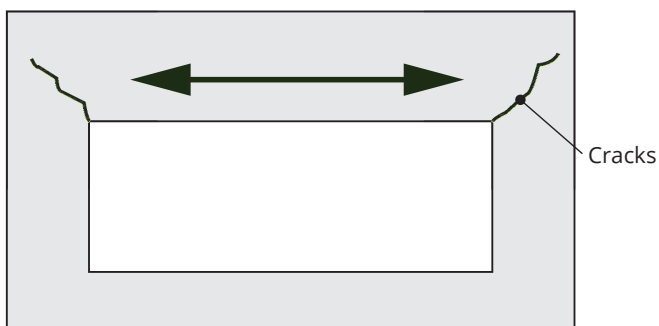
Avoiding Cracking Wall Finishes

If a clean finish with no tile, etc. is desired, joints in the non-combustible board and the transition to gypsum board will require special attention if future cracking is to be controlled. Be aware that temperatures on the non-combustible wall surface above the appliance can exceed 200°F (93°C).

Below are some tips on how to best avoid any cracking:

- Allow materials to dry thoroughly before finishing the wall. Non-combustible board has the ability to absorb up to 30 percent of its weight in water and may shrink as much as 1/8" over a 48" length when drying from a saturated condition. Running the fireplace for an extended period before final finishing will help drive out moisture.
- Always pre-drill screw holes through non-combustible board and use screws with self-milling head.
- Always use mesh tape over joints.
- Always stagger joints in wall board.

- Behind joints, double up studs or use studs "on the flat" to add extra support to the joint. Adhesive on the backside of wall board behind any joints can help control differential movement.
- Use multiple, thinner coats of joint compound and allow to dry thoroughly between coats.
- Ensure framing materials are dry.
- After finishing the wall, introduce heat gradually to slowly dry any excess moisture rather than drying too fast.
- Avoid notching non-combustible board or tiles around corners of window opening and instead provide a joint that intersects the corner.
- Avoid using large one-piece slab of material with a cut-out in the middle as a surround for the fireplace. Expansion above the opening will cause cracking at inside corners. Provide a joint that intersects the inside corner to avoid cracking.



Venting

Overview

Top or Rear Outlet

This unit is supplied with a vent outlet which can be installed either as top facing or rear facing. See *Appliance Preparation* section for more information.

Vent Material

This unit is approved for installation using 4 x 6-5/8 inches co-axial direct vent pipe and accessories as listed in the *Approved Venting Components* section on pages 61–62 of this manual. Follow the installation instructions supplied with the individual venting accessories.

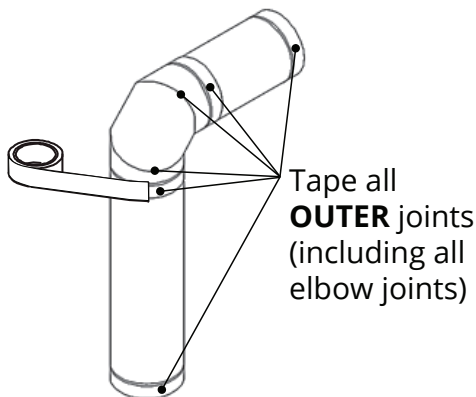
This unit may also be converted to co-linear (3" x 4") venting for use in solid-fuel burning fireplaces and chimneys using adapters and accessories—see list in the *Approved Venting Components* section on pages 61–62 of this manual.

Vent Sealing

Seal all outer coaxial pipe and elbow joints, including sectioned elbow joints, using high quality, high temperature 2 inch wide self-adhesive aluminum foil tape (Nashua-322-2 brand or similar). Wrap the tape completely around all joints and press firmly to seal.

A high temperature black silicone sealant may be used in the outer joints as a substitute to foil tape.

Ensure all the pipe joints have a minimum of 1 ¼ inch overlap.

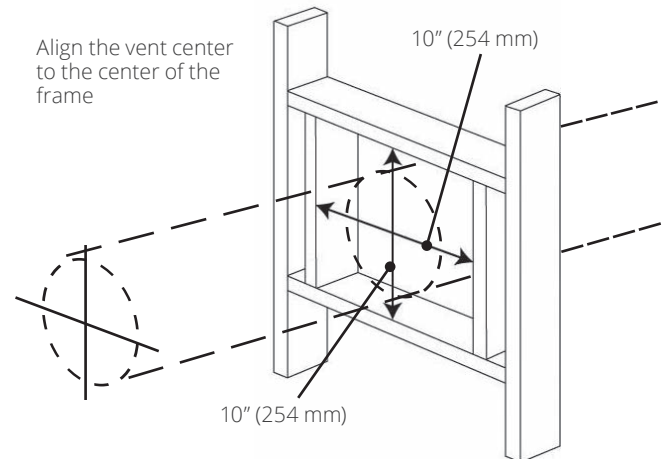


Wall Thickness

The appliance vent is suitable for penetrating a combustible wall assembly up to 8 inches in thickness. A non-combustible wall can be of any thickness up to the maximum horizontal run of vent pipe allowed for the particular installation.

Framing Vent in Combustible Walls & Ceilings

When penetrating through combustible walls and ceilings, frame a minimum of 10 in x 10 in opening and ensure that the insulation is kept clear of the vent pipe using either a wall thimble or an attic insulation shield. Follow the installation instructions supplied with the individual venting components.



Important Installer Notice – Weather Sealing & Vapor Barriers

It is the installer's responsibility to ensure that vent installations through exterior walls are caulked and weatherproofed in such a manner as to:

- Prevent rain water from entering the wall from the weather side by adequately caulking the outer vent plate to the exterior wall surface.
- Prevent moisture inside the home from penetrating into the wall structure by ensuring the inside wall plate is adequately sealed to the inside vapor barrier.
- Prevent rain water and moisture from entering the walls by sealing the joints between the outer vent tube and the inner and outer wall plates.

We recommend the use of a high quality polyurethane sealant.

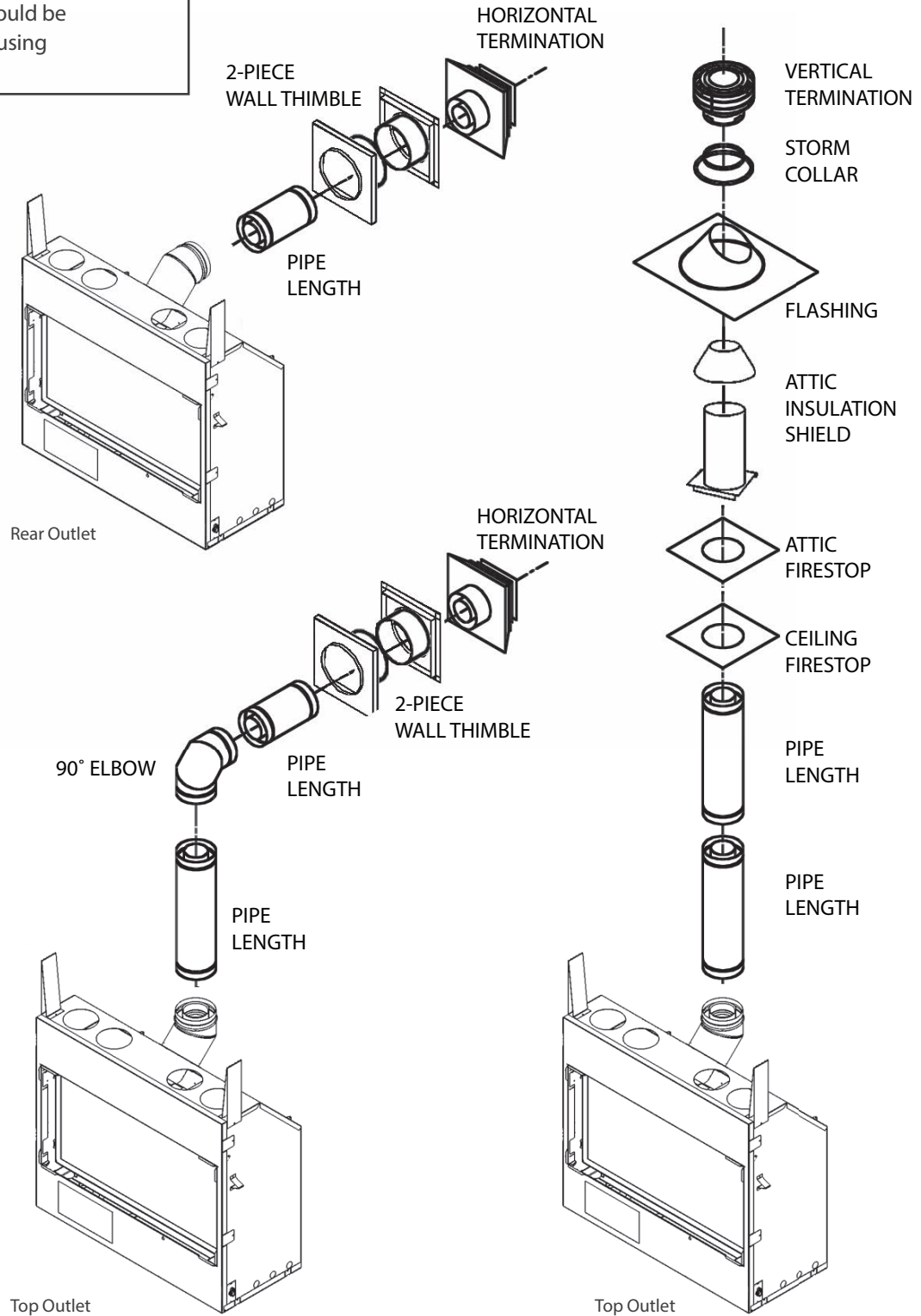
All horizontal pipe runs must be graded 1/4 inch per foot upwards in the direction of the exhaust flow. The final pipe length, when terminating through the wall may be graded downwards slightly to prevent water migration.

Venting

Co-Axial

Typical Co-axial Venting Components

Note: Provide support for vertical pipe runs, particularly at offsets. Do not rely on the appliance for support of long vertical pipe runs. Horizontal pipe runs should be supported every 4 feet using strapping.



How to Read the Venting Chart

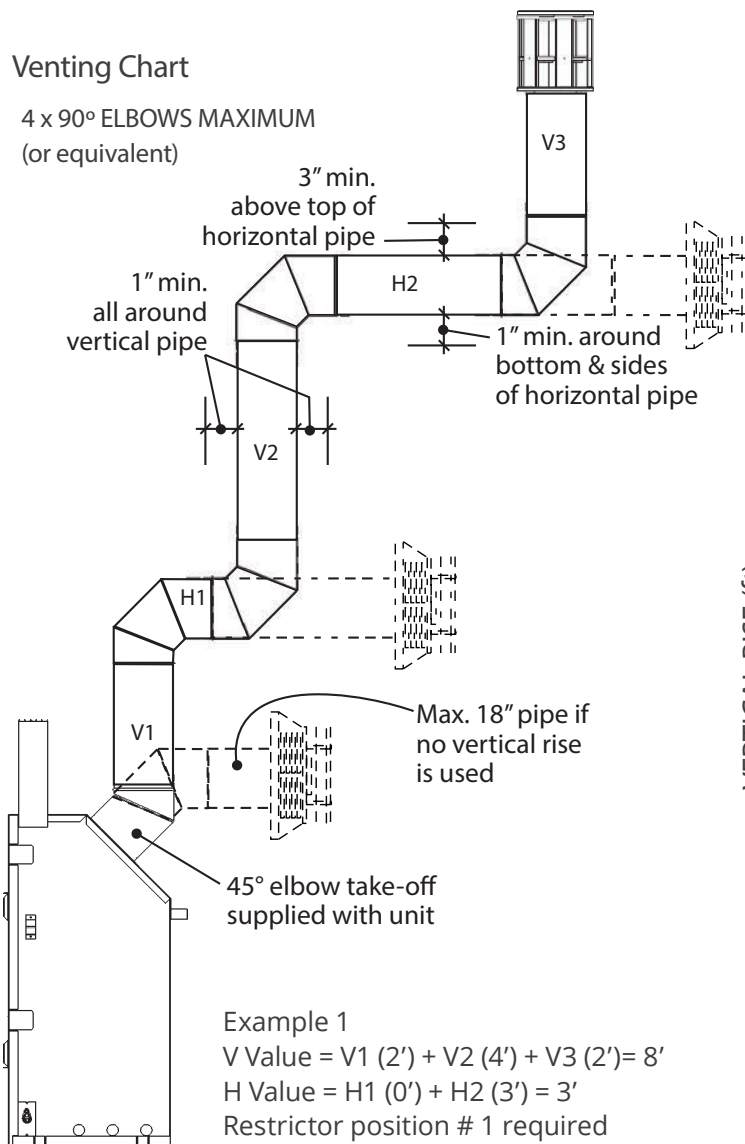
The chart below applies to co-axial roof or wall termination.

1. The total length of the vent pipe cannot exceed 40 feet.
2. The minimum vertical height with roof termination is 6 feet.
3. Any combination of rise and run can be used as long as they are within the allowable limits shown on the chart below.
4. A maximum of 4 x 90 degrees elbows—or equivalent (2 x 45 degrees = 90 degrees)—can be used. Excludes the 45 degrees take-off elbow shipped with the appliance.

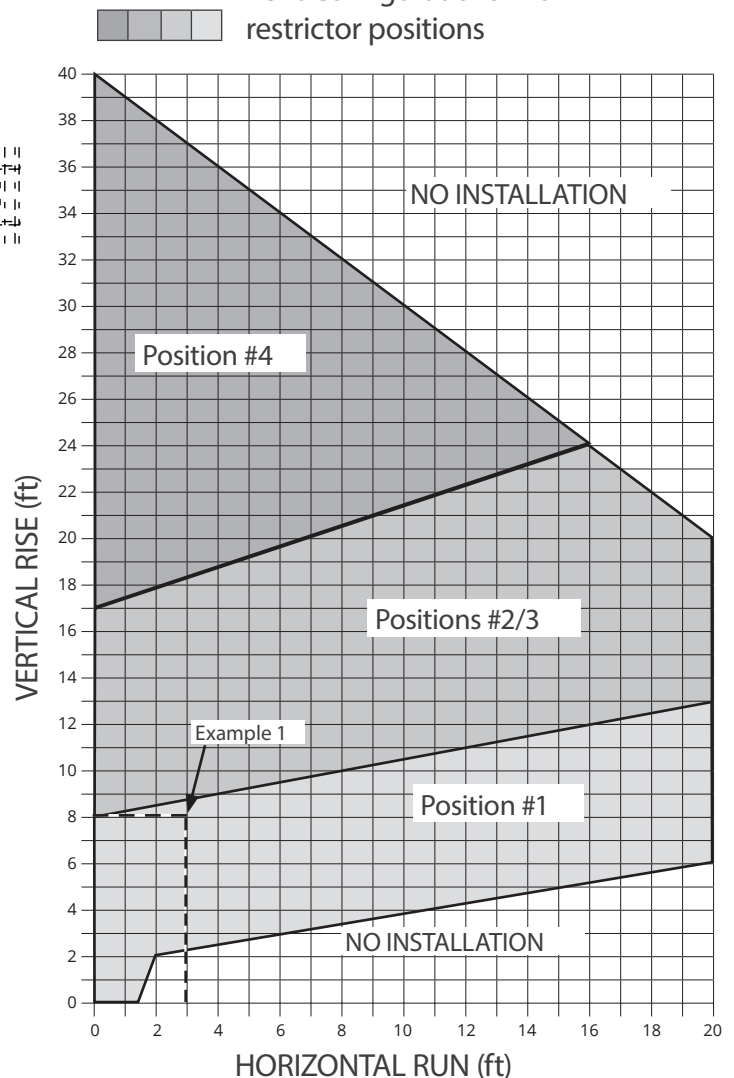
5. Each 90 degrees elbow installed on the horizontal plane is equivalent to a 3 feet horizontal pipe; therefore, 3 feet must be subtracted from allowable horizontal run. (45 degrees elbow is equivalent to 18 inches horizontal pipe.)
6. All horizontal pipe runs must be graded 1/4 inch per foot upwards in the direction of the exhaust flow. The final pipe length, when terminating through the wall may be graded downwards slightly to prevent water migration.
7. A restrictor adjustment is required for most installations having a vertical rise—see next section.
Note: The restrictor is shipped installed at the exhaust exit of the firebox.

Venting Chart

4 x 90° ELBOWS MAXIMUM
(or equivalent)



Allowable Co-Axial Vent Configurations with restrictor positions



Venting

Restrictor Settings

The restrictors are located in the roof of the firebox hidden above the top liner panel. Adjust the restrictors before installation of the top liner panel. Should subsequent adjustment be required, you will need to remove the top liner panel—see page 43.

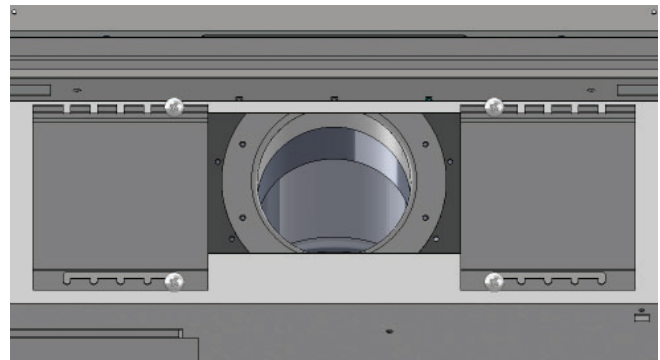
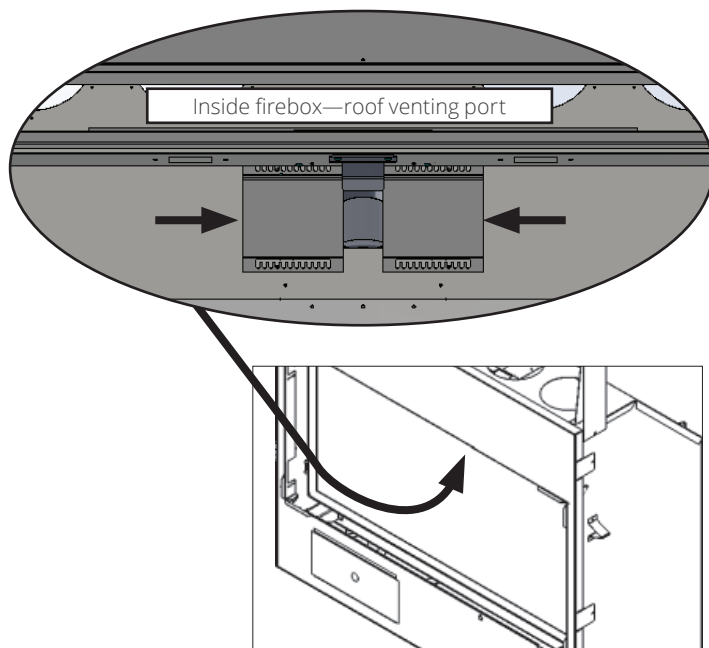
ALL INSTALLATIONS REQUIRE A RESTRICTOR for improved flame picture and performance. This unit is supplied with pre-fitted restrictors having four different positions or settings. The restrictors are shipped mounted at the maximum open position which is used for rear venting with no vertical rise. The level of restriction required depends on the vertical rise in the venting system and, to a lesser degree, the horizontal run and number of elbows.

The amount of restriction is based on laboratory tests. The ideal restrictor position may vary slightly, especially when the vent pipe length is near the limits of the acceptable configurations for each type of restrictor.

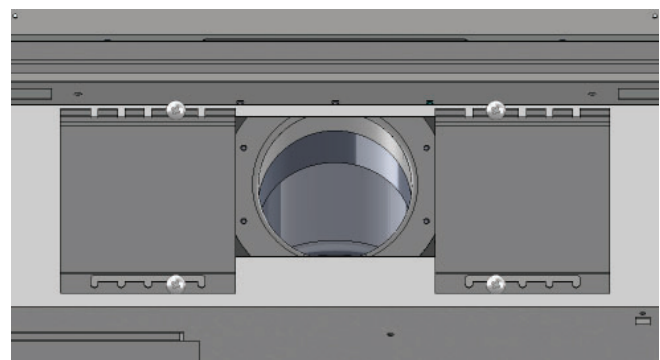
The chart on the previous page shows the vent restrictor required relative to the length of the vent pipe.

To set the restrictor position:

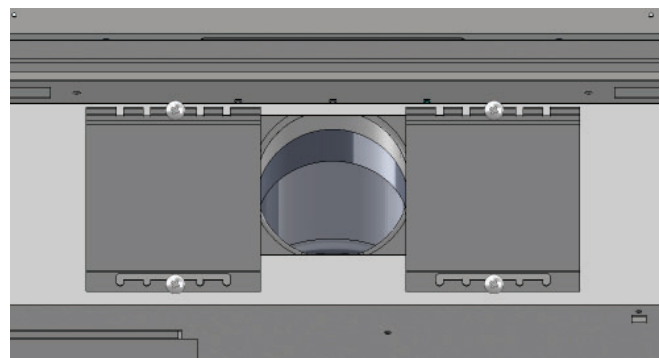
1. Establish the required position of the restrictor looking up the venting table on the previous page.
2. Release the screws (2) on each side of each of the restrictors already installed on the firebox roof port.
3. Slide the restrictor in the required position.
4. Tighten the screws.



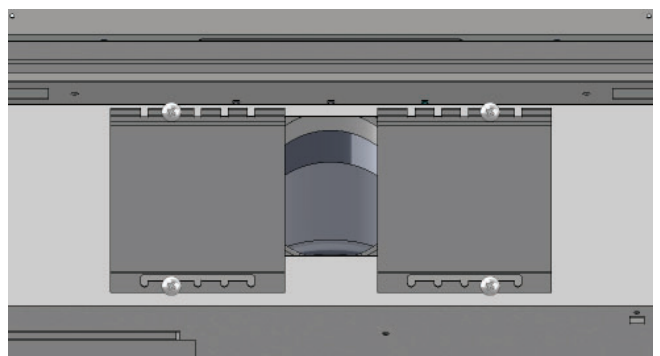
Position #1



Position #2



Position #3



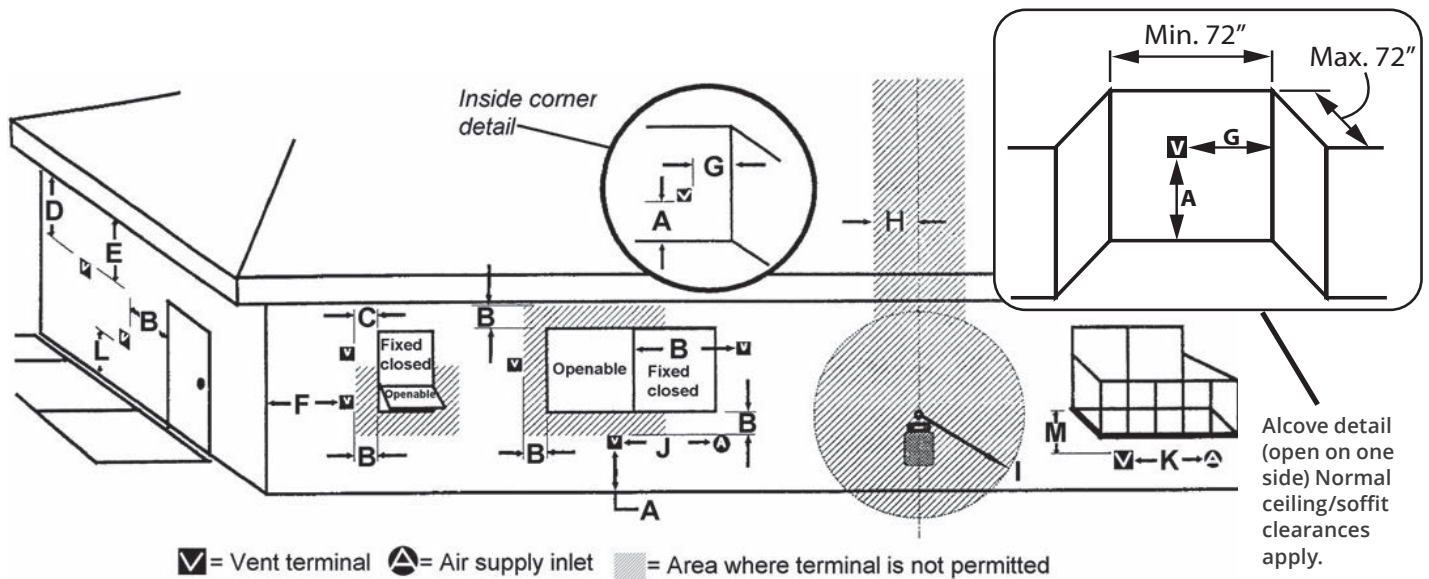
Position #4

Horizontal Vent Termination Location

- The vent terminal must be located on an outside wall or through the roof.
- This direct vent appliance is designed to operate when an undisturbed airflow hits the outside vent terminal from any direction.
- The minimum clearances from this terminal that must be maintained when located on an outside wall are shown in figure below. Any reduction in these clearances could result in a disruption of the

airflow or a safety hazard. Local codes or regulations may require greater clearances.

- The vent terminal must not be recessed into a wall or siding.
- The vent terminal should be positioned where any snowdrifts will not cover it.
- Sidewall vent terminations require a terminal guard such as 658TG or 845TG when accessible—within 7' of ground.



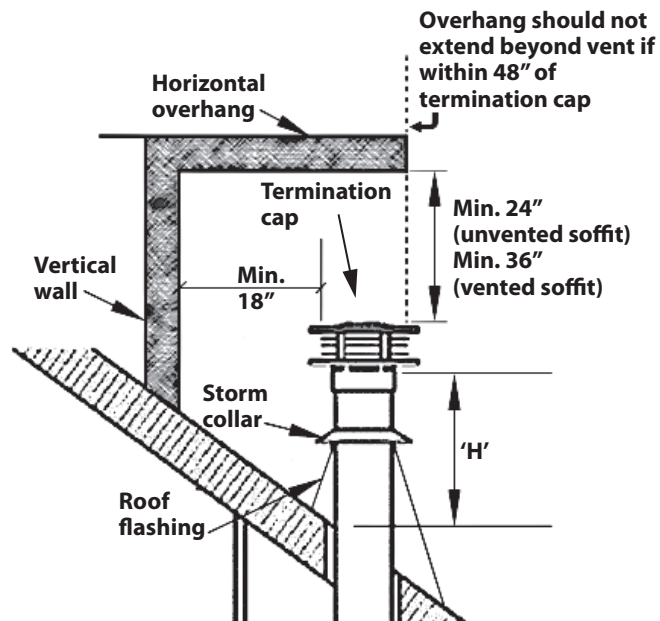
| KEY | VENT TERMINAL LOCATIONS - MINIMUM DISTANCES | MINIMUM CLEARANCE | |
|-----|--|-------------------|-----|
| | | Inches | Cm |
| A | Clearance above grade, verandah, porch, deck or balcony | 12 | 30 |
| B | Clearance to window or door that may be opened | 12 | 30 |
| C | Clearance to permanently closed window (recommended to prevent condensation on window) | 12 | 30 |
| D | Vertical clearance to ventilated soffit located above the terminal within a horizontal distance of 2 feet (60 cm) from the center-line of the terminal | 18 | 46 |
| E | Clearance to unventilated soffit | 12 | 30 |
| F | Clearance to outside corner (measured from the center of vent) | 12 | 30 |
| G | Clearance to inside corner (measured from the center of vent) | 12 | 30 |
| H | Horizontal clearance to center-line of meter/regulator assembly located within 15 feet (4.6 m) below the terminal | 36 | 90 |
| I | Clearance to service regulator vent outlet | 36 | 90 |
| J | Clearance to non-mechanical air supply inlet to the building or the combustion air inlet to any other appliance | 12 | 30 |
| K | Clearance to a mechanical air supply inlet | 72 | 180 |
| L | Clearance above paved sidewalk or a paved driveway located on public property Note: A vent must not terminate directly above a sidewalk or paved driveway, which is located between two single-family dwellings and serves both dwellings. THIS DOES NOT APPLY to direct vent, non-condensing appliances in the Province of Ontario. | 84 | 210 |
| M | Clearance under a verandah, porch, deck or balcony <i>Only permitted if veranda, porch, deck or balcony is fully open on a minimum of 2 sides beneath the floor</i> | 12 | 30 |

Note: Local codes and regulations may require different clearances.

Venting

Vertical Vent Termination

| Roof Pitch | Minimum "H" (feet) |
|---------------------|--------------------|
| Flat to 7/12 | 1' |
| Over 7/12 to 8/12 | 1.5' |
| Over 8/12 to 9/12 | 2' |
| Over 9/12 to 10/12 | 2.5' |
| Over 10/12 to 11/12 | 3.25' |
| Over 11/12 to 12/12 | 4' |
| Over 12/12 to 14/12 | 5' |



Co-Linear Conversion Installations

Note: Co-linear portion of vent system may only be installed within a solid-fuel burning fireplace and chimney.

The appliance can be adapted to co-linear applications using an existing chimney. The appliance must not be connected to a chimney flue serving a separate solid-fuel burning appliance.

The appliance must be fully enclosed while maintaining clearances to combustibles detailed elsewhere in this manual.

Types of Installations

- Partial installation into an existing fireplace
- Installation into an adjacent chimney

See the following pages for each installation details.

Rules for Co-Linear Venting

- Maximum 40 feet vertical pipe
- Minimum 10 feet vertical
- Maximum offset 8 feet with liners at minimum 45 degrees from horizontal plane
- Restrictor: Set to Position 4 (see page 21).

Note: Co-linear flexible aluminum venting should be professionally inspected periodically for corrosion and damage and replaced when necessary. If the installation does not allow for future inspection or replacement of the flexible aluminum venting, then stainless steel vent liners should be used.

Venting

Co-Linear Conversion

Installation Partially Into Fireplace Cavity

Required accessories:

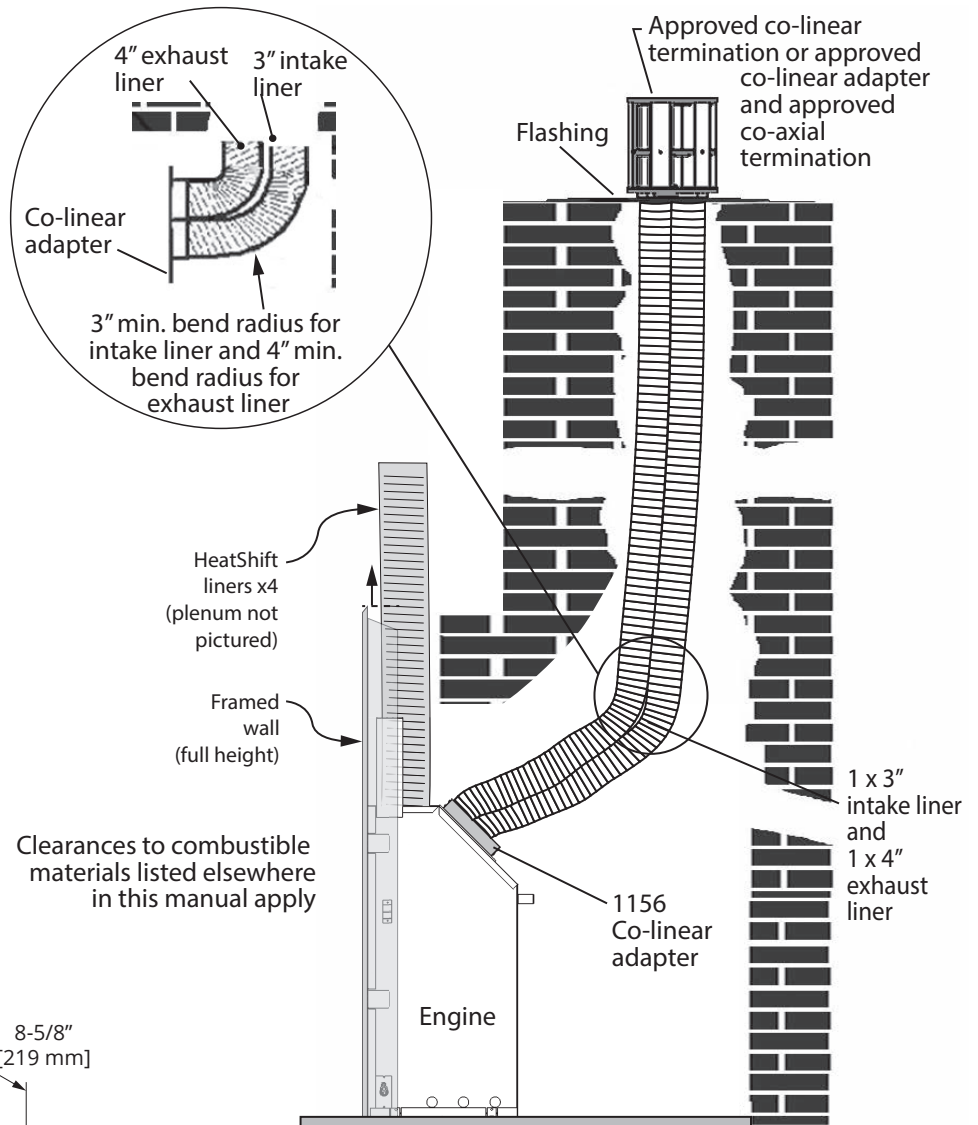
- Co-axial to co-linear adapter at appliance, Valor 1156CLA or equivalent;
- 2 lengths of 2-ply, flexible chimney liner approved for venting gas appliances:
 - 1 x 3-inch diameter for air inlet and
 - 1 x 4-inch diameter for exhaust;
- Co-linear termination kit 3 x 4 and flashing or co-linear to co-axial adapter and either high wind vertical vent terminal cap or a low profile vertical termination.

This appliance must be completely framed and maintain clearances to combustibles as shown in this manual.

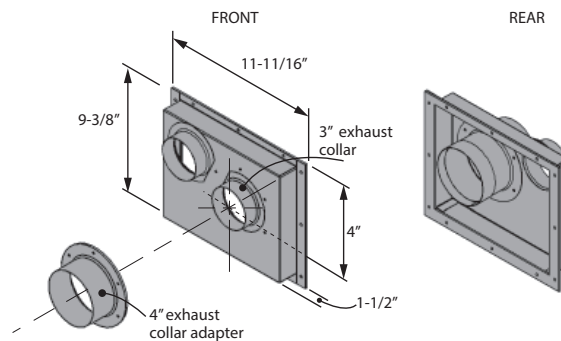
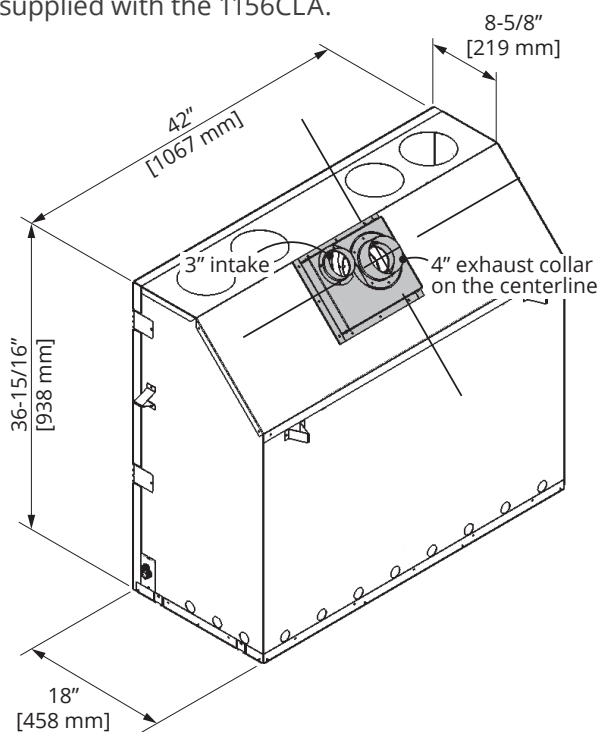
Restrictor must be set to Position 4 (see page 21).

Installation Using 1156CLA

For installation of the adapter to the appliance, see the instructions supplied with the 1156CLA.



Clearances to combustible materials listed elsewhere in this manual apply



Venting

Co-Linear Conversion

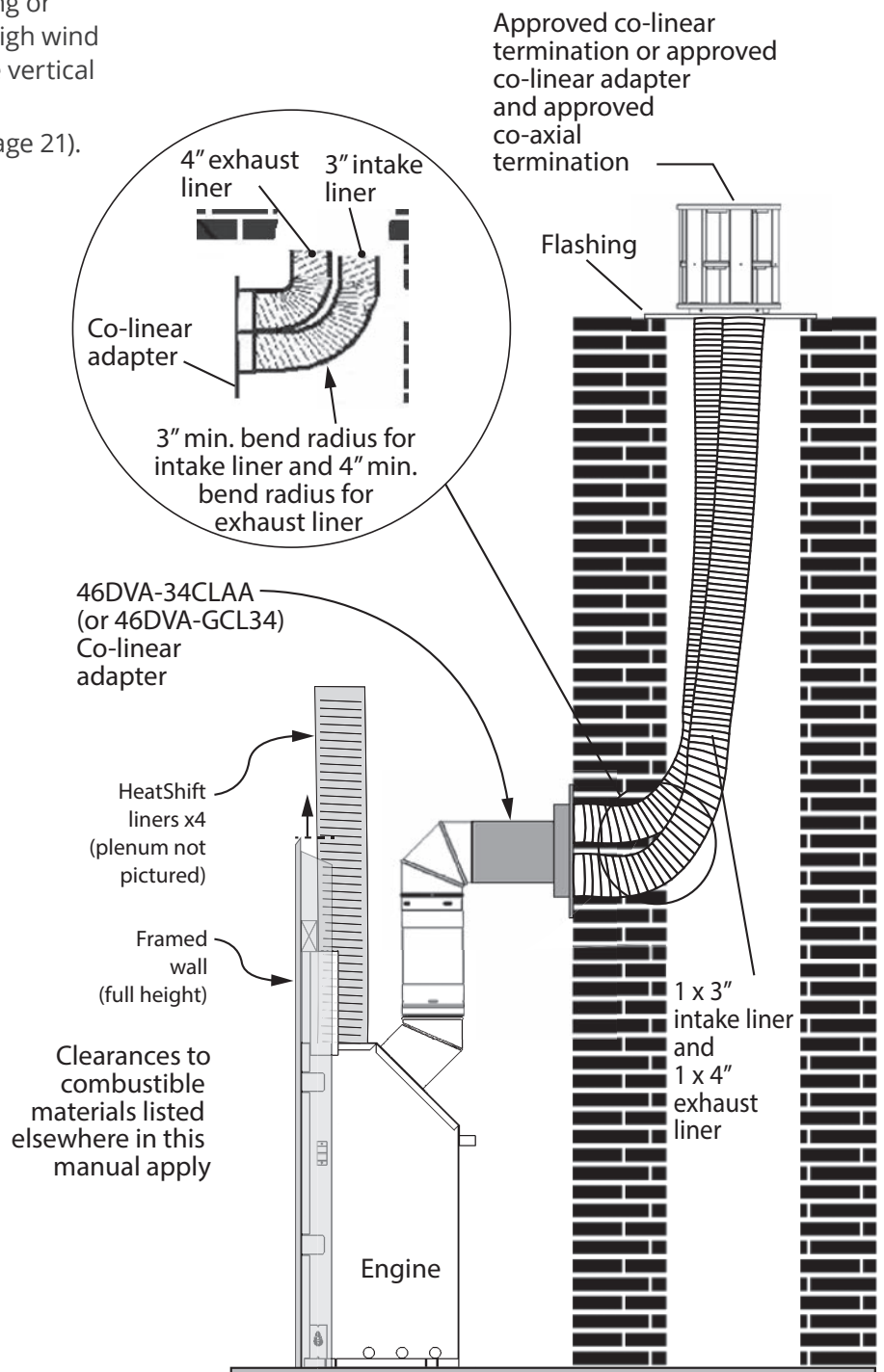
Installation Into an Adjacent Chimney

Required accessories:

- Co-axial to co-linear adapter at chimney face, 46DVA-34CLAA or equivalent;
- 2 lengths of 2-ply, flexible chimney liner approved for venting gas appliances:
 - 1 x 3-inch diameter for air inlet and
 - 1 x 4-inch diameter for exhaust;
- Co-linear termination kit 3 x 4 and flashing or co-linear to co-axial adapter and either high wind vertical vent terminal cap or a low profile vertical termination.

Restrictor must be set to Position 4 (see page 21).

This appliance must be completely framed and maintain clearances to combustibles as shown in this manual.



Venting

Co-Linear Conversion

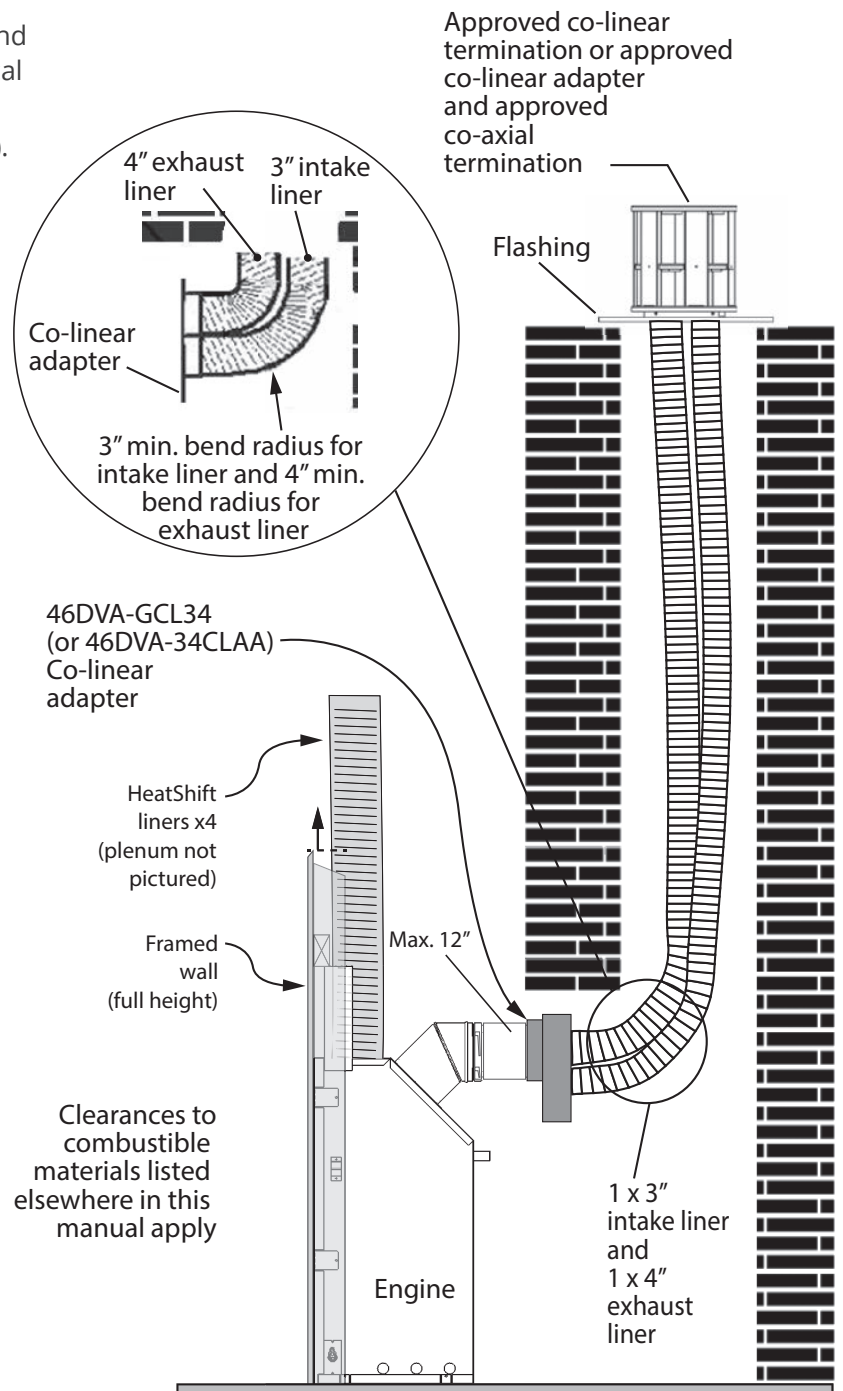
Installation Into an Adjacent Chimney

Required accessories:

- Co-axial to co-linear adapter at chimney face, 46DVA-GCL34 or equivalent;
- 2 lengths of 2-ply, flexible chimney liner approved for venting gas appliances:
 - 1 x 3-inch diameter for air inlet and
 - 1 x 4-inch diameter for exhaust;
- Co-linear termination kit 3 x 4 and flashing or co-linear to co-axial adapter and either high wind vertical vent terminal cap or a low profile vertical termination.

Restrictor must be set to Position 4 (see page 21).

This appliance must be completely framed and maintain clearances to combustibles as shown in this manual.

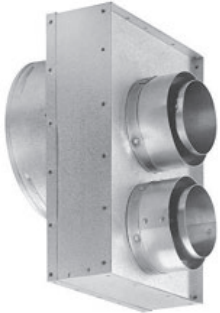


Venting

Co-Linear Conversion

Example of Co-linear Conversion Accessories

Examples of Co-axial to Co-linear Appliance Adapters

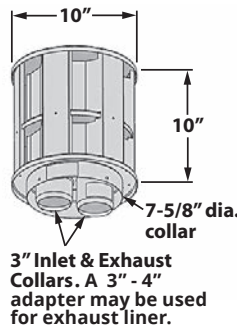


46DVA-GCL34

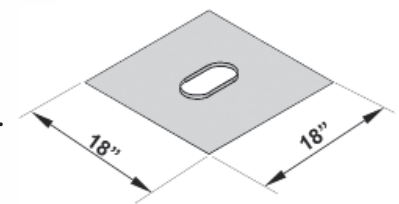


46DVA-34CLAA

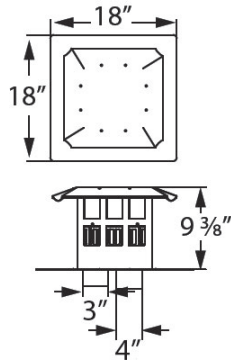
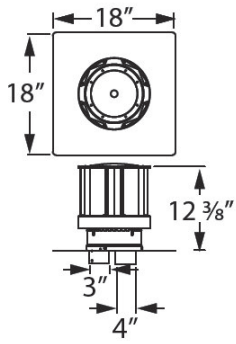
Examples of Co-linear Terminal Configurations



Co-Linear Terminal (typical)

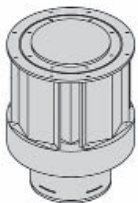


Flashing Kit



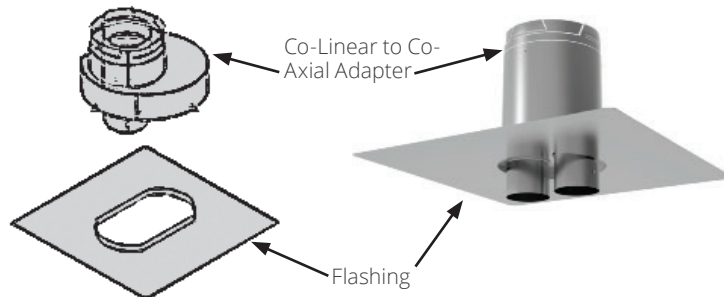
Co-linear Termination Kits

Alternate Co-linear to Co-axial Conversion at Terminal



Co-axial Terminal Cap

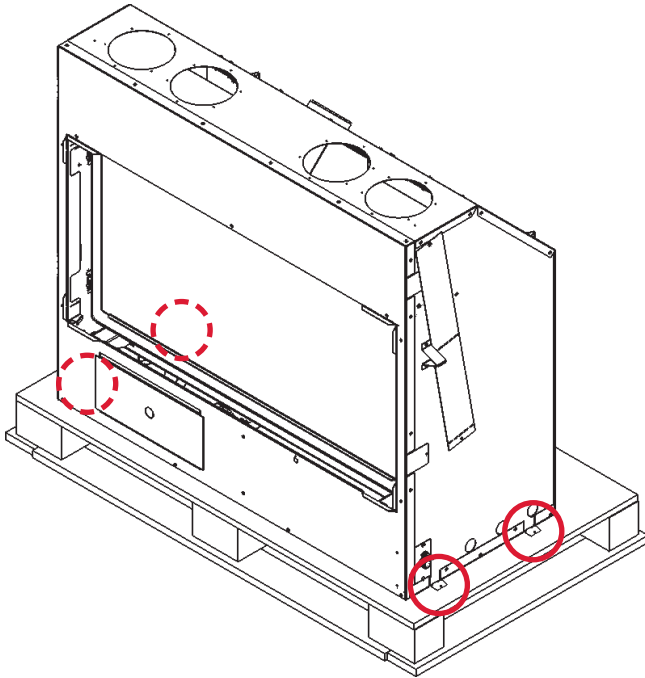
With...



Unpack Appliance

Beware of sharp edges! Wear gloves!

1. Unpack the appliance and all material around it.
2. Unpack any loose items from around the appliance.
3. Remove vertical crating walls.
4. Unscrew the 4 tabs retaining the appliance to the pallet.



5. Bend the retaining tabs up, flush against the appliance (unless you plan to screw the unit to the cavity floor upon installation).
6. Remove the window and set aside in a safe place to avoid damage—see page 30.
7. Remove all items packed inside the appliance.
8. **Verify that you have all the components required for the installation using the Pack Content List, including:**
 - unit vent elbow (in separate box within unit);
 - HeatShift system components;
 - approved non-combustible board (not included);
 - liners and fuel bed (in separate cartons);
 - trim kit with barrier screen;
 - other venting components and accessories;
 - electrical components.
9. Recycle or safely dispose of all removed packing materials.

Installation

Window Removal

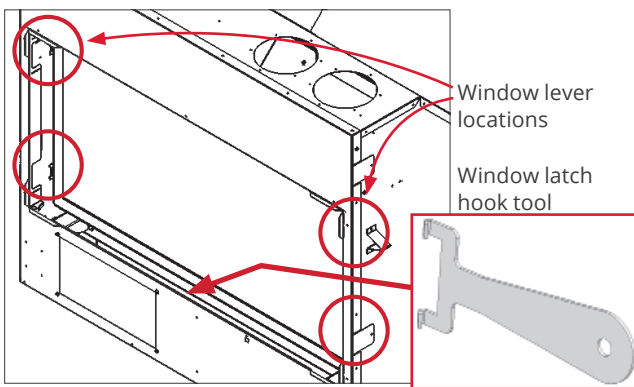
WARNING

Risk of severe burns! Surfaces of the fireplace are very hot during operation. Ensure fireplace has cooled off before touching it.

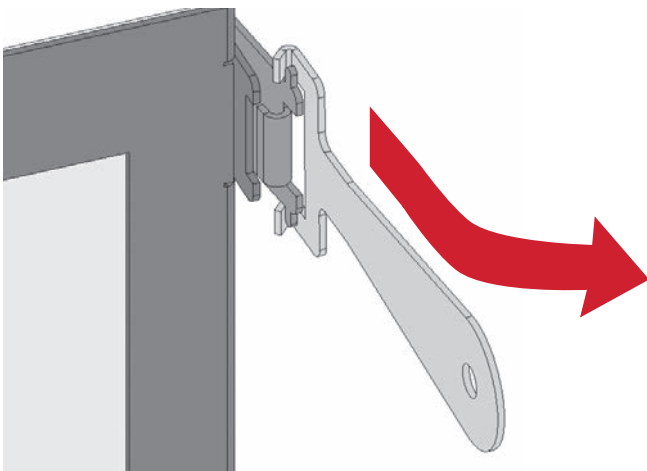
Remove the Window

The windows are attached to the firebox by 4 levers in the corners.

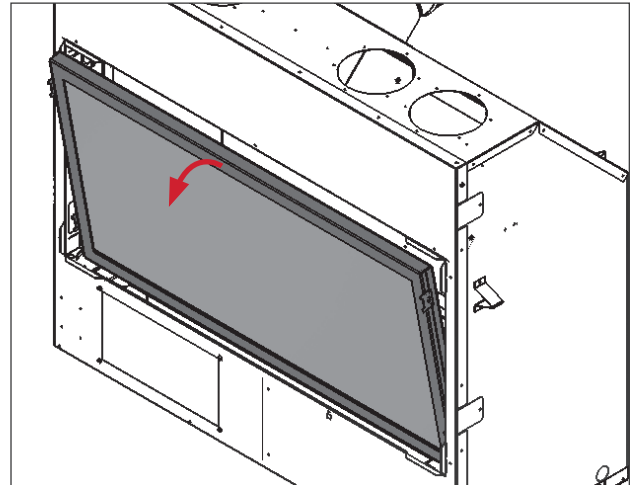
1. Locate window lever hook tool under the firebox.



2. Using the window latch hook tool, pull the bottom levers towards you and unhook them from the window frame bracket, then repeat for the top levers while supporting the window with your hand.



3. Gently pull the top of the window outward.



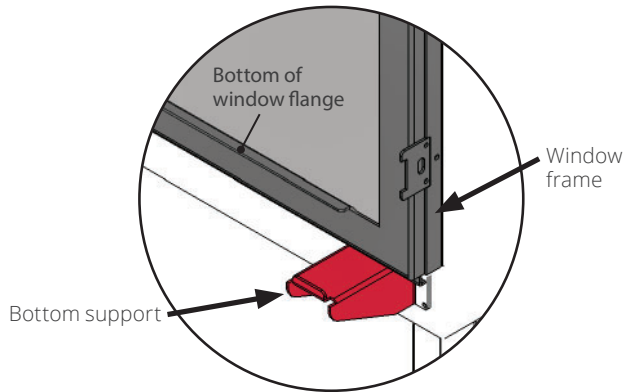
4. Lift the window off of its bottom supports and set it aside in a safe place to avoid damage.

Installation

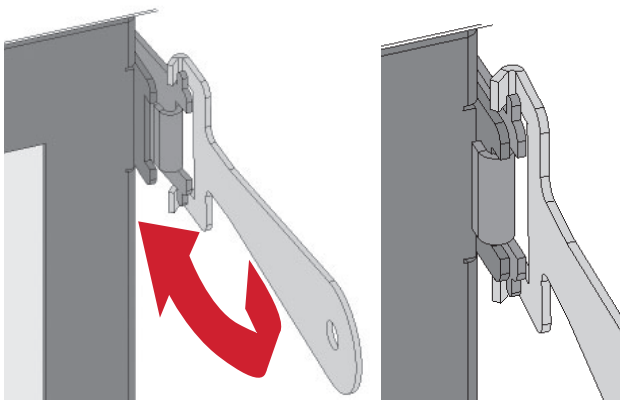
Window Reinstallation & Check

Refit and Check Window

1. Place the window on its bottom supports (one at each end) and center the window. Ensure the window flange is at the bottom.



2. While holding the top of the window frame against the firebox, pull and hook the top side levers to their corresponding tabs on the window frame.



3. Hook the bottom side levers to their corresponding tabs on the window frame. All four levers should now be connected. Replace the tool under the firebox.
4. Pull out top of window to test and ensure spring loaded levers work properly, and repeat at the bottom of the window.
5. Apply firm hand pressure around the window frame to ensure the window is sealed tight against the firebox.
6. If the Hot Glass Warning plate has been removed from the front lower corner of the window, re-install it by sliding it between the glass and the frame as indicated.

WARNING

The window unit must be correctly installed, fastened and sealed after servicing or serious bodily injury and/or damage to the appliance may result.

To ensure a safe operation:

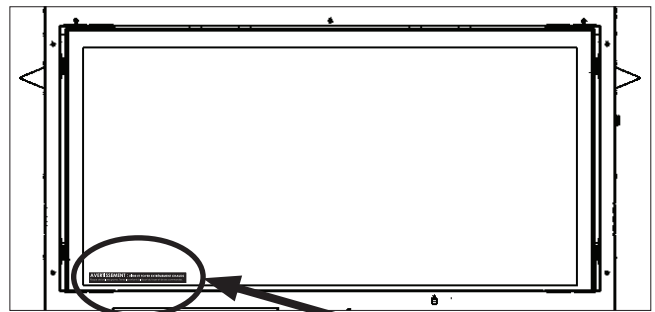
- Double-check that the bottom of the window frame is correctly installed on the bottom supports;
- Verify that all 4 levers are hooked properly to the window tabs then;
- Pull out the top of the window and release it to ensure the springs return it, and repeat at the bottom of the window;
- Ensure the window is sealed before operation.

WARNING

Failure to install the window correctly can:

- Leak carbon monoxide.
- Affect the performance of the fireplace.
- Damage components.
- Cause overheating resulting in dangerous conditions.

Damage caused by incorrect window installation is not covered by the Valor Warranty.



! WARNING: EXTREMELY HOT GLASS AND FIREPLACE
Risk of severe burns. Keep Children away from fireplace & controls.
Risque de brûlures graves. Tenez les enfants à l'écart du foyer et des commandes.
AVERTISSEMENT : VITRE ET FOYER EXTREMEMENT CHAUDS

! WARNING: EXTREMELY HOT GLASS AND FIREPLACE
Risk of severe burns. Keep Children away from fireplace & controls.

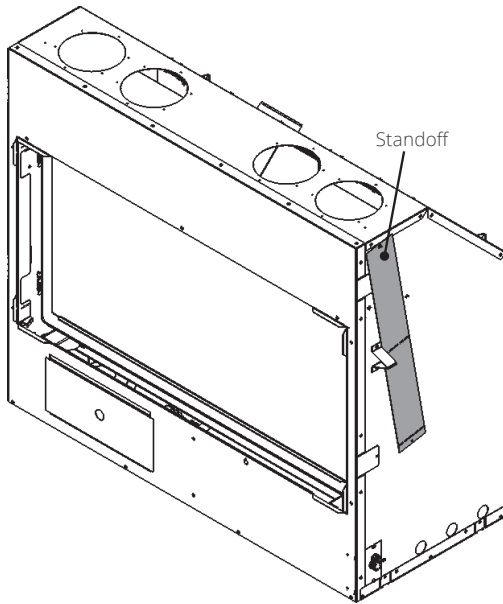
Hot Glass Warning Plate

Installation

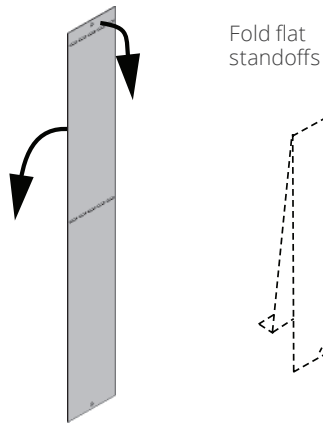
Appliance Preparation

Fit Standoffs

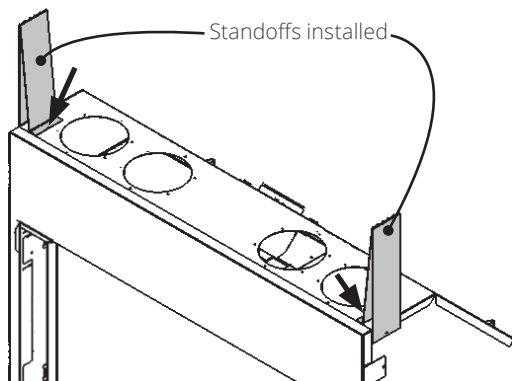
The two top standoffs are supplied hanging on each end of the firebox.



1. Swivel the flat standoffs upright.
2. Bend the standoffs as shown along perforations.



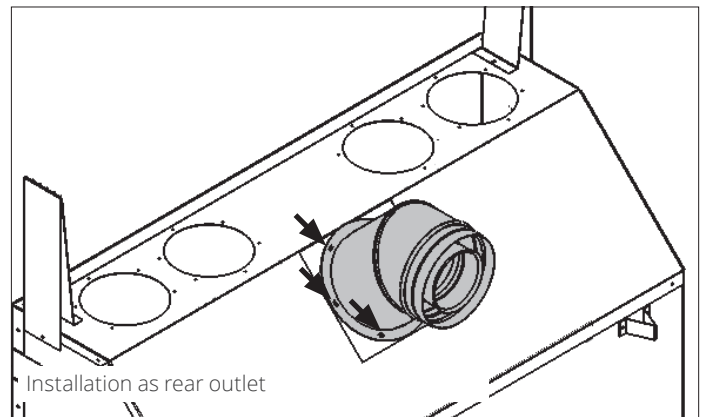
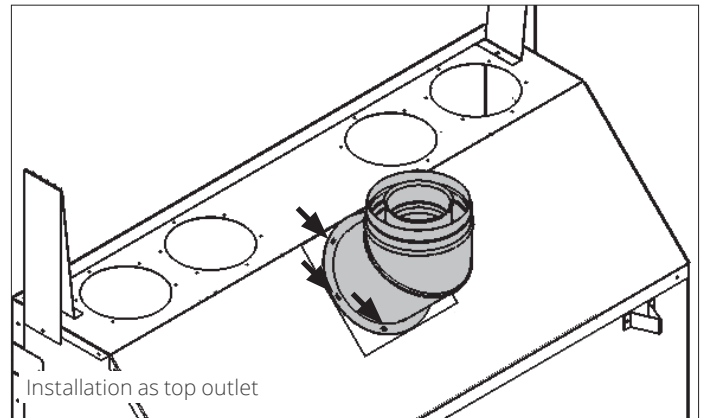
3. Fix the loose end to the top of the firebox.



Install Vent Outlet

This unit is supplied with a vent outlet which must be field-installed into a rear or top vent configuration.

1. Remove the vent elbow from the box within the fireplace.
2. Install the vent as a rear or top outlet as needed (6 screws).



Installation

Install HeatShift Take-Off Collars to Appliance

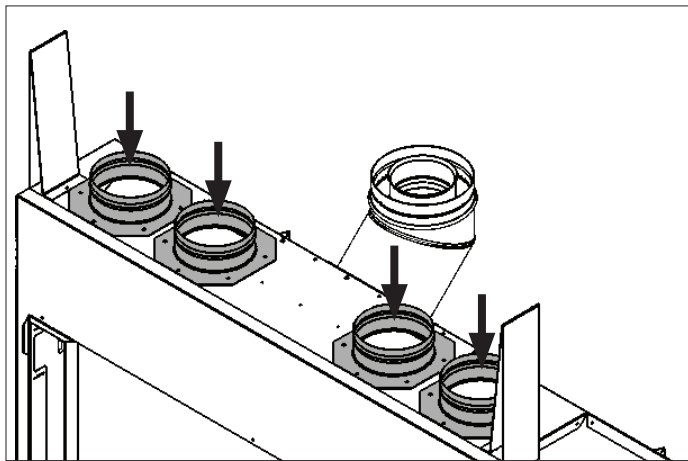
1. Install the collars on the holes on top of the appliance's case (6 screws each).

See "Appendix D—HeatShift™ System" on page 72 for more details regarding the installation.



WARNING

All FOUR (4) takeoffs MUST BE CONNECTED TO PLENUM(S).

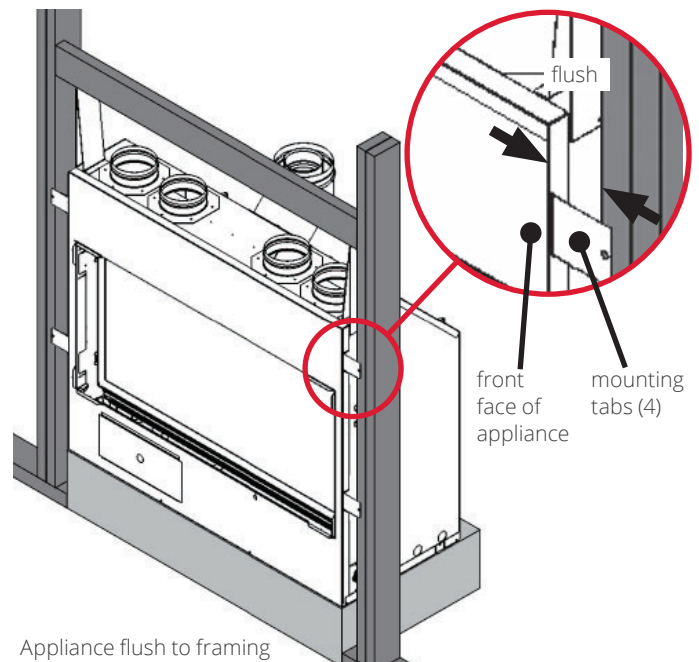


Appliance Preparation

Fit Appliance into Framing

1. Taking great care not to cut your hands on the sheet metal edges, lift the appliance and place it in the framing. *Make sure that the unit is at the right height with consideration to the height of the hearth or combustible flooring.*
2. Fold out four front mounting tabs and recess the appliance in the framing as shown.
3. Fasten the unit to framing using 4 screws or nails at the mounting tabs.

Note: The sheet metal front face of the appliance is flush with the framing studs.



4. If desired and possible, screw the four floor mounting tabs to the floor.

Installation

Electrical Wiring

Install Electrical Wiring

This section provides information to install the electric pre-wiring required for use with the decorative lighting, or the optional GV60WIFI WiFi Kit.

WARNING

All wiring must be done by a qualified electrician in accordance with local codes or, in the absence of local codes, with the National Electrical Code, ANSI/NFPA 70 or the Canadian Electrical Code, CSA C22.1.

Electrical Requirements

Lighting: 120 VAC, 35 W per bulb (qty 2)

V-Module: 120 VAC, 210 W

GV60WIFI: 6 VDC (from receiver), less than 1 amp

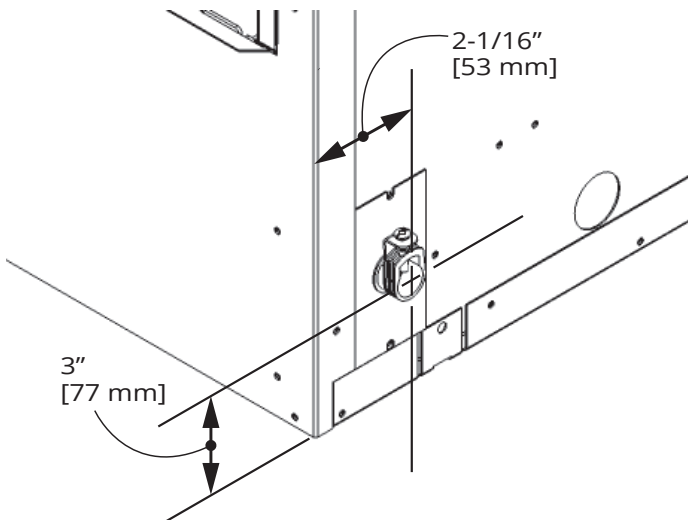
General Requirements

The decorative lighting and optional GV60WIFI module are powered by the V-module included with the appliance. The V-module includes a three-prong plug to plug into a grounded receptacle installed within the fireplace enclosure by a qualified electrician.

The receptacle, housing, and strain relief are supplied and installed as part of the fireplace.

Notes

- We recommend connecting the electrical box to use the supplied decorative lighting and the time of fireplace installation. It is much easier to wire before wall finish is applied.



Right side view

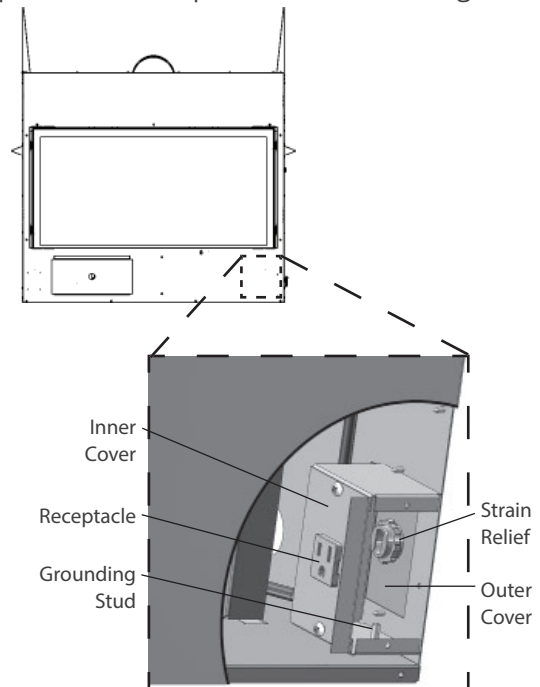
- Wiring within the receptacle enclosure must have a minimum 90°C temperature rating.
- Wire nuts not included.

WARNING

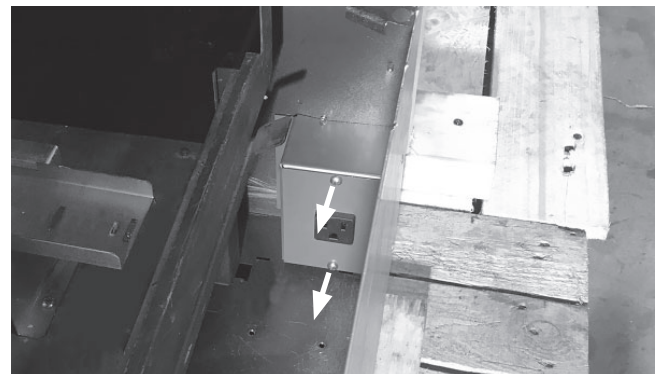
Electrical connection IS NOT ALLOWED when adapting appliance for outdoor use.

Installation

1. Disconnect/isolate power from the wiring being run to the fireplace.
2. Locate the electrical housing. It is behind the front panel of the fireplace in the bottom right corner.



3. Remove the inner cover (2 screws).



Installation

Electrical Wiring

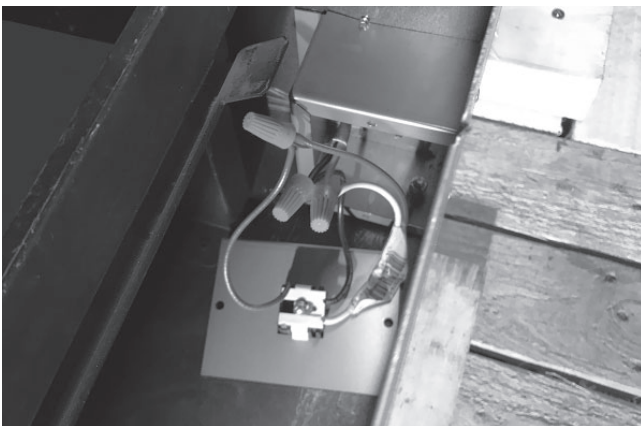
4. Pull the inner cover and receptacle (attached) out of the fireplace.



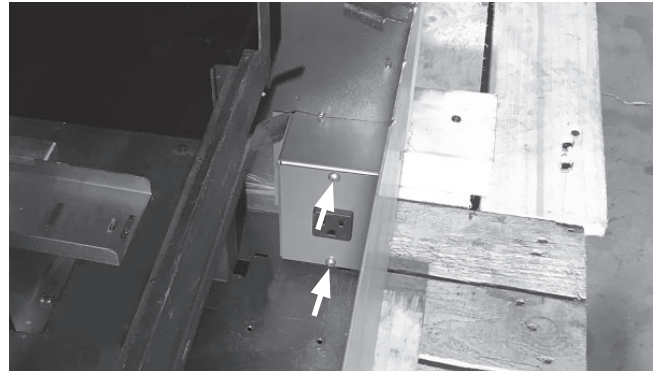
5. Thread the cable through the stud and the strain relief in the fireplace case. Do not tighten the clamp yet. Pull as much wire through the case as you need to wire the receptacle outside the case.



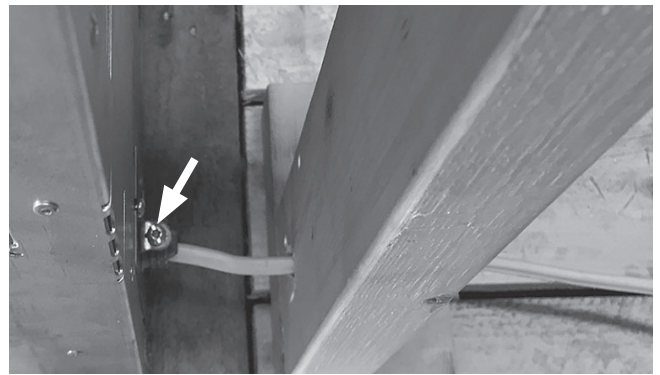
6. Strip wire and terminate grounded receptacle using wire nuts (not included). Place the connected receptacle back in the fireplace, and pull excess cable back through the strain relief.



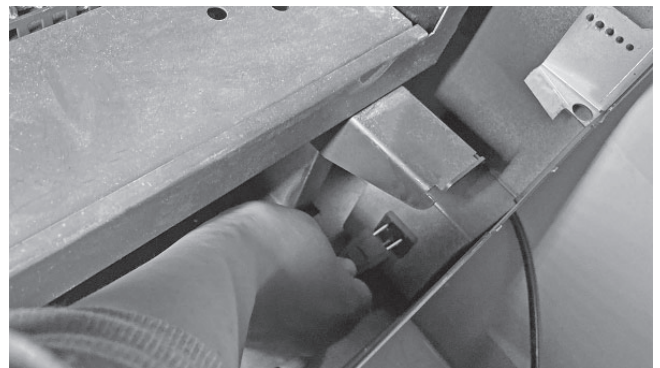
7. Place the inner cover and receptacle in position and secure with 2 screws.



8. Leave desired cable slack in the electrical box, tighten the strain relief cable clamp outside the fireplace and secure any excess wire to framing.



9. Plug the V-Module's AC plug into the power receptacle.

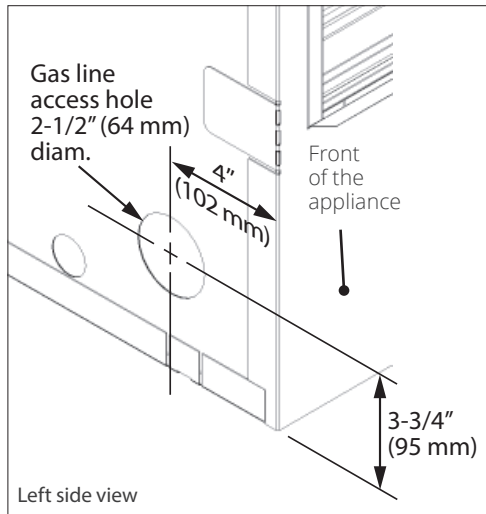
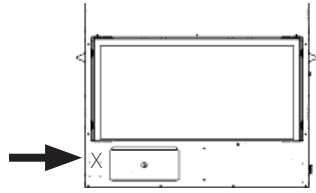


Installation

Gas Supply

Set-up Gas Supply

The gas supply inlet connection is a 3/8" NPT male connector located on the left hand side of the firebox.



The unit is supplied with a stainless steel flex line to allow the appliance to be disconnected for service. An individual shut-off valve (not supplied) is required on the supply line ahead of the flex connector.

Use only new black iron or steel pipes, CSST, or copper tubing if acceptable—check local codes. Note that in USA, copper tubing must be internally tinned for protection against sulfur compounds.

Unions in gas lines should be of ground joint type.

The gas supply line must be sized and installed to provide a supply of gas sufficient to meet the maximum demand of the appliance without undue loss of pressure.

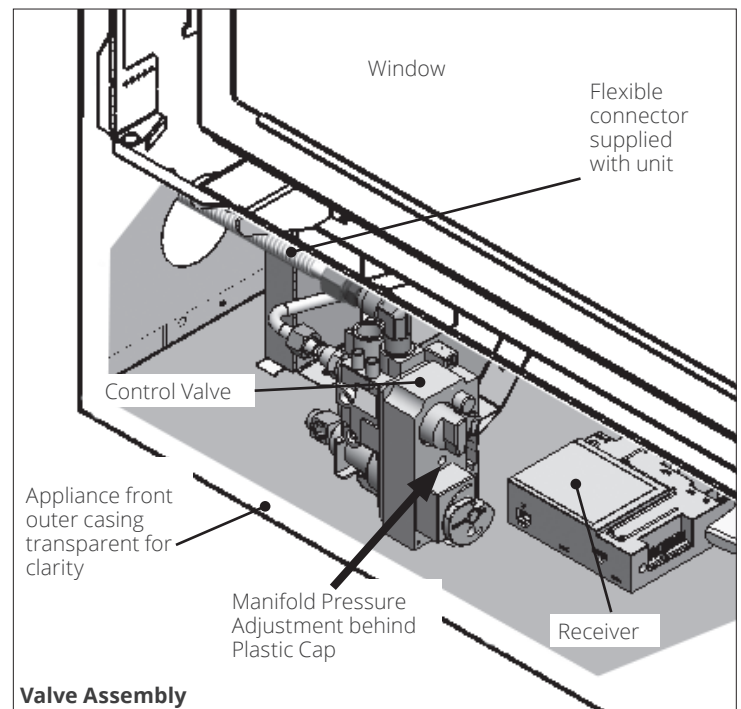
Sealant used must be resistant to the action of all gas constituents including LP gas. Sealant should be applied lightly to male threads to ensure excess sealant does not enter gas lines.

Pressure Test Supply Line

The appliance and its individual shut-off valve must be disconnected from the gas supply piping system during any pressure testing of that system at test pressures in excess of 1/2 psig (3.5 kPa).

The appliance must be isolated from the gas supply piping system by closing its individual manual shut-off valve during any pressure testing of the gas supply piping system at test pressures equal to or less than 1/2 psig (3.5 kPa).

Failure to either disconnect or isolate the appliance during pressure testing may result in regulator or valve damages and void the warranty. Consult your dealer in case of damages.



Installation

Pressure Test Points

The minimum supply pressure is given in the section “Specifications” on page 6.

All piping and connections must be tested for leaks after installation or servicing. All leaks must be corrected immediately.

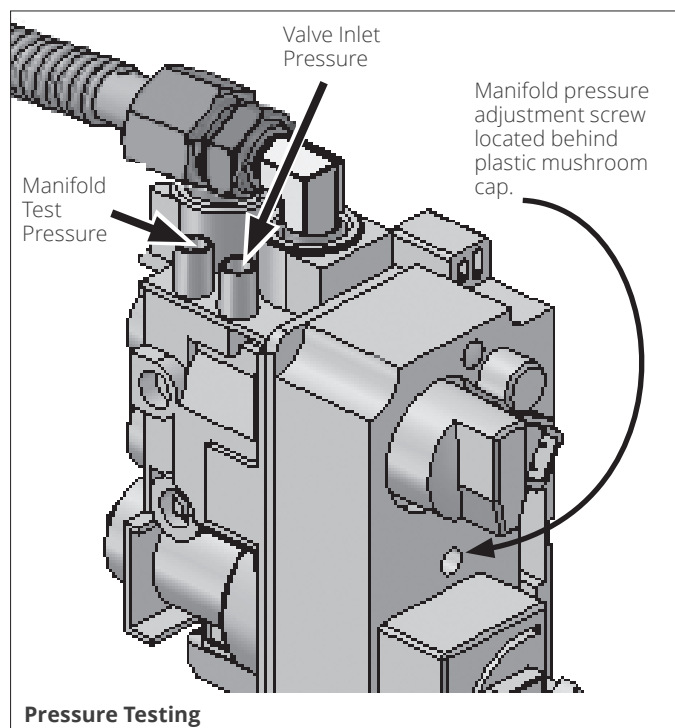
When testing for leaks:

- Make sure that the appliance is turned off.
- Open the manual shut-off valve.
- Test for leaks by applying a liquid detergent or soap solution to all joints. Bubbles forming indicate a gas leak.



WARNING

Never use an open flame to check for leaks! Correct any leak detected immediately.



The pressure test tapping locations are shown in the figure at right. An internal regulator within the valve controls the burner manifold pressure. The correct pressure range is shown in the table in section “Specifications” on page 6. The pressure check should be made with the burner alight and at its highest setting. See “Appendix A—Lighting Instructions” on page 63 for full operating details.

Installation

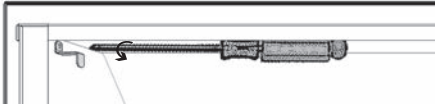
Liner Installation

Ceramic Liner Installation

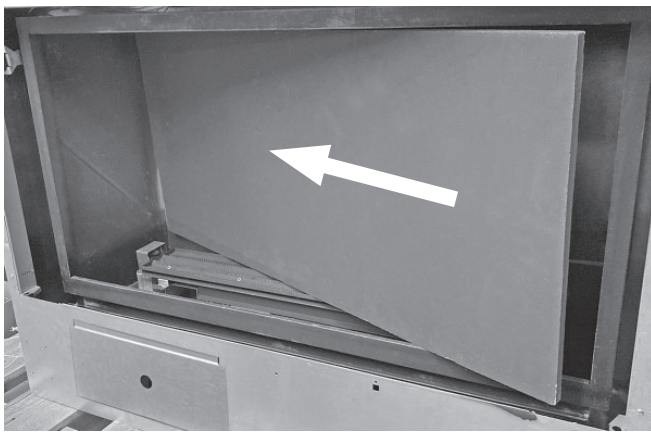
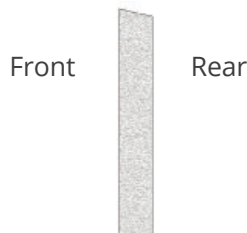
The liners install in the manner outlined below with the exception of the 2525RGL—Reflective Glass Liners: see instructions supplied with the liners.

Unpack the liner panels carefully.

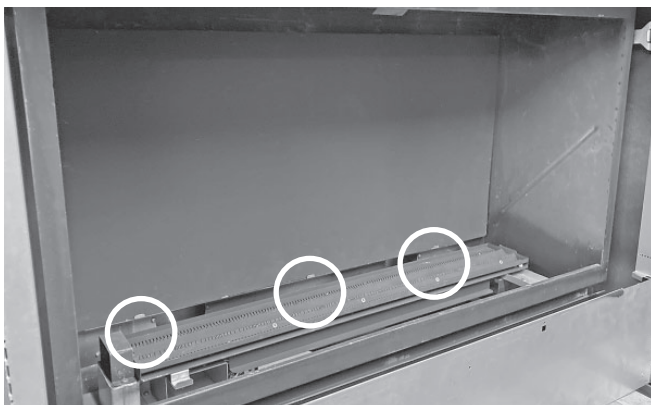
1. Inside the firebox, on the top of each side, release the screw of the side panel anchors just enough to allow them to rotate (one per side).



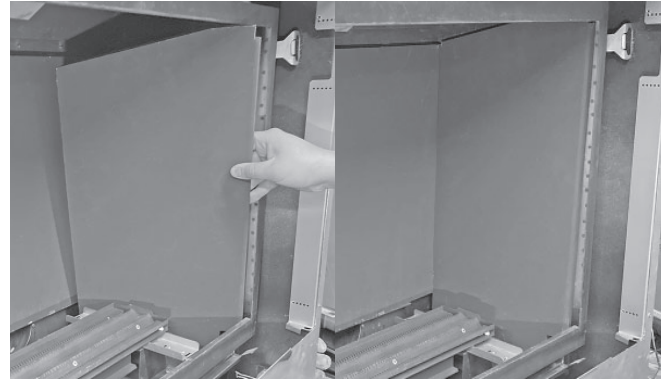
2. Place the rear panel into the firebox, left side first, and angled edge upward.



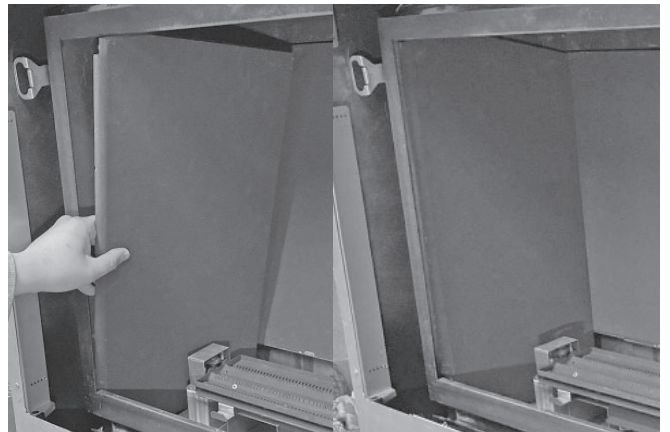
3. Rest the rear panel behind the three tabs on the support rail. Support the rear panel with your hand - it should not tip forward.



4. Place the right panel bottom first, then flatten to the wall from front to back. Rotate the anchor down once the panel is in place.



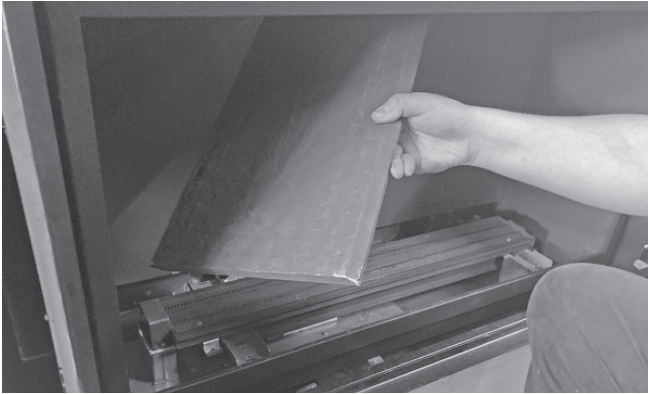
5. Place the left panel bottom first, then flatten to the wall from front to back. Rotate the anchor down once the panel is in place.



6. Remove the top center bracket (2 screws) and keep the screws.



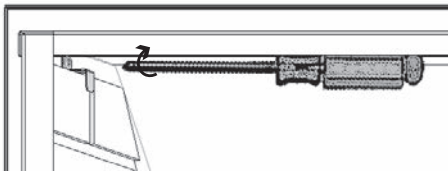
7. Orient the left roof panel as shown. Insert the panel, first angling it in from the front then placing it on top of the rear and left panels.



8. Insert the right panel over top of the left panel and then move it into place, so that it rests on top of the rear and right panels.



9. Tighten the left and right anchors at the tops of the side panels to hold them firmly in place.



10. Replace the top center bracket to hold up the roof panels.



Installation

Fuel Beds

Birch Log Kit 1505BLKV2

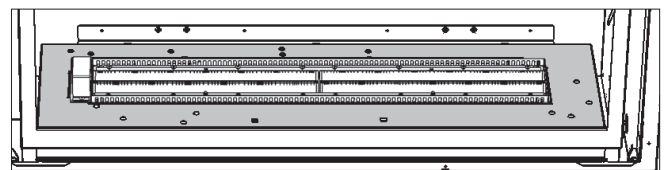
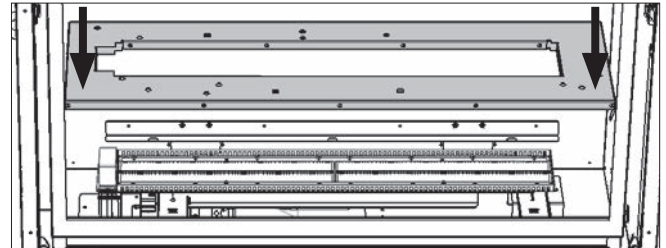
Material required

- Black steel platform (supplied with appliance)
- Birch Log Kit containing:
 - 8 logs
 - 1 bag of mixed grey embers (6 cup bag)



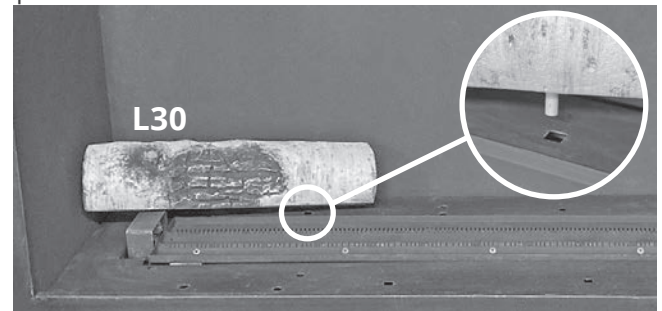
Installation

1. Carefully unpack the kit, as the logs are fragile.
2. Install the steel platform around the burner as indicated. The openings in the platform should be underneath.

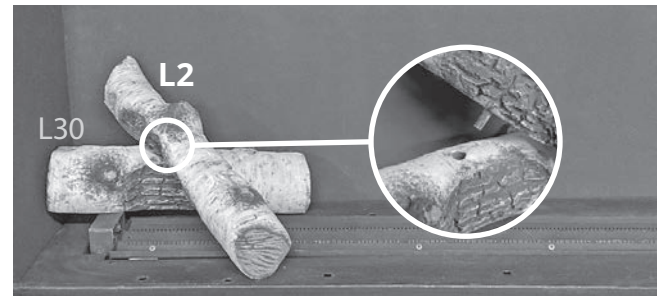


Installed platform

3. Place log L30 with the pin inserted in the hole as shown. Put the other end of the log gently on the pilot shield.



4. Place log L2 with the pin inserted in the hole in L30 as shown, across the burner to the front of the media platform.



Note:

Use of this log set may increase the possibility of soot formation when air shutters are set to the minimum setting. Although LT1 units are fitted with a minimum air shutter stopper intended to prevent sooting with most log sets, it is possible some sooting may occur when using this log set and the air shutter is set to minimum position.

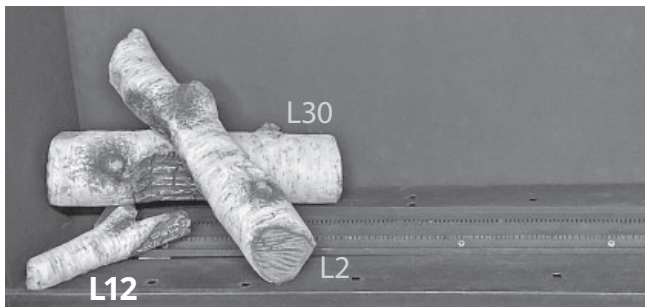
Evaluate the flame picture carefully after the unit has warmed up for fifteen minutes, and avoid setting the air shutter to minimum when there is limited rise in the venting system or the flame appears overly luminous and lazy with smoke trailing off the flame tips.

Refer to page 56 for the location and function of the air shutter adjustment lever.

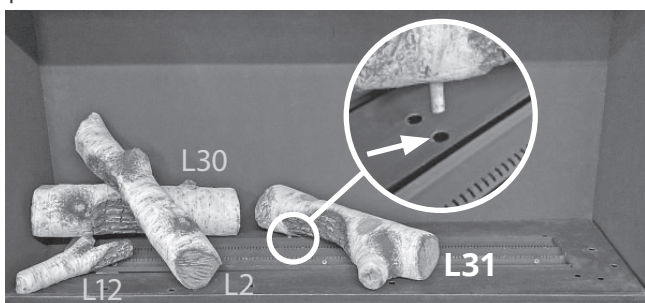
Installation

Fuel Beds

- Place log L12 onto the corner of the burner as shown.



- Place log L31 across the platform as shown with the pin inserted in the front hole as shown.



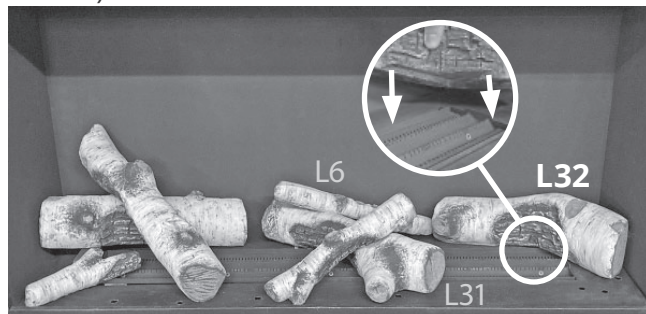
- Place log L6 from the notch on top of L31 to the rear of the media platform.



- Place log L1 from the notch on top of L31 and onto the front of the media platform.



- Place log L32 with its bottom cutout around the corner of the burner (about 1/8" away from the burner).



- Place log L4 in the notch on top of L32 and across the burner.

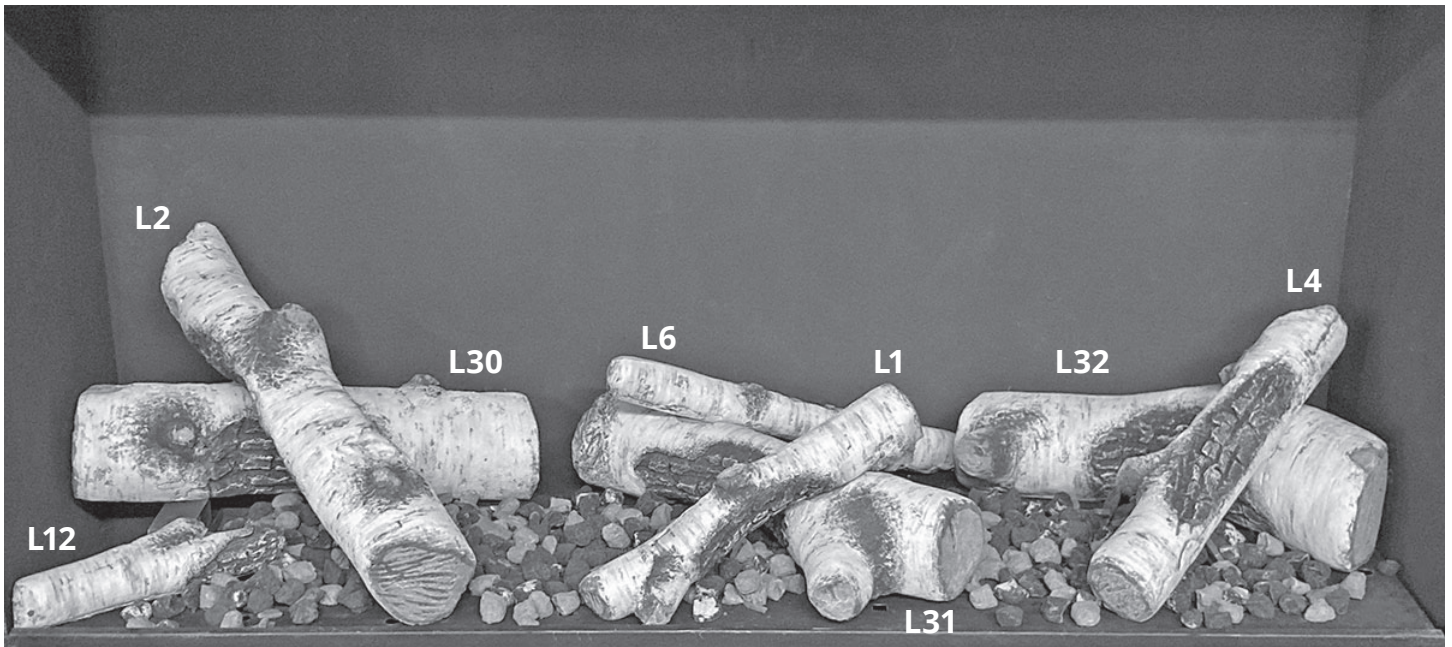


- Place (do not pour) embers by hand on the burner and media platform.
- Place splinters to preference.

WARNING

Choking Hazard! Ensure that the fireplace area is clear of embers / splinters as these could be ingested by small children. Vacuum area after installation.

IMPORTANT: Approved for use only with the ceramic embers and splinters provided with your Valor fireplace. The use of any other products may void your fireplace warranty.



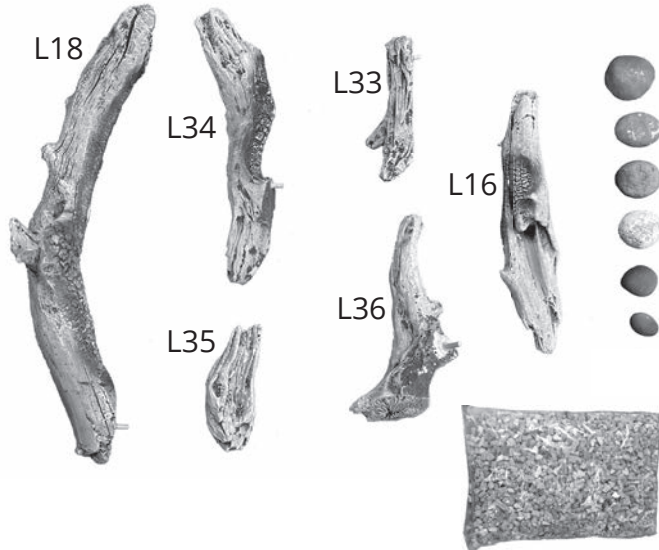
Installation

Fuel Beds

Driftwood Kit 1505DWKV2

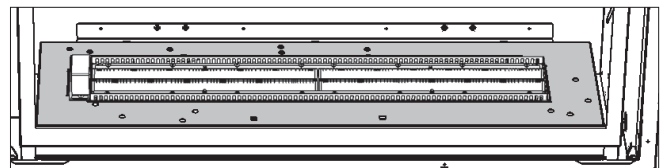
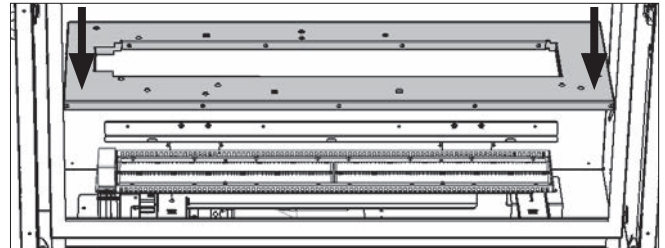
Material required

- Black steel platform (supplied with appliance)
- Driftwood Kit containing:
 - 6 logs
 - 6 pebbles
 - 1 bag of vermiculite



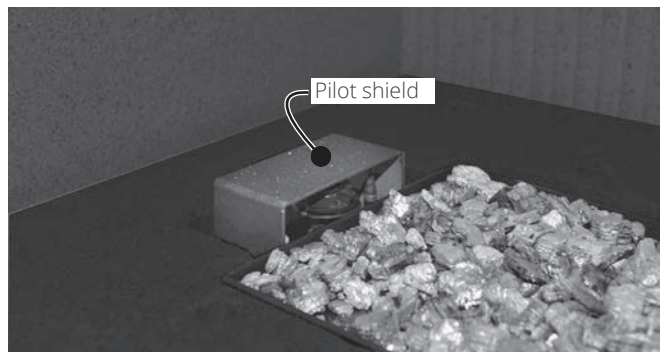
Installation

1. Carefully unpack the kit, as the logs are fragile.
2. Install the steel platform around the burner as indicated. The openings in the platform should be underneath.



Installed platform

3. Carefully spread some of the vermiculite on the surface of burner patting it gently with your hand to form a single layer to the approximate level of the top of the flange at the edge of the burner. Do not pour too much to avoid blocking the burner ports. NOTE: Ensure the area within the pilot shield is clear of vermiculite.



Note:

Use of this log set may increase the possibility of soot formation when air shutters are set to the minimum setting. Although LT1 units are fitted with a minimum air shutter stopper intended to prevent sooting with most log sets, it is possible some sooting may occur when using this log set and the air shutter is set to minimum position.

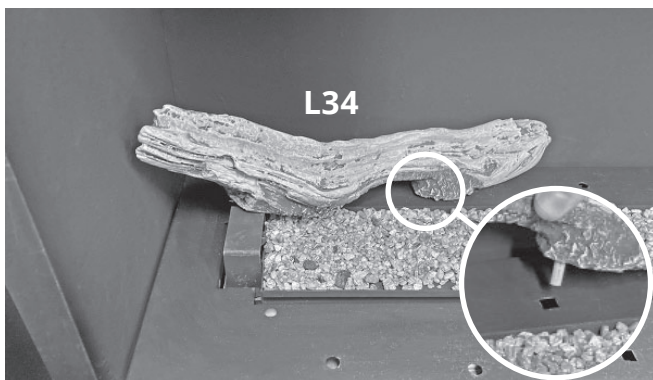
Evaluate the flame picture carefully after the unit has warmed up for fifteen minutes, and avoid setting the air shutter to minimum when there is limited rise in the venting system or the flame appears overly luminous and lazy with smoke trailing off the flame tips.

Refer to page 56 for the location and function of the air shutter adjustment lever.

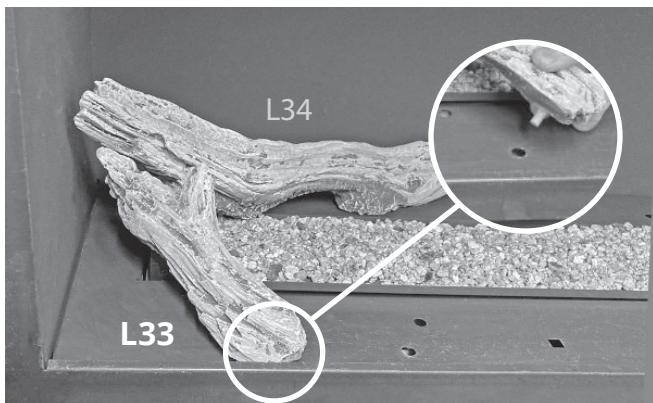
Installation

Fuel Beds

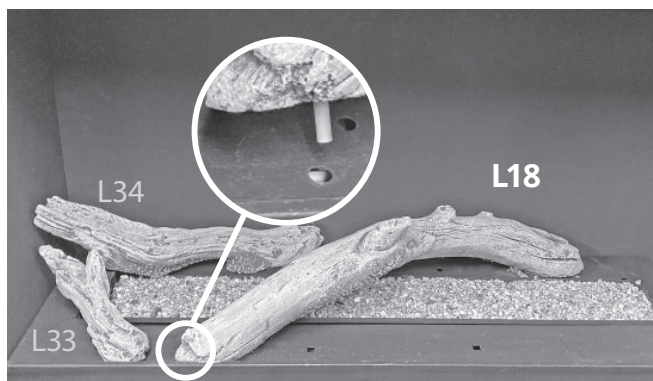
4. Place log L34 with the pin in the hole as shown. The left end of the log should rest gently on the pilot shield.



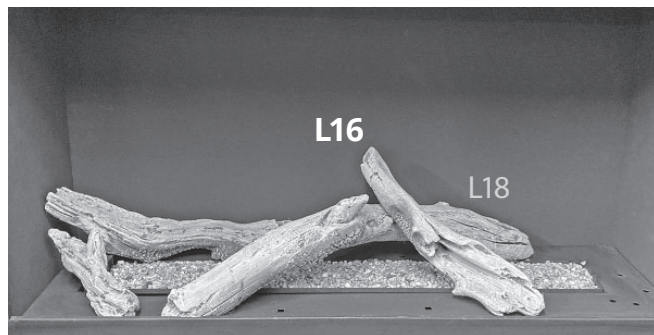
5. Place log L33 with the pin in the hole as shown, and rest gently on the pilot shield.



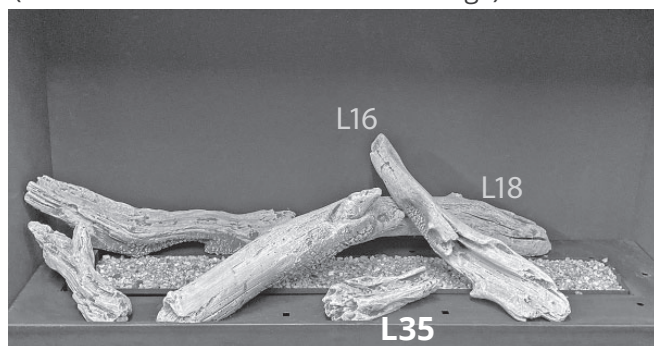
6. Place log L18 with the pin in the hole as shown, across the burner to the rear side. The rear leg of the log should just touch the burner.



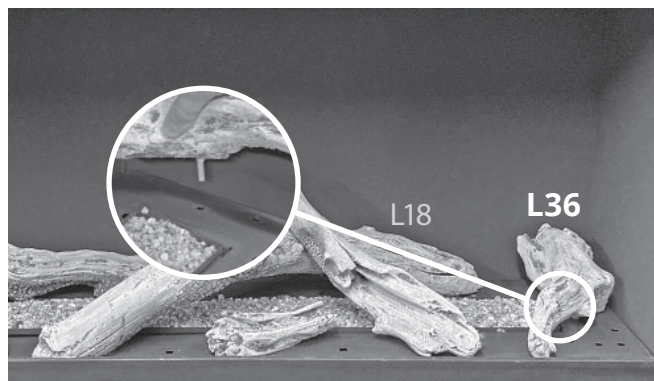
7. Place log L16 from the front side of the platform onto the natural curve in log 18 as shown.



8. Place log L35 on the front of the platform as shown (it should not rest on the burner's edge).



9. Place log L36 with the pin in the hole as shown.



Installation

Fuel Beds

10. Place pebbles as desired. The two smallest pebbles can go directly on the burner.

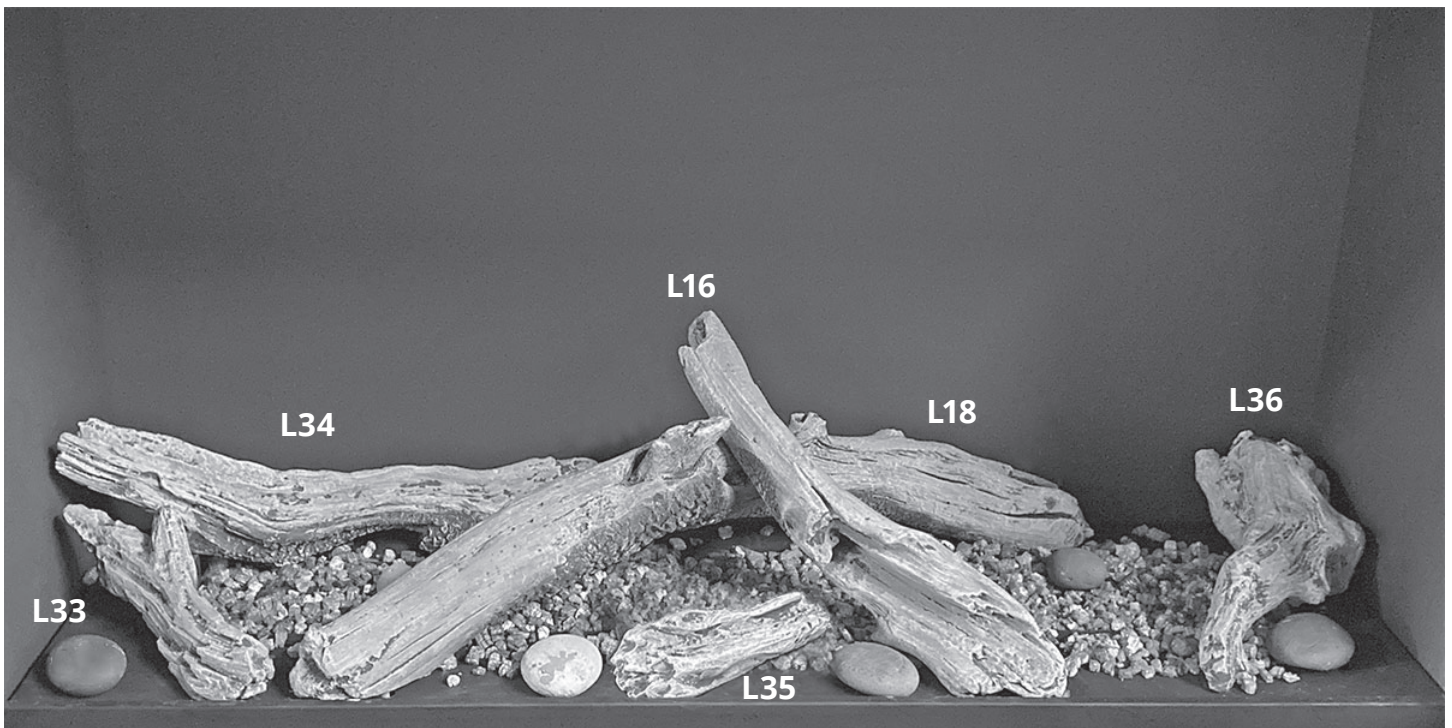


11. Place by hand (do not pour) remaining vermiculite around logs on the platform.

IMPORTANT: Use only the vermiculite provided with your Valor fireplace. The use of any other types of material may void your fireplace warranty.

! **WARNING**

Choking Hazard! Ensure that the fireplace area is clear of vermiculite pieces as these could be ingested by small children. Vacuum area after installation.



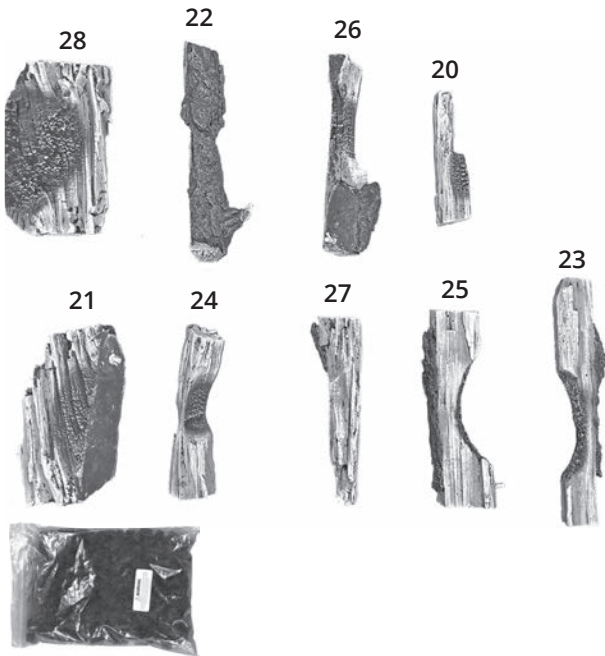
Installation

Fuel Beds

Split Wood Kit 1505SWKV2

Material required

- Black steel platform (supplied with appliance)
- Split Wood Kit, which contains:
 - 9 logs (numbered)
 - 1 bag of gray/black embers



Note:

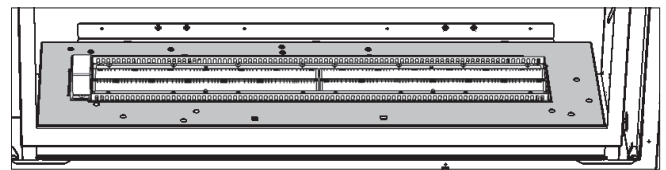
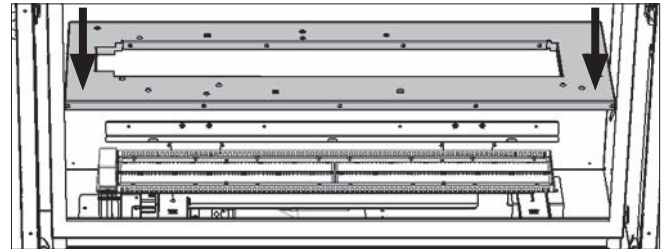
Use of this log set may increase the possibility of soot formation when air shutters are set to the minimum setting. Although LT1 units are fitted with a minimum air shutter stopper intended to prevent sooting with most log sets, it is possible some sooting may occur when using this log set and the air shutter is set to minimum position.

Evaluate the flame picture carefully after the unit has warmed up for fifteen minutes, and avoid setting the air shutter to minimum when there is limited rise in the venting system or the flame appears overly luminous and lazy with smoke trailing off the flame tips.

Refer to page 56 for the location and function of the air shutter adjustment lever.

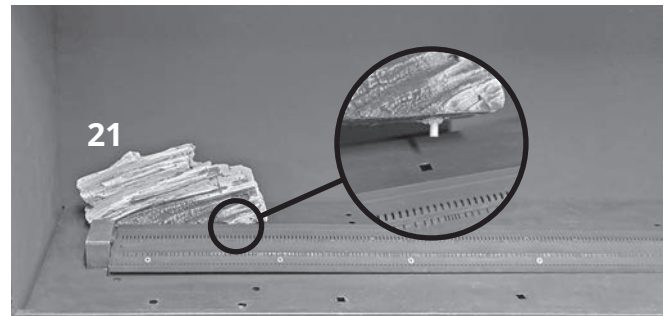
Installation

1. Carefully unpack the kit, as the logs are fragile.
2. Install the steel platform around the burner as indicated. The openings in the platform should be underneath.

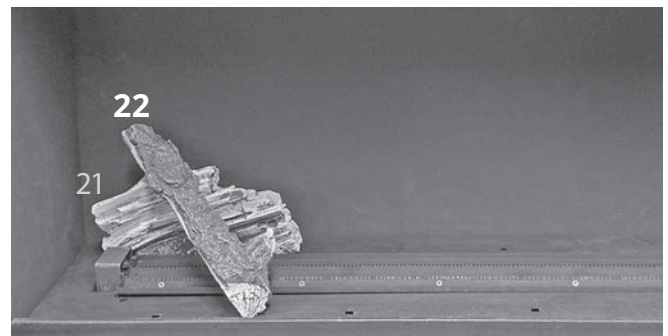


Installed platform

3. Place log 21 as shown with the pin in the hole, set back about 1/4" from the burner.



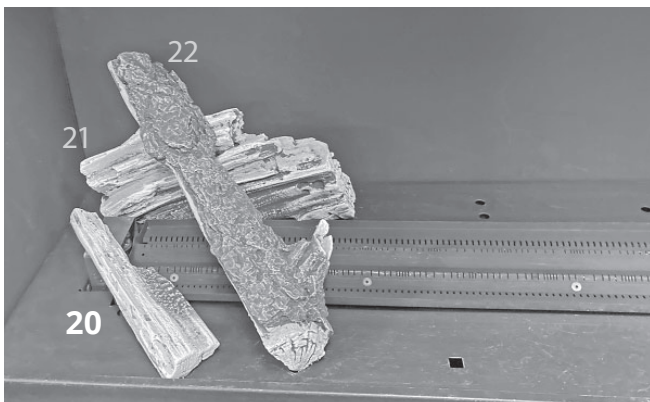
4. Place log 22 from on top of log 21, across the burner to the front platform.



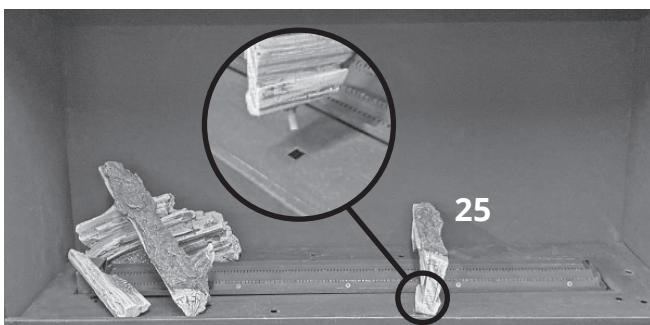
Installation

Fuel Beds

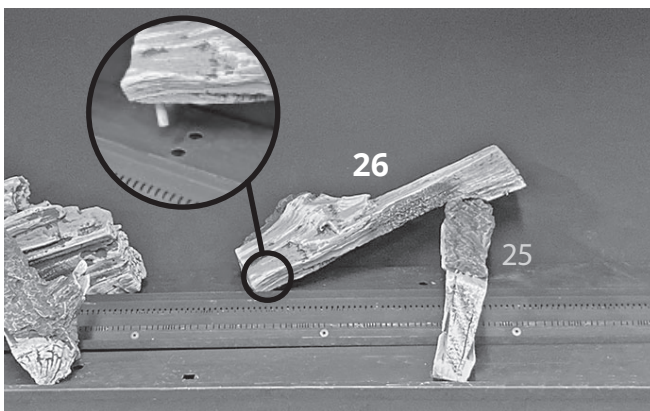
5. Place log 20 as shown, on top of the pilot shield.



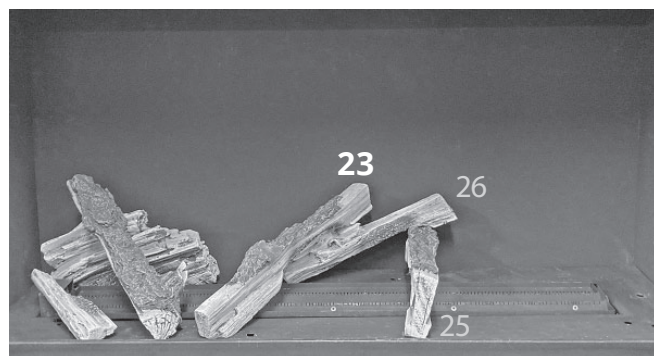
6. Place log 25 with the pin in the front platform.



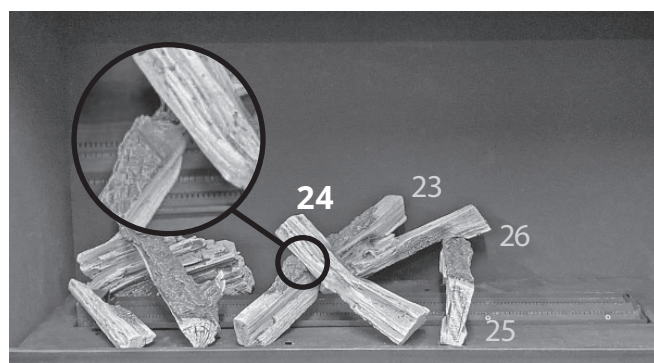
7. Place log 26 as shown, from on top of log 25 to the platform. Insert the pin into the hole closer to the burner.



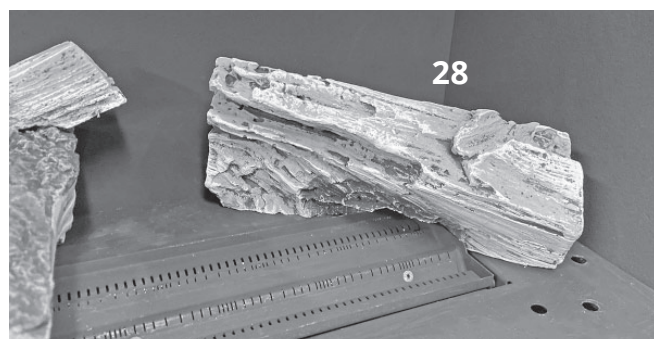
8. Place log 23 from the front platform to the top of 26.



9. Place log 24 into the notch on top of 23.



10. Place log 28 as shown. There is a cutout that fits over the right rear corner of the burner - the log should be placed 1/8" away from the burner, not directly against it.



Installation

Fuel Beds

11. Place log 27 on top of log 28 to the front of the platform.

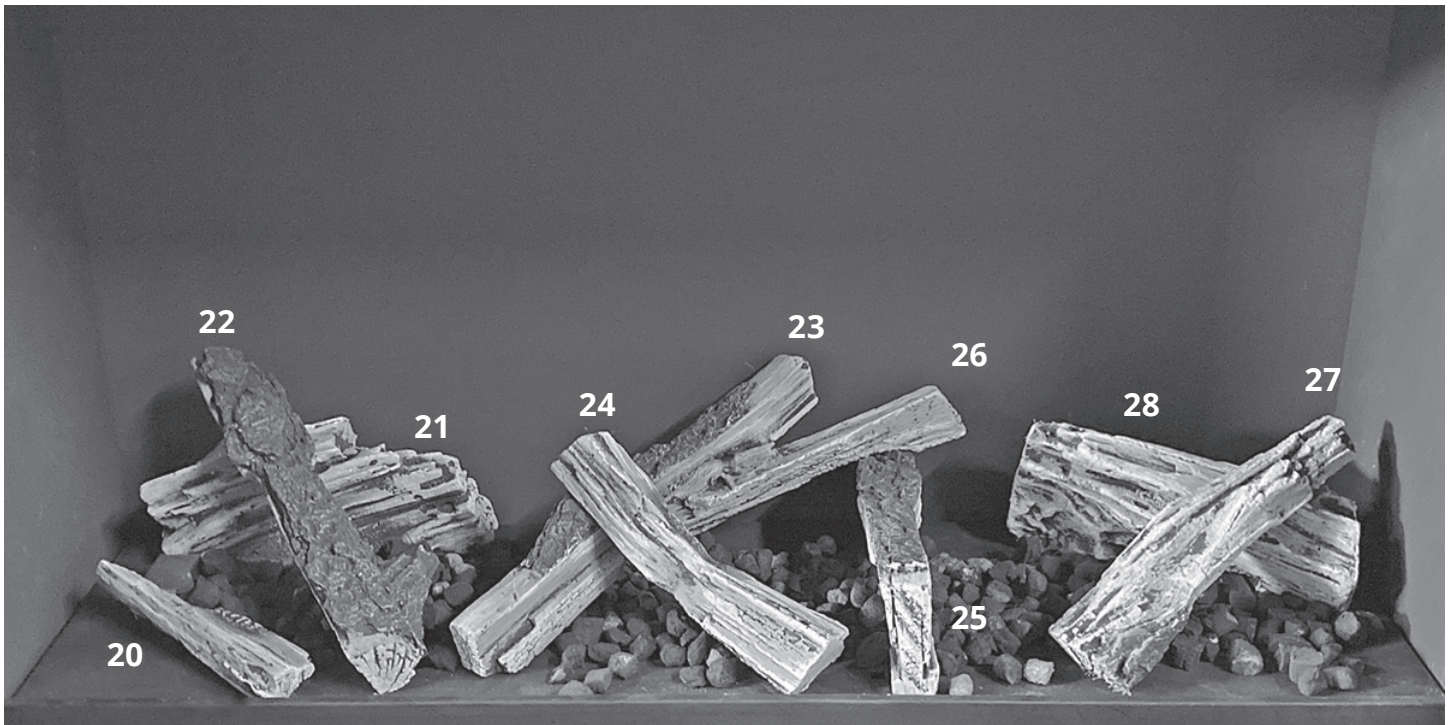


12. Place by hand (do not pour) embers among the logs.

IMPORTANT: Approved for use only with the ceramic embers provided with your Valor fireplace. The use of any other products may void your fireplace warranty.

⚠ WARNING

Choking Hazard! Ensure that the fireplace area is clear of embers / splinters as these could be ingested by small children. Vacuum area after installation.



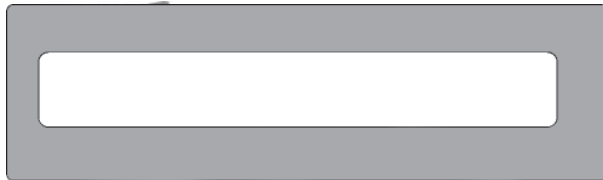
Installation

Fuel Beds

Decorative Glass Murano 1500DGM

Material required

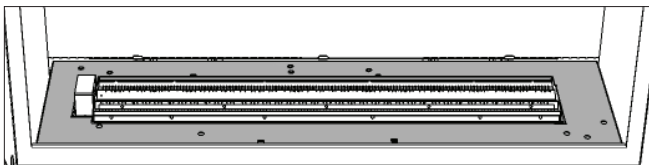
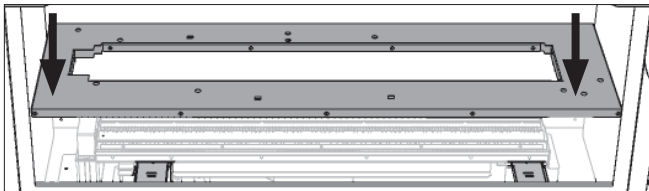
- Steel platform (supplied with appliance)
- Decorative Glass Murano Glass kit, which contains:
 - 1 glass platform
 - 1 bag of clear 1/2" fireglass



Installation

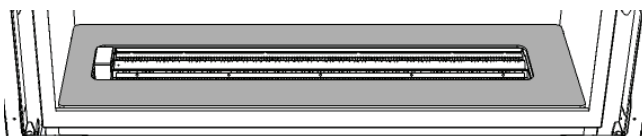
Carefully unpack the kit.

1. Install the steel platform around the burner as indicated. The openings in the platform should be underneath. The edge of the burner protrudes above the platform.



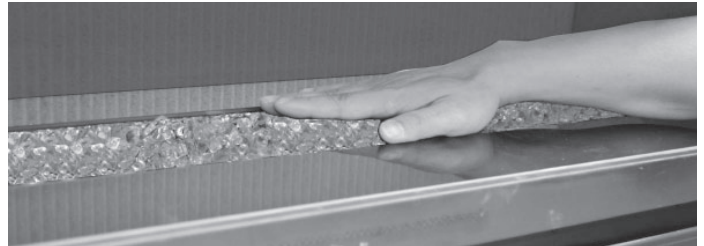
Installed platform

2. Install the glass plate on the platform, the textured side underneath and the smooth side on top. The plate is flush with the edge of the burner.



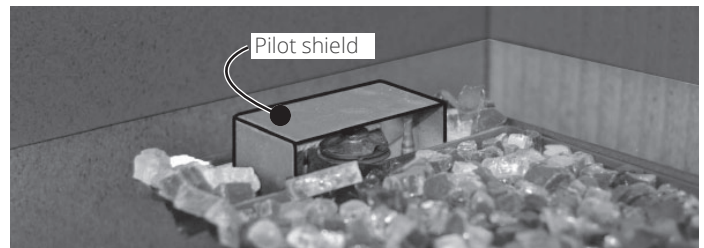
Installed glass plate

3. Carefully spread the fireglass on the surface of burner patting it gently with your hand to form a single layer to the approximate level of the top edge of the flange around the burner. Do not place too much to avoid blocking the burner ports.



4. Some fireglass may be added on the platform to cover the edge of the burner and in the space in front and behind the pilot shield.

NOTE: Ensure the area **within** the pilot shield is clear of fireglass.



IMPORTANT: Approved for use only with the fireglass provided with your Valor fireplace or the tempered crushed fireglass brands *American Fireglass™* or *firegear*. The use of any other fireglass products may void your fireplace warranty.

WARNING

Choking Hazard! Ensure that the fireplace area is clear of fireglass particles as these could be ingested by small children. Vacuum area after installation.

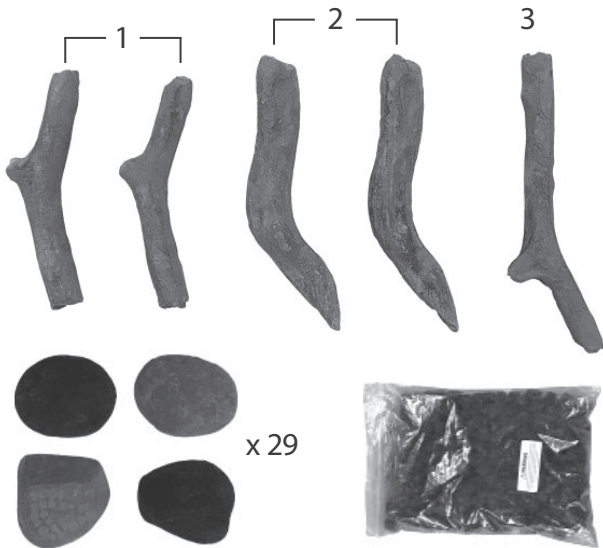
Installation

Fuel Beds

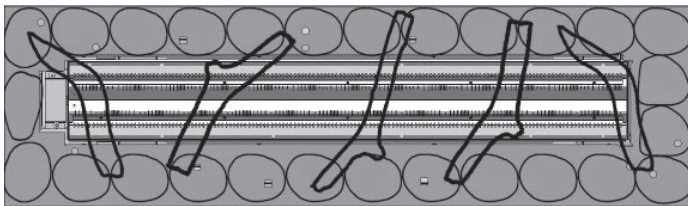
Rocks & Shale Set 1514RSS

Material required

- Black steel platform (supplied with appliance)
- Rock & Shale Set, which contains:
 - 5 twigs
 - 29 rocks (assorted colors)
 - 1 bag of 3/4" grey/black shale

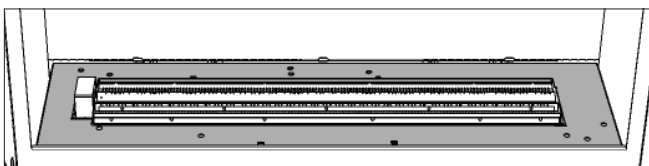
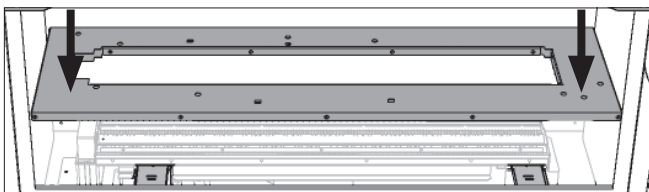


Overview



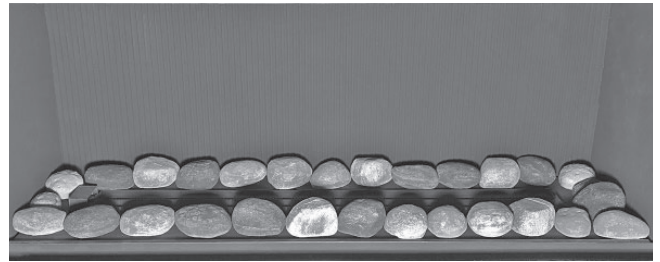
Installation

1. Carefully unpack the kit, as the logs are fragile.
2. Install the steel platform around the burner as indicated. The openings in the platform should be underneath.



Installed platform

3. Place the rocks around the burner, on the media platform.

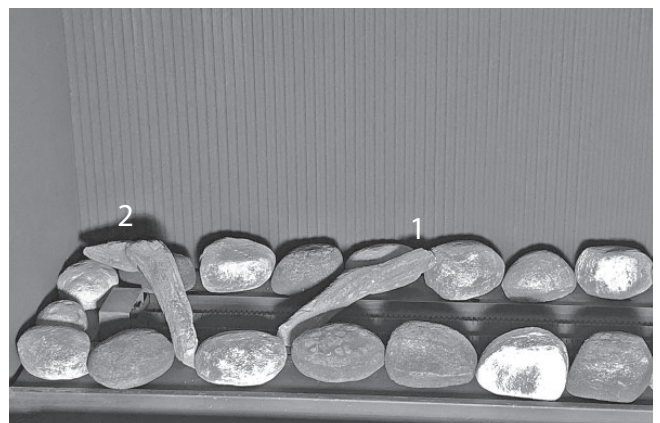


4. Place the first twig #2 as shown, from on top of the rear rocks, across the burner, to the media platform. It should not rest directly on the burner.



IMPORTANT: All twigs installed in this kit should be resting on the rocks, not the burner, as much as possible.

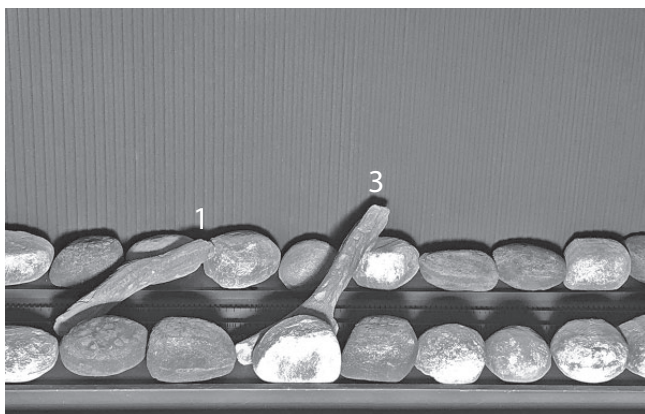
5. Place the first twig #1 as shown. Do not place it directly on the burner.



Installation

Fuel Beds

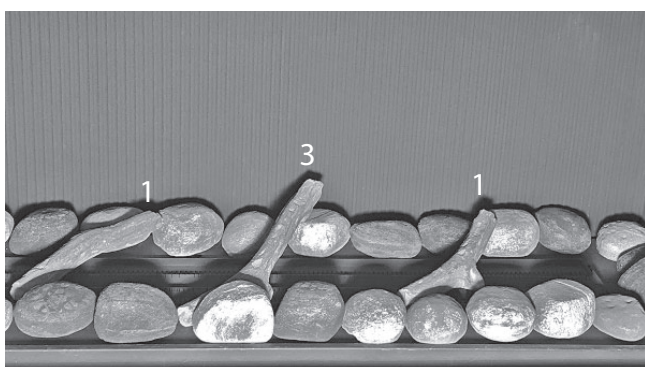
- Place twig #3 as shown. Do not place it directly on the burner.



- Place the second twig #2 as shown. Do not place it directly on the burner.



- Place the second twig #1 as shown. Do not place it directly on the burner.

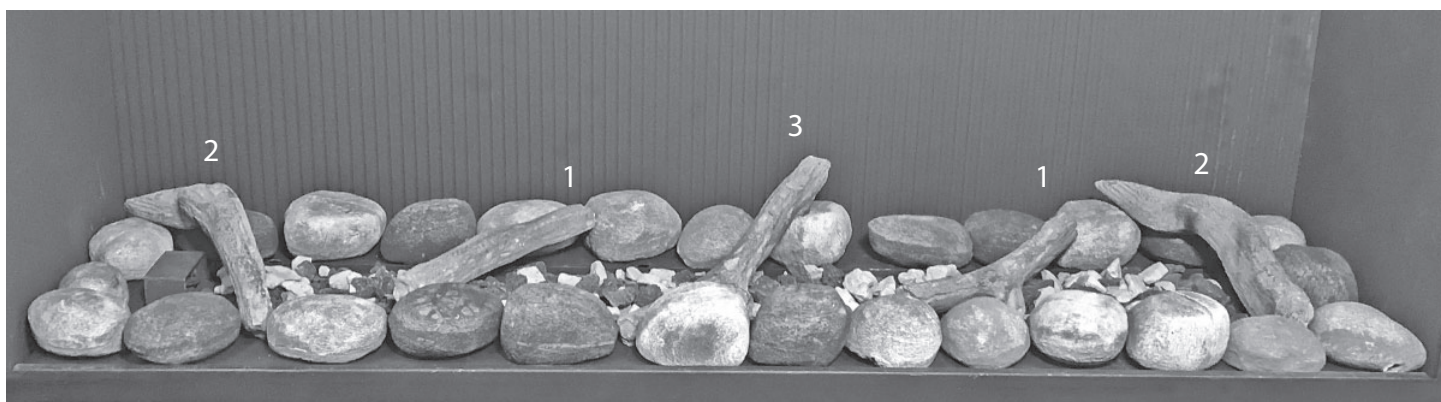


- Place (do not pour) the shale directly onto the burner.

IMPORTANT: Use only the ceramic rocks, twigs and shale provided with your Valor fireplace. The use of any other types of rocks, twigs or shale may void your fireplace warranty.

WARNING

Choking Hazard! Ensure that the fireplace area is clear of shale pieces as these could be ingested by small children. Vacuum area after installation.



Rocks & shale fuel bed installed

Installation

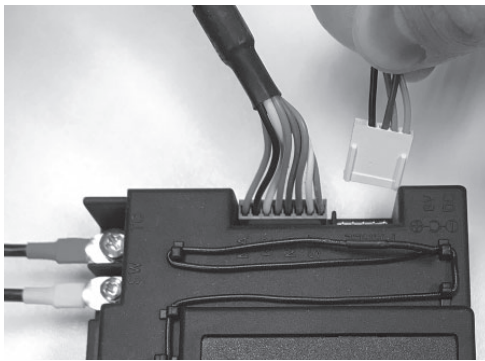
Wall Switch

Install Remote Battery and Wall Switch Kit (required)

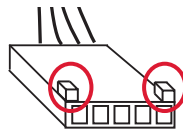
The Remote Battery and Wall Switch Kit is provided with this appliance. It connects to the receiver in the fireplace.

The receiver is located under the firebox, left of the control valve. It is maintained in position with Velcro strips.

1. Pull out the receiver from its location to connect the battery holder and wall switch.
2. Feed the 'white connector end' of the harness assembly through side holes in fireplace liner body to receiver. Ensure sufficient harness length to allow for removal of receiver. Note - coil up any extra harness at fireplace end.
3. Connect switch to auxillary 5-pin junction and power connection to jack.



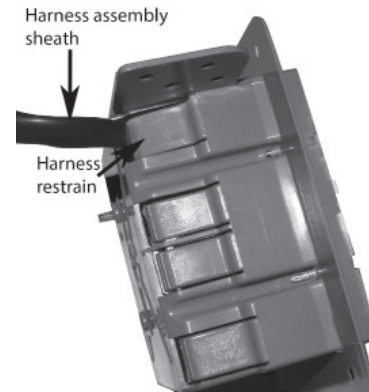
IMPORTANT: The connection can only be done one way.



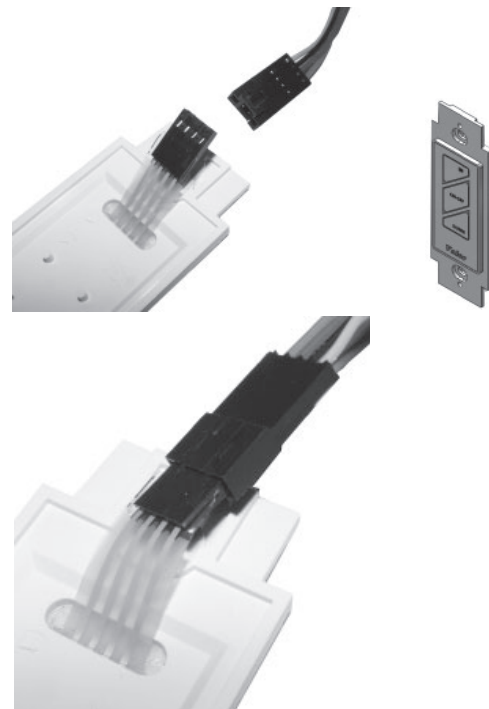
Do not force it or damage the pins on the receiver box!



4. Run harness assembly to mounted position of junction box, securing harness to framing using insulated staples (not included)
5. Feed harness assembly through a restrain on rear of junction box, feeding through until harness sheath is pinched by retainer and providing sufficient length to make connection to rear of switch and battery holder.



6. Secure junction box to the mounting surface using appropriate fasteners (not included).
7. Align molex connection on switch cable of harness assembly and connect to switch.



⚠ Caution

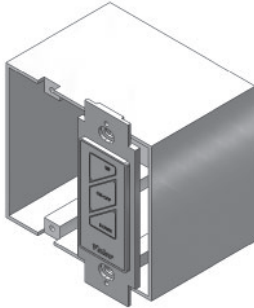
DO NOT PUT BATTERIES IN THE BATTERY HOLDER until the wires are connected to the burner control unit as short-circuit could result in the destruction of the electrical components.

Do not run the switch wire over the top of the firebox. Route the wire so it does not contact the firebox.

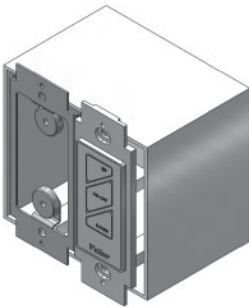
Installation

Wall Switch

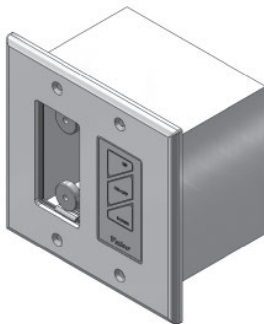
8. Mount switch plate to junction box with 2 long screws provided. Note: switch position left or right to suit homeowner wishes.



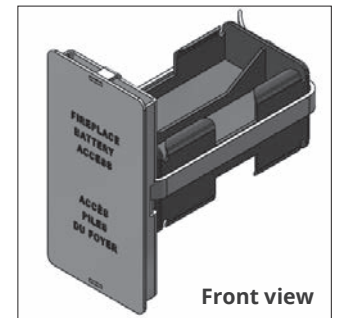
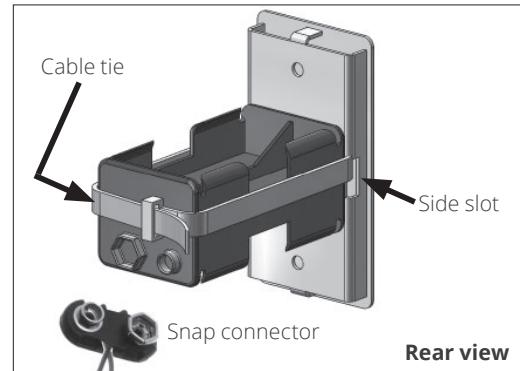
9. Locate and secure magnet plate using 2 'long' screws provided



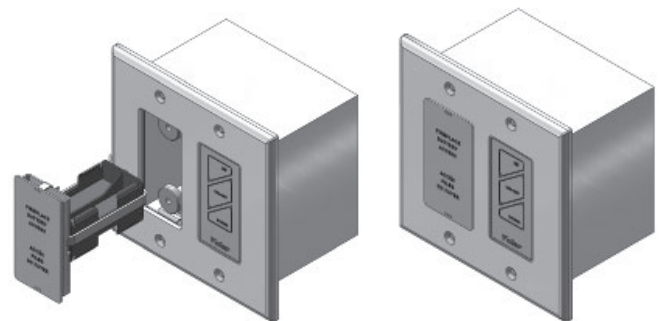
10. Place and secure cover plate to box using 4 screws provided



11. Feed cable tie through the 2 side slots of battery cover assembly.
12. Position battery holder to rear face and secure together with cable tie. Note: clearance is required for battery snap connection.



13. Make the snap connection, load 4 AA alkaline batteries into holder (included with fireplace) then feed back into junction box assembly. Note: Do not put batteries in the receiver, only in the battery holder by the wall switch.



14. Test the operation of the wall switch—see “Appendix C—Wall Switch Operation” on page 71.

Caution

DO NOT USE a screwdriver or other metallic object to remove the batteries from the battery holder or the handset! This could cause a short circuit to the receiver.

To avoid short-circuit to the receiver, position the antenna so that it DOES NOT TOUCH the ignition wire.

Installation

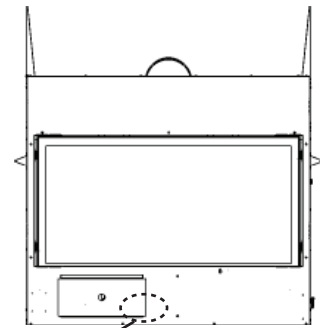
Remote Control

Radio Frequency

918.0 MHz for USA and Canada.

This device complies with Part 15 of the FCC Rules and with Industry Canada license-exempt RSS standard(s). Operation is subject to the following two conditions:

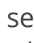
- (1) this device may not cause harmful interference, and
- (2) this device must accept any interference received, including interference that may cause undesired operation.



Receiver on base of unit behind gas valve

Remote Control Initial Pairing

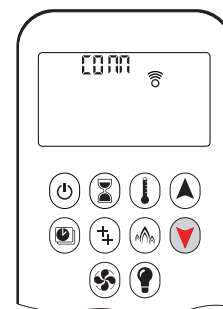
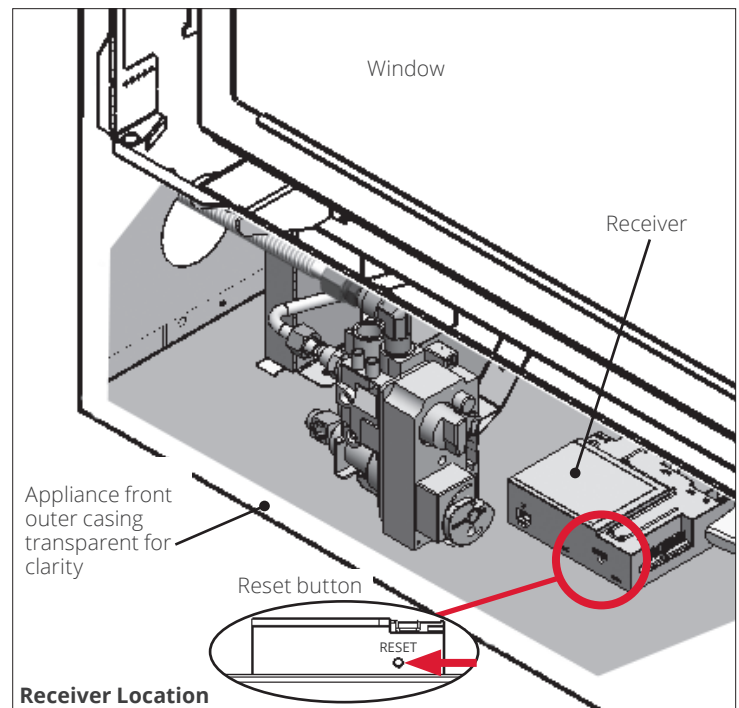
The receiver and the handset of the remote control system must be initially paired before the first use. (Note that batteries must already be installed in the wall mounted battery holder)

1. Insert two 1.5 V AAA alkaline batteries in the handset.
2. Locate the Reset button on the front side of the receiver (you may need to pull the receiver from the *Velcro*).
3. With a thin object, press and hold the receiver's RESET button until you hear one short and one long beeps. After the second beep, release the reset button.
4. Within the subsequent 20 seconds, press and hold the  button on the remote handset for 2-3 seconds. **COMM** will be displayed on the handset during the pairing sequence. You will hear two short beeps confirming the pairing is done.

If you hear one long beep, the pairing sequence has failed or the wiring is incorrect.

This is a one time pairing only and is not required when changing the batteries of the handset or battery holder. The remote control system is now ready to use.

Replace receiver onto *Velcro* if removed.



Installation

Remote Control

Install Remote Control Handset Wall Holder

The remote control kit for this fireplace comes complete with a wall-mounted holder. This holder is not required in all installations but is provided as an optional feature for those customers who wish to mount the remote handset to the wall.



To install the holder to the wall, find a convenient location and use the hardware provided with the kit. Cover the screws with the included caps to finish the mounting.

Once mounted, the holder is magnetic - simply place the remote gently into the holder.

IMPORTANT: The location of the remote control handset is important to assure proper temperature regulation. To obtain a constant temperature, we recommend that the handset should be between 3 and 15 feet away from the appliance but not directly above it. We also advise that the handset should be located away from any other heat source and not in direct sunlight as this may affect the temperature sensor located in the remote handset.

Installation

Checking Operation

Turn the fireplace flame up and down using the remote control to confirm that the full range of inputs is achieved—see the remote control operation instructions in “Appendix B—Remote Control Operation” on page 64.

Adjusting Aeration

Light the fire and allow the unit to warm up for 10–15 minutes to evaluate the flame picture. The burner is equipped with an adjustable shutter to control primary aeration. The shutter is factory-set to an aeration gap which will give optimum performance for the vast majority of installations.

Depending on the fuel bed used, altitude and other considerations, the flame picture may be improved by adjusting the aeration. The need for adjustment should be determined only by operating the appliance with the fuel bed, panels and window installed and evaluating the flame picture after a 15-minute warm-up.

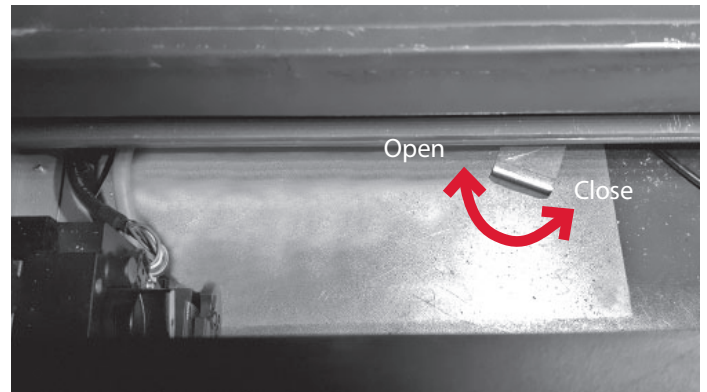
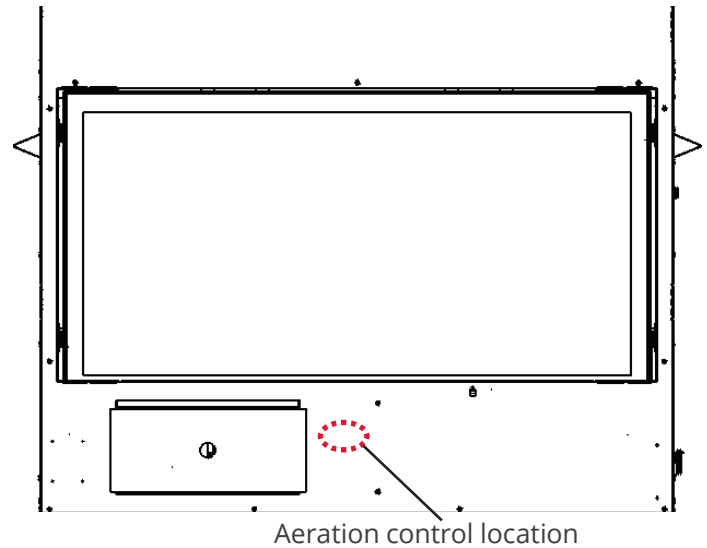
Increasing aeration will cause the flames to appear more transparent and blue showing more ceramic effects glow.

Decreasing aeration will cause the flames to appear more yellow or orange showing less ceramic effects glow.

Too little aeration may result in black carbon forming on logs or roof panel and dropping into the firebox.

Checking Operation and Aeration

Locating Aeration Control



Top view—Air shutter lever located under the firebox behind the front panel

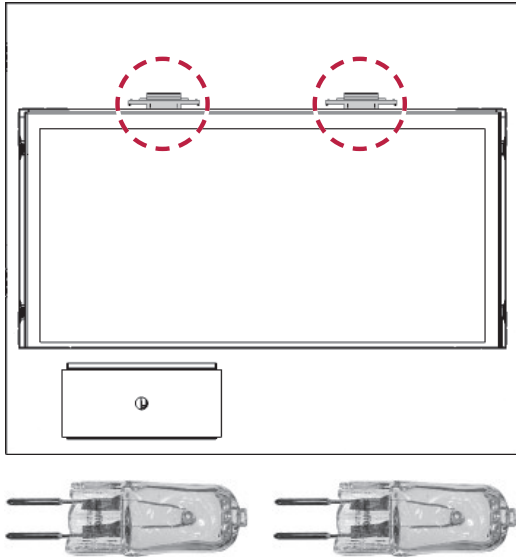


WARNING

Ensure electrical power is disconnected from the fireplace before commencing work.

Installation

This appliance comes with built-in decorative lighting (see page 66 for use instructions). If a bulb is burned out upon installation, it can be replaced. The light bulbs are housed inside two shields, behind the front cover and above the front window as shown.



Two G6.35 35W halogen bulbs are required for replacement. Always replace both bulbs at once. Do not use bulbs rated more than 50W.

WARNING

The lightbulbs in this appliance get very hot when turned on, regardless of whether the fireplace's main flame is on. Ensure both the lights and fireplace have a one hour cool down time after either has been active to avoid serious injury.

WARNING

DO NOT access lamps from inside the firebox!

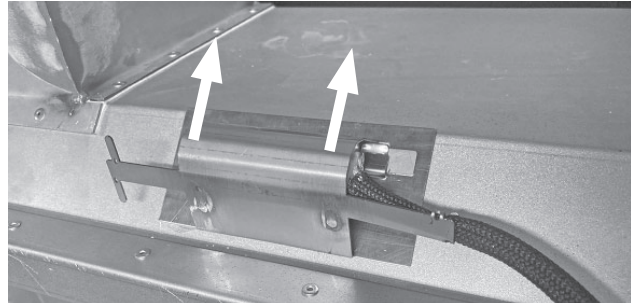
Note: The front cover and convection baffle are shown removed for clarity in these instructions. It is not necessary to remove the front cover or convection baffle to carry out these steps. Removing the window is not necessary, but may make accessing the lights easier. See page 30 for details on how to remove the window.

Checking Decorative Lighting

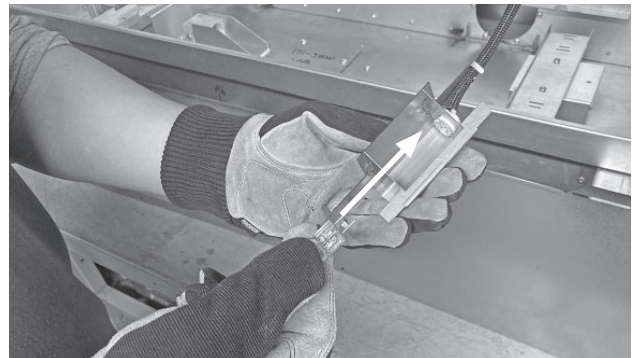


Wear gloves when changing these bulbs. Most bulb manufacturers recommend no skin contact as oil from skin can shorten the bulbs' lifespan.

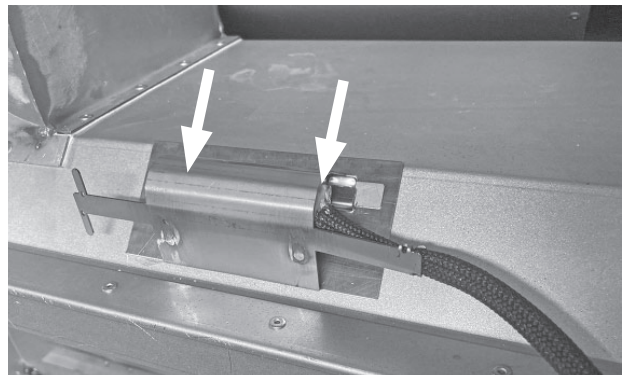
1. Slide both light shields back and out of their retaining clips (left side first, then right).



2. Remove both old bulbs by pulling them straight out of the light shields.
3. Insert 2 new G6.35 35W halogen bulbs into the ceramic receptacles in the light shields of the wiring harness.



4. Test lighting using the remote control. (see page 66 for details)
5. Firmly slide the light shields down into the clips.



6. Restore power to the fireplace.
7. Reinstall window if it was removed (see page 31 for details).

Installation

Trim & Barrier Screen

Install Trim and Barrier Screen

Install the trim chosen by the customer for their fireplace. Install as well the barrier screen which is provided with the trim.

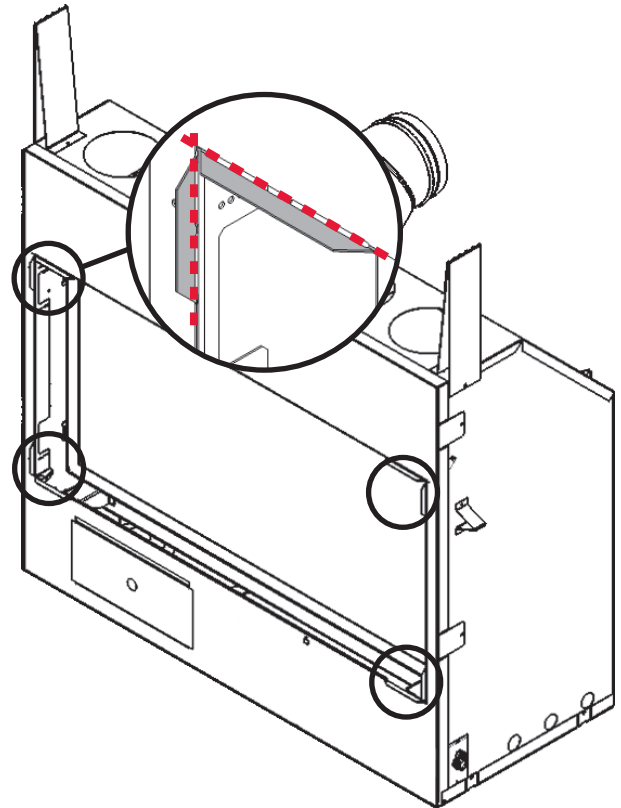
Show the customer how to remove the barrier screen and other parts to access the controls.

Follow the instructions provided with the trim and leave those instructions behind for the customer's further reference.

2530CIK—Clean Installation Kit ONLY

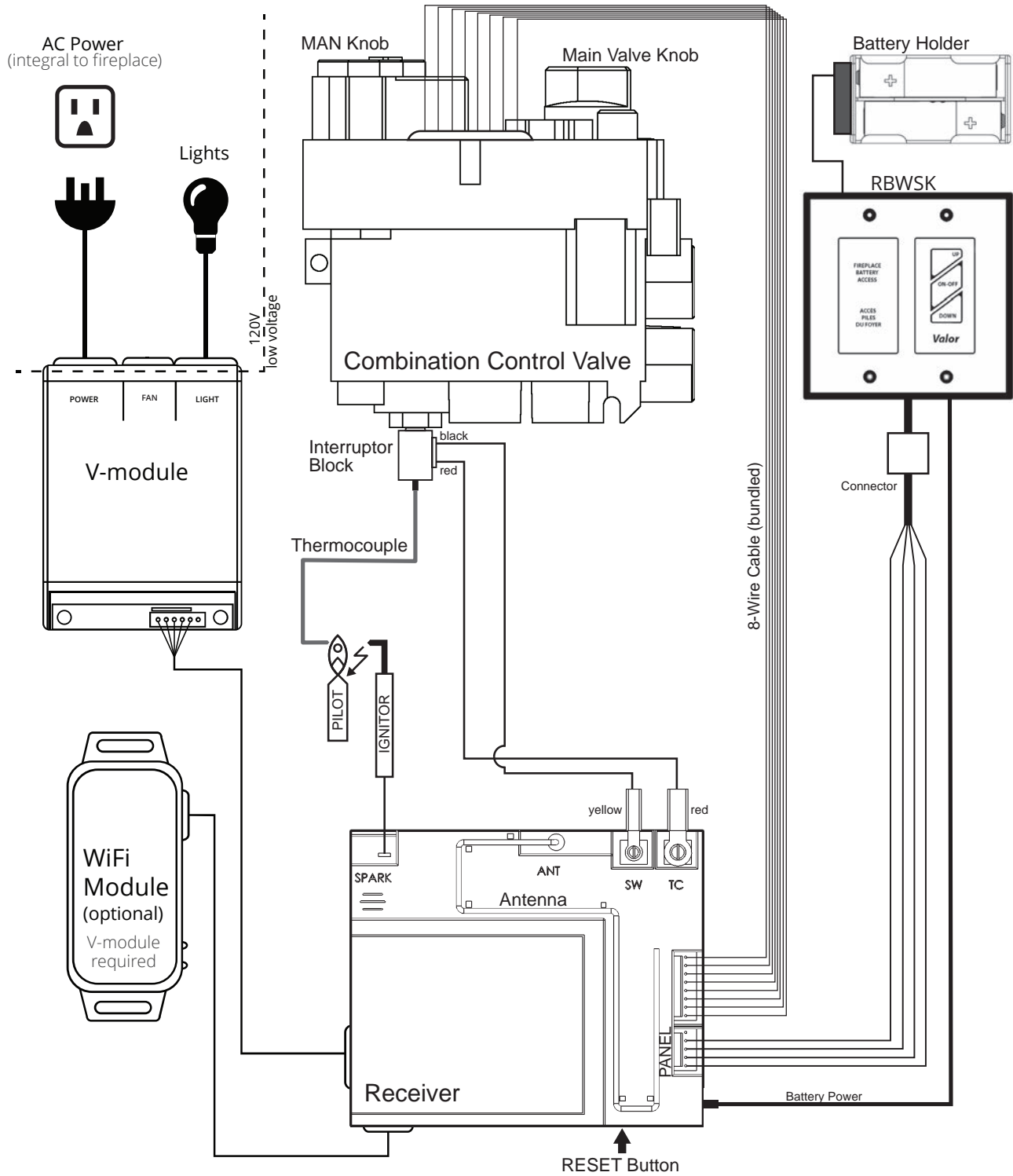
If you are installing the 2530CIK Clean Installation Kit, you need to do it BEFORE the non-combustible board.

Break off tabs from each corner of the fireplace's front opening (8 tabs, 2 at each corner). Bend tabs back and forth to break them, or cut them with tin snips as indicated in the kit's installation instructions.



Wiring Diagram

GV60 Wiring Diagram



⚠ WARNING
Electrical connection IS NOT ALLOWED
when adapting appliance for outdoor use.

Approved Venting Components

| Venting Parts Description | | Venting Parts Code / availability by Manufacturer | | | | | | | BDM | | |
|---|-------------------------------|---|---------------------------------------|--|------------------------|--------------------|---------------|--------------------------------|-----------|----------------------------|--------|
| | | DURA-VENT | SELKIRK | ICC EXCEL DIRECT | SECURE VENT | RLH INDUSTRIES | AMERIVENT | MILES INDUSTRIES | | | |
| Termination Caps | Horizontal | Standard Co-axial | 46DVA-HC | 4DT-HC | TM-4HT | — | — | 4DHC round | 658DVK2 | 940160 | |
| | | Deluxe Co-axial | — | — | TM-4RHT | — | — | 4DHCS square | — | 940160 | |
| | | High Wind Co-axial | — | — | — | SV4CHC | — | — | — | — | |
| | Vertical | Standard Co-axial | 46DVA-VC | 4DT-VT | — | — | HSDV4658-1313 | 4DVC | — | 940264 | |
| | | | | | | 4DH-1313 | | 940364 | | | |
| | | | | | | — | | 940206LP | | | |
| | | | High Wind Co-axial | 46DVA-VCH | — | TM-4SVT | SV4CGV | — | — | — | — |
| | | | Extended Co-axial | 46DVA-VCE | — | — | — | — | — | — | — |
| | | | Co-linear | 46DVA-CL34 46DVA-CL34P | 4DT-CC43 4DT-34IK35 | TM-IVT TM-ALK43 | 3PDVCV | HS-C34U-99 | HCL-99-43 | 559CLT | 942034 |
| | | | | | | | | HCL-913-43 | 940034B | | |
| | | | | | | HS-C34F-1313 | HCL-1313-43 | 940034HWS | | | |
| | | | | | | | DVIK43 | 940034RD | | | |
| | Snorkel, 14" Rise | 46DVA-SNK14 | 4DT-ST14 | TM-4ST14 | — | — | 4D14S | — | 94040614 | | |
| | Snorkel, 36" Rise | 46DVA-SNK36 | 4DT-ST36 | TM-4ST36 | — | — | 4D36S | — | 94040636 | | |
| Vent Adapters | Co-axial-to-Co-linear Adapter | 46DVA-GCL34 46DVA-34CLAA | ADT-AAC | TM-4CAA | — | — | 4DCAB43 | 1156CLA | 940106433 | | |
| | Co-linear-to-Co-axial Adapter | 46DVA-CT 46DVA-34CLTA | ADT-CTB | TM-4CTA | — | — | 4DCAT43 | — | — | | |
| Aluminum Flexible Liner | 3" or 4" diameter | NOTE: 2-ply liner approved to CAN/ULC S635 suitable for venting gas appliances. As manufactured by Z-Flex, Flexmasters or others. | | | | | | | | | |
| | | 2280 Series | AF3-35L AF4-35L | TM-ALK43 TM-ALT34 | — | — | — | — | — | 952703 952704 | |
| Adjustable Pipe Length and Pipe Extensions 4" x 6-5/8" | Galvanized or Black | 46DVA-08A 46DVA-08AB (3" to 7") | 4DT-ADJ 4DT-ADJ(B) | — | — | — | — | 4D7A or 4D7AB (3" to 5") | — | 94610608 (4" to 8-1/2") | |
| | Galvanized or Black | 46DVA-16A 46DVA-16AB (3" to 14-1/2") | ADT-AJ12 ADT-AJ12B (4" to 10") | TC-4DLS1 TC-4DLS1B | SV4LA SV4LBA | — | — | 4D12A or 4D12AB (3" to 10") | — | 94610616 (4" to 16") | |
| | Galvanized or Black | 46DVA-17TA 46DVA-17TAB (11" to 17") | ADT-TL14 ADT-TL14B (14" to 22") | TC-4DLS2 TC-4DLS2B (1-7/8" – 21") | SV4LA12 SV4LBA12 | — | — | 4D16A or 4D16AB (3" to 14") | — | — | |
| | Galvanized or Black | 46DVA-24TA 46DVA-24TAB (17" to 24") | ADT-TL38 ADT-TL38B (38" to 70") | TC-4DLA30 TC-4DLA30B (16.5" – 29") | SV4LA24 SV4LBA24 | — | — | 4D26A or 4D26AB (3" to 24") | — | — | |
| | Coaxial Flex | 46DVA-36FF 46DVA-60FF 46DVA-120FF | — | — | — | — | — | — | — | — | |
| DV 45° Elbows | Galvanized | 46DVA-E45 | — | TE-4DE45 | — | — | — | 4D45L | — | 94620645 | |
| | Black | 46DVA-E45B | — | TE-4DE45B | SV4EBR45 | — | — | 4D45LB | — | 94620645B | |
| | Galvanized Swivel | — | 4DT-EL45 | — | SV4E45 | — | — | — | — | — | |
| | Black Swivel | — | 4DT-EL45(B) | — | SV4EB45 | — | — | — | — | — | |
| DV 90° Elbows | Galvanized | 46DVA-E90 | — | TE-4DE90 | — | — | — | 4D90L | — | — | |
| | Black | 46DAV-E90B | — | TE-4DE90B | SV4EBR90 | — | — | 4D90LB | — | — | |
| | Galvanized Swivel | — | 4DT-EL90 | — | SV4E90 | — | — | — | — | 94620690 | |
| | Black Swivel | — | 4DT-EL90(B) | — | SV4EB90 | — | — | — | — | 94620690B | |

Approved Venting Components

| Venting Parts Description | | | Venting Parts Code / availability by Manufacturer | | | | | | | |
|-------------------------------|-----------------------------------|------------|---|-----------|-------------------|----------------|----------------|--------------------------------|------------------|------------|
| | | | DURA-VENT | SELKIRK | ICC EXCEL DIRECT | SECURE VENT | RLH INDUSTRIES | AMERIVENT | MILES INDUSTRIES | BDM |
| Pipes 4" x 6 5/8" (ID x OD) | 6" long | Galvanized | 46DVA-06 | 4DT-06 | TC-4DL6 | SV4L6 | — | — | — | 94610606 |
| | | Black | 46DVA-06B | 4DT-06(B) | TC-4DL6B | SV4LB6 | — | — | — | 90410606B |
| | 7" long | Galvanized | — | — | — | — | — | 4D7 | — | — |
| | | Black | — | — | — | — | — | 4D7B | — | — |
| | 9" long | Galvanized | 46DVA-09 | 4DT-09 | TC-4DL9 | — | — | — | — | 94610609 |
| | | Black | 46DVA-09B | 4DT-09(B) | TC-4DL9B | — | — | — | — | 94610609B |
| | 12" long | Galvanized | 46DVA-12 | 4DT-12 | TC-4DL1 | SV4L12 | — | 4D12 | — | 94610612 |
| | | Black | 46DVA-12B | 4DT-12(B) | TC-4DL1B | SV4LB12 | — | 4D12B | — | 94610612B |
| | 18" long | Galvanized | 46DVA-18 | 4DT-18 | — | — | — | — | — | 94610618 |
| | | Black | 46DVA-18B | 4DT-18(B) | — | — | — | — | — | 94610618B |
| | 24" long | Galvanized | 46DVA-24 | 4DT-24 | TC-4DL2 | SV4L24 | — | 4D2 | — | 94610624 |
| | | Black | 46DVA-24B | 4DT-24(B) | TC-4DL2B | SV4LB24 | — | 4D2B | — | 94610624B |
| | 36" long | Galvanized | 46DVA-36 | 4DT-36 | TC-4DL3 | SV4L36 | — | 4D3 | — | 94610636 |
| | | Black | 46DVA-36B | 4DT-36(B) | TC-4DL3B | SV4LB36 | — | 4D3B | — | 94610636B |
| | 48" long | Galvanized | 46DVA-48 | 4DT-48 | TC-4DL4 | SV4L48 | — | 4D4 | — | 94610648 |
| | | Black | 46DVA-48B | 4DT-48(B) | TC-4DL4B | SV4LB48 | — | 4D4B | — | 94610648B |
| Flashings | Roof Flashing 0/12-6/12 | | 46DVA-F6 | 4DT-AF6 | TF-4FA | SV4FA | — | 4DF (0/12-5/12) | — | 949606012 |
| | Roof Flashing 7/12-12/12 | | 46DVA-F12 | 4DT-AF12 | TF-4FB | SV4B | — | 4DF12 (6/12-12/12) | — | 949606712 |
| | Flat Roof Flashing | | 46DVA-FF | — | TF-4F | SV4F | — | — | — | 949606001 |
| | Masonry Flashing | | — | — | TF-4MF | — | — | — | 559FSK | — |
| | New Siding Flashing | | — | — | — | — | — | — | 658NSFK | — |
| Various Venting System Parts | Wall Thimble | | 46DVA-WT | 4DT-WT | TM-4WT | SV4RSM | — | 4DWT | — | 949064U |
| | Storm Collar | | 46DVA-SC | 4DT-SC | TM-SC | SV4AC | — | 4DSC | — | 94960608 |
| | Decorative Plate | | 46DVA-DC | 4DT-CS | TM-4TR TM-4TP | SV4PF | — | 4DFPB | — | 94940612 |
| | Cathedral Ceiling Support | | 46DVA-CS | 4DT-CCS | TM-4SS | — | — | 4DRSB | — | 949506KT |
| | Ceiling Firestop / Floor Support | | 46DVA-FS | 4DT-FS | TM-4RDS TM-CS | SV4BF SV4SD | — | 4DFSP | — | 94980612 |
| | Attic Radiation Shield / Firestop | | — | ADT-AIS | TM-4AS | — | — | 4DAIS12 (12") 4DAIS36 (36") | — | 94930620A |
| | Wall Strap | | 46DVA-WS | 4DTWS | TM-WS | — | — | 4DWS | — | 949164 |
| | Vinyl Siding Standoff | | 46DVA-VSS | 4DT-VS | TM-VSS | SV4VS | — | 4DHVS | — | 94800615S |
| | Elbow Strap / Offset Support | | 46DVA-ES | 4DT-OS | TM-OS | — | — | — | — | 949264 |
| | Terminal Guard | | 46DVA-WG | — | TM-HTS TM-RHTS | — | — | — | 845TG 658TG | 940164SHRD |

- Notes:**
1. Follow instructions supplied with each manufacturer's components.
 2. Unless otherwise specified, all the parts and assemblies from the above table are to be used with 4" x 6-5/8" pipes.
 3. Do not mix components from different vent manufacturers.
 4. Termination caps manufactured by RLH Industries or American Metal Products are from Homestyle Chimney Collection and can be ordered in one of the following finishes: a) aluminium; b) black powder coated; c) solid copper.

Commonwealth of Massachusetts

State of Massachusetts Carbon Monoxide Detector/Vent Terminal Signage Requirements

For all side wall horizontally vented gas fueled equipment installed in every dwelling, building or structure used in whole or in part for residential purposes, including those owned or operated by the Commonwealth and where the side wall exhaust vent termination is less than seven (7) feet above finished grade in the area of the venting, including but not limited to decks and porches, the following requirements shall be satisfied:

1. **INSTALLATION OF CARBON MONOXIDE DETECTORS.** At the time of installation of the side wall horizontal vented gas fueled equipment, the installing plumber or gas fitter shall observe that a hard wired carbon monoxide detector with an alarm and battery back-up is installed on the floor level where the gas equipment is to be installed. In addition, the installing plumber or gas fitter shall observe that a battery operated or hard wired carbon monoxide detector with an alarm is installed on each additional level of the dwelling, building or structure served by the side wall horizontal vented gas fueled equipment. It shall be the responsibility of the property owner to secure the services of qualified licensed professionals for the installation of hard wired carbon monoxide detectors.

a. In the event that the side wall horizontally vented gas fueled equipment is installed in a crawl space or an attic, the hard wired carbon monoxide detector with alarm and battery back-up may be installed on the next adjacent floor level.

b. In the event that the requirements of this subdivision can not be met at the time of completion of installation, the owner shall have a period of thirty (30) days to comply with the above requirements; provided, however, that during said thirty (30) day period, a battery operated carbon monoxide detector with an alarm shall be installed.

2. **APPROVED CARBON MONOXIDE DETECTORS.** Each carbon monoxide detector as required in accordance with the above provisions shall comply with NFPA 720 and be ANSI/UL 2034 listed and IAS certified.

3. **SIGNAGE.** A metal or plastic identification plate shall be permanently mounted to the exterior of the building at a minimum height of eight (8) feet above grade directly in line with the exhaust vent terminal for the horizontally vented gas fueled heating appliance or equipment. The sign shall read, in print size no less than one-half (1/2) inch in size, "GAS VENT DIRECTLY BELOW. KEEP CLEAR OF ALL OBSTRUCTIONS".

4. **INSPECTION.** The state or local gas inspector of the side wall horizontally vented gas fueled equipment shall not approve the installation unless, upon inspection, the inspector observes carbon monoxide detectors and signage installed in accordance with the provisions of 248 CMR 5.08(2)(a)1 through 4.

(b) **EXEMPTIONS:** The following equipment is exempt from 248 CMR 5.08(2)(a)1 through 4:

1. The equipment listed in Chapter 10 entitled "Equipment Not Required To Be Vented" in the most current edition of NFPA 54 as adopted by the Board; and

2. Product Approved side wall horizontally vented gas fueled equipment installed in a room or structure separate from the dwelling, building or structure used in whole or in part for residential purposes.

(c) **MANUFACTURER REQUIREMENTS - GAS EQUIPMENT VENTING SYSTEM PROVIDED.** When the manufacturer of Product Approved side wall horizontally vented gas equipment provides a venting system design or venting system components with the equipment, the instructions provided by the manufacturer for installation of the equipment and the venting system shall include:

1. Detailed instructions for the installation of the venting system design or the venting system components; and

2. A complete parts list for the venting system design or venting system.

(d) **MANUFACTURER REQUIREMENTS - GAS EQUIPMENT VENTING SYSTEM NOT PROVIDED.** When the manufacturer of a Product Approved side wall horizontally vented gas fueled equipment does not provide the parts for venting the flue gases, but identifies "special venting systems", the following requirements shall be satisfied by the manufacturer:

1. The referenced "special venting system" instructions shall be included with the appliance or equipment installation instructions; and

2. The "special venting systems" shall be Product Approved by the Board, and the instructions for that system shall include a parts list and detailed installation instructions.

(e) A copy of all installation instructions for all Product Approved side wall horizontally vented gas fueled equipment, all venting instructions, all parts lists for venting instructions, and/or all venting design instructions shall remain with the appliance or equipment at the completion of the installation.

Appendix A—Lighting Instructions

FOR YOUR SAFETY, READ BEFORE LIGHTING

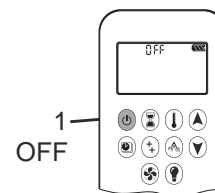
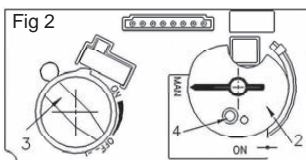
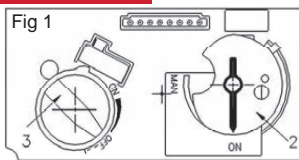
WARNING: If you do not follow these instructions exactly a fire or explosion may result causing property damage, personal injury or loss of life.

- A. This appliance has a pilot which must be lighted by hand or by remote control. Follow these instructions exactly. To save gas, turn the pilot off when not using the appliance for a prolonged period of time.
- B. BEFORE LIGHTING, smell all around the appliance area for gas. Be sure to smell next to the floor because some gas are heavier than air and will settle on the floor.

WHAT TO DO IF YOU SMELL GAS

- Do not try to light any appliance.
 - Do not touch any electric switch; do not use any phone in your building.
 - Immediately call your gas supplier from a neighbor's phone. Follow the gas supplier's instructions.
 - If you cannot reach your gas supplier, call the fire department.
- C. Use only your hand to push in or turn the control knobs. Never use tools. If the knobs will not push in or turn by hand, don't try to repair them; call a qualified service technician. Force or attempted repair may result in a fire or explosion.
- D. Do not use this appliance if any part has been under water. Immediately call a qualified service technician to inspect the appliance and to replace any part of the control system and any gas control, which has been under water.

LIGHTING INSTRUCTIONS



1. STOP! Read the safety information above

2. TO CLEAR ANY GAS, turn main valve off by pressing the ⏻ button on remote handset (1).

Wait five (5) minutes to clear out any gas, then smell for gas, including near the floor. If you smell gas, STOP! follow "B" in the safety information above on this label. If you don't smell gas, go to the next step.

3. AUTOMATIC IGNITION: MAN-knob (2) in ON position. Ensure Flame Adjustment knob (3) is set to lowest setting (Fig. 1). Locate the pilot (Fig. 3.) inside the firebox.

On the remote control handset, press the ⏻ button; a short acoustic signal confirms the start has begun.

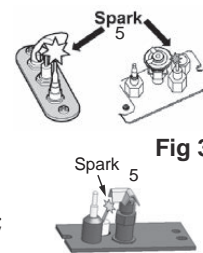
Further short acoustic signals indicate the ignition process is in progress. When the pilot is lit, the Flame Adjustment knob (3) will automatically rotate to the highest setting. Press the ⏴ button on the remote control handset to reduce the flame height.

4. MANUAL IGNITION: MAN-knob (2) in MAN position (Fig. 2).

With the window off, locate the pilot (Fig. 3) inside the firebox. Set Flame Adjustment knob (3) to the lowest setting. Push down the metallic core (4) with a pen or similar instrument; this will establish the pilot gas flow. Light gas at the pilot (5) with a match.

Continue holding down metal core (4) for about 10 seconds; after release, pilot should remain lit.

If the pilot will not stay lit after several tries, turn the gas control knob (3) to OFF and call your local service technician or gas supplier. Reinstall the window and set the MAN-knob (2) to ON; turn Flame Adjustment knob (3) up or down manually or use the ⏴ and ⏵ buttons on the remote control handset to adjust the flame height.



TO TURN OFF GAS TO APPLIANCE

AUTOMATIC SHUT-OFF (using the remote control handset):

Press and hold the ⏴ button on the remote control handset to shut-off the main burner gas flow.

Press the ⏻ button on remote handset to shut-off the appliance, including pilot flame.

CAUTION: Due to high surface temperature, keep children, clothing and furniture away. Keep burner and control compartment clean.

See installation and operating instructions accompanying the appliance.

WARNING: Improper installation, adjustment, alteration, service or maintenance can cause injury or property damage. Refer to the owner's information manual provided with this appliance. For assistance or additional information consult a qualified installer, service agency or gas supplier.

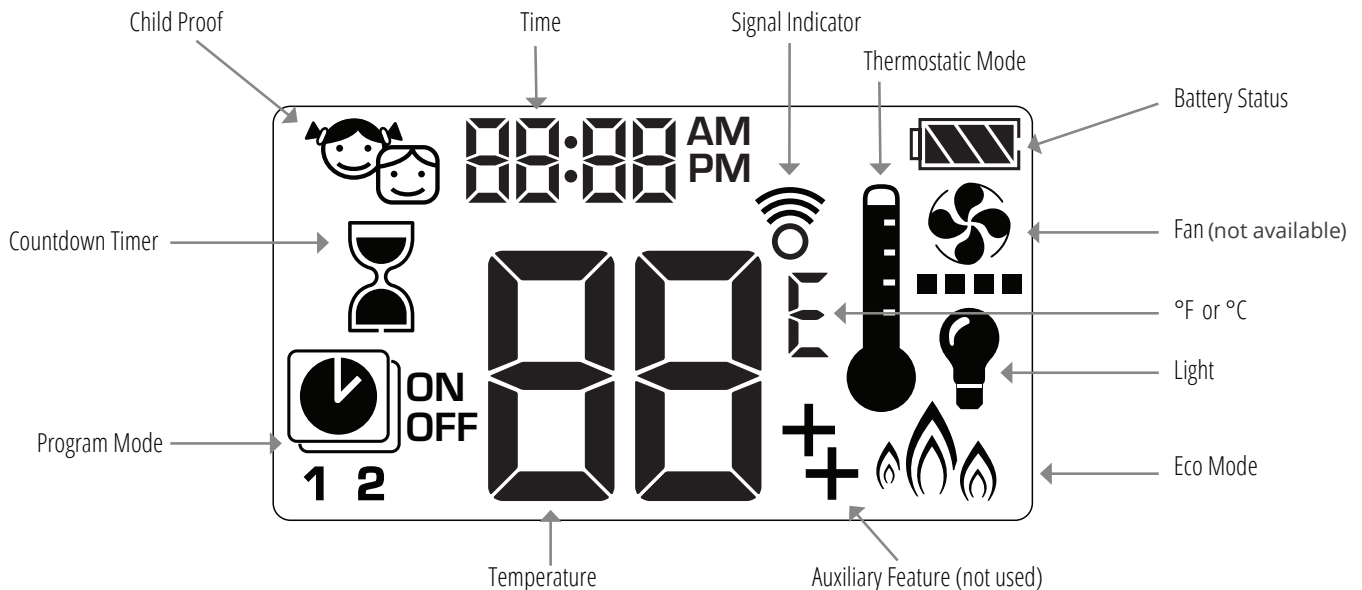
THIS APPLIANCE MUST BE INSTALLED IN ACCORDANCE WITH LOCAL CODES, IF ANY. IF NONE, FOLLOW THE NATIONAL FUEL GAS CODE, ANSI Z 233.1, OR CANADIAN INSTALLATION CODES, CAN/CGA-B149.

Appendix B—Remote Control Operation

Initial Pairing

Before the remote control can be used with the fireplace, it must be paired. See “Remote Control Initial Pairing” on page 54.

Main Display



To Turn On Fire

NOTE: When pilot ignition is confirmed, motor automatically turns to maximum flame height.

One-Button lighting (default):

Two-Button lighting: + simultaneously

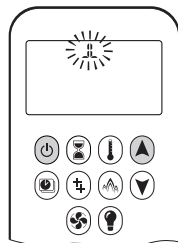
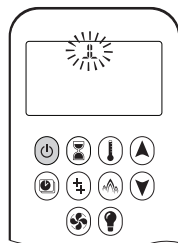
Press and hold for 4 seconds, until 8 short beeps and a blinking series of lines confirms the start sequence has begun. Release button.

Main gas flows once pilot ignition is confirmed.

Handset automatically goes into manual mode after main burner ignition.

Standby Mode (Pilot Flame)

Press and hold to set appliance to pilot flame.

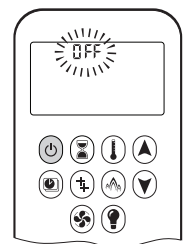


CAUTION: If the pilot does not stay lit after several tries call your local service technician or gas supplier.

To Turn Off Fire

Press to turn OFF.

Note: There is a 2 minute delay after switching off before the next ignition is possible.

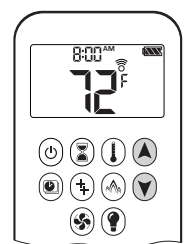


CAUTION: Always check the fire and pilot visually to ensure they are off.

Flame Height Adjustment


To increase flame height, press and hold .

To decrease flame height, press and hold . You may hold the button down until the fire is set to pilot flame only.

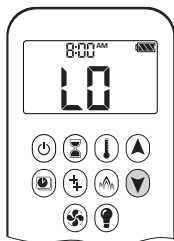



Appendix B—Remote Control Operation

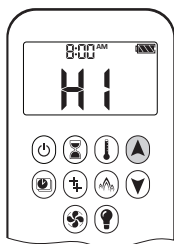
Designated Low Fire and High Fire

To go to low fire, double-click . "LO" is displayed.

Note: Flame goes to high fire first before going to low fire.




To go to high fire, double-click . "HI" is displayed.



Choosing 1-Button or 2-Button Ignition

On the remote control handset, you can choose a 1-button or 2-button ignition. You can also choose to activate or deactivate some of the functions. By default, the handset is set to a 1-button ignition.

To change from 1-button to 2-button ignition, remove the batteries, wait 10 seconds, reinsert batteries, and immediately when the display flashes, press and hold the  button for 10 seconds. **ON** is displayed and **1** is flashing. When change is complete, **1** changes to **2**.


To change from 2-button to 1-button ignition, proceed the same as above. **ON** is displayed and **2** is flashing. When change is complete, **2** changes to **1**.

Deactivating or Activating Functions

These functions are active by default, but can be deactivated at any time:

- Child Proof
- Program Mode
- Thermostatic Mode
- Eco Mode
- Circulating Fan Operation
- Countdown Timer

To deactivate functions:


1. Install batteries. All icons are displayed and flashing.
2. While the icons are flashing, press the relevant function button and hold for 10 seconds.
3. The function icon will flash until deactivation is complete. Deactivation is complete when the function icon and two horizontal bars () are displayed.

Note: If a deactivated button is pressed, there is no function, and the two horizontal bars are displayed.

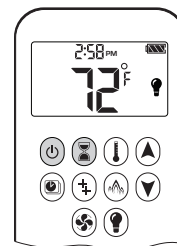
To activate functions:

1. Install batteries. All icons are displayed and flashing.
2. While the icons are flashing, press the relevant function button and hold for 10 seconds.
3. The function icon will continue to flash until activation is complete, and then turn solid. Activation is complete when the function icon is displayed.












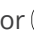


Setting Celsius or Fahrenheit

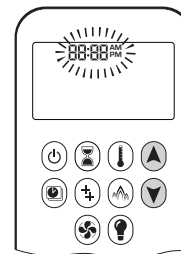
To change between °C and °F, press and hold  +  simultaneously.

Note : °C = 24-hour clock
°F = 12-hour clock



Setting the Time

1. Press  +  simultaneously. **Day** flashes.
2. Press  +  to select a number to correspond with the day of the week.
 - 1 = Monday
 - 2 = Tuesday
 - 3 = Wednesday
 - 4 = Thursday
 - 5 = Friday
 - 6 = Saturday
 - 7 = Sunday
3. Press  +  simultaneously. **Hour** flashes.
4. To select hour press  or .
5. Press  +  simultaneously. **Minutes** flash.
6. To select minutes press  or .
7. To confirm, press  +  simultaneously or wait.



Appendix B—Remote Control Operation

Child Proof

Your handset can be set to lock out all commands to the fireplace, except OFF.

To turn Child Proof ON:

1. Press and hold (⏻) + (⏮) simultaneously.
2. 👤 is displayed. Child Proof is now active.

To turn Child Proof OFF:

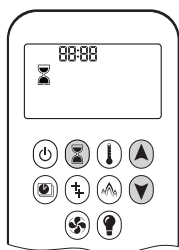
1. Press and hold (⏻) + (⏮) simultaneously.
2. 👤 disappears. Child Proof is now inactive, and the handset has full function.

Countdown Timer

You can set your fireplace to automatically turn off at the end of a timer.

To set a Countdown Timer:

1. Press and hold (⌚) until ⌚ is displayed.
Hour flashes.
2. Press (▲) or (▼) to select Hour.
3. To confirm, press (⌚).
Minutes flash.
4. Press (▲) or (▼) to select Minutes.
5. To confirm, press (⌚) or wait.



To turn off a Countdown Timer:

1. Press (⌚), and the ⌚ countdown disappears.

Note: The Countdown Timer only works in Manual, Thermostatic, and Eco modes. Maximum countdown time is 9 hours and 50 minutes.

Light/Dimmer Operation

On:

Press (💡), 💡 is displayed. Light is on at preset level.

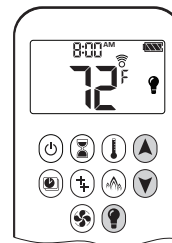
Off:

Press (💡), 💡 disappears. Light turns off.

Setting:

1. Press and hold (💡) until 💡 flashes.
2. To adjust light between 20-100% press (▲) or (▼).
3. To confirm setting either press (💡) or wait.
💡 is displayed.

Note: The light works independently of the pilot flame. If you want the light on but no flame, press (💡) button.

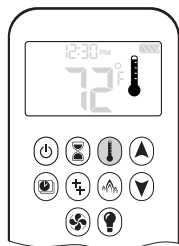


Appendix B—Remote Control Operation

Modes of Operation

Thermostatic Mode

The room temperature is measured and compared to the set temperature. The flame height is automatically adjusted to achieve the set temperature.



Program Mode


The temperature is controlled by Programs 1 and 2, each of which can be set to go on and off at specific times, at a set temperature.



Eco Mode

Flame height modulates between high and low. If the room temperature is lower than the set temperature, the flame height stays on high for a longer period of time. If the room temperature is higher than the set temperature, the flame height stays on low for a longer period of time. One cycle lasts approximately 20 minutes.





 If any of the above modes (Thermostatic, Program, or Eco) are engaged by the MyFire app over WiFi, the handset will display **APP**.

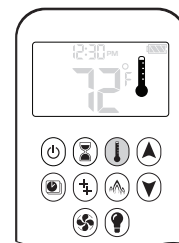
Manual Mode

The on/off status of the fireplace, as well as flame height, are manually controlled by the user.






Thermostatic Mode

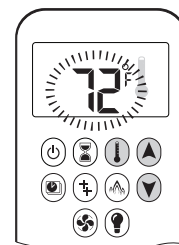
On:

Press .  is displayed. Preset temperature displays briefly, followed by the room temperature.








Setting Desired Temperature:

1. Press and hold  until  is displayed and set temperature flashes.
2. To adjust set temperature, press  or .
3. To confirm, press  or wait.



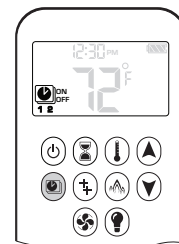
Off:

1. Press .
2. Press  or  to go to Manual Mode.
3. Press  to go to Program Mode.
4. Press  to go to Eco Mode.



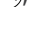


Program Mode

On:

Press . , **1** or **2**, **ON** or **OFF** are displayed.




Off:

1. Press , , or  to go to Manual Mode.
2. Press  to go to Thermostatic Mode.
3. Press  to go to Eco Mode.








Note: The set temperature for Thermostatic Mode is the temperature for the ON time in Program Mode. Changing the Thermostatic Mode set temperature also changes the ON time temperature in Program Mode.

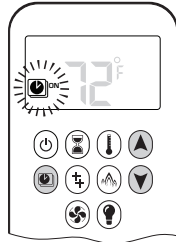
Default Settings:

- ON TIME (Thermostatic) TEMPERATURE: 70°F / 21°C
- OFF TIME TEMPERATURE: "  " (pilot flame only)

Appendix B—Remote Control Operation




Temperature Setting:

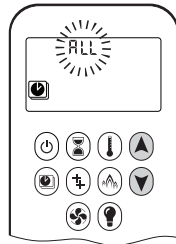
1. Press and hold  until  flashes. **ON** and set temperature (set in Thermostatic Mode) is displayed.
2. To continue, press  or wait.  **OFF** displayed, temperature flashes.
3. Select off temperature by pressing  or .
4. To confirm, press .



Note: The on (Thermostatic) and off set temperatures are the same for each day.









Day Setting:

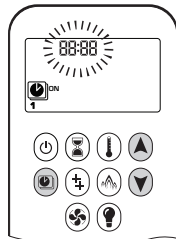
1. **ALL** flashes. Press  or  to choose between:
 - **ALL** = same settings ON-OFF every day
 - **SA:SU** = same settings ON-OFF Saturday and Sunday
 - **1, 2, 3, 4, 5, 6, 7** = daily timer—unique ON-OFF settings for a single day of the week, for multiple days of the week or for every day of the week.
2. To confirm, press .







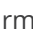



ALL Selected (same settings every day)

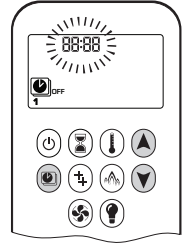
On Time Setting (PROGRAM 1)

1.  **1, ON** are displayed. **ALL** is displayed briefly. Hour flashes.
2. To select hour, press  or .
3. To confirm, press .  **1, ON** are displayed. **ALL** displayed briefly. Minutes flash.
4. To select minutes, press  or .
5. To confirm, press .



Off Time Setting (PROGRAM 1)

1.  **1, OFF** are displayed. **ALL** is displayed briefly. Hour flashes.
2. To select hour, press  or .
3. To confirm, press .  **1, OFF** are displayed. **ALL** displayed briefly. Minutes flash.
4. To select minutes, press  or .
5. To confirm, press .



Note: Either continue to PROGRAM 2 and set ON and OFF times or stop programming at this point, and PROGRAM 2 remains deactivated.

Note: PROGRAM 1 and 2 use the same ON (Thermostatic) and OFF temperatures. Once a new ON (Thermostatic) and/or OFF temperature has been set, that temperature becomes the new default setting.

Note: ON and OFF times programmed for PROGRAM 1 and PROGRAM 2 become the new default times.



The batteries must be removed to clear the PROGRAM 1 and PROGRAM 2 ON and OFF times and temperatures.

SA:SU (same settings Saturday and Sunday) or 1, 2, 3, 4, 5, 6, 7 (different settings on different days)

- Set on time and off time using the same procedure as “ALL Selected” above.
- Waiting to finish setting.

Eco Mode

On:

Press  button to enter Eco Mode.  is displayed.

Flame height modulates between high and low every 20 minutes.


Off:

Press  button to exit Eco Mode.  disappears.

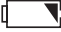


Appendix B—Remote Control Operation

Low Battery Indication

 **CAUTION:** Do not use a screwdriver or other metallic object to remove the batteries from the battery holder or the handset. This could cause a short circuit.

Handset

The battery icon  will show when the battery needs to be replaced. Replace with two 1.5 V AAA alkaline batteries.

Receiver

Frequent beeps for 3 seconds when the motor turns indicate the batteries in the battery holder need to be replaced. Replace with four 1.5 V AA alkaline batteries.

Automatic Shut Off

Countdown Timer

At the end of countdown time period, the fire turns off. The Countdown Timer only works in Manual, Thermostatic, and Eco Modes. Maximum countdown time is 9 hours and 50 minutes.

Low Battery Receiver

With low battery power in the battery holder, the system shuts off the fire completely. (This will not happen if the power is completely interrupted.)

Seven Day Shut Off

The system shuts off the fire completely if there is no change in flame height for 7 days.

Automatic Turn Down



3 Hour No Communication Function

The valve will turn to pilot flame if there is no communication between the handset and receiver for a 3-hour period. The fire will continue to function normally when communication is restored.

Appendix B—Remote Control Operation

Error Codes

In the event of an error condition with the handset or fireplace, the handset will display an error code.

| Failure Code | Message on Handset | Duration of Display | Symptom | Possible Cause |
|--------------|---|---------------------|---|---|
| F04 | F04 | 4 sec | <ul style="list-style-type: none"> No pilot flame within 30 sec Note: after 3 failed ignition sequences, F06 shown | <ul style="list-style-type: none"> No gas supply Air in pilot supply line No spark Reversed polarity in thermocouple wiring |
| F06 | F06 | 4 sec | <ul style="list-style-type: none"> 3 failed ignition sequences in 5 minutes Fire is not responding, no pilot flame | <ul style="list-style-type: none"> No gas supply Air in pilot supply line No spark Reversed polarity in thermocouple wiring Incorrect pilot orifice if valve has been converted from LPG to NG or vice versa |
| F07 | Low battery symbol  | Permanent | <ul style="list-style-type: none"> Battery icon flashes on handset display | <ul style="list-style-type: none"> Low battery in handset |
| F09 | F09 | 4 sec | <ul style="list-style-type: none"> Fire is not responding No electronic control of fire | <ul style="list-style-type: none"> Down arrow button  was not pressed during pairing Receiver and handset are not synced |
| F46 | F46 | 4 sec | <ul style="list-style-type: none"> Fire is not responding Intermittent response No electronic control of fire | <ul style="list-style-type: none"> No or bad connection between receiver and handset No power at receiver (batteries low) Low communication range (mains adapter faulty, handset not communicating with receiver) |


Appendix C—Wall Switch Operation

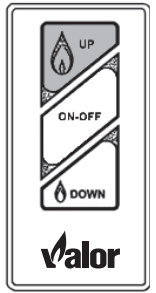
The Wall Switch can be used to control your fireplace. You can turn the pilot on or off and you can increase or decrease the flame height.

Note that the thermostat and programming functions are not available with the wall switch.



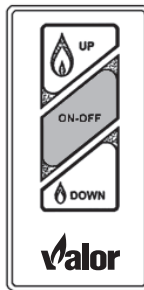
Adjusting Flame Height


Press and hold large flame  button to gradually increase flame height.

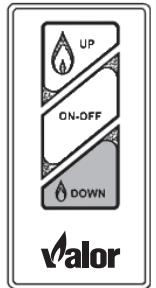


Turning Appliance ON and OFF

Press ON-OFF button once to light pilot. Press again to shut off pilot.



Press and hold small flame  button to gradually decrease flame height.



Appendix D—HeatShift™ System

HeatShift™ System

Planning Installation: LT1 with HeatShift™

Instructions for use with the following **Valor Heater Models: 2500K only**

Application

The HeatShift™ system redistributes the warm air flow away from the fireplace opening to a more desirable location using natural convection without use of a fan.

Plenums LDK1, LDK3, LDK4 or LDK9: the warm air flow is relocated to a position higher up the wall, out the sidewalls, or even to an adjacent room.

Termination Plates LDK7: the warm air flow is discharged through a gap (min. 2-1/2") between the wall above the fireplace and the ceiling. **LDK7's discharge opening must be located in the same room as the fireplace.**

The result is much cooler wall temperatures above the fireplace opening for locating televisions, artwork, etc.

As a further option, the warm airflow may be extracted away from the duct kit plenum (**LDK1 and LDK4 ONLY**) by connecting a 1270RBK Remote Blower Kit to the duct kit plenum.

Any kit, LDK1, LDK3, LDK4, LDK7 or LDK9 may be used with compatible model fireplace LT1. These kits are compatible with the listed fireplaces only.

Note: These instructions are to be used in conjunction with instructions regarding fireplace installation in this manual.

Approvals

The LDK1, LDK3, LDK4, LDK7 and LDK9 duct kits are CSA approved for use only with Valor Series fireplaces listed above—DO NOT use with any other models.

This HeatShift system may also be used to reduce wall surface temperatures on approved outdoor installations.

5-inch diameter duct used with this kit must be metal and meet requirements of UL-181 Class 1 Air Duct. Flexible aluminum duct is acceptable provided it meets the UL-181 Class 1 requirements.



WARNING

DO NOT cover or place objects in front of or on top of air outlet(s). AVOID locating outlet within 7 feet above floor level as discharge temperatures are hot!



WARNING

When placing discharge close to ceilings, staining or streaking may occur on light colored ceilings due to any dust, etc. in air flow; placing plenum(s) lower on the wall will help reduce the possibility of staining or streaking.

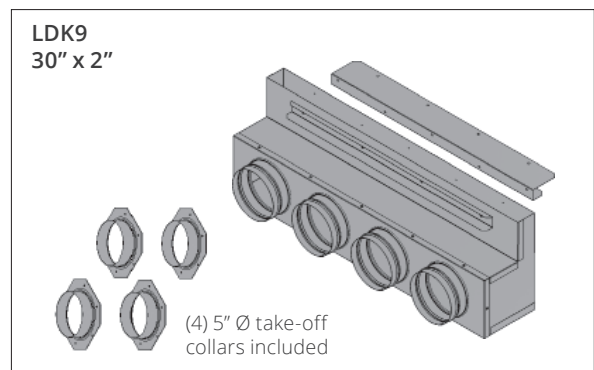
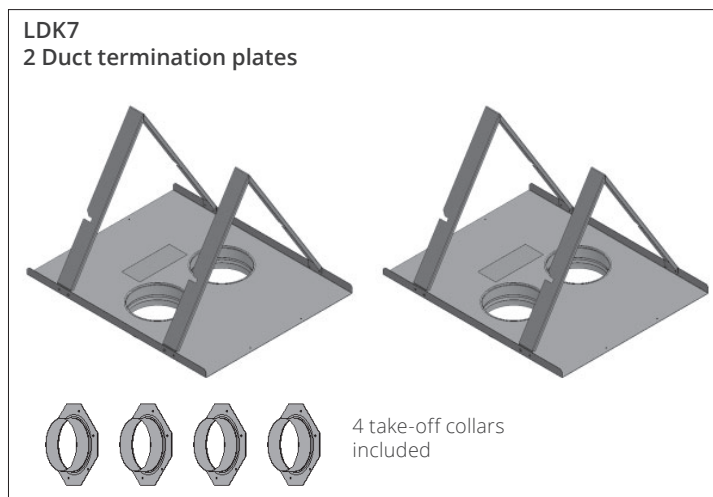
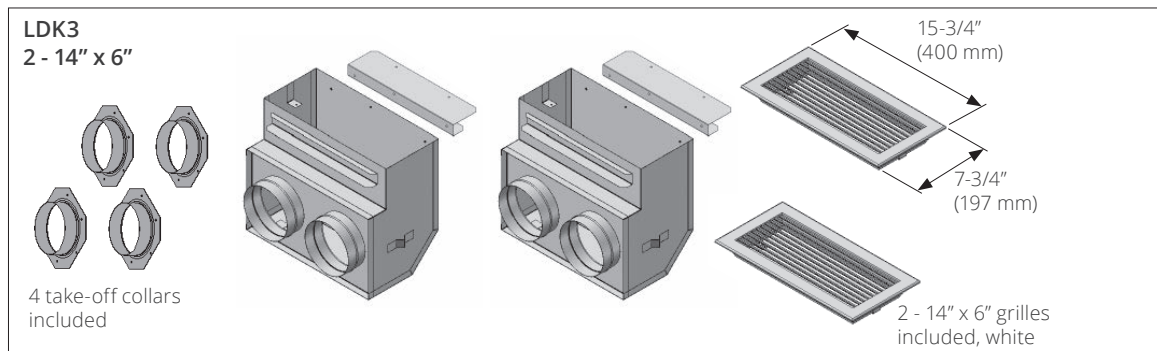
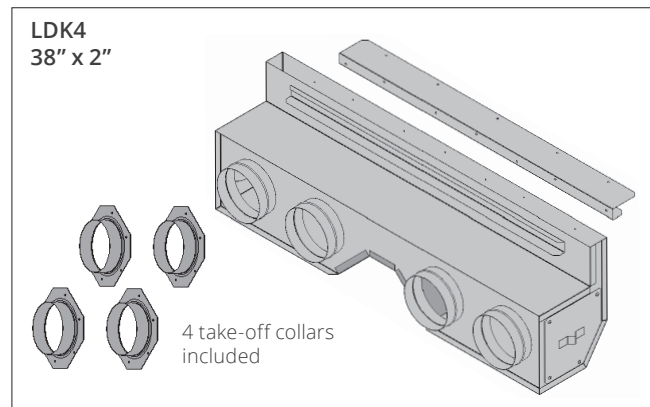
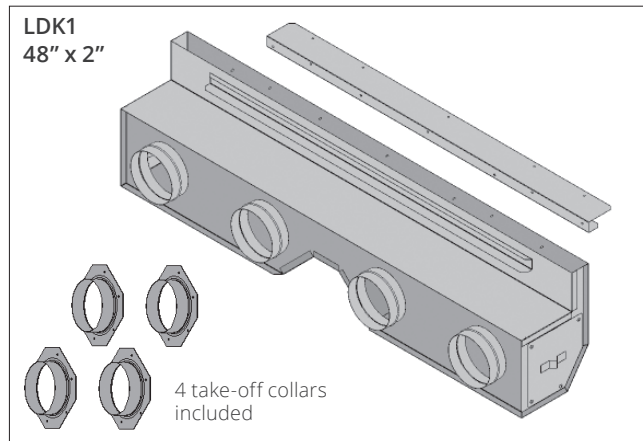
Appendix D—HeatShift™ System

Kits

There are 5 kits to choose from:

- LDK1—48" Plenum
- LDK3—14" Plenums (2), includes grilles
- LDK4—38" Plenum
- LDK7—Duct Termination Plates (2)—for wall valance discharge ONLY
- LDK9—30" Plenum

Kits Contents

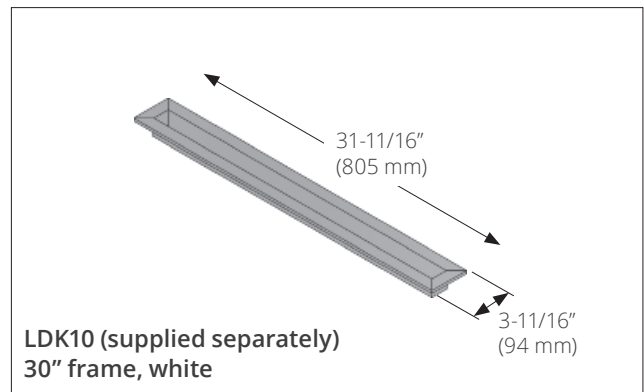
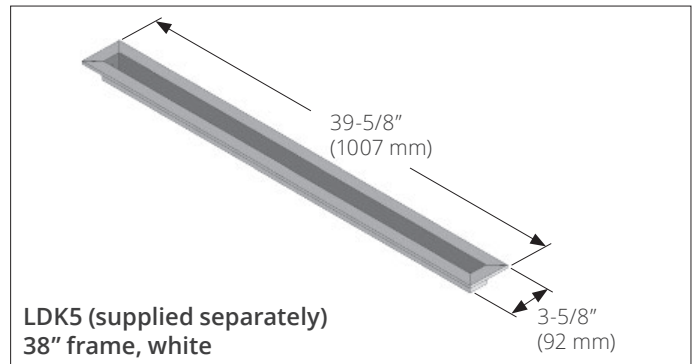
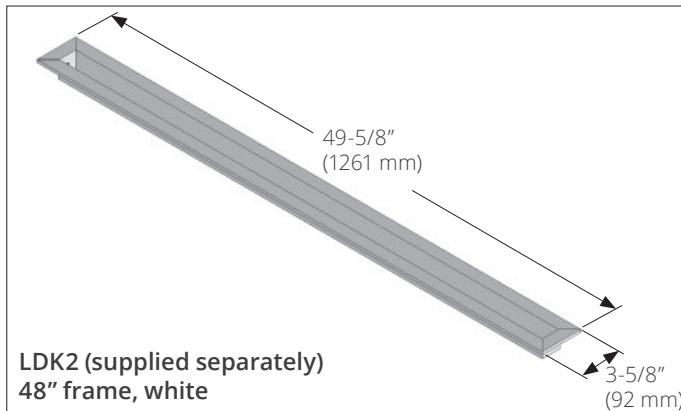


Appendix D—HeatShift™ System

Optional accessories

- LDK2—48" Finishing Frame, to use with LDK1
- LDK5—38" Finishing Frame, to use with LDK4
- LDK6— 5" dia Aluminum 2-ply Flex Kit—
2 x 10'-0" lengths, may be cut to required length
- LDK10—30" Finishing Frame, to use with LDK9

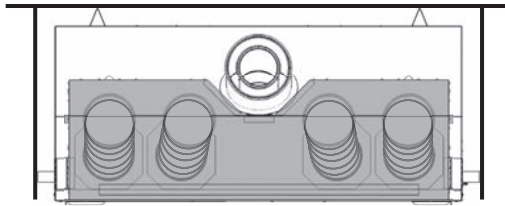
Kits Contents



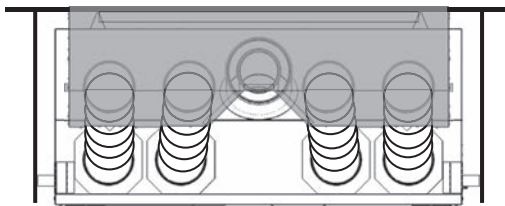
Note: One set of LDK6 kit contents are included with this appliance.

Appendix D—HeatShift™ System

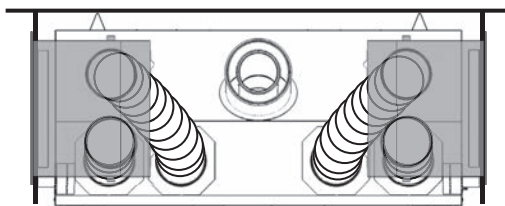
Suggested Configurations (top view)



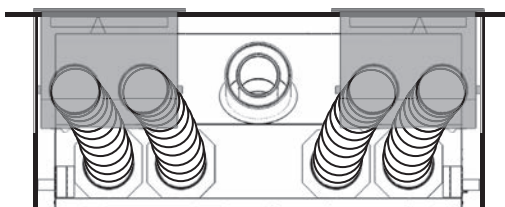
Front wall outlet using LDK1, LDK4 (shown) or LDK9



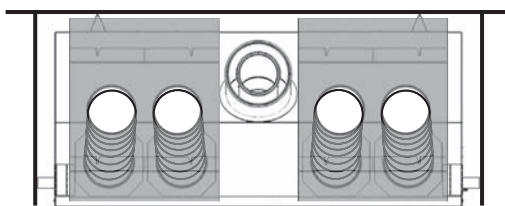
Rear wall outlet using LDK1, LDK4 (shown) or LDK9
Note: Fireplace vent may conflict with plenum.
Offset vent around plenum.



Side wall outlets using LDK3

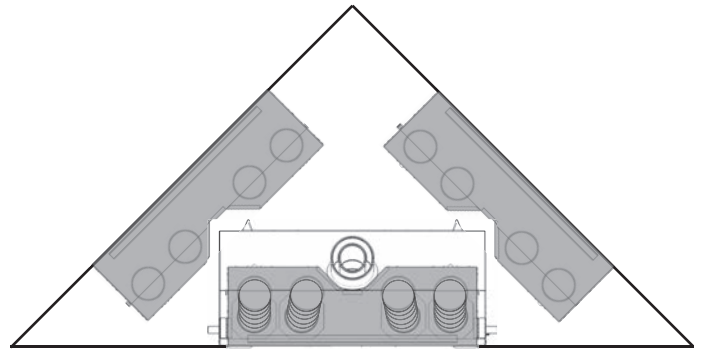


Rear wall outlets using LDK3



Top outlet using LDK7
Note: When using LDK7, the discharge opening must be located in the same room as the fireplace.

Corner installations



WARNING

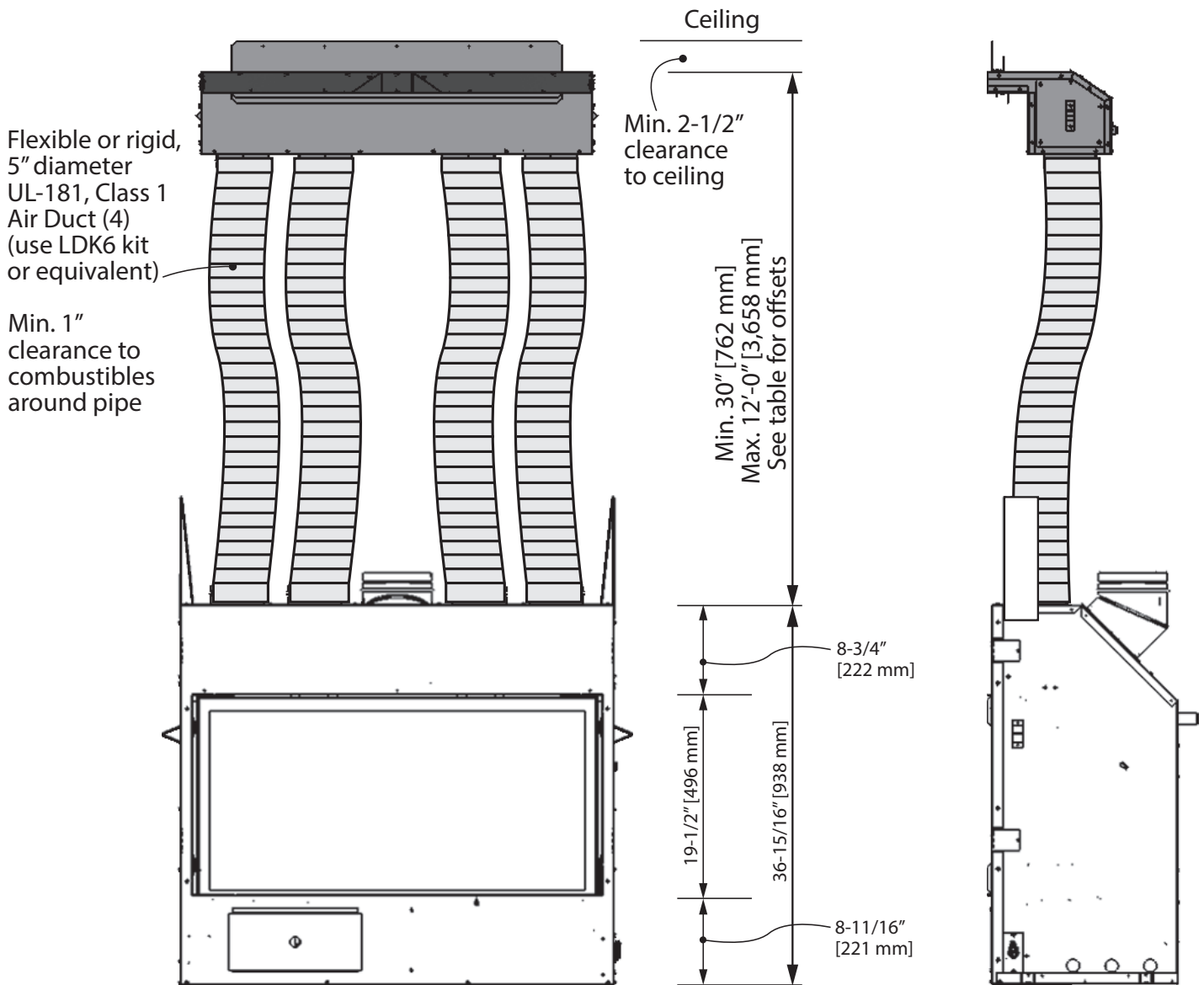
The plenum duct kits are approved for horizontal discharge **ONLY**. The termination duct plates (LDK7) are approved for vertical upward discharge **ONLY**. **DO NOT** install plenum or termination plates in floor or ceiling. **DO NOT COVER OR PLACE** objects in front of or on top of air outlet(s). **AVOID** locating outlet within 7 feet of the floor level as discharge air temperatures are hot!

DO NOT DISCHARGE THROUGH EXTERIOR WALLS!

NOTE This duct kit may be used for outdoor installations to reduce wall temperatures above the unit. The discharge grilles must be located under the weatherproof enclosure described in the GV60CKO Outdoor Fireplace Conversion Kit instructions.

Appendix D—HeatShift™ System

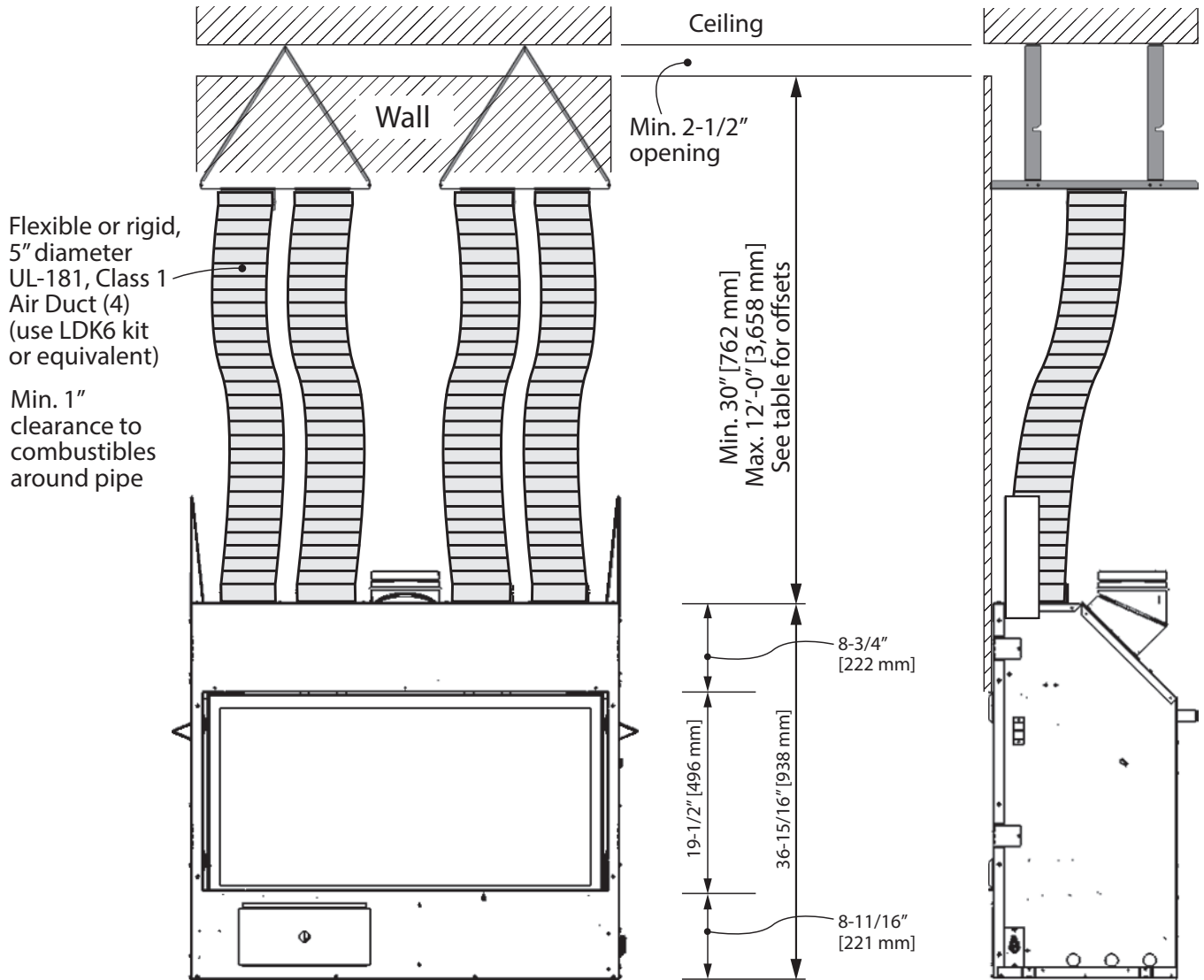
Overview (applies to LKD1, LDK3, LDK4 and LDK9 kits)



Appendix D—HeatShift™ System

Overview (applies to LDK7)

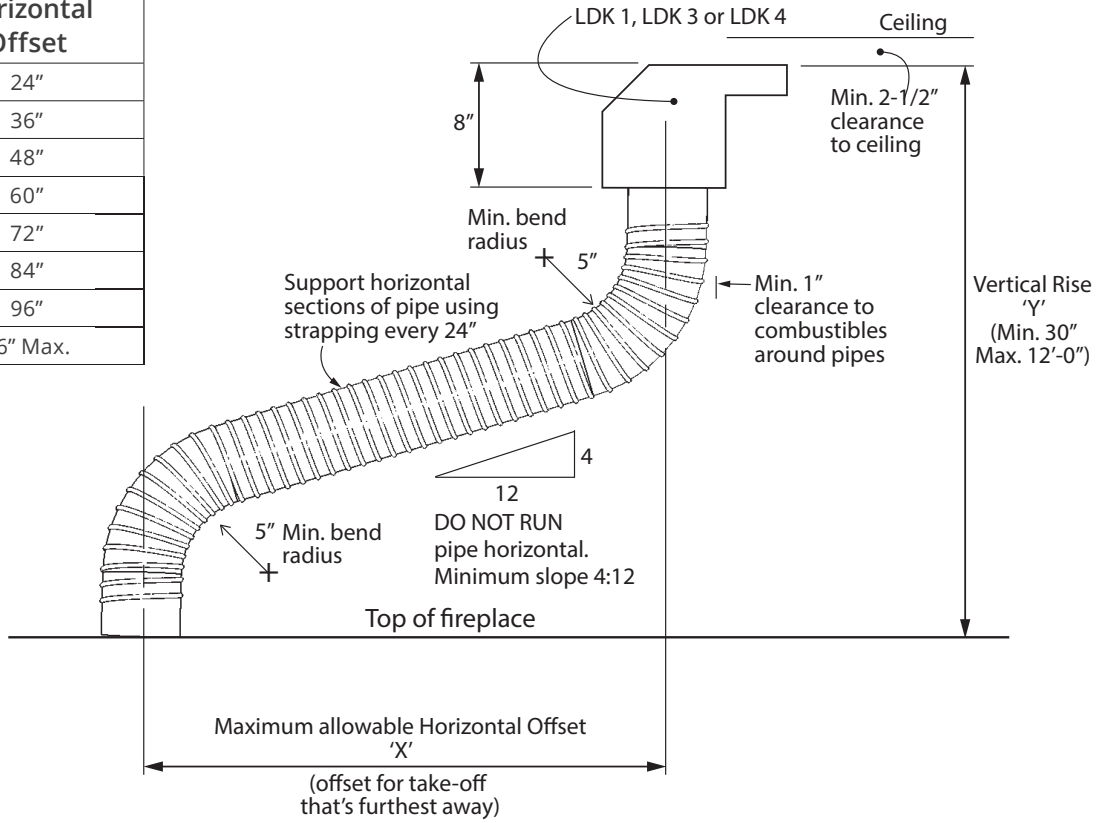
NOTE Discharge opening must be located in the same room as fireplace when using LDK7.



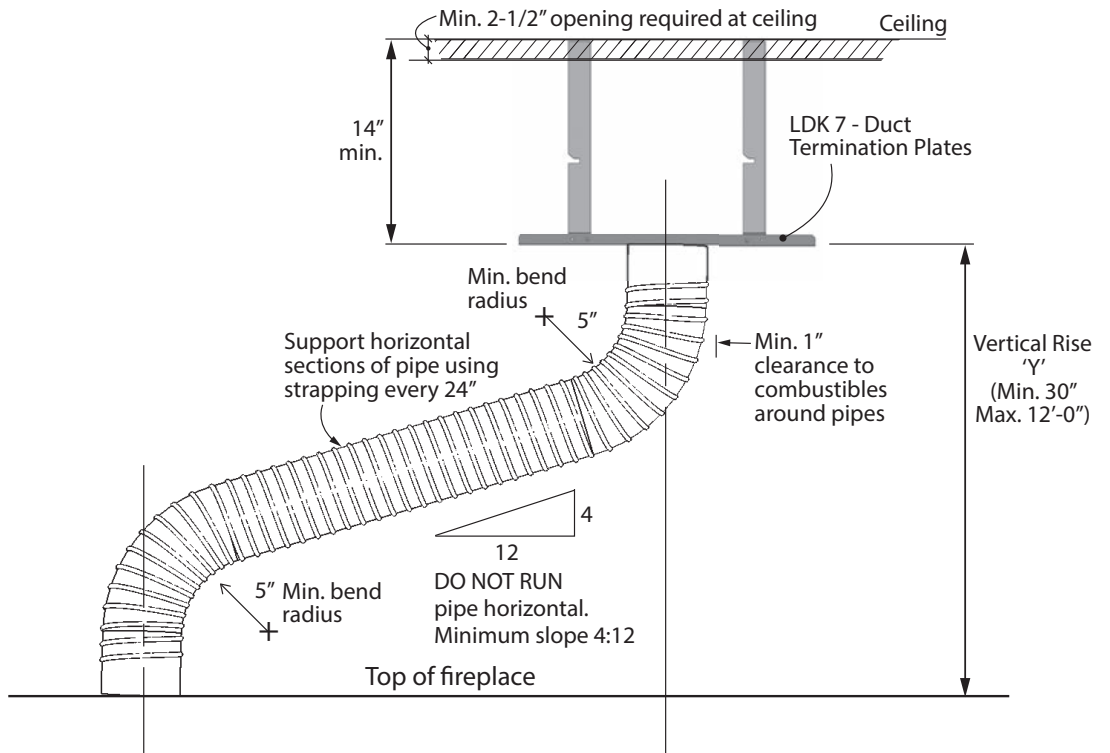
Appendix D—HeatShift™ System

| Y Vertical Rise | X Max. Allowable Horizontal Offset |
|--------------------|---|
| 30" | 24" |
| 36" | 36" |
| 42" | 48" |
| 48" | 60" |
| 54" | 72" |
| 60" | 84" |
| 66" | 96" |
| 12'-0" | 96" Max. |

With Plenum

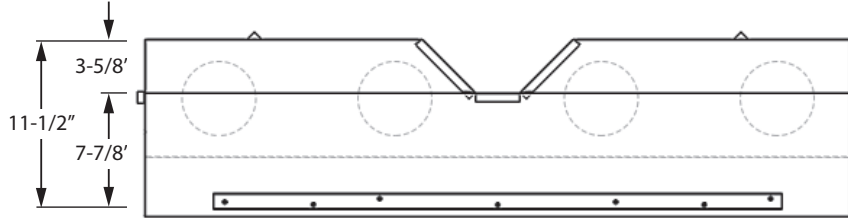


With Plates

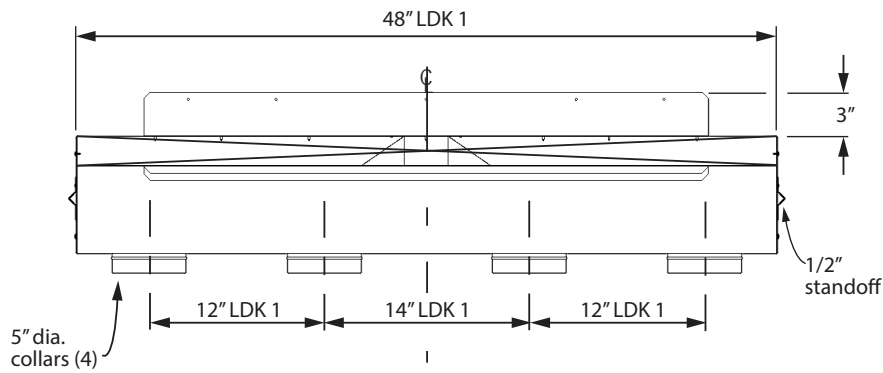


Appendix D—HeatShift™ System

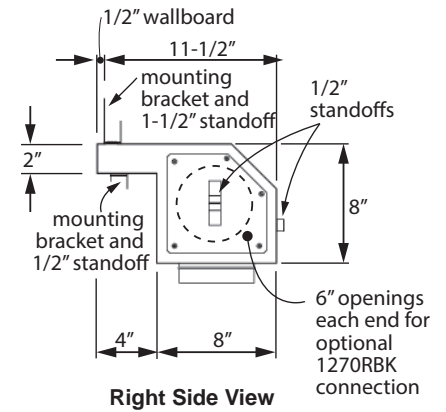
LDK 1



Top View

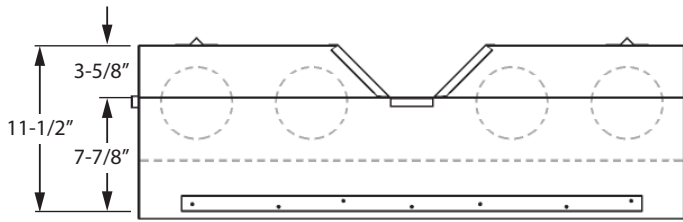


Front View

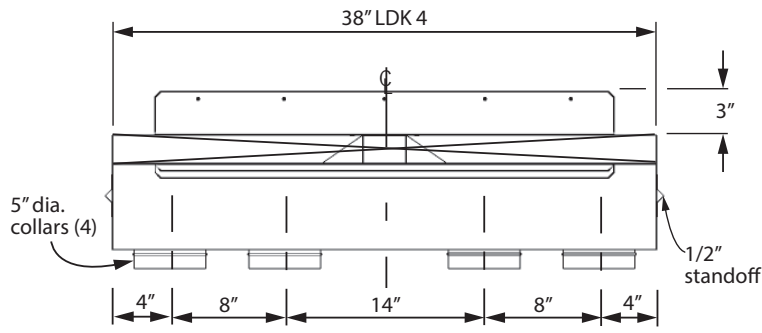


Right Side View

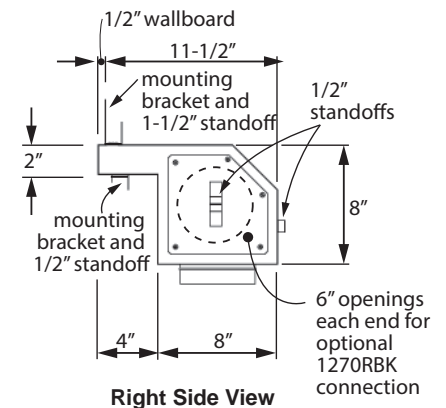
LDK 4



Top View



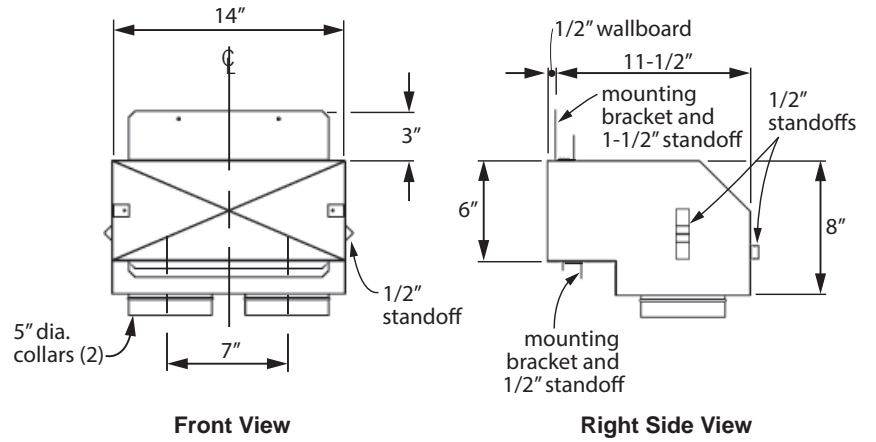
Front View



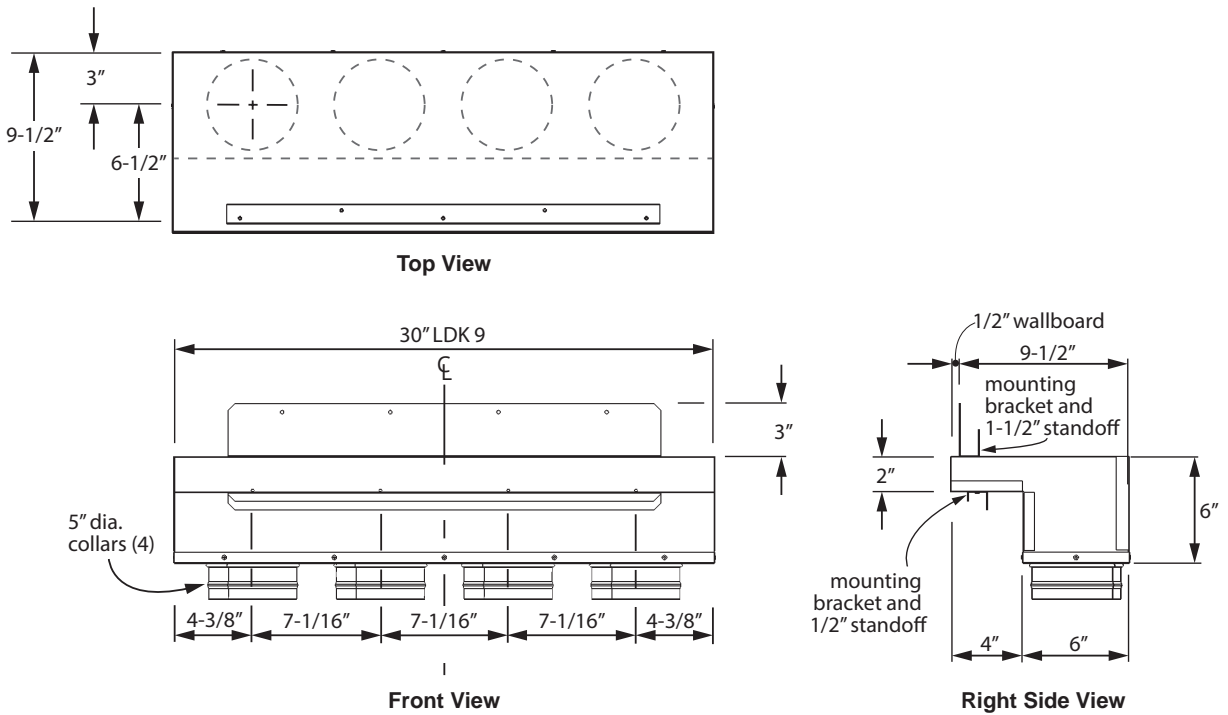
Right Side View

Appendix D—HeatShift™ System

LDK 3

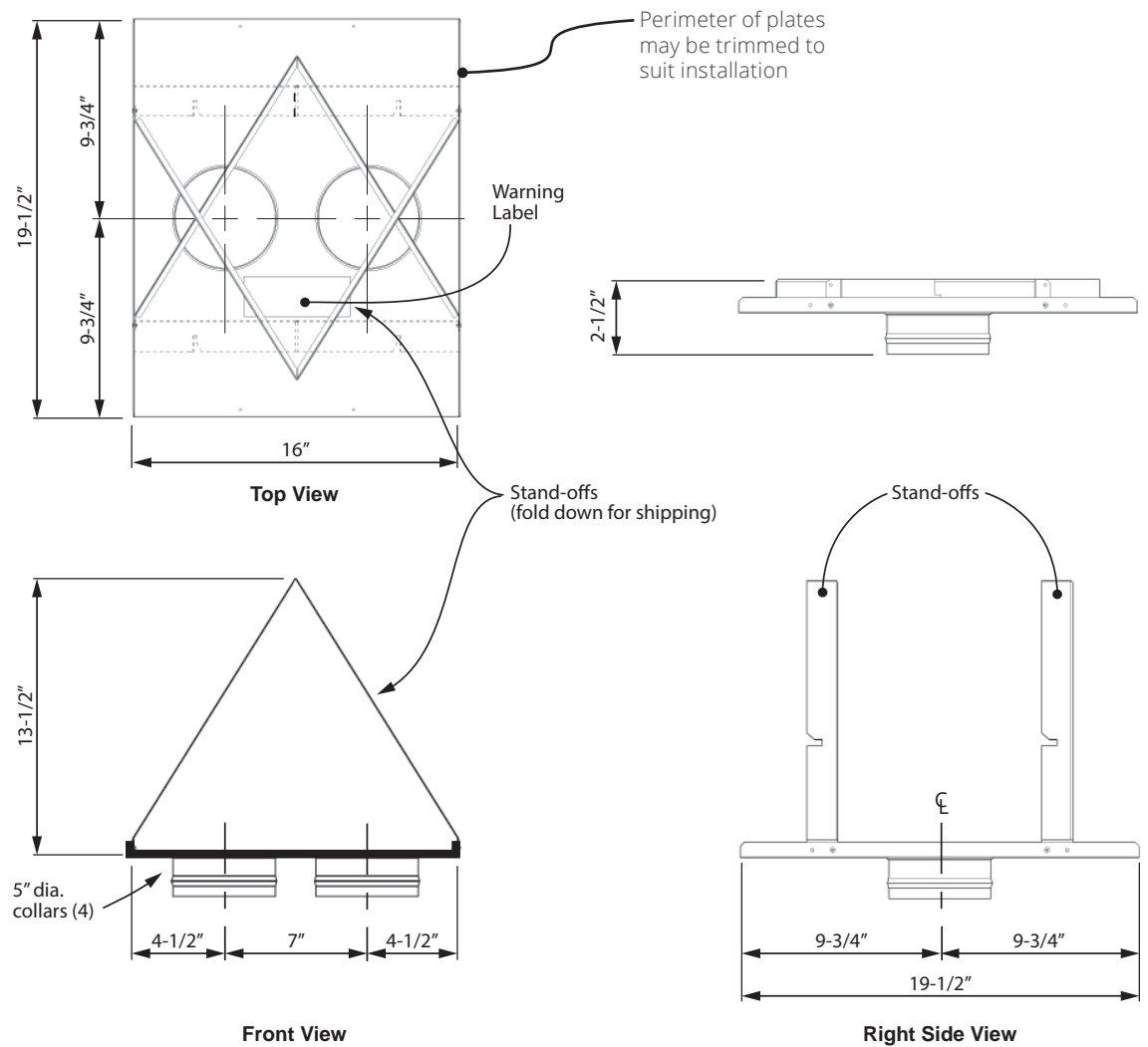


LDK 9



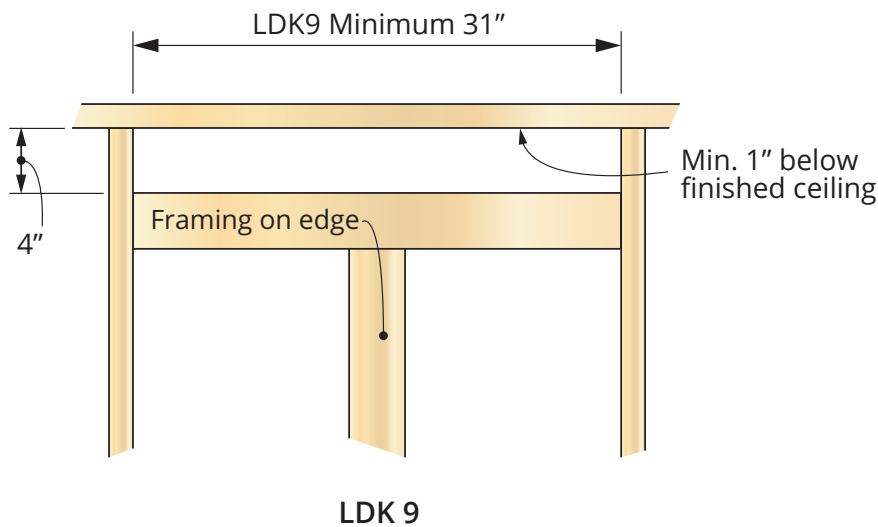
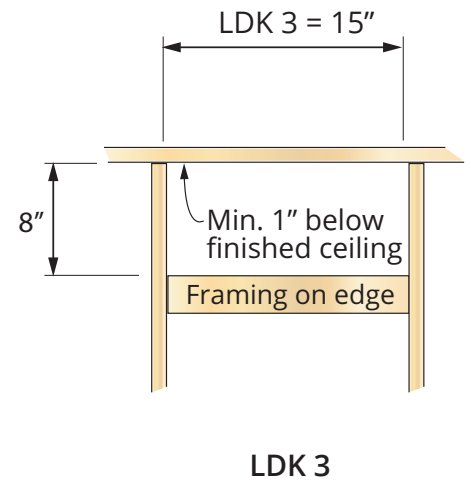
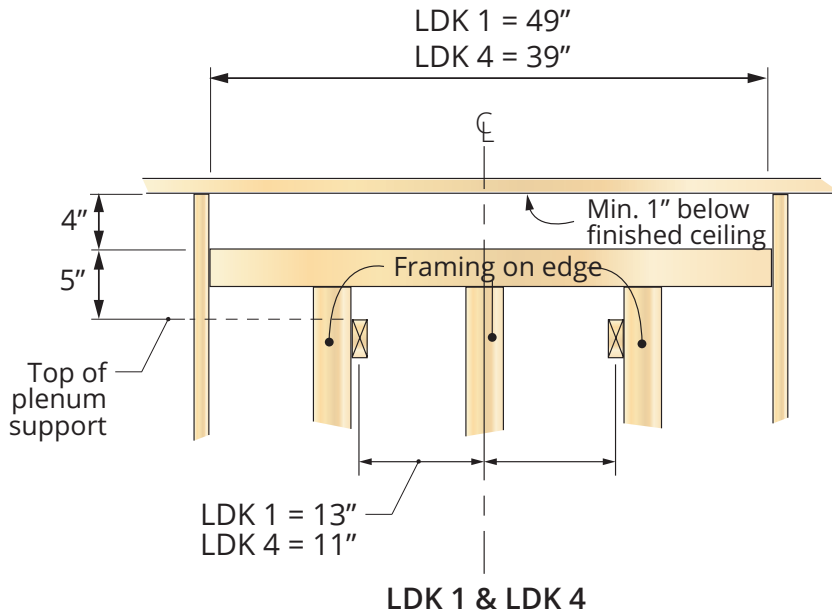
Appendix D—HeatShift™ System

LDK7 Plates Dimensions



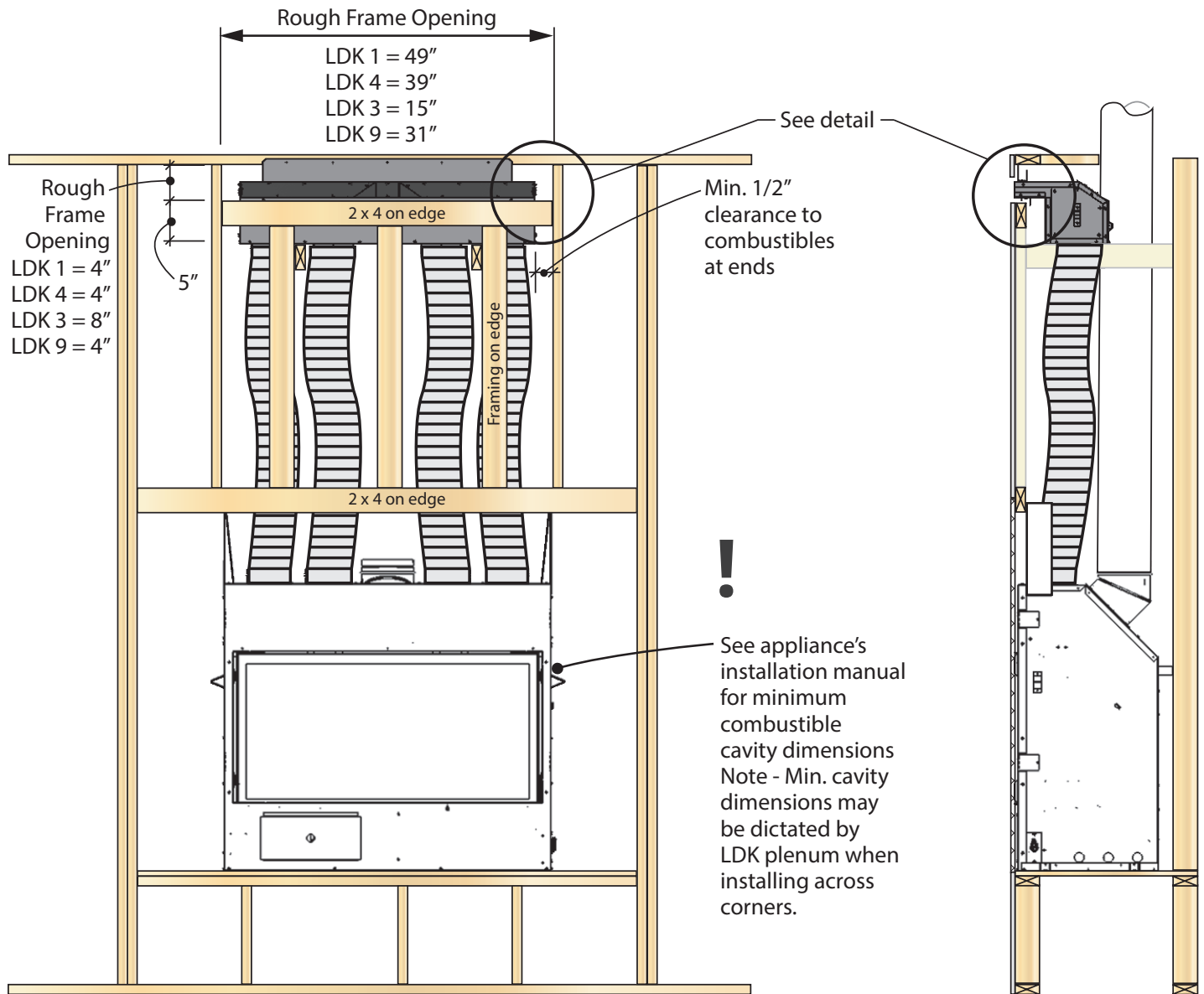
Appendix D—HeatShift™ System

Rough Frame Openings



Appendix D—HeatShift™ System

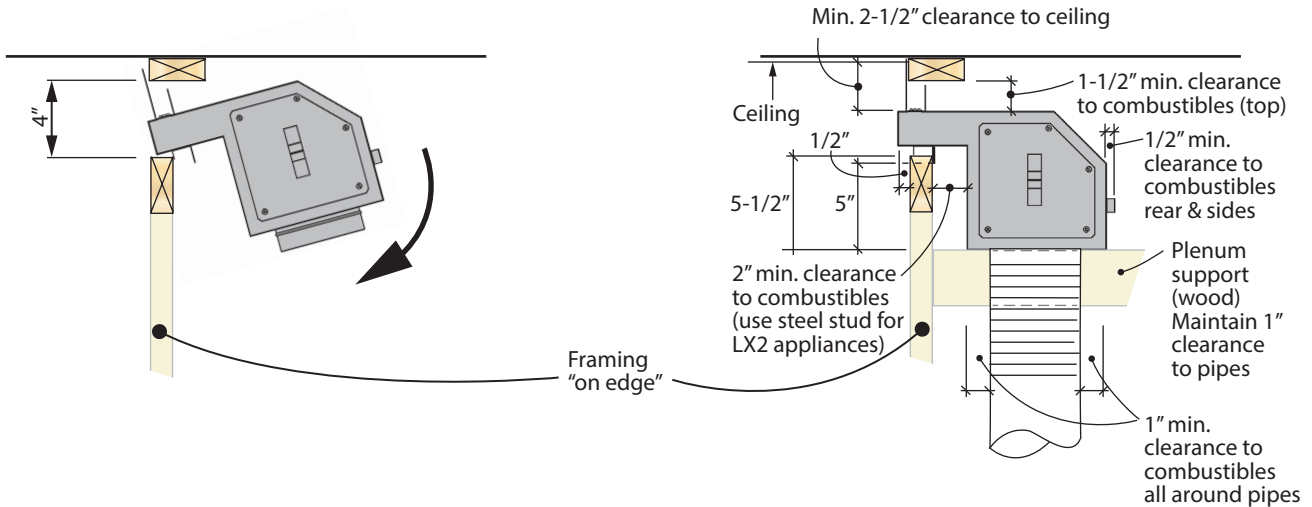
Framing and Clearances—Plenums, front view



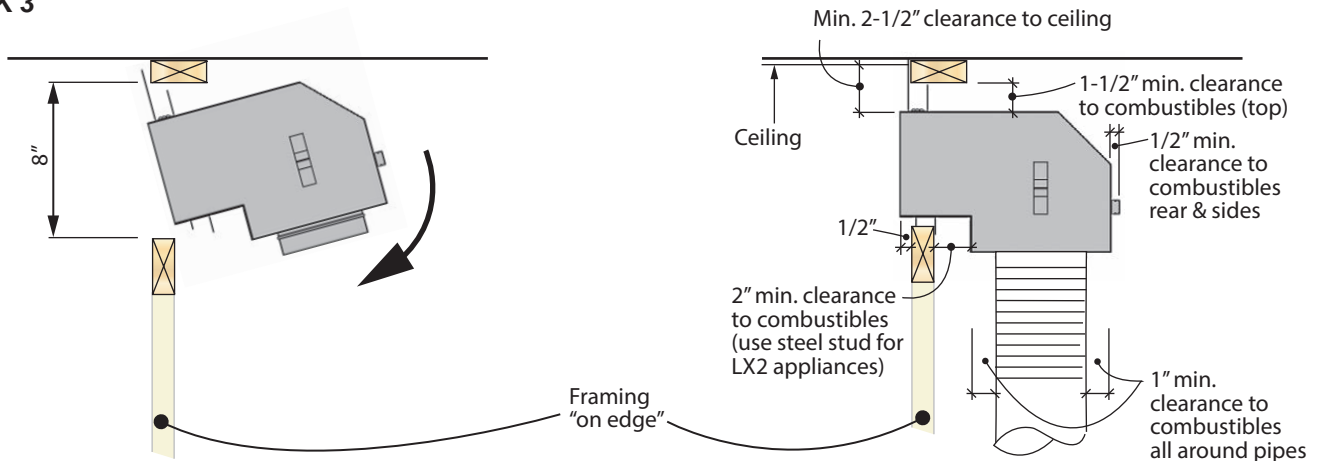
Appendix D—HeatShift™ System

Framing and Clearances—Plenums, side view

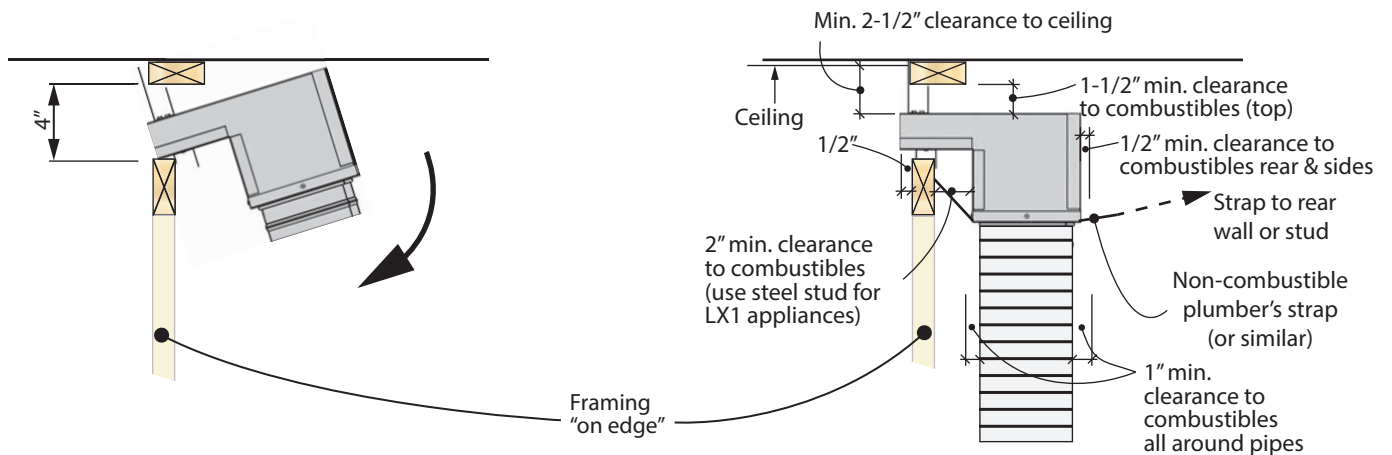
LDK 1 & 4



LDK 3

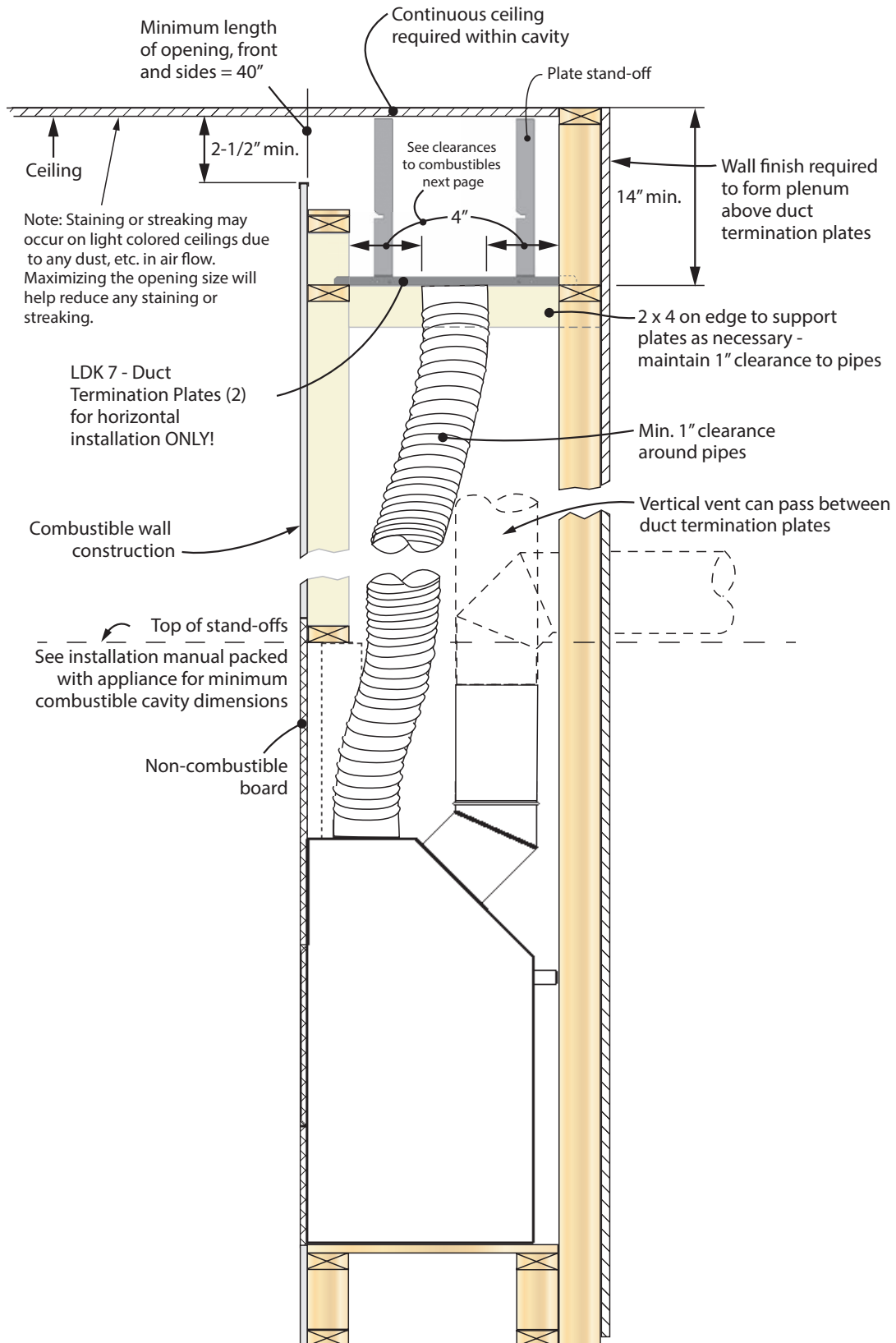


LDK9



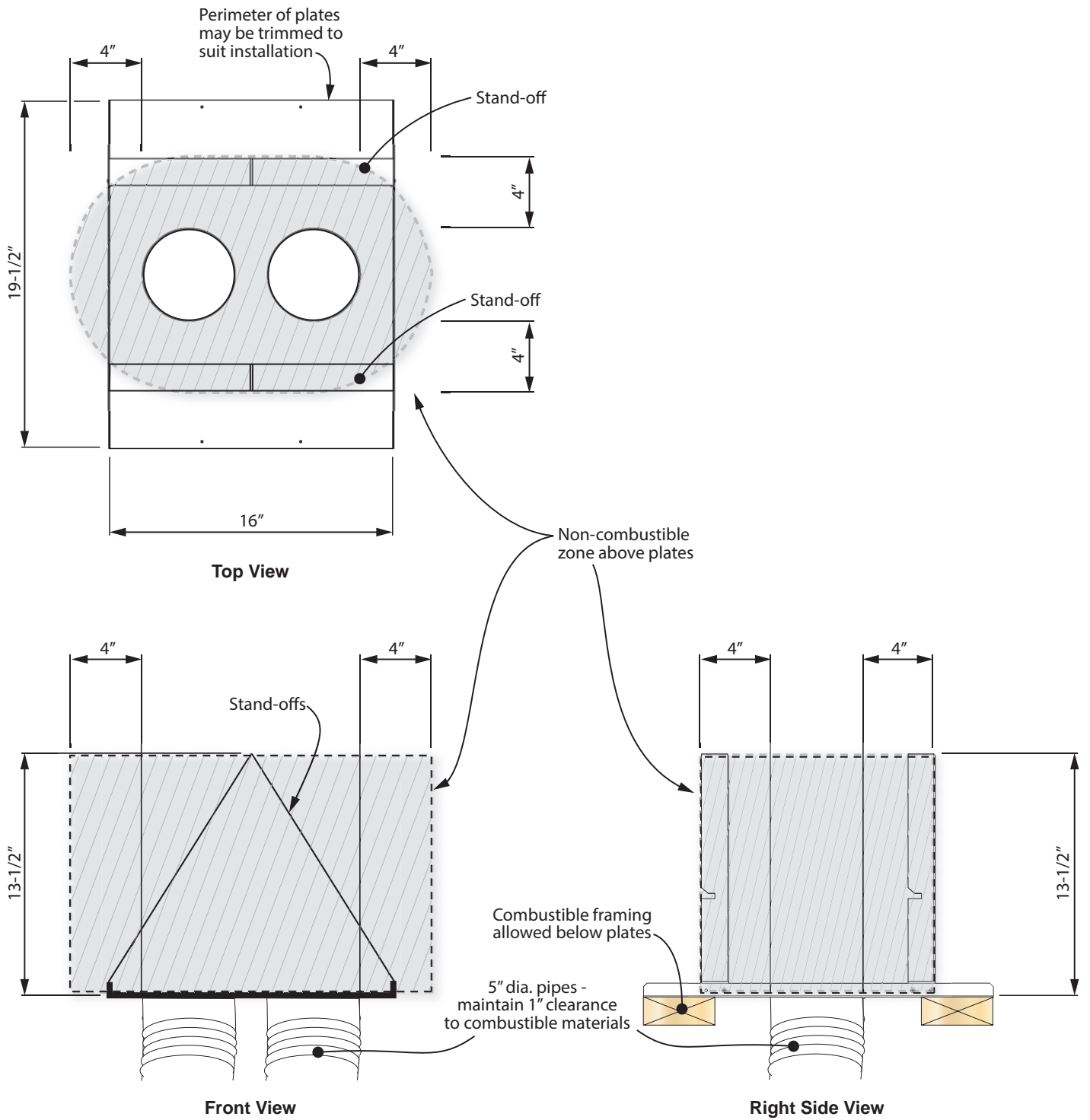
Appendix D—HeatShift™ System

Wall Valance Discharge Opening using LDK7—Duct Termination Plates



Appendix D—HeatShift™ System

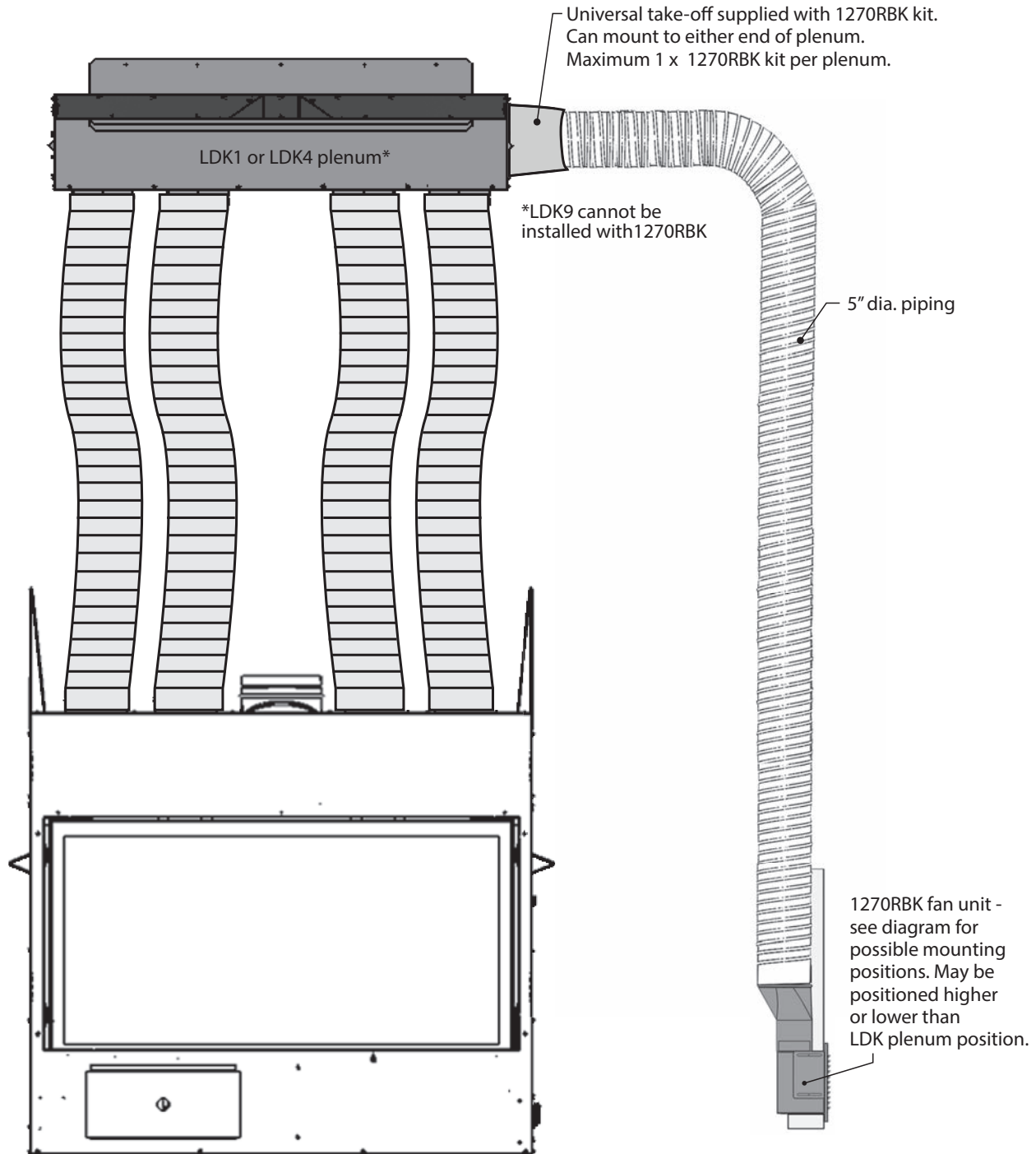
LDK7 Clearances to Combustibles



Appendix D—HeatShift™ System

LDK Duct Kit LDK 1, LDK 4 with optional 1270RBK Remote Blower Kit

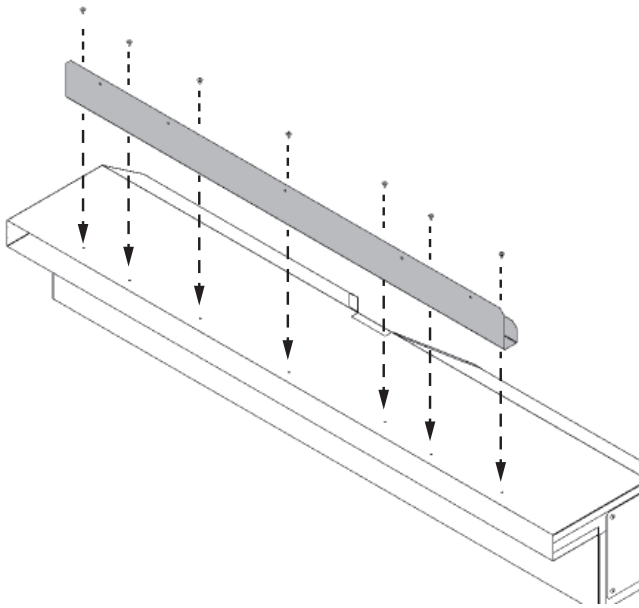
(not approved with outdoor installations)



Appendix D—HeatShift™ System

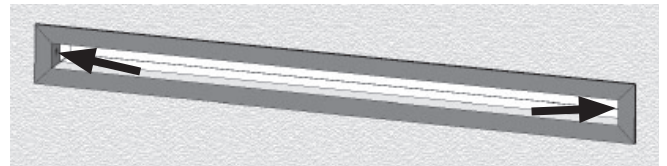
Install Plenum Kits (LDK1, LDK3, LDK4 & LDK9) —see next page for LDK7 Duct Termination Plates

1. Frame a rough opening at the desired location—see earlier sections of this manual for allowable plenum positions and rough frame opening sizes.
2. Install top mounting bracket(s) to the plenum using screws provided (use the short sheet metal screws provided otherwise the screw tails (ends) will interfere with the finishing frame when installed).

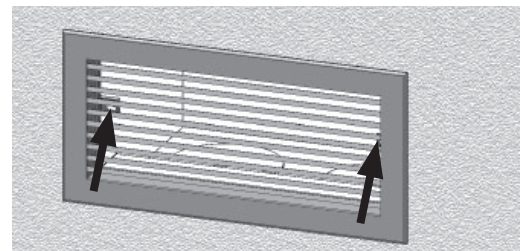


3. Install the plenum(s) into the rough frame opening maintaining minimum clearances to combustibles as listed—see Rough Frame Openings. Fix the plenum to the framing using nails or screws through the top mounting bracket. **Note that the mounting brackets are not intended to carry the weight of the plenum and pipes. Provide support to the underside of the plenum and ensure the plenum is level and its outlet is not distorted—see Framing and Clearances.** Use metal strapping (all-round, not supplied) as required to further secure the plenum to framing.
4. Attach one section of UL-181, Class 1 approved air duct to each of the collars and secure it with gear clamps provided. **DO NOT SPLICE DUCTS!**
5. Attach the top of the pipe sections to the plenum securing them with the gear clamps provided. An upward slope must be maintained in horizontal sections of pipes for proper convection. Use straps as necessary to maintain the pipes positions. Support horizontal sections every 24 inches.

6. Paint the inside surfaces of the plenum using high-temperature flat black spray paint for installations where the inside of the plenums may be visible. **Note:** The flanges of the white finishing frame (when used) will insert approximately 1-1/4" into the plenum covering the shiny sheet metal.
7. Install the finishing frame or louver to the plenum after the wall finish is completed:
LDK1, LDK4, LDK9: Use the LDK2, LDK5 or LDK10 depending of the length of the plenum.



LDK3: Use the grilles provided with the kit.



Note: The frame/louvers are finished white but may be painted another color if desired; use high temperature paint (250°F). You may also finish up to the perimeter of the plenum opening with your material of choice and not use the frame or louver. Do not finish over any of the opening in the plenum outlet.

8. Continue with the fireplace installation.

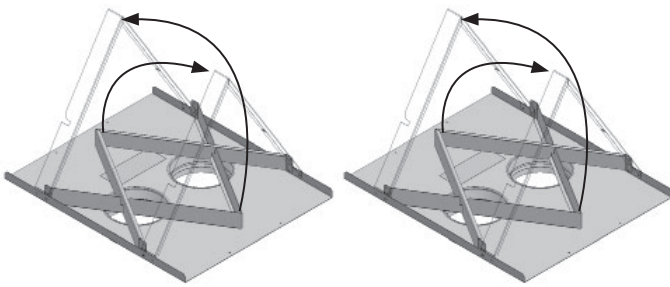
Appendix D—HeatShift™ System

Install Duct Termination Plates (LDK7)

—see previous page for LDK1, LDK3, LDK4 & LDK9 Plenum kits

1. Frame a rough opening and platform at the desired location—see earlier sections of this manual for allowable duct termination plates positions and rough frame opening sizes.
2. On each duct termination plate, rotate both stand-offs to the vertical position and secure in place using screws provided.

2 stand-offs per plate



3. Install the termination plates into the framing ensuring collars/pipes on underside of plates maintain 1 inch clearance to combustibles and clearance to combustible above the plates are maintained as listed in Wall Valence Discharge Opening. The termination plates perimeter may be trimmed as necessary to accommodate framing. Secure the termination plate to framing using screws or nails to avoid movement.
4. Attach one section of UL-181, Class 1 approved air duct to each of the collars and secure it with gear clamps provided. **DO NOT SPLICE DUCTS!**
5. Attach the top of the pipe sections to the duct termination plates securing them with the gear clamps provided. An upward slope must be maintained in horizontal sections of pipes for proper convection. Use straps as necessary to maintain the pipes positions. Support horizontal sections every 24 inches.
6. Continue with the fireplace installation.

Repair Parts List

| | Description | Part no. |
|--------------|---|----------|
| LDK1 | 48" Quad Hot Air Plenum Kit | |
| | 48" x 2" quad plenum | 4005476 |
| | 5" take-off collars (4) | 4005478 |
| | Top mounting bracket/standoffs | 4007211 |
| | #8 slotted drive screws 1/4" (7) | 798601 |
| LDK2 | 48" Outlet Frame Kit for LDK1 | |
| | Aux Frame-SPL 48" x 2" white | 4005612 |
| LDK3 | 14" Double Hot Air Plenums Kit | |
| | 14" x 6" double plenums (2) | 4005464 |
| | 5" take-off collars (4) | 4005478 |
| | DABL-00-C-SPL 14" x 6" Grilles white (2) | 4005614 |
| | Top mounting bracket/standoffs (2) | 4005566 |
| | #8 slotted drive screws 1/4" (6) | 798601 |
| LDK4 | 38" Quad Hot Air Plenum Kit | |
| | 38" x 2" quad plenum | 4005477 |
| | 5" take-off collars (4) | 4005478 |
| | Top mounting bracket/standoffs | 4007213 |
| LDK5 | 38" Outlet Frame Kit for LDK4 | |
| | Aux Frame-SPL 38" x 2" white | 4005613 |
| LDK6 | 5" Aluminum 2-ply Flex Kit | |
| | 5" dia 10' (uncompressed) aluminum chimney liners (2) | 4005635 |
| | 4.5" - 6.5" ss gear clamps (8) | 4005642 |
| LDK7 | Duct Termination Plates | |
| | Plate and collar assembly (2) | 4006747 |
| | 5" take-off collars (4) | 4005478 |
| | Screws 8 x 3/8 tap PN HD PH (12) | 100A757 |
| LDK9 | 30" Quad Hot Air Plenum Kit | |
| | 30" x 2" quad plenum | 4007903 |
| | 5" take-off collars (4) | 4005478 |
| | Top mounting bracket/standoff | 4007601 |
| | #8 slotted drive screws 1/4" (5) | 798601 |
| LDK10 | 30" Outlet Frame Kit for LDK9 | |
| | Aux Frame-SPL 30" x 2" white | 4007951 |

Each LDK kit is sold separately.

Appendix E—Spare Parts

| | Description | Part Number |
|----|---------------------------------------|-------------|
| 1 | 45 degree flanged elbow | 4000945V |
| 2 | Elbow gasket | 4002999 |
| 3 | Top stand-offs (2) | 4005408 |
| 4 | Restrictor plates (2) | 4009364 |
| 5 | Liner panels anchors (2) | 4001283 |
| 6 | Window latch assembly (4) | 4010800 |
| 8 | Top panel support | 4002963 |
| 9 | Power receptacle | 4006368 |
| 10 | Strain relief | 4006548 |
| 11 | Electrical box cover - inner | 4007971 |
| 12 | Electrical box access plate - outer | 4007973 |
| 13 | Window assembly | 4008193 |
| 14 | Hot glass warning plate | 4003093 |
| 15 | Black steel platform | 4004885AH |
| 16 | Burner | 4007084AH |
| 17 | Platform supports (2) | 4002908 |
| 18 | Burner end location bracket | 4002903 |
| 19 | Burner module assembly (natural gas) | 4008702 |
| | Burner module assembly (propane gas) | 4008703 |
| 20 | Pilot shield | 4003018AH |
| 21 | Pilot complete assembly (natural gas) | 4008484 |
| | Pilot complete assembly (propane gas) | 4008485 |
| 22 | Thermocouple assembly | 4008490 |
| 23 | Pilot injector BL22 (natural gas) | 4008493 |
| 24 | Pilot injector BL14 (propane gas) | 4008494 |
| 25 | Pilot tube | 4008486 |
| 26 | Pilot gasket | 4000715 |
| 27 | Pilot stand | 4006907 |
| 28 | Burner mount | 4007223 |
| 30 | Air shutter stopper | 4008005 |
| 31 | Orifice/aeration block | 4007702 |
| 32 | Gas orifice #32 (natural gas) | 4007000-32 |
| | Gas orifice #50 (propane gas) | 4007000-50 |
| 33 | Brass socket head pipe plug | 4008003 |
| 34 | Block/pipe connector | 4006689 |
| 35 | Air shutter | 4007748 |
| 36 | Aeration lever | 4007225 |
| 37 | Burner module plate | 4006916 |
| 38 | Gaskets module plate, long (2) | 3000400 |

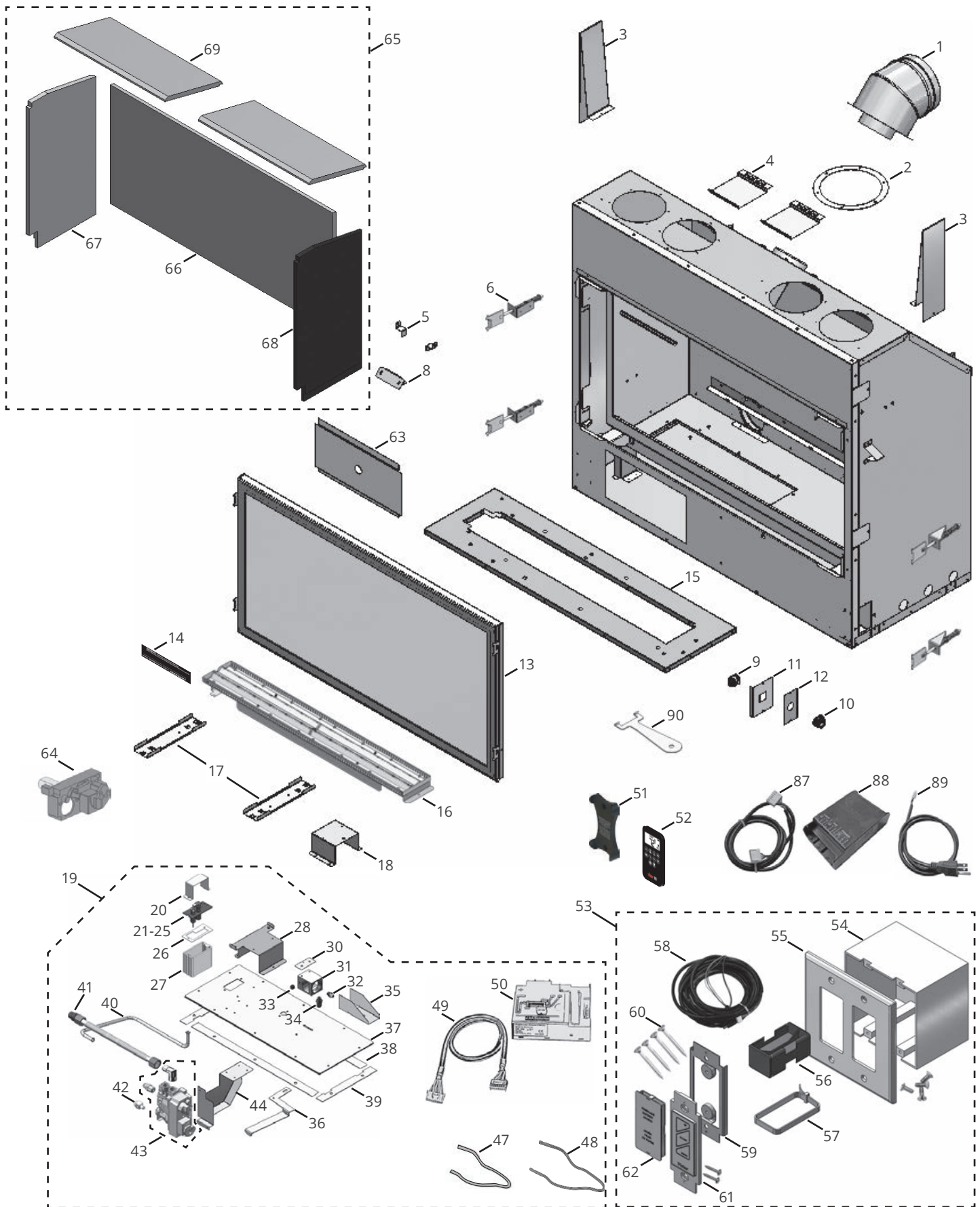
| | Description | Part Number |
|----|--------------------------------------|-------------|
| 39 | Gaskets module plate, short (2) | 3000399 |
| 40 | Valve to elbow pipe assembly | 4006923 |
| 41 | Pipe s/s flex | 4000345 |
| 42 | Thermocouple interrupter | 4001037 |
| 43 | GV60 valve assembly (natural gas) | 4008700 |
| | GV60 valve assembly (propane gas) | 4008701 |
| 44 | Valve mount | 4002905 |
| 45 | Yellow cable to interrupter | 4002096 |
| 46 | Red cable to interrupter | 4001035 |
| 49 | Wire harness GV60 | 4001187 |
| 50 | Receiver (Valor 10 two way) | 4005597 |
| 51 | Handset wall holder | 4004459 |
| 52 | Valor 10 Handset | 4007548 |
| 53 | Remote battery & Wall switch kit | RBWSK |
| 54 | Junction box | 4005527 |
| 55 | Cover plate & 4 screws | 4005526 |
| 56 | Battery holder | 4006553 |
| 57 | Cable tie | 4005524 |
| 58 | Harness assembly | 4005523 |
| 59 | Plate with magnets | 4005391 |
| 60 | Long screws (2) | 4001444 |
| 61 | Wall switch with 2 screws | 4005522 |
| 62 | Battery cover assembly | 4005390 |
| 63 | Access hatch | 4008599 |
| 64 | GV60 Valve Repair Kit (not included) | 4004544 |
| 65 | Liner panels - complete set | |
| | Fluted Black Liners | 2515FBL |
| | Reflective Glass Liners | 2525RGL |
| | Plain Black Liners | 2560PBL |
| 66 | Rear panel | |
| | Fluted Black | 4008757 |
| | Reflective Glass (3) | 4008479 |
| | Plain Black | 4008342 |
| 67 | LH side panel | |
| | Fluted Black | 4008345 |
| | Reflective Glass | 4008477 |
| | Plain Black | 4008345 |

Appendix E—Spare Parts

| | Description | Part Number |
|----|----------------------------|-------------|
| 68 | RH side panel` | |
| | Fluted Black | 4008344 |
| | Reflective Glass | 4008478 |
| | Plain Black | 4008344 |
| 69 | Top panel | |
| | Fluted Black (2) | 4008343 |
| | Reflective Glass (2) | |
| | Plain Black (2) | |
| 70 | Birch Log Kit | 1505BLKV2 |
| | Log L1 | 4007371 |
| | Log L2 | 4007372 |
| | Log L4 | 4007374 |
| | Log L6 | 4007376 |
| | Log L12 | 4007382 |
| | Log L30 | 4008758 |
| | Log L31 | 4008759 |
| | Log L32 | 4008760 |
| 71 | Mixed grey embers (bagged) | 4007782 |
| 72 | Drift Wood Kit | 1505DWKV2 |
| | Log L16 | 4007986 |
| | Log L18 | 4007988 |
| | Log L33 | 4008737 |
| | Log L34 | 4008738 |
| | Log L35 | 4008739 |
| | Log L36 | 4008740 |
| 73 | Brown beach pebble | 4003082 |
| 74 | Grey beach pebble | 4003083 |
| 75 | Beige beach pebble | 4003087 |
| 76 | White beach pebble | 4003084 |
| 77 | Black beach pebble | 4003085 |
| 78 | Small grey beach pebble | 4003086 |
| 79 | Vermiculite (bagged) | 4002940 |

| | Description | Part Number |
|-----|--|-------------|
| 80 | Split Wood Kit | 1505SWKV2 |
| | Log 20 | 4008743 |
| | Log 21 | 4008744 |
| | Log 22 | 4008745 |
| | Log 23 | 4008746 |
| | Log 24 | 4008747 |
| | Log 25 | 4008748 |
| | Log 26 | 4008749 |
| | Log 27 | 4008750 |
| | Log 28 | 4008751 |
| 81 | Mixed grey embers (bagged) | 4007782 |
| 82 | Light wiring harness (replacement, not included) | 4009263 |
| 83 | G6.35 35W halogen bulbs (2) | 4009220 |
| 84 | HeatShift liner kit | LDK6 |
| 85 | 5" x 10' aluminum chimney liner (2) | 4005635 |
| 86 | 4.5"-6.5" stainless steel gear clamp (8) | 4005642 |
| 87 | Cable, V-module to receiver 1000 mm | 4002531 |
| 88 | V-Module - Relay box | 4002530 |
| 89 | Power cord assembly | 4006350 |
| 90 | Window latch hook pull | 4009219 |
| 91 | Murano decorative glass kit | 1500DGM |
| 92 | Glass panel | 4002869 |
| 93 | Bag - 1/2" clear fireglass | 4004521 |
| 94 | Rock and Shale kit | 1514RSS |
| 95 | LH Twig short | 4001827S |
| 96 | RH Twig | 4001828 |
| 97 | LH Twig | 4001827 |
| 98 | Bag - 3/4" Grey/black shale (1 lb) | 4004792 |
| 99 | Grey rock (6) | 4002338 |
| 100 | Dark grey rock (4) | 4002339 |
| 101 | Grey rock (4) | 4002340 |
| 102 | Dark grey rock (6) | 4002341 |
| 103 | Grey matte pitted rock (1) | 4002650 |
| 104 | Grey matte rock (2) | 4002652 |
| 105 | Grey matte rock (2) | 4002654 |
| 106 | Grey gloss rock (1) | 4002657 |
| 107 | Warm grey gloss pitted rock (2) | 4002659 |
| 108 | Grey glass pitted rock (1) | 4002660 |

Appendix E—Spare Parts



Appendix E—Spare Parts

