



F2500 shown with cast iron door and legs in black.

STANDARD FEATURES

- Large fire viewing area, with heat radiating ceramic glass
- Wood-finished handle
- Heavy-duty cast hinges that will never bend or break
- Solid forged steel adjustable cam lock ensures a tight door seal over time
- Front-mounted air adjustment & catalytic bypass
- Air & bypass safe operation tool
- Easy-to-read catalytic thermometer helps your stove reach maximum burn times & efficiency
- High-performance brick-lined firebox reflects heat
- Non-obtrusive air wash curtain keeps glass clean
- Welded ash lip will never bend or break
- Rear heat deflector allowing for closer clearances
- Mobile home (Approved in USA only) and alcove approved
- 10-year, 100% coverage on the original catalyist

OPTIONS

- Cast iron door in black or nickel accent
- Pedestal base
- Bottom heat shield with cast iron legs in black or brushed nickel
- Ash drawer
- 2-speed blower
- Convector airmate
- Outside air kit

SPECIFICATIONS

Maximum BTU*	83,000
Typical sq. ft. heated**	1,000 - 2,200
EPA Efficiency	85% LHV / 78% HHV
Max log size	18"
Burn time	Up to 12 hours
Emissions	1.4 g/h
Firebox size	2.3 cu. ft.
Flue size	6"

* Length of burn time and BTU range depend on type of wood, moisture content, climate conditions and installation.

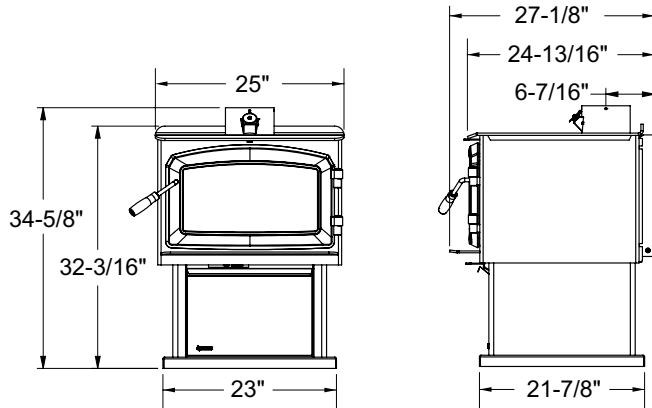
** Varies depending on home floor plan, house layout, heat loss of the house and quality/moisture content of wood.



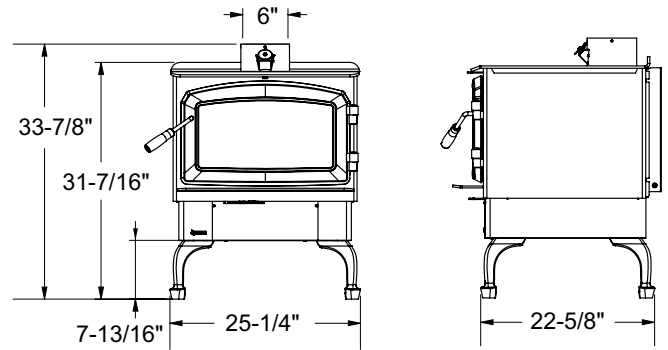
INCLUDES 10-YEAR
100% ORIGINAL
COMBUSTOR COVERAGE

DIMENSIONS

With Pedestal



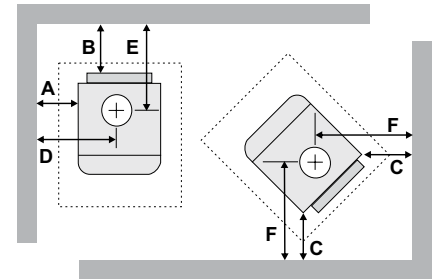
With Bottom Heat Shield & Cast Legs



MINIMUM CLEARANCE TO COMBUSTIBLE MATERIALS

RESIDENTIAL INSTALLATION "C" VENT (SINGLE WALL)

Unit F2500-1	From Unit		From Corner		From Flue Center-Line	
	A	B	C	D	E	F
with Airmate	15.5"	8.5"	6.75"	28"	15"	19"
with Rear Deflector	15.5"	10.5"	6.75"	28"	17"	19"



RESIDENTIAL CLOSE CLEARANCE (TO BE INSTALLED WITH REQUIRED PIPE COMPONENTS)

When the stove is installed as a close clearance residential unit, a listed double wall connector is required from the stove collar to the ceiling level.

Unit F2500-1	From Unit		From Corner		From Flue Center-Line	
	A	B	C	D	E	F
with Airmate	14.5"	7"	4.75"	27"	13.5"	17"
with Rear Deflector	14.5"	9"	4.75"	27"	15.5"	17"

MOBILE HOME CLOSE CLEARANCE (TO BE INSTALLED WITH REQUIRED PIPE COMPONENTS)

"C" Vent single wall pipe is not approved for Mobile Home installations. (Refer to Mobile Home Instructions.)

Unit F2500-1	From Unit		From Corner		From Flue Center-Line	
	A	B	C	D	E	F
with Airmate	14.5"	7"	4.75"	27"	13.5"	17"
with Rear Deflector	14.5"	9"	4.75"	27"	15.5"	17"

All product specifications are subject to change without notice.
Before installing refer to the relevant product manual for full and up to date information.