



GRANDVIEW G800 GAS FIREPLACE SERIES

NEW
G800EH
Model

G800EH High Heat model shown with birch log set and black inner panels

regency-fire.com/grandview



NEW G800EH High Heat model shown with driftwood log package



G800EC - Iceberg crushed glass, volcanic stones and brushed nickel faceplate



G800EC - Iceberg crushed glass, black steel panels and black faceplate



G800EC - Split oak logs set, black steel panels and antique copper faceplate

G800 GAS FIREPLACES

Designed using customer feedback, the Regency Grandview gas fireplaces are **our most flexible series yet!** The Grandview series offers stunning flame pictures and full customization, allowing homeowners to pick and choose the accessories and elements that best suit their style – with over 960 combinations, there is a Grandview for every home and every style. Choose from traditional installation or utilize Regency’s patented Cool Wall System to provide ultimate design flexibility.

The Regency Cool Wall system allows the use of virtually any material to the edge of the fireplace or the placement of TVs or artwork directly above the fire; without any limitations.

FEATURES			
OPTIONS	G800EH NEW	G800EC	G800C
Ignition System	Proflame II	Proflame II	Standing Pilot
Remote Control	GTMF	GTMF	Optional On/Off
Lights	Top Accent & Bottom Ember Lights	Top Accent & Bottom Ember Lights	N/A
Fan	Optional	Optional	Optional
Fan Control	Remote	Remote	Manual
Flame Modulation	Remote	Remote	Manual
Venting	Top only	Top & Rear	Top & Rear

SPECIFICATIONS			
OPTIONS	G800EH NEW	G800EC	G800C
Glass Viewing Area	762 sq. in.	762 sq. in.	762 sq. in.
Max. BTUs	36,000	27,000	27,000
Turn Down	50%	50%	50%
Efficiency (Steady State)	65.20%	65.20%	65.20%
Energuide Rating (Canada Only)	58.79%	58.22%	54.17%

YOUR FIREPLACE, YOUR WAY

Different Combinations Available

Choose your heating needs, choose your accessories, and create a one-of-a-kind fireplace. The Regency Grandview G800 is the first of our Grandview series of gas fireplaces that are designed to maximize choice and customization.



NEW G800EH – 36,000 BTUs
Electronic Ignition



G800EC – 27,000 BTUs
Electronic Ignition



G800C – 27,000 BTUs
Standing Pilot

CHOOSE YOUR LOOK



○ INTERIOR PANEL

○ INTERIOR OPTION

○ FRONT OPTION

MULTIPLE INTERIOR PANELS



*Rustic Brown
Brick Panels*



*Herringbone - Rustic
Brown Brick Panels*



*Volcanic Black
Brick Panels*



Castlestone



*Painted Black
Steel Panels*



*Black Enamel
Reflective Panels*

MULTIPLE INTERIOR OPTIONS



Birch Log Set



Oak Log Set



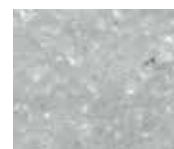
Driftwood Log Set



*Crushed Glass
- Ginger*



*Crushed Glass
- Coal Black*



*Crushed Glass
- Iceberg*



Volcanic Stones

MULTIPLE FRONT OPTIONS



*Clean Front
Finishing Trim*



*Outside
Finishing Trim*



Faceplate

FACEPLATE AVAILABLE IN THREE COLORS:



Black



Brushed Nickel

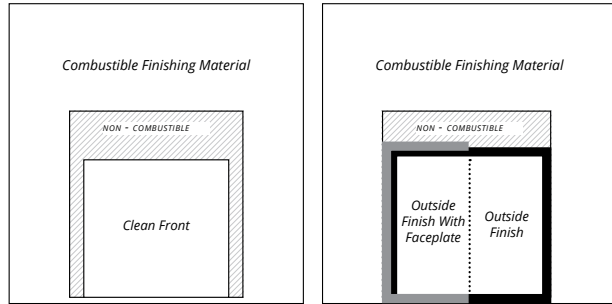


Antique Copper

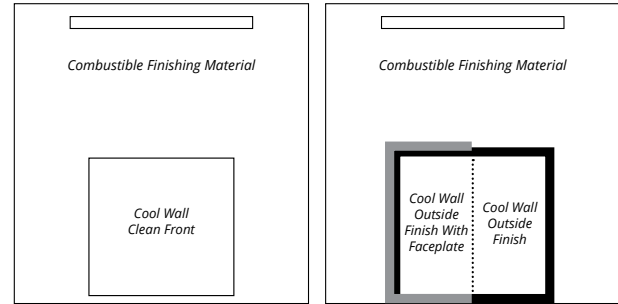
SPECIFICATIONS

INSTALLATION OPTIONS - G800EH, G800EC, G800C

Non-Combustible Finishing Install



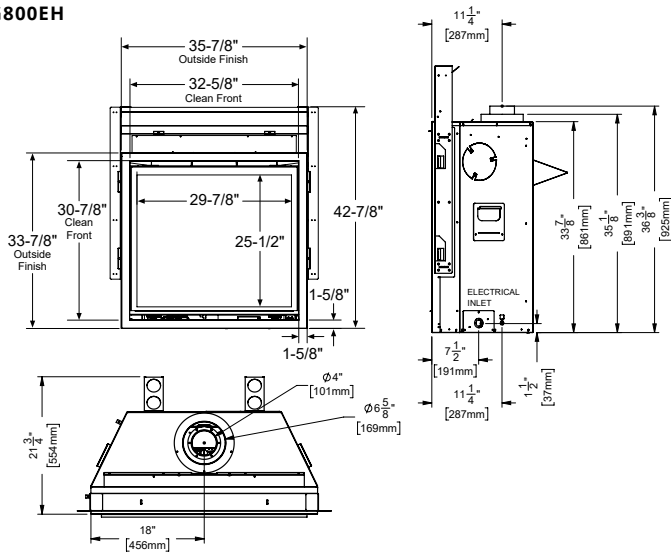
Combustible Finishing Install with Cool Wall



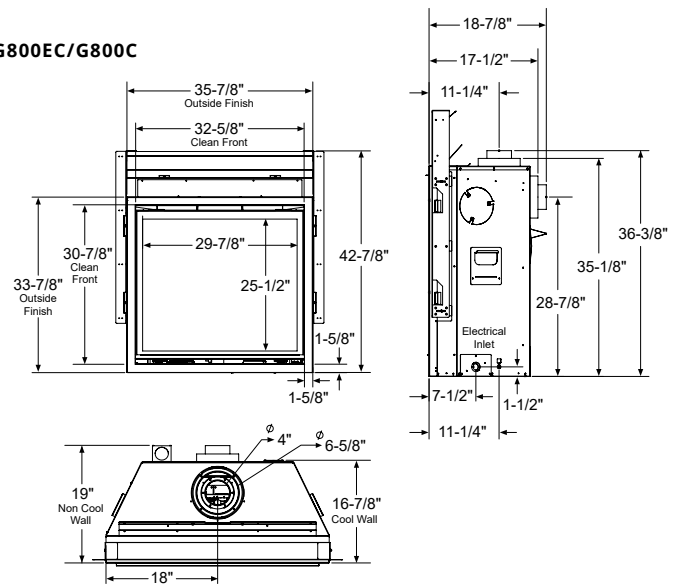
OPTIONS	G800EH NEW	G800EC	G800C
Cool Wall Option	Optional	Optional	Optional
Min. Cool Wall Opening	107 sq. in.	66 sq. in.	66 sq. in.
Min. Enclosure Ceiling	84" Cool Wall or non-Cool Wall	80" Cool Wall or 62" non-Cool Wall	80" Cool Wall or 62" non-Cool Wall

DIMENSIONS

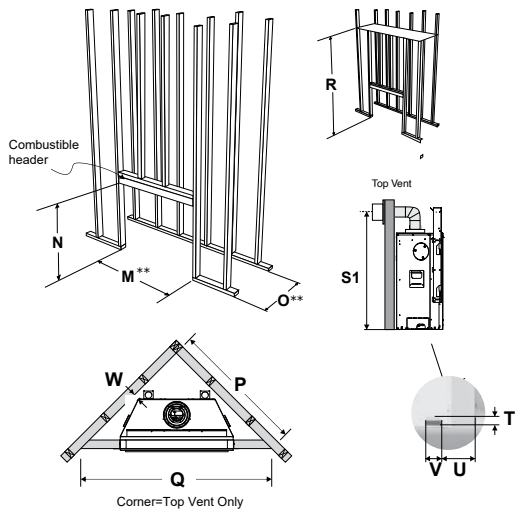
G800EH



G800EC/G800C



FRAMING - G800EH (For G800EC & G800C refer to instruction manual)



FRAMING	COOL WALL	CLEAN FRONT	OUTSIDE FINISH
M Framing Width	36-1/2"	37-1/2"	36-1/2"
N* Framing Height	43"	52"	52"
O Framing Depth	22"	22"	22"
P Corner Facing Wall Width	42-1/2"	46-1/2"	46-1/2"
Q Corner Facing Wall Width	60"	65-3/4"	65-3/4"
R Framed Chase Ceiling Enclosure	82"	84"	84"
S1 Vent Centerline Height - Top	44"	44"	44"
T Gas Connection Height	1-1/2"	1-1/2"	1-1/2"
U Gas Connection Inset	6-3/8"	6-3/8"	6-3/8"
V Gas Connection Width	3"	3"	3"
W Clearance to Corner of Unit	2-3/4"	2-3/4"	2-3/4"
Non-combustible Material Required Above Appliance	--	11-1/2"	10"

* Important: Framing height requires consideration of the hearth depth. Dimension N = N + the thickness of the installed hearth.

**The framing depth/width does not take into account dry wall/wood or similar materials against the back /side wall. The framing depth will need to change based on the thickness of the material.