

Installation Manual



H5

Direct Vent Zero Clearance
Gas Fireplace
natural gas 1100MN
propane gas 1100MP

Installer: Place model/serial number here.

Installer: Leave this manual with the appliance.
Consumer: Retain this manual for future reference.

⚠ WARNING:
FIRE OR EXPLOSION HAZARD

Failure to follow safety warnings exactly could result in serious injury, death, or property damage.

Do not store or use gasoline or other flammable vapors and liquids in the vicinity of this or any other appliance.

WHAT TO DO IF YOU SMELL GAS

- Do not try to light any appliance.

- Do not touch any electrical switch; do not use any phone in your building.
- Leave the building immediately.
- Immediately call your gas supplier from a neighbor's phone. Follow the gas supplier's instructions.
- If you cannot reach your gas supplier, call the fire department.

Installation and service must be performed by a qualified installer, service agency or the gas supplier.

⚠ DANGER



Hot glass will cause burns.

Do not touch glass until cooled.

Never allow children to touch glass.

A barrier designed to reduce the risk of burns from the hot viewing glass is provided with this appliance and must be installed for the protection of children and other at-risk individuals.

This appliance may be installed in an after-market permanently located, manufactured (mobile) home where not prohibited by local codes. This appliance is only for use with the type of gas indicated on the rating plate. This appliance is not convertible for use with other gases, unless a certified kit is used.

INSTALLER: Leave this manual with the appliance.
CONSUMER: Retain this manual for future reference.

Massachusetts:

The piping and final gas connection must be performed by a licensed plumber or gas fitter in the State of Massachusetts. Also, see Carbon Monoxide Detector requirements in this manual, page 73.

⚠ WARNING

This product can expose you to chemicals including Benzene, which is known to the State of California to cause cancer and birth defects or other reproductive harm. For more information go to www.P65Warnings.ca.gov.

Note: Natural gas, in its original state, contains Benzene.

This manual contains instructions to install the **ENGINE ONLY**. A trim kit is **REQUIRED** to complete the installation. A barrier screen is provided with the trim kit. **Refer to the manual supplied with the trim for installation.**

This appliance is a domestic room-heating appliance. It must not be used for any other purposes such as drying clothes, etc.

This appliance is suitable for installation in a bedroom or bed sitting room.

Ce guide est disponible en français sur demande.



We recommend a US Certified National Fireplace Institute (NFI) specialist install our gas hearth products.



The information contained in this manual is believed to be correct at the time of printing. Miles Industries Ltd. reserves the right to change or modify any information or specifications without notice. Miles Industries Ltd. grants no warranty, implied or stated, for the installation or maintenance of your heater, and assumes no responsibility for any consequential damage(s).

© Copyright Miles Industries Ltd., 2022. All rights reserved.
Designed and manufactured for Miles Industries Ltd.

Welcome to Valor®

This appliance has been professionally installed by:

Dealer Name: _____

Phone: _____

Please read this manual BEFORE installing and operating this appliance.

Fireplace Safety	4
Specifications	6
Kits & Accessories.....	7
Dimensions & Location.....	8
Planning	9
Before Installing.....	9
Overview	10
Combustible Clearances.....	11
Framing.....	13
Stud Framing.....	13
Hearth	14
Venting Considerations	18
Appliance Height in Framing	19
Appliance Depth in Framing.....	19
Using 1130FFK—Fixed Framing Kit.....	20
Using 1130CIK—Clean Install Kit.....	22
Using 3 or 4-Sided Trims	24
Wall Finish	26
Non-Combustible Cement Board.....	26
Finishing Around Trims	26
Cracking Wall Finishes	27
Venting	28
Overview	28
Co-axial.....	29
Typical Co-axial Venting Components	29
Venting Chart	30
Restrictors	32
Horizontal Vent Termination Location.....	33
Vertical Vent Termination	34
Co-linear Conversion.....	35
Applications.....	35
Installing Into an Existing Fireplace.....	36
Partial Installation Into an Existing Fireplace	37
Installation Into an Adjacent Chimney.....	38
Typical Co-linear Venting Components	39

Appliance Preparation	40
Stand-offs & Heat Shields.....	40
Vent Outlet.....	41
Window Removal	42
Optional HeatShift.....	43
Electrical Wiring	44
Installation	45
With 1130FFK—Fixed Framing Kit	45
With 1130CIK—Clean Install Kit.....	47
With 3 or 4-Sided Trims.....	50
Gas Supply.....	51
Liners	53
Fuel Beds	54
Birch Logs 1100BLK.....	54
Driftwood Kit 1100DWK	57
Traditional Logs 1100LSK	60
Window Re-Installation	63
Remote Battery and Wall Switch.....	65
Remote Control Set-Up	67
Remote Control Initial Pairing	67
Operation and Burner Aeration	68
Trim and Barrier Screen.....	69
Wiring Diagram	70
Approved Venting Components	71
Commonwealth of Massachusetts	73
Appendix A - Lighting Instructions Plate.....	75
Appendix B - Remote Control Operation	76
Appendix C - Wall Switch Operation	83
Appendix D - HeatShift System	84
Appendix E - Spare Parts	104

Fireplace Safety

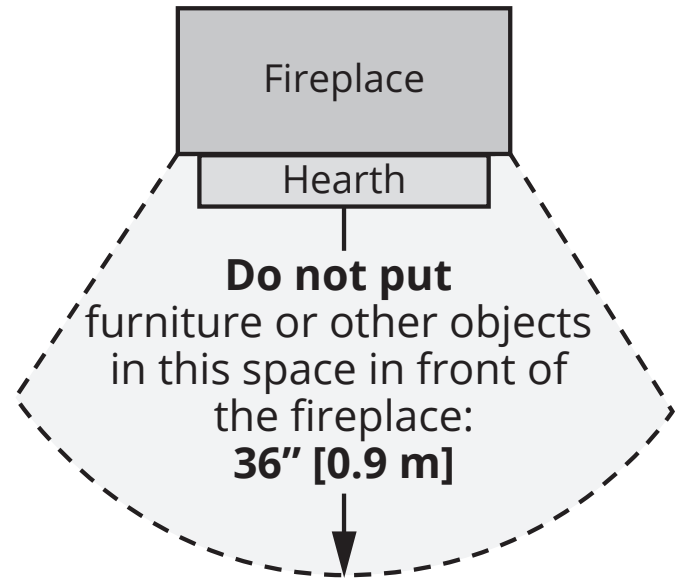
This manual contains very important information about the safe installation and operation of the fireplace. Read and understand all instructions carefully before installing and operating the fireplace. Failure to follow these instructions may result in possible fire hazard and will void the warranty.

Replacement manuals are available by contacting the Valor Customer Service at 1-800-468-2567, or by visiting valorfireplaces.com.

WARNING: Extremely Hot!

Heat and flammability

- Some parts of the fireplace are extremely hot, particularly the glass windows. Use the barrier screens provided or a gate to reduce the risk of severe burns.
- The glass windows can exceed 500°F at full capacity.
- Always keep the appliance clear and free from combustible materials, gasoline, and other flammable vapors and liquids.
- Be aware of hot wall surfaces! The walls directly above the fireplace can get very hot when the fireplace heats. Although safe, it may reach temperatures in excess of 200°F (93°C) depending on choice of optional accessories. Do not touch!
- Be aware of hot hearth/floor surfaces! Any projections directly around the fireplace can get very hot when the fireplace heats. Although safe, they may reach temperatures in excess of 200°F (93°C) depending on elevation of hearth. Be careful of touching these! Temperature of projection surfaces will be reduced when barrier screens are installed.
- Some materials or items, although safe, may discolor, shrink, warp, crack, peel, and so on because of the heat produced by the fireplace. Avoid placing candles, paintings, photos and other combustible objects sensitive to heat or furniture within 36 inches (0.9 m) around the fireplace.
- Due to its high temperatures, the appliance should be located out of traffic areas and away from furniture and draperies.
- Clothing or flammable material should not be placed on or near the appliance.



Barrier Screen and Safety

- A barrier designed to reduce the risk of burns from the hot viewing glass is provided with this appliance and shall be installed for the protection of children and other at-risk individuals.
- Children and adults should be alerted to the hazards of high surface temperature and should stay away to avoid burns or clothing ignition.
- Young children should be carefully supervised when they are in the same room as the appliance. Toddlers, young children, and others may be susceptible to accidental contact burns. A physical barrier is recommended if there are at-risk individuals in the house. To restrict access to a fireplace or stove, install an adjustable safety gate to keep toddlers, young children, and other at-risk individuals out of the room and away from hot surfaces.
- Any safety screen, guard, or barrier removed for servicing an appliance must be replaced prior to operating the appliance.

Fireplace Safety

Glass windows

WARNING

Do not operate this appliance with the glass front removed, cracked, or broken.

Do not strike or slam the glass front.

Replacement of the glass front should be performed by a licensed or qualified service person.

- The glass front assemblies must be in place and sealed before the unit can be placed into safe operation.
- The glass front assemblies must only be replaced as complete units, as supplied by the fireplace manufacturer. No substitute material may be used.
- Do not use abrasive cleaners on the glass front assemblies. Do not attempt to clean the glass when it is hot.

Venting

- This unit must be used with a vent system as described in this manual. No other vent system or components may be used.
- Never obstruct the flow of combustion and ventilation air. Keep the front of the appliance clear of all obstacles and materials for servicing and proper operation.
- This gas fireplace and vent assembly must be vented directly to the outside and must never be attached to a chimney serving a separate solid fuel burning appliance. Each gas appliance must use a separate vent system. Common vent systems are prohibited.

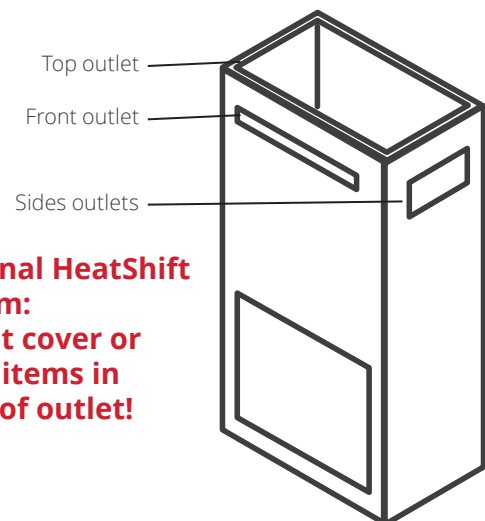
Intended use

- This appliance is designed and approved as a supplemental heater and provides the potential for most energy conservation when used while attended. The use of an alternate primary heat source is advisable.
- This unit is not for use with solid fuel.
- Do not use this heater as a temporary source of heat during construction.

Installation and Servicing

- Installation and repair should be done by a qualified service person. The appliance should be inspected before use and at least annually by a professional service person. More frequent cleaning might be required due to excessive lint from carpeting, bedding material, et cetera. It is imperative that control compartments, burners, and circulating air passageways of the appliance be kept clean.
- Do not use this appliance if any part has been under water. Immediately call a qualified service technician to inspect the appliance and to replace any part of the control system and any gas control that has been under water.

WARNING



**Optional HeatShift System:
Do not cover or place items in front of outlet!**

Specifications

Approval & Codes

This appliance is certified to ANSI Z21.88/CSA 2.33 American National Standard / CSA Standard for Vented Gas Fireplace Heaters for use in Canada and USA, and to CGA 2.17-M91 High Altitude Standard in Canada. This appliance is for direct vent installations.

This appliance complies with CSA P.4.1-15 Testing method for measuring annual fireplace efficiencies.

The installation must conform to local codes or, in the absence of local codes, with the National Fuel Gas Code, ANSI Z223.1/NFPA 54 or the Natural Gas and Propane Installation Code CAN/CGA-B149.1. Only qualified licensed or trained personnel should install this appliance.

This appliance must be electrically grounded in accordance with local codes, or, in the absence of local codes, with the National Electrical Code, ANSI/NFPA 70 or the Canadian Electrical Code, CSA C22.1.

Ratings

Model	1100MN	1100MP
Gas	Natural	Propane
Altitude (Ft.)*	0-4,500 feet*	
Input Maximum (Btu/h)	30,000	30,000
Input Minimum (Btu/h)	16,000	16,000
Manifold Pressure (in w.c.)	3.5"	9"
Minimum Supply Pressure (in w.c.)	5"	11"
Maximum Supply Pressure (in w.c.)	10"	14"
Main Burner Injector Marking	36 DMS	51 DMS
PSE Pilot Injector Marking	BL22N	BL14LP
Min. Rate By-Pass Screw	185	125

*High Altitude Installations

Input ratings are shown in BTU per hour and are certified without deration for elevations up to 4,500 feet (1,370 m) above sea level.

For elevations above 4,500 feet (1,370 m) in USA, installations must be in accordance with the current ANSI Z223.1 and/or local codes having jurisdiction. Heating value of gas in some areas is reduced to compensate for elevation—consult your local gas utility to confirm.

For installations at elevations above 4,500 feet (1,370 m) in Canada, please consult provincial and/or local authorities having jurisdiction.

Supply Gas

Heater engines 1100MN is used with natural gas.

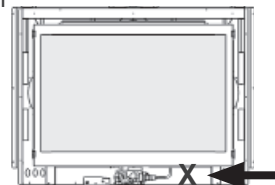
Heater engines 1100MP is used with propane gas.

The supply pressure must be between the limits shown in the Ratings section.

The supply connection is 3/8" NPT male and located on the right hand side of the firebox.

A shut-off valve (not supplied) is required on the supply line to isolate the unit during service.

See Gas Supply on pages 51-52 for details.



Conversion Kits

The 1100M is supplied as natural gas or propane gas and is field convertible between fuels. See instructions packaged with the conversion kits for further information.

Electrical

The 1100M is designed to run on battery power and does not require an electrical power source to operate as a heater. However, it requires electrical power to operate optional 1195CFK Circulating Fan Kit, or GV60WIFI WiFi module.



WARNING

**NO ELECTRICAL CONNECTION ALLOWED
for any outdoor installation!**

Outdoor Conversion Kit

The 1100M models are supplied standard for indoor applications and may be adapted for installation in specific "outdoor" applications protected from weather as defined in the GV60CKO outdoor conversion kit manual.

Specifications

HeatShift™ System—optional

The 1100M is designed to allow the installation of the optional HeatShift System, a convection system that redistributes the warm air flow away from the fireplace opening to a more desirable location using natural convection, without use of a fan.

The warm air flow may be relocated to a position higher up the wall, or even to another room. The result is much cooler wall temperatures above the fireplace opening for locating televisions, artwork, etc.

Please note that the framing and mantel clearances are affected by the installation of the HeatShift System. Refer to Appendix D - HeatShift System on pages 84-102 for more information.

Kits & Accessories

Required Kits

Fuel Beds (choose one)		
1100DWK	Driftwood Kit	
1100BLK	Birch Log Kit	
1100LSK	Traditional Log Kit	
Ceramic Liners (choose one)		
1110VRL	Valor Red Liners	
1115LSL	Ledgestone Liners	
1125FBL	Fluted Black Liners	
1160PBL	Plain Black Liners	
1170RGL	Reflective Glass Liners	
1175HBL	Herringbone Liners	
Trims		Barrier Screens
1130CIK	Clean Framing Kit	4008437
1130FFK	Fixed Framing Kit	4005632
1135TSB	Three-Sided Trim Black	
1140FS 2	Four-Sided Trims	4006326
1184EC	Edgemont Craftsman Trims	4008798

Information accurate at the time of printing and subject to change without notice.

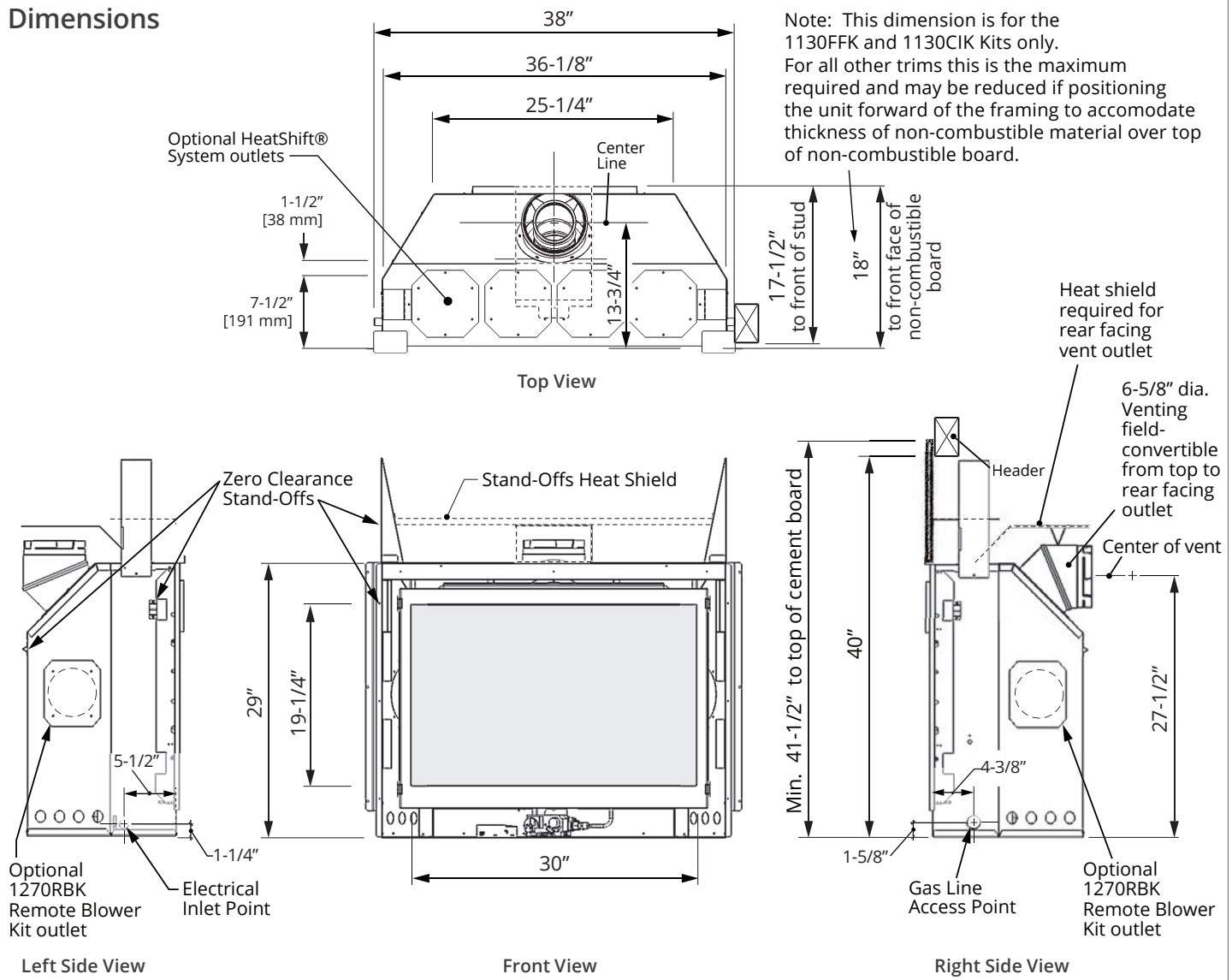
Optional Accessories

Gas Conversion Kits	
1100MPGK	Conversion to propane gas
1100MNGK	Conversion to natural gas
Other Accessories	
GV60CKO	Outdoor Fireplace Conversion Kit
1105RGL	Glass Rear Panel for 1125FBL or 1160PBL
1195CFK	Circulating Fan Kit
1270RBK	Remote Blower Kit
LDK	HeatShift System
GV60WIFI	WiFi Module (if no fan, requires GV60VM + H5/6-PWK)
GV60VM	V-Module
H5/6-WPK	WiFi Power Kit - J-box
Hearth Gate	Hearth Gates such as Cardinal's VersaGate are available at retail stores carrying safety products for children.

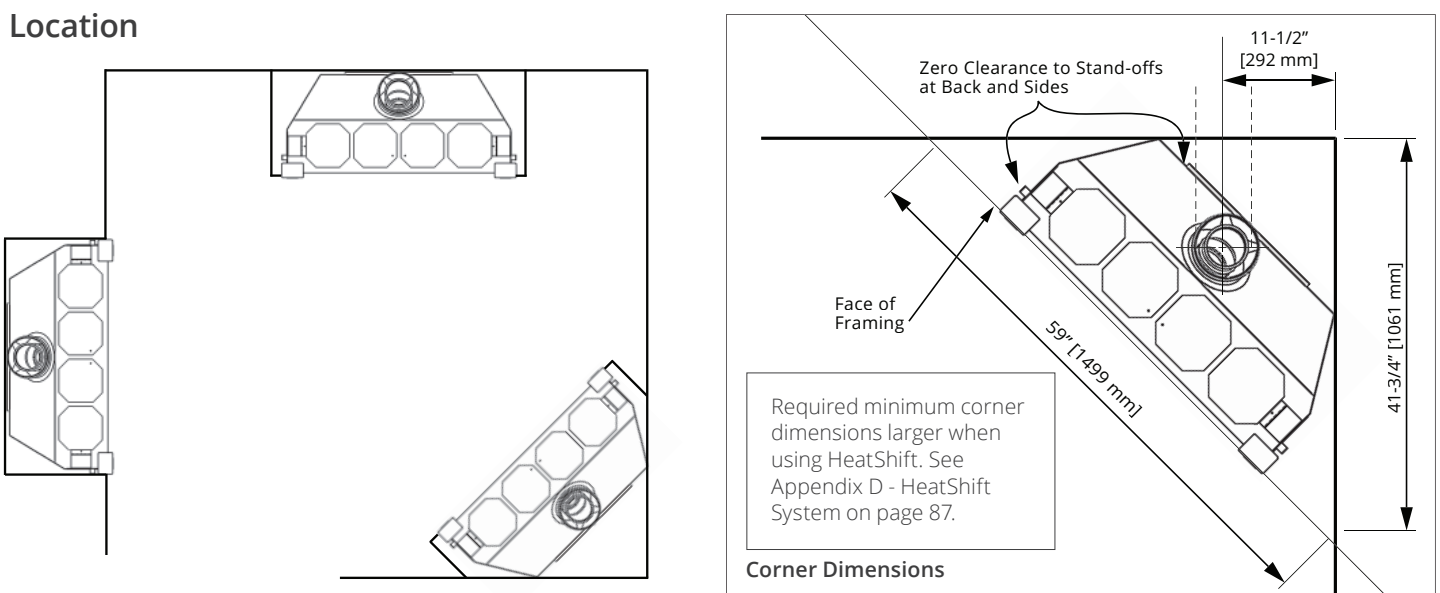
 **WARNING**
NO ELECTRICAL CONNECTION ALLOWED
for any outdoor installation!

Dimensions & Location

Dimensions



Location



Planning

Before Installing



Attention

ONLY qualified licensed or trained personnel should install this appliance.

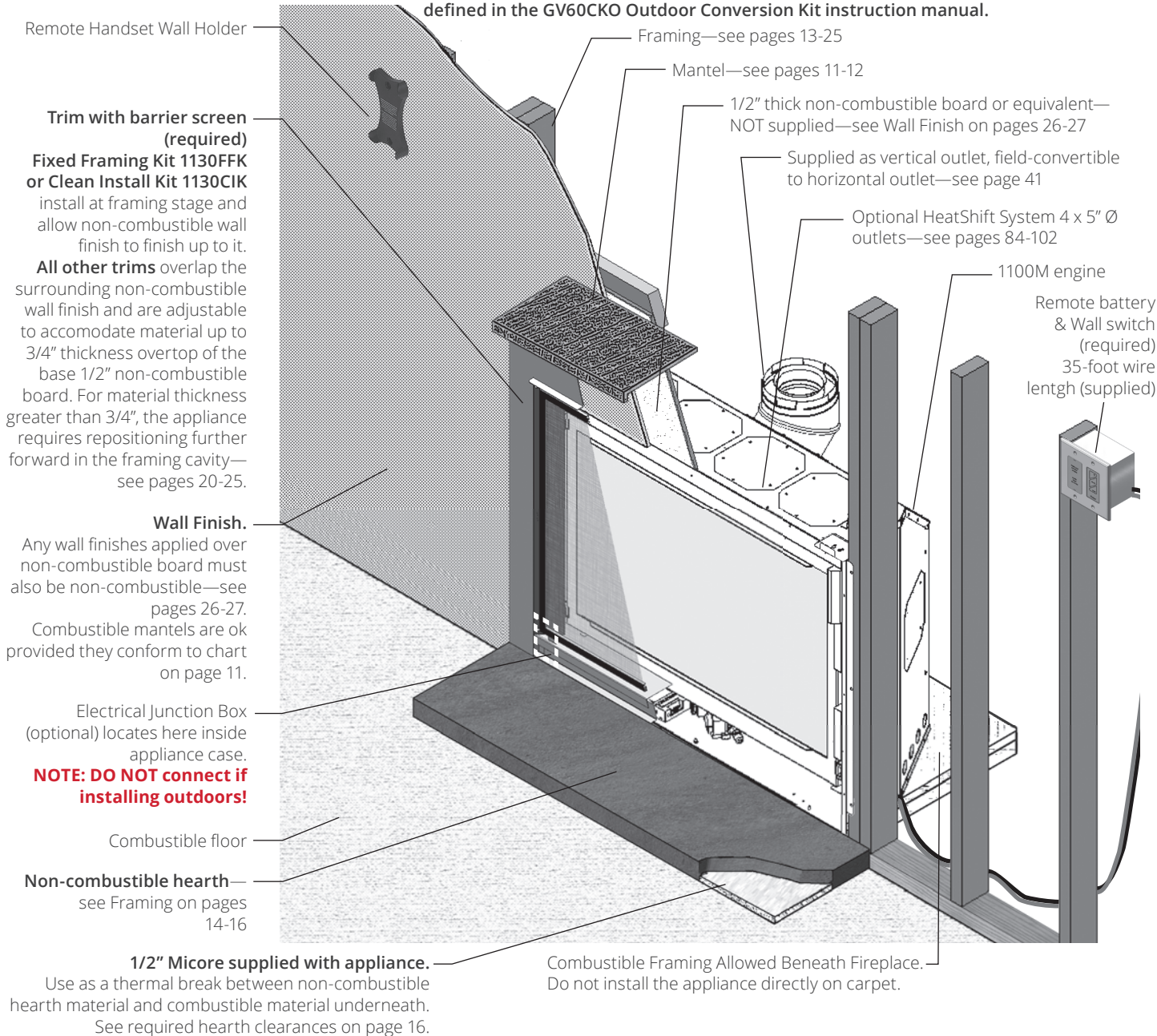
1. **BEFORE YOU START—YOU NEED TO KNOW FROM THE HOMEOWNER:**
 - Will the optional HeatShift System be used;
 - Height of the unit and hearth if used;
 - Thickness and type of wall finish around firebox opening;
 - Required accessories to install with fireplace (liners, fuel bed, trim);
 - Optional accessories if used;
 - Venting configuration.
2. Unpack the appliance, removing all items packed inside and around it. Recycle packaging.
3. Check that you have everything required for the installation, using the Pack Content sheet. Also, check that you have:
 - Fuel bed (packed separately);
 - Liner panels (packed separately);
 - Remote Battery & Wall Switch;
 - Venting accessories;
 - Gas conversion kit, if necessary;
 - HeatShift accessories, if used;
 - Electrical accessories, if necessary.
4. **Carefully read the Installer's Checklist included with the fireplace for the installation sequence. Read also this manual to have all information necessary for the installation.**



WARNING

**NO ELECTRICAL CONNECTION ALLOWED
for any outdoor installation!**

Note: This appliance may be installed in outdoor, weather protected environments as defined in the GV60CKO Outdoor Conversion Kit instruction manual.



⚠ WARNING
HOT WALL SURFACES! The wall directly above the fireplace is constructed of non-combustible materials and, although safe, it may reach temperatures in excess of 200° F (93° C) depending on choice of trims. Do not touch. Finish the wall using materials suitable for these temperatures.

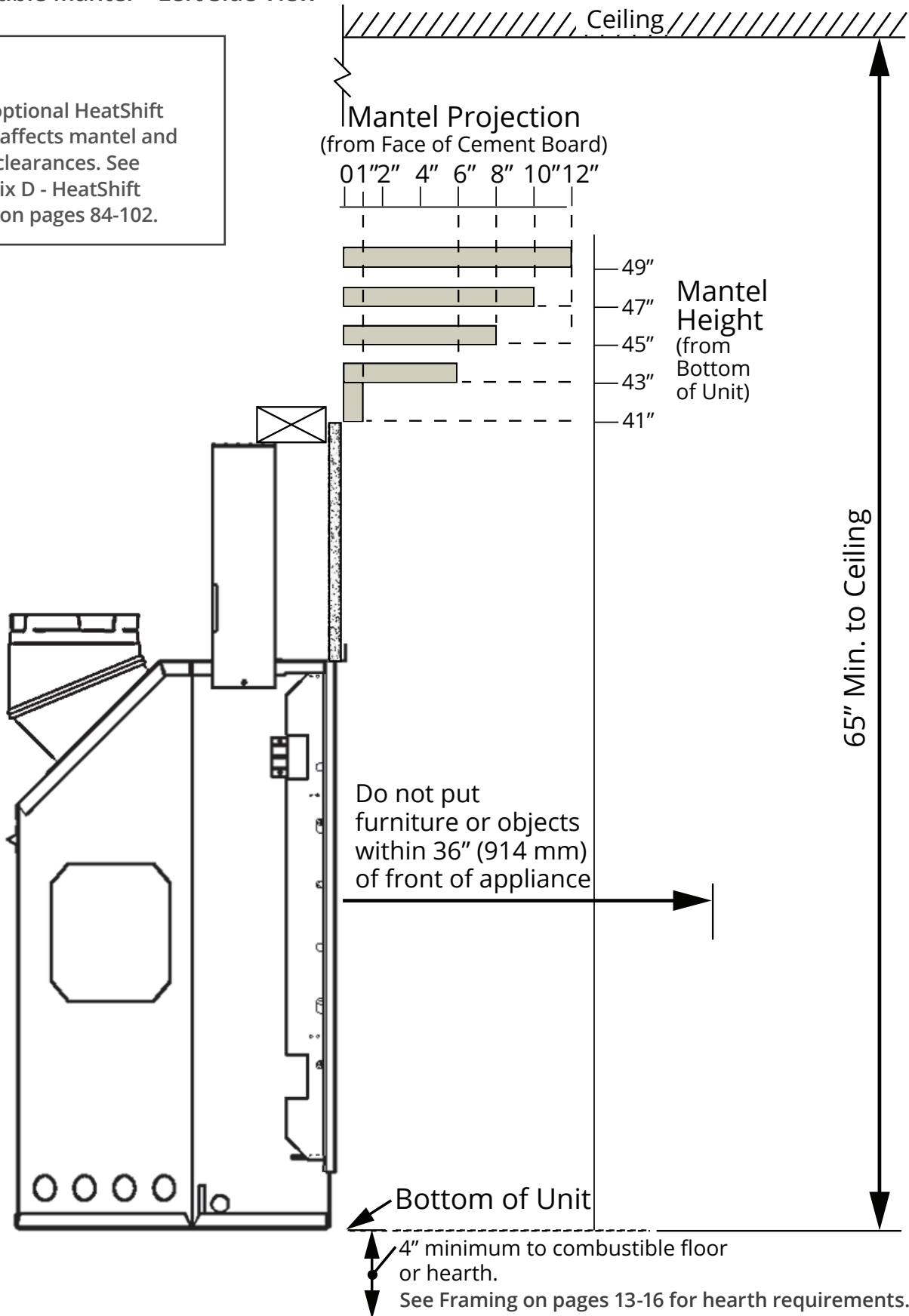
⚠ WARNING
HOT HEARTH SURFACES! The hearth in front of the fireplace may become very hot. Locating the appliance higher than the surface of hearth and installing the barrier screen will reduce temperatures. Note that some materials, although safe, may deteriorate due to heat—carefully evaluate which materials to use.

Planning

Combustible Clearances

Combustible Mantel—Left Side View

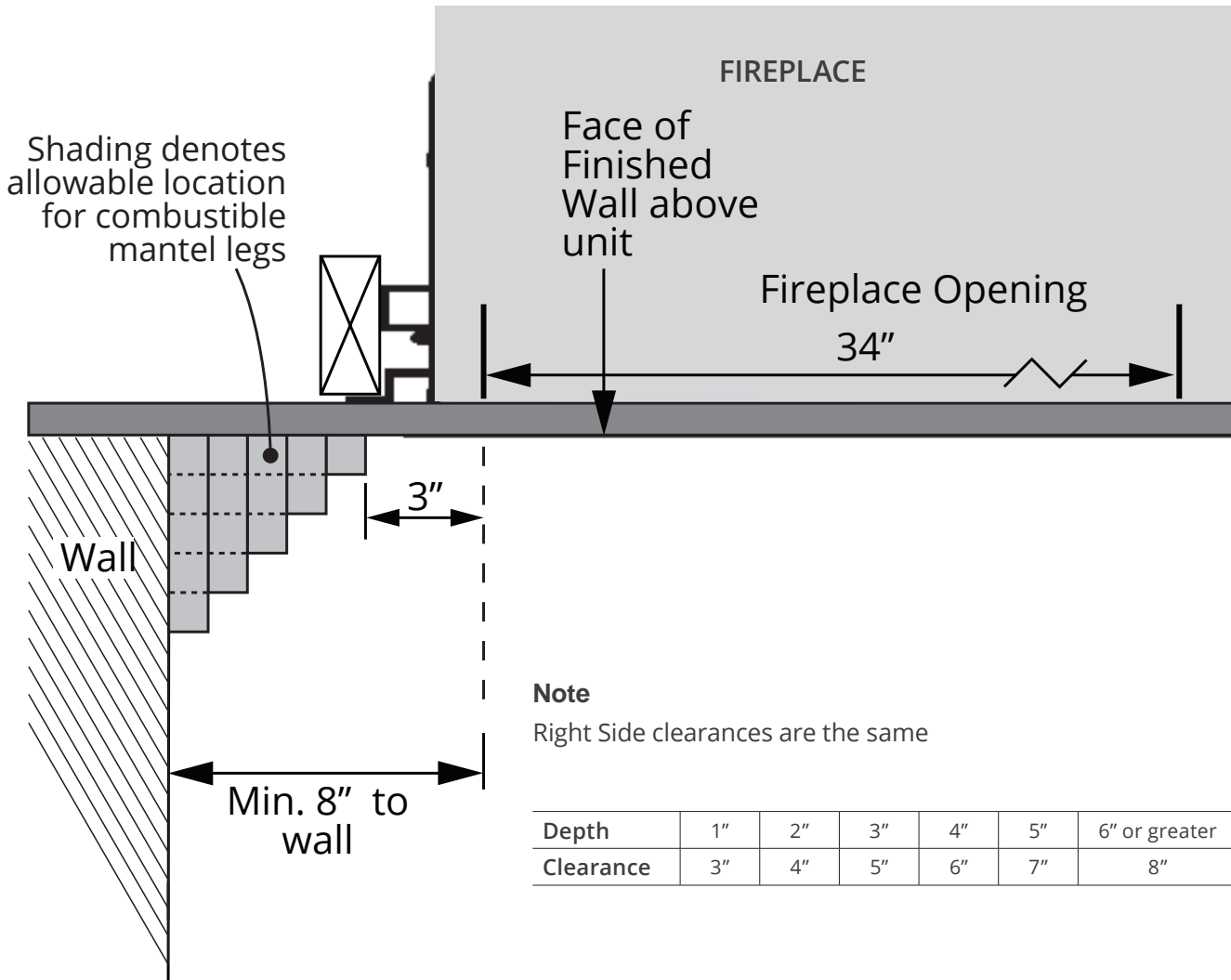
NOTE
Use of optional HeatShift System affects mantel and hearth clearances. See Appendix D - HeatShift System on pages 84-102.



Planning

Combustible Clearances

Combustible Sidewall / Mantel Leg—Top View



Stud Framing

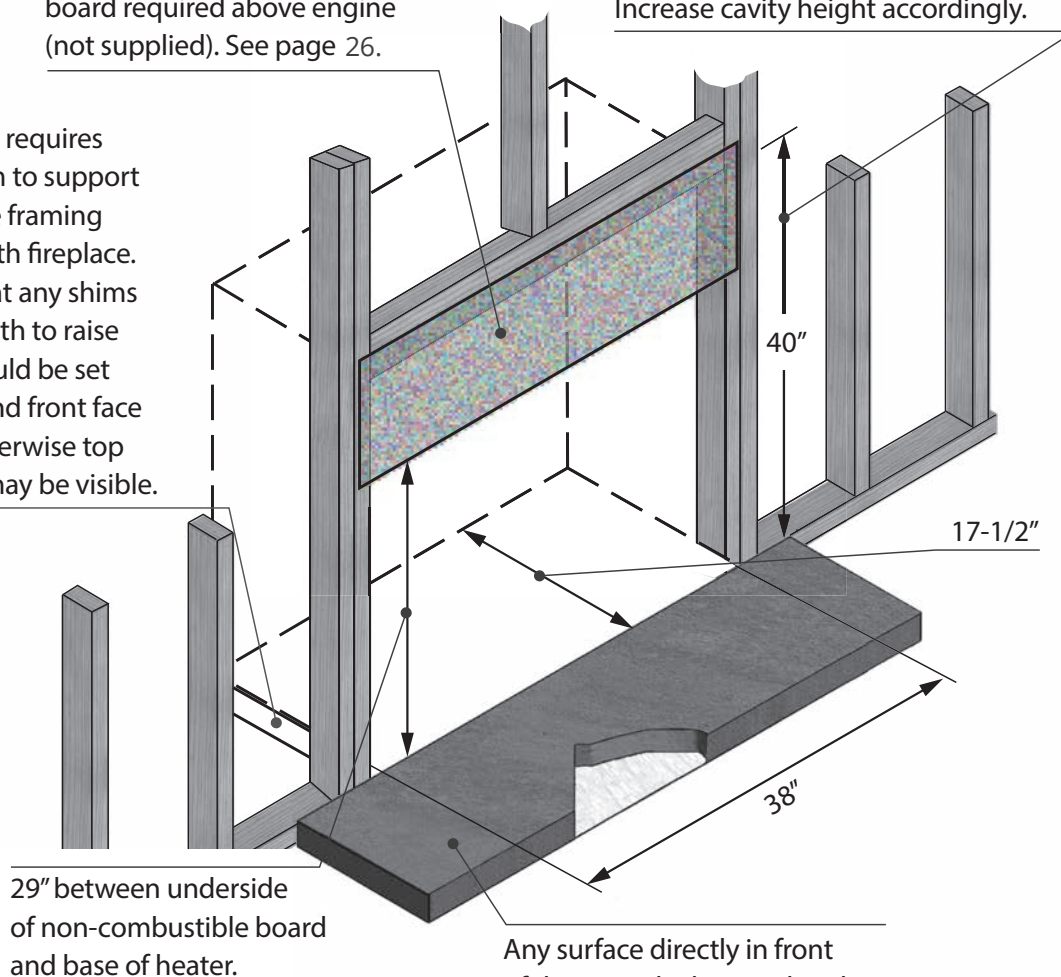
NOTE

Use of optional HeatShift System affects framing. See Appendix D - HeatShift System on pages 84-102.

1/2" thick non-combustible board required above engine (not supplied). See page 26.

Between underside of header and base of heater, base of heater must be at finished hearth height. However, please note that the 1140FSB 4-sided trim extends 1-1/2" below the base of heater. Increase cavity height accordingly.

NOTE: This unit requires a solid platform to support it. Combustible framing allowed beneath fireplace. Please note that any shims used underneath to raise the heater should be set back 1/2" behind front face of framing; otherwise top face of shims may be visible.



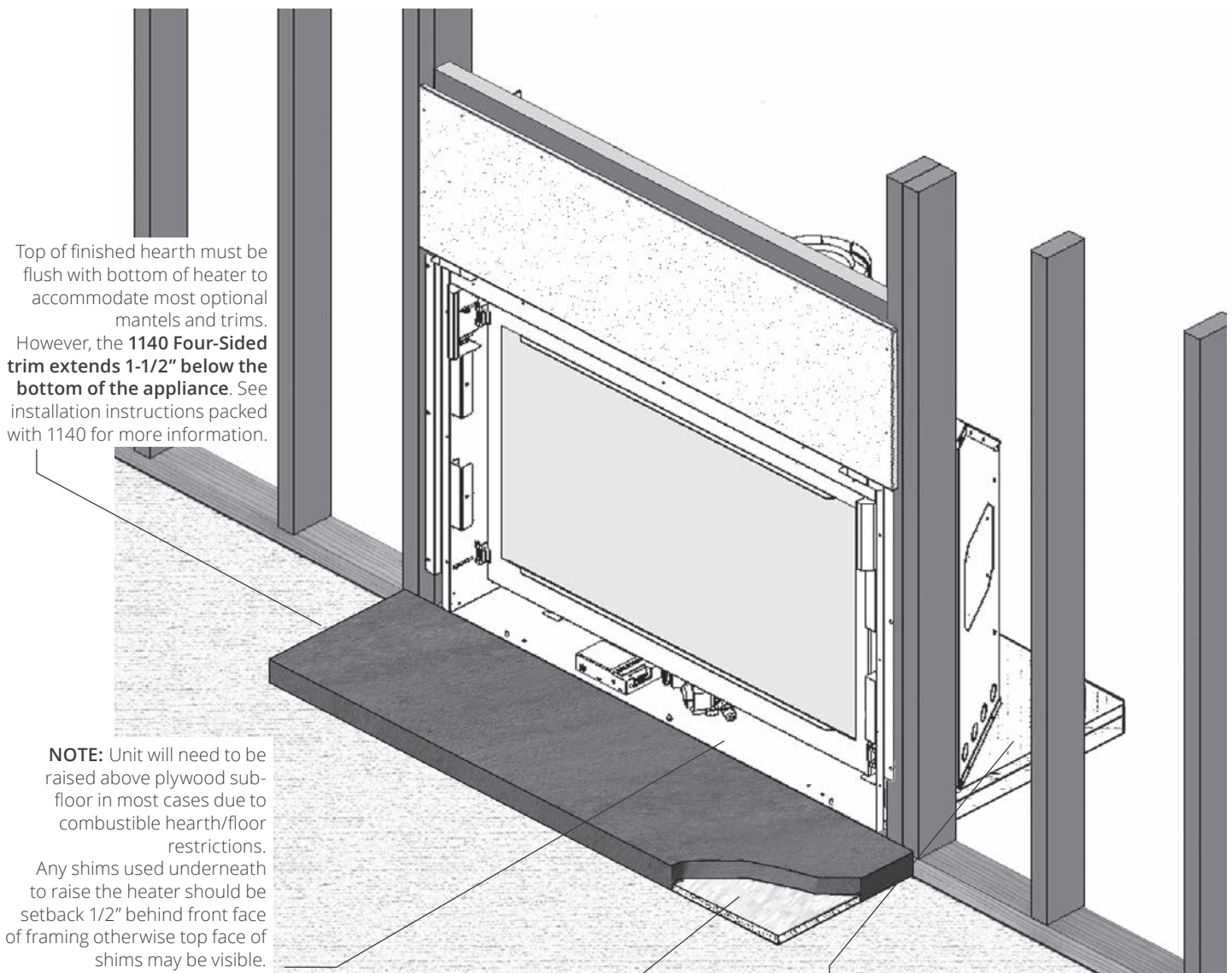
29" between underside of non-combustible board and base of heater.

Any surface directly in front of the unit which is at a height of less than 4" from the bottom of the unit must be non-combustible.

Hearth

WARNING

The H5 is a very effective radiant heater. The hearth/floor in front of the heater can get very hot (in excess of 200°F). Locating the unit raised above the hearth/floor and using the barrier screen will greatly reduce hearth temperatures. Any hearth within 4 inches of the base of the heater must be constructed of non-combustible materials and utilize the insulation board supplied as a thermal break between the non-combustible hearth finish and the combustible construction below (see diagrams in the following pages). Note that some materials, although safe can degrade due to heat—take this into consideration when choosing materials.



Top of finished hearth must be flush with bottom of heater to accommodate most optional mantels and trims. However, the **1140 Four-Sided trim** extends 1-1/2" below the bottom of the appliance. See installation instructions packed with 1140 for more information.

NOTE: Unit will need to be raised above plywood sub-floor in most cases due to combustible hearth/floor restrictions. Any shims used underneath to raise the heater should be setback 1/2" behind front face of framing otherwise top face of shims may be visible.

Insulation board in non-combustible hearth

When the appliance is installed directly on carpeting, tile or other combustible material other than wood flooring, the appliance shall be installed on a metal or wood panel extending the full width and depth of the appliance.

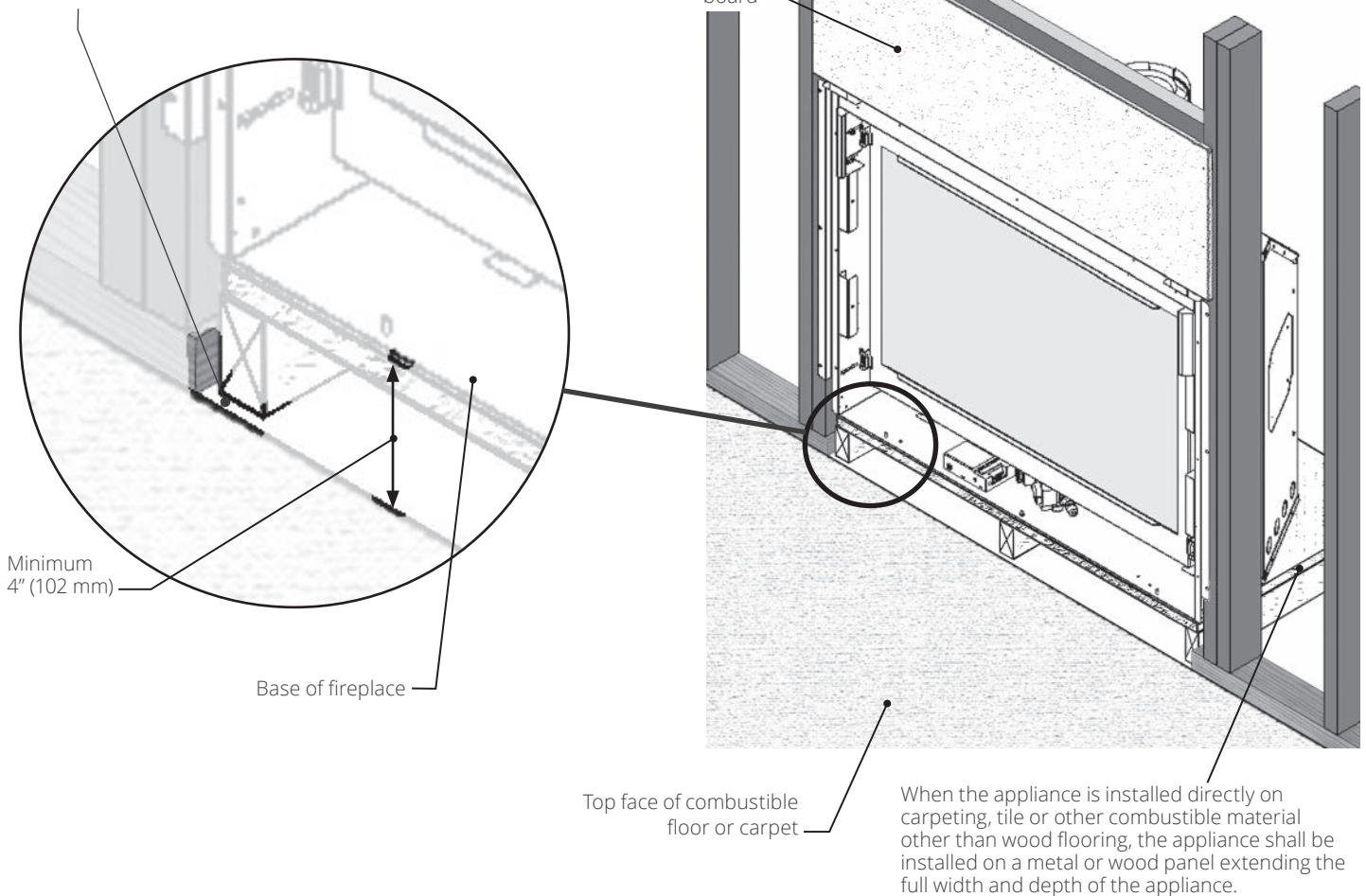
Hearth

Rules

1. A hearth is not required. However, any hearth/floor in front of fireplace within 4 inches vertically of the bottom of the unit must be non-combustible and project a minimum distance as shown on page 16. Hearth/floors within 4 inches must have a non-combustible finish **applied over the 1/2 inch insulation board** provided with the engine. This insulation board acts as a thermal break.
2. Minimum hearth projection is determined by a combination of the height of the hearth above the surface of combustible floor or carpet and the distance between the hearth and the bottom of the fireplace.
3. Combustible baseboards (1 inch thick or less) located on the wall are acceptable provided they are located below the base of the raised fireplace.

Unit Raised Above Combustible Hearth or Floor

Note: Any shims used underneath to raise the heater should be set-back 1/2" behind front face of framing otherwise top face of shims may be visible.

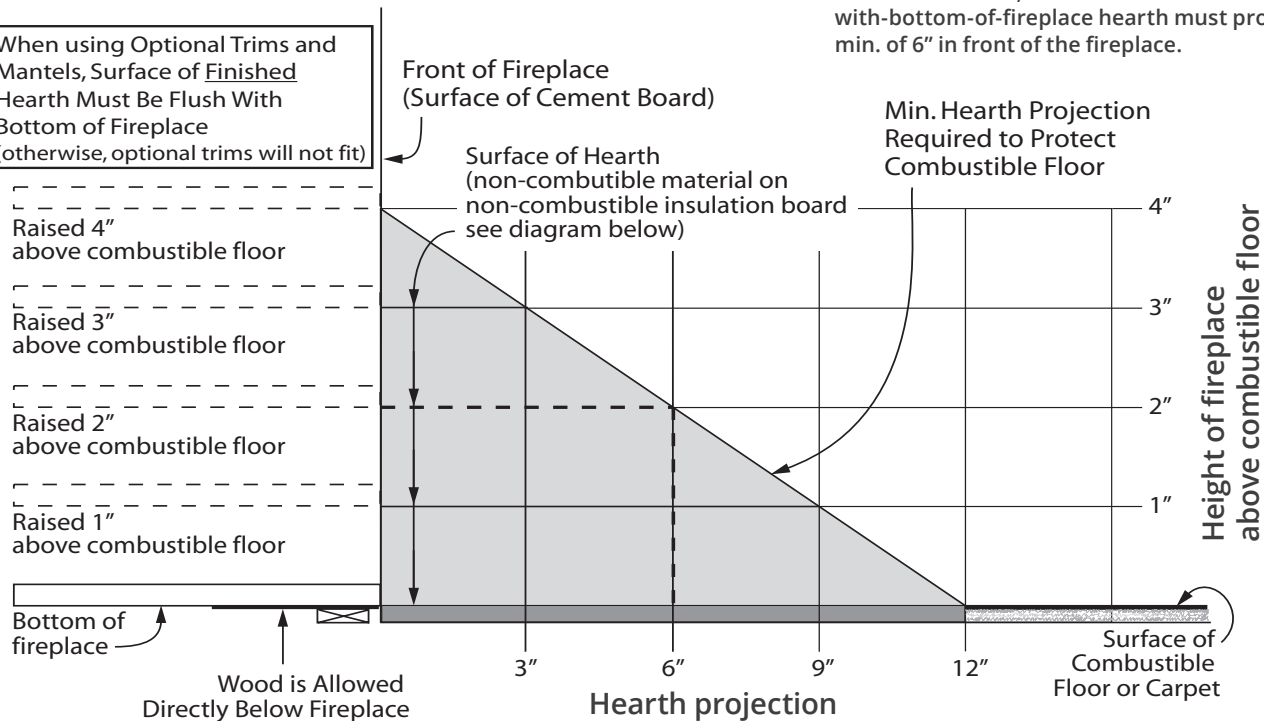


Hearth

Unit With Site-Built Non-Combustible Hearth Extending

Example: If the fireplace is raised 2" above combustible floor, the non-combustible-flush-with-bottom-of-fireplace hearth must project a min. of 6" in front of the fireplace.

When using Optional Trims and Mantels, Surface of Finished Hearth Must Be Flush With Bottom of Fireplace (otherwise, optional trims will not fit)

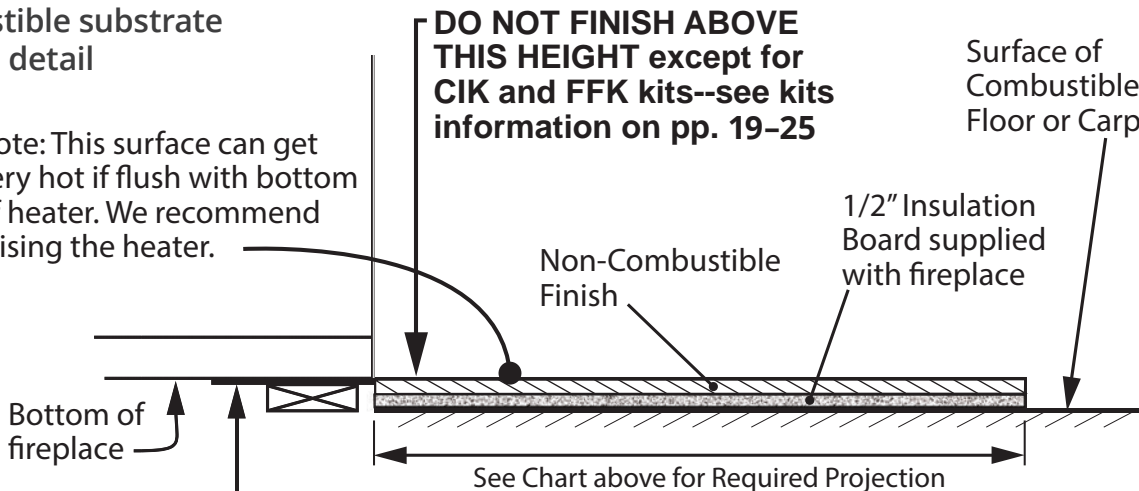


Non-combustible substrate construction detail

Note: This surface can get very hot if flush with bottom of heater. We recommend raising the heater.

DO NOT FINISH ABOVE THIS HEIGHT except for CIK and FFK kits--see kits information on pp. 19-25

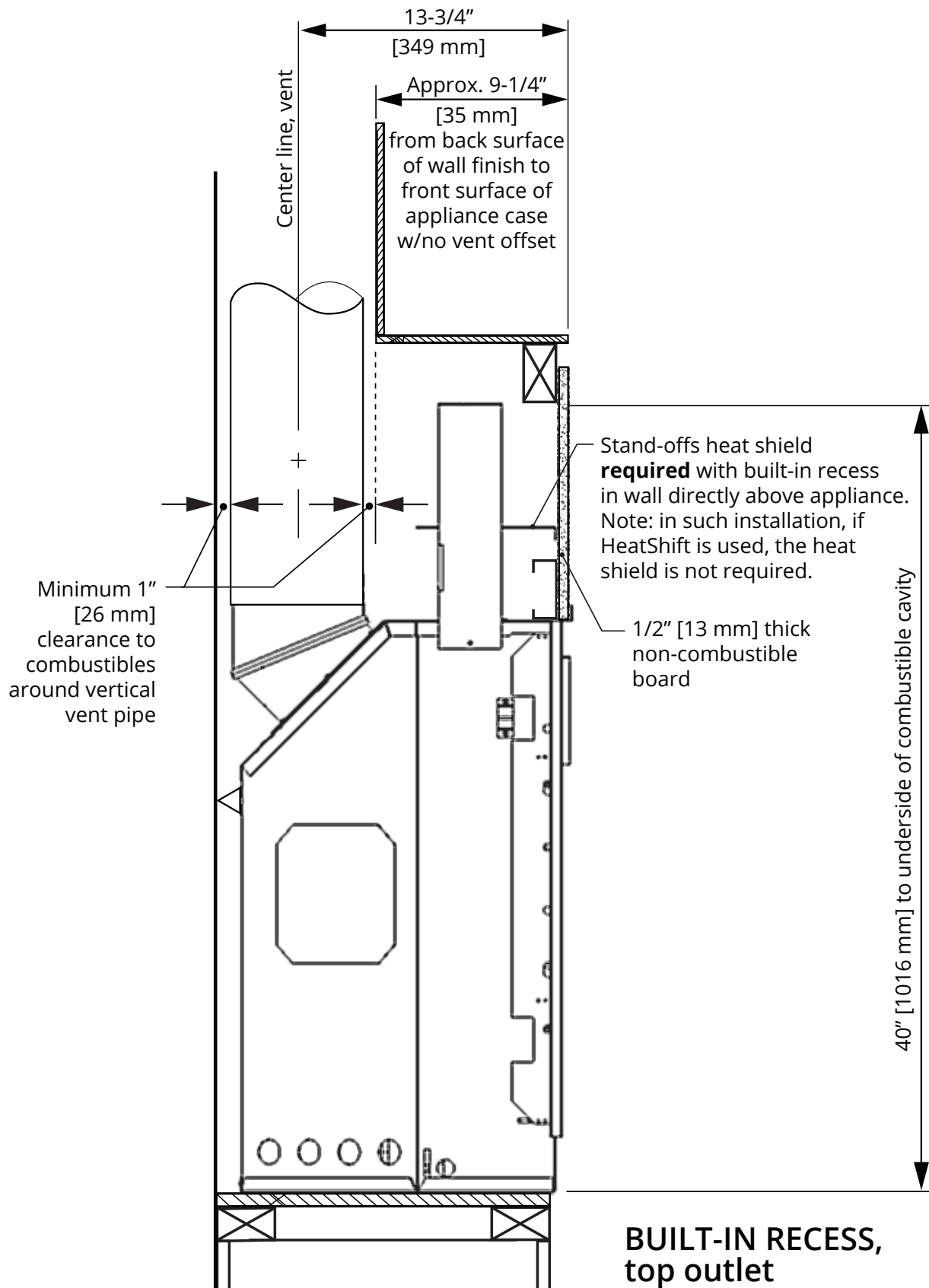
Surface of Combustible Floor or Carpet



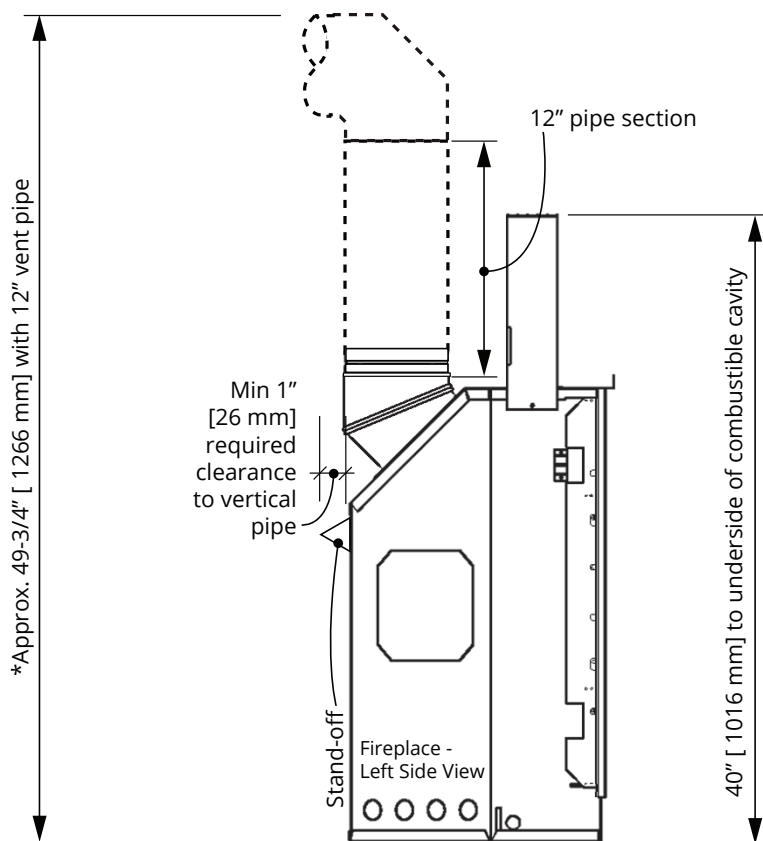
Wood is Allowed directly below fireplace

See Chart above for Required Projection

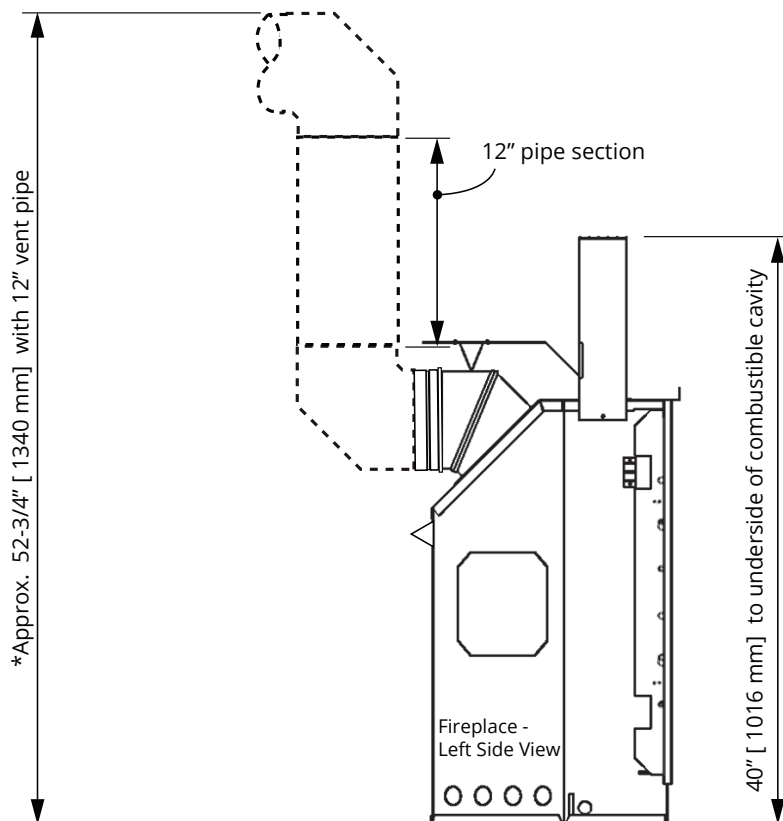
Built-In Recess Above Fireplace—Top Outlet



Vertical Takeoff



Horizontal Takeoff



Venting Considerations

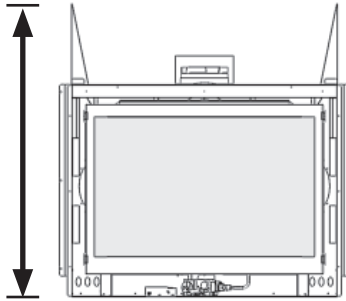
*Notes—ALL venting considerations

- Dimensions of venting are based on using Dura-Vent elbows. Elbow curve radius dimensions will vary when using other brands. In general, other brands have slightly bigger radius.
- 3 inches clearance to combustibles required above horizontal pipe. Slope horizontal pipe upwards 1/4 inch per foot. 1 inch clearance required around sides and bottom of horizontal pipe and around vertical pipe.
- When calculating effective pipe lengths subtract approximately 1-1/2 inch for pipe joint - for example, a 12 inches pipe section will add approximately 10-1/2 inches overall.

Planning

Framing

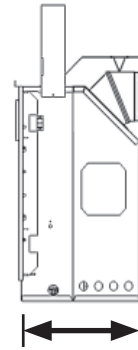
Appliance Height in Framing



Hearth considerations

- Only a non-combustible hearth can be installed in front of the appliance if within 4" of the bottom of the appliance.
- The top surface of the non-combustible hearth must be at the same level as appliance bottom panel when using certain trims and accessoires—see pages 14-16.
- The non-combustible hearth in front of the appliance, if within 4" of the bottom of the appliance, must include the 1/2" *Micore* insulation board provided to be used as thermal break between non-combustible and combustible material underneath.

Appliance Depth in Framing



- 1130FFK Fixed Framing Kit and 1130CIK Clean Install Kit install at framing stage and the appliance position is fixed in the framing. In both cases, the wall finishes butt up to the frame of the kit.
- All other trims install after the wall finish is applied. The perimeter of the trims overlap the wall finish; therefore the thickness of any wall finish materials must be taken into consideration. The trims have enough adjustability to allow up to 3/4" thick material applied over top of the 1/2" thick non-combustible board. Otherwise the appliance position within the framing must be adjusted to allow the additional thickness—see page 25.

Planning

Framing—1130FFK Fixed Framing Kit

Using 1130FFK—Fixed Framing Kit

Part of the 1130 Fixed Framing Kit installs at the time of framing the appliance.

The side brackets provided loose with the appliance are not needed with this kit. See next page.

The positioning brackets and convection gap filler brackets installed on the appliance are not needed with this kit and must be removed. See next page.

The 1130 Fixed Framing Kit is not compatible with any other trim or door kits.

Hearth considerations

You need to know whether there will be a hearth or not in front of the appliance and some rules must be considered.

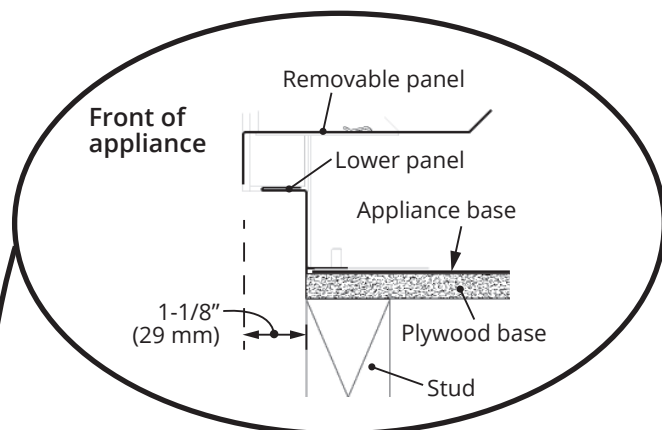
Without hearth (up the wall)

In the case where there is no hearth, the bottom of the appliance must be raised at least 4" inches above any combustible floor in front.

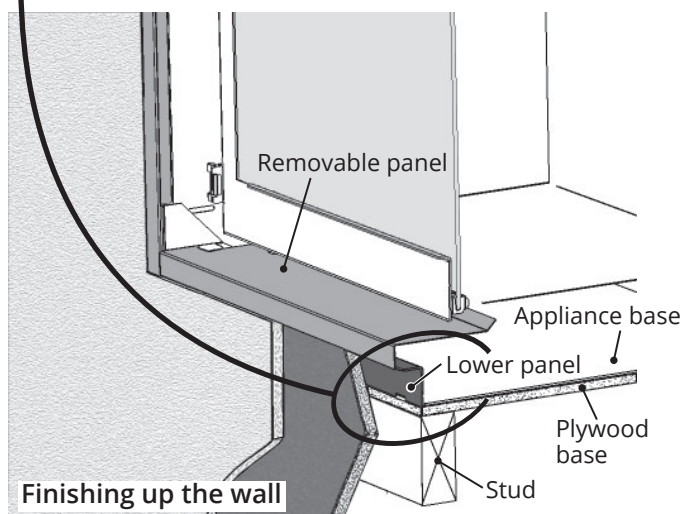
With hearth

Only a non-combustible hearth can be installed in front of the appliance if within 4" vertically of the bottom of the appliance. See Framing on pages 13-16 of this manual for hearth requirements details.

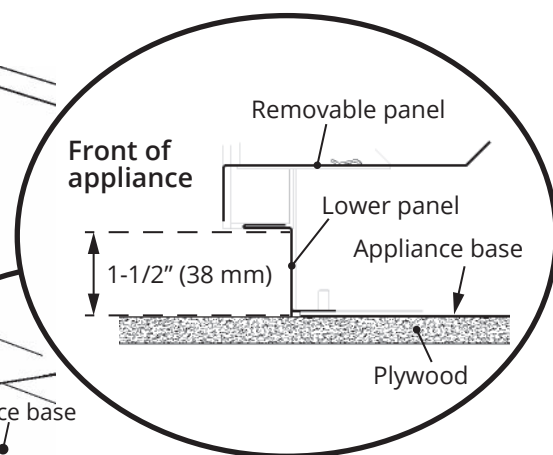
The non-combustible hearth in front of the appliance, if within 4" of the bottom of the appliance, must include the 1/2" *Micore* insulation board provided to be used as thermal break between non-combustible and combustible material underneath.



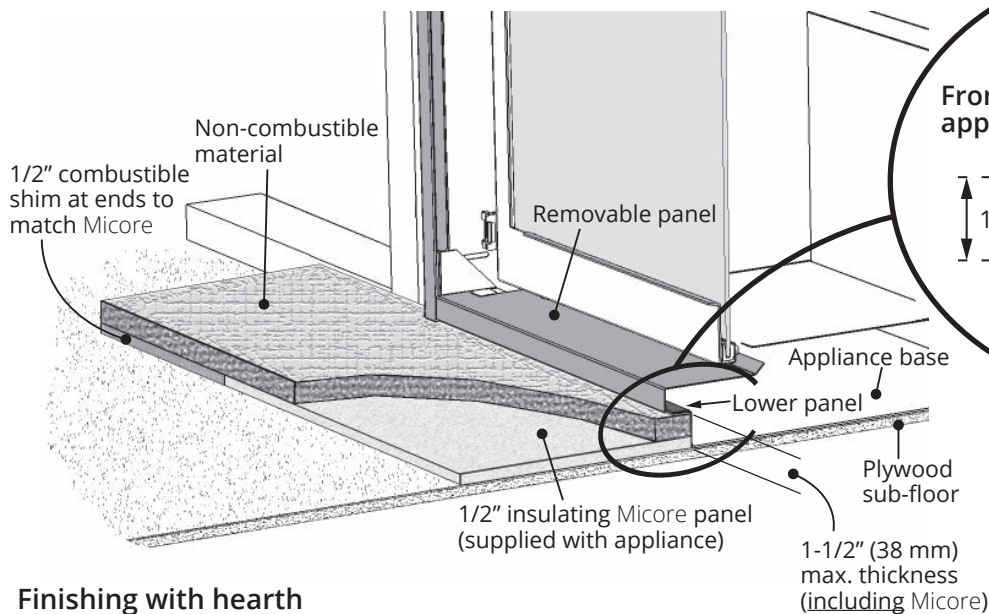
Section view, up the wall—detail



Finishing up the wall



Section view, hearth—detail



Finishing with hearth

Planning

Framing—1130FFK Fixed Framing Kit

Appliance Depth in Framing—with 1130 Fixed Framing Kit

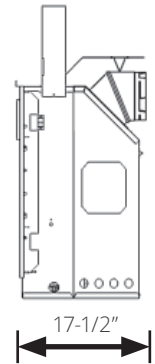
The 1130 installs to the appliance during the framing stage and the appliance's position is fixed in the framing. Wall finishes are then applied over top of the flanges and butted up to the frame of the 1130.

NOTE

Non-combustible wall finish material is required above the unit, see page 26.

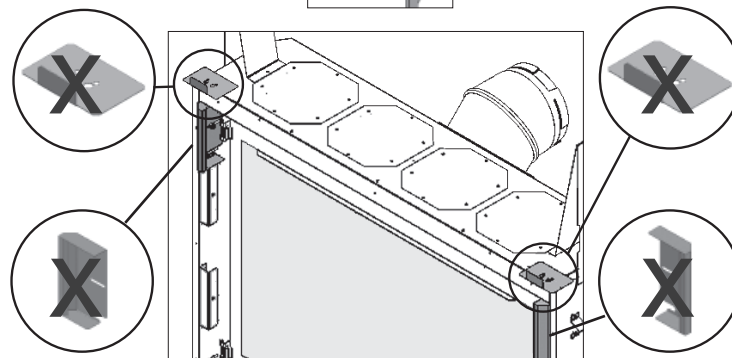
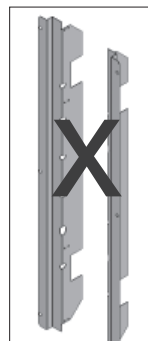


1130FFK Fixed Framing Kit



1130 Fixed Framing Kit, fixed position

- side brackets supplied with appliance **not required**
- appliance positioning brackets supplied on appliance **not required**
- appliance convection gap filler brackets supplied on appliance **not required**
- see installation instructions on page 47



Planning

Framing—1130CIK Clean Install Kit

Using 1130CIK—Clean Install Kit

Part of the 1130CIK Clean Install Kit installs at the time of framing the appliance.

The side brackets provided loose with the appliance are not needed with this kit. See next page.

The positioning brackets, convection gap filler brackets and trim support brackets installed on the appliance are not needed with this kit and must be removed. See next page.

The 1130CIK Clean Install Kit is not compatible with any other trim or door kits.

Hearth considerations

You need to know whether there will be a hearth or not in front of the appliance and some rules must be considered.

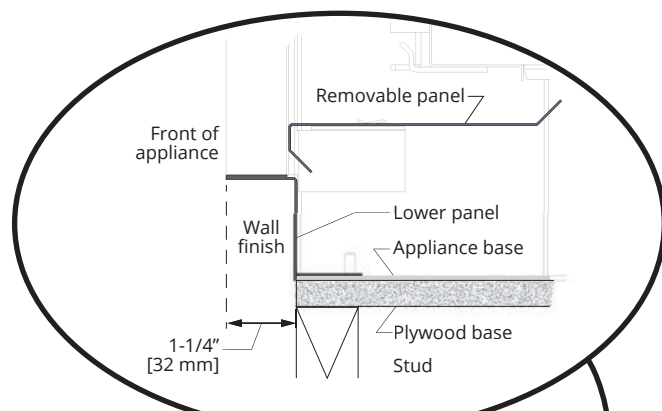
Without hearth (up the wall)

In the case where there is no hearth, the bottom of the appliance must be raised at least 4" inches above any combustible floor in front.

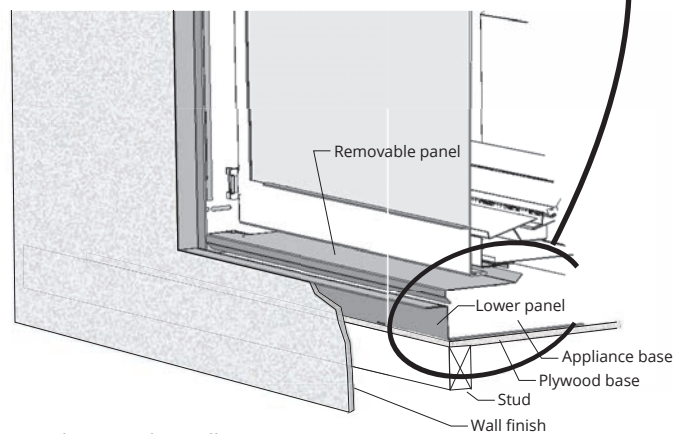
With hearth

Only a non-combustible hearth can be installed in front of the appliance if within 4" vertically of the bottom of the appliance. See Framing on pages 13-16 of this manual for hearth requirements details.

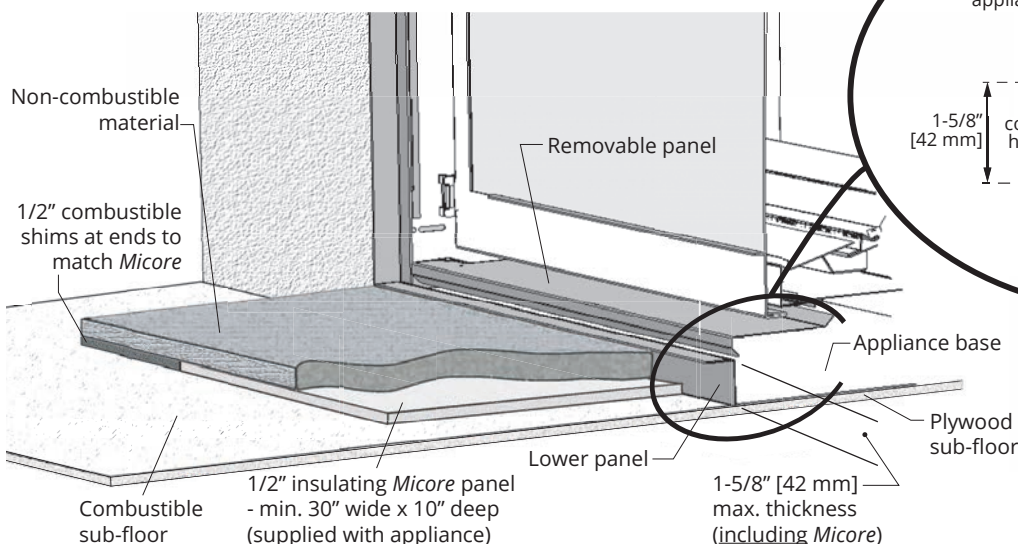
The non-combustible hearth in front of the appliance, if within 4" of the bottom of the appliance, must include the 1/2" *Micore* insulation board provided to be used as thermal break between non-combustible and combustible material underneath.



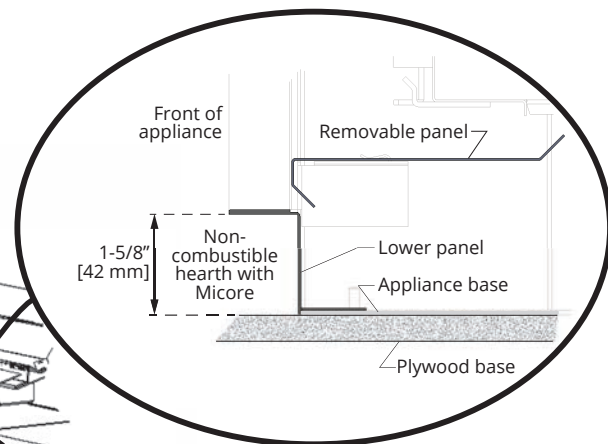
Section view, up the wall—detail



Finishing up the wall



Finishing with hearth



Section view, hearth—detail

Planning

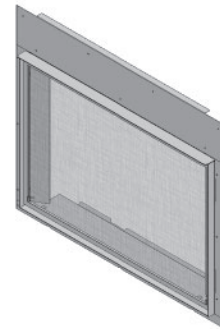
Framing—1130CIK Clean Install Kit

Appliance Depth in Framing—with 1130CIK Clean Install Kit

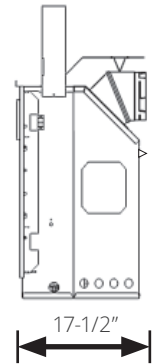
The 1130CIK installs to the appliance during the framing stage and the appliance's position is fixed in the framing. Wall finishes are then applied over top of the flanges and butted up to the frame of the 1130CIK.

NOTE

Non-combustible wall finish material is required above the unit, see page 26.

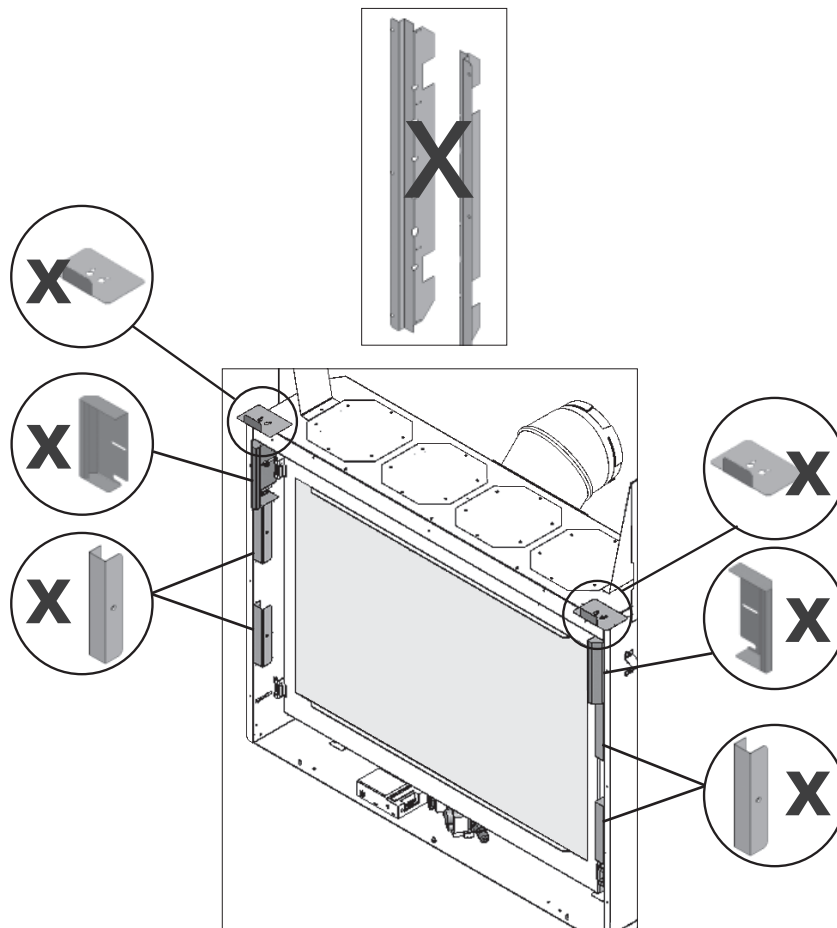


1130CIK Clean Install Kit



1130CIK Clean Install Kit,
fixed position

- side stud brackets supplied with appliance **not required**
- appliance **positioning brackets** supplied on appliance **not required**
- appliance **convection gap filler brackets** supplied on appliance **not required**
- appliance inboard side trim fixing brackets **not required**



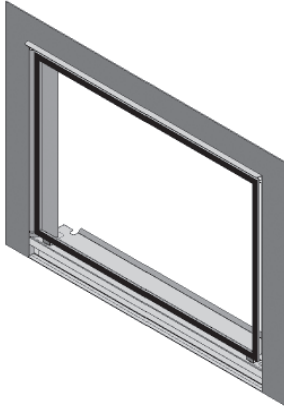
Planning

Framing—3-4 sided trims

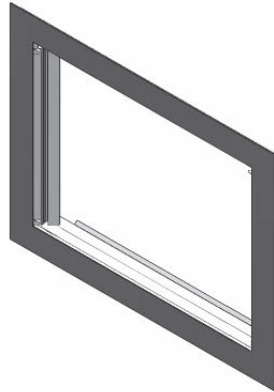
Using 3 or 4-Sided Trims

The 3-sided trims (1135, 1184) and 4-sided trim (1140v2) are fitted to the appliance once its installation and the wall finish application have been completed.

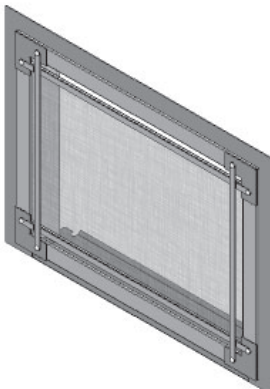
The side brackets provided loose with the appliance are required for those trims and fronts.



1135 3-sided trims



1140 4-sided trim



1184EC Edgemont
Craftsman trims

Hearth considerations

You need to know whether there will be a hearth or not in front of the appliance and some rules must be considered:

Without hearth

In the case where there is no hearth, the bottom of the appliance must be raised at least 4" inches above any combustible floor in front.

With hearth

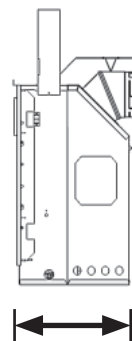
- The bottom of the appliance must be installed level with the top of the hearth surface in most cases other than with the 4-sided trim 1140 which hangs 1-1/2" below the bottom of the appliance.
- Only a non-combustible hearth can be installed in front of the appliance if within 4" vertically of the bottom of the appliance.
- The non-combustible hearth in front of the appliance, if within 4" of the bottom of the appliance, must include the 1/2" *Micore* insulation board provided to be used as thermal break between non-combustible and combustible material underneath.
- See Framing on pages 13-16 of this manual for hearth requirements details

Planning

Framing—3-4 sided trims

Appliance Depth in Framing—with 3 and 4-Sided Trims

- The 3 and 4-sided trims are adjustable to accommodate up to an additional 3/4" of tile or other finish overtop of the 1/2" non-combustible wall board.
- The appliance's position within the framing cavity may also be adjusted for depth in the framing to accommodate additional wall finish thickness "tucked" behind the trim.



1135 3-sided trims



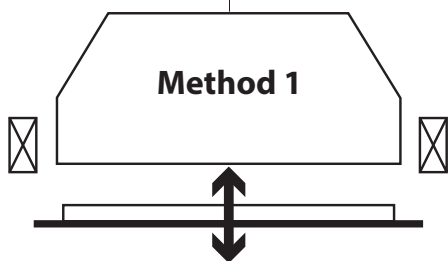
1140 4-sided trims



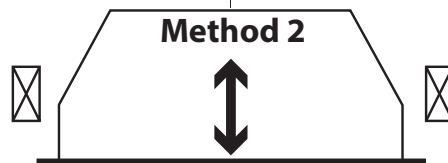
1184EC Edgemont Craftsman Trims

3 and 4-Sided Trims—adjustable position

Installation Method 1

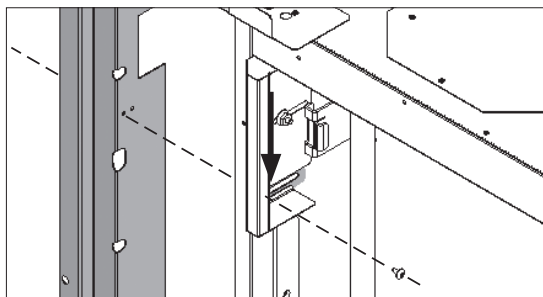


Installation Method 2



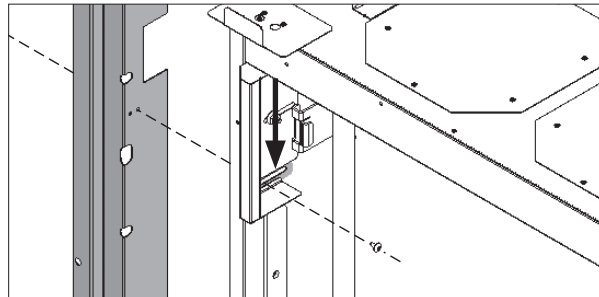
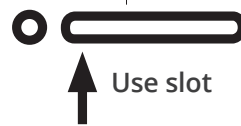
- wall finish thickness: **up to 3/4" + 1/2"** non-combustible board
- trim's depth on appliance can be adjusted to accommodate wall finish thickness

- side brackets fixing position



- wall finish thickness: **more than 3/4" + 1/2"** non-combustible board
- appliance's depth can be adjusted in the framing to accommodate additional wall finish thickness of up to approximately 2"

- side brackets fixing position



Planning

Wall Finish

Plan the Wall Finish

Non-Combustible Materials Specifications

Non-combustible materials are those which will not ignite and burn. Such materials are those consisting entirely of steel, iron, brick, tile, concrete, slate, glass or plasters, or any combination thereof.

Materials that are reported as passing ASTM E 136, *Standard Test Method for Behavior of Materials in a Vertical Tube Furnace* at 750 °C shall be considered non-combustible materials.

Combustible Materials Specifications

Materials made of or surfaced with wood, compressed paper, plant fibers, plastics, or other material that can ignite and burn, whether flame proofed or not, or plastered or unplastered shall be considered combustible materials.

Non-Combustible Cement Board

The H5 fireplace requires a 1/2" (13 mm) thick non-combustible cement board or equivalent, to be used as a wall surface immediately above the unit—see diagram for minimum coverage.

Extending the cement board well beyond the minimum shown will help avoid cracking due to differential expansion of materials.

Pre-drill cement board with oversized holes and do not over-tighten screws to avoid cracking due to heat expansion.

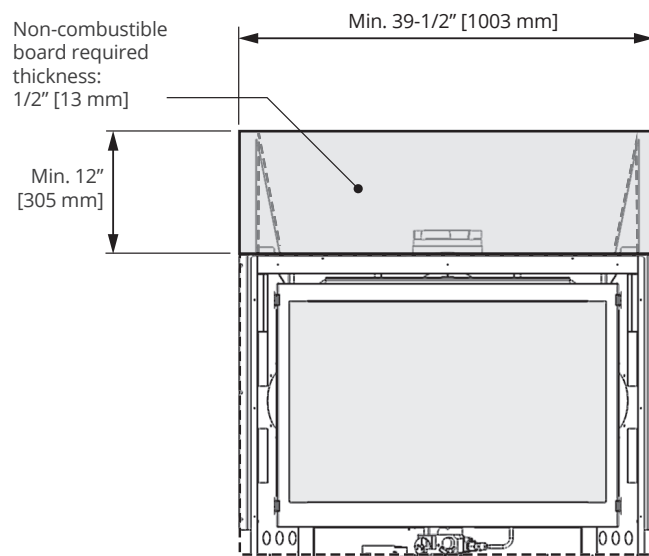
Standard gypsum wall board may be used beyond the perimeter of the cement board although it is preferable not to change materials to help avoid cracking.

Finishing Around Trims

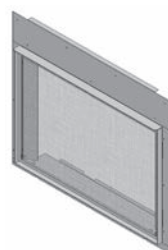
Additional non-combustible material such as tile, etc., may be applied over top of the wall surface or you may choose to leave it finished clean with no tile.

Be aware that a trim is always required and that the wall finish thickness must be taken into account for all installations other than the 1130FFK—Fixed Framing Kit and the 1130CIK—Clean Install Kit.

All the other trims, 1135, 1140v2 and 1184 will accept wall finish tucked under their edge up to approximately 2" thick.



Minimum cement board dimensions



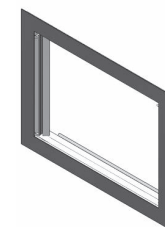
1130CIK
Clean Install Kit



1130FFK
Fixed Framing Kit



1135TSB
3-Sided Trims



1140FSBv2
4-Sided Trims



1184EC Edgemont
Craftsman Trims

Planning

Wall Finish

Cracking Wall Finishes

We recommend installing the optional HeatShift System to reduce the wall temperatures and minimize the possibility of cracking wall finishes. See Appendix D - HeatShift System on pages 84-102.

If a clean finish with no tile, etc. is desired, joints in the non-combustible board and the transition to gypsum board will require special attention if future cracking is to be controlled.

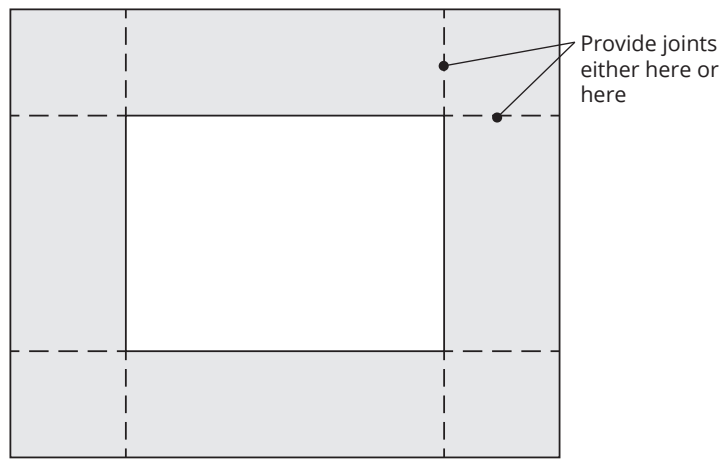
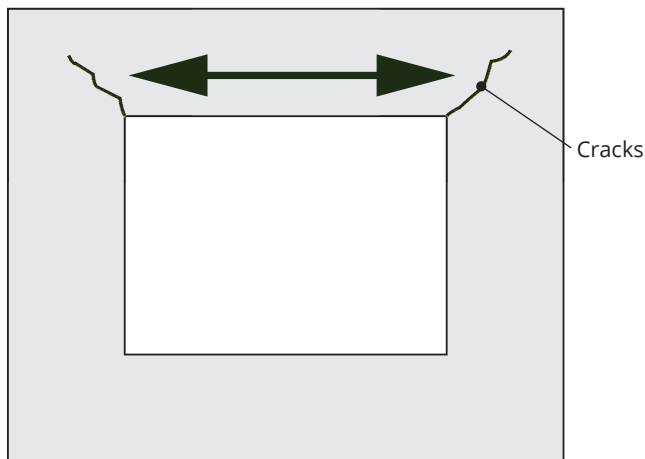
Shrinkage and differential movement of the framing and non-combustible wall board can transmit cracking through to tiles, etc.

Be aware that temperatures on the non-combustible wall surface above the appliance can exceed 200°F.

Below are some tips on how to best avoid any cracking:

- Allow materials to dry thoroughly before finishing the wall. Cement board has the ability to absorb up to 30 percent of its weight in water and may shrink as much as 1/8" over a 48" length when drying from a saturated condition. Running the fireplace for an extended period before final finishing will help drive out moisture.
- Always pre-drill screw holes through cement board and use screws with self-milling head.
- Always use mesh tape over joints.
- Always stagger joints in wall board.

- Behind joints, double up studs or use studs "on the flat" to add extra support to the joint. Adhesive on the backside of wall board behind any joints can help control differential movement.
- Use multiple, thinner coats of joint compound and allow to dry thoroughly between coats.
- Ensure framing materials are dry.
- After finishing the wall, introduce heat gradually to slowly dry any excess moisture rather than drying too fast.
- Avoid notching cement board or tiles around corners of window opening and instead provide a joint that intersects the corner.
- Avoid using large, one-piece slab of material with a cut-out in the middle as a surround for the fireplace. Expansion above the opening will cause cracking at inside corners. Provide a joint that intersects the inside corner to avoid cracking.



Top or Rear Facing Outlet

This unit is supplied with a top vent outlet which can be field-converted to a rear facing vent outlet. See Vent Outlet on page 41 for more information.

Vent Material

This unit is approved for installation using 4 x 6-5/8-inch co-axial direct vent pipe and accessories as listed in Approved Venting Components on pages 71-72. Follow the installation instructions supplied with the individual venting accessories.

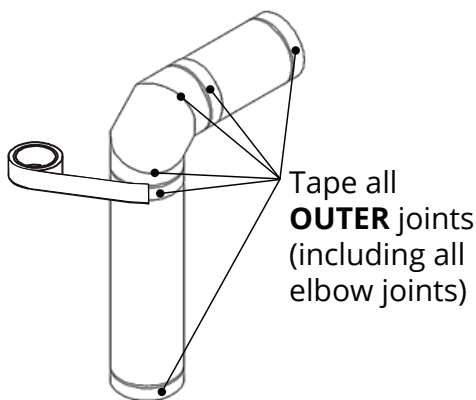
This unit may also be converted to co-linear (3 x 4 in) venting for use in solid-fuel burning fireplaces and chimneys using adapters and accessories—see Approved Venting Components on pages 71-72 and Co-linear Conversion on pages 35-39.

Vent Sealing

Seal all **outer** coaxial pipe and elbow joints, including sectioned elbow **outer** joints, using high quality, high temperature 2 inch wide self-adhesive aluminum foil tape (Nashua-322-2 brand or similar). Wrap the tape completely around all **outer** joints and press firmly to seal.

A high temperature black silicone sealant may be used in the **outer** joints as a substitute to foil tape.

Ensure all the pipe joints have a minimum of 1 ¼ inch overlap.

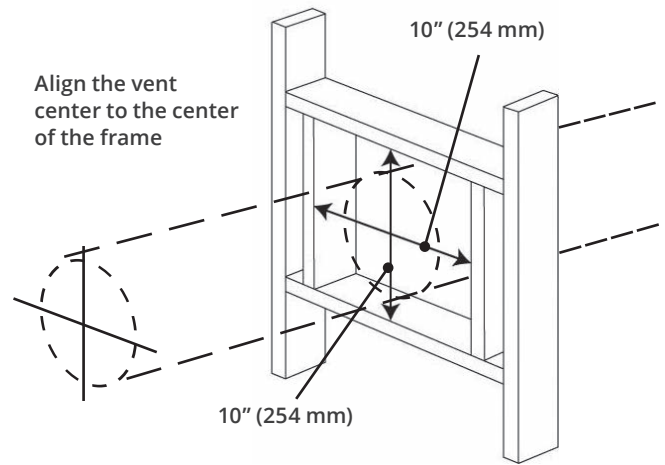


Wall Thickness

The appliance vent is suitable for penetrating a combustible wall assembly up to 8 inches in thickness. A non-combustible wall can be of any thickness up to the maximum horizontal run of vent pipe allowed for the particular installation.

Framing Vent in Combustible Walls & Ceilings

When penetrating through combustible walls and ceilings, frame a minimum of 10 in x 10 in opening and ensure that the insulation is kept clear of the vent pipe using either a wall thimble or an attic insulation shield. Follow the installation instructions supplied with the individual venting components.



Important Installer Notice – Weather Sealing & Vapor Barriers

It is the installer's responsibility to ensure that vent installations through exterior walls are caulked and weatherproofed in such a manner as to:

- Prevent rain water from entering the wall from the weather side by adequately caulking the outer vent plate to the exterior wall surface.
- Prevent moisture inside the home from penetrating into the wall structure by ensuring the inside wall plate is adequately sealed to the inside vapor barrier.
- Prevent rain water and moisture from entering the walls by sealing the joints between the outer vent tube and the inner and outer wall plates.

We recommend the use of a high quality polyurethane sealant.

All horizontal pipe runs must be graded 1/4 inch per foot upwards in the direction of the exhaust flow. The final pipe length, when terminating through the wall may be graded downwards slightly to prevent water migration.

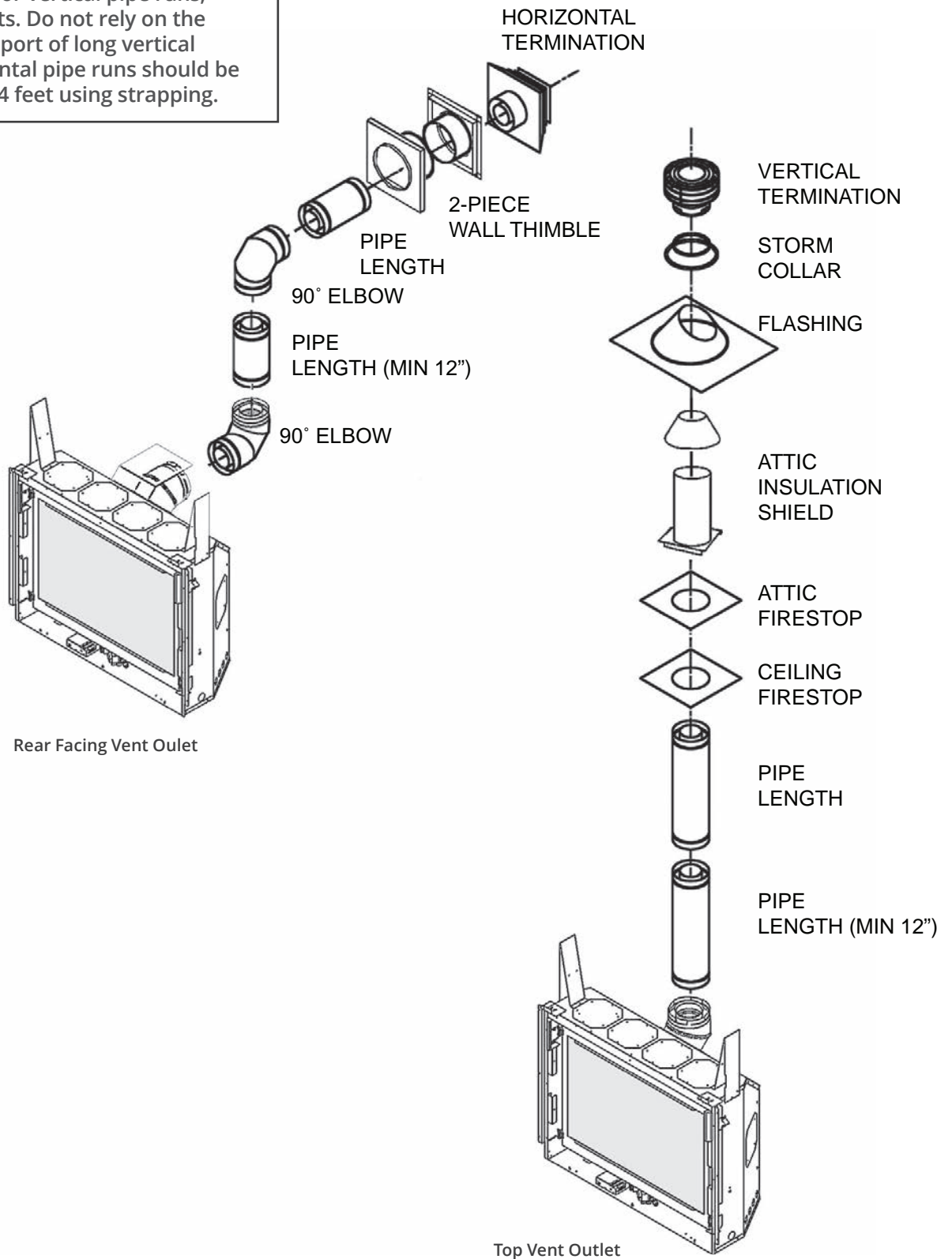
Venting

Co-axial

Typical Co-axial Venting Components

IMPORTANT

Provide support for vertical pipe runs, particularly offsets. Do not rely on the appliance for support of long vertical pipe runs. Horizontal pipe runs should be supported every 4 feet using strapping.




How to Read the Venting Chart

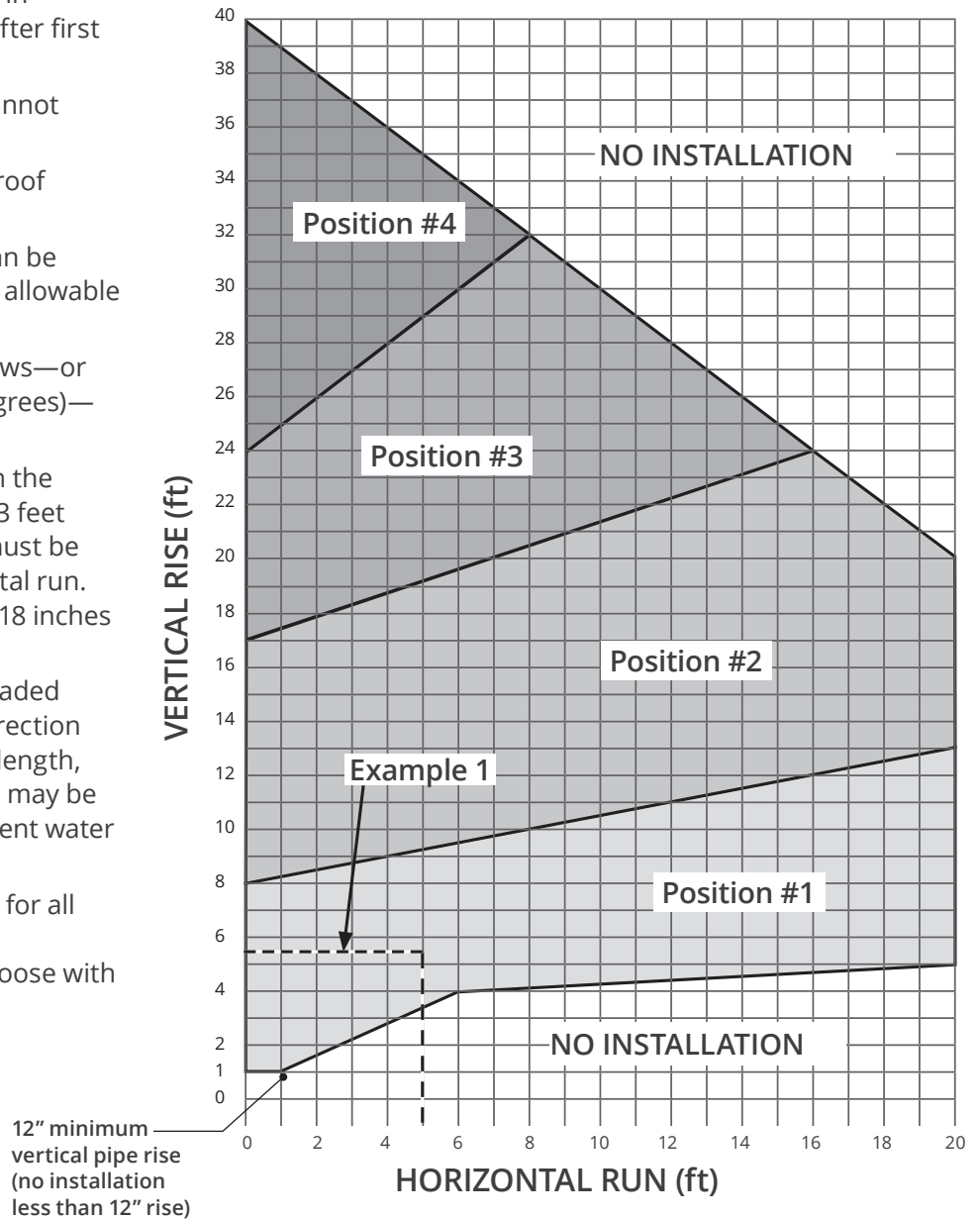
The chart below applies to co-axial roof or wall termination.

1. Minimum 12" vertical rise required in venting system directly of unit or after first elbow as shown on following page.
2. The total length of the vent pipe cannot exceed 40 feet.
3. The minimum vertical height with roof termination is 6 feet.
4. Any combination of rise and run can be used as long as they are within the allowable limits shown on the chart at right.
5. A maximum of 4 x 90 degrees elbows—or equivalent (2 x 45 degrees = 90 degrees)—can be used.
6. Each 90 degrees elbow installed on the horizontal plane is equivalent to a 3 feet horizontal pipe; therefore, 3 feet must be subtracted from allowable horizontal run. (45 degrees elbow is equivalent to 18 inches horizontal pipe.)
7. All horizontal pipe runs must be graded 1/4 inch per foot upwards in the direction of the exhaust flow. The final pipe length, when terminating through the wall may be graded downwards slightly to prevent water migration.
8. A restrictor adjustment is required for all installations—see next section.

Note: The restrictors are shipped loose with the appliance.

Venting Chart

Allowable Co-Axial Vent Configurations with restrictor positions 

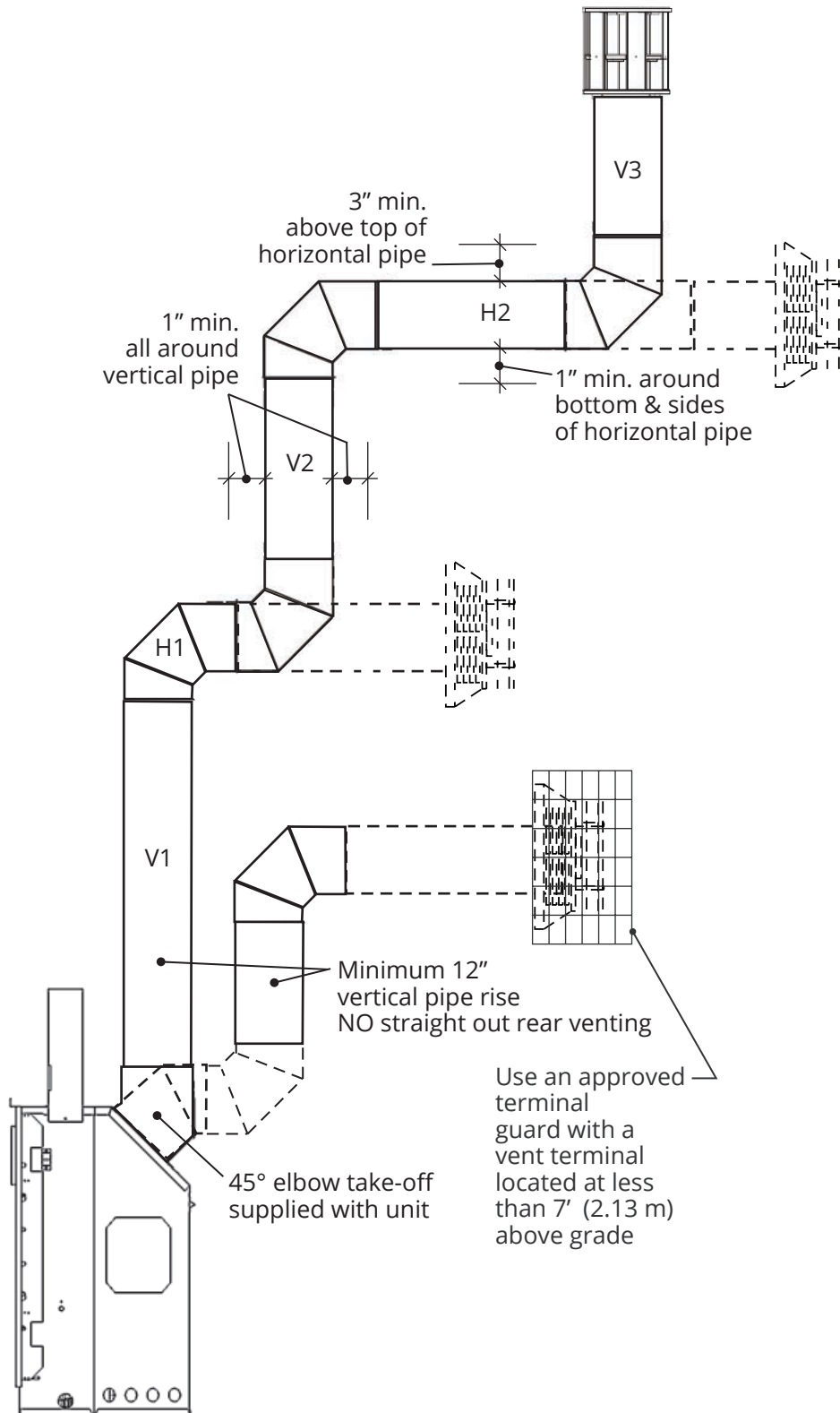


Example 1
 $V \text{ Value} = V1 (3') + V2 (1.5') + V3 (1') = 5.5'$
 $H \text{ Value} = H1 (3') + H2 (2') = 5'$
 Restrictor position #1 required

Venting

Co-axial

4 x 90° ELBOWS MAXIMUM
(or equivalent)



Restrictors

Install the restrictors in the roof of the firebox behind the top liner panel. Adjust the restrictors before installation of the top liner panel. Should subsequent adjustment be required, you will need to remove the top liner panel—see page 53.

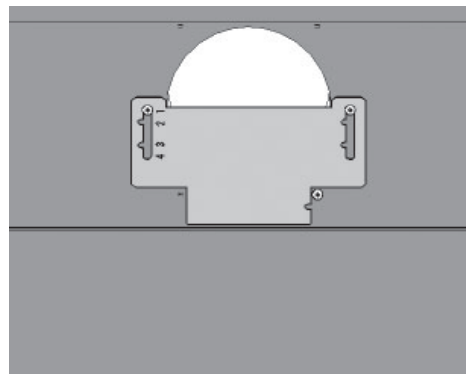
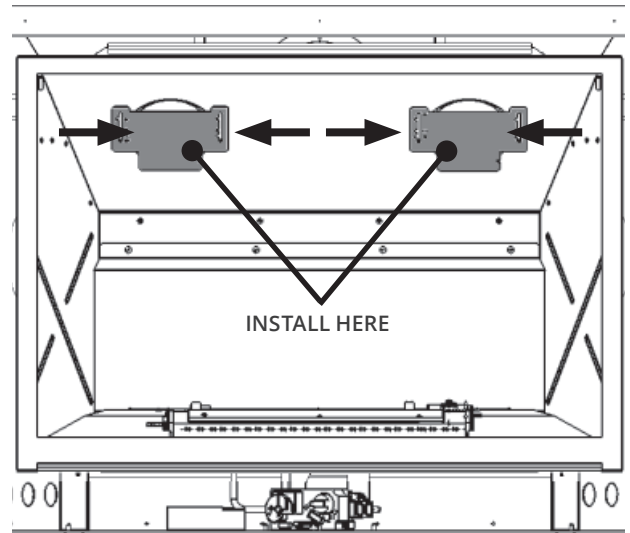
ALL INSTALLATIONS REQUIRE RESTRICTORS for improved flame picture and performance. This unit is supplied with restrictors having four different positions or settings. The level of restriction required depends on the vertical rise in the venting system and, to a lesser degree, the horizontal run and number of elbows.

The amount of restriction is based on laboratory tests. The ideal restrictor position may vary slightly, especially when the vent pipe length is near the limits of the acceptable configurations for each type of restrictor.

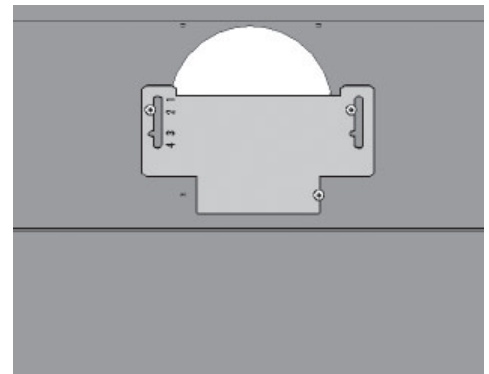
The chart on the previous page shows the vent restrictor positions required relative to the length of the vent pipe.

To set the restrictors position:

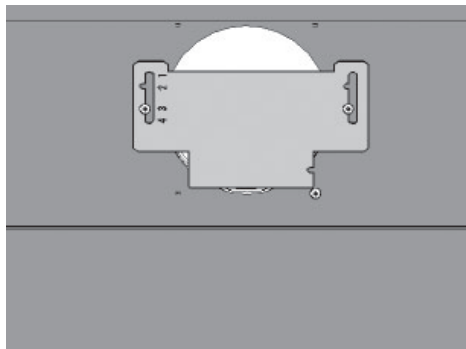
1. Establish the required position of the restrictors looking up the venting table on the previous page.
2. Fasten the restrictors using the screws (2) already installed on each side of **the firebox roof ports**.
3. Slide the restrictors in the required position.
4. Tighten the screws.



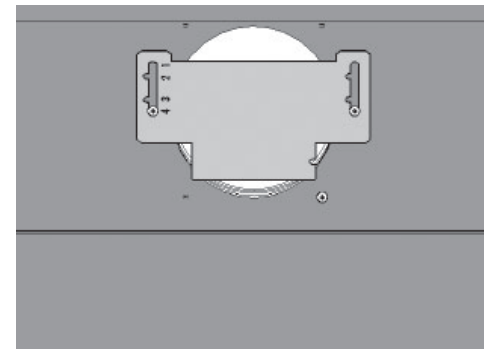
Position #1



Position #2



Position #3



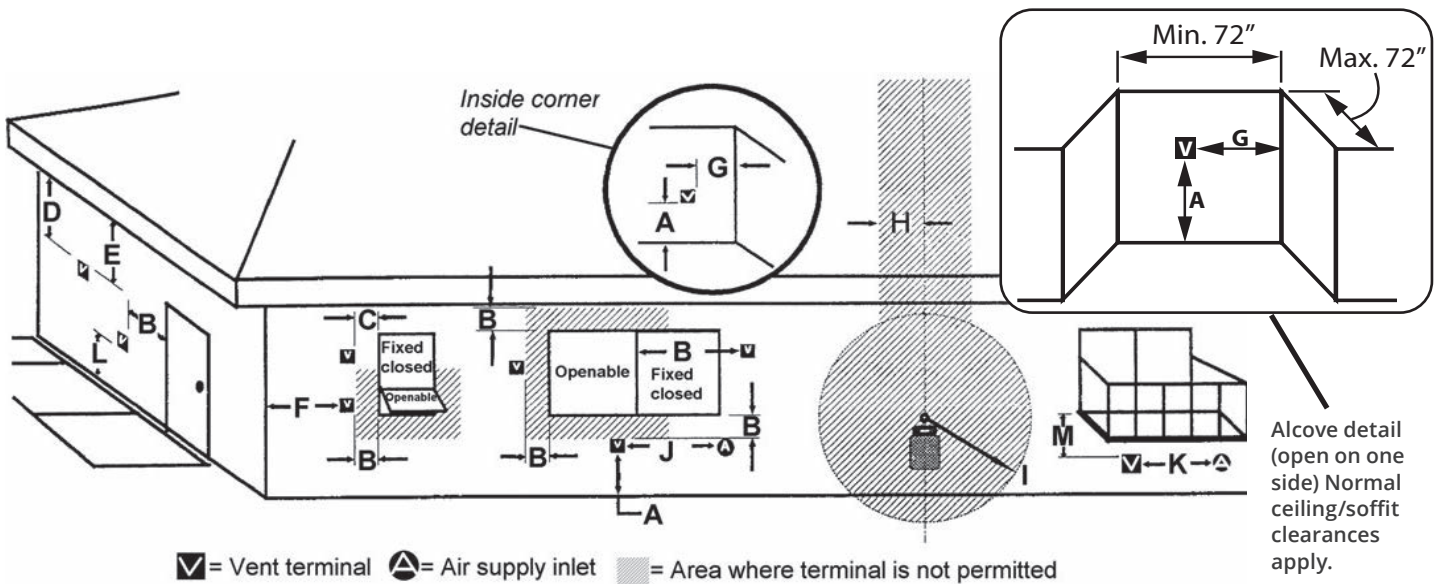
Position #4

Horizontal Vent Termination Location

- The vent terminal must be located on an outside wall or through the roof.
- This direct vent appliance is designed to operate when an undisturbed airflow hits the outside vent terminal from any direction.
- The minimum clearances from this terminal that must be maintained when located on an outside wall are shown in figure below. Any reduction in these clearances could result in a disruption of the

airflow or a safety hazard. Local codes or regulations may require greater clearances.

- The vent terminal must not be recessed into a wall or siding.
- The vent terminal should be positioned where any snowdrifts will not cover it.
- Sidewall vent terminations require a terminal guard such as 658TG or 845TG when accessible—within 7' of ground.



KEY	VENT TERMINAL LOCATIONS - MINIMUM DISTANCES	MINIMUM CLEARANCE	
		Inches	Cm
A	Clearance above grade, verandah, porch, deck or balcony	12	30
B	Clearance to window or door that may be opened	12	30
C	Clearance to permanently closed window (recommended to prevent condensation on window)	12	30
D	Vertical clearance to ventilated soffit located above the terminal within a horizontal distance of 2 feet (60 cm) from the center-line of the terminal	18	46
E	Clearance to unventilated soffit	12	30
F	Clearance to outside corner (measured from the center of vent)	12	30
G	Clearance to inside corner (measured from the center of vent)	12	30
H	Horizontal clearance to center-line of meter/regulator assembly located within 15 feet (4.6 m) below the terminal	36	90
I	Clearance to service regulator vent outlet	36	90
J	Clearance to non-mechanical air supply inlet to the building or the combustion air inlet to any other appliance	12	30
K	Clearance to a mechanical air supply inlet	72	180
L	Clearance above paved sidewalk or a paved driveway located on public property Note: A vent must not terminate directly above a sidewalk or paved driveway, which is located between two single-family dwellings and serves both dwellings. THIS DOES NOT APPLY to direct vent, non-condensing appliances in the Province of Ontario.	84	210
M	Clearance under a verandah, porch, deck or balcony Only permitted if veranda, porch, deck or balcony is fully open on a minimum of 2 sides beneath the floor	12	30

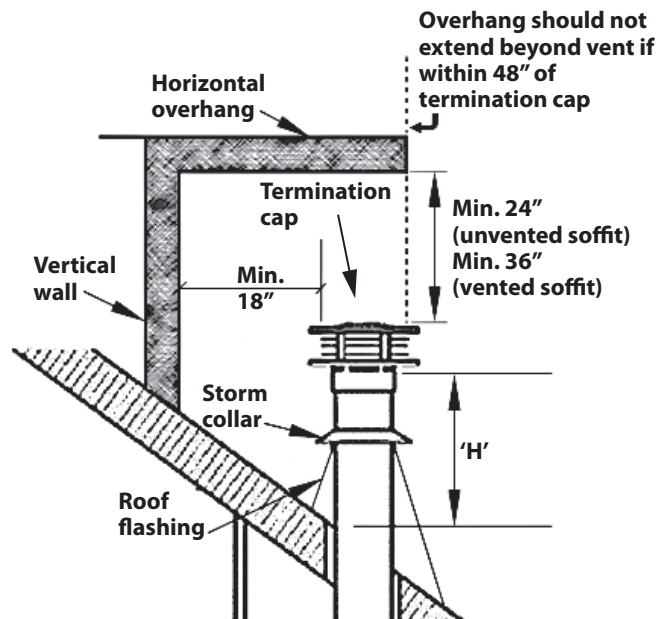
Note: Local codes and regulations may require different clearances.

Venting

Co-axial

Vertical Vent Termination

Roof Pitch	Minimum "H" (feet)
Flat to 7/12	1'
Over 7/12 to 8/12	1.5'
Over 8/12 to 9/12	2'
Over 9/12 to 10/12	2.5'
Over 10/12 to 11/12	3.25'
Over 11/12 to 12/12	4'
Over 12/12 to 14/12	5'



Venting

Co-linear Conversion

Applications

This appliance can be converted to install as a co-linear application. The co-linear portion of the vent system may only be installed within a solid-fuel burning fireplace and chimney.

This appliance must not be connected to a chimney flue serving a separate solid-fuel burning appliance.

Types of Installations

- Installation into an existing fireplace
- Partial installation into an existing fireplace
- Installation into an adjacent chimney

See the following pages for each installation details.

Rules for Co-Linear Venting

- Maximum 40 feet vertical pipe
- Minimum 10 feet vertical
- Maximum offset 8 feet with liners at minimum 45 degrees from horizontal plane
- Restrictor: Use #4 position for all co-linear venting applications.

NOTE

Co-linear flexible aluminum venting liners should be professionally inspected periodically for corrosion and damage and replaced when necessary. If the installation does not allow for future inspection or replacement of the flexible aluminum liners, then stainless steel vent liners are recommended.

Venting

Co-linear Conversion

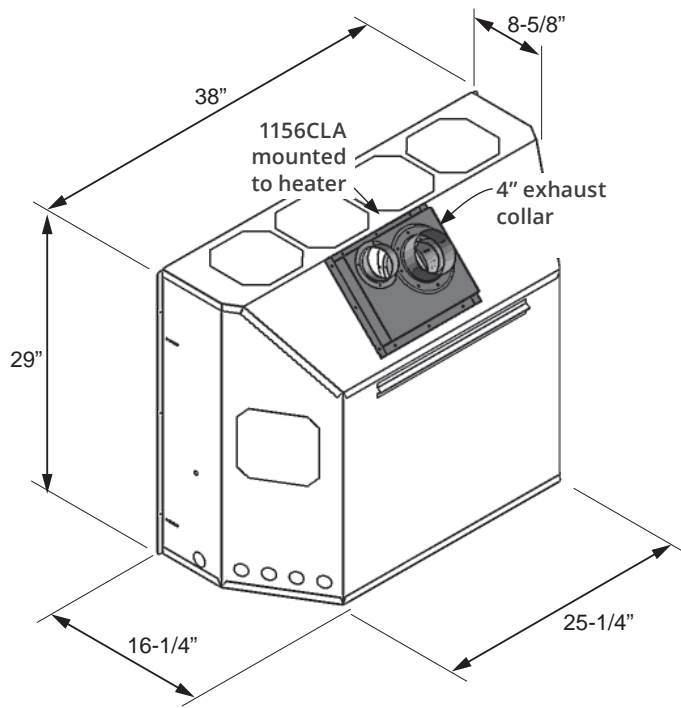
Installing Into an Existing Fireplace

Required accessories:

- Valor Co-axial to co-linear adapter 1156CLA;
- 2 lengths of 2-ply, flexible chimney liner approved for venting gas appliances:
 - 1 x 3-inch diameter for air inlet and
 - 1 x 4-inch diameter for exhaust;
- Co-linear termination kit 3 x 4 and flashing or co-linear to co-axial adapter and either high wind vertical vent terminal cap or a low profile vertical termination.

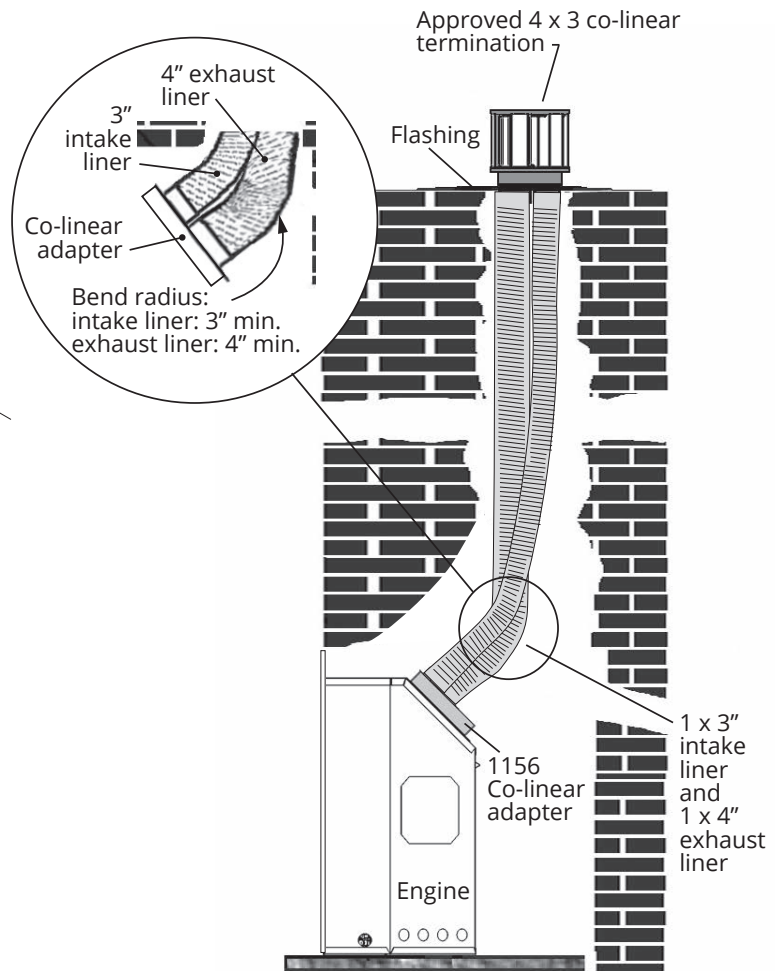
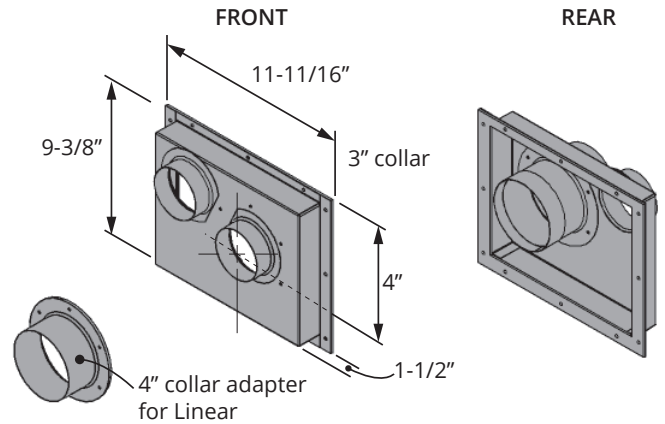
Note: A 3" diameter exhaust liner may be used if conditions will not allow for the 4" exhaust liner. Cold start-up problems may be experienced however when using a 3" exhaust liner.

Firebox zero clearance standoffs supplied with the heater are not required for this application.



Dimensions with Co-linear Adapter 1156CLA

1156CLA Co-Linear Vent Adapter



Co-linear installation into existing F/P

Venting

Co-linear Conversion

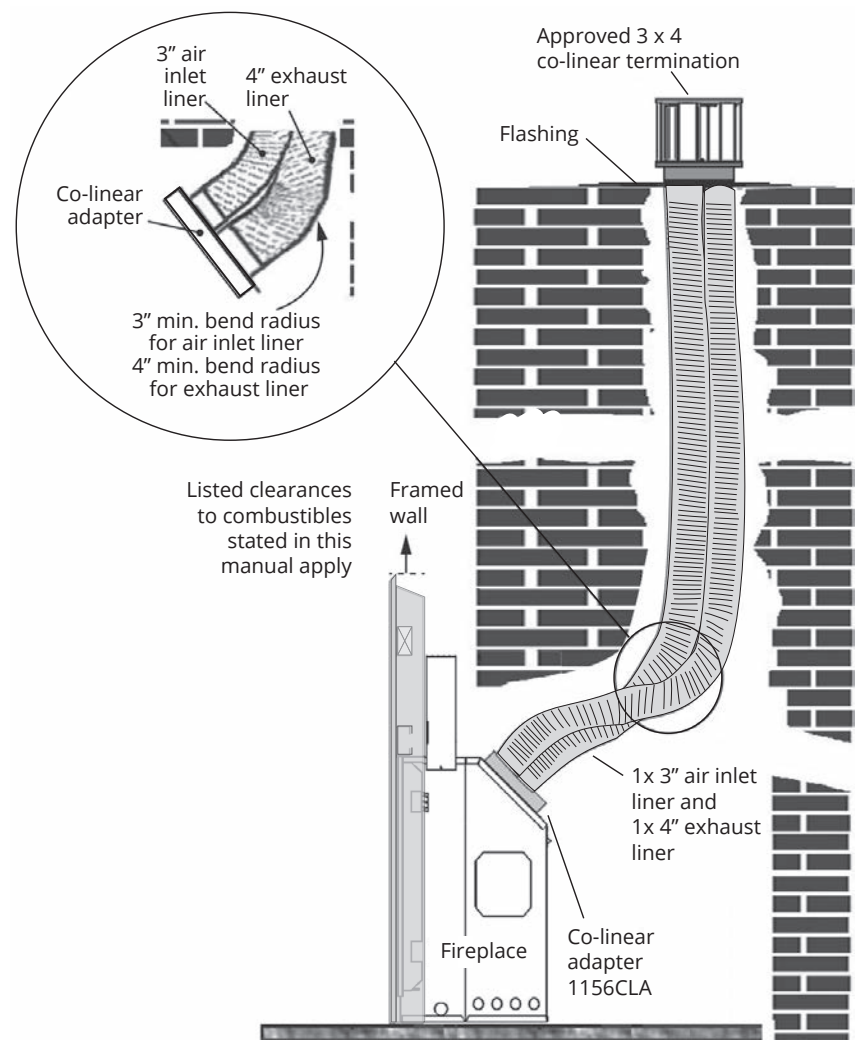
Partial Installation Into an Existing Fireplace

Required accessories:

- Co-axial to co-linear adapter at appliance Valor 1156CLA, 46DVA-GCL34 or equivalent;
- 2 lengths of 2-ply, flexible chimney liner approved for venting gas appliances:
 - 1 x 3-inch diameter for air inlet and
 - 1 x 4-inch diameter for exhaust;
- Co-linear termination kit 3 x 4 and flashing or co-linear to co-axial adapter and either high wind vertical vent terminal cap or a low profile vertical termination.

Note: A 3" diameter exhaust liner may be used if conditions will not allow for the 4" exhaust liner. Cold start-up problems may be experienced however when using a 3" exhaust liner.

This appliance must be completely framed and maintain clearances to combustibles as shown in this manual.



Co-linear installation on appliance partially into existing fireplace

Venting

Co-linear Conversion

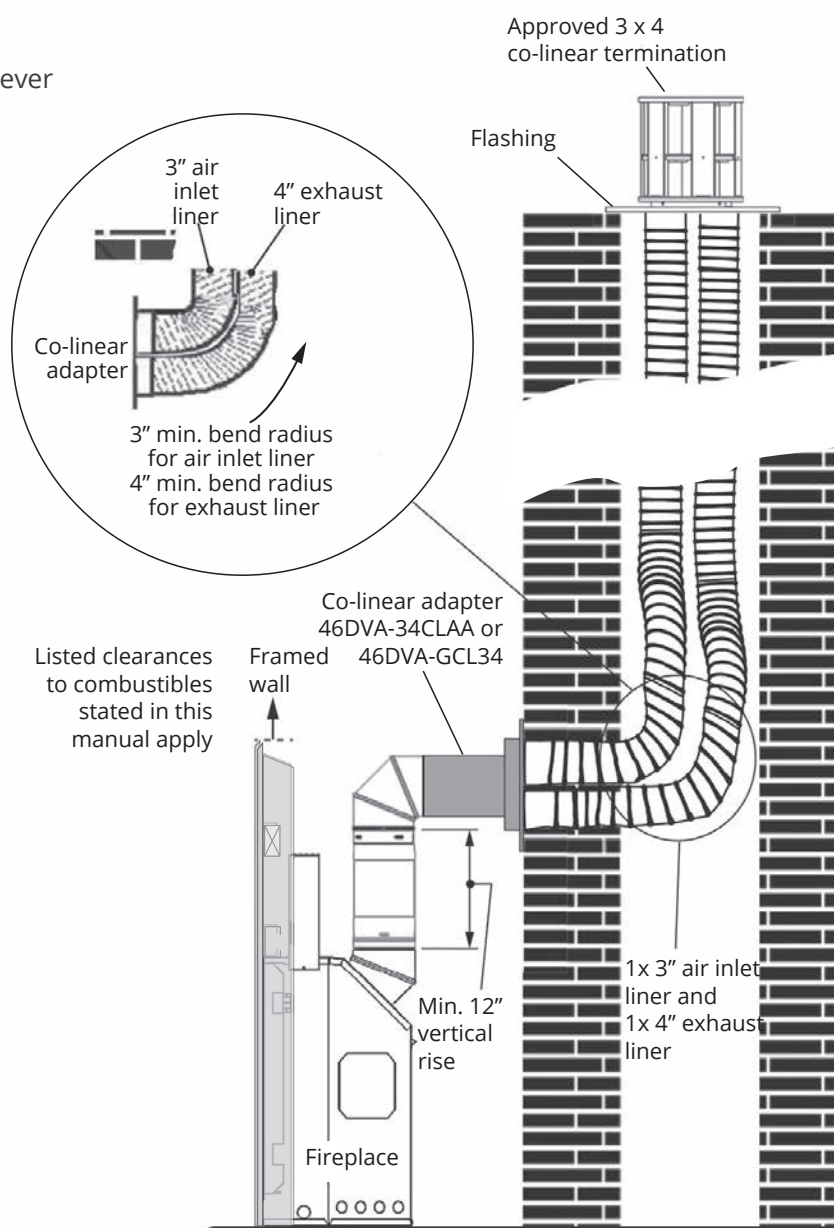
Installation Into an Adjacent Chimney

Required accessories:

- Co-axial to co-linear adapter at appliance 46DVA-34CLAA, 46DVA-GCL34 or equivalent;
- 2 lengths of 2-ply, flexible chimney liner approved for venting gas appliances:
 - 1 x 3-inch diameter for air inlet and
 - 1 x 4-inch diameter for exhaust;
- Co-linear termination kit 3 x 4 and flashing or co-linear to co-axial adapter and either high wind vertical vent terminal cap or a low profile vertical termination.

Note: A 3" diameter exhaust liner may be used if conditions will not allow for the 4" exhaust liner. Cold start-up problems may be experienced however when using a 3" exhaust liner.

This appliance must be completely framed and maintain clearances to combustibles as shown in this manual.



Co-linear installation into adjacent existing chimney

Venting

Co-linear Conversion

Typical Co-linear Venting Components

Co-axial to Co-linear Appliance Adapters

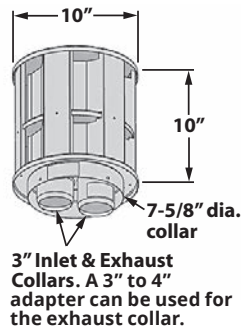


46DVA-GCL34

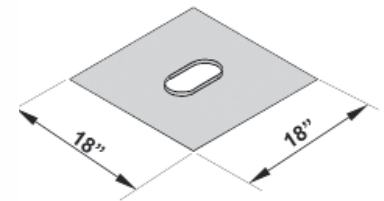


46DVA-34CLAA

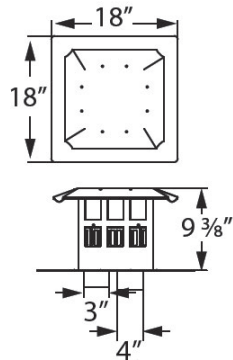
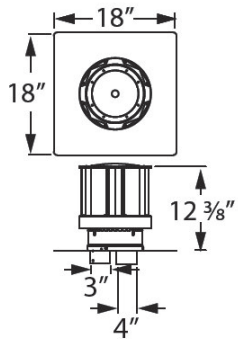
Co-linear Terminal Configurations



Co-linear Terminal (typical)

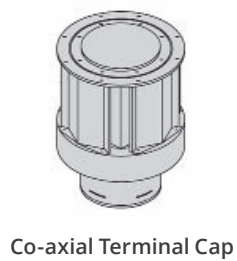


Flashing Kit



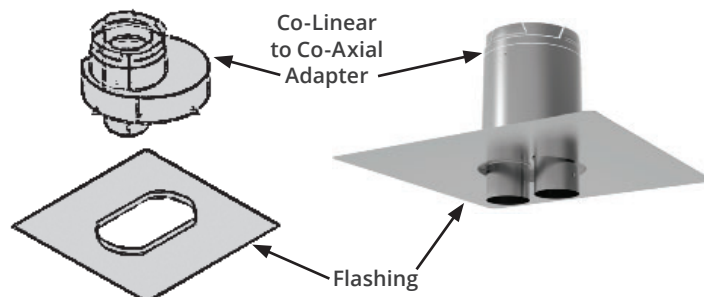
Co-linear Kits

Alternate Co-linear to Co-axial Conversion at Terminal



Co-axial Terminal Cap

With...



Appliance Preparation Stand-offs & Heat Shields

Unpack Appliance

Caution

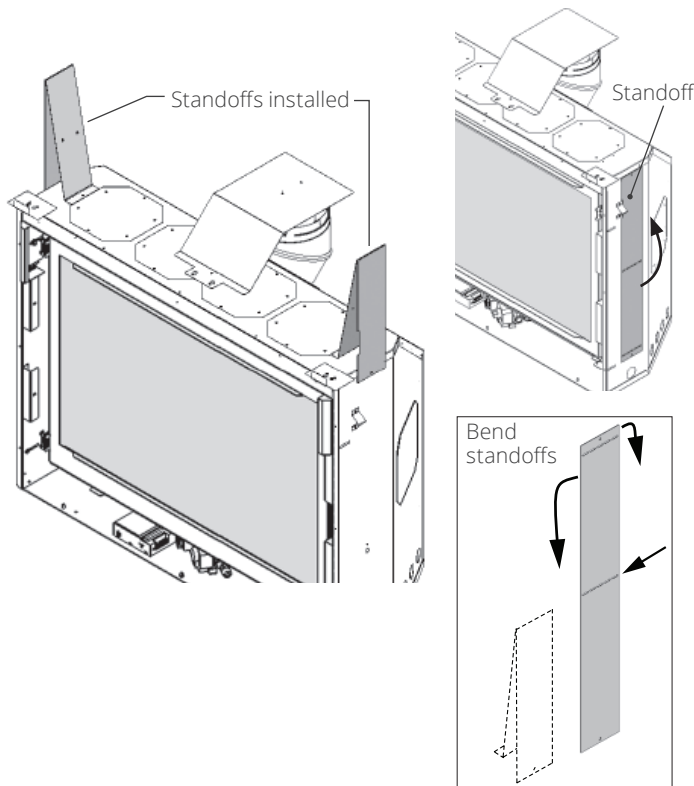
Beware of sharp edges! Wear gloves!

1. Remove cardboard wrapping and wood pallet from appliance and discard or recycle.
2. Unpack any loose items packed around appliance.
3. **Verify that you have all the components required for the installation, including:**
 - approved non-combustible cement board;
 - liners and fuel beds (packed separately);
 - trim kit with barrier screen;
 - venting components and accessories;
 - HeatShift System components, if used;
 - electrical components, if necessary.

Install Standoffs

The standoffs are supplied flat on the firebox sides and secured at one end.

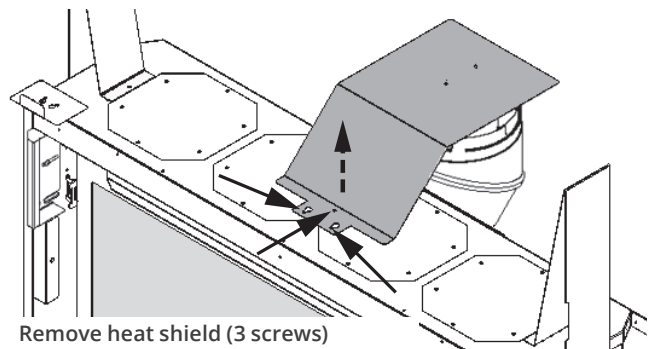
Swivel up the flat standoffs, bend them as shown and screw their loose end to the top of the firebox.



Remove Heat Shield

Remove the heat shield from the top of the appliance case (3 screws).

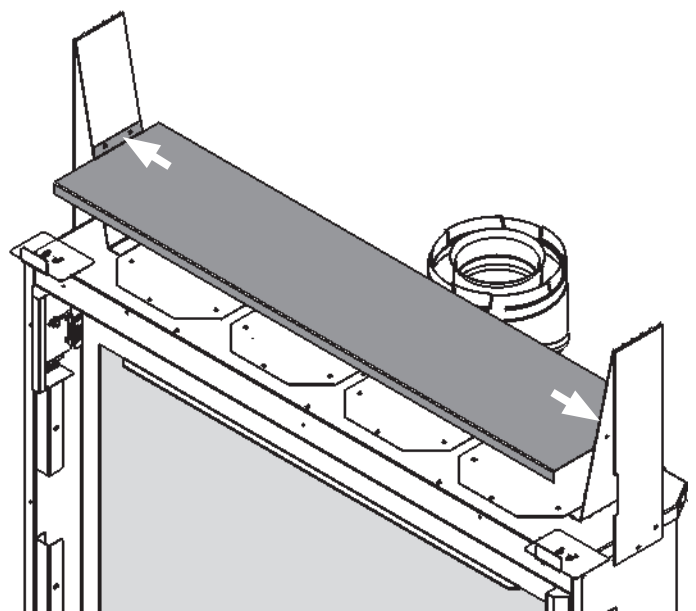
If using the top outlet or HeatShift, discard the shield. If using the rear outlet, keep the shield to reinstall after converting the top to rear outlet—see next page.



Stand-off Heat Shield (if required)

This heat shield is required when a built-in recess is framed into the wall above zero clearance stand-offs—see page 17. This shield is provided with the appliance.

Secure the shield to each top stand-off using 2 screws as shown. Note that this shield is not used with the HeatShift system.



Appliance Preparation

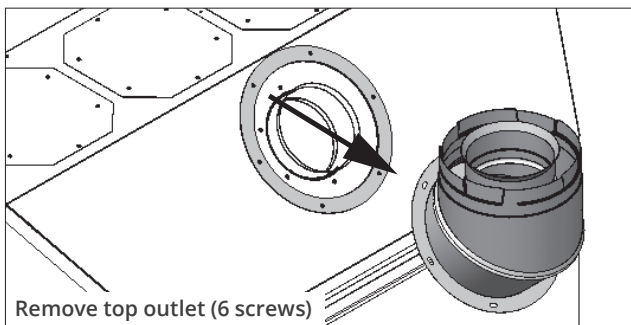
Vent Outlet

Convert Vent Outlet (if required)

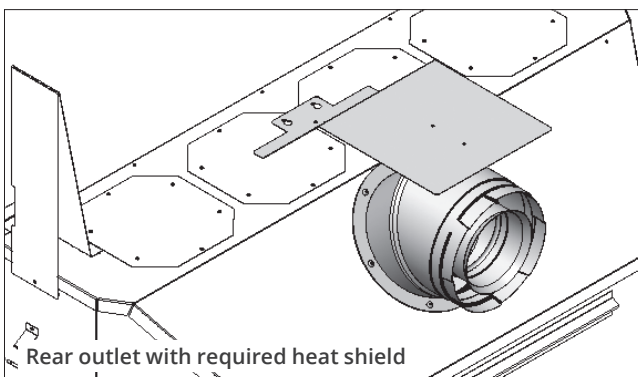
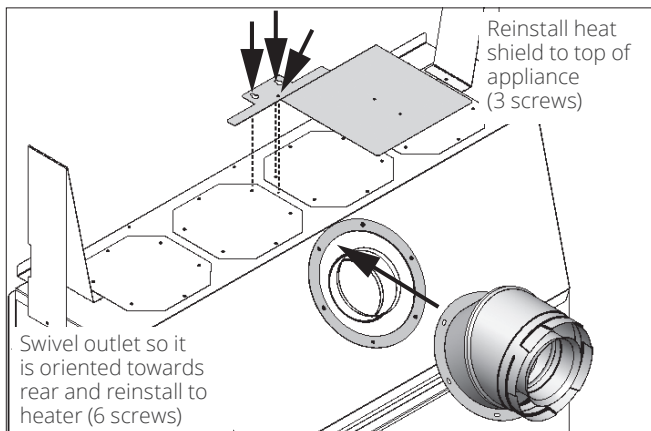
This unit is supplied with a top vent outlet which can be field-converted to a rear vent outlet.

Please note that the rear outlet requires the installation of the heat shield on top of the heater case as indicated *unless fitted with optional HeatShift.*

1. Remove top outlet collar (6 screws).



2. Swivel collar and install as a rear outlet (6 screws).
3. Reinstall heat shield to top of appliance case (3 screws).



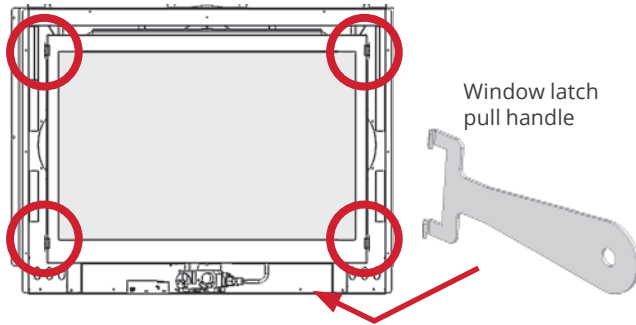
Appliance Preparation

Window Removal

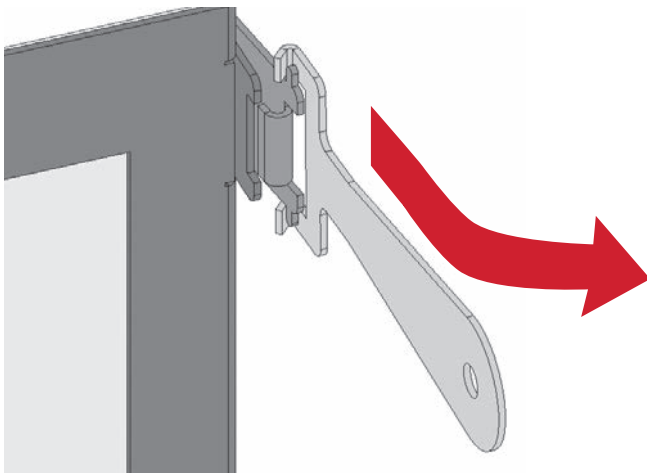
Remove Window

The window is held in place by 4 spring-loaded latches, 2 on each side of the firebox. A handle is necessary to unhook the latches.

1. Locate the handle on the bottom front of the fireplace. It is held in place by *Velcro*. Pull it out.



2. Locate the four latches around the window frame.
3. Starting with the bottom latches, hook the pull handle to the latches' vertical tabs and firmly pull forward and outward to unhook. Repeat with the top latches.



4. Carefully lift up the window and pull it outward.
5. Set it aside in a safe place to avoid damage.
6. Reattach the handle to its *Velcro* at the bottom of the fireplace so it is easy to find later.

For reinstallation, see page 63.

Appliance Preparation

Optional HeatShift

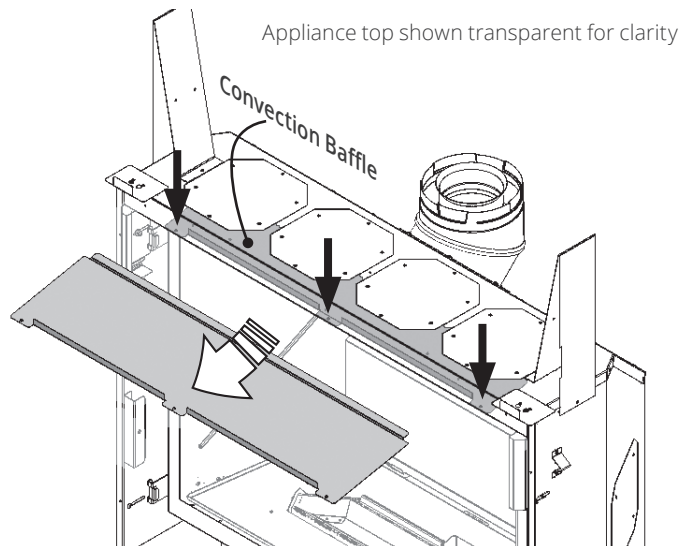
ONLY If You Are Installing HeatShift

Perform the following steps and see Appendix D - HeatShift System on pages 84-102 for more details regarding HeatShift planning and installation.

Remove Convection Baffle

To be effective, the HeatShift system requires that an internal convection baffle located above the firebox inside the appliance case be removed to allow the hot air flow to convect upwards into ducts installed on the fireplace.

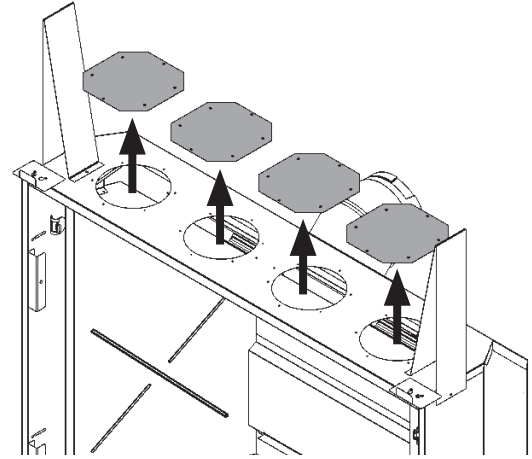
Remove the convection baffle from the appliance. It is held in place by 3 screws located right behind the upper edge of the fireplace opening. Recycle this panel as it is no longer needed.



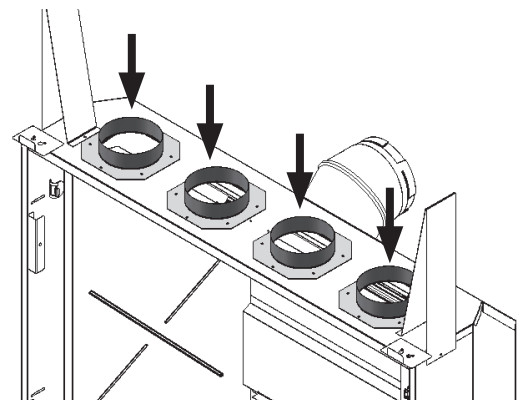
Remove convection baffle—1100M

Install HeatShift Take-Off Collars

1. Remove the four cover plates on top of the appliance case (6 screws each).



2. Install the four take-off collars on the holes on top of the appliance's case (6 screws each).



WARNING

The H5 fireplace requires the removal of the internal convection baffle for the HeatShift system to function properly—read instructions carefully!

WARNING

All FOUR (4) takeoffs MUST BE CONNECTED TO PLENUM(S).

Installation

Electrical Wiring

Install Electrical Wiring (if needed)

This section provides information to install the electric pre-wiring required for use with the 1195CFK Circulating Fan Kit or GV60WIFI WiFi module.

We recommend connecting the electrical box even if the optional accessories have not been purchased. It is much easier to wire before the trim is installed and the wall finish is applied.

WARNING

All wiring must be done by a qualified electrician in accordance with local codes or, in the absence of local codes, with the National Electrical Code, ANSI/NFPA 70 or the Canadian Electrical Code, CSA C22.1.

Electrical Requirements

1195CFK—120 V, 60 Hz, less than 1 amp

GV60WIFI—6 VDC (from receiver), less than 1 amp

General Requirements

Both optional 1195CFK and GV60WIFI kits require a GV60VM power supply (V-module), which includes a three-prong grounded plug to plug into a grounded receptacle, to be installed within the fireplace enclosure by a qualified electrician.

Notes

- Wiring within the receptacle enclosure must have a minimum 90°C temperature range.
- Wire nuts not included.
- The 1195CFK kit includes a junction box and receptacle as well as a V-module. See instructions package with the kit.
- The GV60WIFI kit includes a WiFi module only. It requires H5/6-WPK—WiFi Power Kit J-box and GV60VM—V-module (all sold separately) if the fan kit is not installed. See instructions packaged with the kit.

WARNING

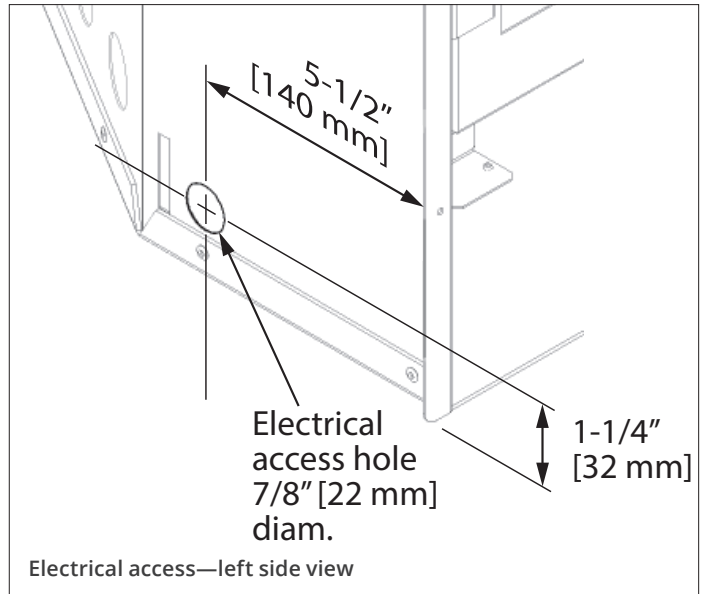
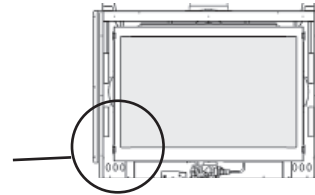
NO ELECTRICAL CONNECTION ALLOWED for any outdoor installation!

Installation

Thread the power supply cable through the cable clamp (not provided) and through the hole in the lower left hand side of the fireplace casing. Do not tighten the clamp yet.

If simply roughing in power at this point, ensure wiring is not live or terminate at this location in a temporary metal junction box using wire nuts to cap wires.

Electrical wiring through the left hand side of the appliance case

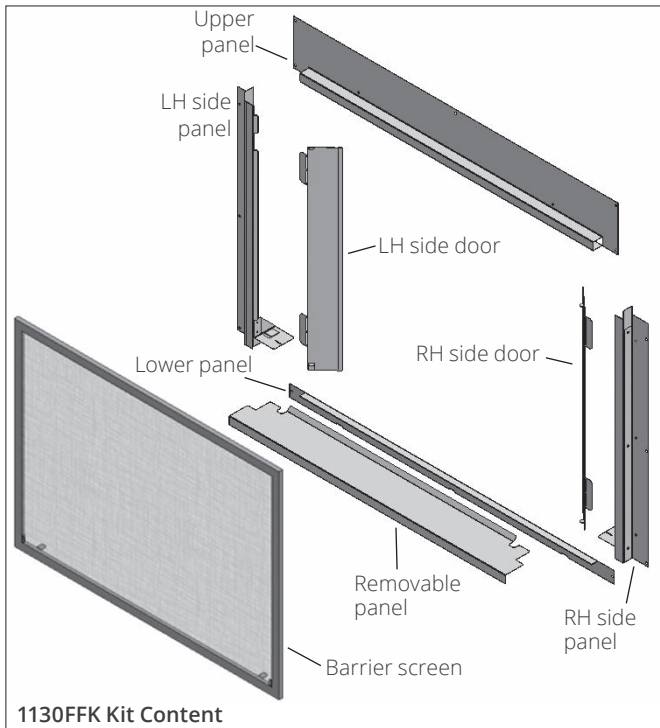


Installation

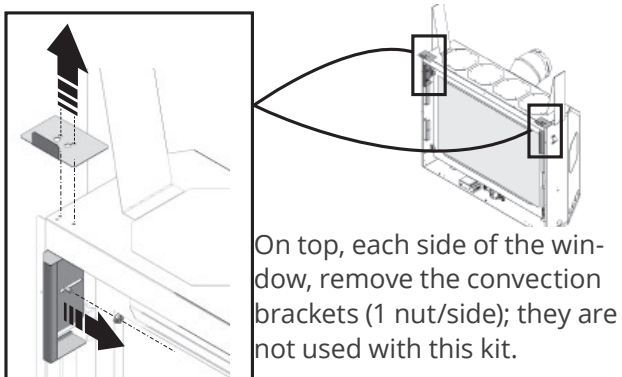
With 1130FFK—Fixed Framing Kit

Install Appliance for Fixed Framing Kit

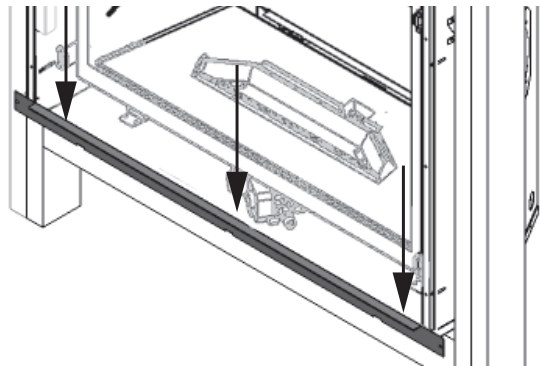
1. Unpack the 1130FFK kit checking that you have all the pieces on hand.



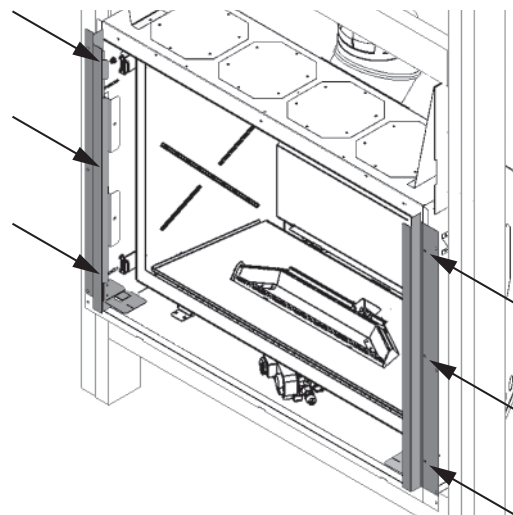
2. On top of appliance's case, in front of the stand-offs, remove positioning brackets (2 screws each).



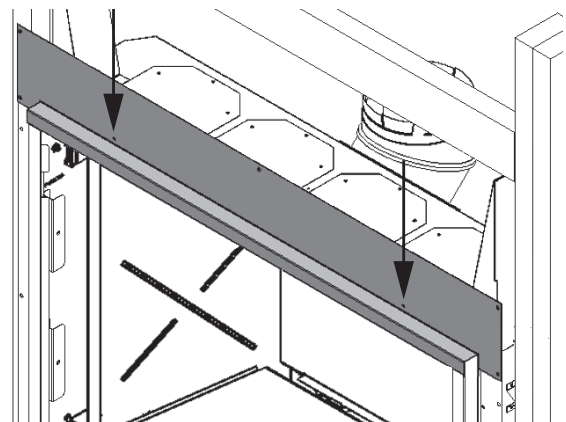
3. At bottom of appliance case, install the lower panel provided with the kit, as indicated (3 nuts).



4. On the appliance, install the side panels as indicated (3 screws per side).



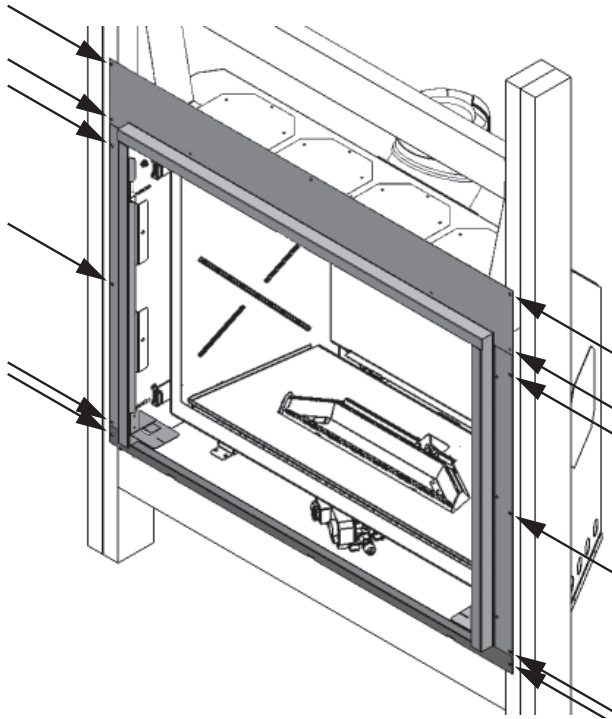
5. Install the upper panel as indicated (2 screws).



Installation

With 1130FFK—Fixed Framing Kit

6. Slide the appliance into the framing and secure it to the studs on each side (6 fixing points per side).

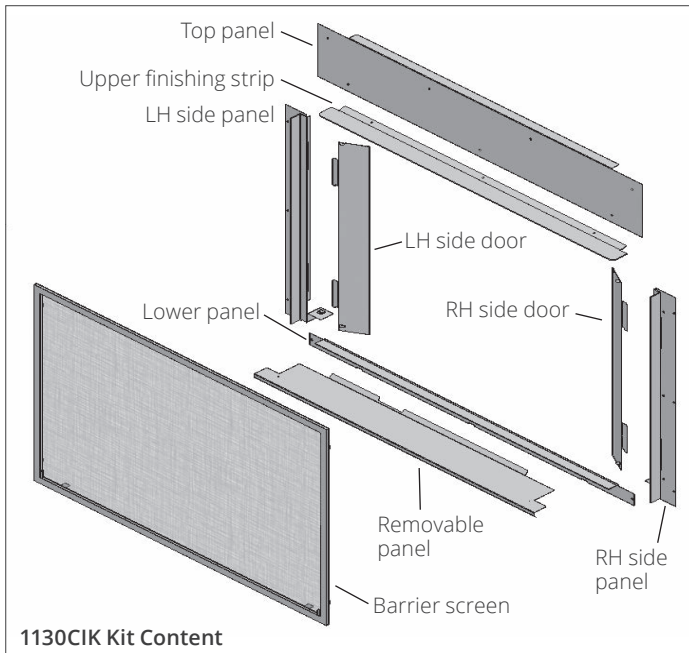


7. Set aside the side doors, removable panel and barrier screen to install later when the appliance's set-up and wall finish application are completed.
8. Continue the installation of the fireplace.

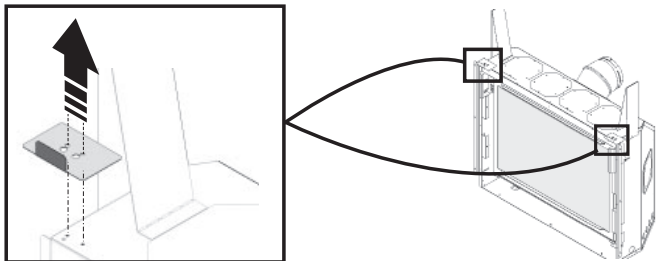
Installation

Install Appliance for Clean Install Kit

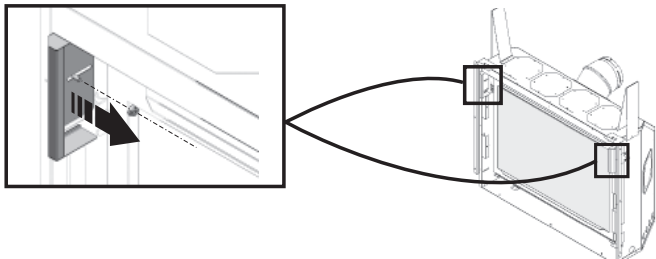
1. Unpack the 1130CIK kit checking that you have all the pieces on hand.



2. On top of the appliance's case in front of the stand-offs, remove the positioning brackets (2 screws each).

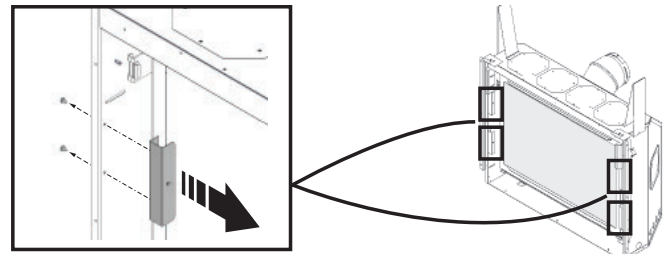


3. On top, each side of the window, remove the convection brackets (1 nut/side).



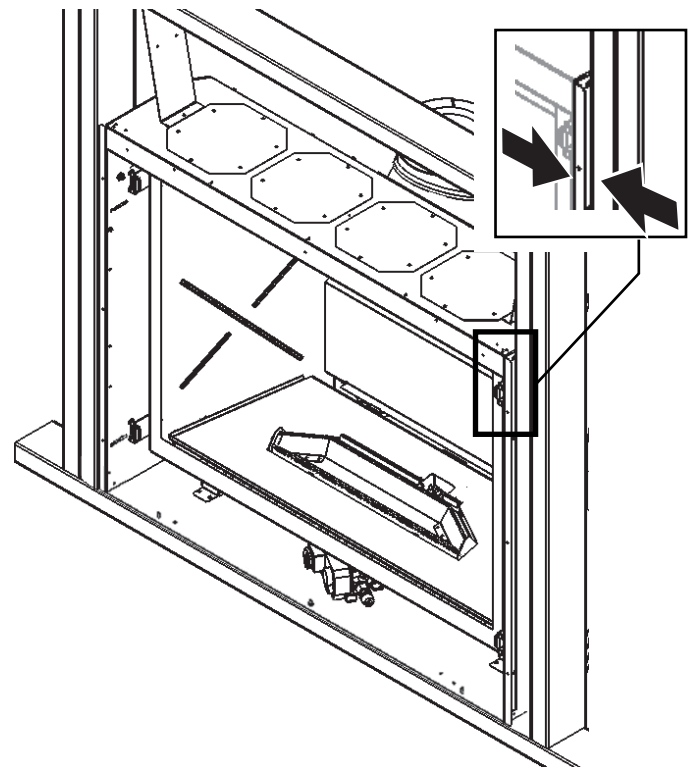
With 1130CIK—Clean Install Kit

4. On each side of the firebox, remove, from outside of the appliance's case, four brackets which are used with other fronts (2 screws each).



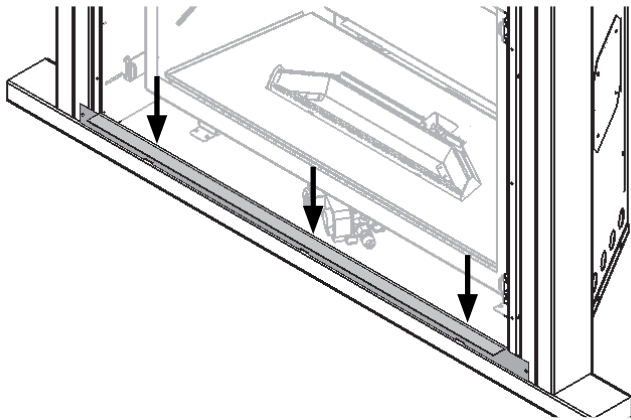
Installation

1. Align the appliance with the cavity, and push it in until the front face is flush with the studs.

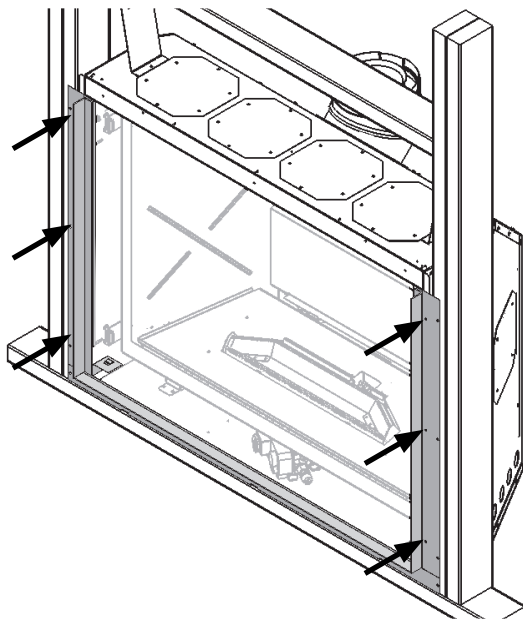


Installation

2. Install the lower panel using the three studs at the base of the appliance (3 nuts).



3. On the appliance, install the side panels as indicated (3 x 1/2" screws per side).



With 1130CIK—Clean Install Kit

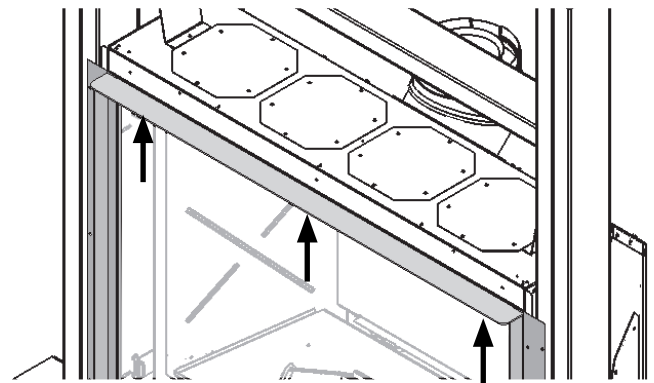
4. Install the upper finishing strip under the appliance's case top edge:

With no HeatShift. Remove the 3 screws retaining a removable convection baffle and slide the finishing strip over the baffle's tabs, then secure the strip and baffle together with 3 countersunk screws supplied.

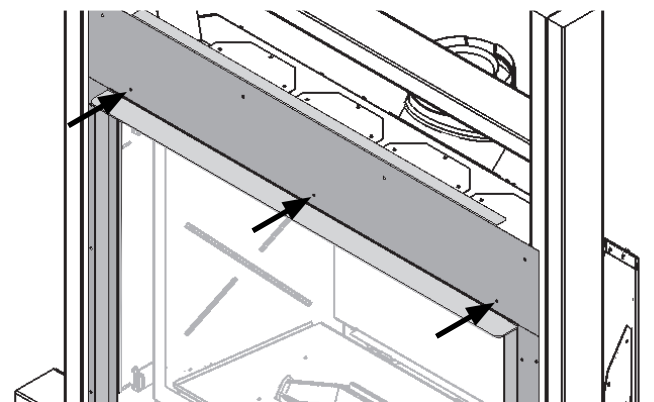
ONLY with HeatShift. Remove the 3 screws retaining the removable convection baffle, remove the baffle, then slide the finishing strip over the screw holes and secure it with 3 countersunk screws supplied. Discard the convection baffle.

NOTE

Use of the optional HeatShift System requires the convection baffle to be removed above the firebox. See Appliance Preparation, Optional HeatShift on page 43 or Appendix D - HeatShift System on pages 84-103.



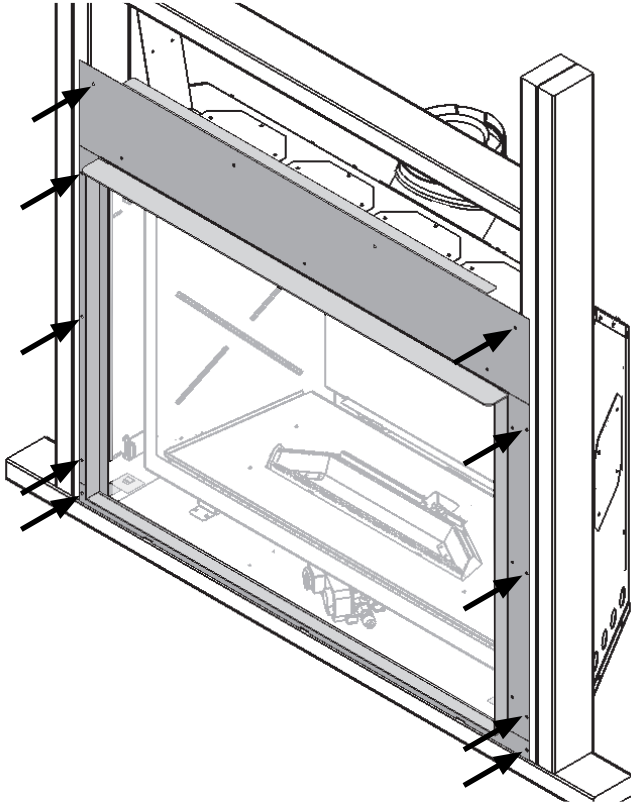
5. Install the top panel as indicated (3 x 1/2" screws).



Installation

With 1130CIK—Clean Install Kit

6. Ensure the appliance is snug against the framing and secure it to the studs on each side (5 fixing points per side). Use wood screws (not supplied).



7. Set aside the side doors, removable panel and barrier screen to install later when the appliance's set-up and wall finish application are completed.
8. Continue the installation of the appliance.

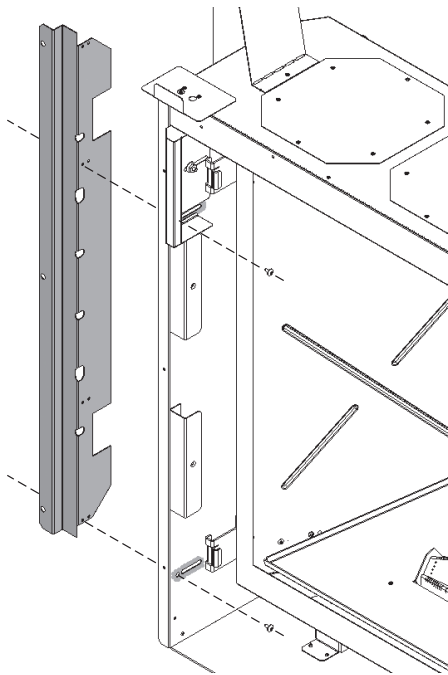
Installation

With 3 or 4-Sided Trims

Install Appliance for 3 or 4-Sided Trims

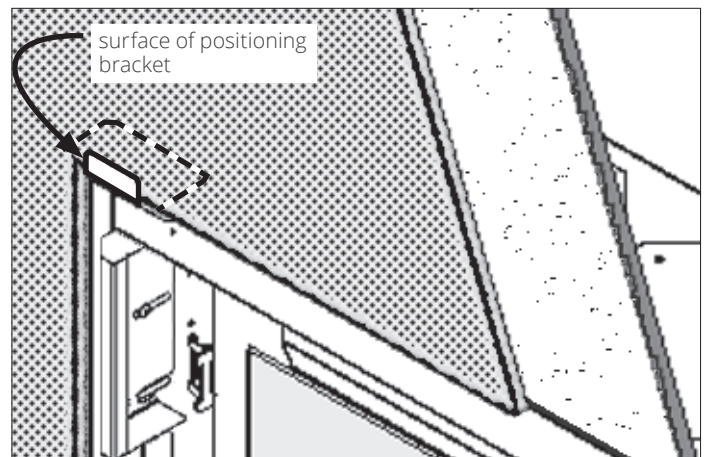
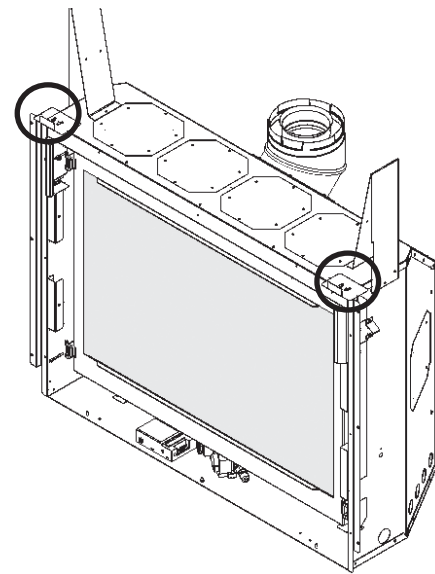
Place appliance in framing

1. Install stud brackets on each side of appliance (2 screws per bracket). Use the hole or slot according to the thickness of wall finish—see Planning, Framing—3-4 sided trims on page 25.



2. Taking great care not to cut your hands on sheet metal edges, lift appliance up and insert into framing. *Ensure that unit is at the right height with consideration to the height of hearth or combustible flooring.* When setting the position of the appliance within the framing, the front surface of the positioning bracket indicated should always be flush with where you anticipate the finished wall surface to be. Adjust the position of the side brackets to suit.

If in doubt, allow for slightly less material thickness as the trims have additional 3/4" of adjustment.



Complete Installation of Optional HeatShift (if used)

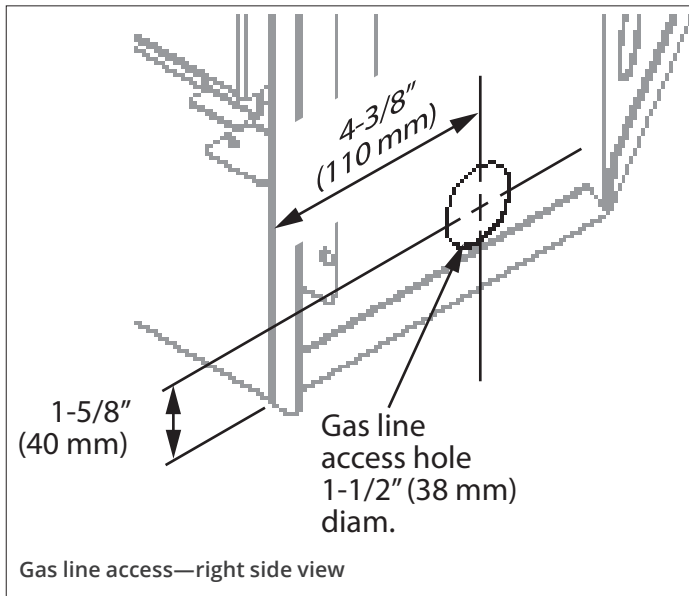
See HeatShift installation instructions in this manual Appendix D - HeatShift System on pages 84-103.

Installation

Gas Supply

Connect Gas Supply

The gas supply inlet connection is a 3/8" NPT male connector located on the right hand side of the firebox.



The unit is supplied with a stainless steel flex line to allow the appliance to be disconnected for service. An individual shut-off valve (not supplied) is required on the supply line ahead of the flex connector.

Use only new black iron or steel pipes, CSST, or copper tubing if acceptable—check local codes. **Note that in USA, copper tubing must be internally tinned for protection against sulfur compounds.**

Unions in gas lines should be of ground joint type.

The gas supply line must be sized and installed to provide a supply of gas sufficient to meet the maximum demand of the appliance without undue loss of pressure.

Sealant used must be resistant to the action of all gas constituents including propane gas. Sealant should be applied lightly to male threads to ensure excess sealant does not enter gas lines.

Pressure test the supply line for leaks

The appliance and its individual shut-off valve must be disconnected from the gas supply piping system during any pressure testing of that system at test pressures in excess of 1/2 psig (3.5 kPa).

The appliance must be isolated from the gas supply piping system by closing its individual manual shut-off valve during any pressure testing of the gas supply piping system at test pressures equal to or less than 1/2 psig (3.5 kPa).

Failure to either disconnect or isolate the appliance during pressure testing may result in regulator or valve damages and void the warranty. Consult your dealer in case of damages.

Pressure Test Points

The minimum supply pressure is given in the section *Specifications* of this manual—page 6.

All piping and connections must be tested for leaks after installation or servicing. All leaks must be corrected immediately.

When testing for leaks:

- Make sure that the appliance is turned off.
- Open the manual shut-off valve.
- Test for leaks by applying a liquid detergent or soap solution to all joints. Bubbles forming indicate a gas leak.

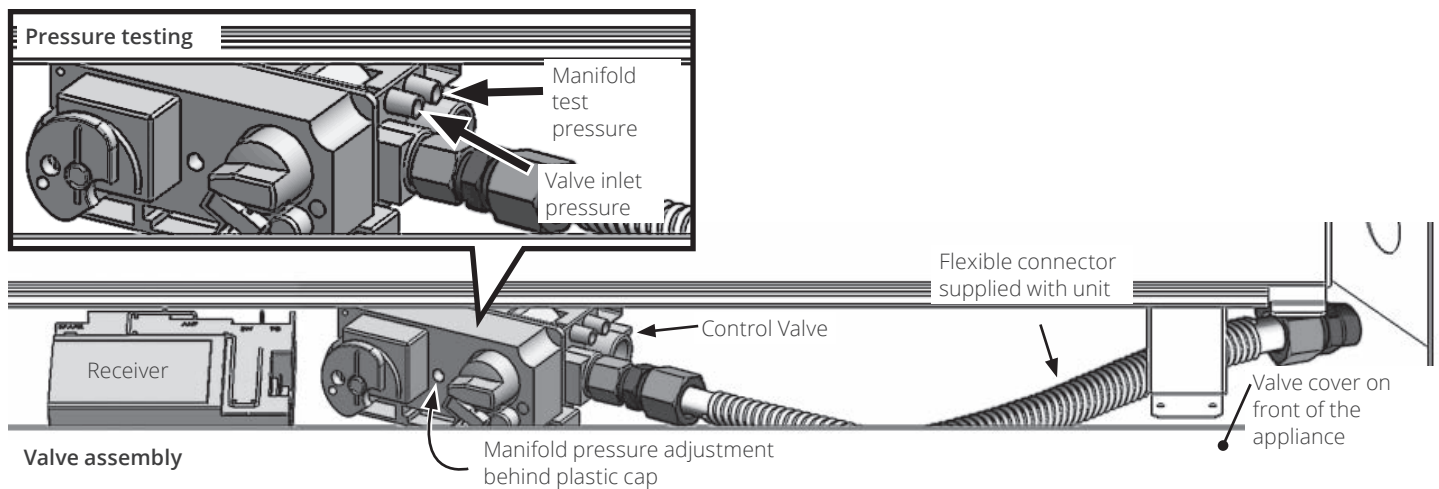


Caution

Never use an open flame to check for leaks!
Correct any leak detected immediately.

The pressure test tapping locations are shown in the figure below. An internal regulator within the valve controls the burner manifold pressure.

The correct pressure range is shown in the table in section *Specifications* of this manual on page 6. The pressure check should be made with the burner alight and at its highest setting. See Appendix A - Lighting Instructions Plate on page 75 in this manual for full operating details.



Installation

Liners

Install Liners

The following guidelines apply for all liners with the following exceptions:

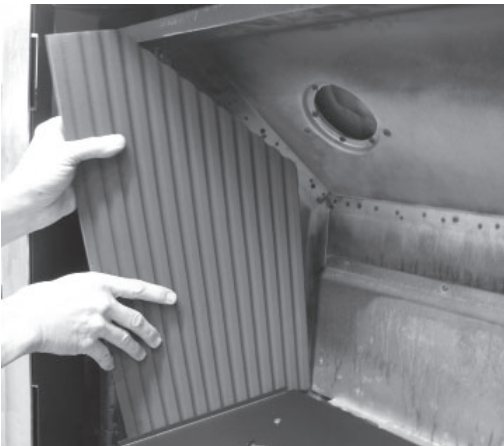
1170RGL Reflective Glass Liners: see installation manual supplied with liners.

1115LSL Ledgestone Liners: remove the burner cover (4 screws) to allow installation. Reinstall after step 6.

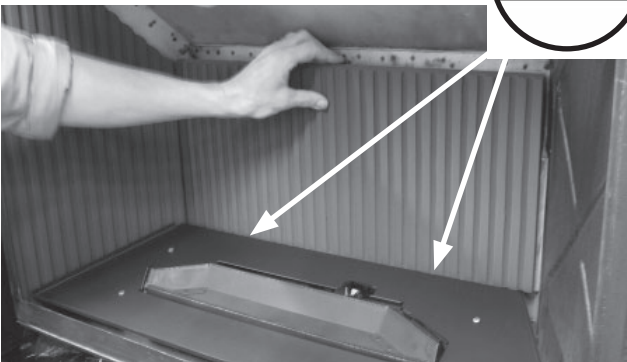
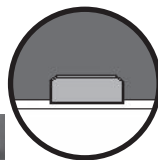
1. Inside the firebox, on each side at the top, release the screw of the side panel anchors so they can rotate freely (one per side).



2. Insert the bottom of one of the side panel between the burner cover and the side wall and rotate it slightly to insert it totally inside the firebox. Push it gently against the side wall. Rotate the side panel anchor to hold it in place.



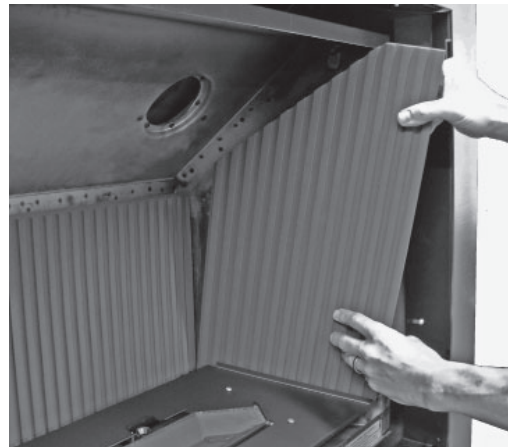
3. Place the rear panel against the back of the firebox behind the rail retainers at the bottom and behind the side panel already installed.



Note: If you are installing the optional 1105RGL—Reflective Glass liner panel (with 1125FBL—Fluted Black Liners or 1160PBL—Plain Black Liners), place the reflective panel, smooth side visible, in front of the rear ceramic panel, held in place as well by the bottom panel retainers.



4. Insert the bottom of the other side liner panel between the burner cover and the side wall and rotate it slightly to insert it totally inside the firebox. Push it gently against the side wall. Rotate the side panel anchor to hold the panel in place.



5. Insert the top panel, beveled edge towards the back of the firebox, on top of the side panel, slide it across to rest on both side panels and rear panel.



6. Tighten the side panel anchors.

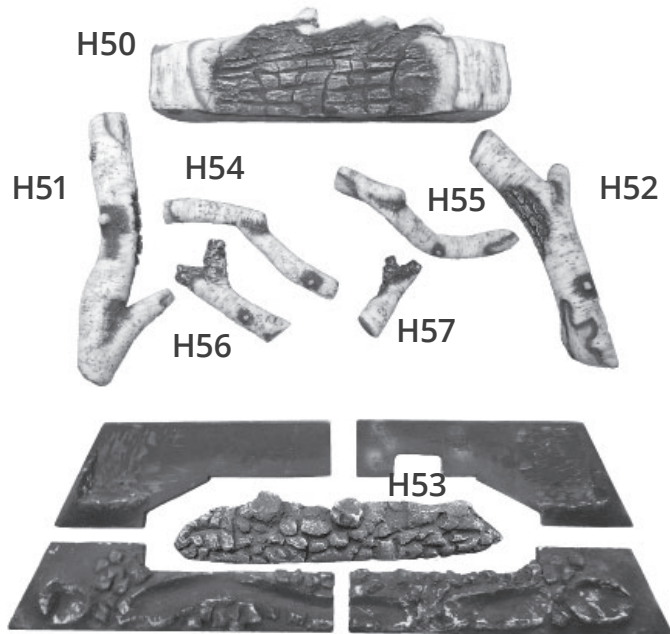
Installation

Fuel Beds

Birch Logs 1100BLK

Material required

- Birch log kit, which contains:
 - 7 logs
 - 1 ember bed
 - 4-piece ceramic plaque
- Gloves, if desired (not supplied)

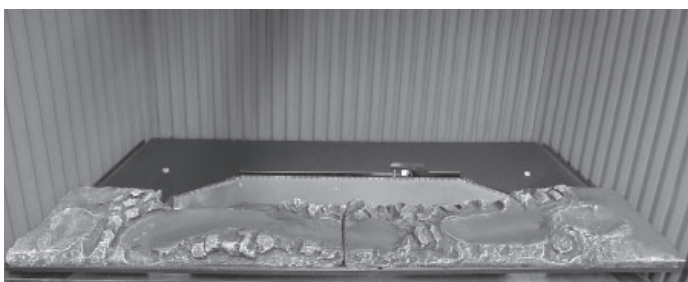


Installation

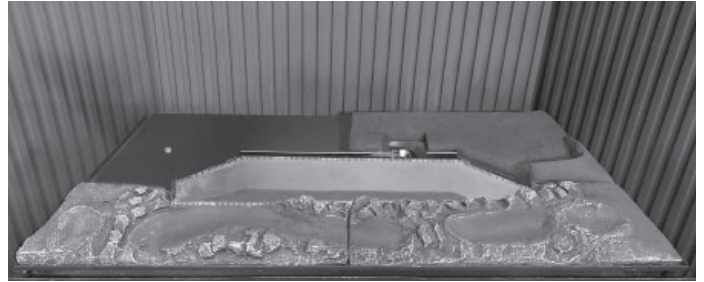
Carefully unpack the kit. Each log is stamped at the bottom with an alpha-numeric code to help identify it.

Ceramic Plaque

1. Place the front left and right ceramic pieces of the plaque on the burner cover as shown.



2. Place the rear right ceramic piece.



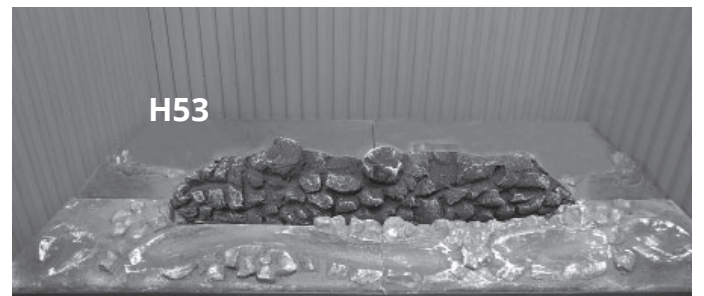
3. Place the rear left ceramic piece.



Ceramic plaque installed

Logs

1. Place ember bed H53 onto the burner. Carefully locate it centered left to right and front to back.



2. Place log H50 behind H53; bring log forward to rest it on both sides against the raised part of the rear ceramic plate pieces.



Installation

Fuel Beds

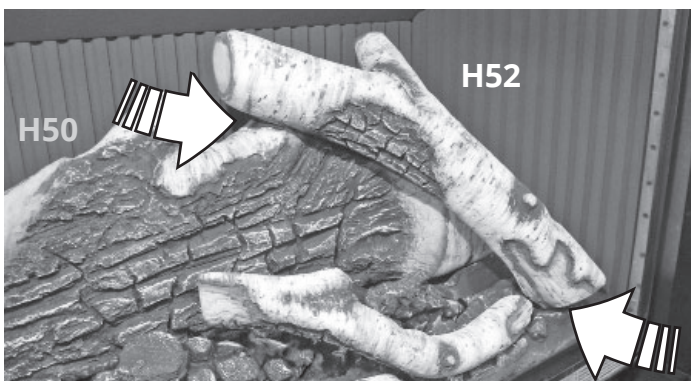
- Place log H54 in the left recess at the front of the ceramic plaque as shown.



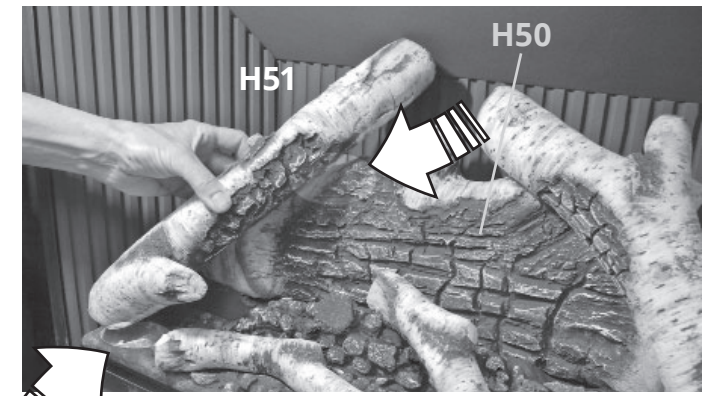
- Place log H55 in the right recess at the right of the ceramic plaque and on the right flat knob on H53.



- Place log H52 resting its end in the recess in the plaque and its other end on top of H50.

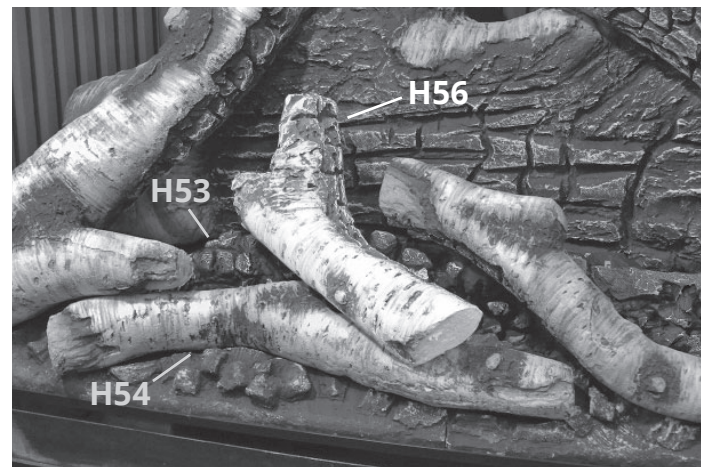


- Place log H51 resting its forked end in the recess in the plaque and its other end on top of H50.



H51 installed

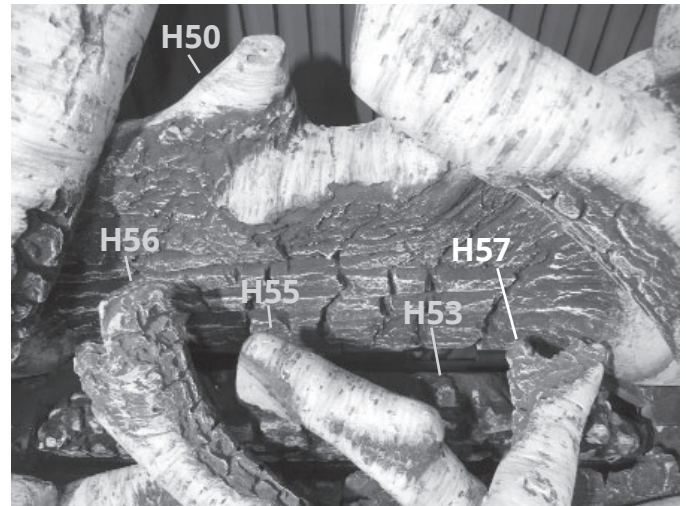
- Place the bigger 'Y' shaped log H56 resting its forked end on the flat knob of H53 and its other end on H54.



Installation

Fuel Beds

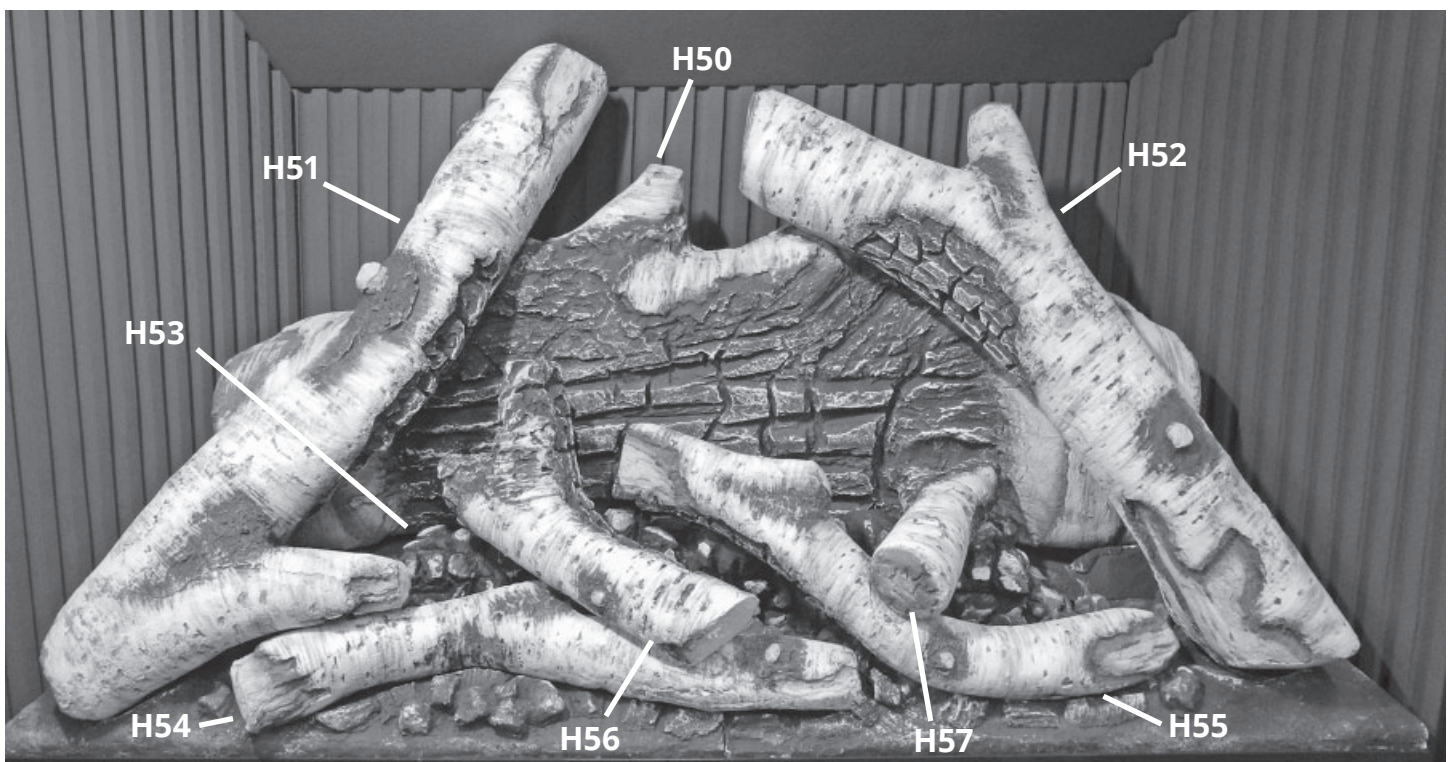
- Place smaller 'Y' shaped log H57 resting its forked end on the center log H53, on a horizontal plane; its other end on H55.



H57 installed—top view

NOTE

Logs H56, H55 and H57 resting on top of ember bed H53 DO NOT touch the rear log H50.



1100BLK installed

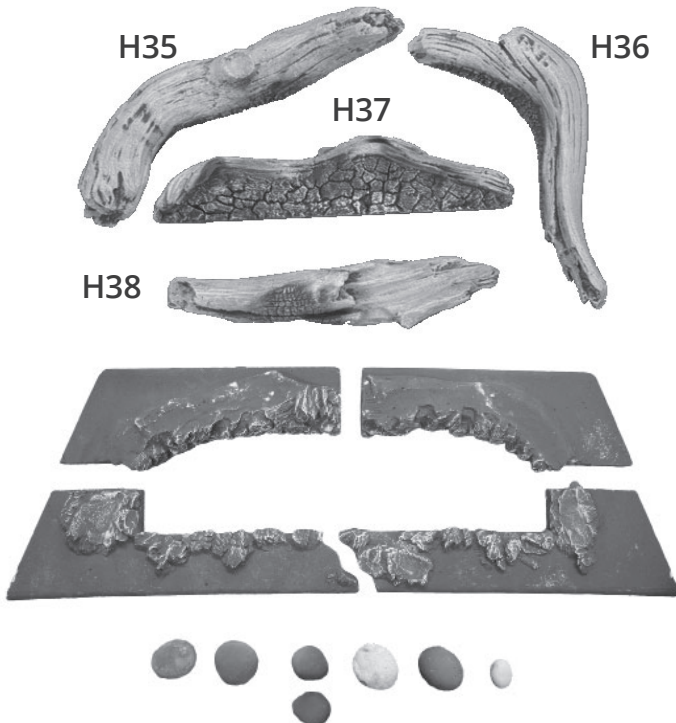
Installation

Fuel Beds

Driftwood Kit 1100DWK

Material required

- Driftwood Kit, which contains:
 - 4 logs
 - 4-piece ceramic plaque
 - 7 pebbles
- Gloves, if desired (not supplied)

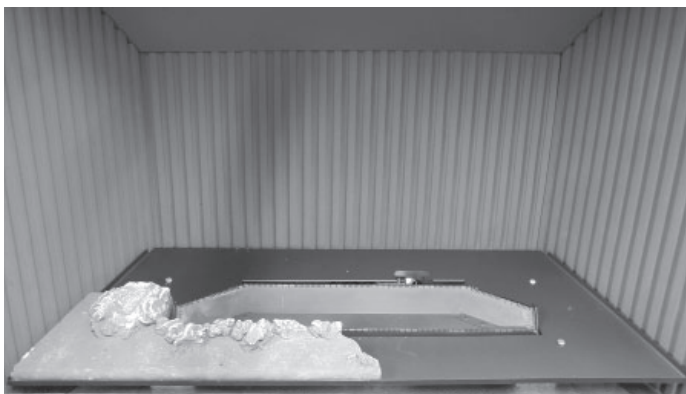


Installation

Carefully unpack the kit. Each log is stamped at the bottom with an alpha-numeric code to help identify it.

Ceramic Plaque

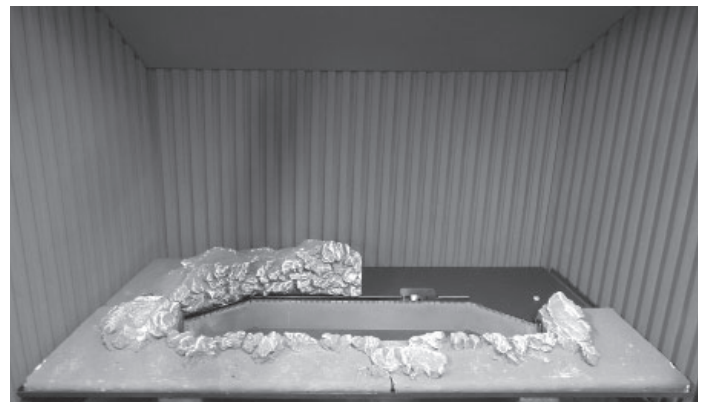
1. Place the front left ceramic piece of the plaque on the burner cover.



2. Place the front right ceramic piece.



3. Place the rear left ceramic piece.



4. Place the rear right ceramic piece.



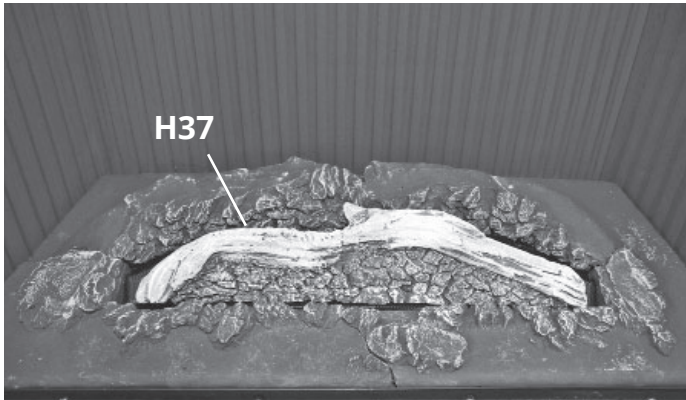
Ceramic plaque installed

Installation

Fuel Beds

Logs

1. Place ember bed H37 onto the burner. Carefully locate it centered left to right and front to back.

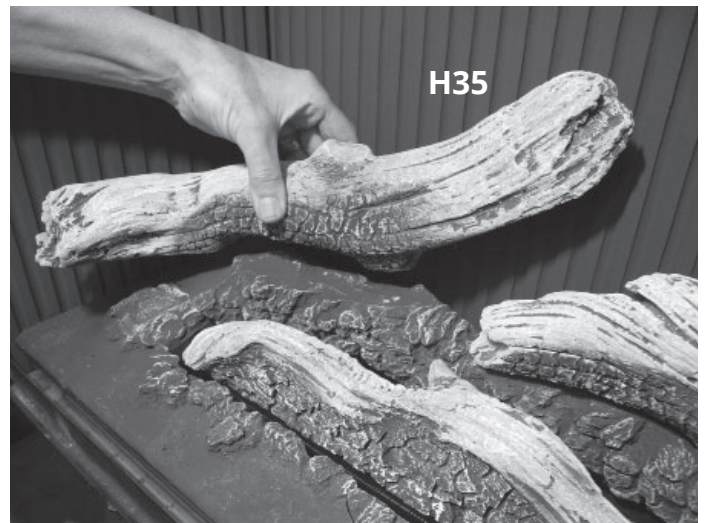


2. Install log H36 on the right side of the plaque resting it into depressions as shown.



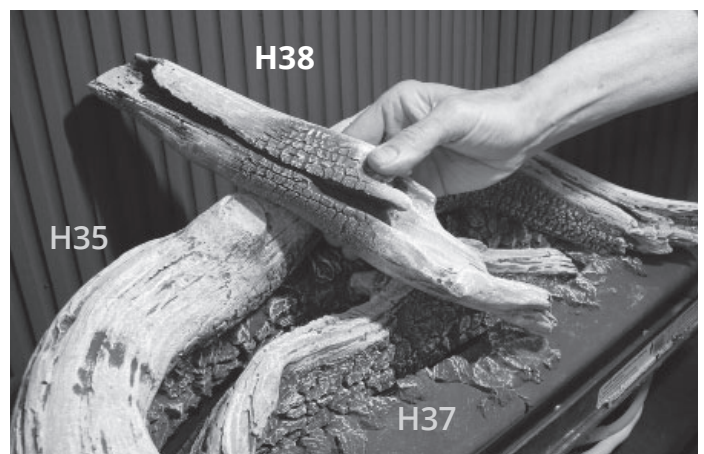
H36 installed

3. Install log H35 on the left side of the plaque resting it into depressions as shown.



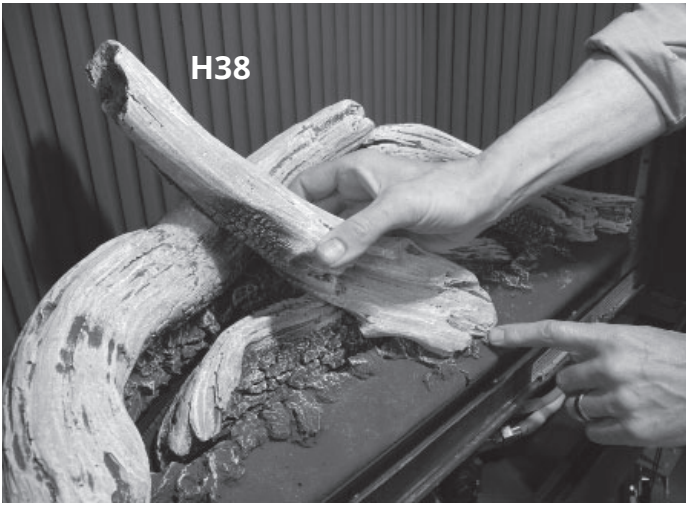
H35 installed

4. Install log H38 resting it on the knot on top of H35 and placing its other end in the indent at the front of the ceramic base as shown.



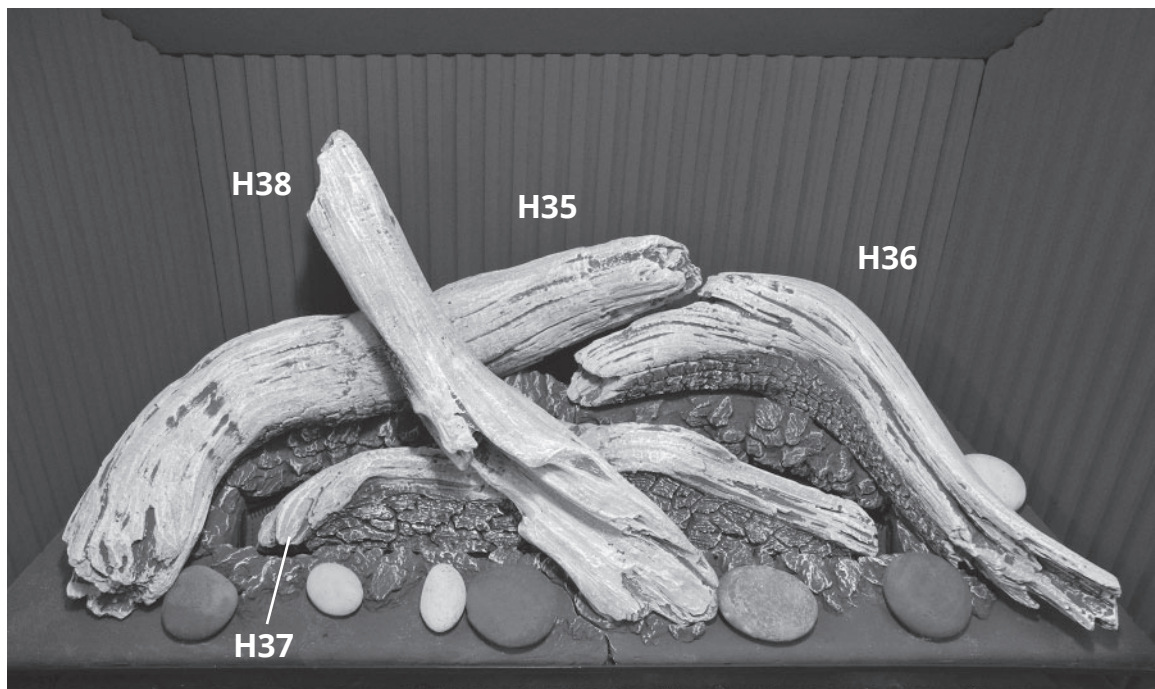
Installation

Fuel Beds



Logs installed

5. Add pebbles on the ceramic plaque only, as desired.



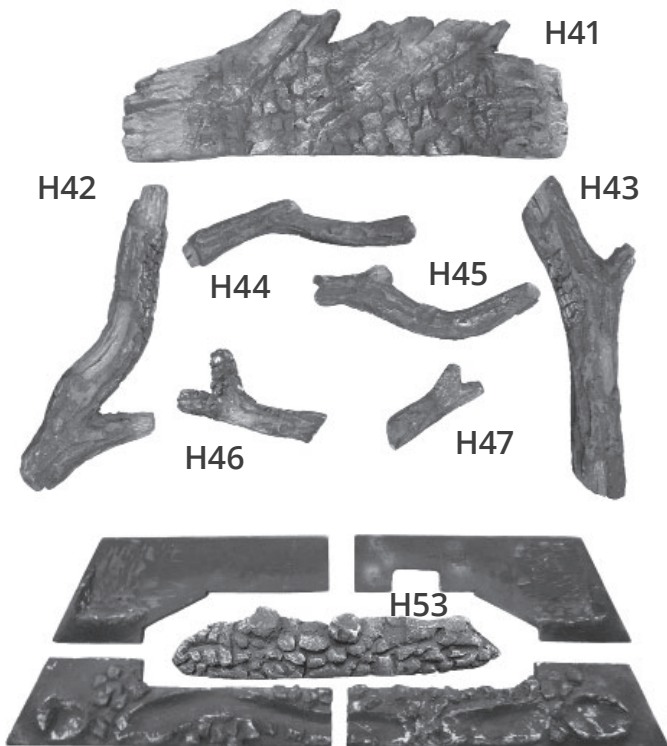
Installation

Fuel Beds

Traditional Logs 1100LSK

Material required

- Traditional log kit, which contains:
 - 7 logs
 - 1 ember bed
 - 4-piece ceramic plaque
- Gloves, if desired (not supplied)

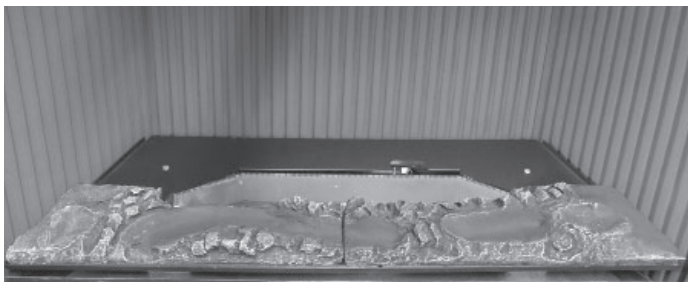


Installation

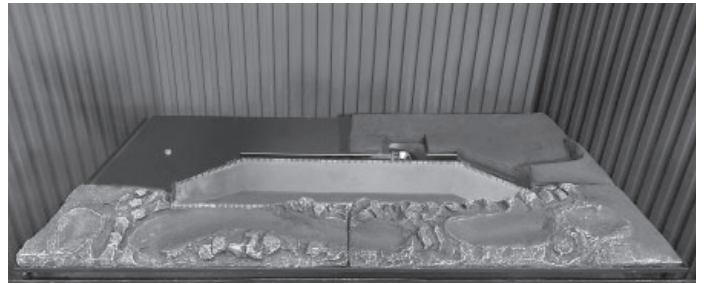
Carefully unpack the kit. Each log are stamped at the bottom with an alpha-numeric code to help identify it.

Ceramic Plaque

1. Place the front left and right ceramic pieces of the plaque on the burner cover.



2. Place the rear right ceramic piece.



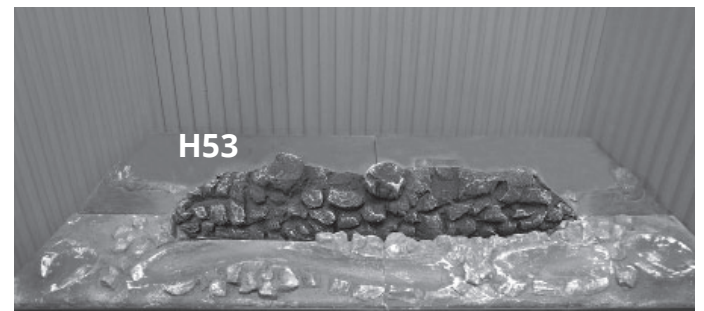
3. Place the rear left ceramic piece.



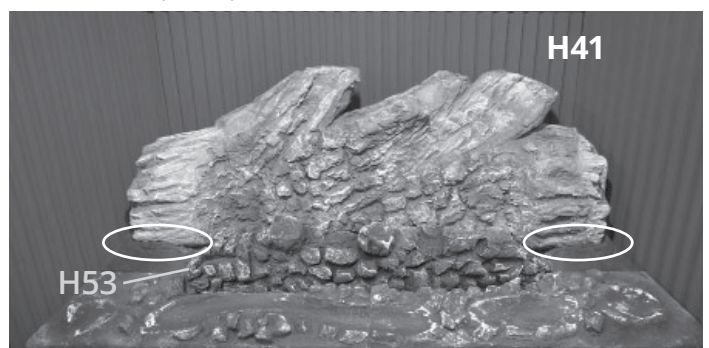
Ceramic plaque installed

Logs

1. Place ember bed H53 onto the burner. Carefully locate it centered left to right and front to back.



2. Place log H41 behind H53; bring log forward to rest it on both sides against the raised part of the rear ceramic plate pieces.



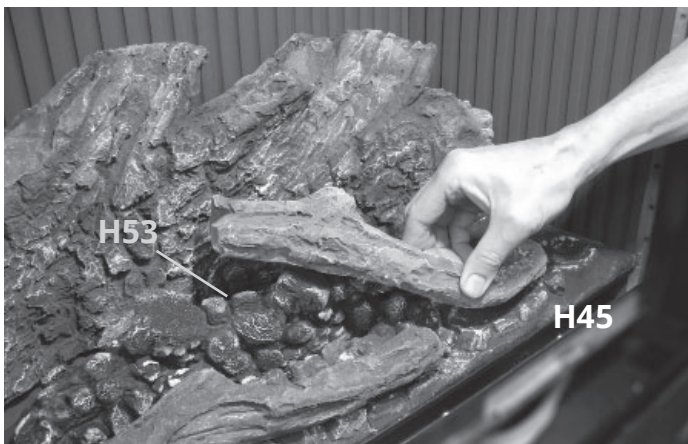
Installation

Fuel Beds

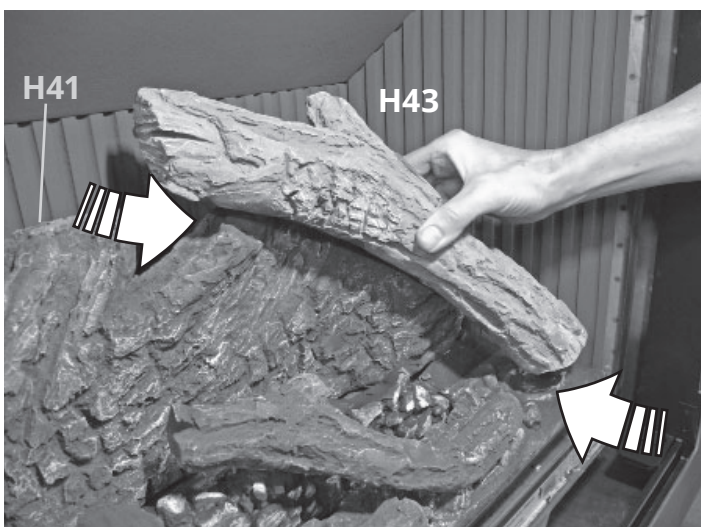
3. Place log H44 in the left recess at the front of the ceramic plaque.



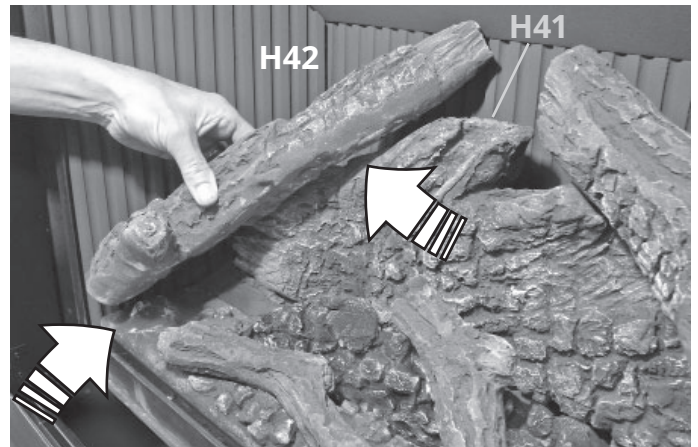
4. Place log H45 in the right recess at the right of the ceramic plaque and on the right flat knob on H53.



5. Place log H43 resting its base in the recess in the plaque and its other end on top of H41.



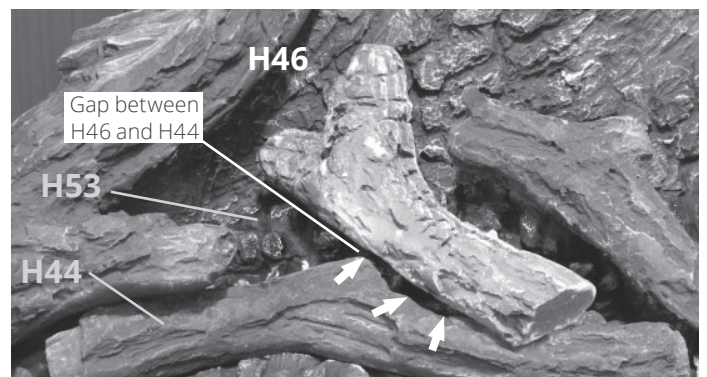
6. Place log H42 resting its base in the recess in the plaque and its other end on top of H41.



H42 & H43 installed

7. Place the bigger 'Y' shaped log H46 resting its forked end on the flat knob of ember bed H53 and its other end on a flatter surface of H44.

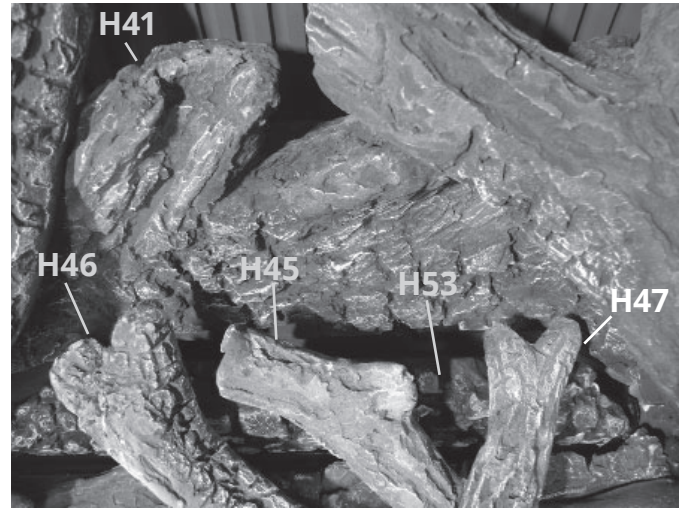
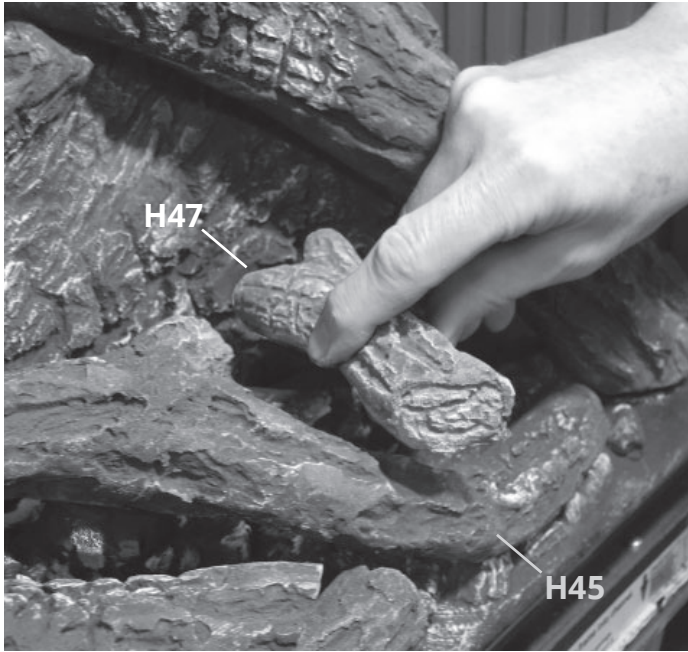
NOTE the space between H44 and H46 as indicated.



Installation

Fuel Beds

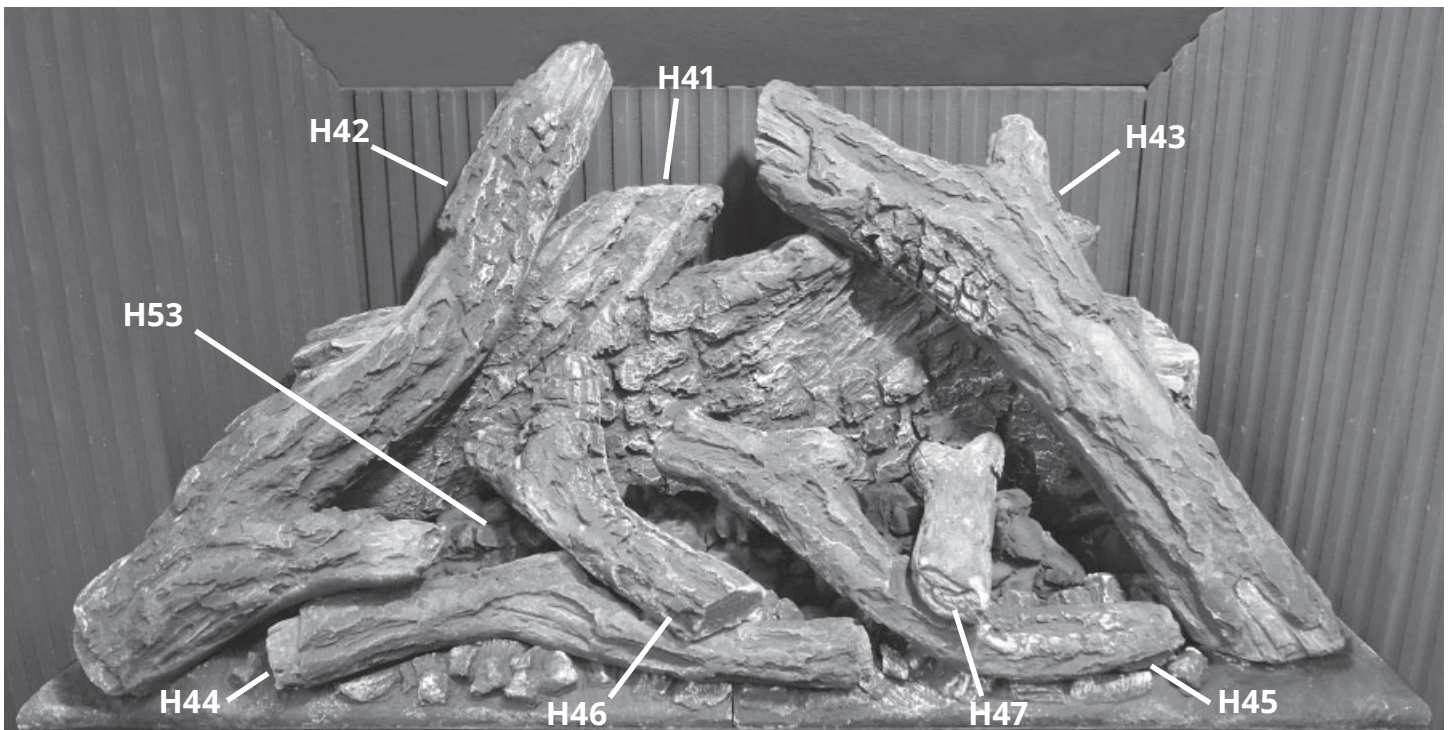
- Place smaller 'Y' shaped log H47 resting its forked end on ember bed H53, on a horizontal plane; its other end on H45.



H47 installed—top view

NOTE

Logs H46, H45 and H47 resting on top of ember bed H53 DO NOT touch the rear log H41.



1100LSK installed

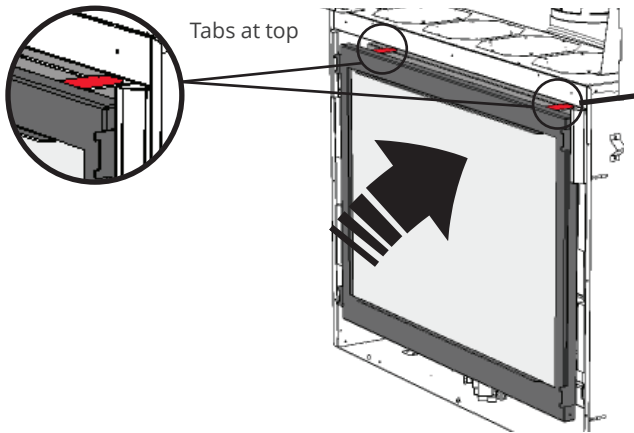
Installation

Window Re-Installation

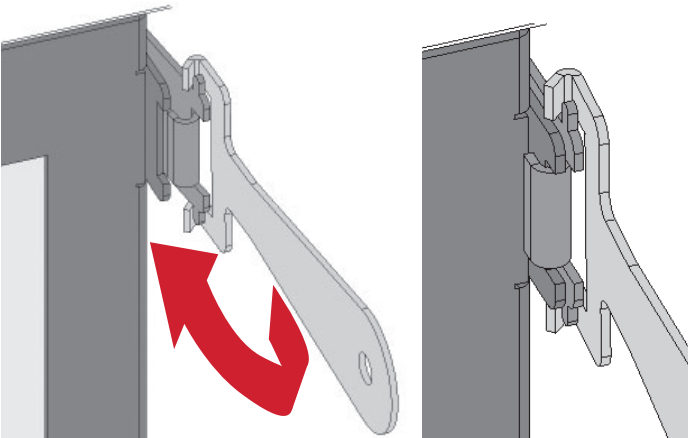
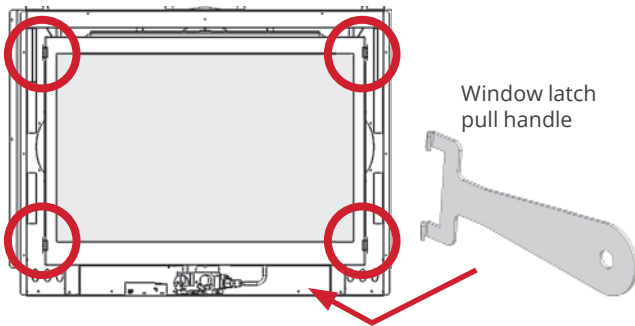
Reinstall and Check Window

To reinstall the window you need the window latch pull handle, located on the bottom front of the fireplace.

1. Place the top window frame tabs on the firebox top and push against the firebox, ensuring it's centered left to right.



2. The window is secured by four spring-loaded latches which hook to two tabs on each side of the frame. While holding the top of the window to the firebox, hook the handle to the latches's vertical tabs and hook the top two latches to the frame's top tabs. Repeat with the bottom latches and tabs.



WARNING

The window unit must be correctly installed, fastened and sealed after servicing or serious bodily injury and/or damage to the appliance may result.

To ensure a safe operation:

- Double-check that the top of the window frame is correctly installed;
- Verify that the spring-loaded latches are hooked properly to the four window tabs then;
- Pull out the top of the window and release it to ensure the springs return it; repeat with the bottom of the window;
- Ensure the window is sealed by pressing firmly around it before operation.

WARNING

Failure to install the window correctly can:

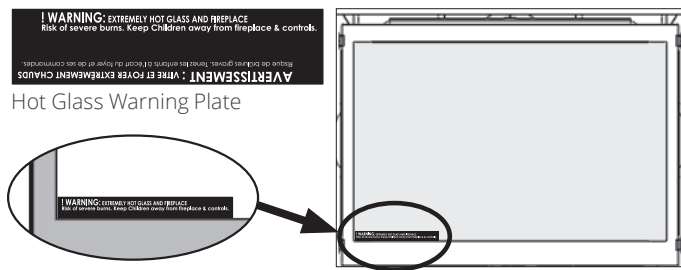
- Leak carbon monoxide.
- Affect the performance of the fireplace.
- Damage components.
- Cause overheating resulting in dangerous conditions.

Damage caused by incorrect window installation is not covered by the Valor Warranty.

Installation

Window Re-Installation

3. Firmly pull and release the top of the window frame to ensure the spring-loaded mechanism returns the window to the firebox. Repeat with the bottom of the window frame.
4. Apply firm hand pressure around window frame to make sure window is sealed tight against firebox.
5. Reattach the handle by its *Velcro* to the bottom of the fireplace so it is easy to find when needed.
6. If the Hot Glass Warning plate has been removed from the front lower corner of the window, re-install it by sliding it between the glass and the frame as indicated.



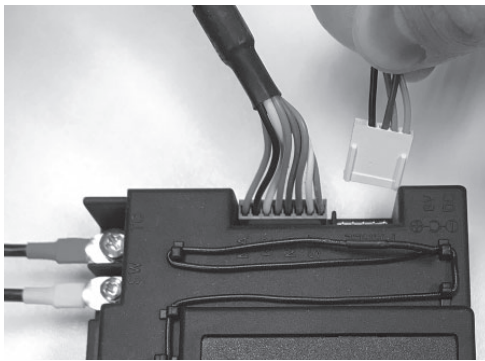
Installation

Install Remote Battery and Wall Switch Kit (required)

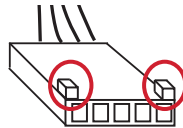
The Remote Battery and Wall Switch Kit is provided with this appliance. It connects to the receiver in the fireplace.

The receiver is located under the firebox, left of the control valve. It is maintained in position with **Velcro** bands.

1. Pull out the receiver from its location to connect the battery holder and wall switch.
2. Feed the 'white connector end' of the harness assembly through side holes in fireplace liner body to receiver. Ensure sufficient harness length to allow for removal of receiver. Note - coil up any extra harness at fireplace end.
3. Connect white connector to auxiliary 5-pin junction, and power connection to jack.



IMPORTANT: The connection can only be done one way.



Do not force it or damage the pins on the receiver box!



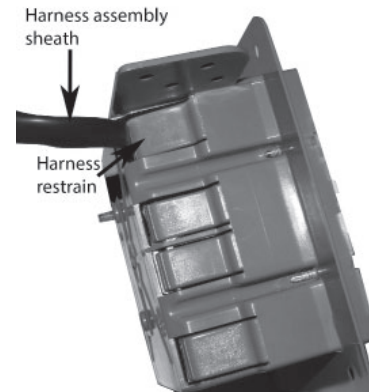
Caution

DO NOT PUT BATTERIES IN THE BATTERY HOLDER until the wires are connected to the burner control unit as short-circuit could result in the destruction of the electrical components.

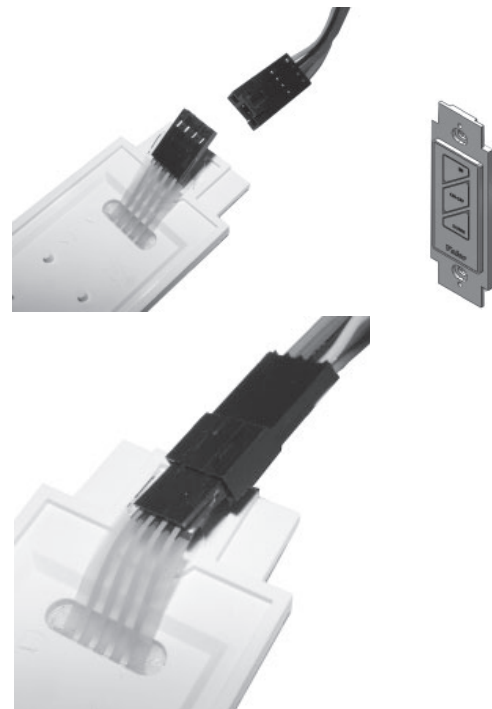
Do not run the switch wire over the top of the firebox. Route the wire so it does not contact the firebox.

Remote Battery and Wall Switch

4. Run harness assembly to mounted position of junction box, securing harness to framing using insulated staples (not included)
5. Feed harness assembly through a restrain on rear of junction box, feeding through until harness sheath is pinched by retainer and providing sufficient length to make connection to rear of switch and battery holder.

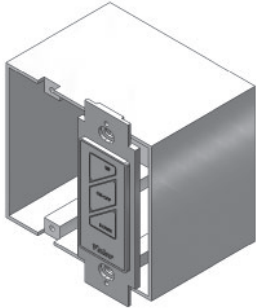


6. Secure junction box to the mounting surface using appropriate fasteners (not included)
7. Align molex connection on switch cable of harness assembly and connect to switch.

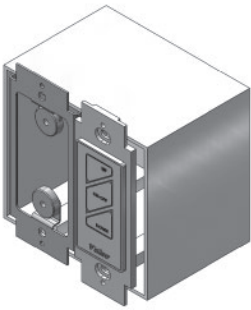


Installation

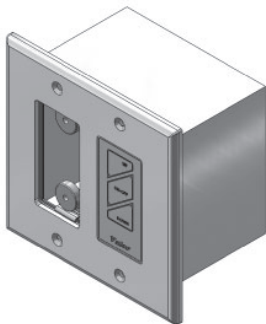
8. Mount switch plate to junction box with 2 long screws provided. Note: switch position left or right to suit homeowner wishes.



9. Locate and secure magnet plate using 2 'long' screws provided



10. Place and secure cover plate to box using 4 screws provided



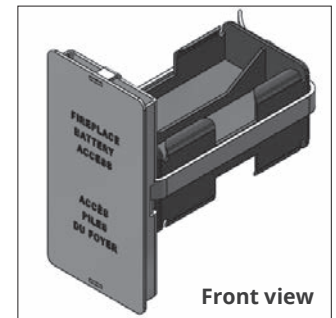
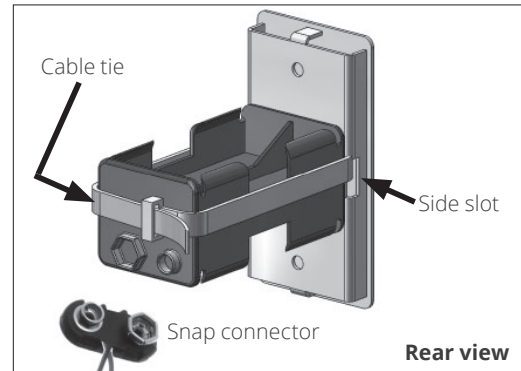
Caution

DO NOT USE a screwdriver or other metallic object to remove the batteries from the battery holder or the handset! This could cause a short circuit to the receiver.

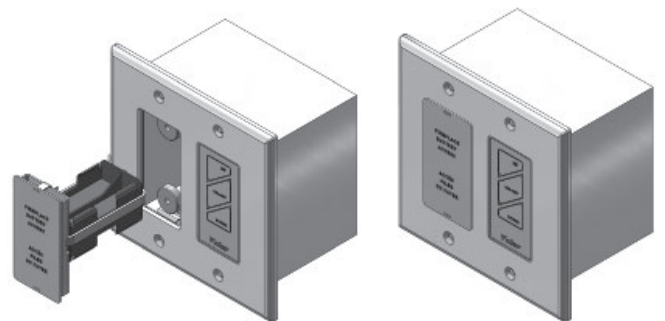
To avoid short-circuit to the receiver, position the antenna so that it DOES NOT TOUCH the ignition wire.

Remote Battery and Wall Switch

11. Feed cable tie through the 2 side slots of battery cover assembly.
12. Position battery holder to rear face and secure together with cable tie. note clearance is required for battery snap connection.



13. Make the snap connection, load 4 AA alkaline batteries into holder (included with fireplace) then feed back into junction box assembly.
Note: Do not put batteries in the receiver, only in the battery holder by the wall switch.




14. Test the operation of the wall switch—see Appendix C - Wall Switch Operation on page 83.

Installation

Remote Control Initial Pairing

The receiver and the handset of the remote control system must be initially paired before the first use. (Note that batteries must already be installed in the wall mounted battery holder)

1. Insert two 1.5 V AAA alkaline batteries in the handset.
2. Locate the Reset button on the front side of the receiver.
3. With a thin object, press and hold the receiver's RESET button until you hear one short and one long beeps. After the second beep, release the reset button.
4. Within the subsequent 20 seconds, press and hold the  button on the remote handset for 2-3 seconds. **CONN** will be displayed on the handset during the pairing sequence. You will hear two short beeps confirming the pairing is done.

If you hear one long beep, the pairing sequence has failed or the wiring is incorrect.

This is a one time pairing only and is not required when changing the batteries of the handset or battery holder. The remote control system is now ready to use.

Install Remote Control Handset Wall Holder

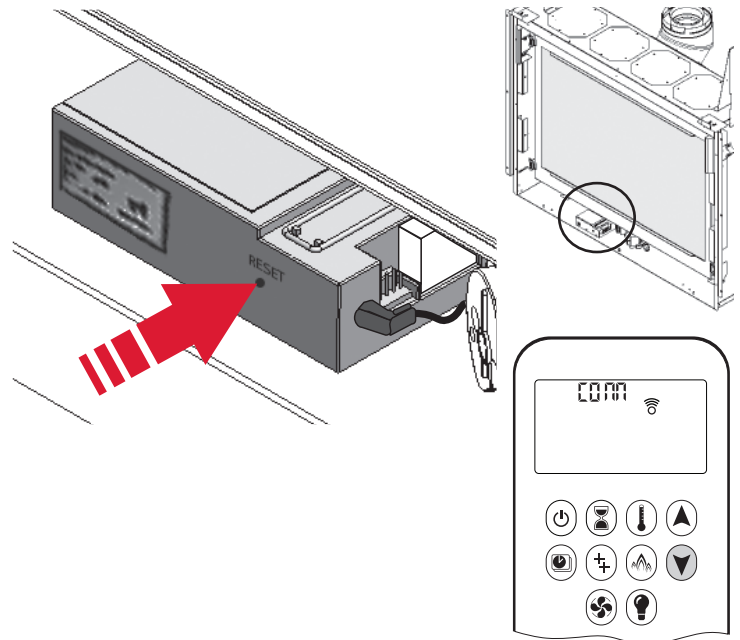
The remote control kit for this fireplace comes complete with a wall-mounted holder. This holder is not required in all installations but is provided as an optional feature for those customers who wish to mount the remote handset to the wall.



To install the holder to the wall, find a convenient location and use the hardware provided with the kit. Cover the screws with the included caps to finish the mounting.

Once mounted, the holder is magnetic - simply place the remote gently into the holder.

Remote Control Set-Up



Radio Frequency

918.0 MHz for USA and Canada.

This device complies with Part 15 of the FCC Rules and with Industry Canada license-exempt RSS standard(s). Operation is subject to the following two conditions:

- (1) this device may not cause harmful interference, and
- (2) this device must accept any interference received, including interference that may cause undesired operation.

IMPORTANT: The location of the remote control handset is important to assure proper temperature regulation. To obtain a constant temperature, we recommend that the handset should be **between 3 and 15 feet away from the appliance but not directly above it.** We also advise that the handset should be located away from any other heat source and not in direct sunlight as this may affect the temperature sensor located in the remote handset.

Installation

Check Operation

Turn the fireplace flame up and down using the remote control to confirm that the full range of inputs is achieved—see Appendix B - Remote Control Operation on pages 76-82 of this manual.

Adjust Aeration (if needed)

Light the fire and allow the unit to warm up for 10–15 minutes to evaluate the flame picture. The burner is equipped with an adjustable shutter to control primary aeration. The shutter is factory-set to an aeration gap which will give optimum performance for the vast majority of installations.

Depending of the fuel bed used, altitude and other considerations, the flame picture may be improved by adjusting the aeration. The need for adjustment should be determined only by operating the appliance with the fuel bed, panels and window installed and evaluating the flame picture after a 15-minute warm-up.

The installer is responsible for verifying aeration setting for ALL installations.

Increasing aeration (air shutter open) will cause the flames to appear more transparent and blue showing more ceramic effects glow.

Decreasing aeration (air shutter close) will cause the flames to appear more yellow or orange showing less ceramic effects glow.

Too little aeration may result in black carbon forming on logs or roof panel and dropping into the firebox. May also result in carbon or soot stains on the vent termination and exterior wall around the termination! The Manufacturer is not responsible for for any damage caused by an air shutter setting with too little aeration.

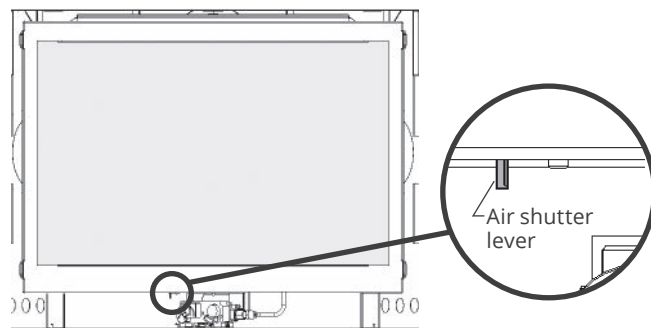
Operation and Burner Aeration

Air Shutter

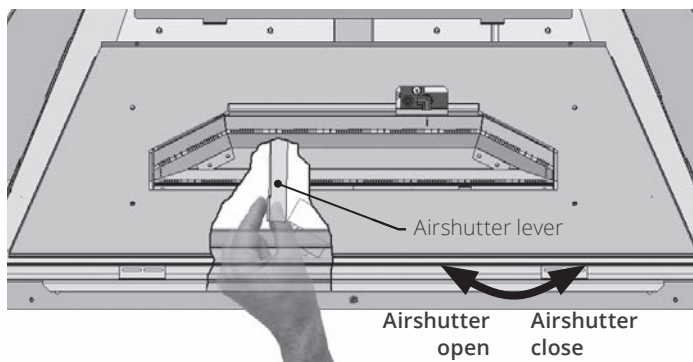
The air shutter adjustment lever is located under the firebox. If the trim or front is already installed, remove the barrier screen and the removable panel at the bottom of the fireplace.

To adjust the air shutter:

1. Locate the aeration lever under the firebox.



2. Move the lever left or right to the desired position. (parts shown cut away below for clarity)



Installation

Trim and Barrier Screen

Install Trim and Barrier Screen

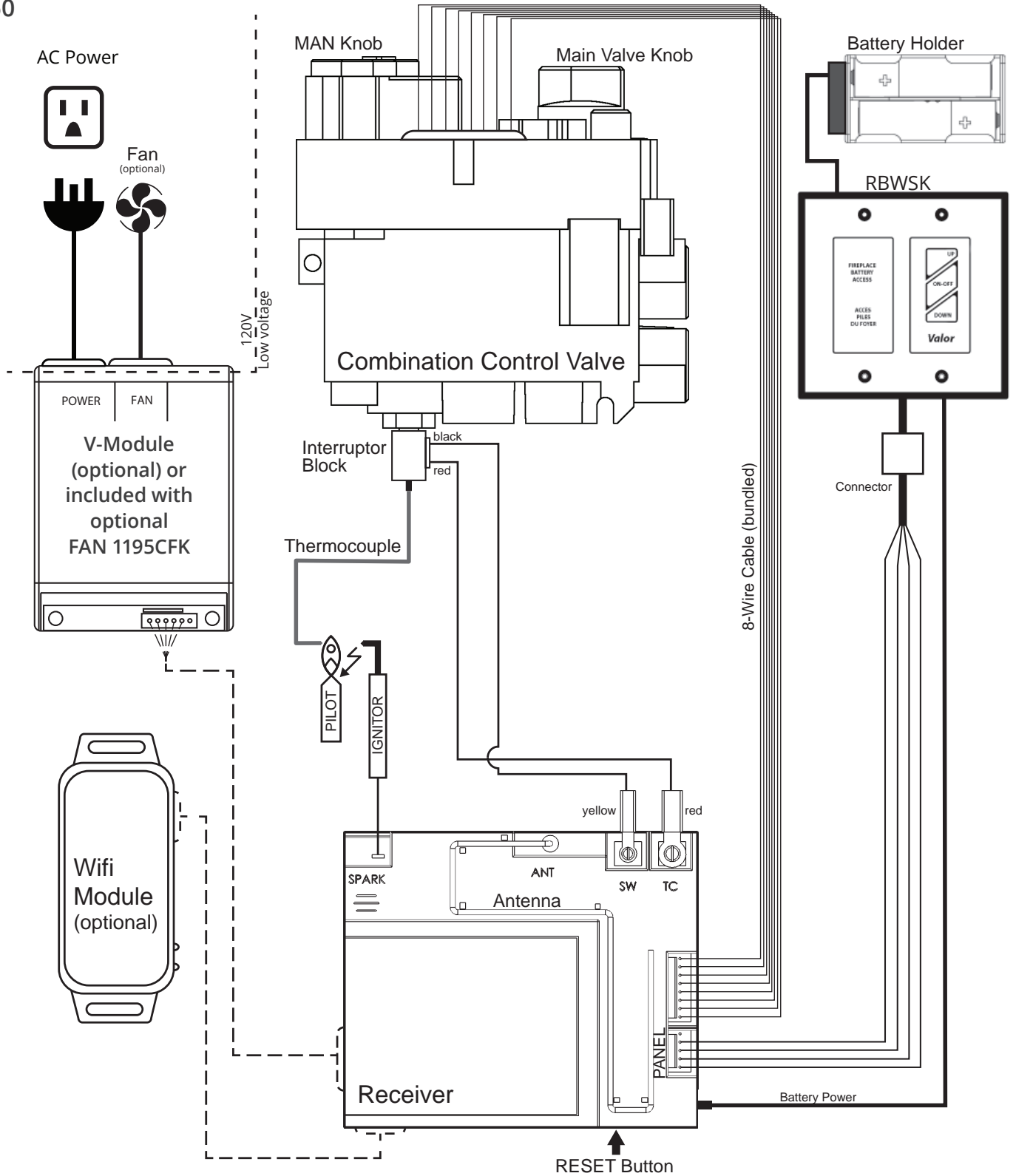
Install the trim chosen by the customer for the fireplace. Install as well the barrier screen which is provided with the trim.

Show the customer how to remove the barrier screen to access the controls.

Follow the instructions provided with the trim and leave those instructions behind for the customer's further reference.

Wiring Diagram

GV60



⚠ WARNING
NO ELECTRICAL CONNECTION ALLOWED
for any outdoor installation!

Approved Venting Components

Approved Direct Vent Suppliers for Valor Models 1100 ⁶ , 1400, 1500, and 1600 ⁵										
Venting Parts Description		Venting Parts Code / availability by Manufacturer							BDM	
		DURA-VENT	SELKIRK	ICC EXCEL DIRECT	SECURE VENT	RLH INDUSTRIES	AMERIVENT	MILES INDUSTRIES		
Termination Caps	Horizontal	Standard Co-axial	46DVA-HC	4DT-HC	TM-4HT	—	—	4DHC round	658DVK2	940160
		Deluxe Co-axial	—	—	TM-4RHT	—	—	4DHCS square	—	940160
		High Wind Co-axial	—	—	—	SV4CHC	—	—	—	—
	Vertical	Standard Co-axial	46DVA-VC	4DT-VT	—	—	HSDV4658-1313	4DVC	—	940264
								4DH-1313		940364
								—		940206LP
		High Wind Co-axial	46DVA-VCH	—	TM-4SVT	SV4CGV	—	—	—	—
		Extended Co-axial	46DVA-VCE	—	—	—	—	—	—	—
		Co-linear	46DVA-CL33 46DVA-CL34 46DVA-CL33H 46DVA-33P 46DVA-CL34P	—	TM-IVT	3PDVCV	HS-C33U-99	HCL-99-33	559CLT	940033B
										HCL-913-33
HCL-1313-33	940033HWS									
Snorkel, 14" Rise	46DVA-SNK14	4DT-ST14	TM-4ST14	—	—	4D14S	—	94040614		
Snorkel, 36" Rise	46DVA-SNK36	4DT-ST36	TM-4ST36	—	—	4D36S	—	94040636		
Vent Adapters	Co-axial-to-Co-linear Adapter	46DVA-GCL 46DVA-GCL34 46DVA-CLAA 46DVA-34CLAA	ADT-AAC	TM-4CAA	—	—	4DCAB33	1156CLA ⁵	940106433	
	Co-linear-to-Co-axial Adapter	46DVA-GK 46DVA-CT 46DVA-CLTA 46DVA-34CLTA	ADT-CTB	TM-4CTA	—	—	4DCAT33	—	—	
	DV to B-Vent Adapter	—	—	—	—	—	—	DVA5BV ⁶	—	
Aluminum Flexible Liner	3" or 4" diameter	NOTE: 2-ply liner approved to CAN/ULC S635 suitable for venting gas appliances. As manufactured by Z-Flex, Flexmasters or others.								
		2280 Series	AF3-35L AF4-35L	TM-ALK33 TM-ALK43 TM-ALT33 TM-ALT43	—	—	—	—	952703 952704	
Adjustable Pipe Length and Pipe Extensions 4" x 6-5/8"	Galvanized or Black	46DVA-08A 46DVA-08AB (3" to 7")	4DT-ADJ 4DT-ADJ(B)	—	—	—	4D7A or 4D7AB (3" to 5")	—	94610608 (4" to 8-1/2")	
	Galvanized or Black	46DVA-16A 46DVA-16AB (3" to 14-1/2")	ADT-AJ12 ADT-AJ12B (4" to 10")	TC-4DLS1 TC-4DLS1B	SV4LA SV4LBA	—	4D12A or 4D12AB (3" to 10")	—	94610616 (4" to 16")	
	Galvanized or Black	46DVA-17TA 46DVA-17TAB (11" to 17")	ADT-TL14 ADT-TL14B (14" to 22")	TC-4DLS2 TC-4DLS2B (1-7/8" – 21")	SV4LA12 SV4LBA12	—	4D16A or 4D16AB (3" to 14")	—	—	
	Galvanized or Black	46DVA-24TA 46DVA-24TAB (17" to 24")	ADT-TL38 ADT-TL38B (38" to 70")	TC-4DLA30 TC-4DLA30B (16.5" – 29")	SV4LA24 SV4LBA24	—	4D26A or 4D26AB (3" to 24")	—	—	
	Coaxial Flex	46DVA-36FF 46DVA-60FF 46DVA-120FF	—	—	—	—	—	—	—	
DV 45° Elbows	Galvanized	46DVA-E45	—	TE-4DE45	—	—	4D45L	—	94620645	
	Black	46DVA-E45B	—	TE-4DE45B	SV4EBR45	—	4D45LB	—	94620645B	
	Galvanized Swivel	—	4DT-EL45	—	SV4E45	—	—	—	—	
	Black Swivel	—	4DT-EL45(B)	—	SV4EB45	—	—	—	—	
DV 90° Elbows	Galvanized	46DVA-E90	—	TE-4DE90	—	—	4D90L	—	—	
	Black	46DAV-E90B	—	TE-4DE90B	SV4EBR90	—	4D90LB	—	—	
	Galvanized Swivel	—	4DT-EL90	—	SV4E90	—	—	—	94620690	
	Black Swivel	—	4DT-EL90(B)	—	SV4EB90	—	—	—	94620690B	

Approved Venting Components

Venting Parts Description			Venting Parts Code / availability by Manufacturer							
			DURA-VENT	SELKIRK	ICC EXCEL DIRECT	SECURE VENT	RLH INDUSTRIES	AMERIVENT	MILES INDUSTRIES	BDM
Pipes 4" x 6 5/8" (ID x OD)	6" long	Galvanized	46DVA-06	4DT-06	TC-4DL6	SV4L6	—	—	—	94610606
		Black	46DVA-06B	4DT-06(B)	TC-4DL6B	SV4LB6	—	—	—	90410606B
	7" long	Galvanized	—	—	—	—	—	4D7	—	—
		Black	—	—	—	—	—	4D7B	—	—
	9" long	Galvanized	46DVA-09	4DT-09	TC-4DL9	—	—	—	—	94610609
		Black	46DVA-09B	4DT-09(B)	TC-4DL9B	—	—	—	—	94610609B
	12" long	Galvanized	46DVA-12	4DT-12	TC-4DL1	SV4L12	—	4D12	—	94610612
		Black	46DVA-12B	4DT-12(B)	TC-4DL1B	SV4LB12	—	4D12B	—	94610612B
	18" long	Galvanized	46DVA-18	4DT-18	—	—	—	—	—	94610618
		Black	46DVA-18B	4DT-18(B)	—	—	—	—	—	94610618B
	24" long	Galvanized	46DVA-24	4DT-24	TC-4DL2	SV4L24	—	4D2	—	94610624
		Black	46DVA-24B	4DT-24(B)	TC-4DL2B	SV4LB24	—	4D2B	—	94610624B
	36" long	Galvanized	46DVA-36	4DT-36	TC-4DL3	SV4L36	—	4D3	—	94610636
		Black	46DVA-36B	4DT-36(B)	TC-4DL3B	SV4LB36	—	4D3B	—	94610636B
	48" long	Galvanized	46DVA-48	4DT-48	TC-4DL4	SV4L48	—	4D4	—	94610648
		Black	46DVA-48B	4DT-48(B)	TC-4DL4B	SV4LB48	—	4D4B	—	94610648B
Flashings	Roof Flashing 0/12-6/12		46DVA-F6	4DT-AF6	TF-4FA	SV4FA	—	4DF (0/12-5/12)	—	949606012
	Roof Flashing 7/12-12/12		46DVA-F12	4DT-AF12	TF-4FB	SV4B	—	4DF12 (6/12-12/12)	—	949606712
	Flat Roof Flashing		46DVA-FF	—	TF-4F	SV4F	—	—	—	949606001
	Masonry Flashing		—	—	TF-4MF	—	—	—	559FSK	—
	New Siding Flashing		—	—	—	—	—	—	658NSFK	—
Various Venting System Parts	Wall Thimble		46DVA-WT	4DT-WT	TM-4WT	SV4RSM	—	4DWT	—	949064U
	Storm Collar		46DVA-SC	4DT-SC	TM-SC	SV4AC	—	4DSC	—	94960608
	Decorative Plate		46DVA-DC	4DT-CS	TM-4TR TM-4TP	SV4PF	—	4DFPB	—	94940612
	Cathedral Ceiling Support		46DVA-CS	4DT-CCS	TM-4SS	—	—	4DRSB	—	949506KT
	Ceiling Firestop / Floor Support		46DVA-FS	4DT-FS	TM-4RDS TM-CS	SV4BF SV4SD	—	4DFSP	—	94980612
	Attic Radiation Shield / Firestop		—	ADT-AIS	TM-4AS	—	—	4DAIS12 (12") 4DAIS36 (36")	—	94930620A
	Wall Strap		46DVA-WS	4DTWS	TM-WS	—	—	4DWS	—	949164
	Vinyl Siding Standoff		46DVA-VSS	4DT-VS	TM-VSS	SV4VS	—	4DHVS	—	94800615S
	Elbow Strap / Offset Support		46DVA-ES	4DT-OS	TM-OS	—	—	—	—	949264
	Terminal Guard		46DVA-WG	—	TM-HTS TM-RHTS	—	—	—	845TG 658TG	940164SHRD

- Notes:**
1. Follow instructions supplied with each manufacturer's components.
 2. Unless otherwise specified, all the parts and assemblies from the above table are to be used with 4" x 6-5/8" pipes.
 3. Do not mix components from different vent manufacturers.
 4. Termination caps manufactured by RLH Industries or American Metal Products are from Homestyle Chimney Collection and can be ordered in one of the following finishes: a) aluminium; b) black powder coated; c) solid copper.
 5. Miles Industries Valor Co-linear adapter 1156CLA cannot be used with models 1600. Use only with models 1100, 1400, 1500 and 1700.
 6. The DVA5BV DV to BV adapter can ONLY be installed on the listed models 1100.

Commonwealth of Massachusetts

State of Massachusetts Carbon Monoxide Detector/Vent Terminal Signage Requirements

For all side wall horizontally vented gas fueled equipment installed in every dwelling, building or structure used in whole or in part for residential purposes, including those owned or operated by the Commonwealth and where the side wall exhaust vent termination is less than seven (7) feet above finished grade in the area of the venting, including but not limited to decks and porches, the following requirements shall be satisfied:

1. INSTALLATION OF CARBON MONOXIDE DETECTORS.

At the time of installation of the side wall horizontal vented gas fueled equipment, the installing plumber or gas fitter shall observe that a hard wired carbon monoxide detector with an alarm and battery back-up is installed on the floor level where the gas equipment is to be installed. In addition, the installing plumber or gas fitter shall observe that a battery operated or hard wired carbon monoxide detector with an alarm is installed on each additional level of the dwelling, building or structure served by the side wall horizontal vented gas fueled equipment. It shall be the responsibility of the property owner to secure the services of qualified licensed professionals for the installation of hard wired carbon monoxide detectors.

a. In the event that the side wall horizontally vented gas fueled equipment is installed in a crawl space or an attic, the hard wired carbon monoxide detector with alarm and battery back-up may be installed on the next adjacent floor level.

b. In the event that the requirements of this subdivision can not be met at the time of completion of installation, the owner shall have a period of thirty (30) days to comply with the above requirements; provided, however, that during said thirty (30) day period, a battery operated carbon monoxide detector with an alarm shall be installed.

2. APPROVED CARBON MONOXIDE DETECTORS. Each carbon monoxide detector as required in accordance

with the above provisions shall comply with NFPA 720 and be ANSI/UL 2034 listed and IAS certified.

3. SIGNAGE. A metal or plastic identification plate shall be permanently mounted to the exterior of the building at a minimum height of eight (8) feet above grade directly in line with the exhaust vent terminal for the horizontally vented gas fueled heating appliance or equipment. The sign shall read, in print size no less than one-half (1/2) inch in size, "GAS VENT DIRECTLY BELOW. KEEP CLEAR OF ALL OBSTRUCTIONS".

4. INSPECTION. The state or local gas inspector of the side wall horizontally vented gas fueled equipment shall not approve the installation unless, upon inspection, the inspector observes carbon monoxide detectors and signage installed in accordance with the provisions of 248 CMR 5.08(2)(a)1 through 4.

(b) EXEMPTIONS: The following equipment is exempt from 248 CMR 5.08(2)(a)1 through 4:

1. The equipment listed in Chapter 10 entitled "Equipment Not Required To Be Vented" in the most current edition of NFPA 54 as adopted by the Board; and

2. Product Approved side wall horizontally vented gas fueled equipment installed in a room or structure separate from the dwelling, building or structure used in whole or in part for residential purposes.

(c) MANUFACTURER REQUIREMENTS - GAS EQUIPMENT VENTING SYSTEM PROVIDED. When the manufacturer of Product Approved side wall horizontally vented gas equipment provides a venting system design or venting system components with the equipment, the instructions provided by the manufacturer for installation of the equipment and the venting system shall include:

1. Detailed instructions for the installation of the venting system design or the venting system components; and

Commonwealth of Massachusetts

2. A complete parts list for the venting system design or venting system.

(d) MANUFACTURER REQUIREMENTS - GAS EQUIPMENT VENTING SYSTEM NOT PROVIDED.

When the manufacturer of a Product Approved side wall horizontally vented gas fueled equipment does not provide the parts for venting the flue gases, but identifies "special venting systems", the following requirements shall be satisfied by the manufacturer:

1. The referenced "special venting system" instructions shall be included with the appliance or equipment installation instructions; and
2. The "special venting systems" shall be Product Approved by the Board, and the instructions for that system shall include a parts list and detailed installation instructions.

(e) A copy of all installation instructions for all Product Approved side wall horizontally vented gas fueled equipment, all venting instructions, all parts lists for venting instructions, and/or all venting design instructions shall remain with the appliance or equipment at the completion of the installation.

Appendix A - Lighting Instructions Plate



FOR YOUR SAFETY, READ BEFORE LIGHTING

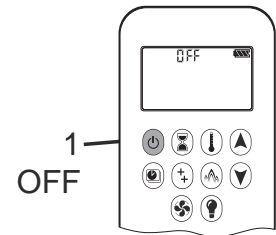
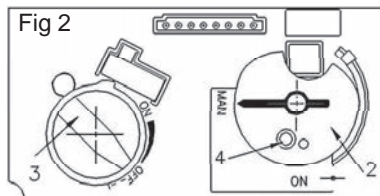
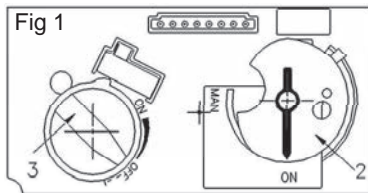
WARNING: If you do not follow these instructions exactly a fire or explosion may result causing property damage, personal injury or loss of life.

- A. This appliance has a pilot which must be lighted by hand or by remote control. Follow these instructions exactly. To save gas, turn the pilot off when not using the appliance for a prolonged period of time.
- B. BEFORE LIGHTING, smell all around the appliance area for gas. Be sure to smell next to the floor because some gas are heavier than air and will settle on the floor.

WHAT TO DO IF YOU SMELL GAS

- Do not try to light any appliance.
 - Do not touch any electric switch; do not use any phone in your building.
 - Immediately call your gas supplier from a neighbor's phone. Follow the gas supplier's instructions.
 - If you cannot reach your gas supplier, call the fire department.
- C. Use only your hand to push in or turn the control knobs. Never use tools. If the knobs will not push in or turn by hand, don't try to repair them; call a qualified service technician. Force or attempted repair may result in a fire or explosion.
- D. Do not use this appliance if any part has been under water. Immediately call a qualified service technician to inspect the appliance and to replace any part of the control system and any gas control, which has been under water.

LIGHTING INSTRUCTIONS



1. STOP! Read the safety information above

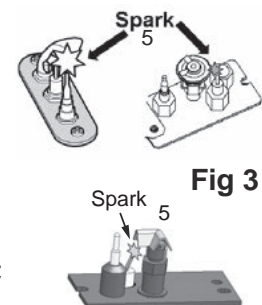
2. TO CLEAR ANY GAS, turn main valve off by pressing the button on remote handset (1). Wait five (5) minutes to clear out any gas, then smell for gas, including near the floor. If you smell gas, STOP! follow "B" in the safety information above on this label. If you don't smell gas, go to the next step.

3. AUTOMATIC IGNITION: MAN-knob (2) in ON position. Ensure Flame Adjustment knob (3) is set to lowest setting (Fig. 1). Locate the pilot (Fig. 3.) inside the firebox.

On the remote control handset, press the button; a short acoustic signal confirms the start has begun. Further short acoustic signals indicate the ignition process is in progress. When the pilot is lit, the Flame Adjustment knob (3) will automatically rotate to the highest setting. Press the button on the remote control handset to reduce the flame height.

4. MANUAL IGNITION: MAN-knob (2) in MAN position (Fig. 2).

With the window off, locate the pilot (Fig. 3) inside the firebox. Set Flame Adjustment knob (3) to the lowest setting. Push down the metallic core (4) with a pen or similar instrument; this will establish the pilot gas flow. Light gas at the pilot (5) with a match. Continue holding down metal core (4) for about 10 seconds; after release, pilot should remain lit. If the pilot will not stay lit after several tries, turn the gas control knob (3) to OFF and call your local service technician or gas supplier. Reinstall the window and set the MAN-knob (2) to ON; turn Flame Adjustment knob (3) up or down manually or use the and buttons on the remote control handset to adjust the flame height.



TO TURN OFF GAS TO APPLIANCE

AUTOMATIC SHUT-OFF (using the remote control handset):

Press and hold the button on the remote control handset to shut-off the main burner gas flow.

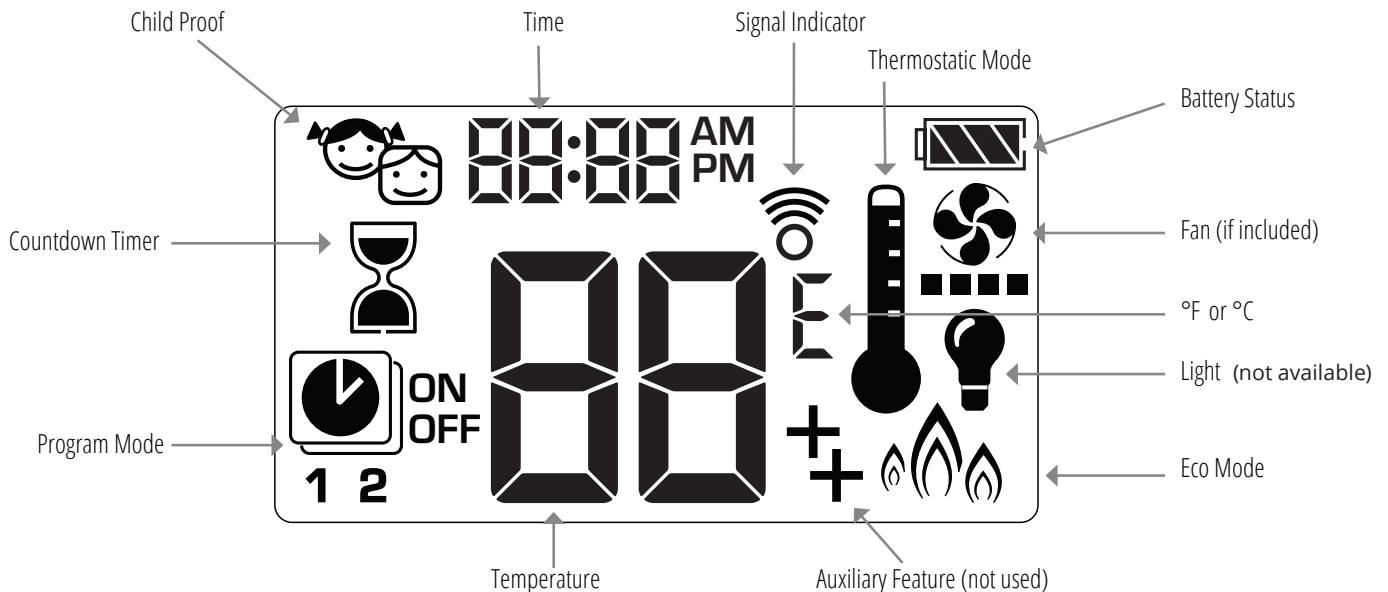
Press the button on remote handset to shut-off the appliance, including pilot flame.

Appendix B - Remote Control Operation

Initial Pairing

Before the remote control can be used with the fireplace, it must be paired. See Remote Control Set-Up on page 67.

Main Display



To Turn On Fire

NOTE: When pilot ignition is confirmed, motor automatically turns to maximum flame height.

One-Button lighting (default):

Two-Button lighting: + simultaneously

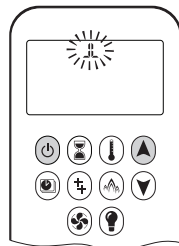
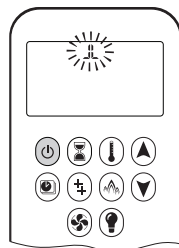
Press and hold for 4 seconds, until 8 short beeps and a blinking series of lines confirms the start sequence has begun. Release button.

Main gas flows once pilot ignition is confirmed.

Handset automatically goes into manual mode after main burner ignition.

Standby Mode (Pilot Flame)

Press and hold to set appliance to pilot flame.



CAUTION: If the pilot does not stay lit after several tries call your local service technician or gas supplier.

To Turn Off Fire

Press to turn OFF.

Note: There is a 2 minute delay after switching off before the next ignition is possible.



CAUTION: Always check the fire and pilot visually to ensure they are off.

Flame Height Adjustment


To increase flame height, press and hold .

To decrease flame height, press and hold . You may hold the button down until the fire is set to pilot flame only.

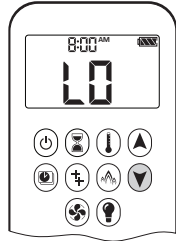



Appendix B - Remote Control Operation

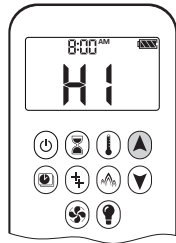
Designated Low Fire and High Fire

To go to low fire, double-click , "LO" is displayed.

Note: Flame goes to high fire first before going to low fire.




To go to high fire, double-click , "HI" is displayed.



Choosing 1-Button or 2-Button Ignition

On the remote control handset, you can choose a 1-button or 2-button ignition. You can also choose to activate or deactivate some of the functions. By default, the handset is set to a 1-button ignition.

To change from 1-button to 2-button ignition, remove the batteries, wait 10 seconds, reinsert batteries, and immediately when the display flashes, press and hold the  button for 10 seconds. **ON** is displayed and **1** is flashing. When change is complete, **1** changes to **2**.

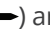
To change from 2-button to 1-button ignition, proceed the same as above. **ON** is displayed and **2** is flashing. When change is complete, **2** changes to **1**.

Deactivating or Activating Functions

These functions are active by default, but can be deactivated at any time:

- Child Proof
- Program Mode
- Thermostatic Mode
- Eco Mode
- Circulating Fan Operation
- Countdown Timer

To deactivate functions:



1. Install batteries. All icons are displayed and flashing.
2. While the icons are flashing, press the relevant function button and hold for 10 seconds.
3. The function icon will flash until deactivation is complete. Deactivation is complete when the function icon and two horizontal bars () are displayed.

Note: If a deactivated button is pressed, there is no function, and the two horizontal bars are displayed.

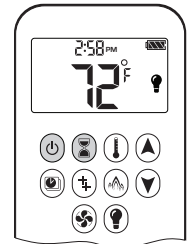
To activate functions:

1. Install batteries. All icons are displayed and flashing.
2. While the icons are flashing, press the relevant function button and hold for 10 seconds.
3. The function icon will continue to flash until activation is complete, and then turn solid. Activation is complete when the function icon is displayed.















Setting Celsius or Fahrenheit

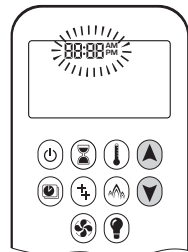
To change between °C and °F, press and hold  +  simultaneously.

Note : °C = 24-hour clock
°F = 12-hour clock



Setting the Time

1. Press  +  simultaneously. **Day** flashes.
2. Press  +  to select a number to correspond with the day of the week.
 - 1 = Monday
 - 2 = Tuesday
 - 3 = Wednesday
 - 4 = Thursday
 - 5 = Friday
 - 6 = Saturday
 - 7 = Sunday
3. Press  +  simultaneously. **Hour** flashes.
4. To select hour press  or .
5. Press  +  simultaneously. **Minutes** flash.
6. To select minutes press  or .
7. To confirm, press  +  simultaneously or wait.



Appendix B - Remote Control Operation

Child Proof

Your handset can be set to lock out all commands to the fireplace, except OFF.

To turn Child Proof ON:

1. Press and hold + simultaneously.
2. is displayed. Child Proof is now active.

To turn Child Proof OFF:

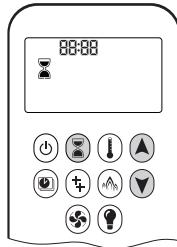
1. Press and hold + simultaneously.
2. disappears. Child Proof is now inactive, and the handset has full function.

Countdown Timer

You can set your fireplace to automatically turn off at the end of a timer.

To set a Countdown Timer:

1. Press and hold until is displayed.
Hour flashes.
2. Press or to select Hour.
3. To confirm, press .
- Minutes** flash.
4. Press or to select Minutes.
5. To confirm, press or wait.



To turn off a Countdown Timer:

1. Press , and the countdown disappears.

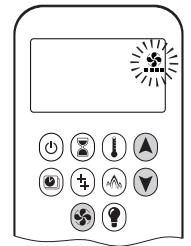
Note: The Countdown Timer only works in Manual, Thermostatic, and Eco modes. Maximum countdown time is 9 hours and 50 minutes.

Light/Dimmer Operation (not available)

Circulating Fan Operation (if installed)

Setting:

1. Press and hold until flashes.
2. Press to increase or to decrease fan speed.
3. To confirm setting, either press or wait. is displayed.



Off:

Press until all 4 speed level bars disappear.

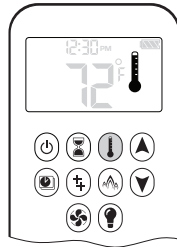
Note: When setting, if the fan was not switched off after last use, it starts automatically 4 minutes after ignition at maximum speed, and goes to the last set level after 10 seconds. The fan stops 10 minutes after the gas is OFF or at pilot.

Appendix B - Remote Control Operation

Modes of Operation

Thermostatic Mode

The room temperature is measured and compared to the set temperature. The flame height is automatically adjusted to achieve the set temperature.



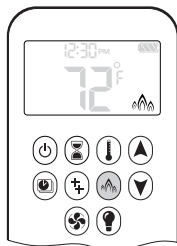
Program Mode


The temperature is controlled by Programs 1 and 2, each of which can be set to go on and off at specific times, at a set temperature.



Eco Mode

Flame height modulates between high and low. If the room temperature is lower than the set temperature, the flame height stays on high for a longer period of time. If the room temperature is higher than the set temperature, the flame height stays on low for a longer period of time. One cycle lasts approximately 20 minutes.





 If any of the above modes (Thermostatic, Program, or Eco) are engaged by the MyFire app over WiFi, the handset will display **APP**.

Manual Mode

The on/off status of the fireplace, as well as flame height, are manually controlled by the user.






Thermostatic Mode

On:

Press .  is displayed. Preset temperature displays briefly, followed by the room temperature.








Setting Desired Temperature:

1. Press and hold  until  is displayed and set temperature flashes.
2. To adjust set temperature, press  or .
3. To confirm, press  or wait.



Off:

1. Press .
2. Press  or  to go to Manual Mode.
3. Press  to go to Program Mode.
4. Press  to go to Eco Mode.


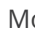



Program Mode

On:

Press . , **1** or **2**, **ON** or **OFF** are displayed.



Off:

1. Press , , or  to go to Manual Mode.
2. Press  to go to Thermostatic Mode.
3. Press  to go to Eco Mode.







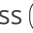
Note: The set temperature for Thermostatic Mode is the temperature for the ON time in Program Mode. Changing the Thermostatic Mode set temperature also changes the ON time temperature in Program Mode.

Default Settings:

- ON TIME (Thermostatic) TEMPERATURE: 70°F / 21°C
- OFF TIME TEMPERATURE: "— —" (pilot flame only)

Appendix B - Remote Control Operation




Temperature Setting:

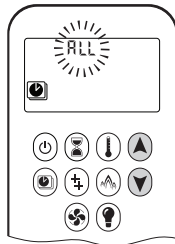
1. Press and hold  until  flashes. **ON** and set temperature (set in Thermostatic Mode) is displayed.
2. To continue, press  or wait.  **OFF** displayed, temperature flashes.
3. Select off temperature by pressing  or .
4. To confirm, press .



Note: The on (Thermostatic) and off set temperatures are the same for each day.









Day Setting:

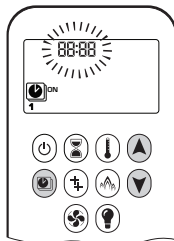
1. **ALL** flashes. Press  or  to choose between:
 - **ALL** = same settings ON-OFF every day
 - **SA:SU** = same settings ON-OFF Saturday and Sunday
 - **1, 2, 3, 4, 5, 6, 7** = daily timer—unique ON-OFF settings for a single day of the week, for multiple days of the week or for every day of the week.
2. To confirm, press .











ALL Selected (same settings every day)

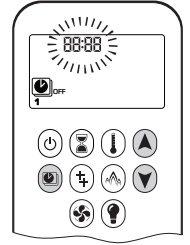
On Time Setting (PROGRAM 1)

1. , **1, ON** are displayed. **ALL** is displayed briefly. Hour flashes.
2. To select hour, press  or .
3. To confirm, press . , **1, ON** are displayed. **ALL** displayed briefly. Minutes flash.
4. To select minutes, press  or .
5. To confirm, press .



Off Time Setting (PROGRAM 1)

1. , **1, OFF** are displayed. **ALL** is displayed briefly. Hour flashes.
2. To select hour, press  or .
3. To confirm, press . , **1, OFF** are displayed. **ALL** displayed briefly. Minutes flash.
4. To select minutes, press  or .
5. To confirm, press .



Note: Either continue to PROGRAM 2 and set ON and OFF times or stop programming at this point, and PROGRAM 2 remains deactivated.

Note: PROGRAM 1 and 2 use the same ON (Thermostatic) and OFF temperatures. Once a new ON (Thermostatic) and/or OFF temperature has been set, that temperature becomes the new default setting.

Note: ON and OFF times programmed for PROGRAM 1 and PROGRAM 2 become the new default times.



The batteries must be removed to clear the PROGRAM 1 and PROGRAM 2 ON and OFF times and temperatures.

SA:SU (same settings Saturday and Sunday) or 1, 2, 3, 4, 5, 6, 7 (different settings on different days)

- Set on time and off time using the same procedure as "ALL Selected" above.
- Waiting to finish setting.

Eco Mode

On:

Press  button to enter Eco Mode.  is displayed.

Flame height modulates between high and low every 20 minutes.

Off:

Press  button to exit Eco Mode.  disappears.

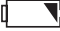


Appendix B - Remote Control Operation

Low Battery Indication

⚠ CAUTION: Do not use a screwdriver or other metallic object to remove the batteries from the battery holder or the handset. This could cause a short circuit.

Handset

The battery icon  will show when the battery needs to be replaced. Replace with two 1.5 V AAA alkaline batteries.

Receiver

Frequent beeps for 3 seconds when the motor turns indicate the batteries in the battery holder need to be replaced. Replace with four 1.5 V AA alkaline batteries.

Automatic Shut Off

Countdown Timer

At the end of countdown time period, the fire turns off. The Countdown Timer only works in Manual, Thermostatic, and Eco Modes. Maximum countdown time is 9 hours and 50 minutes.

Low Battery Receiver

With low battery power in the battery holder, the system shuts off the fire completely. (This will not happen if the power is completely interrupted.)

Seven Day Shut Off

The system shuts off the fire completely if there is no change in flame height for 7 days.

Automatic Turn Down



3 Hour No Communication Function

The valve will turn to pilot flame if there is no communication between the handset and receiver for a 3-hour period. The fire will continue to function normally when communication is restored.

Appendix B - Remote Control Operation

Error Codes

In the event of an error condition with the handset or fireplace, the handset will display an error code.

Failure Code	Message on Handset	Duration of Display	Symptom	Possible Cause
F04	F04	4 sec	<ul style="list-style-type: none"> No pilot flame within 30 sec Note: after 3 failed ignition sequences, F06 shown 	<ul style="list-style-type: none"> No gas supply Air in pilot supply line No spark Reversed polarity in thermocouple wiring
F06	F06	4 sec	<ul style="list-style-type: none"> 3 failed ignition sequences in 5 minutes Fire is not responding, no pilot flame 	<ul style="list-style-type: none"> No gas supply Air in pilot supply line No spark Reversed polarity in thermocouple wiring Incorrect pilot orifice if valve has been converted from LPG to NG or vice versa
F07	Low battery symbol 	Permanent	<ul style="list-style-type: none"> Battery icon flashes on handset display 	<ul style="list-style-type: none"> Low battery in handset
F09	F09	4 sec	<ul style="list-style-type: none"> Fire is not responding No electronic control of fire 	<ul style="list-style-type: none"> Down arrow button  was not pressed during pairing Receiver and handset are not synced
F46	F46	4 sec	<ul style="list-style-type: none"> Fire is not responding Intermittent response No electronic control of fire 	<ul style="list-style-type: none"> No or bad connection between receiver and handset No power at receiver (batteries low) Low communication range (mains adapter faulty, handset not communicating with receiver)


Appendix C - Wall Switch Operation

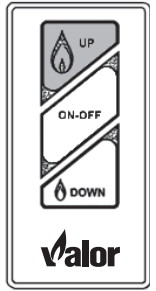
The Wall Switch can be used to control your fireplace. You can turn the pilot on or off and you can increase or decrease the flame height.

Note that the thermostat and programming functions are not available with the wall switch.



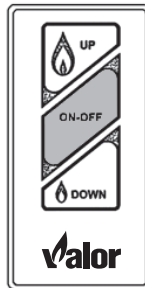
Adjusting Flame Height


Press and hold large flame  button to gradually increase flame height.

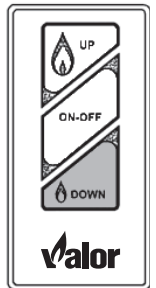


Turning Appliance ON and OFF

Press ON-OFF button once to light pilot. Press again to shut off pilot.



Press and hold small flame  button to gradually decrease flame height.



Appendix D - HeatShift System

HeatShift™ System

Planning Installation: H5–H6 with HeatShift®

Instructions for use with following **Valor Heater Models: 1100J & M, 1150J, 1400J, K and M**
Incompatible with earlier models 1100I, 1150I and 1400I

Application

HeatShift™ System™ redistributes the warm air flow away from the fireplace opening to a more desirable location using natural convection without use of a fan.

Plenums LKD1, LDK3, LDK4 or LDK9: the warm air flow is relocated to a position higher up the wall, out the sidewalls, or even to an adjacent room.

Termination Plates LDK7: the warm air flow is discharged through a gap (min. 2-1/2") between the wall above the fireplace and the ceiling. **LDK7's discharge opening must be located in the same room as the fireplace.**

The result is much cooler wall temperatures above the fireplace opening for locating televisions, artwork, etc.

The 1195CFK Circulating Fan Kit is not recommended when installing the HeatShift System.

Any kit, LDK1, LDK3, LDK4, LDK7 or LDK9 may be used with any of the model fireplaces H5 or H6 listed above.

As a further option, the warm airflow may be extracted away from the duct kit plenum (**LDK1 and LDK4 ONLY**) by connecting a 1270RBK Remote Blower Kit to the duct kit plenum.

HeatShift is compatible with the listed fireplaces only. Earlier version fireplaces will not accept HeatShift.

Note: These instructions are to be used in conjunction with the fireplace's installation instructions.

The use of HeatShift will permit lower mantel clearances to be used—see *Combustible Mantel Clearances* in this manual. These lower mantel clearances **must ONLY be used when HeatShift system is installed and the internal convection baffle has been removed.**

Approvals

The LDK1, LDK3, LDK4, LDK7 and LDK9 duct kits are CSA approved for use only with Valor Series fireplaces listed above—DO NOT use with any other models.

HeatShift system may also be used to reduce wall surface temperatures on approved outdoor installations.

5-inch diameter ducts used with this kit must be metal and meet requirements of UL-181 Class 1 Air Duct. Flexible aluminum duct is acceptable provided it meets the UL-181 Class 1 requirements.

WARNING

All fireplaces listed above require the removal of the internal convection baffle for this system to function properly—read instructions carefully!

WARNING

DO NOT cover or place objects in front of or on top of air outlet(s). AVOID locating outlet within 7 feet above floor level as discharge temperatures are hot!

WARNING

When placing discharge close to ceilings, staining or streaking may occur on light colored ceilings due to any dust, etc. in air flow; placing plenum(s) lower on the wall will help reduce the possibility of staining or streaking.

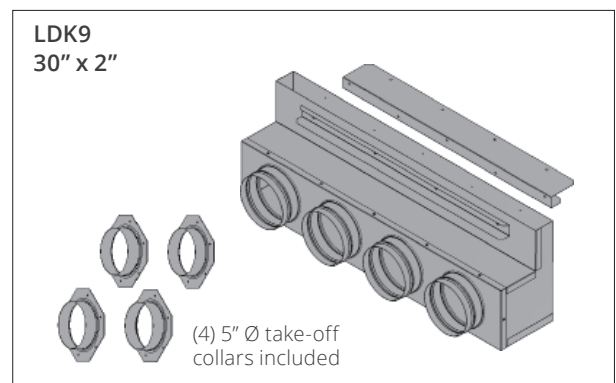
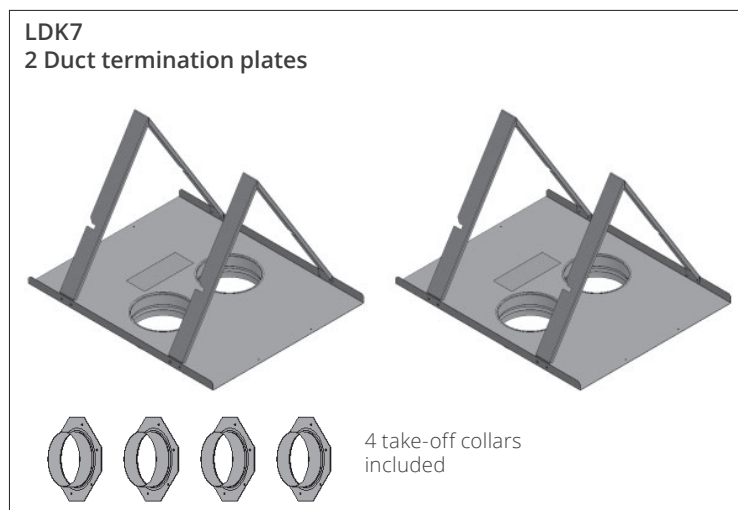
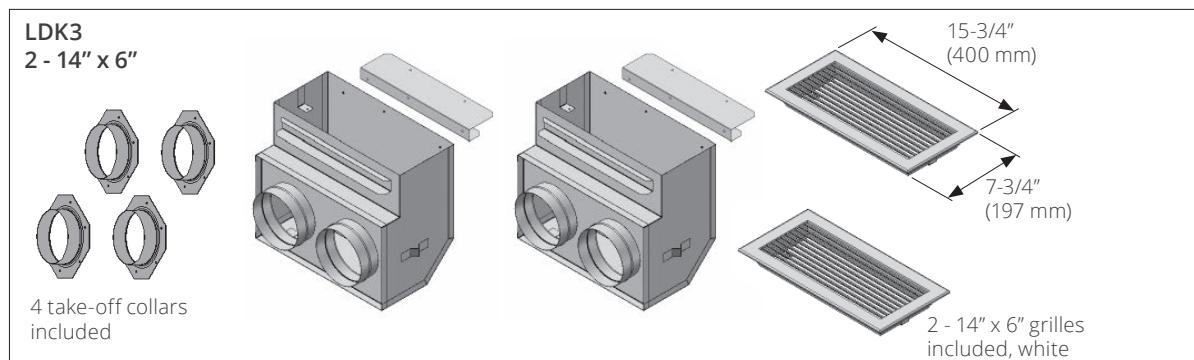
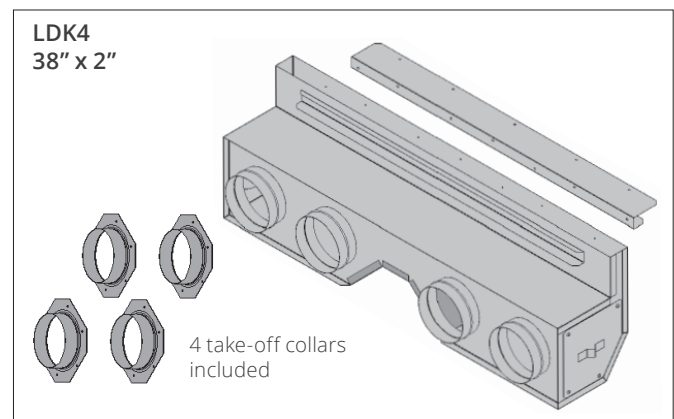
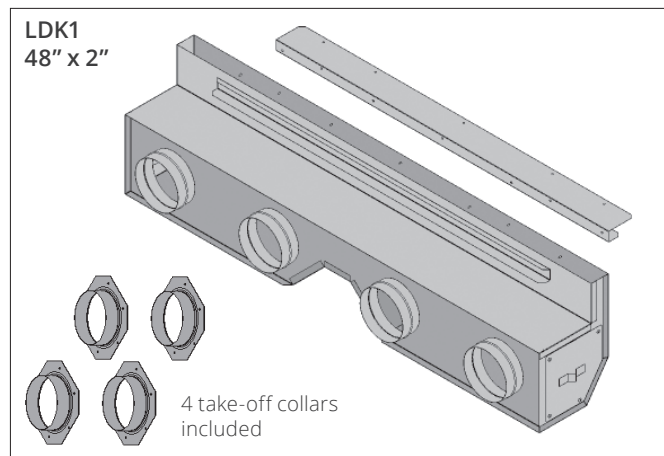
Appendix D - HeatShift System

Kits

There are 5 kits to choose from:

- LDK1—48" Plenum
- LDK3—14" Plenums (2), includes grilles
- LDK4—38" Plenum
- LDK7—Duct Termination Plates (2)—for wall valance discharge ONLY
- LDK9—30" Plenum

Kits Contents

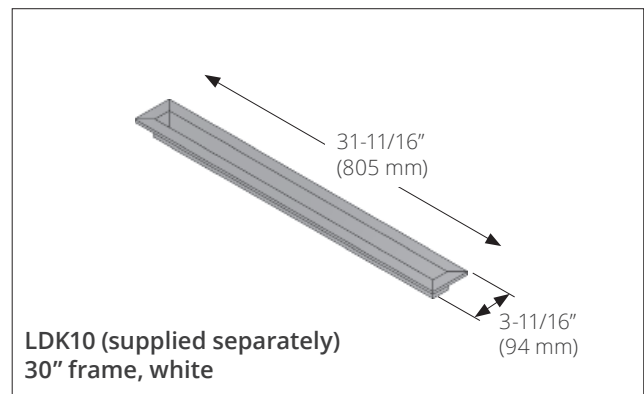
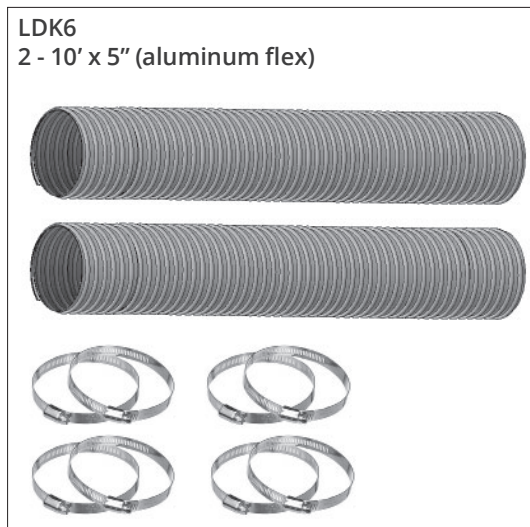
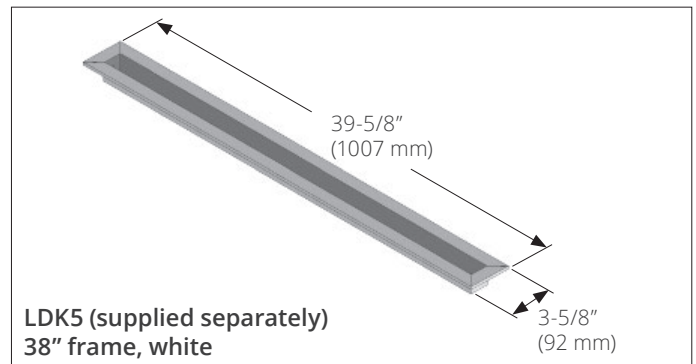
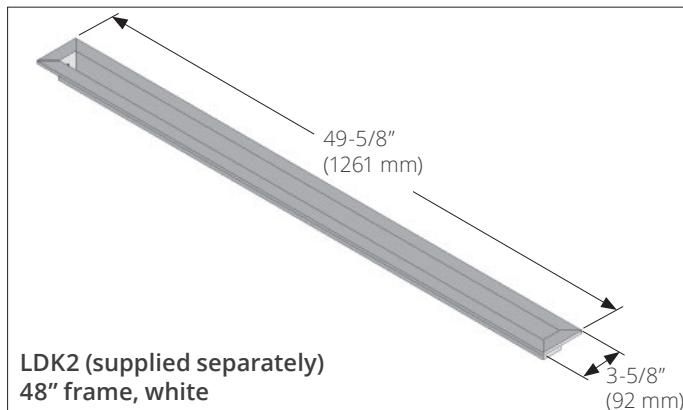


Appendix D - HeatShift System

Optional accessories

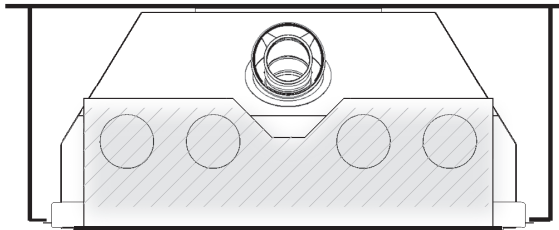
- LDK2—48" Finishing Frame, to use with LDK1
- LDK5—38" Finishing Frame, to use with LDK4
- LDK6— 5" dia Aluminum 2-ply Flex Kit—
2 x 10'-0" lengths, may be cut to required length
- LDK10—30" Finishing Frame, to use with LDK9

Kits Contents

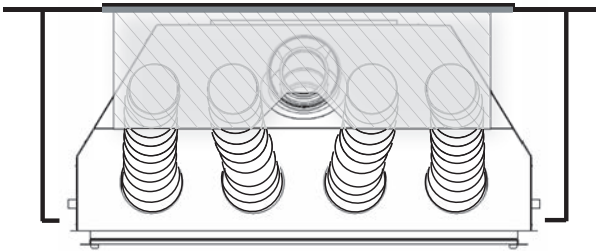


Appendix D - HeatShift System

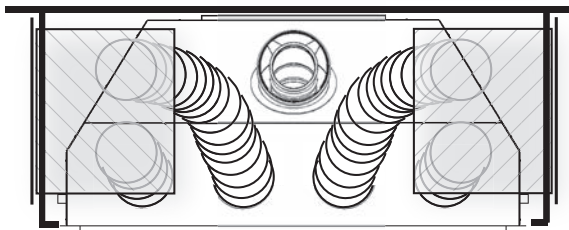
Suggested Configurations Not to scale



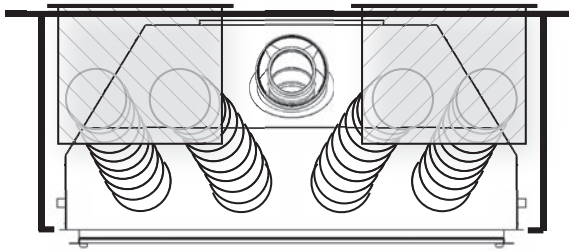
Front wall outlet using LDK1, LDK4 or LDK9



Rear wall outlet using LDK1, LDK4 or LDK9
Note: Fireplace vent may conflict with plenum. Offset vent around plenum.

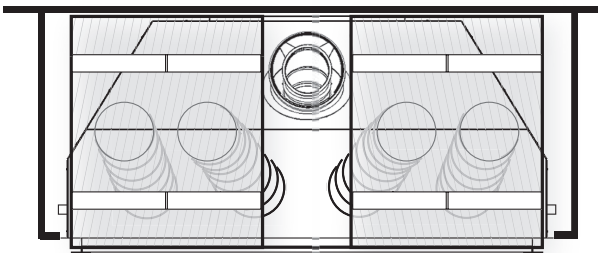


Side wall outlets using LDK3



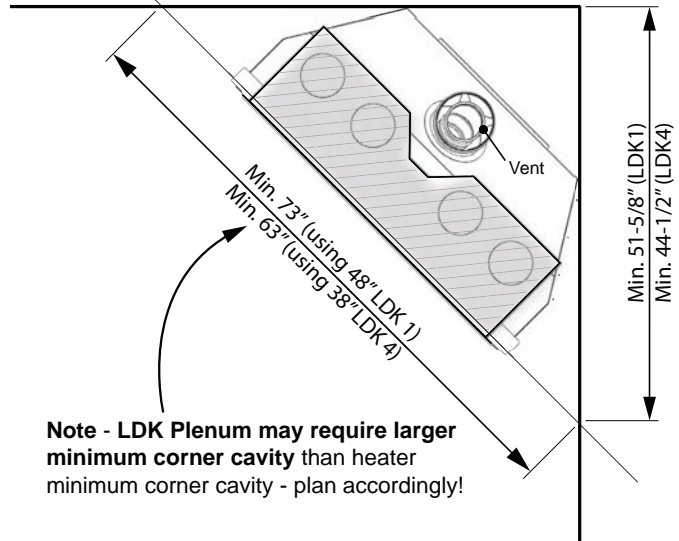
Rear wall outlets using LDK3

Note - When using LDK7, the discharge opening must be located in the same room as the fireplace



With LDK7

Corner installations



Note - LDK Plenum may require larger minimum corner cavity than heater minimum corner cavity - plan accordingly!

⚠ WARNING

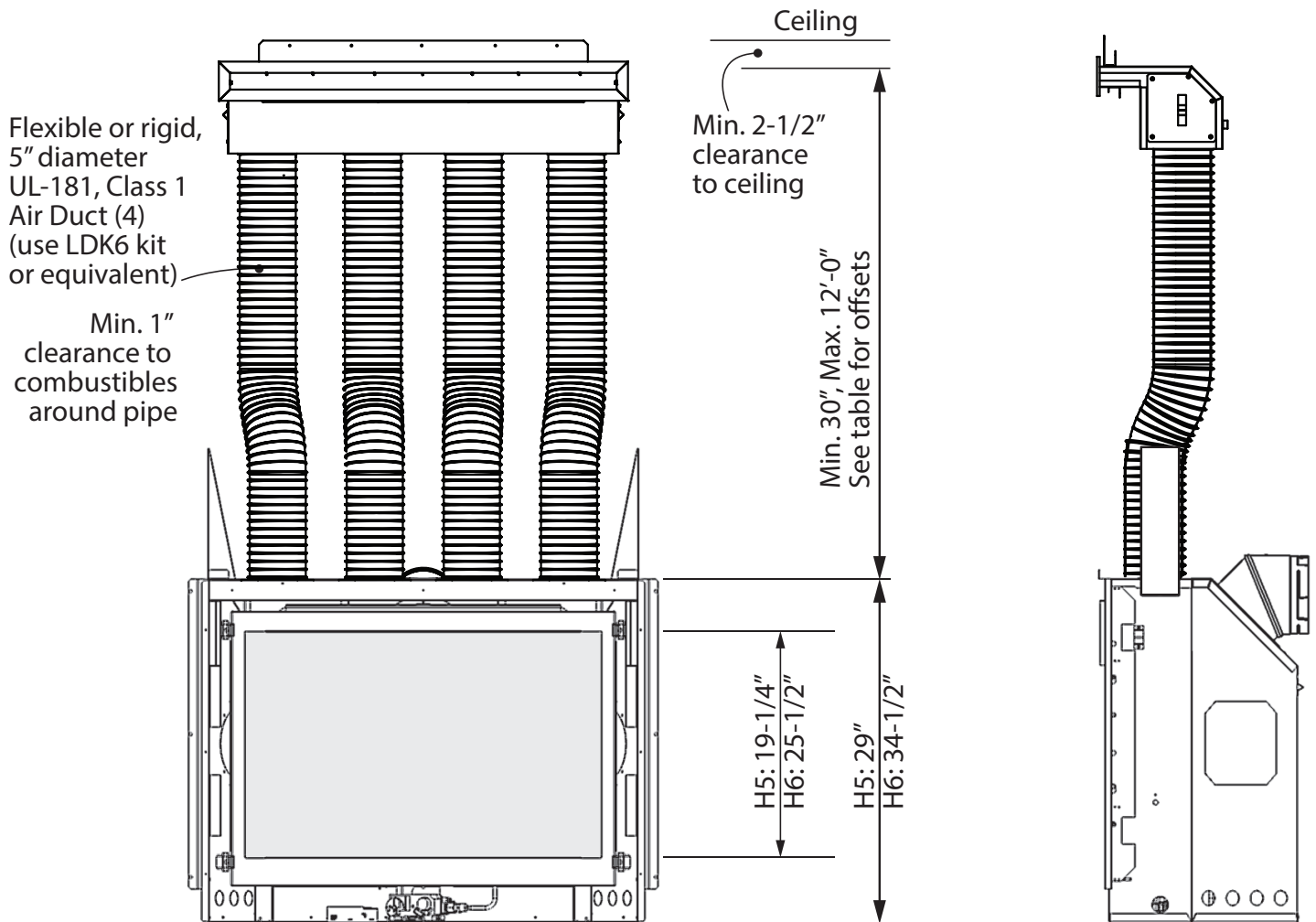
The plenum duct kits are approved for horizontal discharge ONLY. The termination duct plates are approved for vertical upward discharge ONLY. DO NOT install plenum or termination plates in floor or ceiling. DO NOT COVER OR PLACE objects in front of or on top of air outlet(s). AVOID locating outlet within 7 feet of the floor level as discharge air temperatures are hot!

DO NOT DISCHARGE THROUGH EXTERIOR WALLS!

NOTE This duct kit may also be used for outdoor installations where reduced wall surface temperatures above the unit are desired. The discharge grilles must be located under the weatherproof enclosure described in the GV60CKO Outdoor Fireplace Conversion Kit instructions.

Appendix D - HeatShift System

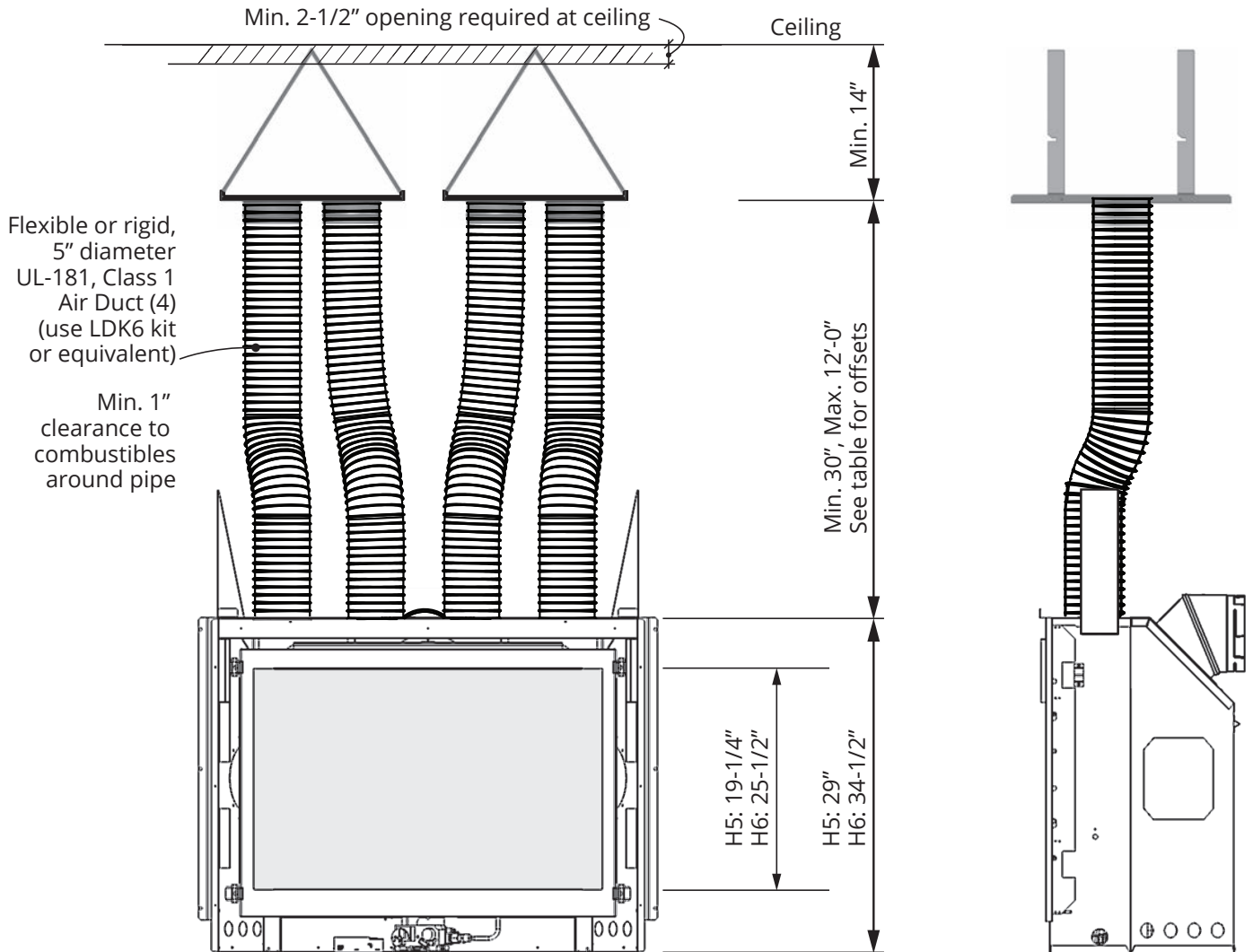
Overview (applies to LKD1, LDK3, LDK4 and LDK9 kits)



Appendix D - HeatShift System

Overview (applies to LDK7)

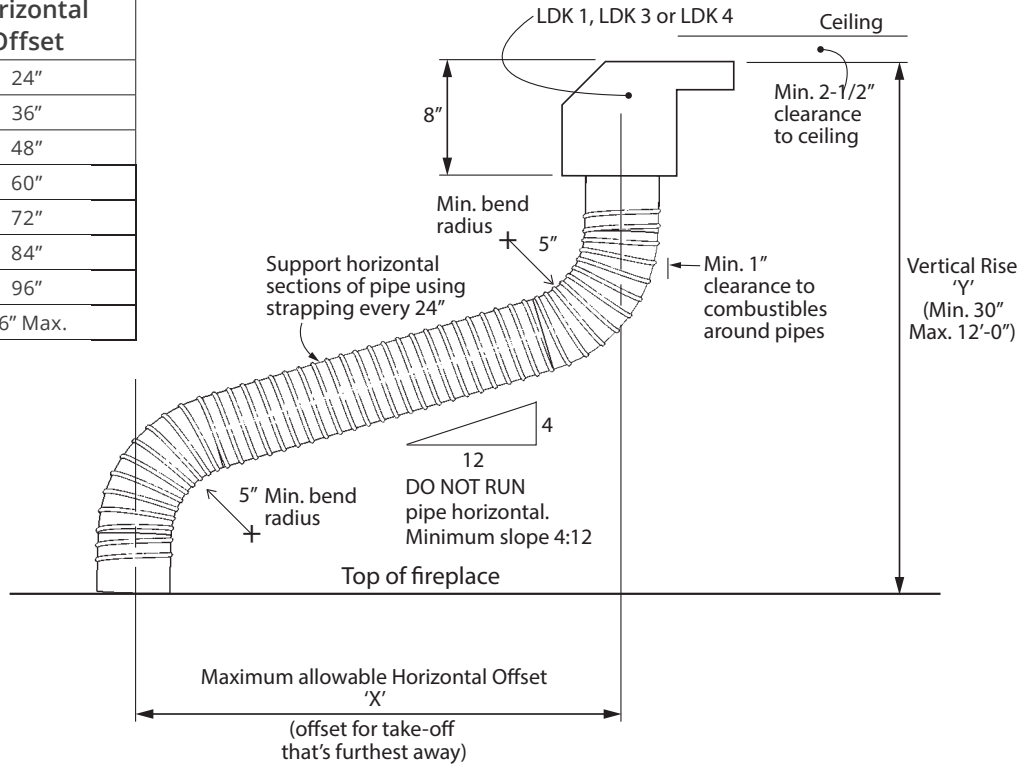
NOTE Discharge opening must be located in the same room as fireplace when using LDK7.



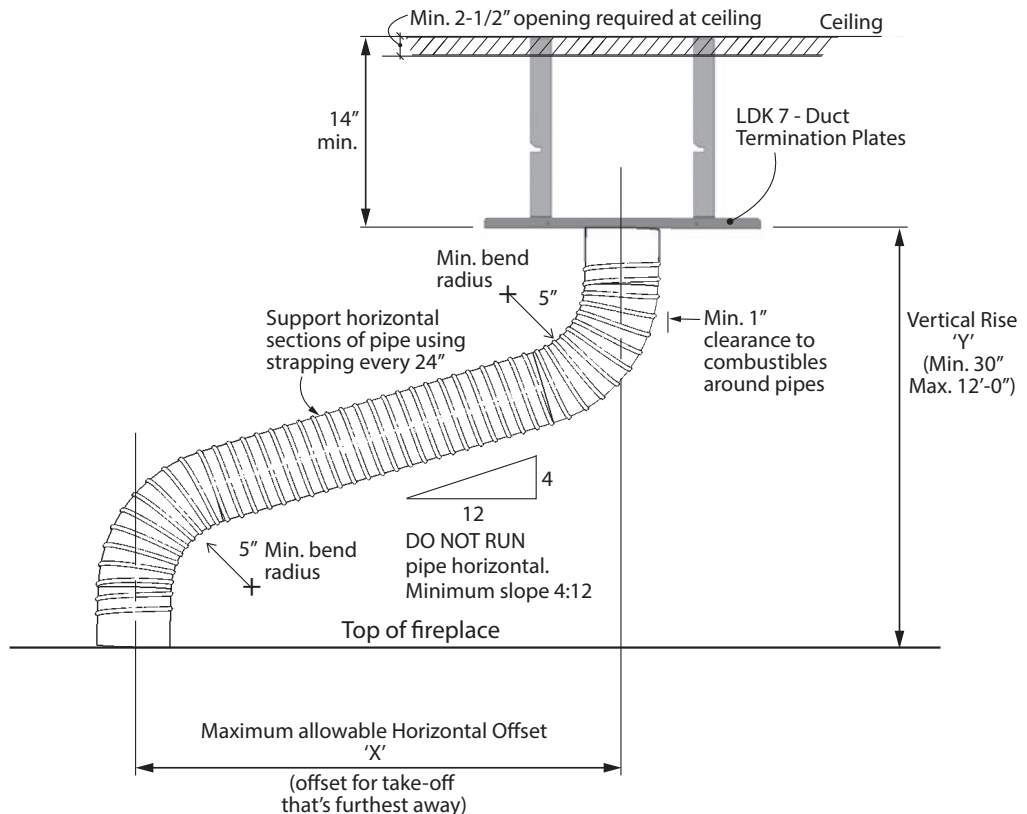
Appendix D - HeatShift System

Y Vertical Rise	X Max. Allowable Horizontal Offset
30"	24"
36"	36"
42"	48"
48"	60"
54"	72"
60"	84"
66"	96"
12'-0"	96" Max.

With Plenum



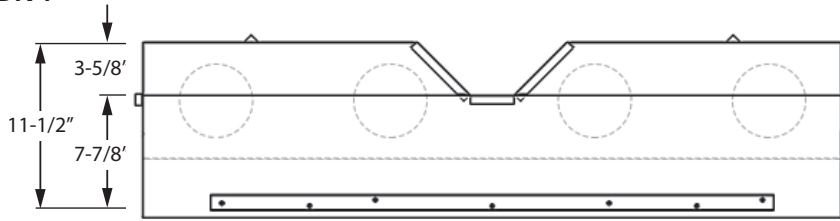
With Plates



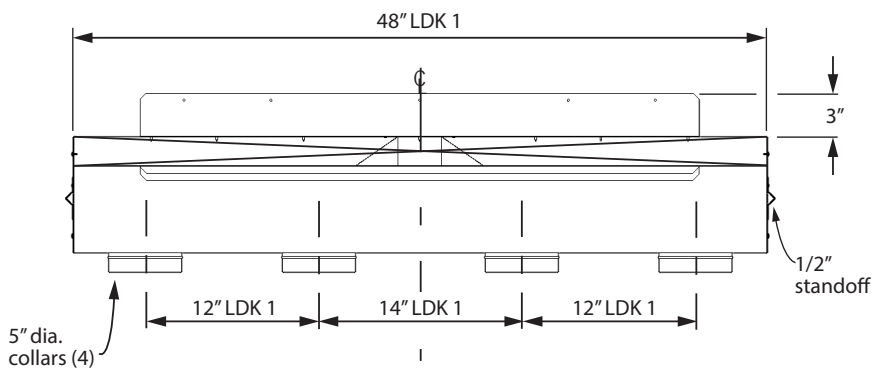
Appendix D - HeatShift System

Plenum Dimensions

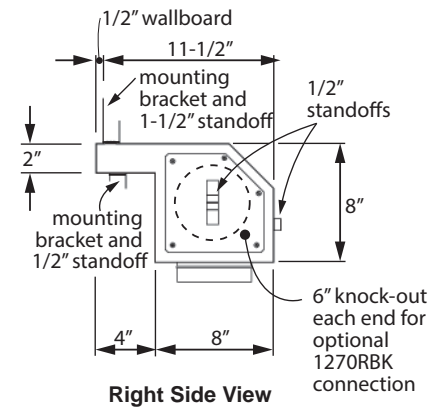
LDK 1



Top View

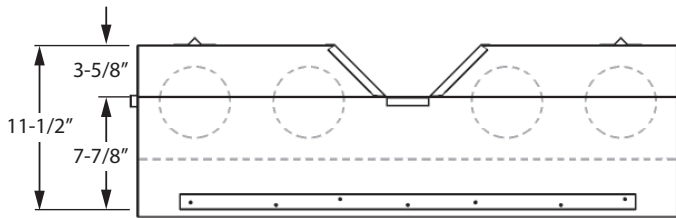


Front View

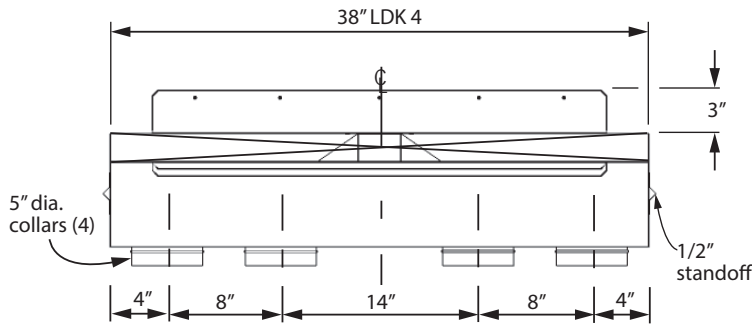


Right Side View

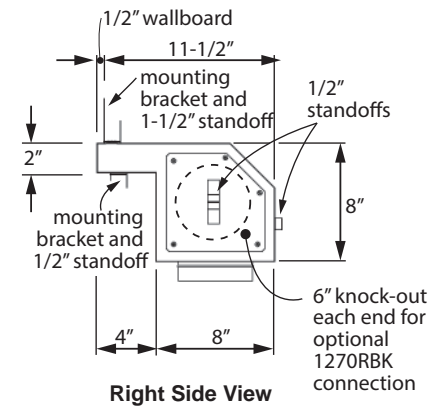
LDK 4



Top View



Front View

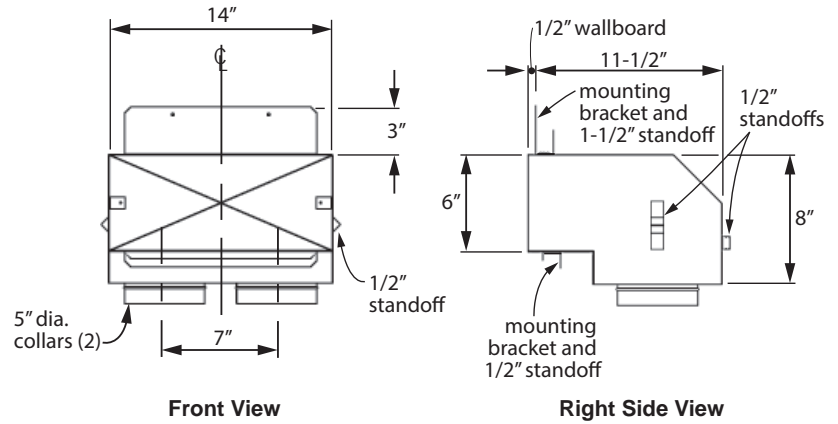


Right Side View

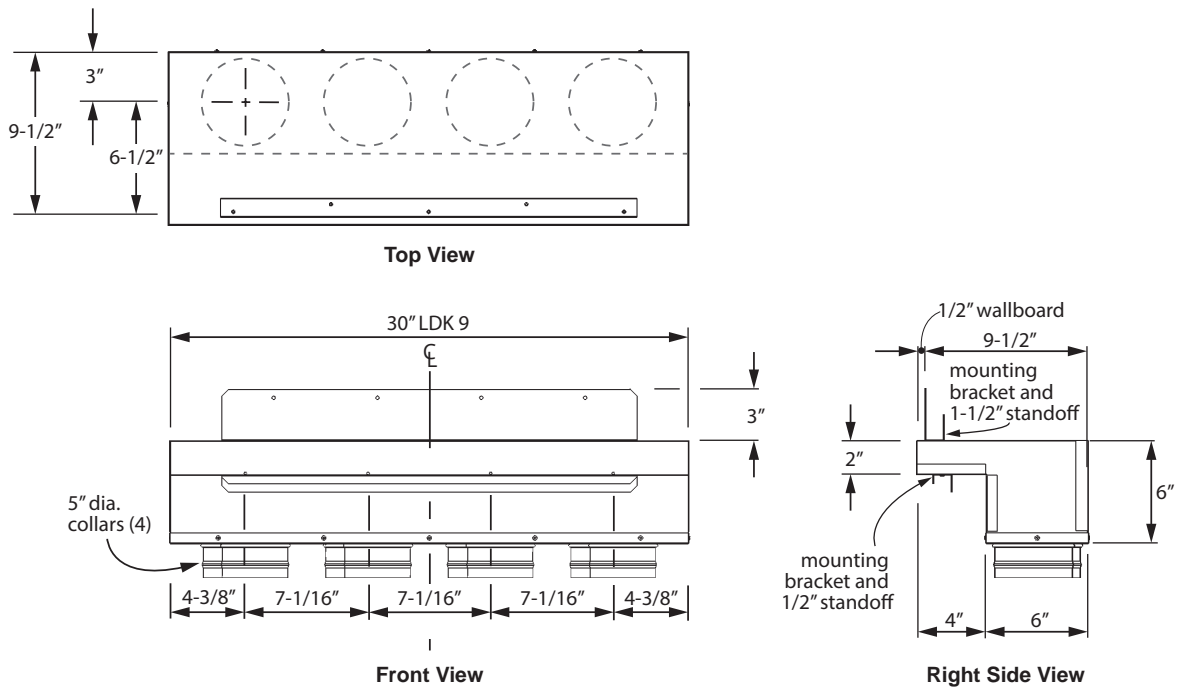
Appendix D - HeatShift System

Plenum Dimensions (cont'd)

LDK 3

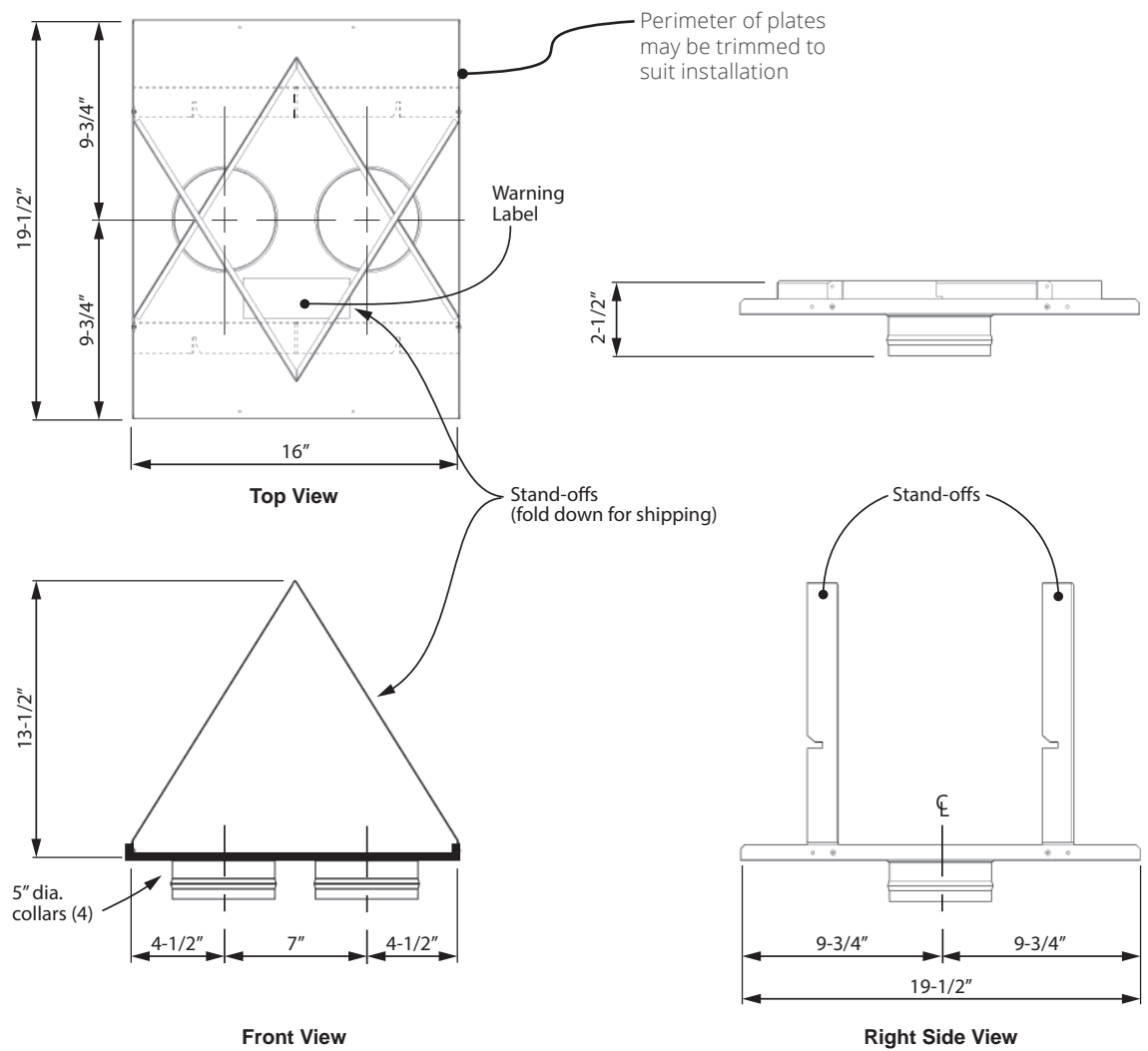


LDK 9



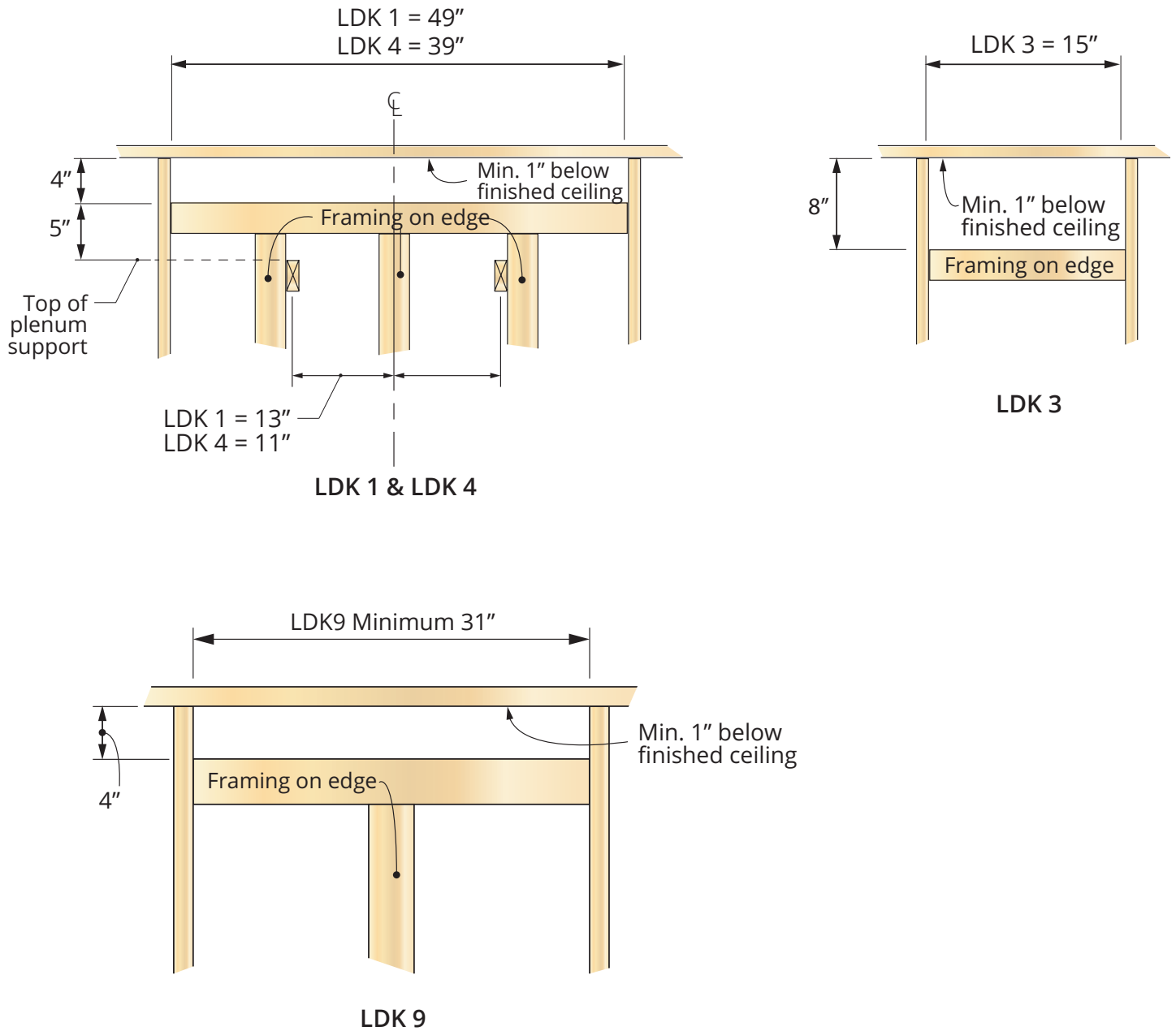
Appendix D - HeatShift System

LDK7 Plates Dimensions



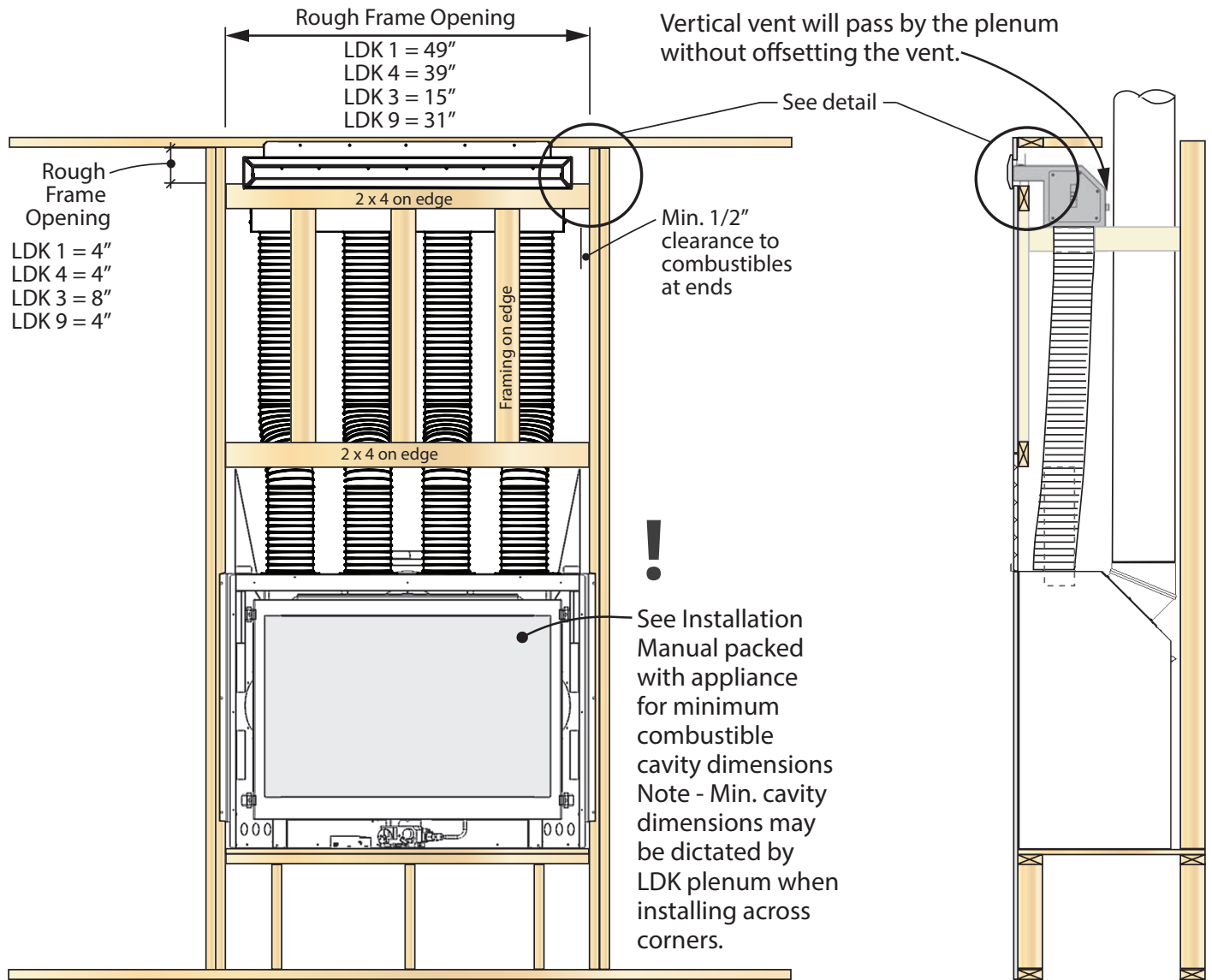
Appendix D - HeatShift System

Rough Frame Openings



Appendix D - HeatShift System

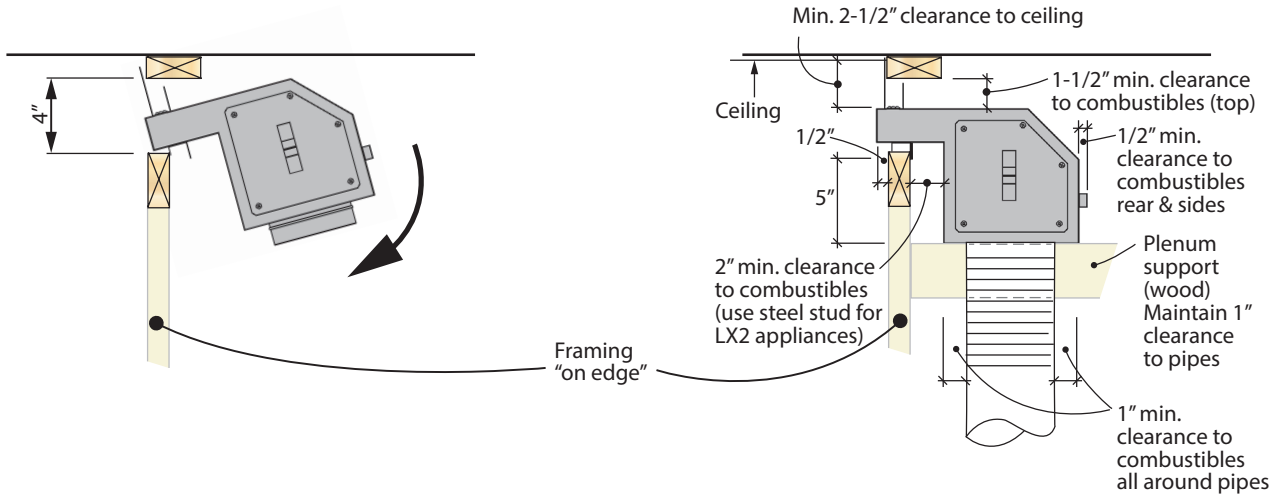
Framing and Clearances—Plenums, front view



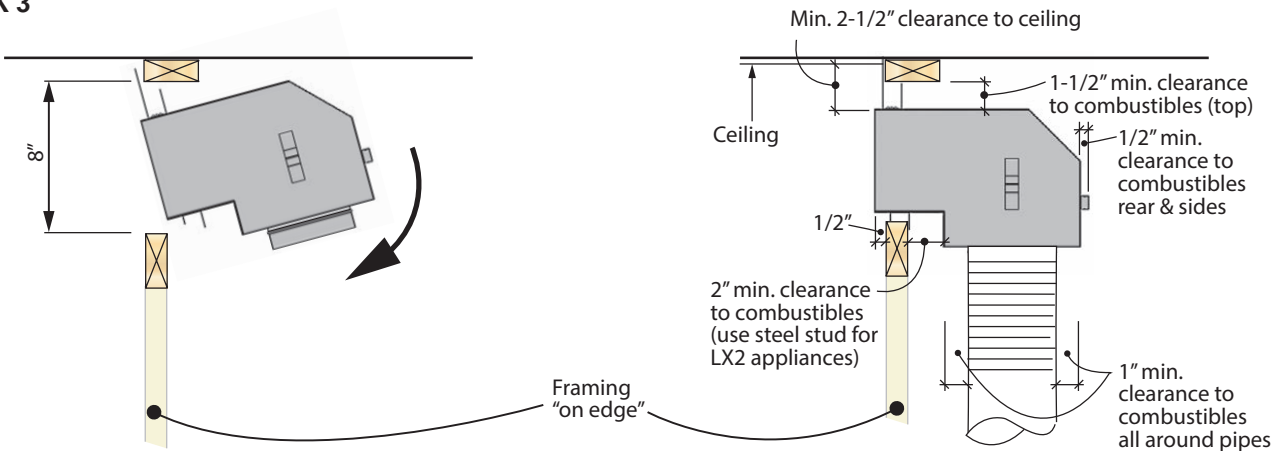
Appendix D - HeatShift System

Framing and Clearances—Plenums, side view

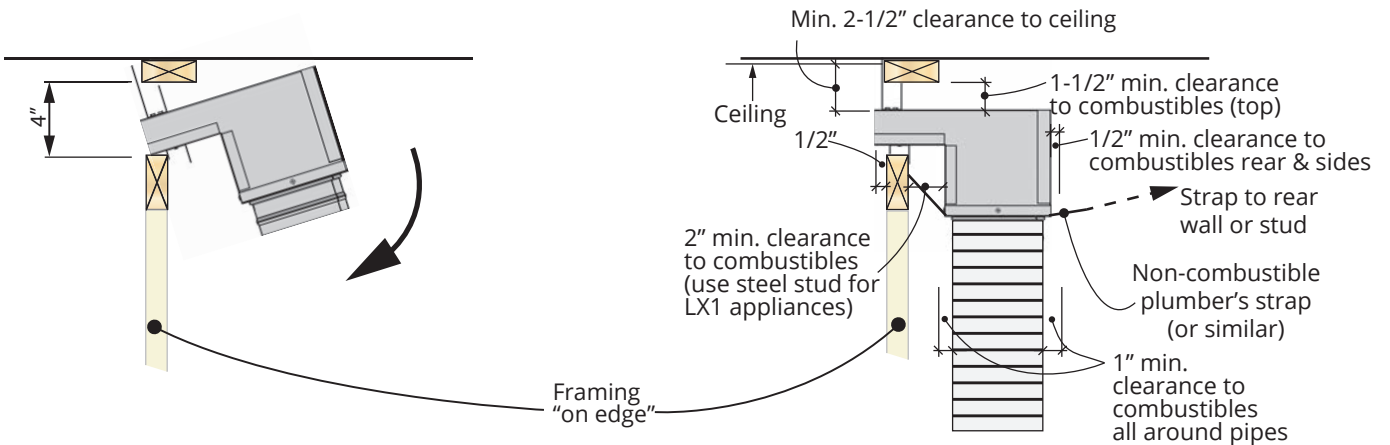
LDK 1 & 4



LDK 3

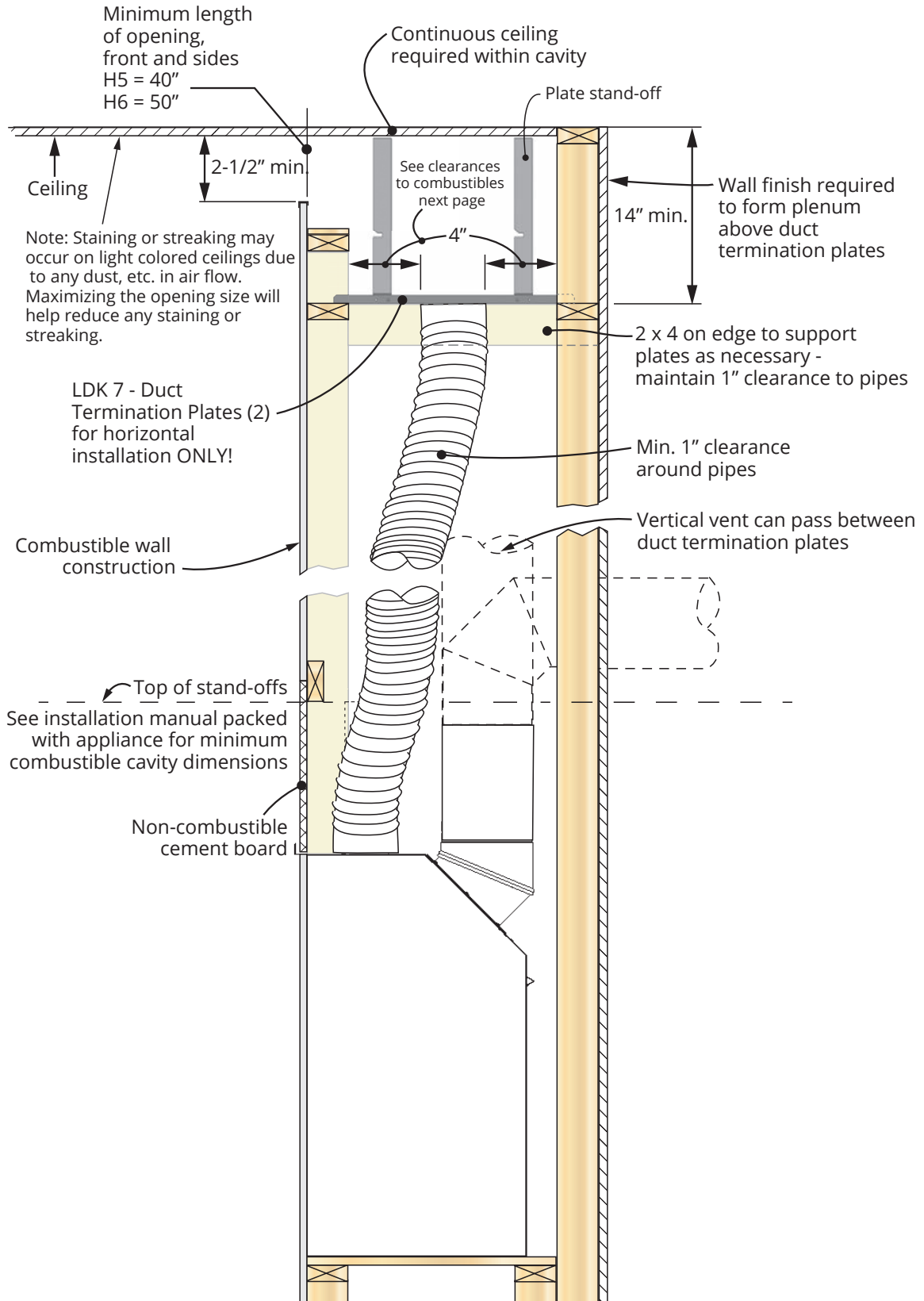


LDK9



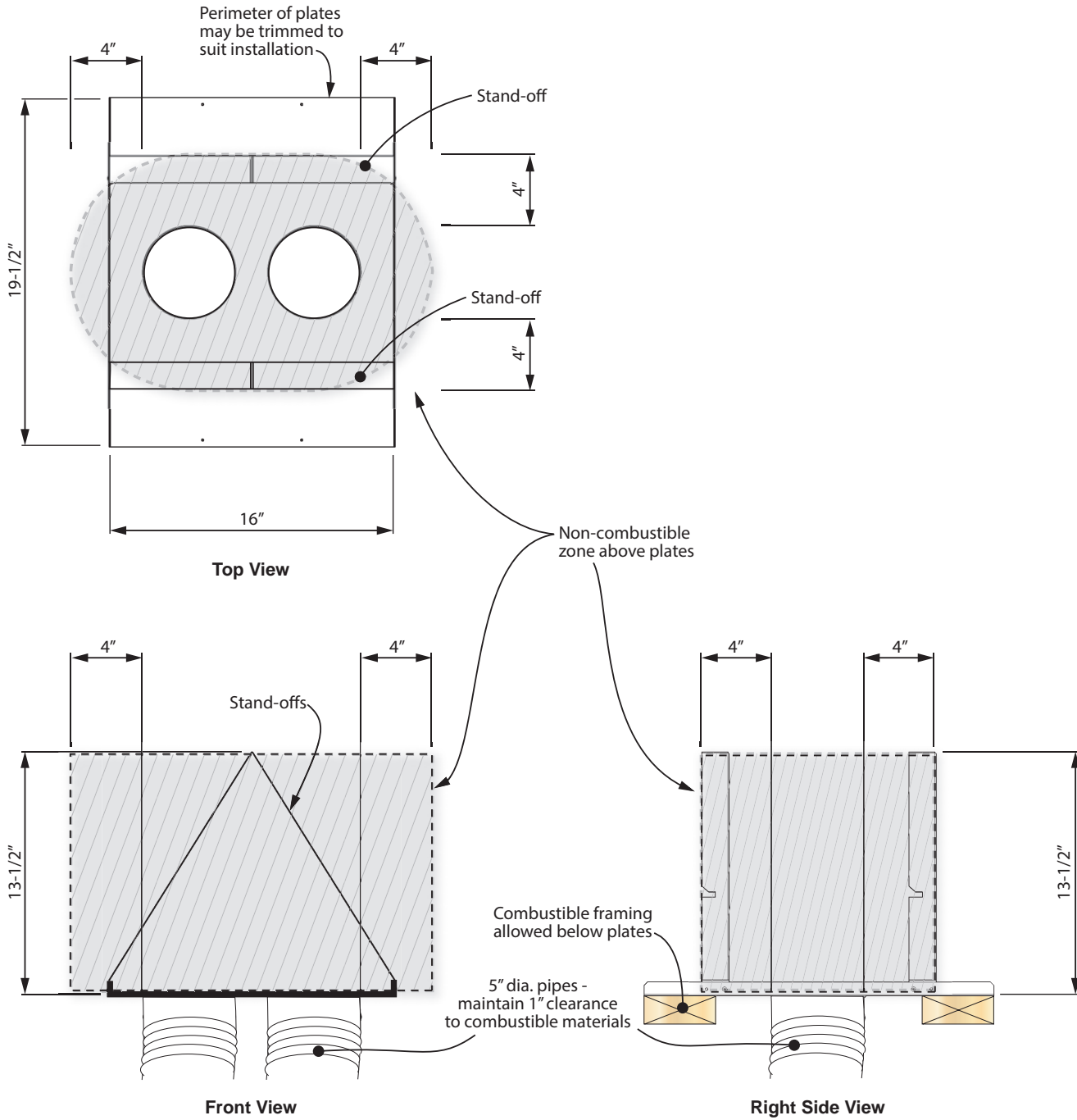
Appendix D - HeatShift System

Wall Valance Discharge Opening using LDK7—Duct Termination Plates



Appendix D - HeatShift System

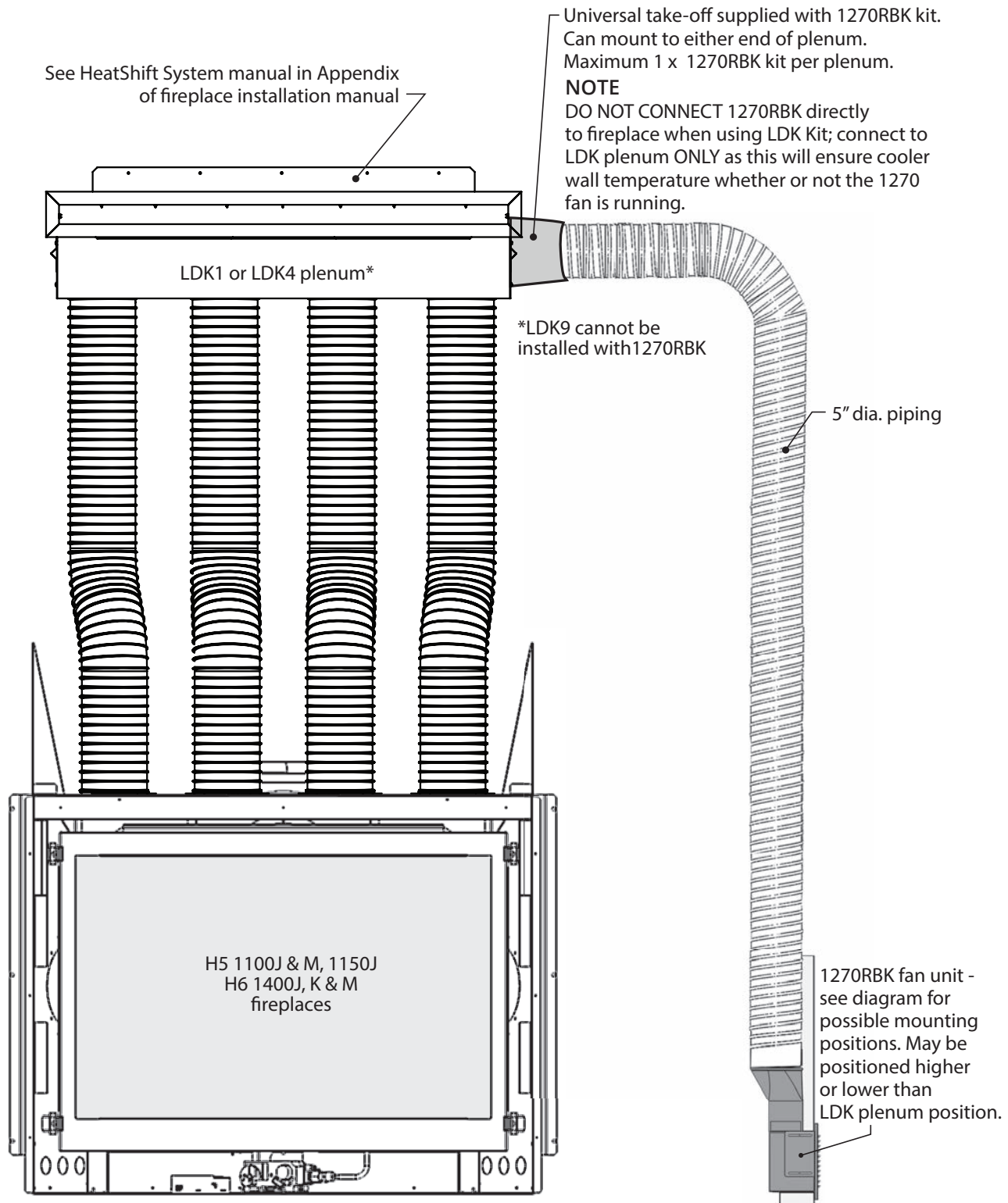
LDK7 Clearances to Combustibles



Appendix D - HeatShift System

HeatShift Kit LDK 1, LDK 4 with optional 1270RBK Remote Blower Kit

(not approved with outdoor installations)



Appendix D - HeatShift System

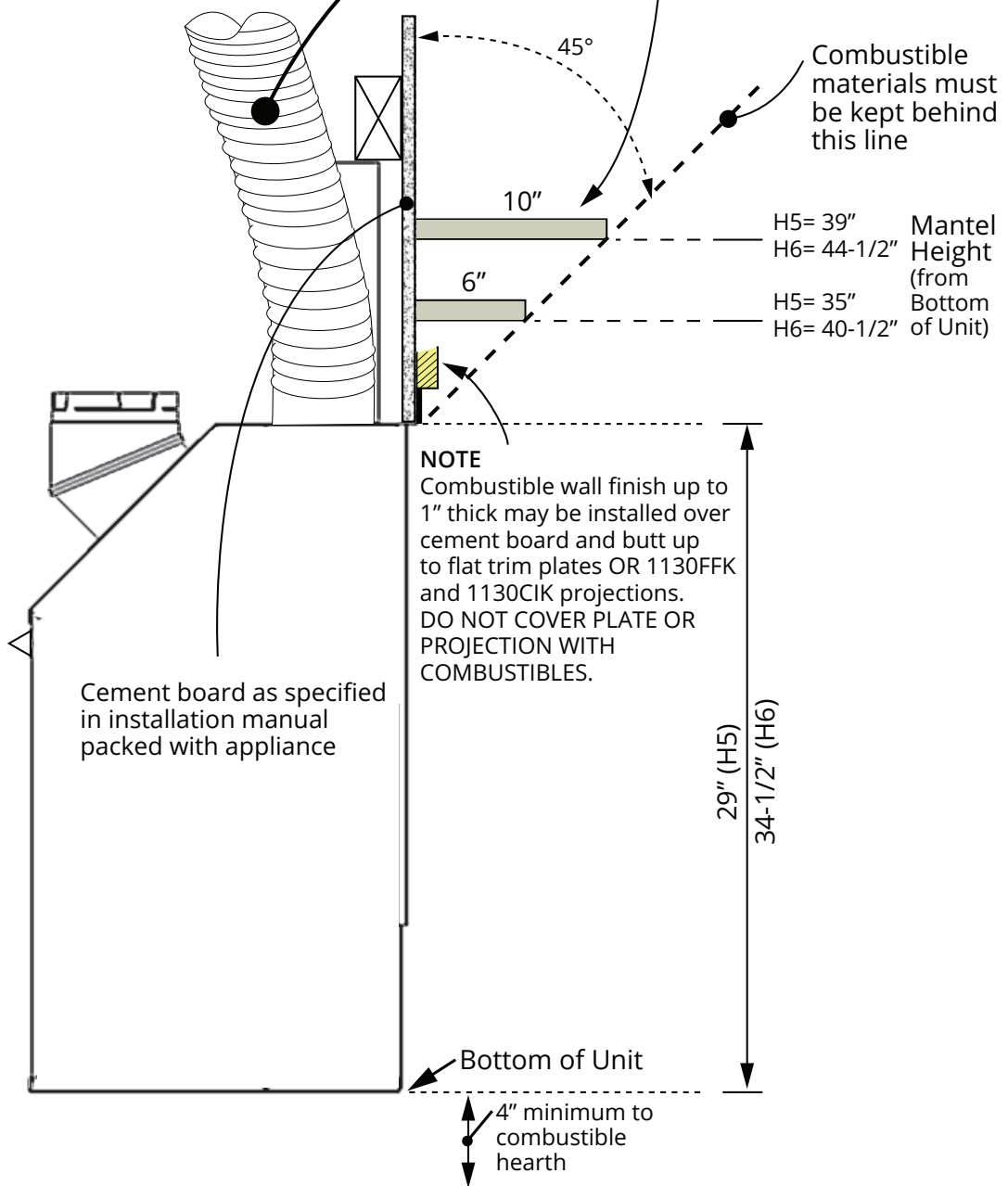
COMBUSTIBLE Mantel Clearances H5 and H6 appliances (when using HeatShift System ONLY)

Sidewall clearances remain as stated in this installation manual.

⚠ WARNING

RISK OF OVERHEATING AND FIRE! Ensure HeatShift installation is complete AND internal convection baffle is removed (see HeatShift installation) when using these combustible mantel clearances.

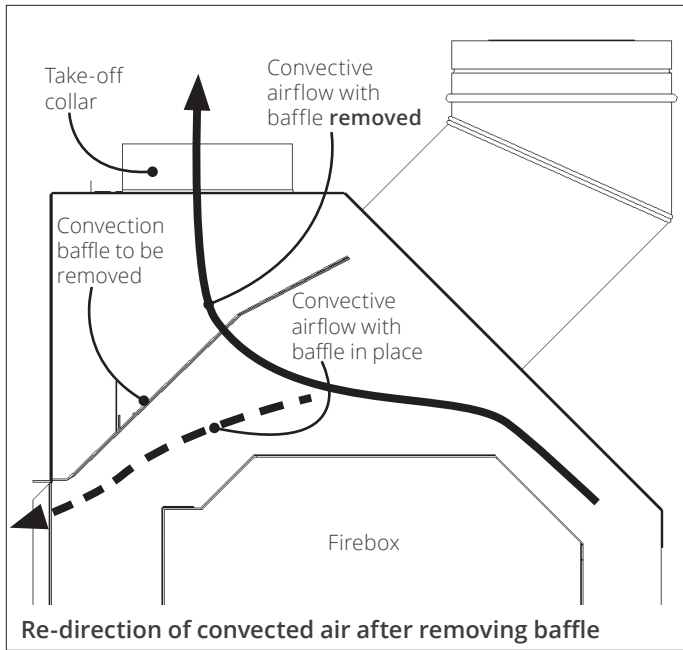
NOTE
These Mantel Clearances apply ONLY when HeatShift system is installed



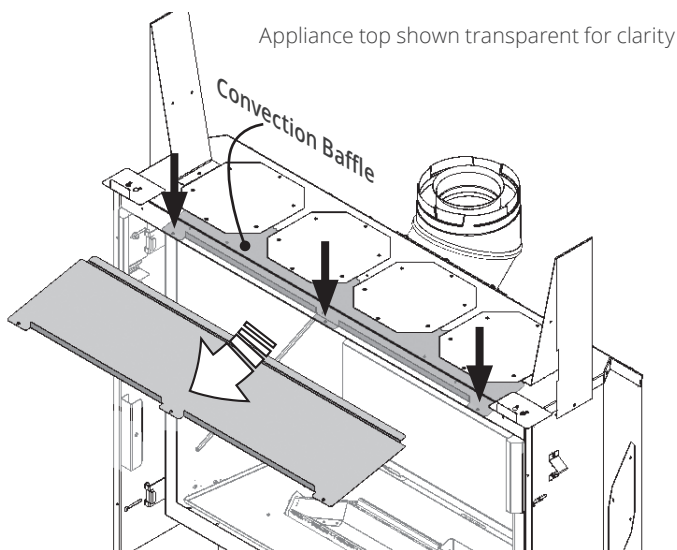
Appendix D - HeatShift System

Remove Convection Baffle

To be effective the HeatShift Kits require that a convection baffle located above the firebox inside the appliance case be removed to allow the hot airflow to convect upwards into ducts installed on the fireplace.



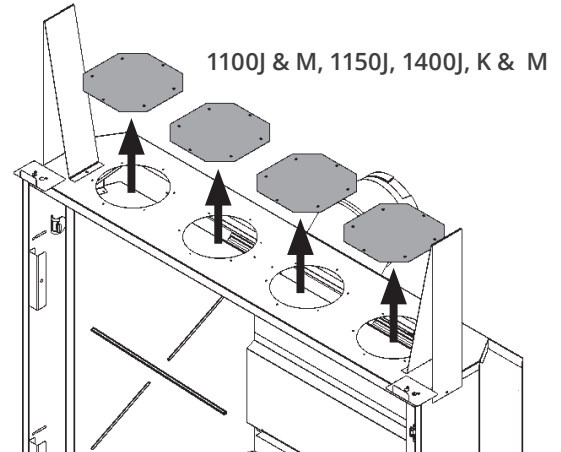
! Remove the convection baffle from the appliance. It is held in place by screws located right behind the upper edge of the fireplace opening (3 screws/baffle for 1100's, 4 for 1400's baffle). Recycle this panel as it is no longer needed.



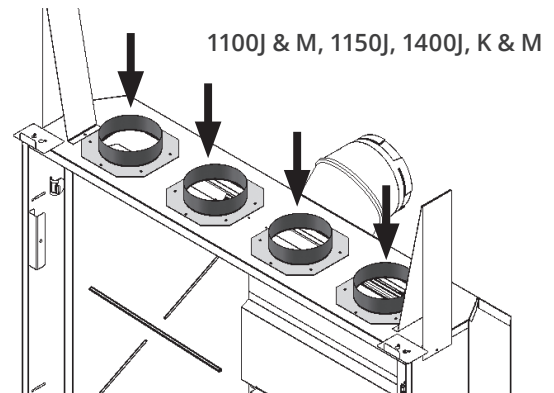
Remove convection baffle—1100M

Install HeatShift collars

1. Remove the four cover plates on top of the appliance case (6 screws each).



2. Install the collars on the holes on top of the appliance's case (6 screws each).



! WARNING

DO NOT INSTALL 1270RBK Remote Blower Kit to any of these 4 takeoffs.

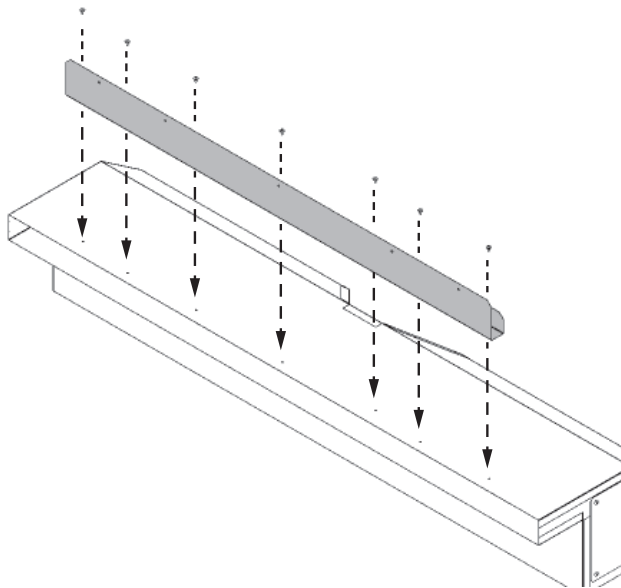
! WARNING

All FOUR (4) takeoffs MUST BE CONNECTED TO PLENUM(S).

Appendix D - HeatShift System

Install Plenum Kits (LDK1, LDK3, LDK4 & LDK9) —see next page for LDK7 Duct Termination Plates

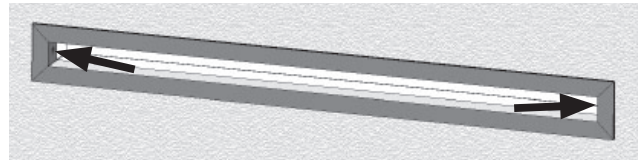
1. Frame a rough opening at the desired location—see earlier sections of this manual for allowable plenum positions and rough frame opening sizes.
2. Install top mounting bracket(s) to the plenum using screws provided (use the short sheet metal screws provided otherwise the screw tails (ends) will interfere with the finishing frame when installed).



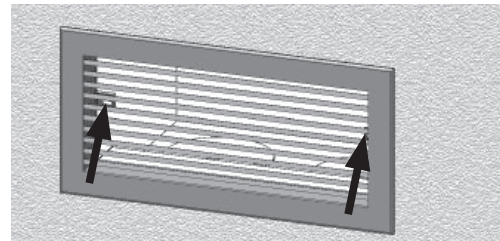
3. Install the plenum(s) into the rough frame opening maintaining minimum clearances to combustibles as listed—see page 10. Fix the plenum to the framing using nails or screws through the top mounting bracket. **Note that the mounting brackets are not intended to carry the weight of the plenum and pipes. Provide support to the underside of the plenum and ensure the plenum is level and its outlet is not distorted (see detail on page 11).** Use metal strapping (all-round, not supplied) as required to further secure the plenum to framing.
4. Attach one section of UL-181, Class 1 approved air duct to each of the collars and secure it with gear clamps provided. **DO NOT SPLICE DUCTS!**
5. Attach the top of the pipe sections to the plenum securing them with the gear clamps provided. An upward slope must be maintained in horizontal sections of pipes for proper convection. Use straps as necessary to maintain the pipes positions. Support horizontal sections every 24 inches.
6. Paint the inside surfaces of the plenum using high-temperature flat black spray paint for installations where the inside of the plenums may be visible.

Note: The flanges of the white finishing frame (when used) will insert approximately 1-1/4" into the plenum covering the shiny sheet metal.

7. Install the finishing frame or louver to the plenum after the wall finish is completed:
LDK1, LDK4, LDK9: Use the LDK2, LDK5 or LDK10 depending of the length of the plenum.



LDK3: Use the grilles provided with the kit.



Note: The frame/louvers are finished white but may be painted another color if desired; use high temperature paint (250°F). You may also finish up to the perimeter of the plenum opening with your material of choice and not use the frame or louver. Do not finish over any of the opening in the plenum outlet.

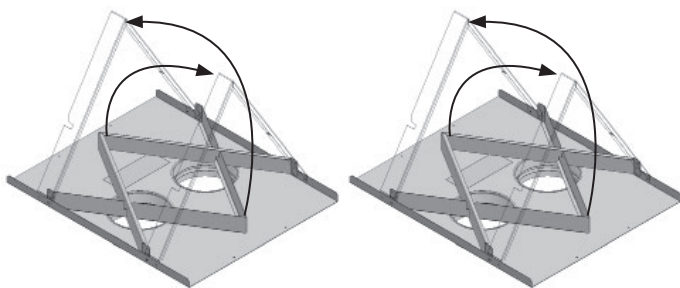
8. Continue with the fireplace installation.

Appendix D - HeatShift System

Install Duct Termination Plates (LKD7) —see previous page for LDK1, LDK3, LDK4 & LDK9 Plenum kits

1. Frame a rough opening and platform at the desired location—see earlier sections of this manual for allowable duct termination plates positions and rough frame opening sizes.
2. On each duct termination plate, rotate both stand-offs to the vertical position and secure in place using screws provided.

2 stand-offs per plate



3. Install the termination plates into the framing ensuring collars/pipes on underside of plates maintain 1 inch clearance to combustibles and clearance to combustible above the plates are maintained as listed on page 13.
The termination plates perimeter may be trimmed as necessary to accommodate framing. Secure the termination plate to framing using screws or nails to avoid movement.
4. Attach one section of UL-181, Class 1 approved air duct to each of the collars and secure it with gear clamps provided. **DO NOT SPLICE DUCTS!**
5. Attach the top of the pipe sections to the duct termination plates securing them with the gear clamps provided. An upward slope must be maintained in horizontal sections of pipes for proper convection. Use straps as necessary to maintain the pipes positions. Support horizontal sections every 24 inches.
6. Continue with the fireplace installation.

Repair Parts List

	Description	Part no.
LDK1	48" Quad Hot Air Plenum Kit	
	48" x 2" quad plenum	4005476
	5" take-off collars (4)	4005478
	Top mounting bracket/standoffs	4007211
	#8 slotted drive screws 1/4" (7)	798601
LDK2	48" Outlet Frame Kit for LDK1	
	Aux Frame-SPL 48" x 2" white	4005612
LDK3	14" Double Hot Air Plenums Kit	
	14" x 6" double plenums (2)	4005464
	5" take-off collars (4)	4005478
	DABL-00-C-SPL 14" x 6" Grilles white (2)	4005614
	Top mounting bracket/standoffs (2)	4005566
	#8 slotted drive screws 1/4" (6)	798601
LDK4	38" Quad Hot Air Plenum Kit	
	38" x 2" quad plenum	4005477
	5" take-off collars (4)	4005478
	Top mounting bracket/standoffs	4007213
	#8 slotted drive screws 1/4" (7)	798601
LDK5	38" Outlet Frame Kit for LDK4	
	Aux Frame-SPL 38" x 2" white	4005613
LDK6	5" Aluminum 2-ply Flex Kit	
	5" dia 10' (uncompressed) aluminum chimney liners (2)	4005635
	4.5" - 6.5" ss gear clamps (8)	4005642
LDK7	Duct Termination Plates	
	Plate and collar assembly (2)	4006747
	5" take-off collars (4)	4005478
	Screws 8 x 3/8 tap PN HD PH (12)	100A757
LDK9	30" Quad Hot Air Plenum Kit	
	30" x 2" quad plenum	4007903
	5" take-off collars (4)	4005478
	Top mounting bracket/standoff	4007601
	#8 slotted drive screws 1/4" (5)	798601
LDK10	30" Outlet Frame Kit for LDK9	
	Aux Frame-SPL 30" x 2" white	4007951

Each LDK kit is sold separately.

Appendix E - Spare Parts

	Description	Part Number
1	Heat shield, stand-offs	4008934
2	Heat shield, vent	4004460
3	45 degrees flanged elbow	0945JM
4	Elbow gasket	4002999
5	Top stand-offs (2)	4004469
6	Restrictor plates (2)	4001222
7	Cover plates (4)	4005409
8	Engine positioning brackets (2)	4004546
9	Take-off cover (2)	4003046
10	Side stand-offs (2)	4000976
11	LH Convection gap bracket	4006948
12	RH Convection gap bracket	4006953
13	Brackets, for trim (4)	4008935
14	Frame fixing brackets (2)	4003703
15	Window latches assembly (4)	4008901
15a	Window latches pull handle	4009219
15b	Air deflector	4010581
16	Liner panel anchors (2)	4001283
17	Removable convection baffle	4005690
18	H5 Steel burner assembly	4007401AH
19	Burner cover plate	4007586AH
20	Window assembly	4008932
21	Hot glass warning plate	4003093
22	1/2" Micore 300 insulation board	4001489
23	Module plate assembly (natural gas)	4007007
	Module plate assembly (propane gas)	4007008
24	Pilot shield	4008836AH
25	Pilot gaskets (2)	4000715
26	PSE Pilot assembly 36" (natural gas)	4008484
	PSE Pilot assembly 36" (propane gas)	4008485
27	Thermocouple	4008490
28	Pilot injector #BL22N (natural gas)	4008493
	Pilot injector #BL14LP (propane gas)	4008494
29	Pilot stand	4007751
30	1100M Air shutter stopper	4008794
31	1/8" NPT brass socket head pipe plug	4008003
32	Orifice/aeration block	4007702
33	Gas orifice #36 (natural gas)	4007000-36
	Gas orifice #52 (propane gas)	4007000-52
34	Air shutter	4008082
35	Aeration lever	4005810
36	#10 x 1/2" flat washers (2)	4006692
37	3/16" x 9/16" spring washers (2)	4006691
38	#10-24 zinc finish steel reverse nuts (2)	4007890

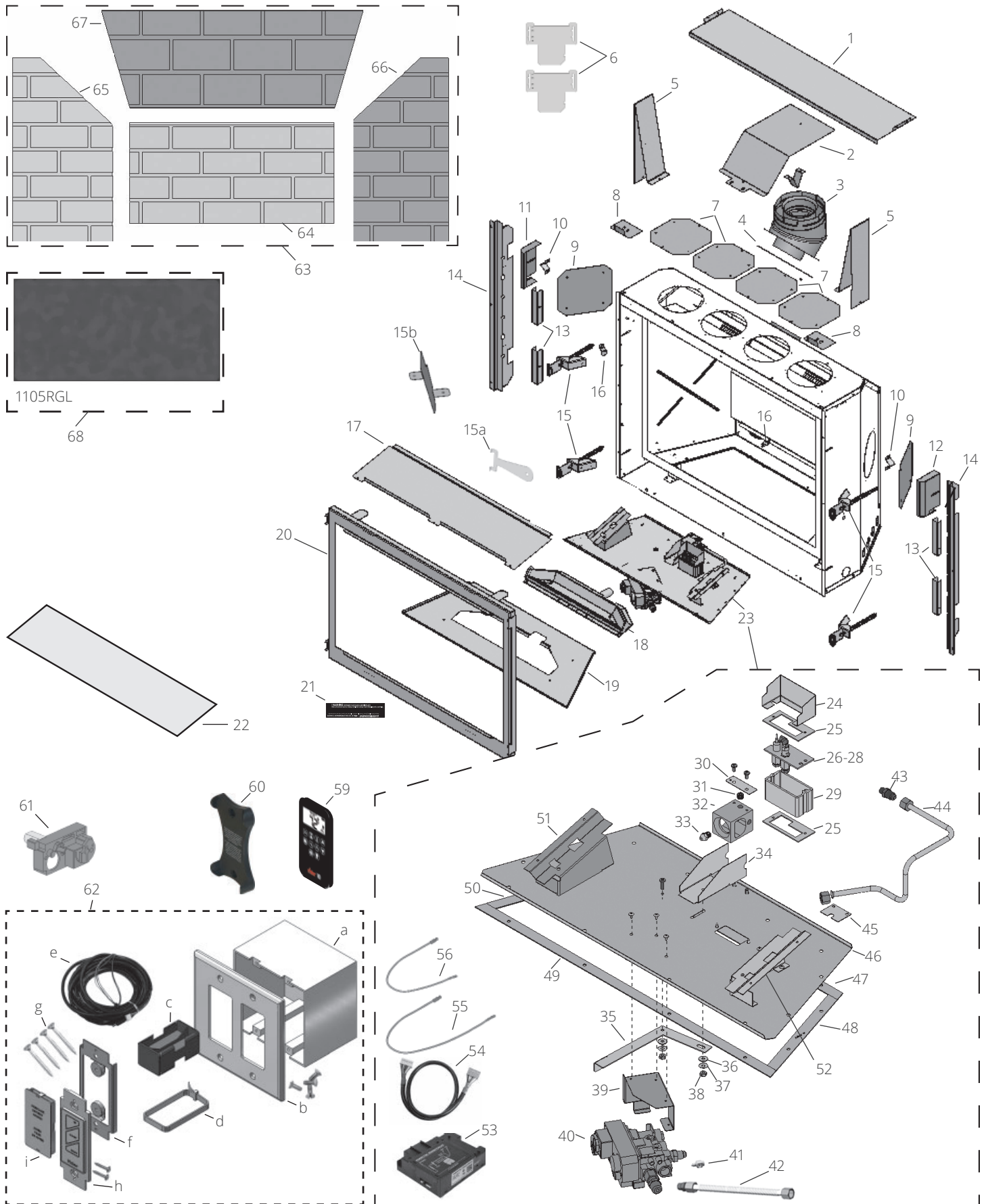
	Description	Part Number
39	Valve mount	4003956
40	GV60 valve assembly (natural gas)	4004498X
	GV60 valve assembly (propane gas)	4004499X
41	Thermocurrent interrupter	4001037
42	Pipe s/s flex ACS-375MM-12	4000345
43	Block/pipe connector	4006689
44	Gas pipe, including 2 nuts flare 220K558	4006993
45	Single pipe sealing plate	4006982
46	Module plate	4007004
47	Gasket module plate, rear	4003925
48	Gaskets module plate, RH	4003926
49	Gasket module plate, front	4003924
50	Gaskets module plate, LH	4003927
51	Burner mounting bracket, LS	4007538
52	Burner mounting bracket, RS	4007537
53	Receiver Valor 10 two-way	4005597
54	Wire harness GV60	4001187
55	Yellow cable to interruptor	4002096
56	Red cable to interruptor	4001035
59	Valor 10-button handset, black	4007548
60	Valor 10 handset wall holder	4004459
61	GV60 Valve Repair Kit	4004544
62	Remote battery & Wall switch kit	RBWSK
a	Junction box	4005527
b	Cover plate & 4 screws	4005526
c	Battery holder	4005525
d	Cable tie	4005524
e	Harness assembly	4005523
f	Plate with magnets	4005391
g	Long screws (4)	4001444
h	Wall switch with 2 screws	4005522
i	Battery cover assembly	4005390
63	Liner panels - complete sets	
	Valor Red Brick Liners	1110VRL
	Ledgestone Liner Set	1115LSL
	Fluted Black Liner Set	1125FBL
	Plain Black Liner Set	1160PBL
	Glass Liner Set	1170RGL
	Rear spacers (2)	4004712AH
	Side anchors (2)	4004710AH
	Side spacers (8)	4004711AH
	Herringbone Liners	1175HBL
64	Rear panel	
	Valor Red Brick	4003264

Appendix E - Spare Parts

	Description	Part Number
	Ledgestone	4003246
	Fluted Black	4003258
	Black	4004748
	Glass	4004280
	Herringbone	4006184
65	LH side panel	
	Valor Red Brick	4003262
	Ledgestone	4003244
	Fluted Black	4003256
	Black	4004746
	Glass	4004278
	Herringbone	4006186
66	RH side panel	
	Valor Red Brick	4003263
	Ledgestone	4003245
	Fluted Black	4003257
	Black	4004747
	Glass	4004279
	Herringbone	4006185
67	Top panel	
	Valor Red Brick	4003213
	Ledgestone	4003211
	Black	4003212
	Black	4003212
	Black	4003212
	Herringbone	4006187
68	Reflective Glass Liner - 1100	1105RGL
69	Driftwood Logs	1100DWK
70	Driftwood Logset & pebbles	4008794
71	Log #H35	4008795
72	Log #H36	4004371
73	Log #H37	4008797
74	Log #H38	4004372
75	Brown beach pebble (2)	4003082
76	Small grey beach pebble (2)	4003086
77	White beach pebble	4003084
78	Black beach pebble	4003085
79	Beige beach pebble	4003087
80	Driftwood plaque LH rear	4008799
81	Driftwood plaque RH rear	4008800
82	Driftwood plaque LH front	4008801
83	Driftwood plaque RH front	4008802
84	Traditional Logs	1100LSK
85	Traditional Logs only	4009003

	Description	Part Number
86	Log #H41	4008820
87	Log #H42	4008821
88	Log #H43	4008822
89	Log #H44	4008823
90	Log #H45	4008824
91	Log #H46	4008825
92	Log #H47	4008826
93	Plaque and Ember bed	4008976
94	Ember bed #H53	4008814
95	Birch + Traditional plaque LH rear	4008827
96	Birch + Traditional plaque RH rear	4008828
97	Birch + Traditional plaque LH front	4008829
98	Birch + Traditional plaque RH front	4008830
99	Birch Logs	1100BLK
100	Birch Logs only	4009005
101	Log #H50	4008811
102	Log #H51	4008812
103	Log #H52	4008813
104	Log #H54	4008815
105	Log #H55	4008816
106	Log #H56	4008817
107	Log #H57	4008818
108	Plaque and Ember bed	4008976
109	Ember bed #H53	4008814
110	Birch + Traditional plaque LH rear	4008827
111	Birch + Traditional plaque RH rear	4008828
112	Birch + Traditional plaque LH front	4008829
113	Birch + Traditional plaque RH front	4008830

Appendix E - Spare Parts



Appendix E - Spare Parts

