

# Installation Manual



# H3

Direct Vent Zero Clearance  
Gas Fireplace  
natural gas 1000KN  
propane gas 1000KP

Installer: Place model/serial number here.

Installer: Leave this manual with the appliance.  
Consumer: Retain this manual for future reference.

**⚠ WARNING:**  
**FIRE OR EXPLOSION HAZARD**  
Failure to follow safety warnings exactly could result in serious injury, death, or property damage.

Do not store or use gasoline or other flammable vapors and liquids in the vicinity of this or any other appliance.

#### WHAT TO DO IF YOU SMELL GAS

- Do not try to light any appliance.

- Do not touch any electrical switch; do not use any phone in your building.
- Leave the building immediately.
- Immediately call your gas supplier from a neighbor's phone. Follow the gas supplier's instructions.
- If you cannot reach your gas supplier, call the fire department.

Installation and service must be performed by a qualified installer, service agency or the gas supplier.

## **⚠ DANGER**



Hot glass will cause burns.

Do not touch glass until cooled.

Never allow children to touch glass.

A barrier designed to reduce the risk of burns from the hot viewing glass is provided with this appliance and must be installed for the protection of children and other at-risk individuals.

**This appliance may be installed in an after-market permanently located, manufactured (mobile) home where not prohibited by local codes. This appliance is only for use with the type of gas indicated on the rating plate. This appliance is not convertible for use with other gases, unless a certified kit is used.**

**INSTALLER: Leave this manual with the appliance.**

**CONSUMER: Retain this manual for future reference.**

#### **Massachusetts:**

The piping and final gas connection must be performed by a licensed plumber or gas fitter in the State of Massachusetts. Also, see Carbon Monoxide Detector requirements in the fireplace installation manual.

#### **⚠ WARNING**

This product can expose you to chemicals including Benzene, which is known to the State of California to cause cancer and birth defects or other reproductive harm. For more information go to [www.P65Warnings.ca.gov](http://www.P65Warnings.ca.gov).

Note: Natural gas, in its original state, contains Benzene.

This manual contains instructions to install the **ENGINE ONLY**. A trim kit is **REQUIRED** to complete the installation. A barrier screen is provided with the trim kit. **Refer to the manual supplied with the trim for installation.**

**This appliance is a domestic room-heating appliance. It must not be used for any other purposes such as drying clothes, etc.**

**This appliance is suitable for installation in a bedroom or bed sitting room.**

Ce guide est disponible en français sur demande.



We recommend a US Certified National Fireplace Institute (NFI) specialist install our gas hearth products.



The information contained in this manual is believed to be correct at the time of printing. Miles Industries Ltd. reserves the right to change or modify any information or specifications without notice. Miles Industries Ltd. grants no warranty, implied or stated, for the installation or maintenance of your heater, and assumes no responsibility for any consequential damage(s).

© Copyright Miles Industries Ltd., 2021. All rights reserved.  
Designed and manufactured for Miles Industries Ltd.

**Valor Fireplaces**  
190–2255 Dollarton Highway  
North Vancouver, BC, Canada V7H 3B1  
T 604.984.3496 F 604.984.0246  
[valorfireplaces.com](http://valorfireplaces.com)

# Welcome to Valor®

This appliance has been professionally installed by:

Dealer Name: \_\_\_\_\_

Phone: \_\_\_\_\_

<b>Fireplace Safety .....</b>	<b>4</b>
<b>Specifications .....</b>	<b>6</b>
<b>Kits &amp; Accessories.....</b>	<b>7</b>
<b>Dimensions &amp; Location.....</b>	<b>8</b>
<b>Mantel Clearances.....</b>	<b>9</b>
<b>Installation Planning.....</b>	<b>11</b>
<b>New Construction .....</b>	<b>12</b>
Overview .....	12
Framing & Hearth .....	14
Wall Finish .....	17
<b>Retrofit Application.....</b>	<b>19</b>
Overview .....	19
<b>Venting .....</b>	<b>21</b>
Overview .....	21
<b>Co-axial.....</b>	<b>22</b>
Typical Co-axial Venting Components .....	22
Venting Chart .....	23
Restrictors .....	25
Horizontal Vent Termination Location.....	26
Vertical Vent Termination .....	27
<b>Vent Conversion .....</b>	<b>28</b>
Applications.....	28
Co-Linear Into Existing Solid Fuel Chimney .....	29
Co-Linear Into Existing Solid Fuel Fireplace.....	30
Co-Axial Flex Into Existing Solid Fuel Fireplace .....	31
Adapters and Terminations.....	32
<b>Appliance Preparation .....</b>	<b>33</b>
Convert Vent Outlet (if required).....	33
Install Stand-offs.....	34
Remove Convection Baffle .....	35
Install HeatShift Take-Off Collars .....	35
Remove Window .....	36

**Please read this manual BEFORE installing and operating this appliance.**

<b>Installation .....</b>	<b>37</b>
Install Appliance for 1030 Clean Installation Kit (new construction only) .....	37
Install Appliance for 3 or 4-Sided Trims and Fronts (new construction only) .....	41
Install Electrical Wiring (if necessary) .....	42
Connect Gas Supply.....	43
Install Liners.....	45
Install Birch Log Kit 1000BLK.....	46
Install Driftwood Kit 1000DWK.....	49
Install Traditional Log Kit 1000LSK.....	52
Refit & Check Window .....	55
Install Wall Switch Kit (required) .....	56
Synchronize Remote Control.....	57
Check Operation .....	58
Adjust Aeration (if needed).....	58
Install Remote Control Handset Wall Holder.....	59
Install Trim and Barrier Screen .....	59
<b>Wiring Diagram.....</b>	<b>60</b>
<b>Approved Venting Components.....</b>	<b>61</b>
<b>Commonwealth of Massachusetts .....</b>	<b>63</b>
<b>Appendix A - Lighting Instructions Plate.....</b>	<b>65</b>
<b>Appendix B - Remote Control Operation .....</b>	<b>66</b>
<b>Appendix C - Wall Switch Operation.....</b>	<b>70</b>
<b>Appendix D - HeatShift System .....</b>	<b>71</b>
<b>Appendix E - Spare Parts .....</b>	<b>79</b>

# Fireplace Safety

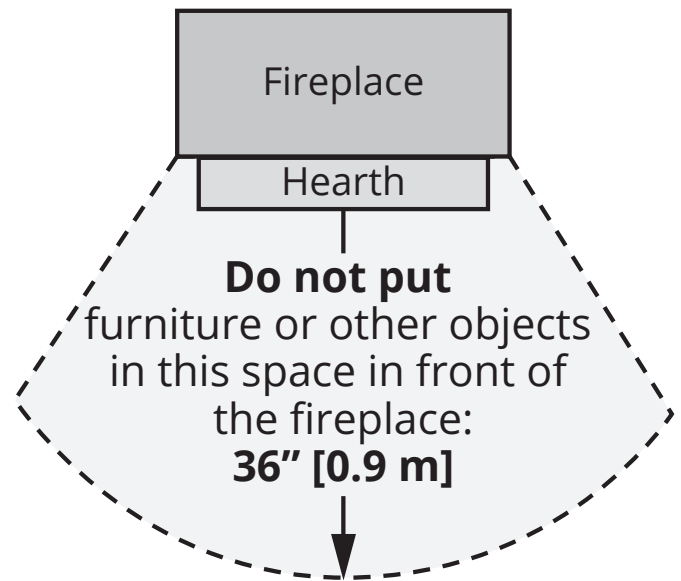
This manual contains very important information about the safe installation and operation of the fireplace. Read and understand all instructions carefully before installing and operating the fireplace. Failure to follow these instructions may result in possible fire hazard and will void the warranty.

Replacement manuals are available by contacting the Valor Customer Service at 1-800-468-2567, or by visiting [valorfireplaces.com](http://valorfireplaces.com).

## **WARNING: Extremely Hot!**

### Heat and flammability

- Some parts of the fireplace are extremely hot, particularly the glass window. Use the barrier screen provided with the trim or a gate to reduce the risk of severe burns.
- The glass windows can exceed 500°F at full capacity.
- Always keep the appliance clear and free from combustible materials, gasoline, and other flammable vapors and liquids.
- Be aware of hot wall surfaces! The wall directly above the fireplace can get very hot when the fireplace heats. Although safe, it may reach temperatures in excess of 200° F depending on choice of trims or optional accessories. Do not touch!
- Be aware of hot hearth/floor surfaces! The hearth or floor directly in front of the fireplace can get very hot when the fireplace heats. Although safe, they may reach temperatures in excess of 200° F depending on elevation of hearth. Do not step on it! Temperature of hearth/floor surface will be reduced when barrier screen is installed.
- Solid wood flooring in front of the fireplace (if allowed) may shrink during the heating season due to heat.
- Some materials or items, although safe, may discolor, shrink, warp, crack, peel, and so on because of the heat produced by the fireplace. Avoid placing candles, paintings, photos and other combustible objects sensitive to heat or furniture within 36 inches (0.9 m) around the fireplace.
- Due to its high temperature, the appliance should be located out of traffic areas and away from furniture and draperies.



- Any safety screen, guard, or barrier removed for servicing an appliance must be replaced prior to operating the appliance
- Children and adults should be alerted to the hazards of high surface temperature and should stay away to avoid burns or clothing ignition.
- Young children should be carefully supervised when they are in the same room as the appliance. Toddlers, young children, and others may be susceptible to accidental contact burns. A physical barrier is recommended if there are at-risk individuals in the house. To restrict access to a fireplace or stove, install an adjustable safety gate to keep toddlers, young children, and other at-risk individuals out of the room and away from hot surfaces.
- A barrier designed to reduce the risk of burns from the hot viewing glass is provided with this appliance and shall be installed for the protection of children and other at-risk individuals.
- Clothing or flammable material should not be placed on or near the appliance.

# Fireplace Safety

## Glass window

### **WARNING**

**Do not operate this appliance with the glass front removed, cracked, or broken. Replacement of the glass front should be performed by a licensed or qualified service person. Do not strike or slam the glass front.**

- The glass front assembly must be in place and sealed before the unit can be placed into safe operation.
- The glass front assembly must only be replaced as a complete unit, as supplied by the fireplace manufacturer. No substitute material may be used.
- Do not use abrasive cleaners on the glass front assembly. Do not attempt to clean the glass front when it is hot.

## Venting

- This unit must be used with a vent system as described in this manual. No other vent system or components may be used.
- Never obstruct the flow of combustion and ventilation air. Keep the front of the appliance clear of all obstacles and materials for servicing and proper operation.
- This gas fireplace and vent assembly must be vented directly to the outside and must never be attached to a chimney serving a separate solid fuel burning appliance. Each gas appliance must use a separate vent system. Common vent systems are prohibited.

## Intended use

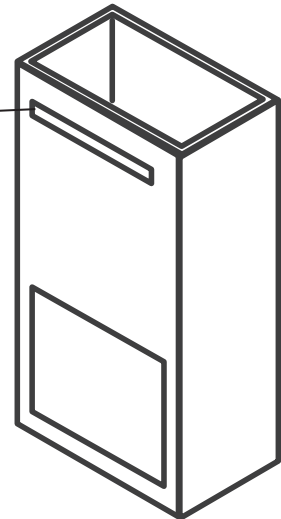
- This appliance is designed and approved as a supplemental heater and provides the potential for most energy conservation when used while attended. The use of an alternate primary heat source is advisable.
- This unit is not for use with solid fuel.
- Do not use this heater as a temporary source of heat during construction.

## Installation and Servicing

- Installation and repair should be done by a qualified service person. The appliance should be inspected before use and at least annually by a professional service person. More frequent cleaning might be required due to excessive lint from carpeting, bedding material, et cetera. It is imperative that control compartments, burners, and circulating air passageways of the appliance be kept clean.

### **WARNING**

Front outlet



**Optional HeatShift Duct Kit:  
Do not cover or place items in front of outlet!**

### **WARNING**

**Optional electrical accessories ARE NOT ALLOWED when adapting appliance for outdoor use.**

# Specifications

## Approval & Codes

This appliance is certified to ANSI Z21.88/CSA 2.33 American National Standard / CSA Standard for Vented Gas Fireplace Heaters for use in Canada and USA, and to CGA 2.17-91 High Altitude Standard in Canada. This appliance is for direct vent installations.

This appliance complies with CSA P.4.1-15 Testing method for measuring annual fireplace efficiencies.

The installation must conform to local codes or, in the absence of local codes, with the National Fuel Gas Code, ANSI Z223.1/NFPA 54 or the Natural Gas and Propane Installation Code CAN/CGA-B149.1. Only qualified licensed or trained personnel should install this appliance.

This appliance must be electrically grounded in accordance with local codes, or, in the absence of local codes, with the National Electrical Code, ANSI/NFPA 70 or the Canadian Electrical Code, CSA C22.1.

## Ratings

Model	1000KN	1000KP
Gas	Natural	Propane
Altitude (Ft.)*	0-4,500 feet*	
Input Maximum (Btu/h)	25,000	24,000
Input Minimum (Btu/h)	12,000	11,000
Manifold Pressure (in w.c.)	3.2"	9.5"
Minimum Supply Pressure (in w.c.)	5"	11"
Maximum Supply Pressure (in w.c.)	10"	14"
Main Burner Injector Marking	750	260
Pilot Injector Marking	51	30
Min. Rate By-Pass Screw	175	105

## \*High Altitude Installations

Input ratings are shown in BTU per hour and are certified without deration for elevations up to 4,500 feet (1,370 m) above sea level.

For elevations above 4,500 feet (1,370 m) in USA, installations must be in accordance with the current ANSI Z223.1 and/or local codes having jurisdiction. Heating value of gas in some areas is reduced to compensate for elevation—consult your local gas utility to confirm.

For installations at elevations above 4,500 feet (1,370 m) in Canada, please consult provincial and/or local authorities having jurisdiction.

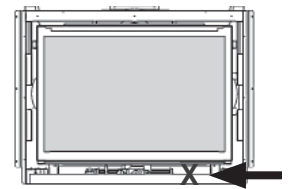
## Supply Gas

Heater engines 1000KN is used with natural gas.

Heater engines 1000KP is used with propane gas.

The supply pressure must be between the limits shown in the Ratings section.

The supply connection is 3/8" NPT male and located on the right hand side of the firebox. A shut-off valve (not supplied) is required on the supply line to isolate the unit during service. See *Connect Gas Supply* section for details.



## Conversion Kits

The 1000K is supplied as natural gas or propane gas and is field convertible between fuels. See instructions packaged with the conversion kits for further information.

## Electrical

The 1000K is designed to run on battery power and does not require an electrical power source to operate as a heater. However, it requires electrical power to operate optional 1095CFK Circulating Fan Kit or GV60PAK Power Adapter.

## HeatShift™ System

The 1000K are designed to allow the installation of the optional HeatShift System, a convection system that redistributes the warm air flow away from the fireplace opening to a more desirable location using natural convection, without use of a fan.

The warm air flow may be relocated to a position higher up the wall, or even to another room. The result is much cooler wall temperatures above the fireplace opening for locating televisions, artwork, etc.

**Please note that the framing and mantel clearances are affected by the installation of the HeatShift System.** Refer to "Appendix D - HeatShift System" on page 71 for more information.

## Outdoor Conversion Kit

The 1000K models are supplied standard for indoor applications and may be adapted for installation in specific "outdoor" applications protected from weather as defined in the GV60CKO outdoor conversion kit manual.

# Kits & Accessories

## Required Kits

Fuel Beds (choose one)			
1000DWK	Driftwood Kit		
1000BLK	Birch Logs Kit		
1000LSK	Traditional Logs Kit		
Liners (choose one)			
1010VRL	Valor Red Bricks		
1015LSL	Ledgestone		
1025FBL	Fluted Black		
1060PBL	Black		
1065CBL	Charcoal Bricks		
1070RGL	Reflective Glass		
1075HBL	Herringbone		
Trims & Fronts—New construction			Barrier screen
1030CIK	Clean Installation Kit		4007095AZ
1035BPB	3-Sided Backing Plate, black		
with	1045CFV	Clearview Front Vintage Iron	4007128AZ
1040BPB	4-Sided Backing Plate, black		
with	1041FSV	4-Sided Surround Vintage Iron	4007347AZ
with	1041FSCB	4-Sided Surround Champagne	
Trims & Fronts—Retrofit Installations			Pare-étincelles
1035BPB-RC	3-Sided Backing Plate, black—Reduced Clearance		
with	1045CFV	Clearview Front Vintage Iron	4007128AZ
1036BPB-RC	3-Sided Backing Plate, black, tall—Reduced Clearance		
with	1045CFV	Clearview Front Vintage Iron	4007128AZ
1040BPB-RC	4-Sided Backing Plate, black—Reduced Clearance		
with	1041FSV	4-Sided Surround Vintage Iron	4007347AZ
with	1041FSCB	4-Sided Surround Champagne	

### NOTE

**RC Backing Plates not compatible with HeatShift.**

## Optional Accessories

Gas Conversion Kits	
1000PGK	Conversion to propane gas
1000NGK	Conversion to natural gas
Other Accessories	
GV60CKO	Outdoor Fireplace Conversion Kit
1095CFK	Circulating Fan Kit
RBWSK	Remote Battery & Wall Switch Kit
GV60PAK	CA Adapter
GV60WIFI	WiFi connection module and cable (requires RCK400, 1095CFK or GV60VM)
RCK400	Remote Control Valor10 (for WiFi)
GV60VM	V-Module power supply (required for WiFi, except with 1095CFK)
HeatShift Accessories—not compatible with RC Plates	
LDK8	30" Quad Plenum, 4" dia. plates
LDK10	30" Finishing Frame for LDK8
LDK11	10' length flex liners (2)
Hearth Gate	Hearth gates such as Cardinal's VersaGate are available at retail stores carrying safety products for children.



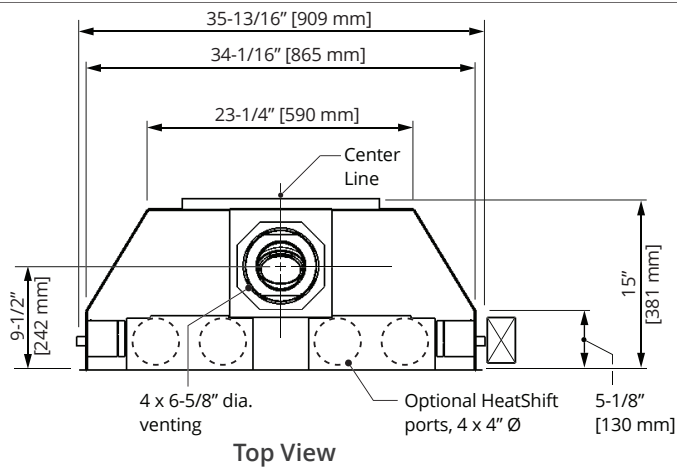
### WARNING

**Installation of electrical accessories is NOT ALLOWED when fireplace is converted for outdoor use.**

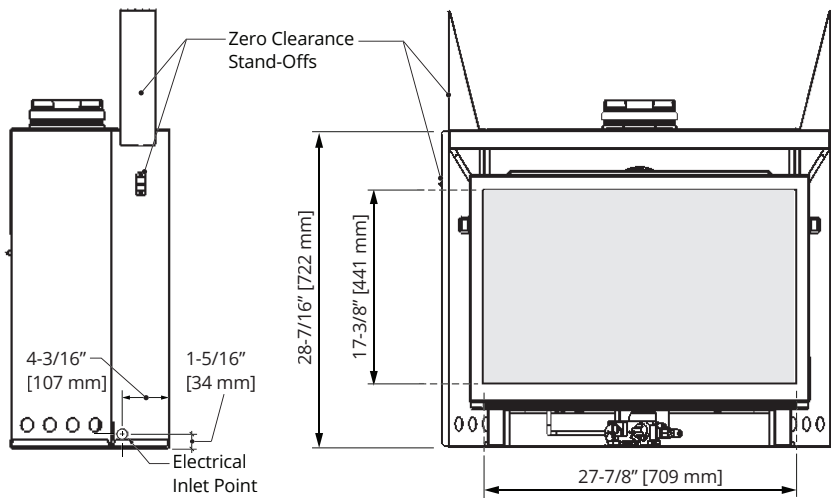
Information accurate at the time of printing and subject to change without notice.

# Dimensions & Location

## Dimensions

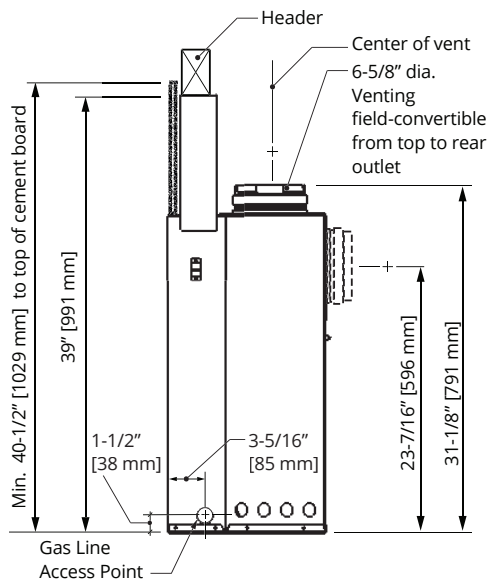


Top View



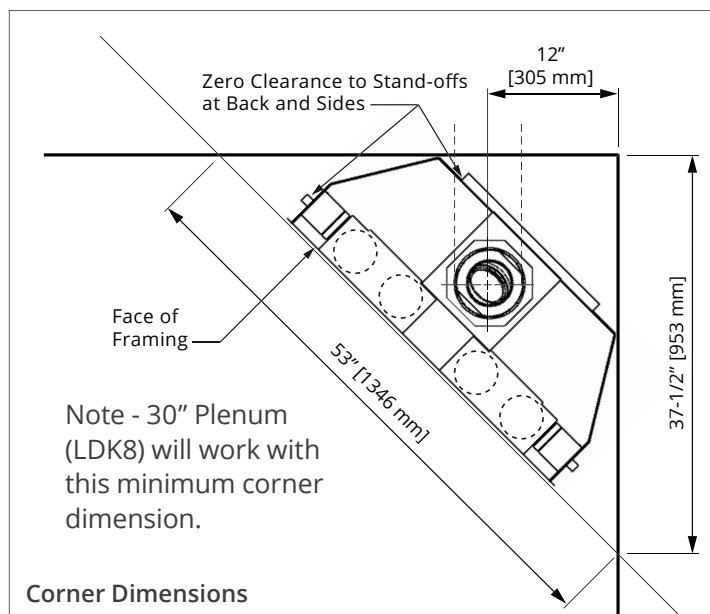
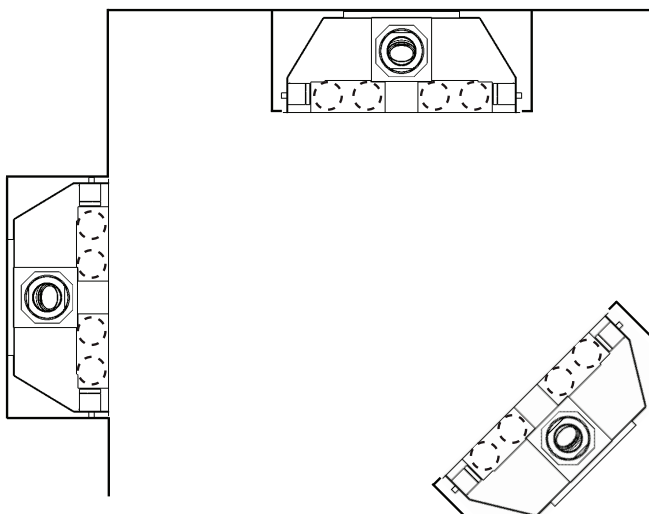
Left Side View

Front View



Right Side View

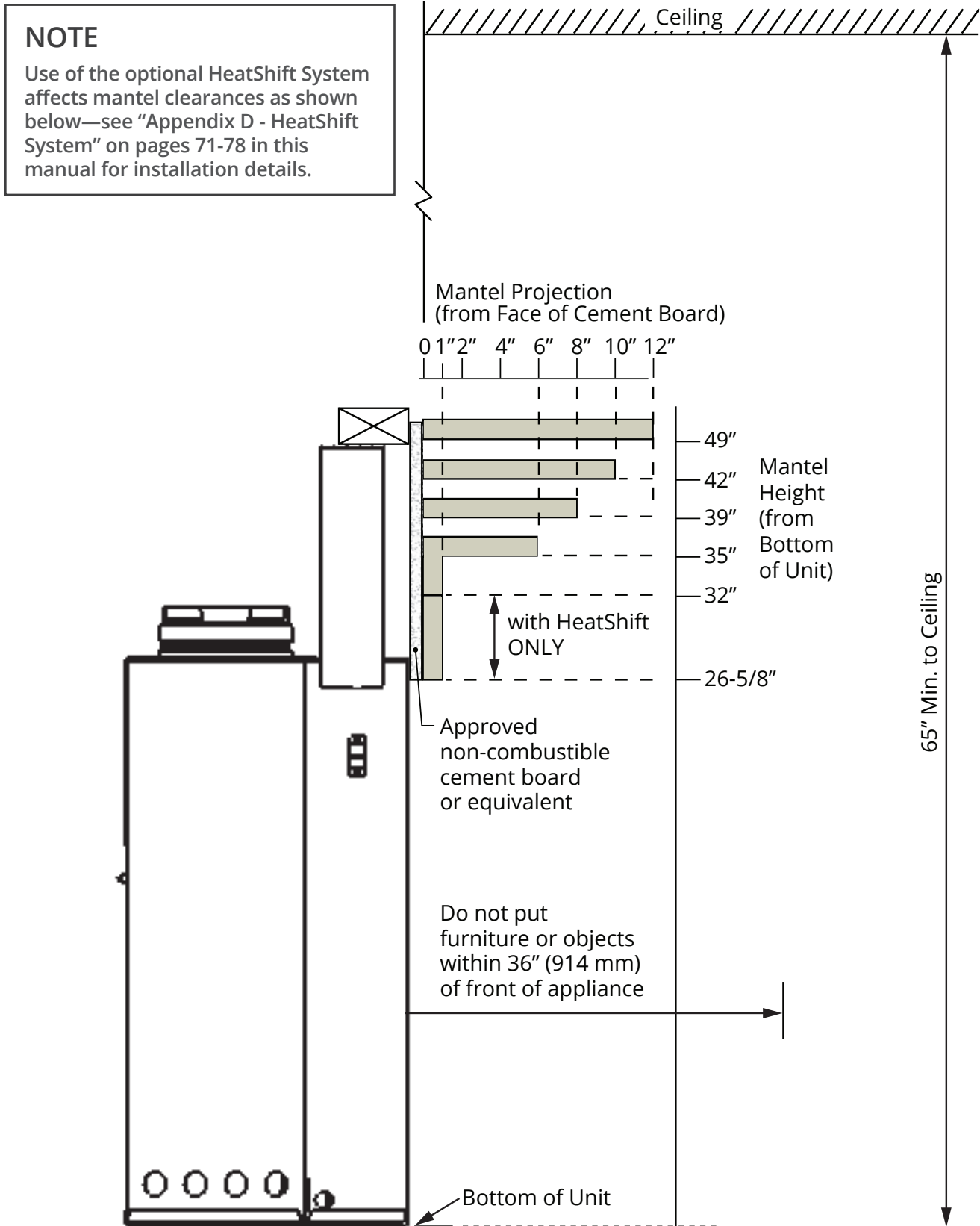
## Location





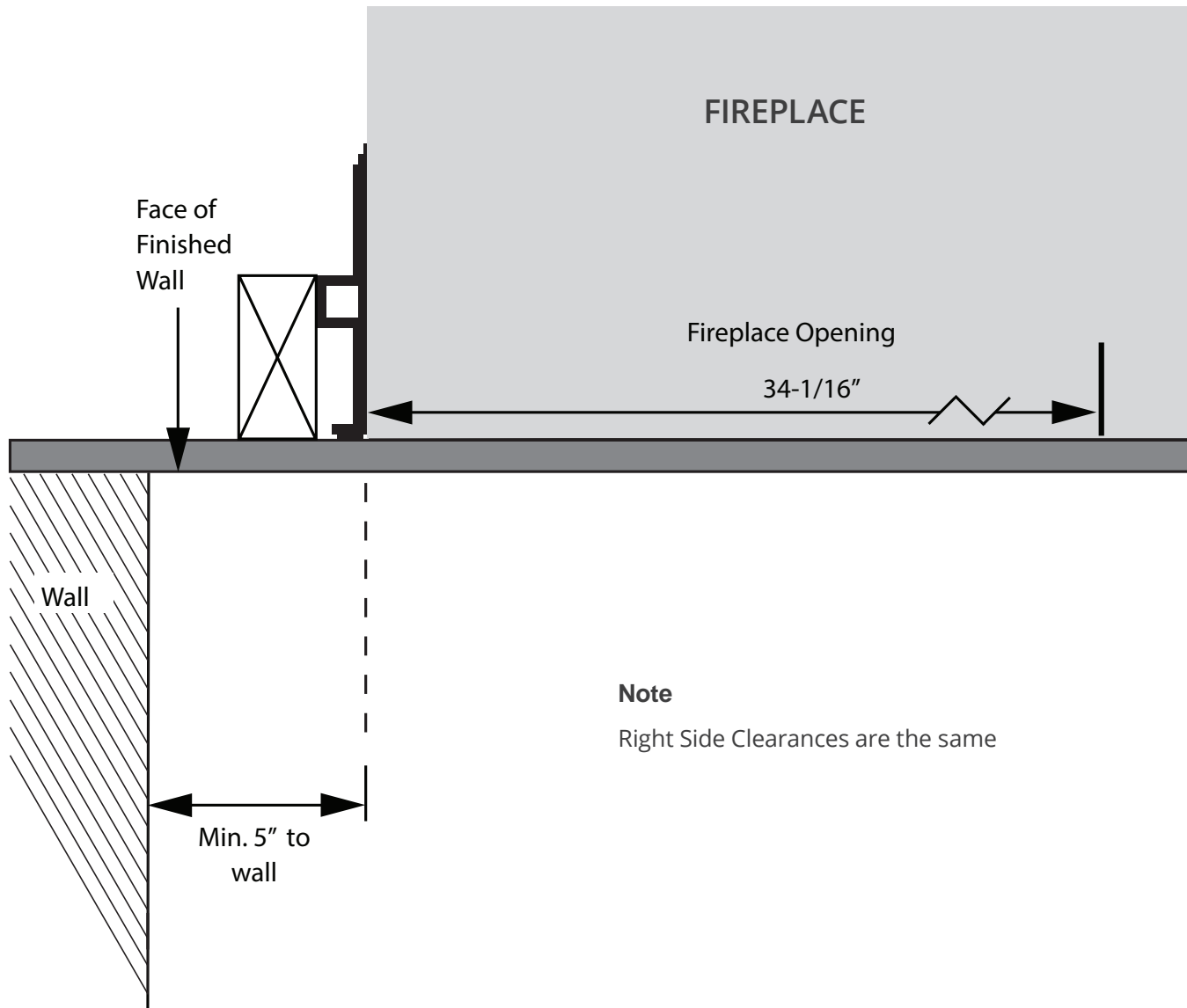
# Mantel Clearances

## Combustible Mantel—Left Side View



# Mantel Clearances

Combustible Sidewall / Mantel Leg—Top View



# Installation Planning



## Caution

ONLY qualified licensed or trained personnel should install this appliance

## Applications

There are two types of applications for the H3:

### NEW CONSTRUCTION APPLICATION— Pages 11-17

New construction applications where new framing is being built and new wall finish applied. These installations require the use of a non-combustible cement board immediately above the fireplace and a header of a minimum height of 39" from the base of the H3 appliance.

### RETROFIT APPLICATION with RC PLATES— Pages 18-19

Retrofit applications where an existing fireplace is being removed, and the existing wall finish and cavity remain. These installations allow for a lower combustible header height of 33", and combustible wall finishes within 31" of the base of the H3 appliance.

## NOTE

RC type Backing Plates are NOT compatible to use with the HeatShift System.

# Summary

Backing plate trim combination	1/2" cement board required above appliance	Wall finish	Hearth position (if any)
--------------------------------	--------------------------------------------	-------------	--------------------------

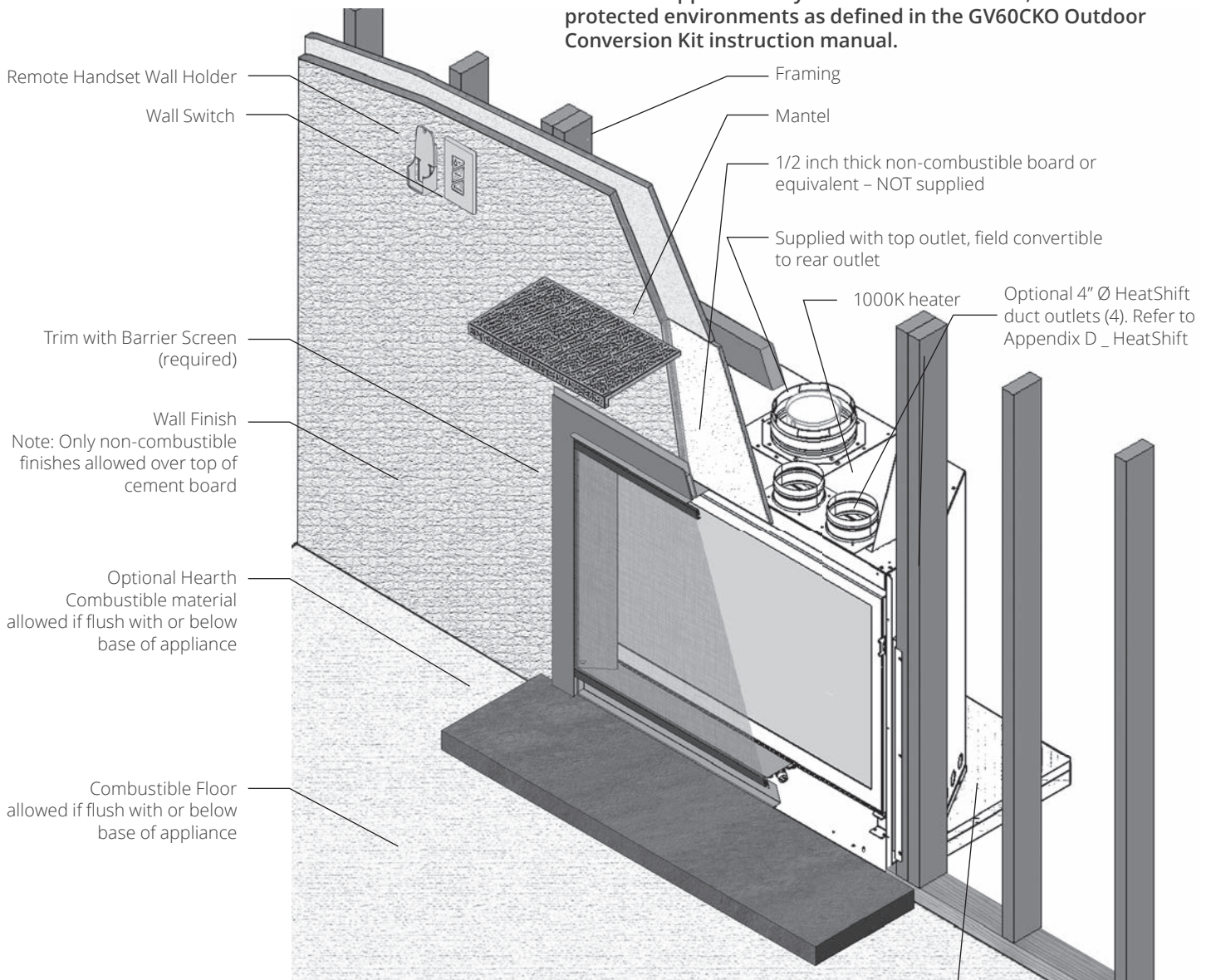
## NEW CONSTRUCTION

1030CIK Clean Installation Kit	YES	Covers kit, butts to flange	Flush or max 1-1/2" above bottom of appliance. Note: <i>Micore</i> pad required if hearth surface is above appliance base.
1035BPB 3-Sided backing plate + 1045CFV Clearview Front	YES	Backing plate adjusts to allow for thickness of non-combustible finish added over top of cement board. Max. thickness on top of cement board: 3/4".	Flush to bottom of appliance
1040BPB 4-Sided backing plate + 1041FS 4-Sided Surrounds	YES		Min. 1/4" BELOW bottom of appliance

## RETROFIT INSTALLATION—Reduced Clearance

1035BPB-RC 3-Sided backing plate + 1045CFV Clearview Front	NO	Existing wall finish. Note: When top venting, max. existing wall finish thickness, including header, is approx. 5", maintaining 1" clearance to vent.	Flush to bottom of appliance
1036BPB-RC 3-Sided tall backing plate + 1045CFV Clearview Front	NO		Flush to bottom of appliance
1040BPB-RC 4-Sided backing plate + 1041FS 4-Sided Surrounds	NO		Min. 7/8" BELOW bottom of appliance

Note: This appliance may be installed in outdoor, weather protected environments as defined in the GV60CKO Outdoor Conversion Kit instruction manual.



Combustible Framing Allowed Beneath Fireplace.  
Do not install appliance directly on carpet.

## **⚠ WARNING**

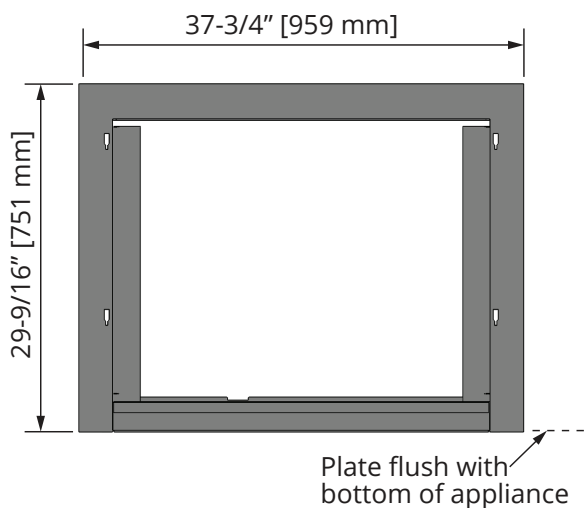
**SAFETY WARNING! The H3 is a very effective radiant heater.**

**HOT WALL SURFACES! The wall directly above the fireplace is constructed of non-combustible materials and, although safe, it may reach temperatures in excess of 200° F depending on choice of trims. Do not touch. Finish the wall using materials suitable for these temperatures.**

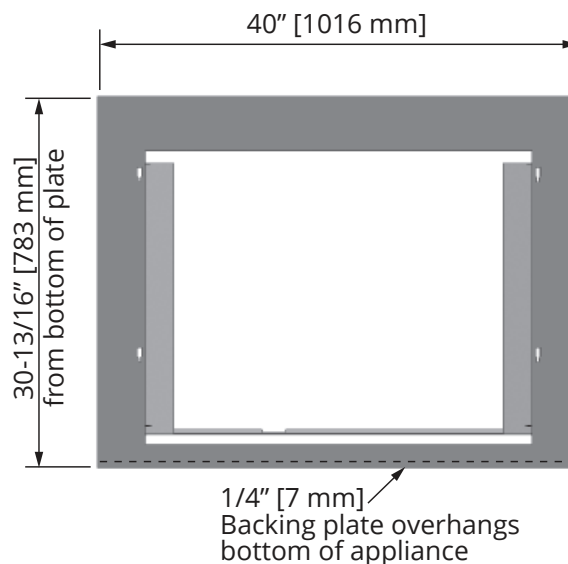
**HEARTH/FLOOR SURFACES! The hearth/floor in front of the heater can get very hot. Locating the unit raised above the hearth/floor and using the screen front will help reduce hearth temperatures. Note that some materials, although safe can degrade due to heat—take this into consideration when choosing materials.**

### Backing Plates for new constructions

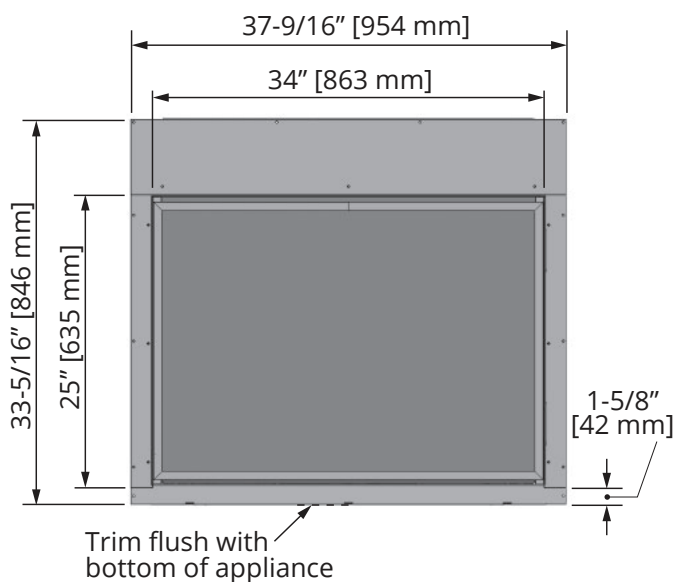
1035BPB 3-Sided Plate



1040BPB 4-Sided Plate



1030CIK Clean Installation Kit



# New Construction

## Framing & Hearth

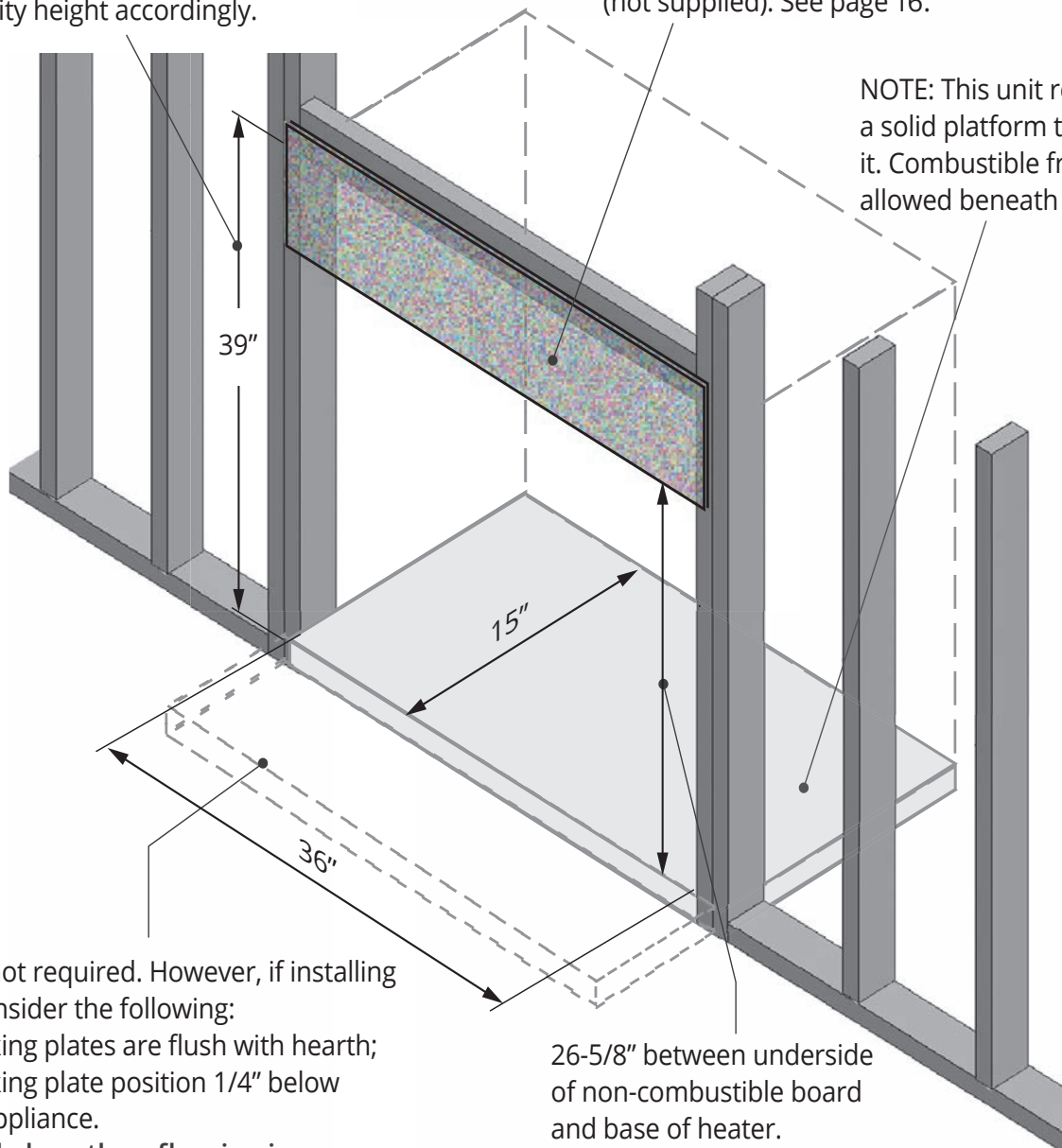
### NOTE

Use of the optional HeatShift System affects framing—see “Appendix D - HeatShift System” on page 76 in this manual for framing details.

Between underside of header and base of heater.  
Base of heater must be at finished hearth height.  
However, **please note that the 1040BPB 4-sided backing plate extend 1/4" below the base of heater.**  
Increase cavity height accordingly.

1/2" thick non-combustible board required above engine (not supplied). See page 16.

NOTE: This unit requires a solid platform to support it. Combustible framing allowed beneath fireplace.



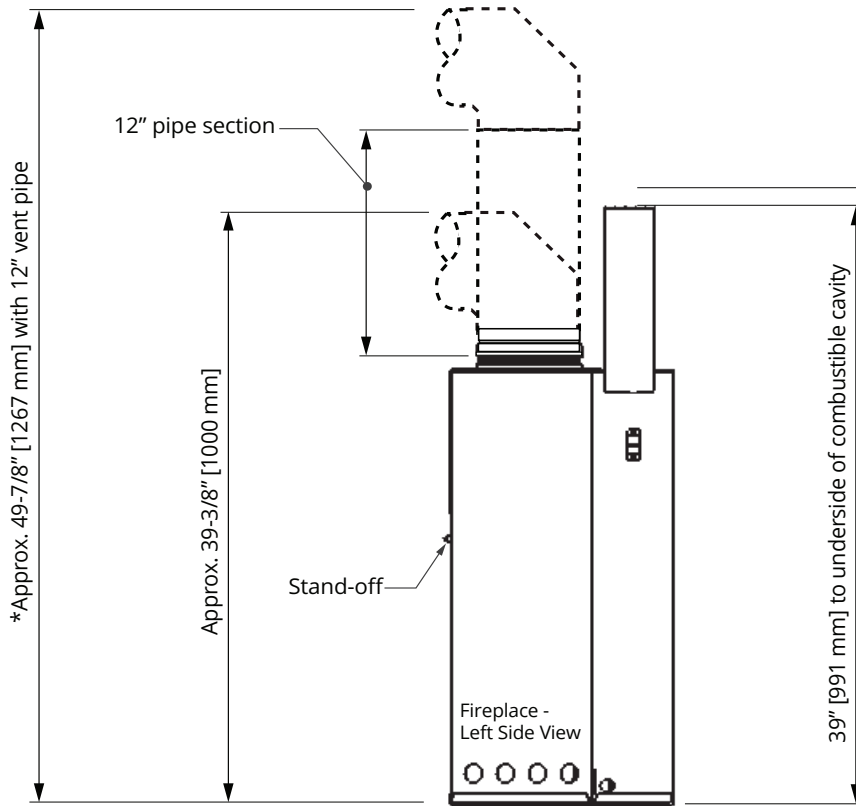
A hearth is not required. However, if installing a hearth, consider the following:  
3-sided backing plates are flush with hearth;  
4-sided backing plate position 1/4" below bottom of appliance.  
**Combustible hearth or flooring is allowed if flush with or below the base of the appliance.**



# New Construction

## Venting Considerations

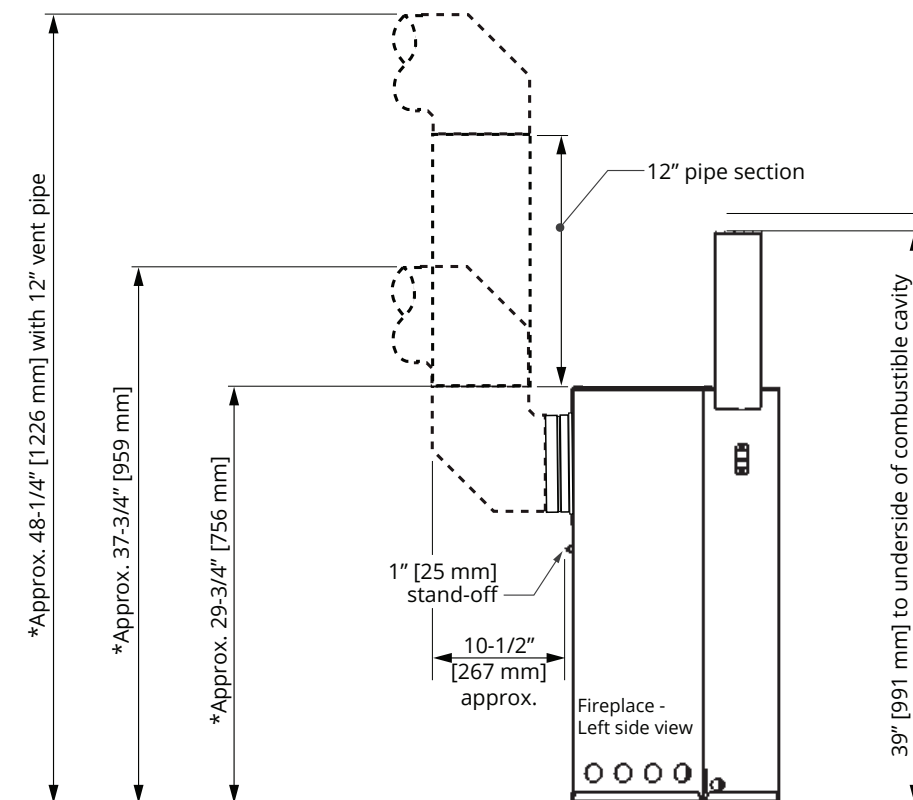
### Vertical Takeoff



### \*Notes—ALL venting considerations

- Dimensions of venting are based on using Dura-Vent elbows. Elbow curve radius dimensions will vary when using other brands. In general, other brands have slightly bigger radius.
- 3 inches clearance to combustibles required above horizontal pipe. Slope horizontal pipe upwards ¼ inch per foot. 1 inch clearance required around sides and bottom of horizontal pipe and around vertical pipe.
- When calculating other effective pipe lengths subtract approximately 1-1/2 inches per pipe joint - for example, adding a 12-inch pipe section will add approximately 10-1/2 inches overall.

### Horizontal Takeoff





# New Construction

## Wall Finish

### Planning Wall Finish

#### Non-Combustible Materials Specifications

Non-combustible materials will not ignite and burn. Such materials are those consisting entirely of steel, iron, brick, tile, concrete, slate, glass or plasters, or any combination thereof.

Materials that are reported as passing ASTM E 136, Standard Test Method for Behavior of Materials in a Vertical Tube Furnace at 750 °C shall be considered non-combustible materials.

#### Combustible Materials Specifications

Materials made of or surfaced with wood, compressed paper, plant fibers, plastics, or other material that can ignite and burn, whether flame proofed or not, or plastered or unplastered shall be considered combustible materials.

#### Non-combustible cement board (not required with -RC backing plates)

The H3 fireplace, when installed in a new construction application, requires a ½" [13 mm] thick non-combustible cement board or equivalent, to be used as a wall surface immediately above the unit—see diagram for minimum coverage.

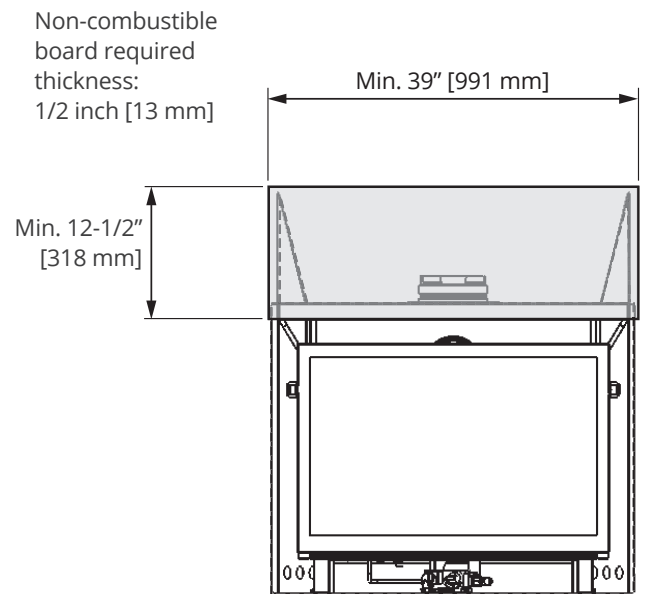
Extending the cement board well beyond the minimum shown will help avoid cracking due to differential expansion of materials. Pre-drill cement board with oversized holes and do not over-tighten screws to avoid cracking due to heat expansion.

Standard gypsum wall board may be used beyond the perimeter of the cement board although it is preferable not to change materials to help avoid cracking.

#### Finishing around trims

Additional non-combustible material such as tile and others may be applied over top of the wall surface or you may choose to leave it finished clean with no tile.

The 1030 Clean Installation Kit installs at framing stage and must be installed at the same time as the appliance. Wall finishes cover kit's panels and butt up to its fireplace opening frame.



Minimum cement board dimensions

# New Construction

## Wall Finish

New construction (non -RC) 1035 and 1040 trims install after wall finish is applied. The perimeter of trims overlap wall finish; therefore thickness of any wall finish materials must be taken into consideration. Trims have enough adjustability to allow up to 3/4" thick non-combustible material applied over top of 1/2" thick non-combustible board.

Be aware that a trim is always required and that the wall finish thickness must be taken into account for all installations other than the Clean Installation Kit 1030CIK.

Trims and fronts 1035 and 1040 will accept wall finish tucked under their edge up to approximately 1-1/4" thick.

### Avoiding Cracking Wall Finishes

**We recommend installing the optional HeatShift System to reduce the wall temperatures and minimize the possibility of cracking wall finishes.**

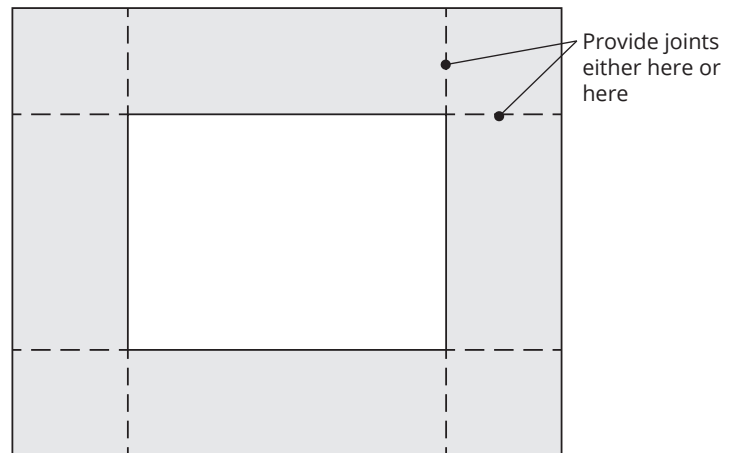
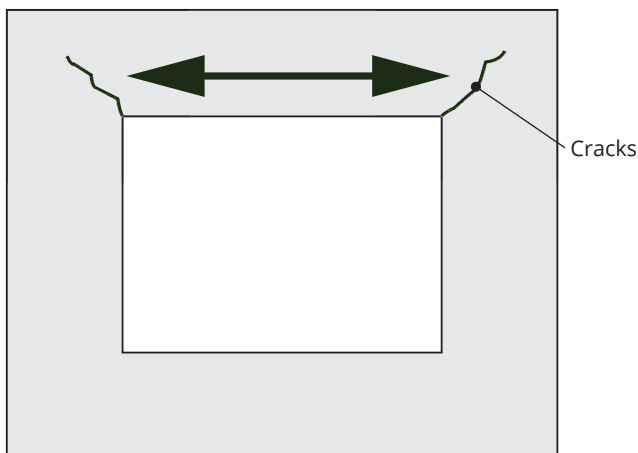
If a clean finish with no tile, etc. is desired, joints in the non-combustible board and the transition to gypsum board will require special attention if future cracking is to be controlled.

Shrinkage and differential movement of the framing and non-combustible wall board can transmit cracking through to tiles, etc.

Be aware that temperatures on the non-combustible wall surface above the appliance can exceed 200°F.

Below are some tips on how to best avoid any cracking:

- Allow materials to dry thoroughly before finishing the wall. Cement board has the ability to absorb up to 30 percent of its weight in water and may shrink as much as 1/8" over a 48" length when drying from a saturated condition. Running the fireplace for an extended period before final finishing will help drive out moisture.
- Always pre-drill screw holes through cement board and use screws with self-milling head.
- Always use mesh tape over joints.
- Always stagger joints in wall board.
- Behind joints, double up studs or use studs "on the flat" to add extra support to the joint. Adhesive on the backside of wall board behind any joints can help control differential movement.
- Use multiple, thinner coats of joint compound and allow to dry thoroughly between coats.
- Ensure framing materials are dry.
- After finishing the wall, introduce heat gradually to slowly dry any excess moisture rather than drying too fast.
- Avoid notching cement board or tiles around corners of window opening and instead provide a joint that intersects the corner.
- Avoid using large, one-piece slab of material with a cut-out in the middle as a surround for the fireplace. Expansion above the opening will cause cracking at inside corners. Provide a joint that intersects the inside corner to avoid cracking.



# Retrofit Application

## Overview

The H3 appliance with 1035-RC or 1040-RC (Reduced Clearance) versions of the backing plates are specifically designed for retrofit applications where an existing fireplace is being removed, and the existing wall finish and cavity remain. These backing plates incorporate a ventilation slot that allows for a lower combustible header height of 33", and combustible wall finishes from 31" of the base of the H3 appliance. The outer dimensions of the RC backing plates are larger, to cover a larger range of existing cavities.

Reduced Clearance backing plates DO NOT ADJUST for additional finishes applied later.

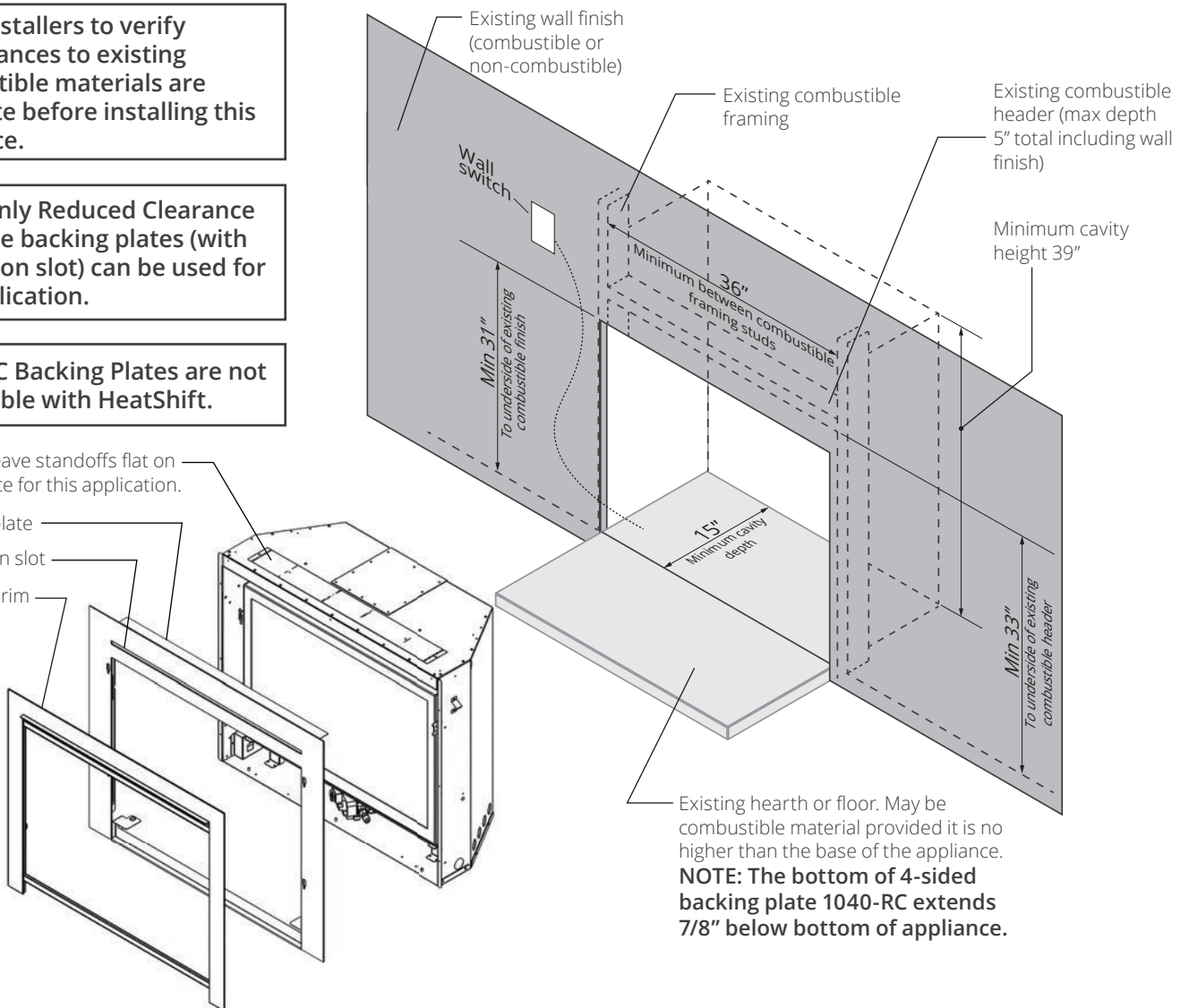
**Note:** Installers to verify all clearances to existing combustible materials are adequate before installing this appliance.

**Note:** Only Reduced Clearance (RC) style backing plates (with ventilation slot) can be used for this application.

**Note:** RC Backing Plates are not compatible with HeatShift.

Note: Leave standoffs flat on appliance for this application.

Backing plate  
Ventilation slot  
Required trim



## WARNING

**SAFETY WARNING!** The H3 is a very effective radiant heater.

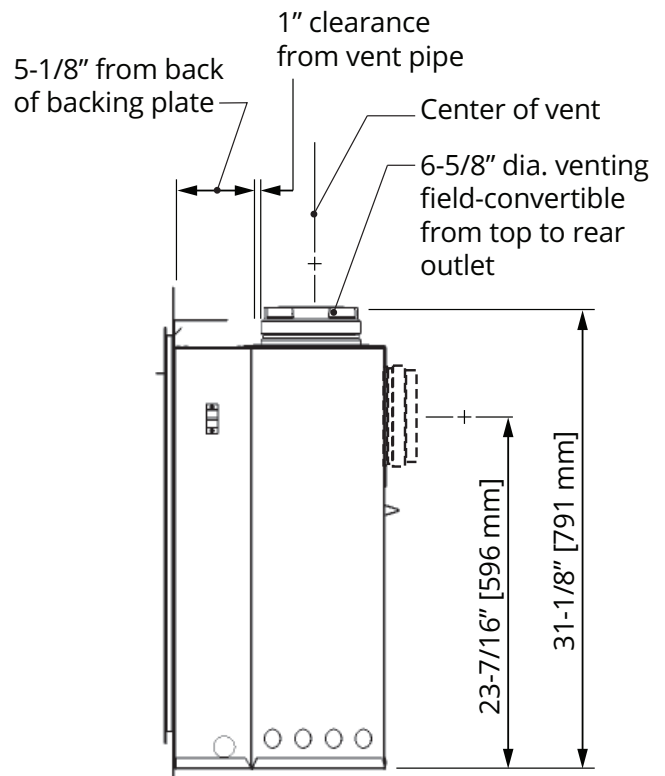
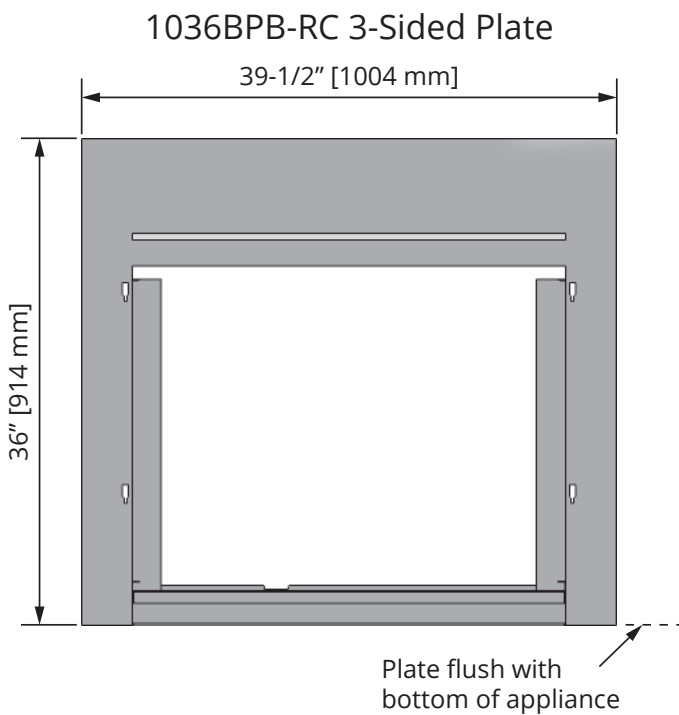
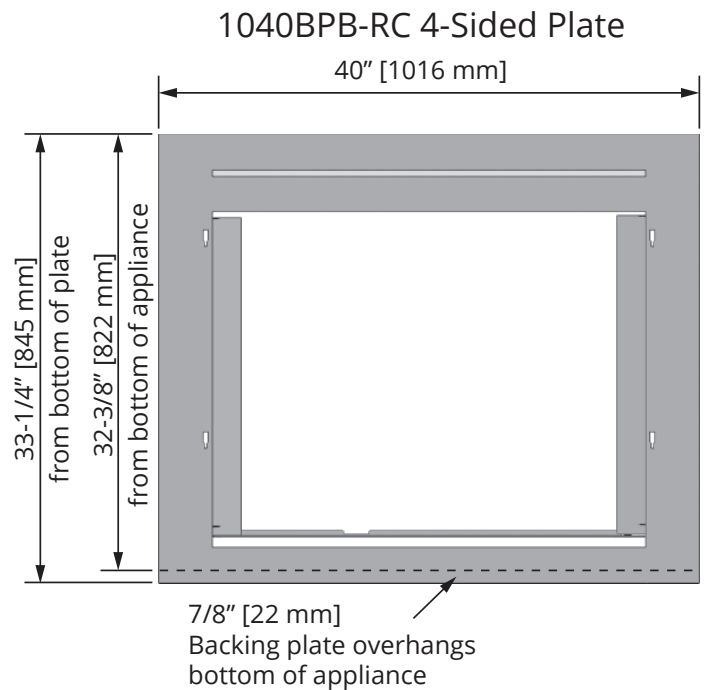
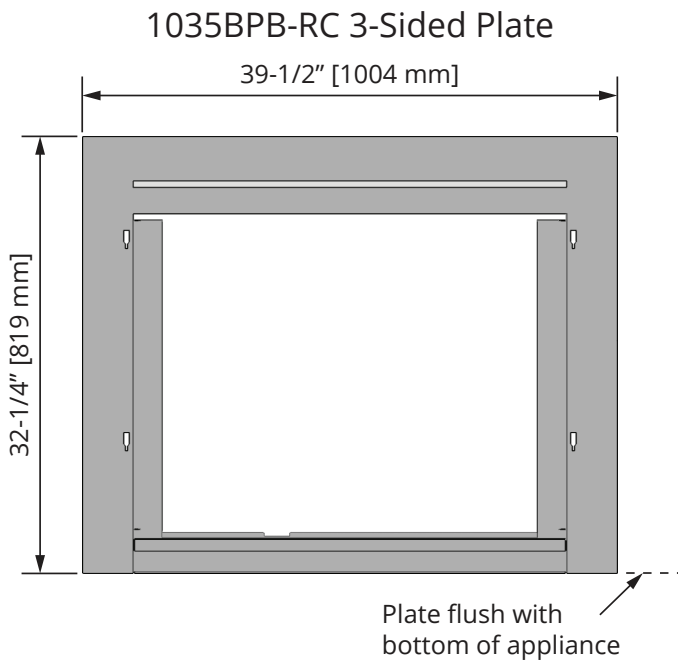
**HOT WALL SURFACES!** The wall directly above the fireplace is constructed of combustible materials and, although safe, it may reach hot temperatures depending on finish material.

**HEARTH/FLOOR SURFACES!** The hearth/floor in front of the heater can get very hot. Locating the unit raised above the hearth/floor and using the screen front will help reduce hearth temperatures. Note that some materials, although safe can degrade due to heat.

# Retrofit Application

## Overview

### Backing Plates and Fronts—Reduced Clearance



### Top or Rear Outlet

This unit is supplied with a top vent outlet which can be field-converted to a rear vent outlet. See *Installation* section for more information.

### Vent Material

This unit is approved for installation using 4 x 6-5/8-inch co-axial direct vent pipe and accessories as listed in "Approved Venting Components" on pages 61-62 of this manual. Follow the installation instructions supplied with the individual venting accessories.

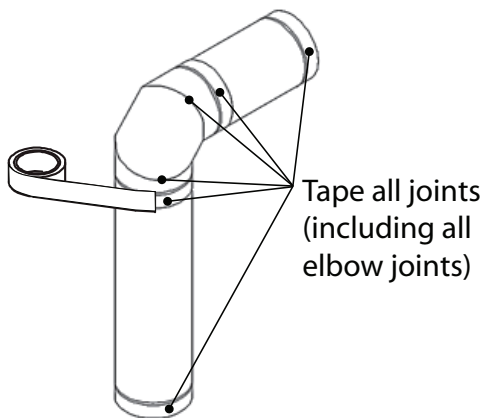
This unit may also be converted to co-linear (2 x 3 in) venting for use in solid-fuel burning fireplaces and chimneys using adapters and accessories—see "Approved Venting Components" on pages 61-62, and "Vent Conversion" on pages 28-32.

### Vent Sealing

Seal all outer coaxial pipe and elbow joints, including sectioned elbow joints, using high quality, high temperature 2 inch wide self-adhesive aluminum foil tape (Nashua-322-2 brand or similar). Wrap the tape completely around all joints and press firmly to seal.

A high temperature black silicone sealant may be used in the outer joints as a substitute to foil tape.

Ensure all the pipe joints have a minimum of 1 ¼ inch overlap.

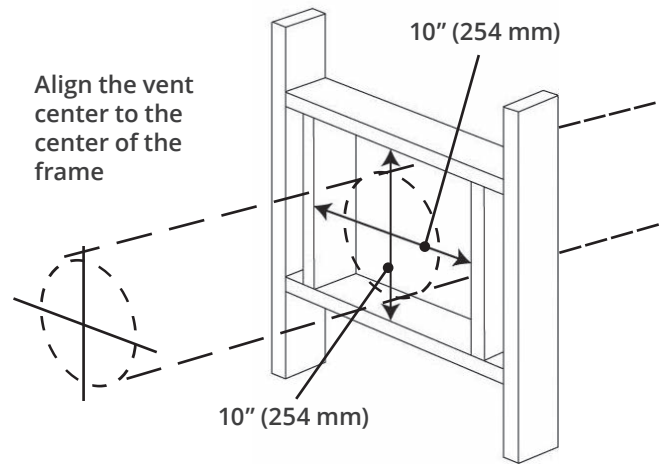


### Wall Thickness

The appliance vent is suitable for penetrating a combustible wall assembly up to 8 inches in thickness. A non-combustible wall can be of any thickness up to the maximum horizontal run of vent pipe allowed for the particular installation.

### Framing Vent in Combustible Walls & Ceilings

When penetrating through combustible walls and ceilings, frame a minimum of 10 in x 10 in opening and ensure that the insulation is kept clear of the vent pipe using either a wall thimble or an attic insulation shield. Follow the installation instructions supplied with the individual venting components.



### Important Installer Notice – Weather Sealing & Vapor Barriers

It is the installer's responsibility to ensure that vent installations through exterior walls are caulked and weatherproofed in such a manner as to:

- Prevent rain water from entering the wall from the weather side by adequately caulking the outer vent plate to the exterior wall surface.
- Prevent moisture inside the home from penetrating into the wall structure by ensuring the inside wall plate is adequately sealed to the inside vapor barrier.
- Prevent rain water and moisture from entering the walls by sealing the joints between the outer vent tube and the inner and outer wall plates.

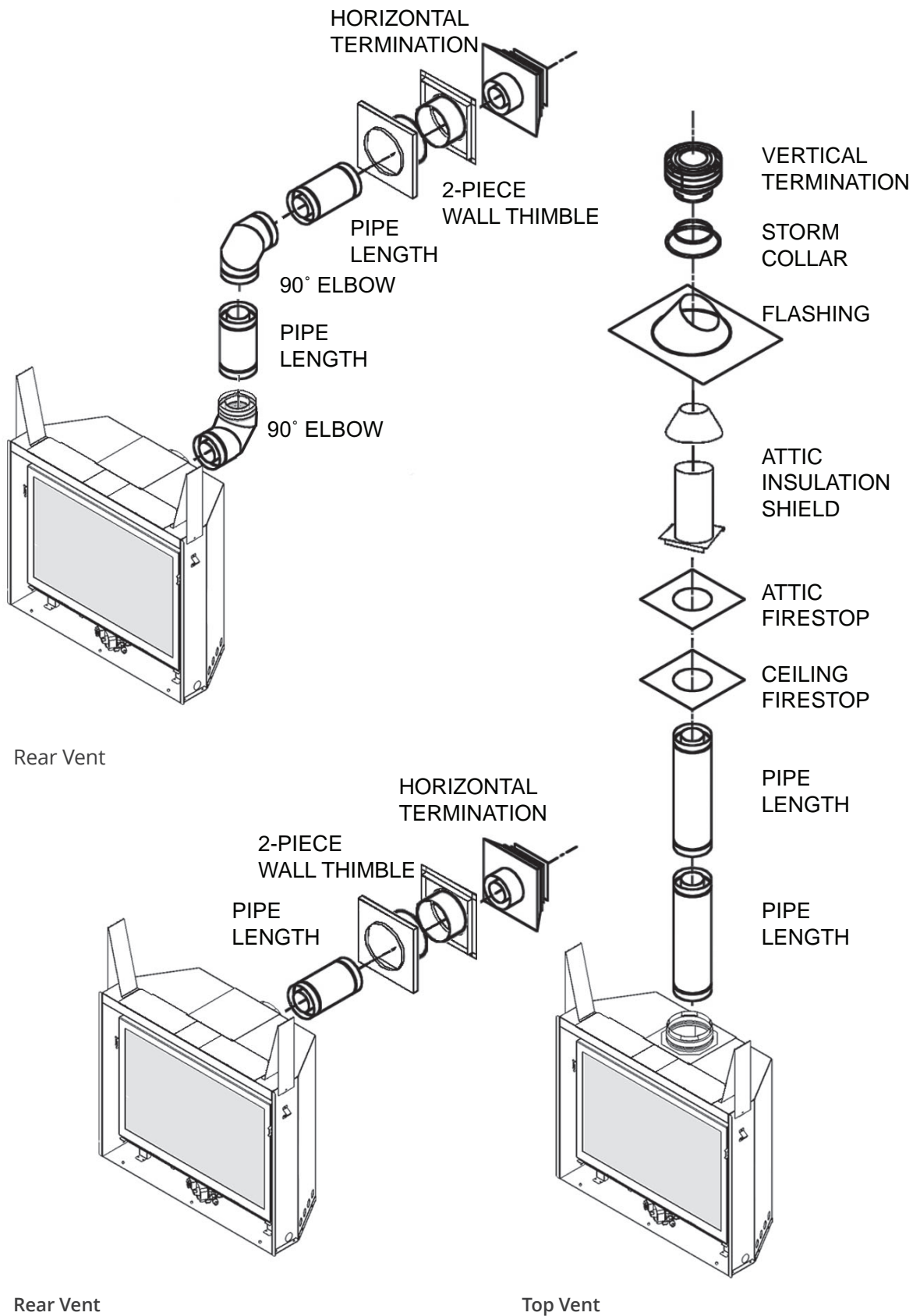
We recommend the use of a high quality polyurethane sealant.

All horizontal pipe runs must be graded 1/4 inch per foot upwards in the direction of the exhaust flow. The final pipe length, when terminating through the wall may be graded downwards slightly to prevent water migration.

# Venting

## Co-axial

### Typical Co-axial Venting Components



### How to Read the Venting Chart

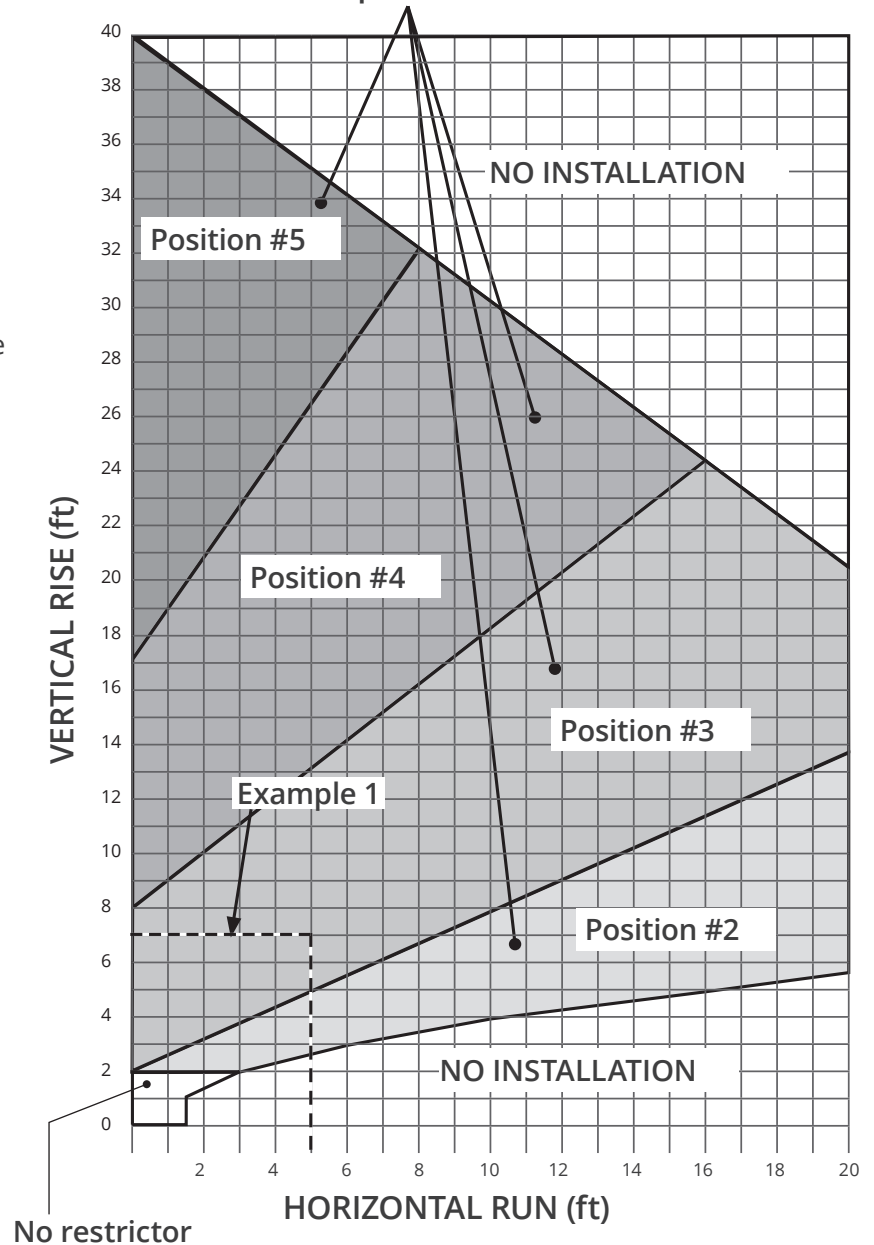
The chart below applies to co-axial roof or wall termination.

1. Maximum 18 inches horizontal pipe section allowed with no vertical in vent system. 45 degrees elbow ok on horizontal plane.
2. The total length of the vent pipe cannot exceed 40 feet.
3. The minimum vertical height with roof termination is 6 feet.
4. Any combination of rise and run can be used as long as they are within the allowable limits shown on the chart below.
5. A maximum of 4 x 90 degrees elbows—or equivalent (2 x 45 degrees = 90 degrees)—can be used.
6. Each 90 degrees elbow installed on the horizontal plane is equivalent to a 3 feet horizontal pipe; therefore, 3 feet must be subtracted from allowable horizontal run. (45 degrees elbow is equivalent to 18 inches horizontal pipe.)
7. All horizontal pipe runs must be graded 1/4 inch per foot upwards in the direction of the exhaust flow. The final pipe length, when terminating through the wall may be graded downwards slightly to prevent water migration.
8. A restrictor adjustment is required for most installations having a vertical rise—see next section.

**Note:** The restrictors are shipped loose with the appliance.

### Venting Chart

Allowable Co-Axial Vent Configurations with restrictor positions



#### Example 1

$$V \text{ Value} = V1 (3') + V2 (2') + V3 (2') = 7'$$

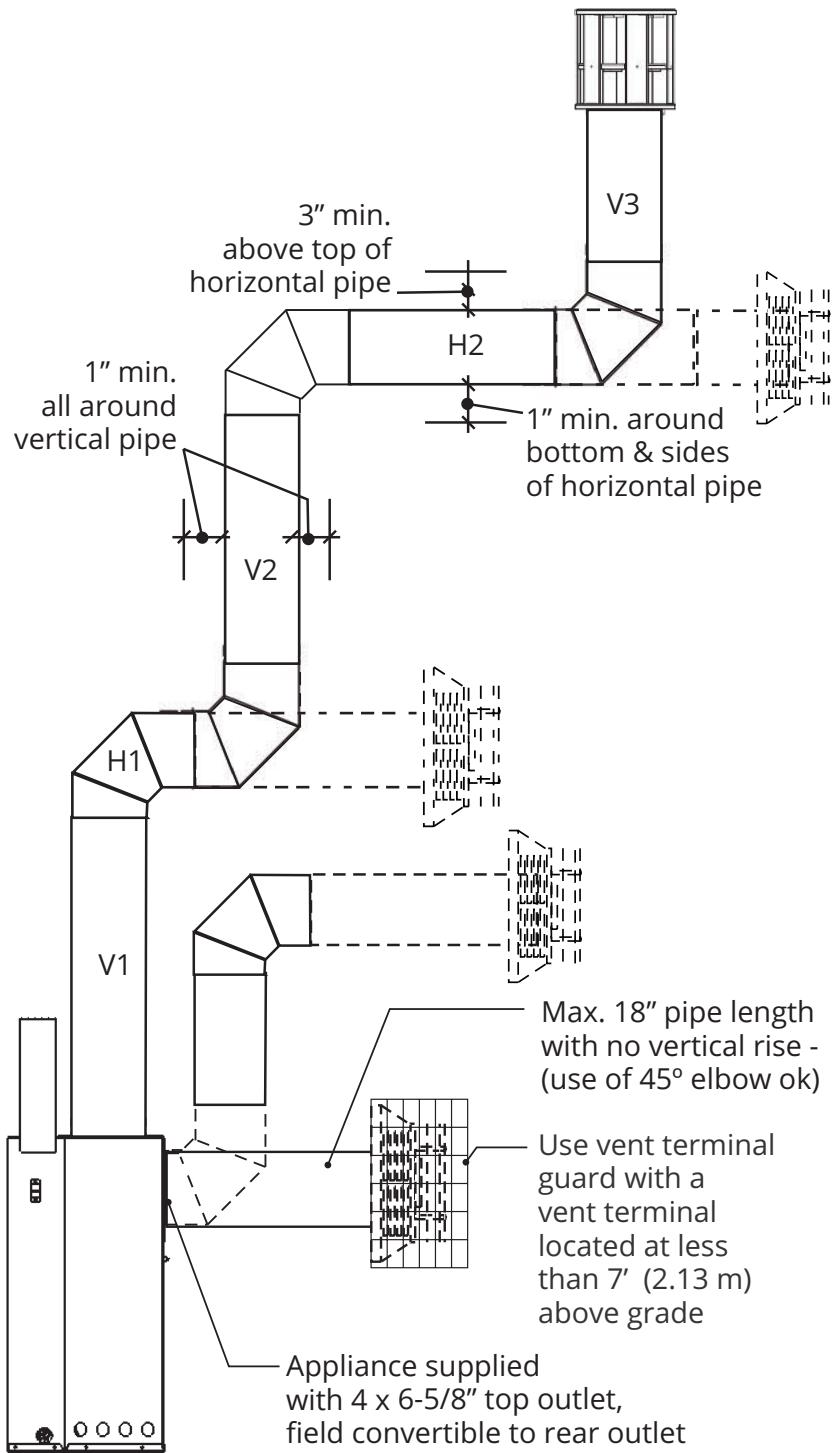
$$H \text{ Value} = H1 (3') + H2 (2') = 5'$$

Restrictor position #3 required

# Venting

## Co-axial

4 x 90° ELBOWS MAXIMUM  
(or equivalent)





### Restrictors

*The restrictors are not required when less than 1'-0" vertical rise in vent system.*

Install the restrictors in the roof of the firebox behind the top liner panel. Adjust the restrictors before installation of the top liner panel. Should subsequent adjustment be required, you will need to remove the top liner panel—see page 38.

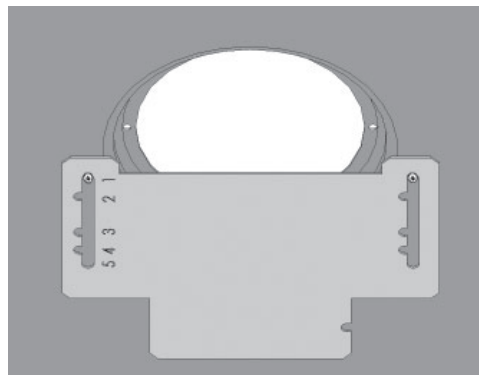
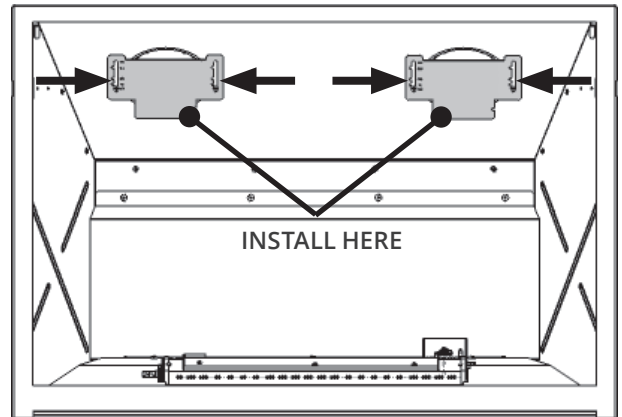
MOST INSTALLATIONS REQUIRE RESTRICTORS for improved flame picture and performance. This unit is supplied with restrictors having five different positions or settings. The level of restriction required depends on the vertical rise in the venting system and, to a lesser degree, the horizontal run and number of elbows.

The amount of restriction is based on laboratory tests. The ideal restrictor position may vary slightly, especially when the vent pipe length is near the limits of the acceptable configurations for each type of restrictor.

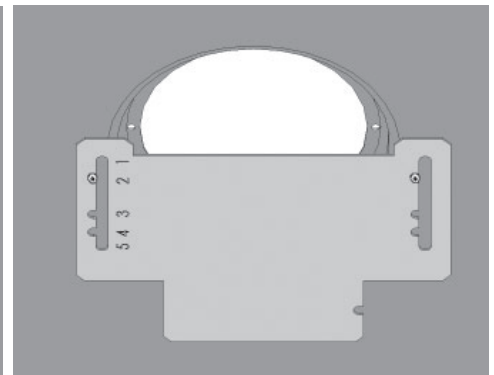
The chart on the previous page shows the vent restrictor positions required relative to the length of the vent pipe.

To set the restrictors position:

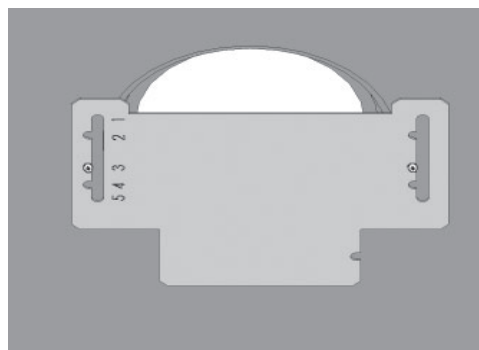
1. Establish the required position of the restrictors looking up the venting table on the previous page.
2. Fasten the restrictors using the screws (2) already installed on each side of the firebox roof ports.
3. Slide the restrictors in the required position.
4. Tighten the screws.



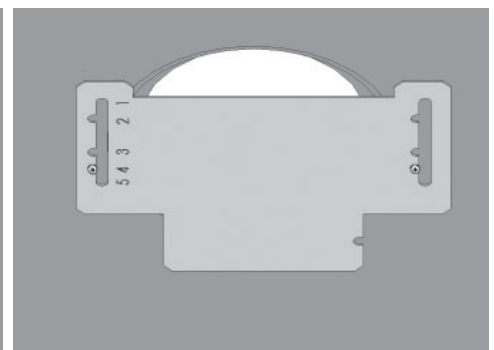
Position #1



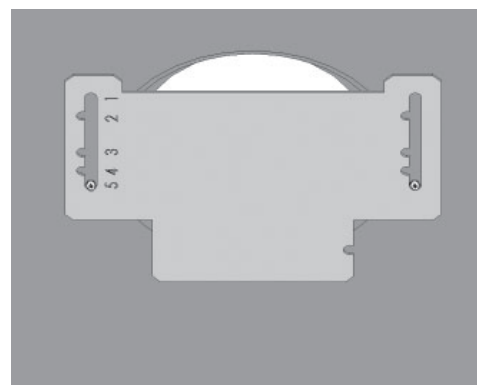
Position #2



Position #3



Position #4



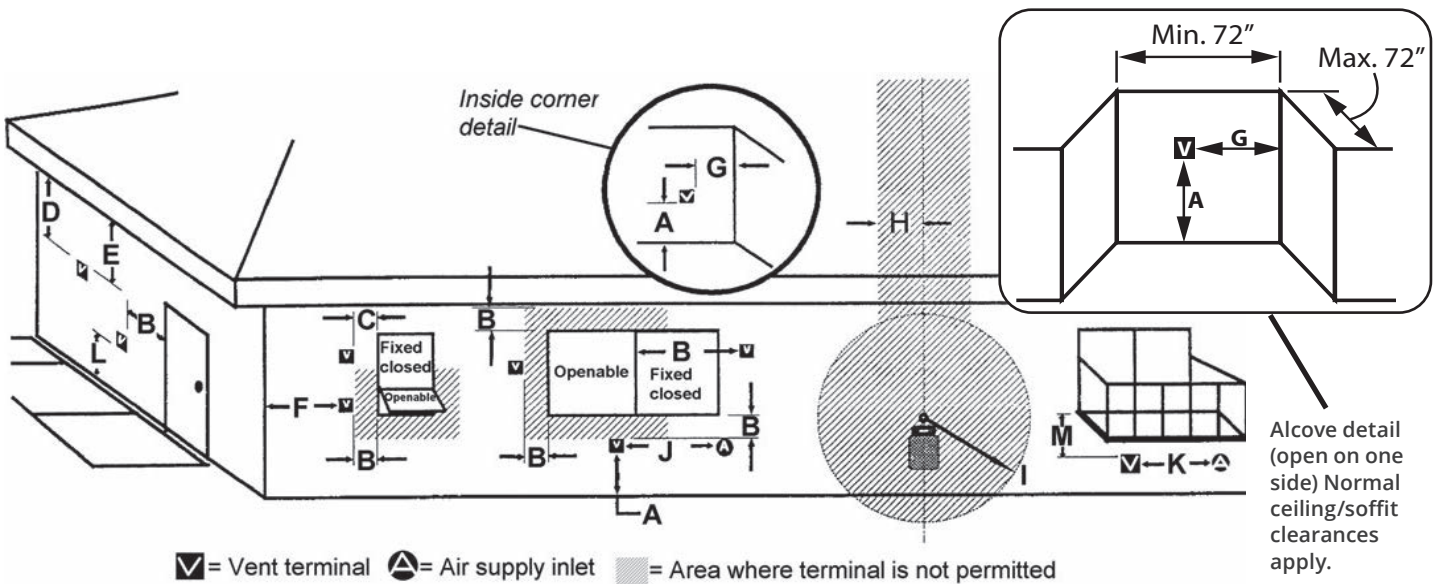
Position #5

### Horizontal Vent Termination Location

- The vent terminal must be located on an outside wall or through the roof.
- This direct vent appliance is designed to operate when an undisturbed airflow hits the outside vent terminal from any direction.
- The minimum clearances from this terminal that must be maintained when located on an outside wall are shown in figure below. Any reduction in these clearances could result in a disruption of the

airflow or a safety hazard. Local codes or regulations may require greater clearances.

- The vent terminal must not be recessed into a wall or siding.
- The vent terminal should be positioned where any snowdrifts will not cover it.
- Sidewall vent terminations require a terminal guard such as 658TG or 845TG when accessible—within 7' of ground.



KEY	VENT TERMINAL LOCATIONS - MINIMUM DISTANCES Measured from the center of vent	MINIMUM CLEARANCE	
		Inches	Cm
A	Clearance above grade, verandah, porch, deck or balcony	12	30
B	Clearance to window or door that may be opened	12	30
C	Clearance to permanently closed window (recommended to prevent condensation on window)	12	30
D	Vertical clearance to ventilated soffit located above the terminal within a horizontal distance of 2 feet (60 cm) from the center-line of the terminal	18	46
E	Clearance to unventilated soffit	12	30
F	Clearance to outside corner	12	30
G	Clearance to inside corner	12	30
H	Horizontal clearance to center-line of meter/regulator assembly located within 15 feet (4.6 m) below the terminal	36	90
I	Clearance to service regulator vent outlet	36	90
J	Clearance to non-mechanical air supply inlet to the building or the combustion air inlet to any other appliance	12	30
K	Clearance to a mechanical air supply inlet	72	180
L	Clearance above paved sidewalk or a paved driveway located on public property <b>Note:</b> A vent must not terminate directly above a sidewalk or paved driveway, which is located between two single-family dwellings and serves both dwellings. <b>THIS DOES NOT APPLY to direct vent, non-condensing appliances in the Province of Ontario.</b>	84	210
M	Clearance under a verandah, porch, deck or balcony Only permitted if veranda, porch, deck or balcony is fully open on a minimum of 2 sides beneath the floor	12	30

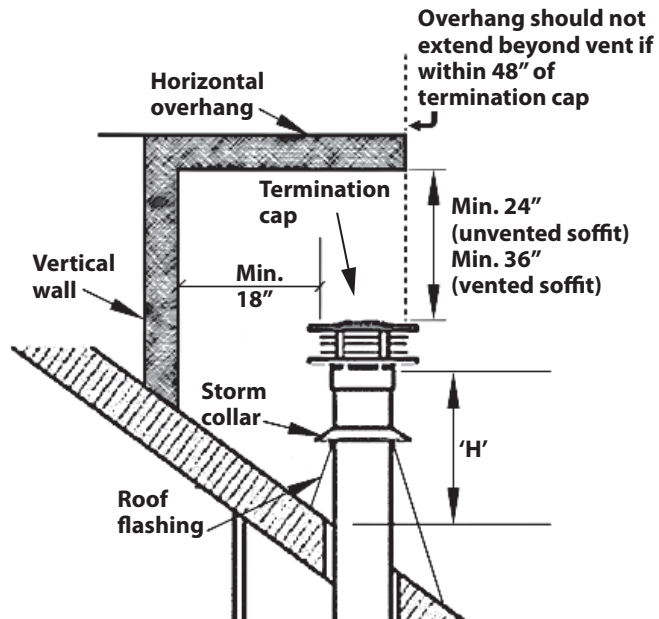
Note: Local codes and regulations may require different clearances.

# Venting

Co-axial

## Vertical Vent Termination

Roof Pitch	Minimum "H" (feet)
Flat to 7/12	1'
Over 7/12 to 8/12	1.5'
Over 8/12 to 9/12	2'
Over 9/12 to 10/12	2.5'
Over 10/12 to 11/12	3.25'
Over 11/12 to 12/12	4'
Over 12/12 to 14/12	5'



# Venting

## Vent Conversion

### Applications

This appliance can be converted to install as a co-linear application or as a co-axial using flex pipes application. The co-linear or co-axial flex portion of the vent system may only be installed within a solid-fuel burning appliance.

This appliance must not be connected to a chimney flue serving a separate solid-fuel burning appliance.

### Types of Installations

- Installation into an existing adjacent chimney
- Complete installation into an existing fireplace
- Partial installation into an existing fireplace
- Installation in chimney using co-axial flex venting

See the following pages for each installation details.

### Rules for Co-Linear Venting

- Maximum 40 feet vertical pipe
- Minimum 10 feet vertical
- Maximum offset 8 feet with liners at minimum 45 degrees from horizontal plane
- Restrictor: Not used for co-linear venting.

### NOTE

Co-linear or co-axial flexible aluminum venting liners should be professionally inspected periodically for corrosion and damage and replaced when necessary. If the installation does not allow for future inspection or replacement of the flexible aluminum liners, then stainless steel vent liners are recommended.

# Venting

## Co-Linear Into Existing Solid Fuel Chimney

### NOTE

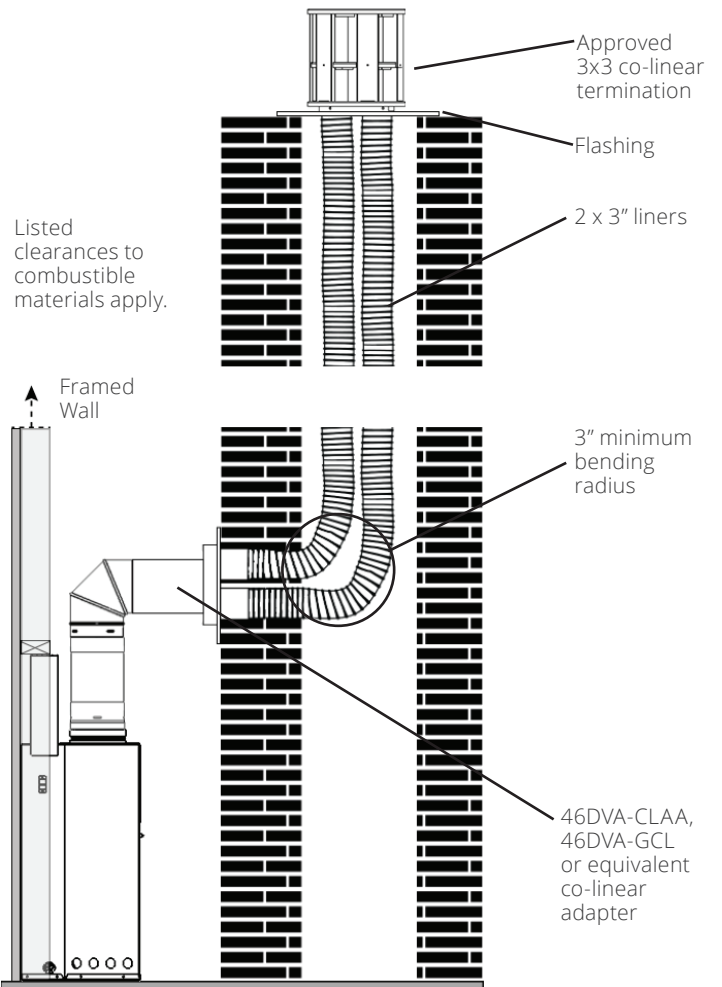
Co-linear liners must only be installed within a solid fuel burning fireplace and chimney when converting at unit.

### Required venting components:

- Approved Co-Axial to Co-Linear appliance adapter;
- Two lengths of 2-ply, 3" diameter flexible chimney liners approved for venting gas appliances;
- A co-linear termination kit and flashing or, a co-linear to co-axial adapter;
- A high wind vertical vent terminal cap or, a low profile vertical termination.

The appliance must be installed within a fully framed wall cavity, consistent with a New Construction application as described in this document.

## Vent Conversion



Co-Linear installation using nearby/adjacent existing chimney - Conversion at chimney

# Venting

## Vent Conversion

### Co-Linear Into Existing Solid Fuel Fireplace

#### NOTE

Co-linear liners must only be installed within a solid fuel burning fireplace and chimney when converting at unit.

#### Required venting components:

- Valor 1000CLA Flex Co-Linear Adapter Kit;
- Two lengths of 2-ply, 3" diameter flexible chimney liners approved for venting gas appliances;
- Co-linear termination kit and flashing or co-linear to co-axial adapter;
- High wind vertical vent terminal cap or low profile vertical termination.

#### Complete Installation into an Existing Fireplace

The appliance can be installed completely inserted into the non-combustible cavity as illustrated below.

In this case, the firebox zero clearance standoffs supplied with the heater are not required.

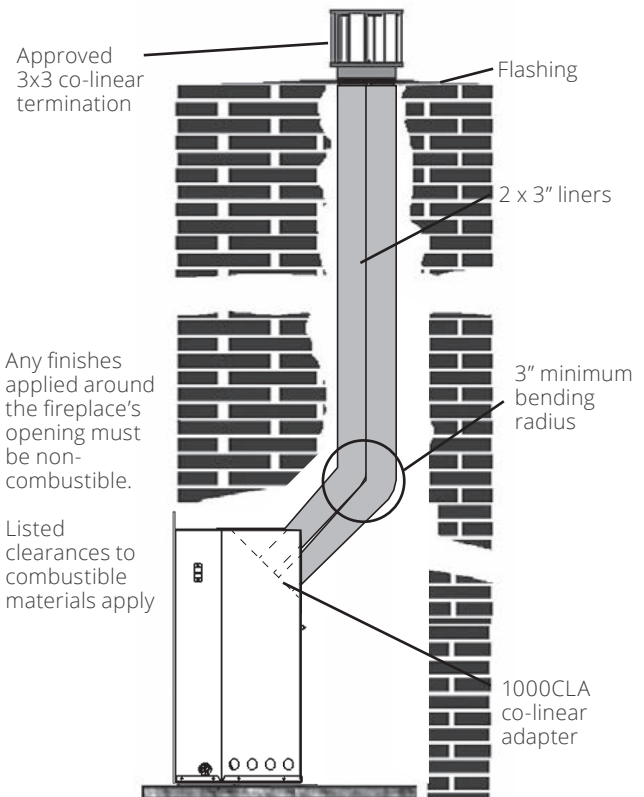
#### Partial Installation into an Existing Fireplace

The appliance can be partially inserted into the non-combustible cavity as illustrated below.

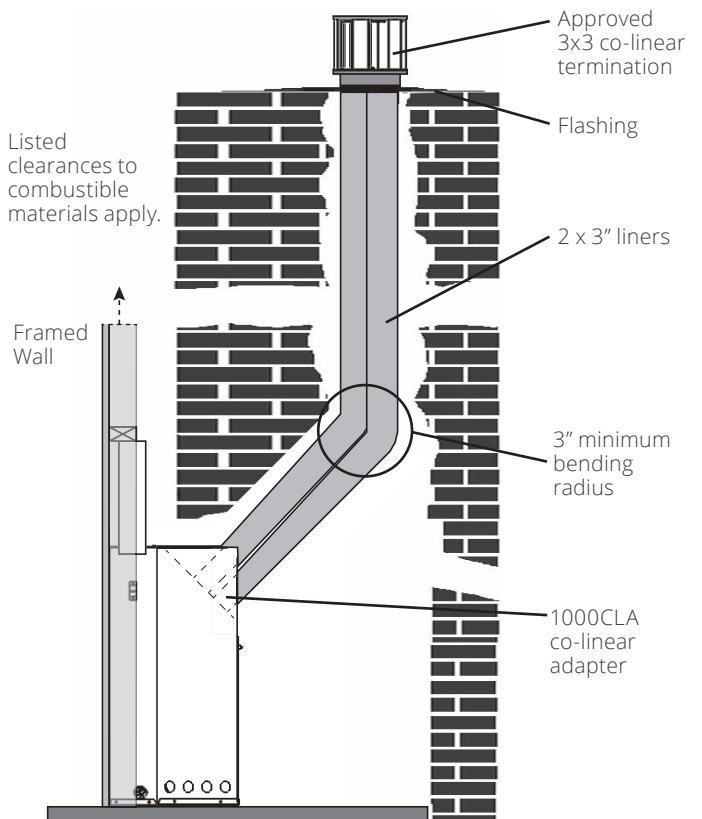
In this case, the appliance must be installed **within a fully framed wall**, consistent with a New Construction application as described in this manual.

#### NOTE

See 1000CLA Installation Guide for further details and installation instructions.



Co-Linear installation fully inserted into existing fireplace - Conversion at unit



Co-Linear installation partially inserted into existing fireplace - Conversion at unit

# Venting

## Vent Conversion

### Co-Axial Flex Into Existing Solid Fuel Fireplace

#### NOTE

Flex liners must only be installed within a solid fuel burning fireplace and chimney when converting at unit.

The appliance can be adapted to flexible co-axial applications using an existing fireplace and cavity.

#### Required venting kits:

- Valor 1000CAA Flex Co-Axial Appliance Adapter;
- Valor 590FVK2 Flex Vent Kit
- High wind vertical co-axial vent terminal cap or low profile co-axial vertical termination

#### Complete Installation into an Existing Fireplace

The appliance can be installed completely inserted into the non-combustible cavity as illustrated below.

In this case, the firebox zero clearance standoffs supplied with the heater are not required.

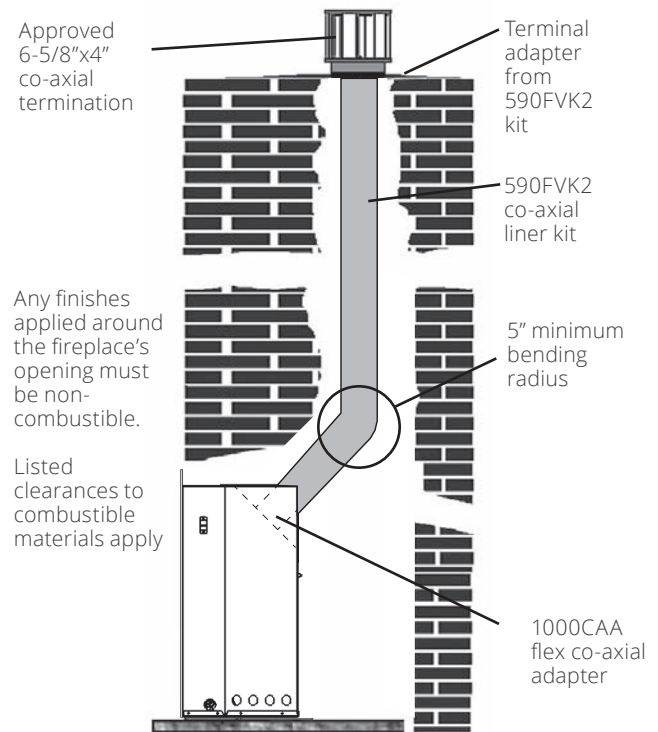
#### Partial Installation into an Existing Fireplace

The appliance can be partially inserted into the non-combustible cavity as illustrated below.

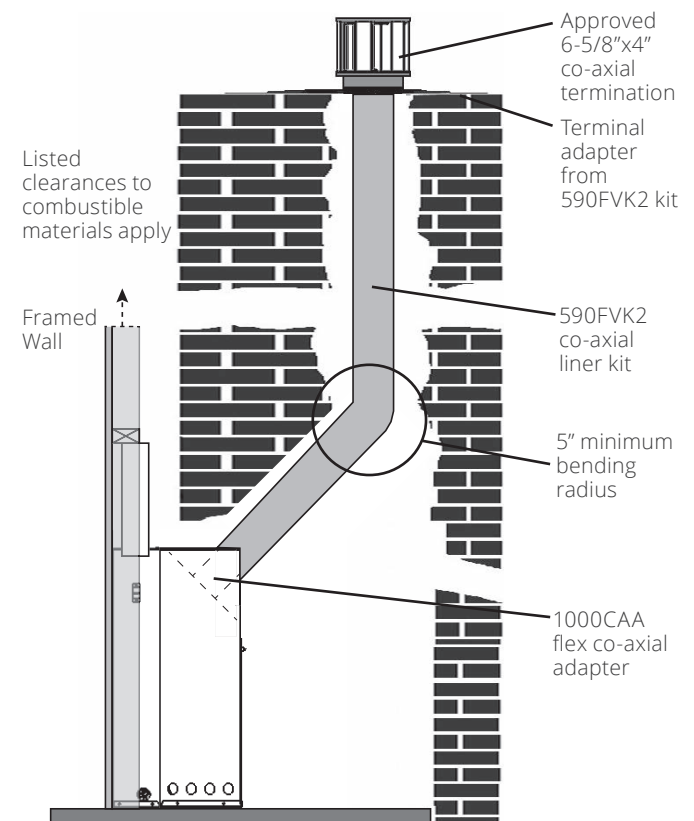
In this case, the appliance must be installed **within a fully framed wall**, consistent with a New Construction application as described in this manual.

#### NOTE

See 1000CAA and 590FVK2 Installation Guides for further details and installation instructions.



Flex Co-Axial installation fully inserted into existing fireplace - Conversion at unit



Flex Co-Axial installation partially inserted into existing fireplace - Conversion at unit

# Venting

## Vent Conversion

### Adapters and Terminations

#### Examples of Co-axial to Co-linear Adapters



1000CLA

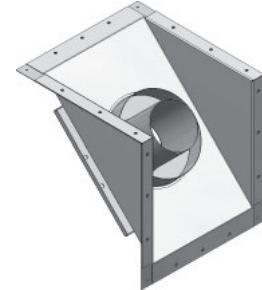


46DVA-GCL



46DVA-CLAA

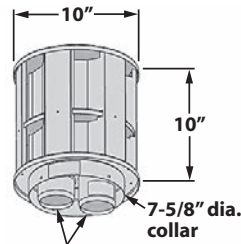
#### Co-axial to Flex Co-axial Adapter



1000CAA

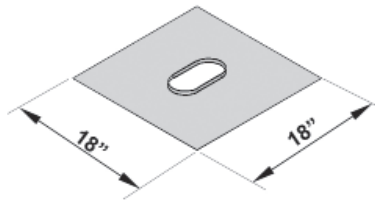
Use with 590FVK2 + Co-axial Terminal Cap (both sold separately)

#### Examples of Co-linear Terminal Configurations

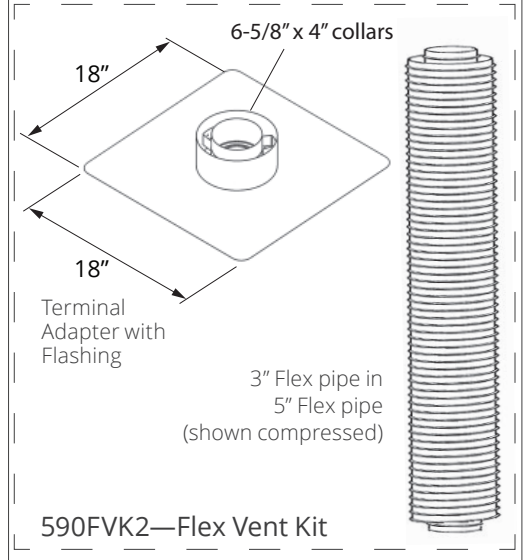


3" Inlet & Exhaust Collars

Co-Linear Terminal (typical)

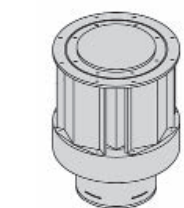


Flashing



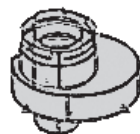
590FVK2—Flex Vent Kit

#### Alternate Co-linear-to-Co-axial Conversion at Terminal

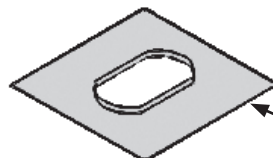


Co-axial Terminal Cap

With...



Co-Linear to Co-Axial Adapter



Flashing



# Appliance Preparation

## Unpack Appliance



### Caution

Beware of sharp edges! Wear gloves!

1. Remove packaging from appliance and discard.
2. Unpack any loose items from around the appliance.
3. **Verify that you have all the components required for the installation, including:**
  - approved non combustibile cement board, if required;
  - liners and fuel bed (in separate cartons);
  - backing plate and trim kit with barrier screen OR 1030CIK Clean Installation Kit;
  - venting components and accessories;
  - electrical components if installing optional fan.

## Convert Vent Outlet (if required)

This unit is supplied with a top vent outlet which can be field-converted to a rear vent outlet. If appliance is to be vented on top, go to next step.

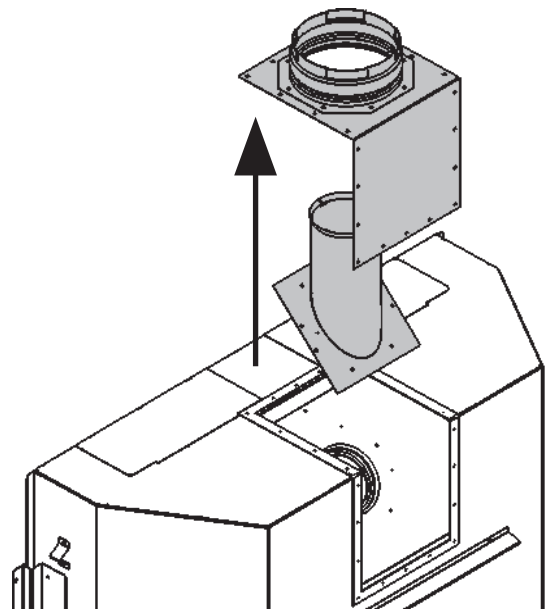
If appliance is to be vented from rear, it must be converted:

### NOTE

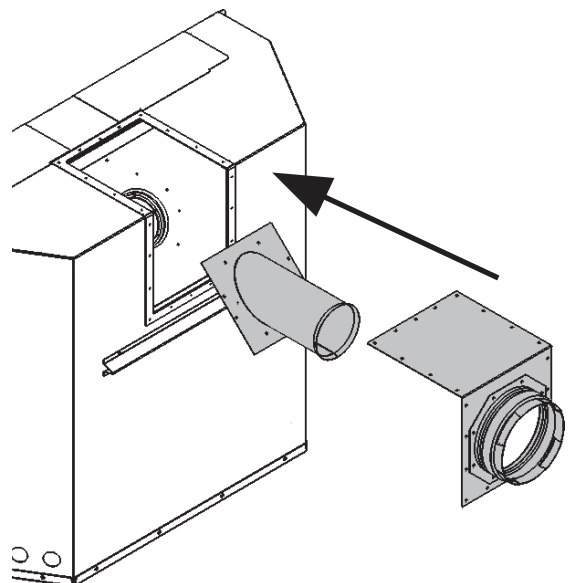
If converting the appliance to use 1000CAA or 1000CLA adapters, see the Installation Instructions included with each adapter kit.

1. Remove the following parts in this order:
  - a. Top outlet collar, gasket and intake plate from appliance;
  - b. Exhaust collar.

NOTE: Gaskets are glued to appliance or intake plate; it is not necessary to separate them from the parts they are attached to. However, if they need to be manipulated, **BE CAREFUL not to damage them** because their material is fragile.



3. Re-install through vent opening at rear of appliance in reverse order in which you took parts out.



# Appliance Preparation

## Install Stand-offs

Stand-offs are supplied flat on firebox and are secured at one end.

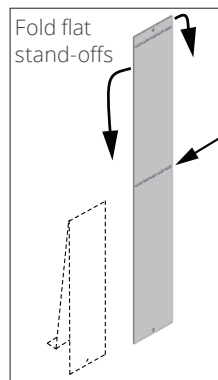
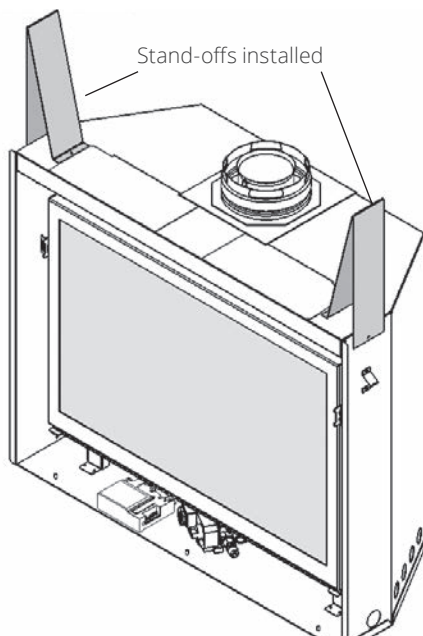
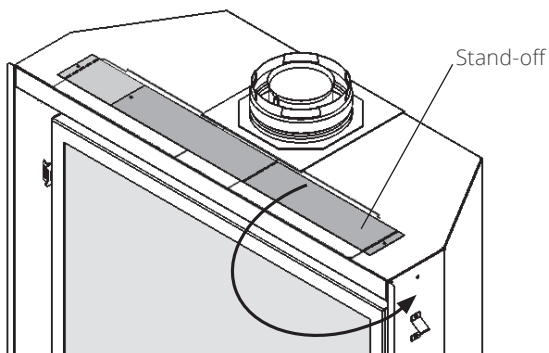
1. For retrofitting in existing framing: Leave the stand-offs flat on appliance case.



### Caution

Installer to verify clearances to all existing combustible construction before retrofitting appliance into existing wall cavity.

2. For new construction framing: swivel up flat stand-offs, bend them as shown and secure loose end to top of firebox.



# Appliance Preparation

## Optional HeatShift

### If You Are Installing HeatShift ONLY

To be effective, the HeatShift system requires that an internal convection baffle located above the firebox inside the appliance case be removed to allow the hot air flow to convect upwards into ducts installed on the fireplace. Takeoff collars also need to be installed on top of the fireplace.

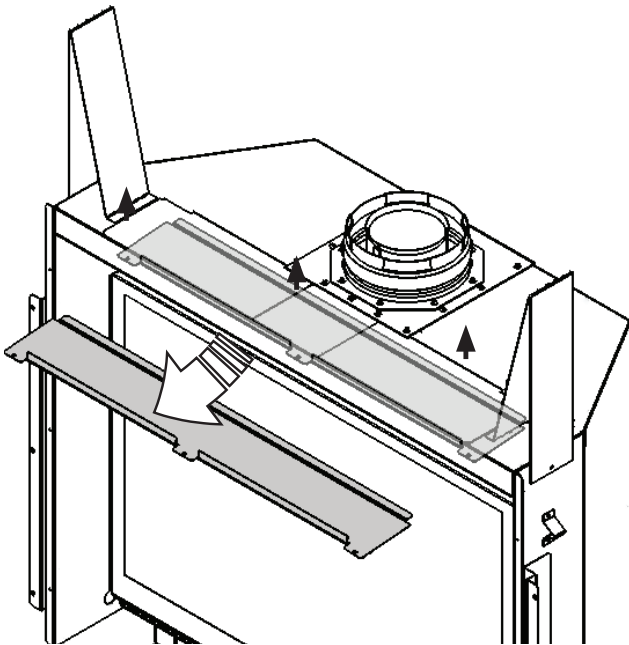
See "Appendix D - HeatShift System" on page 71 for more details regarding HeatShift installation and planning.

**DO NOT perform these steps if you are not installing the optional HeatShift kits!**

### Remove Convection Baffle

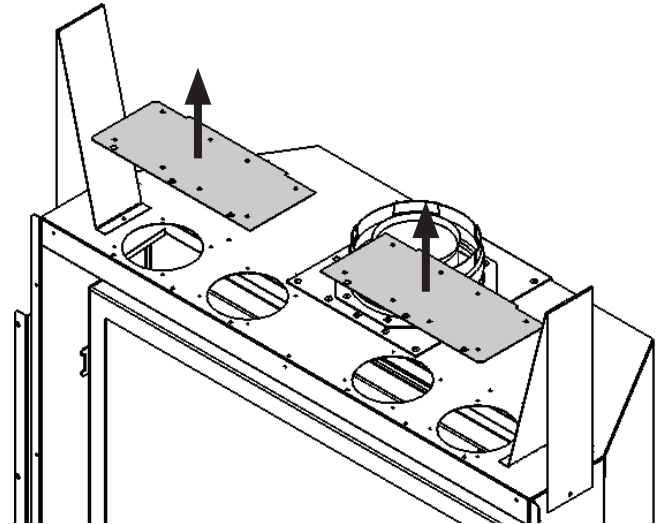
Remove the convection baffle from the appliance. It is held in place by 3 screws located right behind the upper edge of the fireplace opening. Recycle this panel as it is no longer needed.

Top of fireplace shown transparently for clarity.

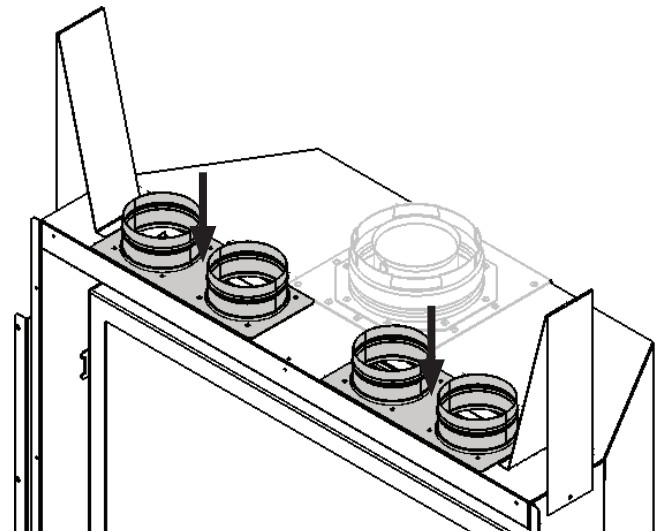


### Install HeatShift Take-Off Collars

1. Remove the two cover plates on top of the appliance case (8 screws each).



2. Install the take-off collars on the holes on top of the appliance's case (8 screws each).



### **WARNING**

The H3 fireplace requires the removal of the internal convection baffle for the HeatShift system to function properly—read instructions carefully!

### **WARNING**

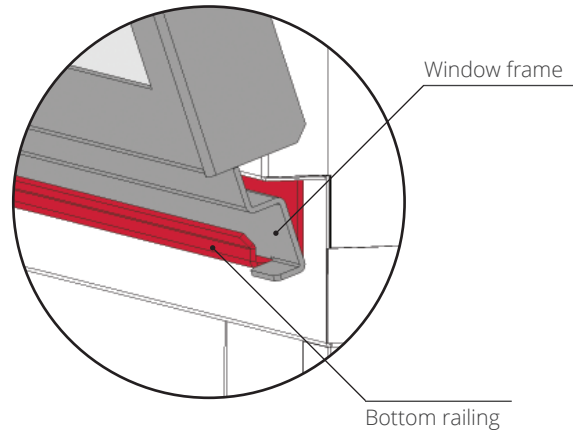
All FOUR (4) takeoffs MUST BE CONNECTED TO PLENUM(S).

# Appliance Preparation

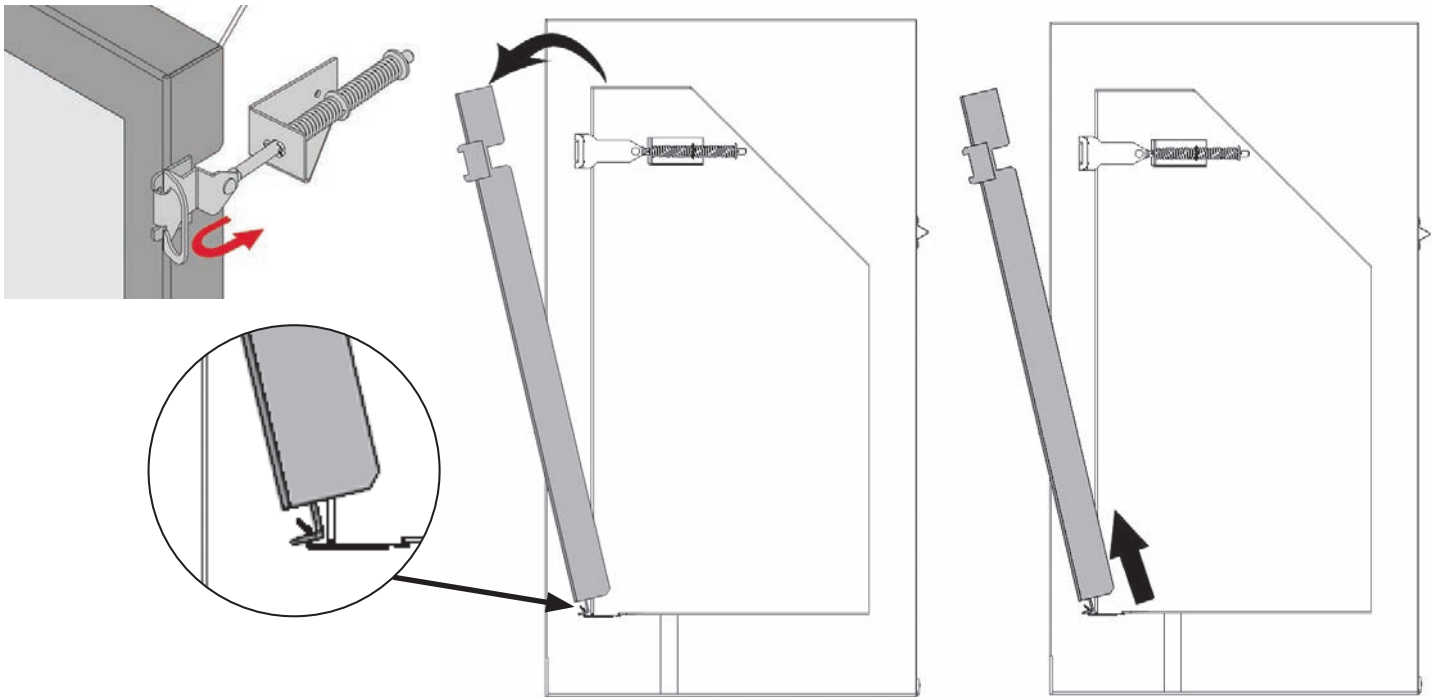
## Remove Window

The window is held in place by a spring-loaded lever on each side of the firebox.

1. To remove the window, locate the levers on each side of the window towards the top. Using your finger, pull the lever towards you and unhook it from the window frame bracket.
2. Gently pull the top of the window outward.
3. Lift the window out of its bottom railing and set it aside in a safe place to avoid damage.



## Section Views



# Installation

## Install Appliance for 1030 Clean Installation Kit (new construction only)

The 1030 Clean Installation Kit installs at the time of framing the appliance. Wall finishes are then applied over top of flanges and butted up to 1030's frame.

The side brackets provided loose with the appliance are not needed with this kit.

**The 1030 Clean Installation Kit is not compatible with any other trim kit.**

No



## 1030CIK—Clean Installation Kit

### Hearth considerations

You need to know whether there will be a hearth or not in front of the appliance and some rules must be considered:

#### Without hearth (up the wall)

In the case where there is no hearth, the wall finish can extend up to the flange at bottom of 1030CIK. See diagram.

#### With hearth

Combustible hearths and flooring are allowed providing they are flush with, or below, the bottom of the appliance. Hearths raised above the bottom of the appliance (max. 1-5/8" thick) will need to be constructed of non-combustible material and use a thermal break such as Micore between the non-combustible finish and any combustible sub-floor below.



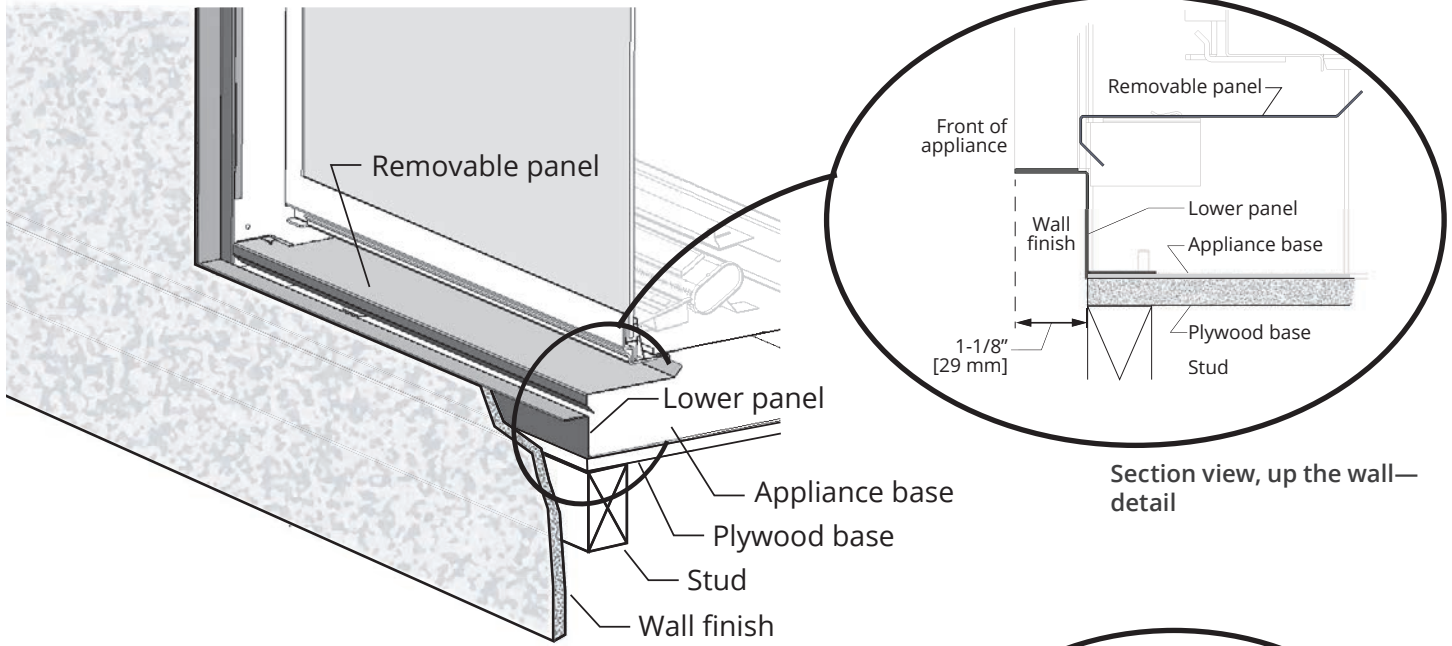
### **WARNING**

**Raised, non-combustible hearths, although safe, can get quite hot and may present a burn hazard to children and other at-risk individuals.**

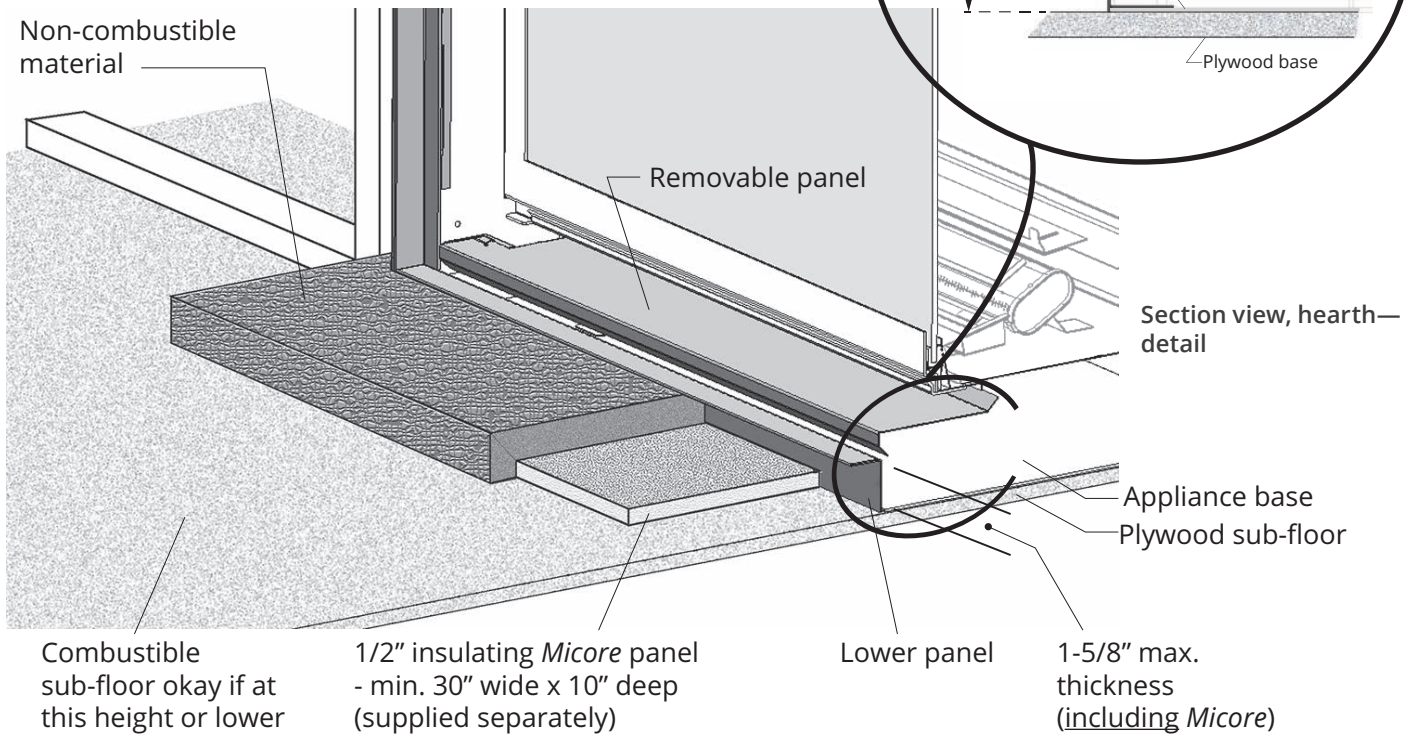
# Installation

## 1030CIK—Clean Installation Kit

### 1030CIK - Finishing up the wall



### 1030CIK - Finishing with hearth

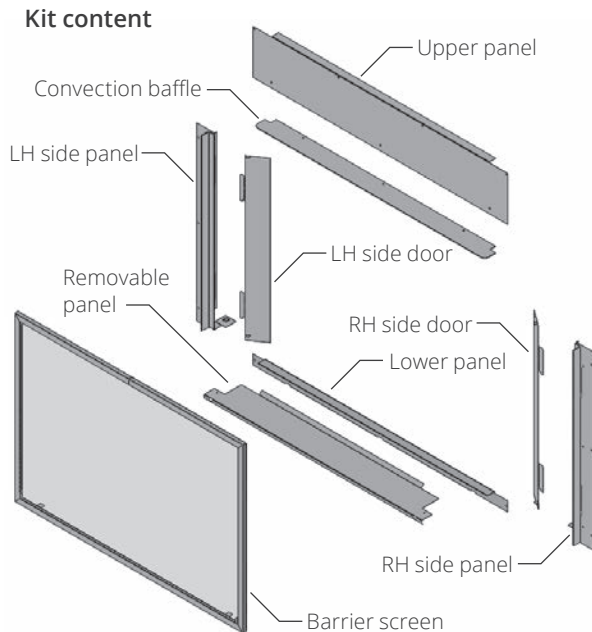


# Installation

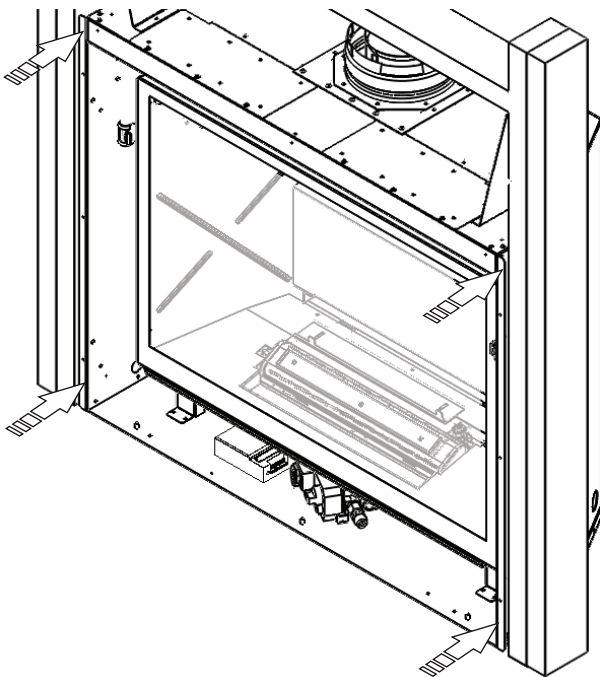
## 1030CIK—Clean Installation Kit

### Install 1030CIK to appliance

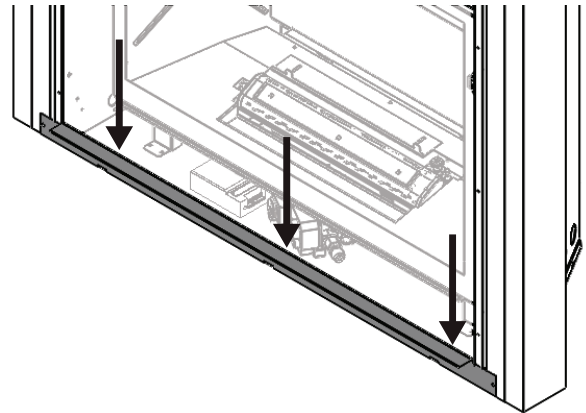
1. Unpack 1030 kit ensuring you have all pieces on hand.



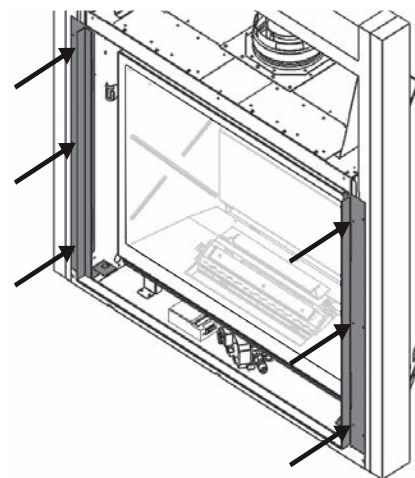
2. Align the appliance with the cavity, and push it in until the front face is flush with the studs.



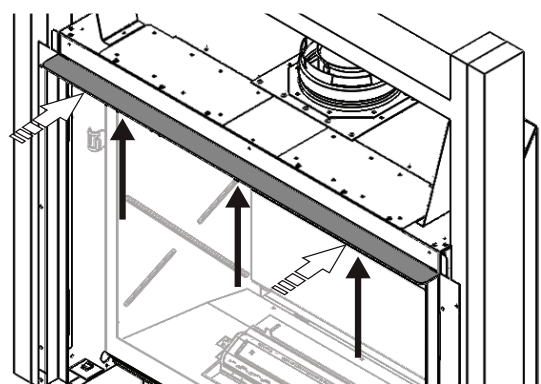
3. Install the lower panel using the three bolts at the base of the appliance (3 nuts).



4. On the appliance, install the side panels as indicated (3 x 1/2" screws per side).



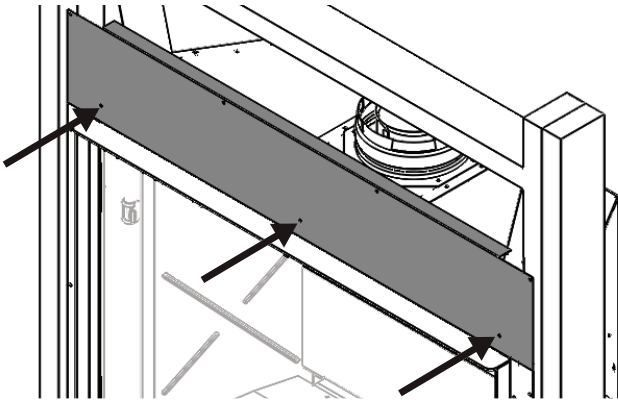
5. Slide the convection baffle under the top edge of the appliance, then secure it as indicated (3 x counter-sunk 3/8" screws).



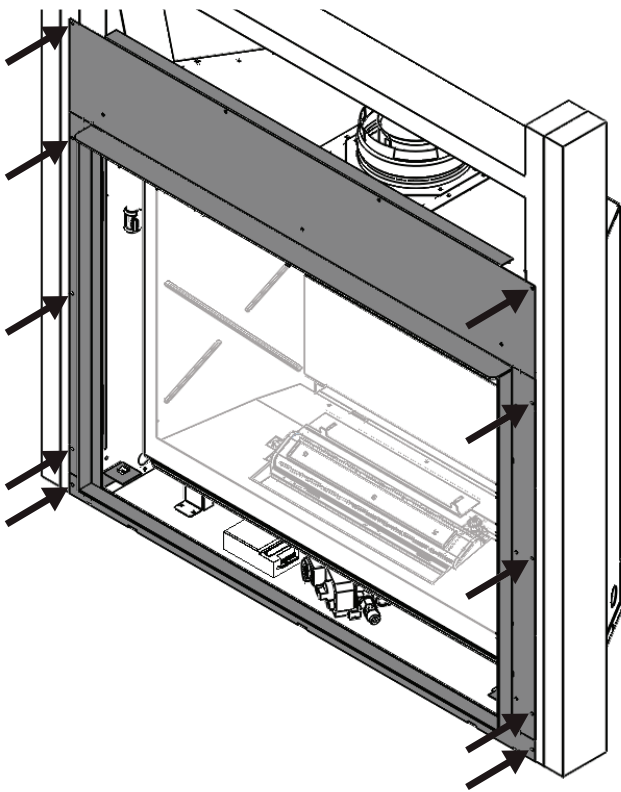
# Installation

## 1030CIK—Clean Installation Kit

6. Install the top panel as indicated (3 x 1/2" screws).



7. Ensure the appliance is snug against the framing and fix it to the studs on each side (5 fixing points per side). Use wood screws (not supplied with this kit).



8. Set aside the side doors, removable panel and barrier screen to install later when the appliance's set-up and wall finish application are completed.
9. Continue the installation of the heater as indicated in the manual supplied with the heater.



# Installation

## Install Appliance for 3 or 4-Sided Trims and Fronts (new construction only)

3-sided trims 1035 and 4-sided trims 1040 are fitted to appliance once its installation and wall finish application have been completed.

Side brackets provided loose with appliance are required for those trims and fronts.

# Yes



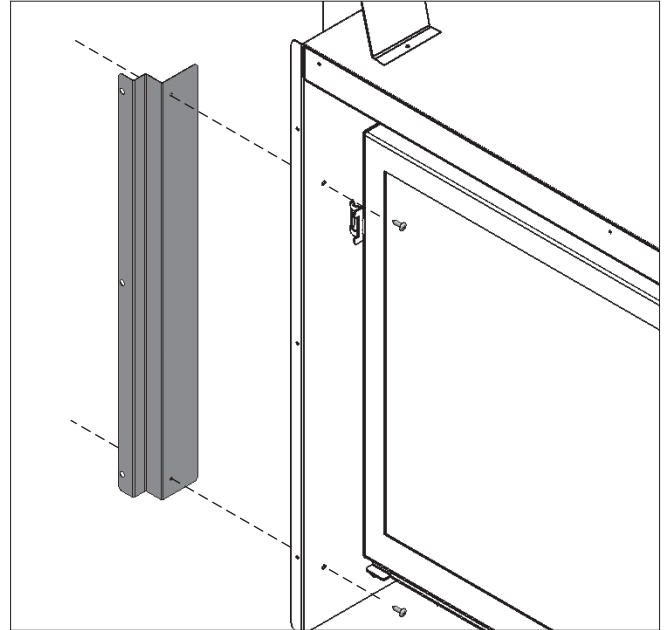
## Hearth considerations

You need to know whether there will be a hearth or not in front of the appliance and some rules must be considered—see pages 11 to 13 for more information.

## 3 or 4-Sided Backing Plates

### Fit Appliance to Framing

1. Install stud brackets on each side of the appliance (2 screws per bracket).



2. Taking great care not to cut your hands on the sheet metal edges, lift the appliance out of its packing base and place it in the framing. **Make sure that the unit is at the right height with consideration to the height of the hearth or combustible flooring.**

# Installation

## Install Electrical Wiring (if necessary) (for optional fan or power adapter kit)

This section provides information to install the electric pre-wiring required for use with the 1095CFK Circulating Fan Kit or GV60PAK Power Adapter Kit.

All wiring must be done by a qualified electrician in accordance with local codes or, in the absence of local codes, with the National Electrical Code, ANSI/NFPA 70 or the Canadian Electrical Code, CSA C22.1.

## Electrical Requirements

1095CFK—120 V, 60 Hz, less than 1 amp

## General Requirements

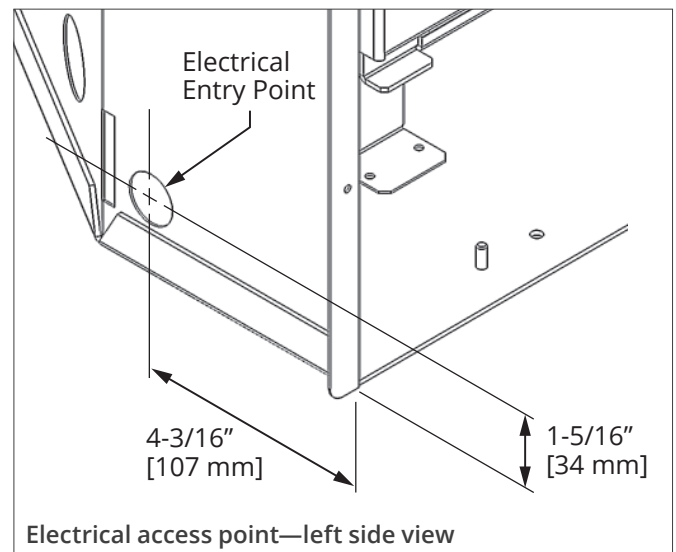
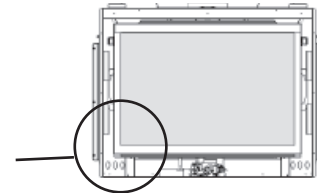
The optional 1095CFK kit includes a three-prong grounded plug to plug into a grounded receptacle, also included with the kit, to be installed within the fireplace enclosure by a qualified electrician.

# Electrical Wiring

## Installation

Thread the power supply cable through the cable clamp (not provided) and through the hole in the lower left hand side of the fireplace casing. Do not tighten the clamp yet.

Electrical wiring through the left hand side of the appliance case



There is a junction box and receptacle included as part of the 1095CFK fan kit. Refer to installation instructions packed with kit. A speed control is also packed with the kit.

If simply roughing in power at this point, ensure wiring is not live or terminate at this location in a temporary metal junction box using wire nuts to cap wires.

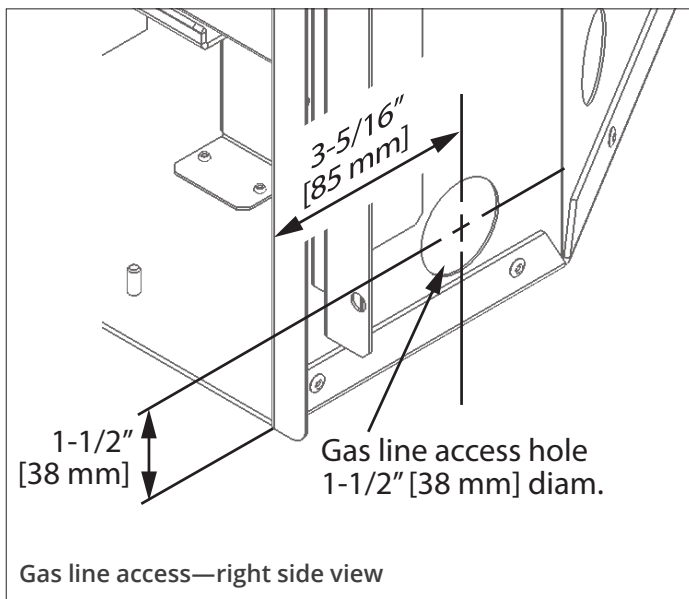
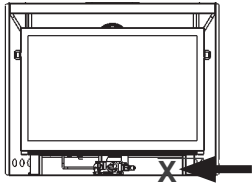


# Installation

## Gas Supply

### Connect Gas Supply

The gas supply inlet connection is a 3/8" NPT male connector located on the right hand side of the firebox.



The unit is supplied with a stainless steel flex line to allow the appliance to be disconnected for service. An individual shut-off valve (not supplied) is required on the supply line ahead of the flex connector.

Use only new black iron or steel pipes, CSST, or copper tubing if acceptable—check local codes. Note that in USA, copper tubing must be internally tinned for protection against sulfur compounds.

Unions in gas lines should be of ground joint type.

The gas supply line must be sized and installed to provide a supply of gas sufficient to meet the maximum demand of the appliance without undue loss of pressure.

Sealant used must be resistant to the action of all gas constituents including LP gas. Sealant should be applied lightly to male threads to ensure excess sealant does not enter gas lines.

### Pressure test the supply line for leaks.

The appliance and its individual shut-off valve must be disconnected from the gas supply piping system during any pressure testing of that system at test pressures in excess of 1/2 psig (3.5 kPa).

The appliance must be isolated from the gas supply piping system by closing its individual manual shut-off valve during any pressure testing of the gas supply piping system at test pressures equal to or less than 1/2 psig (3.5 kPa).

Failure to either disconnect or isolate the appliance during pressure testing may result in regulator or valve damages and void the warranty. Consult your dealer in case of damages.

### Pressure Test Points

The minimum supply pressure is given in the section *Specifications* of this manual—page 5.

All piping and connections must be tested for leaks after installation or servicing. All leaks must be corrected immediately.

When testing for leaks:

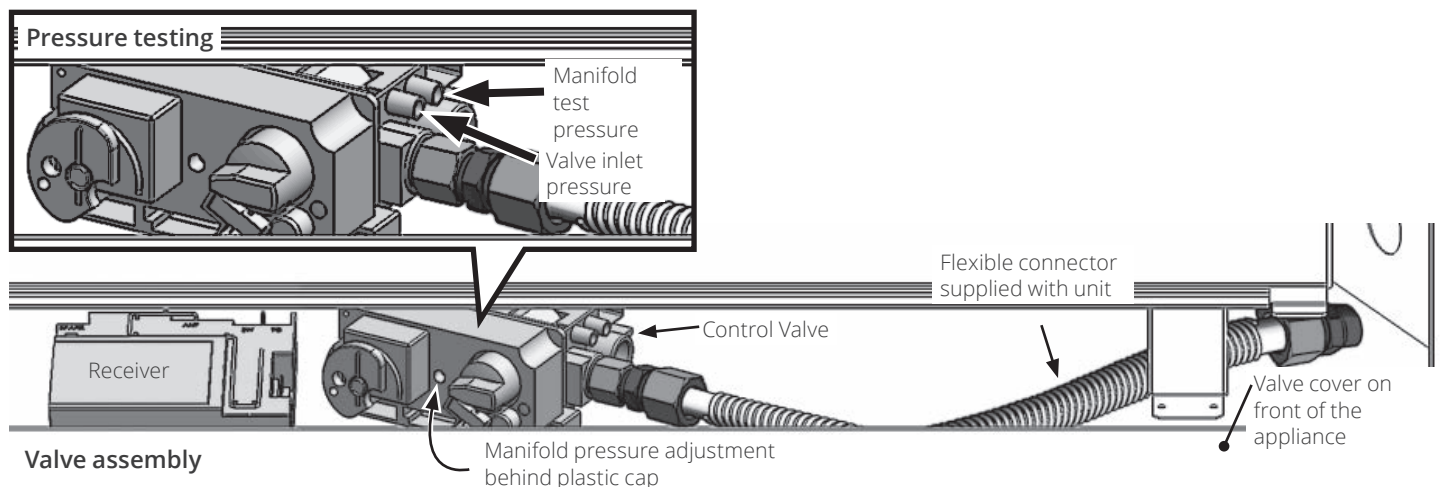
- Make sure that the appliance is turned off.
- Open the manual shut-off valve.
- Test for leaks by applying a liquid detergent or soap solution to all joints. Bubbles forming indicate a gas leak.

### Caution

Never use an open flame to check for leaks!  
Correct any leak detected immediately.

The pressure test tapping locations are shown in the figure below. An internal regulator within the valve controls the burner manifold pressure.

The correct pressure range is shown in the table in section *Specifications* of this manual on page 5. The pressure check should be made with the burner alight and at its highest setting. See *Lighting Instructions* in Appendix A at the end of this manual for full operating details.

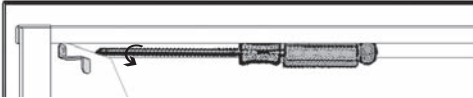


# Installation

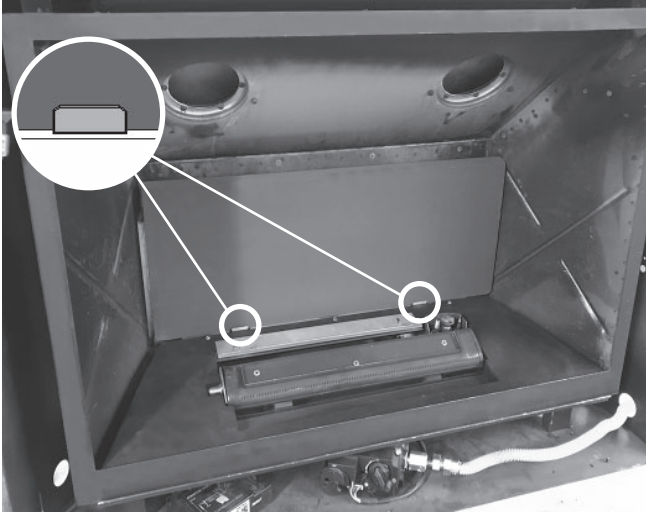
## Install Liners

The following guidelines apply for all liners (with the exception of the 1070RGL Reflective Glass Liners—see the installation manual supplied with that liner kit for details).

1. Inside the firebox, on the top of each side, release the screw of the side panel anchors if necessary so they can rotate freely (one per side).



2. Place the rear panel against the back of the firebox behind the rail retainers at bottom, with the beveled edge facing up and toward you.



3. Insert the bottom of one of the side liner panel between the burner plate and the side wall and rotate it slightly to insert it totally inside the firebox. Push it gently against the side wall. Rotate the side panel anchor down to hold the panel in place.



## Liner Installation



If you have difficulty sliding the side panels in, you may remove the burner plate by removing the three screws at the rear of the firebox and lifting the burner plate out. This is not usually required, except for 1070RGL kits.



**Never force any piece of the liner kit into place.**

4. Insert the bottom of the other side liner panel between the burner and the side wall and rotate it slightly to insert it totally inside the firebox. Push it gently against the side wall. Rotate the side panel anchor down to hold the panel in place.



5. Insert the top panel, beveled edge towards the back of the firebox, on top of one side panel, slide it across to rest on both side panels and rear panel. Sliding the top panel toward the top of the fireplace and away from the rear panel will give you more room to maneuver the panel.



6. Gently tighten side panel anchor screws.

# Installation

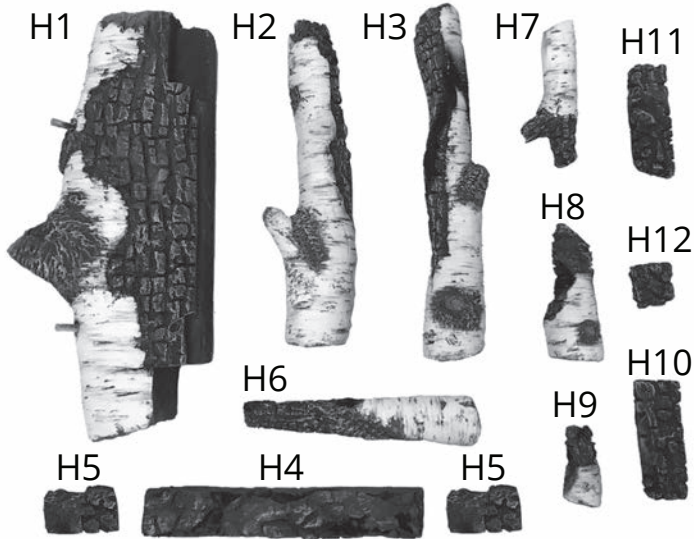
## Fuel Beds

### Install Birch Log Kit 1000BLK

#### Material required

- Birch Log Kit, which contains:
  - 13 logs
  - 1 x 0.180 lb bag of embers
- Gloves, if desired

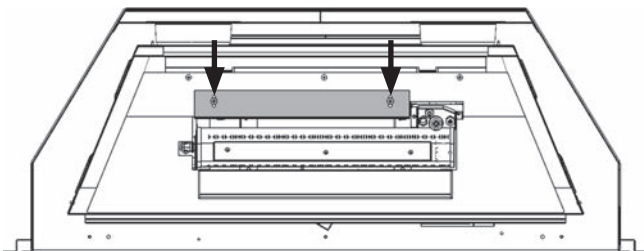
#### Installation



Carefully unpack the kit. Note each log has its own number stamped on the bottom. Some logs have pegs to help you place them on the burner platform, or other logs.

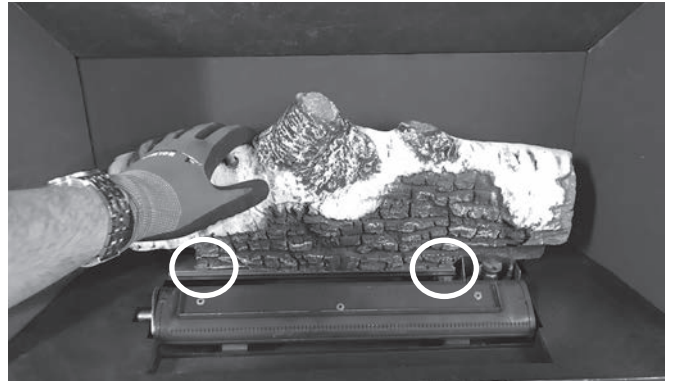
Install the logs as shown below.

1. Loosen (but do not remove) the two screws fastening the support bracket to the burner cover platform.



2. Slide the support bracket toward the rear of the fireplace, as far as it will travel.
3. Tighten screws down again.

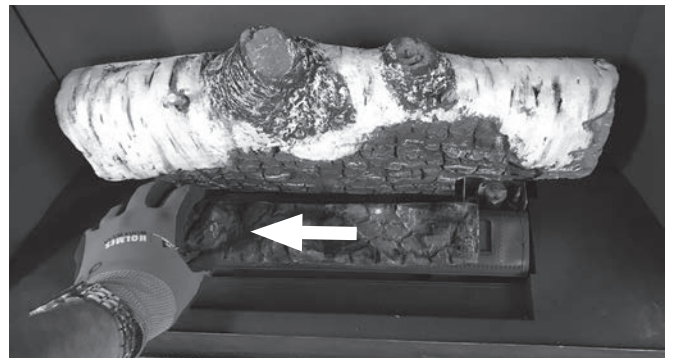
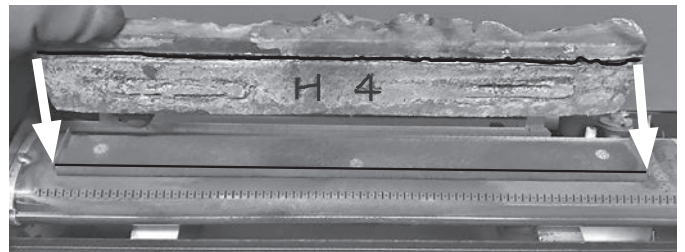
4. Place log H1 onto the support bracket. Note the two tabs that fit into the cutouts on the bottom of H1.



5. Slide H1 as far to the right as it will travel, gently resting the log against the pilot shield.



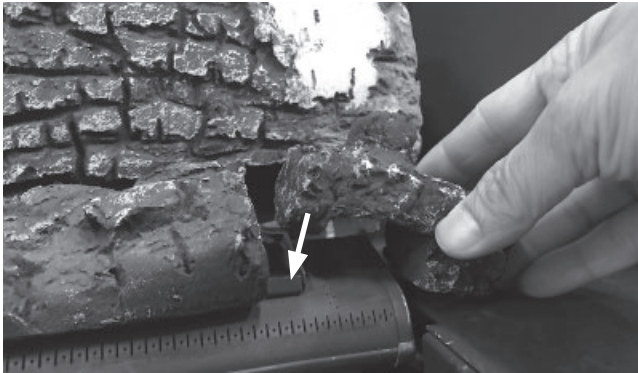
6. Place log H4 directly on the burner its underside groove fitting on the front raised flange of the burner; slide the log all the way to the left.



# Installation

## Fuel Beds

7. Place log H5 at the right end of log H4. You may need to gently press the log down onto the burner.



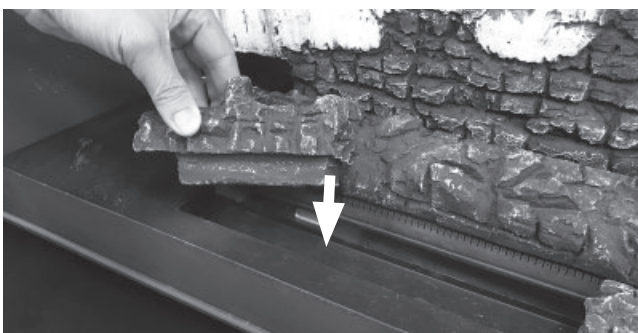
8. Place the second log H5 at the left end of log H4.



9. Place log H11 into the right end of the groove in front of H4. Note the angled feature of H11 should be pointed to the right side.



10. Place log H10 into the left end of the groove.



11. Place some embers into the groove between H11 and H10. Do not overfill - hold some embers back for later steps.



12. Place log H12 on top of the embers.



13. Place log H8 across H4 and H11. Make sure the notch in H8 lines mates behind the raised feature on H11.



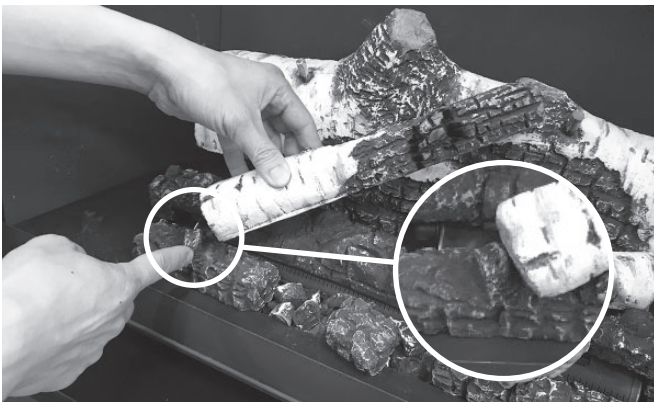
# Installation

## Fuel Beds

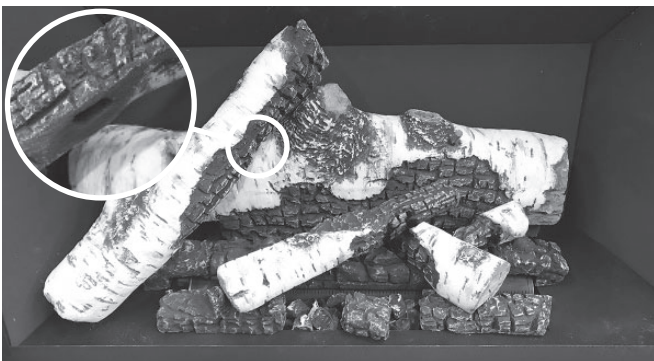
14. Place log H9 behind H8 as shown.



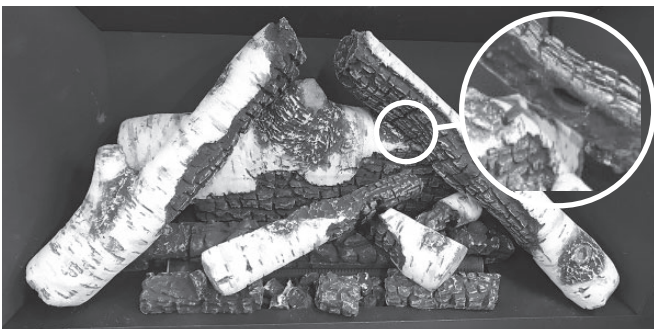
15. Place log H6. Make sure the end of H6 lines mates with the raised feature on H10.



16. Place log H2 as shown. Note the hole in H2 fits onto the pin in H1.



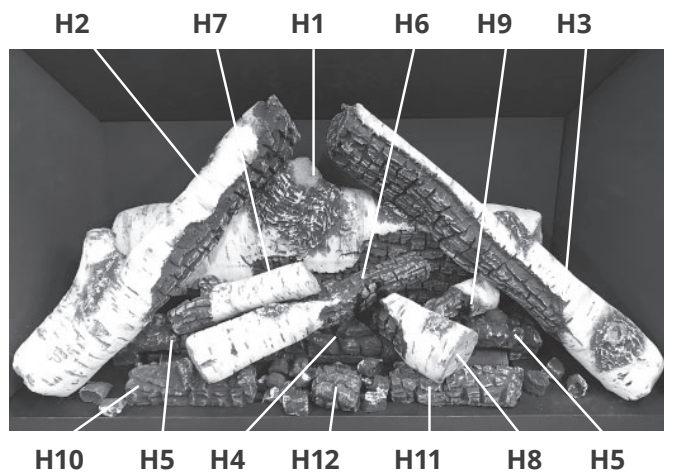
17. Place log H3 as shown. Note the hole in H3 fits onto the pin in H1.



18. Place log H7 on top of H6 as shown.



19. Place remaining embers as desired. You may not need to use all the embers.  
20. The completed arrangement will look like the one shown below.



- Note some minor adjustments may be needed to improve flame picture.



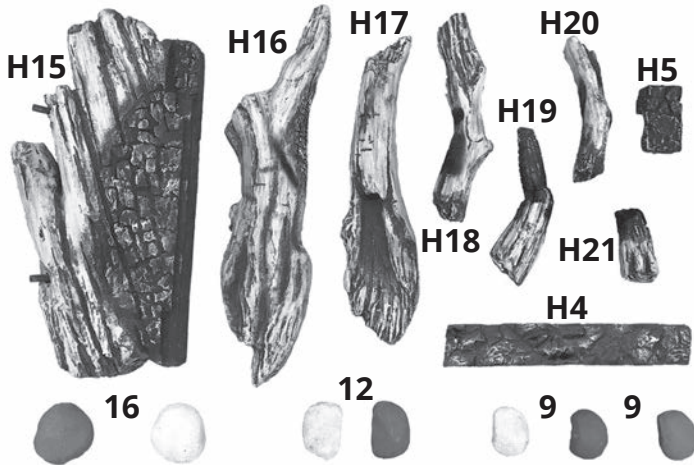
# Installation

## Fuel Beds

### Install Driftwood Kit 1000DWK

#### Material required

- Driftwood Log Kit, which contains:
  - 9 logs
  - 7 pebbles
  - 1 x 0.180 lb bag of embers
- Gloves, if desired



#### Installation

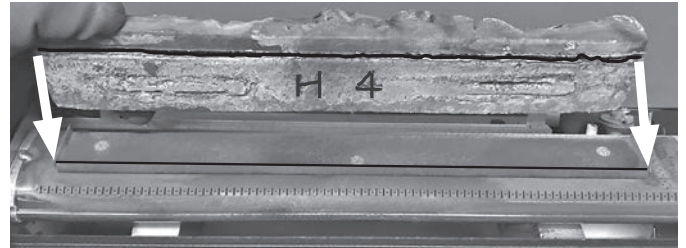
Carefully unpack the kit. Note each log and pebble has its own number stamped on the bottom. Some logs have pins and holes to help you place them on the burner platform, or other logs.

Install the logs as shown below.

1. Place the shale embers into the recess in front of the burner. Be careful not to overfill and block any burner ports. (You may have more embers than you need!)



2. Place log H4 directly on the burner its underside groove fitting on the front raised flange of the burner; slide the log all the way to the left.



3. Place log H5 on the very right hand end of the burner. You may have to gently press the log down onto the ridge of the burner.



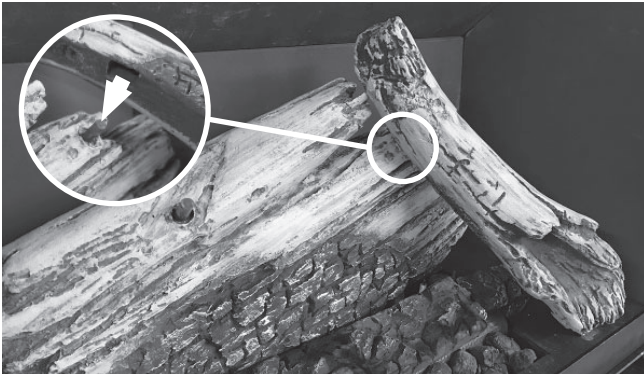
# Installation

## Fuel Beds

4. Place log H15 behind the burner, on the support piece with the tabs at each end. Slide the log to the right until it gently presses against the pilot shield.



5. Place log H17 on the right hand pin on top of H15, and balance the other end on the burner support plate.



6. Place log H16 on the left hand pin on top of H15, and balance the other end on the burner support plate.



7. Place H21 on top of H4, under H17.



8. Place log H19 on the burner support plate, and into the slight depression in H4.



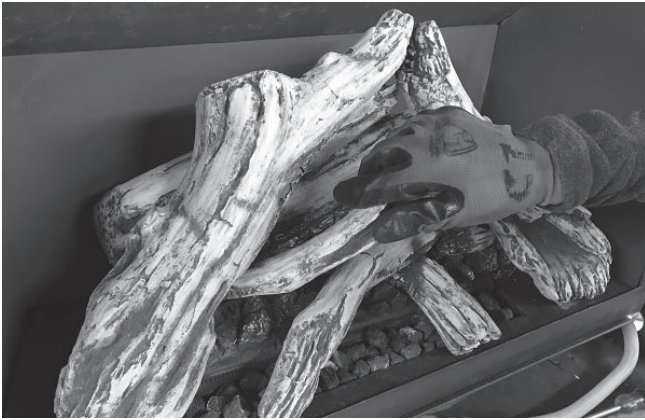
9. Place H18 on the burner support plate, and into the slight depression in H4 and H19.



# Installation

## Fuel Beds

10. Place H20 on top of H4, under H16.

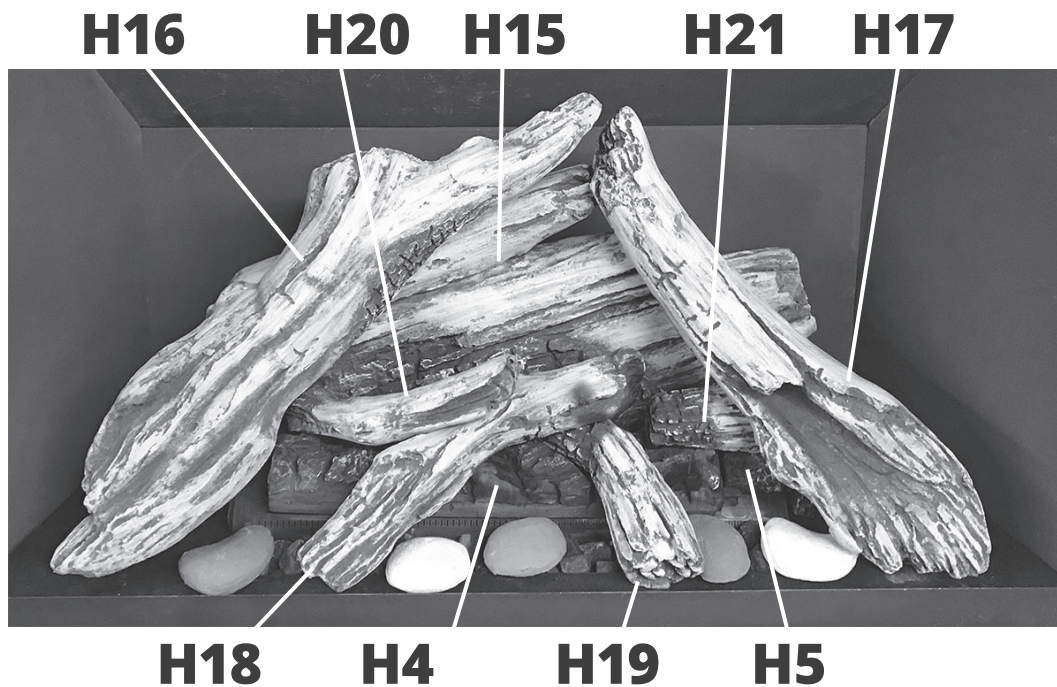


11. Place the pebbles anywhere you like within the arrangement.



12. The completed arrangement will look like the one below.

- Note some minor adjustments may be needed to improve flame picture.



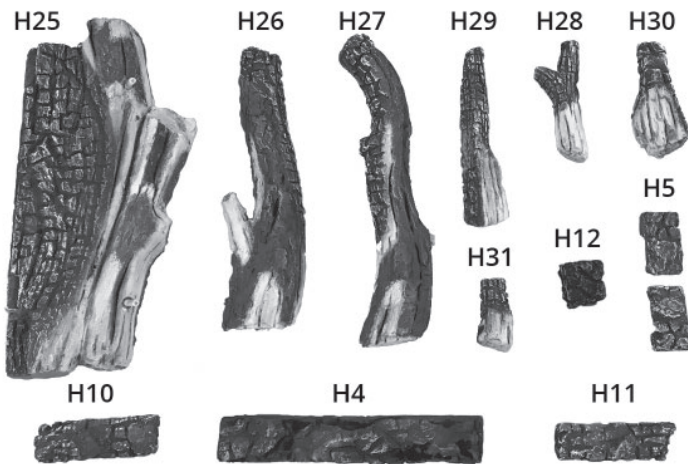
# Installation

## Fuel Beds

### Install Traditional Log Kit 1000LSK

#### Material required

- Traditional Log Kit, which contains:
  - 13 logs
  - 1 x 0.180 lb bag of embers (not pictured)
- Gloves, if desired

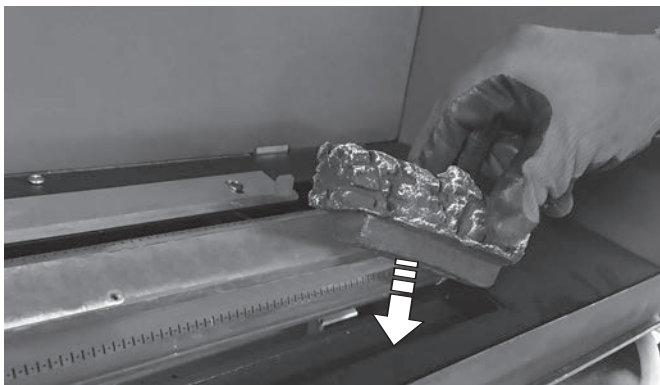


#### Installation

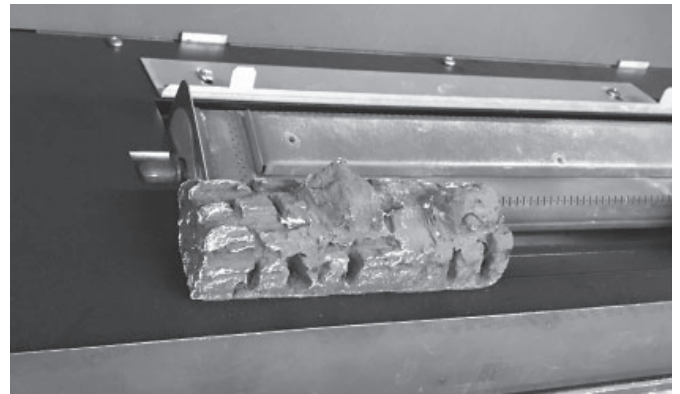
Carefully unpack the kit. Note each log has its own number stamped on the bottom. Some logs have pegs to help you place them on the burner platform, or other logs.

Install the logs as shown below.

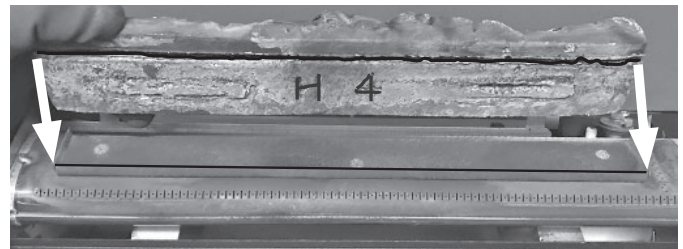
1. Place log H11 into the right hand side of the cavity in front of the burner.



2. Place log H10 into the left hand side of the cavity in front of the burner.



3. Place log H4 directly on the burner, behind H10 and H11. Its underside groove fits on the front raised flange on top of the burner; slide the log all the way to the left.



4. Place both H5 logs on either side of the H4 log at the ends of the burner. You may need to gently press the logs into the ends stops of the burner.



# Installation

## Fuel Beds

5. Place embers into the cavity between H10 and H11. You may not need to use all the embers supplied. Be careful not to block any burner ports (some coverage is fine, do not fully cover all ports).



6. Place log H12 on top of the embers, between H10 and H11.



7. Place log H25 on the support plate behind the burner. Note there is a tab at each end that fits into a cutout at each end of the log.



8. Place log H30 on top of H11 and H4.



9. Place log H31 just behind H30.



10. Place log H27 on top of H25. There is a pin in H25 that will fit into the hole in H27 to hold it in place.



# Installation

## Fuel Beds

11. Place log H26 on top of H25. There is a pin in H25 that will fit into the hole in H26 to hold it in place.



13. Place log H28 behind H26, and top of H29.

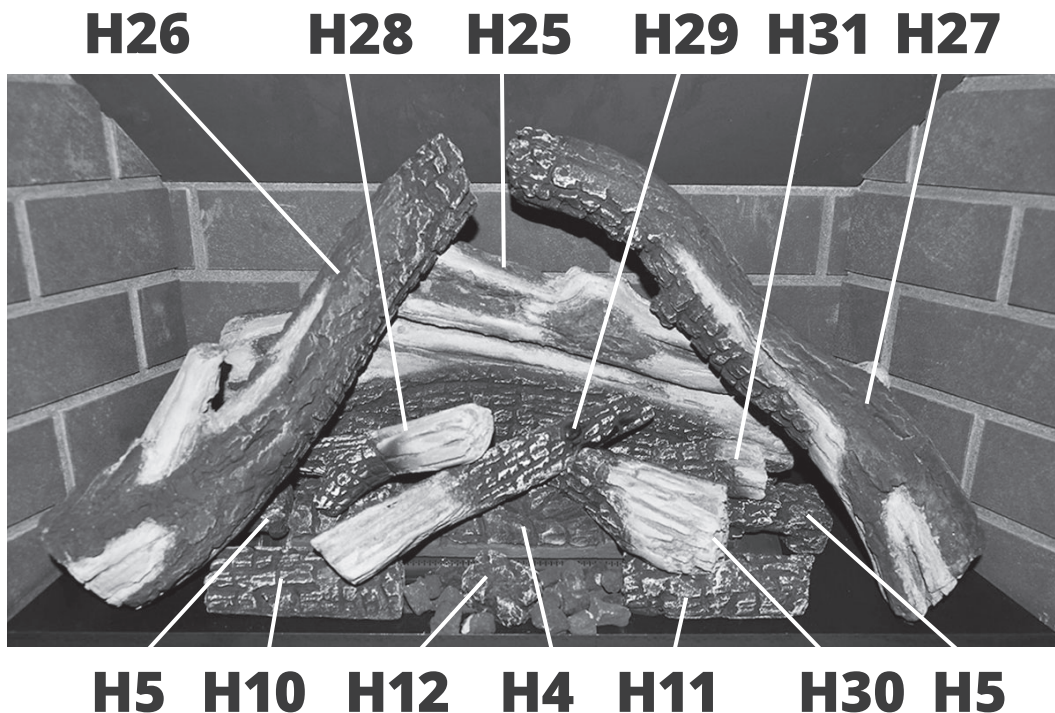


12. Place log H29 into the groove on top of H4 and H30.



14. The completed arrangement will look like the one below.

- Note some minor adjustments may be needed to improve flame picture.

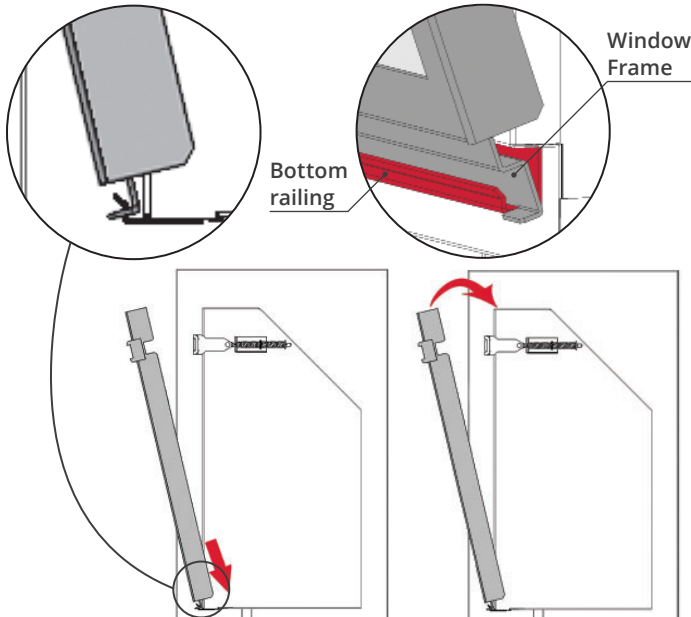


# Installation

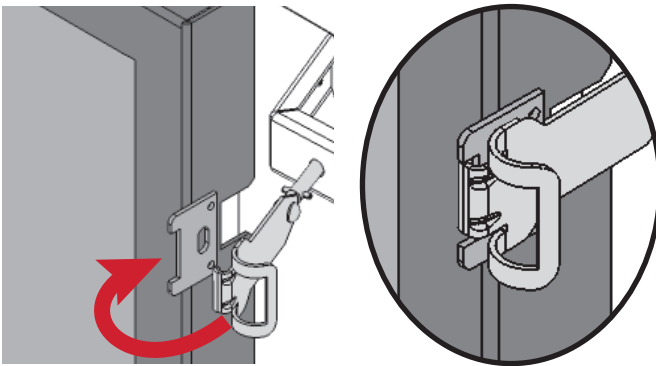
## Window Re-Installation

### Refit & Check Window

1. Place window in its bottom railing. Make sure to remove any fuel bed particles in the railing before installing the window.
2. Push top of window frame against firebox.



3. While you hold it, pull and hook side levers to window brackets on each side.



4. Apply firm hand pressure around window frame to make sure window is sealed tight against firebox.
5. If the Hot Glass Warning plate has been removed from the front lower corner of the window, re-install it by sliding it between the glass and the frame as indicated.

**! WARNING**

The window unit must be correctly installed, fastened and sealed after servicing or serious bodily injury and/or damage to the appliance may result.

To ensure a safe operation:

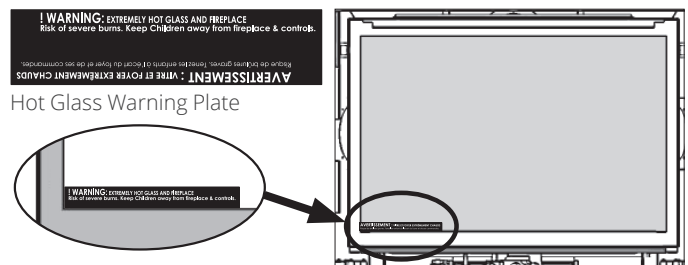
- Double-check that the bottom of the window frame is correctly installed in the bottom support railing;
- Verify that the levers are hooked properly to the window tabs then;
- Pull out the top of the window and release it to insure the springs return it;
- Ensure the window is sealed before operation.

**! WARNING**

Failure to install the window correctly can:

- leak carbon monoxide.
- affect the performance of the fireplace.
- damage components.
- cause overheating resulting in dangerous conditions.

Damage caused by incorrect window installation is not covered by the Valor Warranty.



# Installation

## Wall Switch Kit

### Install Wall Switch Kit (required)

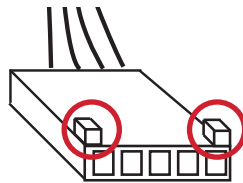
The wall switch kit is provided with this appliance. It is connected to the receiver in the fireplace. The receiver is located left of the control valve under the firebox.

Decide where the switch is to be installed. Install an electrical outlet box or mud ring as required (not supplied).

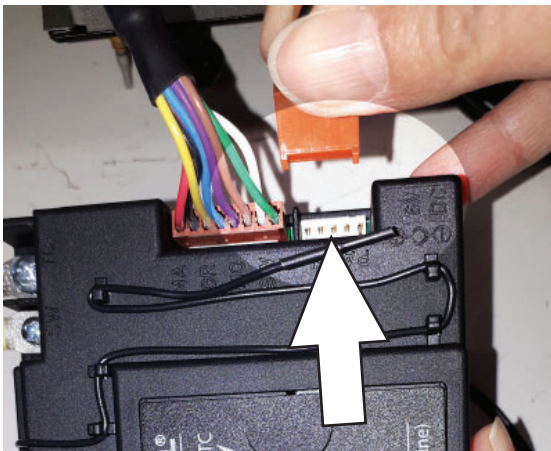
1. Thread the switch wire through an access hole in the appliance. **DO NOT** run the wire over top of the appliance.
2. Pull out the receiver. You can remove the ignition wire to improve access.

3. Take the switch wire and plug it into the receiver's connection slot as indicated (the other slot should already be fitted with the valve's wire harness connector). See diagrams below. **IMPORTANT: The connection can only be done one way. Do not force it or damage the pins!**

**IMPORTANT: The connection can only be done one way.**

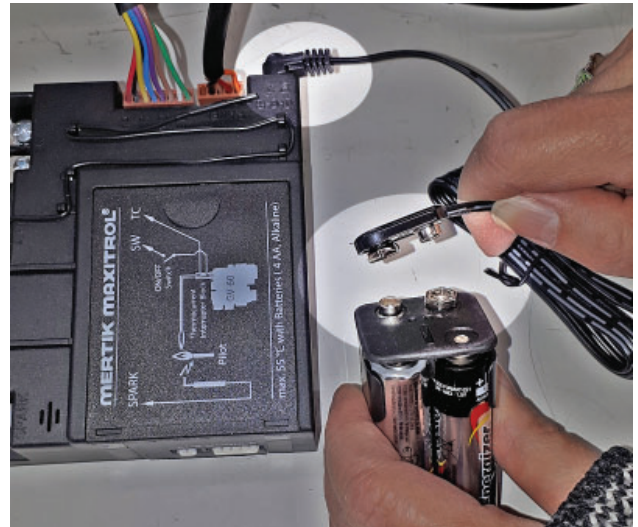


Do not force it or damage the pins on the receiver box!



4. On the outside of the fireplace, run the switch wire into the outlet box. Use insulated type staples to secure the wiring to framing.
5. Plug the wire into the switch plate and to the outlet box.
6. Reconnect the ignition wire to the receiver if it was previously removed. **IMPORTANT: Make sure the ignition wire DOES NOT TOUCH the receiver's antenna.**

7. Insert 4 AA alkaline batteries in the battery holder.
8. Connect the battery holder wire to the receiver.
9. Connect the wire to the battery holder.



10. Test the operation of the wall switch—see Appendix C.
11. Fix the wall cover plate to the outlet box.
12. Replace the receiver in its position and as well as the antenna if deployed. **IMPORTANT: The antenna MUST NOT TOUCH the ignition wire.**
13. Place the battery holder near the receiver. Keep the wires tidy to prevent them from touching the underside of the burner.

### Caution

**DO NOT PUT BATTERIES IN THE BATTERY HOLDER until the wires are connected to the burner control unit as short-circuit could result in the destruction of the electrical components.**

**DO NOT USE** a screwdriver or other metallic object to remove the batteries from the battery holder or the handset! This could cause a short circuit to the receiver.

**Do not run the switch wire over the top of the firebox. Route the wire so it does not contact the firebox.**

**To avoid short-circuit to the receiver, position the antenna so that it DOES NOT TOUCH the ignition wire.**



# Installation

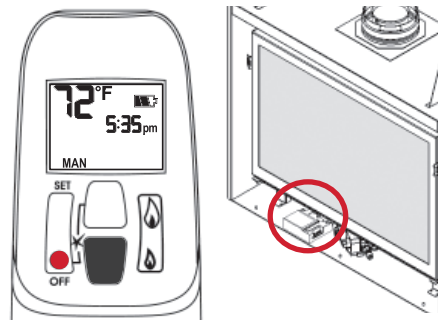
## Synchronize Remote Control

The receiver and the handset of the remote control system must be initially synchronized before first use.

1. Insert one 9 V alkaline battery in the handset.
2. Locate the Reset button on the top side of the receiver.
3. With a narrow object, press and hold the receiver's reset button until you hear one short and one long beeps. Release the reset button after the second beep.
4. Within the subsequent 20 seconds, press the (small flame button (🔥)) on the remote handset until you hear two short beeps confirming the synchronization is set.

This is a one time setting only and is not required when changing the batteries in the remote battery holder. The remote control system is now ready to use.

## Remote Control Set-Up



# Installation

## Burner Aeration

### Check Operation

Turn the fireplace flame up and down using the remote control to confirm that the full range of inputs is achieved—see the remote control operation instructions in Appendix B of this manual.

### Adjust Aeration (if needed)

Light the fire and allow the unit to warm up for 10–15 minutes to evaluate the flame picture. The burner is equipped with an adjustable shutter to control primary aeration. The shutter is factory-set to an aeration gap which will give optimum performance for the vast majority of installations.

Depending on the fuel bed used, altitude and other considerations, the flame picture may be improved by adjusting the aeration. The need for adjustment should be determined only by operating the appliance with the fuel bed, panels and window installed and evaluating the flame picture after a 15-minute warm-up.

**Increasing aeration** will cause the flames to appear more transparent and blue showing more ceramic effects glow.

**Decreasing aeration** will cause the flames to appear more yellow or orange showing less ceramic effects glow.

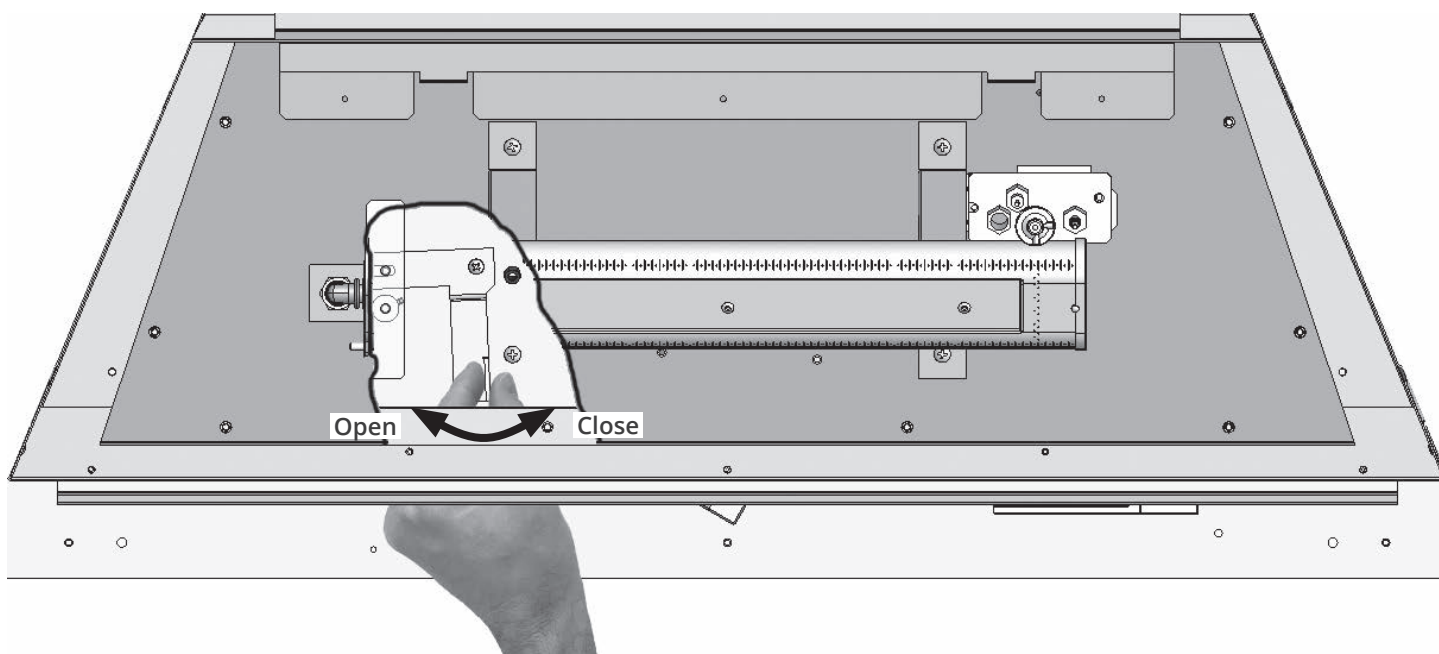
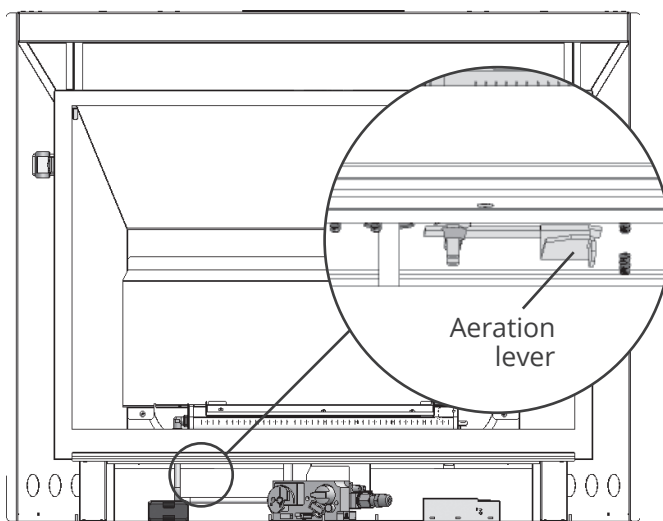
**Too little aeration** may result in black carbon forming on logs or roof panel and dropping into the firebox.

### Air Shutter

The air shutter adjustment lever is located under the firebox. If the trim or front is already installed, remove the barrier screen and the removable panel at the bottom of the fireplace.

To adjust the air shutter:

1. Locate the aeration lever under the firebox.
2. Move the lever left or right to the desired position.



# Installation

## Install Remote Control Handset Wall Holder

The remote control kit for this fireplace comes complete with a wall-mounted holder. This holder is not required in all installations but is provided as an optional feature for those customers who wish to mount the remote handset to the wall.

To install the holder to the wall, find a convenient location and use the hardware provided with the kit. See the diagram below for required hardware and configurations. Note that the holder can be installed at the base of a light switch plate.

**IMPORTANT.** The location of the remote control handset is important to assure proper temperature regulation. To obtain a constant temperature, we recommend that the handset should be between 3 and 15 feet away from the appliance but not directly above it. We also advise that the handset should be located away from any other heat source and not in direct sunlight as this may affect the temperature sensor located in the remote handset.

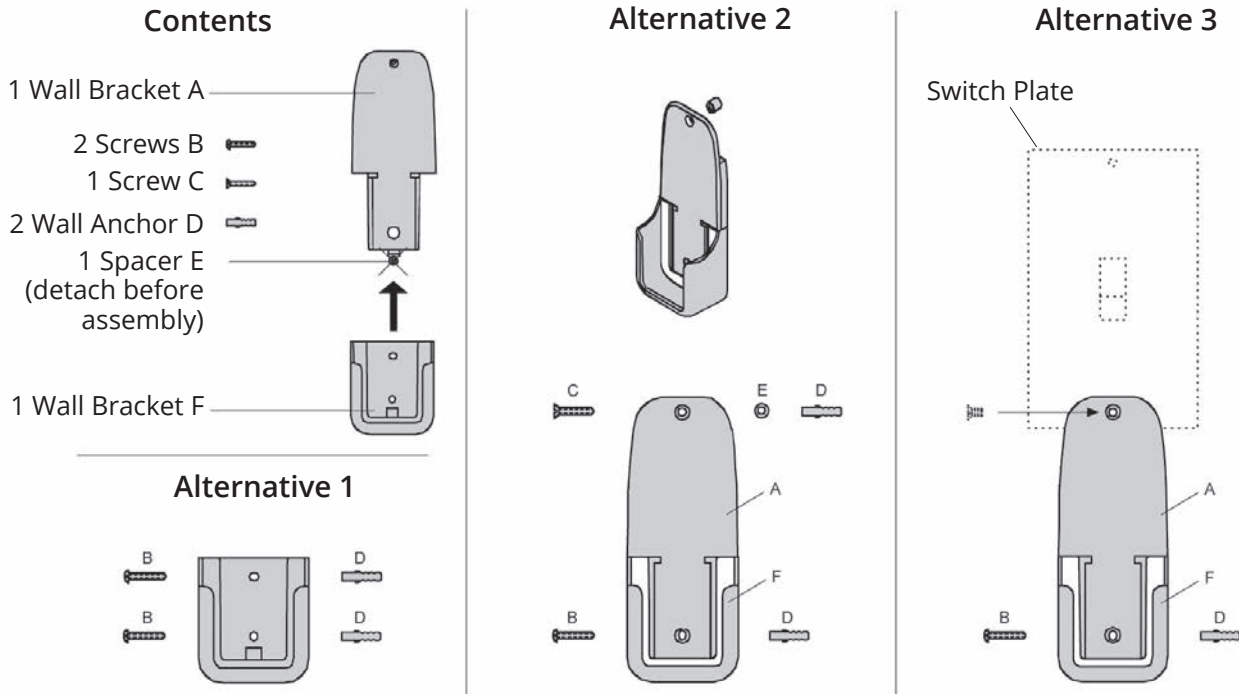
# Accessories Installation

## Install Trim and Barrier Screen

Install the trim chosen by the customer for their fireplace. Install as well the barrier screen which is provided with the trim.

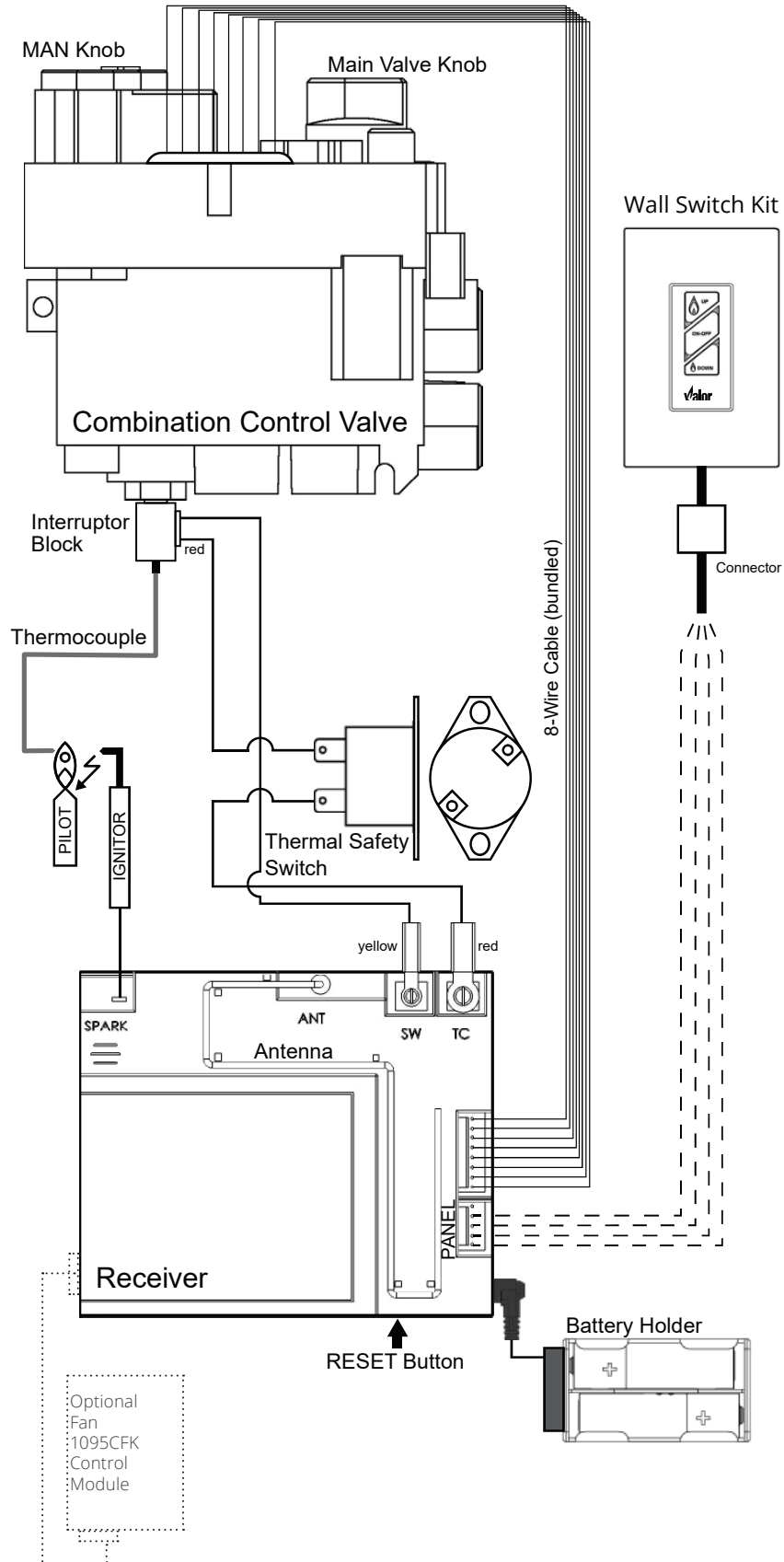
Show the customer how to remove the barrier screen to access the controls.

Follow the instructions provided with the trim and leave those instructions behind for the customer's further reference.




# Wiring Diagram

GV60 Wiring Diagram



# Approved Venting Components

Approved Direct Vent Suppliers for Valor Model 1000										
 Venting Parts Description		Venting Parts Code / availability by Manufacturer								
		DURA-VENT	SELKIRK	ICC EXCEL DIRECT	SECURE VENT	RLH INDUSTRIES	AMERIVENT	MILES INDUSTRIES	BDM	
Termination Caps	Horizontal	Standard Co-axial	46DVA-HC	4DT-HC	TM-4HT	—	—	4DHC round	658DVK2	940160
		Deluxe Co-axial	—	—	TM-4RHT	—	—	4DHCS square	—	940160
		High Wind Co-axial	—	—	—	SV4CHC	—	—	—	—
		Co-linear	—	—	—	—	—	—	720SWK	—
	Vertical	Standard Co-axial	46DVA-VC	4DT-VT	—	—	HSDV4658-1313 <sub>4</sub>	4DVC	—	940264
			—	—	—	—	4DH-1313	—		940364
			—	—	—	—	—	—		940206LP
		High Wind Co-axial	46DVA-VCH	—	TM-4SVT	SV4CGV	—	—	—	—
		Extended Co-axial	46DVA-VCE	—	—	—	—	—	—	—
		Co-linear	46DVA-CL33	—	TM-1VT	3PDVCV	HS-C33U-99 <sup>4</sup>	HCL-99-33	559CLT	940033B
46DVA-CL33H	940034B									
46DVA-CL34	HCL-913-33		940033HWS							
46DVA-CL33P	HCL-1313-33		940033RD							
46DVA-CL34P		—	—							
Snorkel, 14" Rise	46DVA-SNK14	4DT-ST14	TM-4ST14	—	—	4D14S	—	94040614		
Snorkel, 36" Rise	46DVA-SNK36	4DT-ST36	TM-4ST36	—	—	4D36S	—	94040636		
Vent Adapters	Co-axial-to-Co-linear Adapter	46DVA-GCL 46DVA-CLAA	4DT-AAC	TM-4CAA	—	—	4DCAB33	1000CLA	940106433	
	Co-linear-to-co-axial Adapter	46DVA-GK 46DVA-CLTA	4DT-CTB	TM-4CTA	—	—	4DCAT33	—	—	
	Co-axial-to-flex-co-axial Adapter	—	—	—	—	—	—	1000CAA	—	
	DV to B-Vent Adapter	—	—	—	—	—	—	DVA5BV	—	
Adjustable Pipe Length and Pipe Extensions	Galvanized or Black	46DVA-08A 46DVA-08AB (3" to 7")	4DT-ADJ 4DT-ADJ(B)	—	—	—	4D7A or 4D7AB (3" to 5")	—	94610608 (4" to 8-1/2")	
		46DVA-16A 46DVA-16AB (3" to 14-1/2")	4DT-TL14 4DT-TL14B (14 to 22")	TC-4DLS1 TC-4DLS1B	SV4LA SV4LBA	—	4D12A or 4D12AB (3" to 10")	—	94610616 (4" to 16")	
	Galvanized or Black	46DVA-17TA 46DVA-17TAB (11" to 17")	4DT-TL38 4DT-TL38B (38 to 70")	TC-4DLS2 TC-4DLS2B (1-7/8" - 21")	SV4LA12 SV4LBA12	—	4D16A or 4D16AB (3" to 14")	—	—	
	Galvanized or Black	46DVA-24TA 46DVA-24TAB (17" to 24")	4DT-AJ12 4DT-AJ12B (4 to 10")	TC-4DLA30 TC-DLA30B (16.5" - 29")	SV4LA24 SV4LBA24	—	4D26A or 4D26AB (3" to 24")	—	—	
	Co-axial Flex	46DVA-48FF 46DVA-120FF	—	—	—	—	—	590FVK2	—	
DV 45° Elbows	Galvanized	46DVA-E45	—	TE-4DE45	—	—	4D45L	—	94620645	
	Black	46DVA-E45B	—	TE-4DE45B	SV4EBR45	—	4D45LB	—	94620645B	
	Galvanized Swivel	—	4DT-EL45	—	SV4E45	—	—	—	—	
	Black Swivel	—	4DT-EL45(B)	—	SV4EB45	—	—	—	—	
DV 90° Elbows	Galvanized	46DVA-E90	—	TE-4DE90	—	—	4D90L	—	—	
	Black	46DAV-E90B	—	TE-4DE90B	SV4EBR90	—	4D90LB	—	—	
	Galvanized Swivel	—	4DT-EL90	—	SV4E90	—	—	—	94620690	
	Black Swivel	—	4DT-EL90(B)	—	SV4EB90	—	—	—	94620690B	

# Approved Venting Components

Venting Parts Description			Venting Parts Code / availability by Manufacturer							
			DURA-VENT	SELKIRK	ICC EXCEL DIRECT	SECURE VENT	RLH INDUSTRIES	AMERIVENT	MILES INDUSTRIES	BDM
Pipes 4" x 6 5/8" (ID x OD)	6" long	Galvanized	46DVA-06	4DT-06	TC-4DL6	SV4L6	—	—	—	94610606
		Black	46DVA-06B	4DT-06(B)	TC-4DL6B	SV4LB6	—	—	—	90410606B
	7" long	Galvanized	—	—	—	—	—	4D7	—	—
		Black	—	—	—	—	—	4D7B	—	—
	9" long	Galvanized	46DVA-09	4DT-09	TC-4DL9	—	—	—	—	94610609
		Black	46DVA-09B	4DT-09(B)	TC-4DL9B	—	—	—	—	94610609B
	12" long	Galvanized	46DVA-12	4DT-12	TC-4DL1	SV4L12	—	4D12	—	94610612
		Black	46DVA-12B	4DT-12(B)	TC-4DL1B	SV4LB12	—	4D12B	—	94610612B
	18" long	Galvanized	46DVA-18	4DT-18	—	—	—	—	—	94610618
		Black	46DVA-18B	4DT-18(B)	—	—	—	—	—	94610618B
	24" long	Galvanized	46DVA-24	4DT-24	TC-4DL2	SV4L24	—	4D2	—	94610624
		Black	46DVA-24B	4DT-24(B)	TC-4DL2B	SV4LB24	—	4D2B	—	94610624B
	36" long	Galvanized	46DVA-36	4DT-36	TC-4DL3	SV4L36	—	4D3	—	94610636
		Black	46DVA-36B	4DT-36(B)	TC-4DL3B	SV4LB36	—	4D3B	—	94610636B
	48" long	Galvanized	46DVA-48	4DT-48	TC-4DL4	SV4L48	—	4D4	—	94610648
		Black	46DVA-48B	4DT-48(B)	TC-4DL4B	SV4LB48	—	4D4B	—	94610648B
Flashings	Roof Flashing 0/12-6/12		46DVA-F6	4DT-AF6	TF-4FA	SV4FA	—	4DF (0/12-5/12)	—	949606012
	Roof Flashing 7/12-12/12		46DVA-F12	4DT-AF12	TF-4FB	SV4B	—	4DF12 (6/12-12/12)	—	949606712
	Flat Roof Flashing		46DVA-FF	—	TF-4F	SV4F	—	—	—	949606001
	Masonry Flashing		—	—	TF-4MF	—	—	—	559FSK	—
	New Siding Flashing		—	—	—	—	—	—	658NSFK	—
Various Venting System Parts	Wall Thimble		46DVA-WT	4DT-WT	TM-4WT	SV4RSM	—	4DWT	—	949064U
	Storm Collar		46DVA-SC	4DT-SC	TM-SC	SV4AC	—	4DSC	—	94960608
	Decorative Plate		46DVA-DC	4DT-CS	TM-4TR TM-4TP	SV4PF	—	4DFPB	—	94940612
	Cathedral Ceiling Support		46DVA-CS	4DT-CCS	TM-4SS	—	—	4DRSB	—	949506KT
	Ceiling Firestop / Floor Support		46DVA-FS	4DT-FS	TM-4RDS TM-CS	SV4BF SV4SD	—	4DFSP	—	94980612
	Attic Radiation Shield / Firestop		—	4DT-A1S	TM-4AS	—	—	4DAIS12 (12") 4DAIS36 (36")	—	94930620A
	Wall Strap		46DVA-WS	4DTWS	TM-WS	—	—	4DWS	—	949164
	Vinyl Siding Standoff		46DVA-VSS	4DT-VS	TM-VSS	SV4VS	—	4DHVS	—	94800615S
	Elbow Strap / Offset Support		46DVA-ES	4DT-OS	TM-OS	—	—	—	—	949264
	Terminal Guard		46DVA-WG	—	TM-HTS TM-RHTS	—	—	—	845TG 658TG	940164SHRD

- Notes:**
1. Follow instructions supplied with each manufacturer's components.
  2. Unless otherwise specified, all the parts and assemblies from the above table are to be used with 4" x 6-5/8" pipes.
  3. Do not mix components from different vent manufacturers.
  4. Termination caps manufactured by RLH Industries or American Metal Products are from Homestyle Chimney Collection and can be ordered in one of the following finishes: a) aluminium; b) black powder coated; c) solid copper.

# Commonwealth of Massachusetts

## State of Massachusetts Carbon Monoxide Detector/Vent Terminal Signage Requirements

For all side wall horizontally vented gas fueled equipment installed in every dwelling, building or structure used in whole or in part for residential purposes, including those owned or operated by the Commonwealth and where the side wall exhaust vent termination is less than seven (7) feet above finished grade in the area of the venting, including but not limited to decks and porches, the following requirements shall be satisfied:

### 1. INSTALLATION OF CARBON MONOXIDE DETECTORS.

At the time of installation of the side wall horizontal vented gas fueled equipment, the installing plumber or gas fitter shall observe that a hard wired carbon monoxide detector with an alarm and battery back-up is installed on the floor level where the gas equipment is to be installed. In addition, the installing plumber or gas fitter shall observe that a battery operated or hard wired carbon monoxide detector with an alarm is installed on each additional level of the dwelling, building or structure served by the side wall horizontal vented gas fueled equipment. It shall be the responsibility of the property owner to secure the services of qualified licensed professionals for the installation of hard wired carbon monoxide detectors.

a. In the event that the side wall horizontally vented gas fueled equipment is installed in a crawl space or an attic, the hard wired carbon monoxide detector with alarm and battery back-up may be installed on the next adjacent floor level.

b. In the event that the requirements of this subdivision can not be met at the time of completion of installation, the owner shall have a period of thirty (30) days to comply with the above requirements; provided, however, that during said thirty (30) day period, a battery operated carbon monoxide detector with an alarm shall be installed.

2. APPROVED CARBON MONOXIDE DETECTORS. Each carbon monoxide detector as required in accordance with the above provisions shall comply with NFPA 720 and be ANSI/UL 2034 listed and IAS certified.

3. SIGNAGE. A metal or plastic identification plate shall be permanently mounted to the exterior of the building at a minimum height of eight (8) feet above grade directly in line with the exhaust vent terminal for the horizontally vented gas fueled heating appliance or equipment. The sign shall read, in print size no less than one-half (1/2) inch in size, "GAS VENT DIRECTLY BELOW. KEEP CLEAR OF ALL OBSTRUCTIONS".

4. INSPECTION. The state or local gas inspector of the side wall horizontally vented gas fueled equipment shall not approve the installation unless, upon inspection, the inspector observes carbon monoxide detectors and signage installed in accordance with the provisions of 248 CMR 5.08(2)(a)1 through 4.

(b) EXEMPTIONS: The following equipment is exempt from 248 CMR 5.08(2)(a)1 through 4:

1. The equipment listed in Chapter 10 entitled "Equipment Not Required To Be Vented" in the most current edition of NFPA 54 as adopted by the Board; and

2. Product Approved side wall horizontally vented gas fueled equipment installed in a room or structure separate from the dwelling, building or structure used in whole or in part for residential purposes.

# Commonwealth of Massachusetts

(c) MANUFACTURER REQUIREMENTS - GAS EQUIPMENT VENTING SYSTEM PROVIDED. When the manufacturer of Product Approved side wall horizontally vented gas equipment provides a venting system design or venting system components with the equipment, the instructions provided by the manufacturer for installation of the equipment and the venting system shall include:

1. Detailed instructions for the installation of the venting system design or the venting system components; and
2. A complete parts list for the venting system design or venting system.

(d) MANUFACTURER REQUIREMENTS - GAS EQUIPMENT VENTING SYSTEM NOT PROVIDED. When the manufacturer of a Product Approved side wall horizontally vented gas fueled equipment does not provide the parts for venting the flue gases, but identifies “special venting systems”, the following requirements shall be satisfied by the manufacturer:

1. The referenced “special venting system” instructions shall be included with the appliance or equipment installation instructions; and
2. The “special venting systems” shall be Product Approved by the Board, and the instructions for that system shall include a parts list and detailed installation instructions.

(e) A copy of all installation instructions for all Product Approved side wall horizontally vented gas fueled equipment, all venting instructions, all parts lists for venting instructions, and/or all venting design instructions shall remain with the appliance or equipment at the completion of the installation.



# Appendix A - Lighting Instructions Plate

## FOR YOUR SAFETY, READ BEFORE LIGHTING

**WARNING: If you do not follow these instructions exactly, a fire or explosion may result causing property damage, personal injury or loss of life.**

- A. This appliance has a pilot which must be lighted by hand, remote control, or wall switch. Follow these instructions exactly. To save gas, turn the pilot off when not using the appliance for a prolonged period of time.
- B. **BEFORE LIGHTING**, smell all around the appliance area for gas. Be sure to smell next to the floor because some gases are heavier than air and will settle on the floor.

### WHAT TO DO IF YOU SMELL GAS

- Do not try to light any appliance.
  - Do not touch any electric switch; do not use any phone in your building.
  - Immediately call your gas supplier from a neighbor's phone. Follow the gas supplier's instructions.
  - If you cannot reach your gas supplier, call the fire department.
- C. Use only your hand to push in or turn the control knobs. Never use tools. If the knobs will not push in or turn by hand, don't try to repair them; call a qualified service technician. Force or attempted repair may result in a fire or explosion.
- D. Do not use this appliance if any part has been under water. Immediately call a qualified service technician to inspect the appliance and to replace any part of the control system and any gas control, which has been under water.

## LIGHTING INSTRUCTIONS

1. **STOP!** Read the safety information above.
2. **TO CLEAR ANY GAS, turn main valve off by pressing OFF (red dot) button on remote handset (1).**

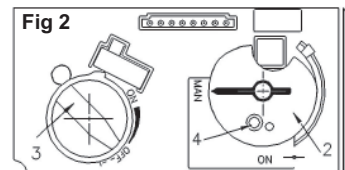
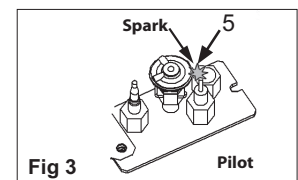
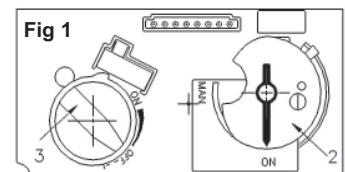
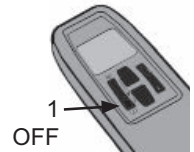
- Wait five (5) minutes to clear out any gas, then smell for gas, including near the floor. **If you smell gas, STOP!** Follow "B" in the safety information above on this label. If you don't smell gas, go to the next step.

3. **AUTOMATIC IGNITION:** MAN-knob (2) in ON position. Ensure Flame Adjustment knob (3) is set to lowest setting (U) (Fig. 1). Locate the pilot (Fig. 3.) inside of firebox at left hand side.

- On the remote control handset, press the OFF button (red dot) and large flame button (🔥) simultaneously; a short acoustic signal confirms the start has begun.
- Further short acoustic signals indicate the ignition process is in progress.
- When the pilot is lit, the Flame Adjustment knob (3) will automatically rotate to the highest setting.
- Press the small flame button (🔥) on the remote control handset to reduce the flame height.

4. **MANUAL IGNITION:** MAN-knob (2) in MAN position (Fig. 2). With the window off, locate the pilot (Fig. 3) inside of firebox at left hand side.

- Set Flame Adjustment knob (3) to the lowest setting (U).
- Push down the metallic core (4) with a pen or similar instrument; this will establish the pilot gas flow.
- Light gas at the pilot (5) with a match.
- Continue holding down metal core (4) for about 10 seconds; after release, pilot should remain lit.
  - If the pilot will not stay lit after several tries, turn the gas control knob (3) to OFF (U) and call your local service technician or gas supplier.
- Reinstall the window and set the MAN-knob (2) to ON; turn Flame Adjustment knob (3) up (↗) or down (↘) manually or use the flame buttons (🔥)(🔥) on the remote control handset to adjust the flame height.



## TO TURN OFF GAS TO APPLIANCE

**AUTOMATIC SHUT-OFF** (using the remote control handset):

- Press and hold the small flame button (🔥) on the remote control handset to shut-off the main burner gas flow.
- Press OFF button (red dot) on remote handset to shut-off the appliance, including pilot flame.

# Appendix B - Remote Control Operation

## Radio Frequency

315 MHz for USA and Canada.

This device complies with Part 15 of the FCC Rules and with Industry Canada license-exempt RSS standard(s). Operation is subject to the following two conditions:  
 (1) this device may not cause harmful interference, and  
 (2) this device must accept any interference received, including interference that may cause undesired operation.

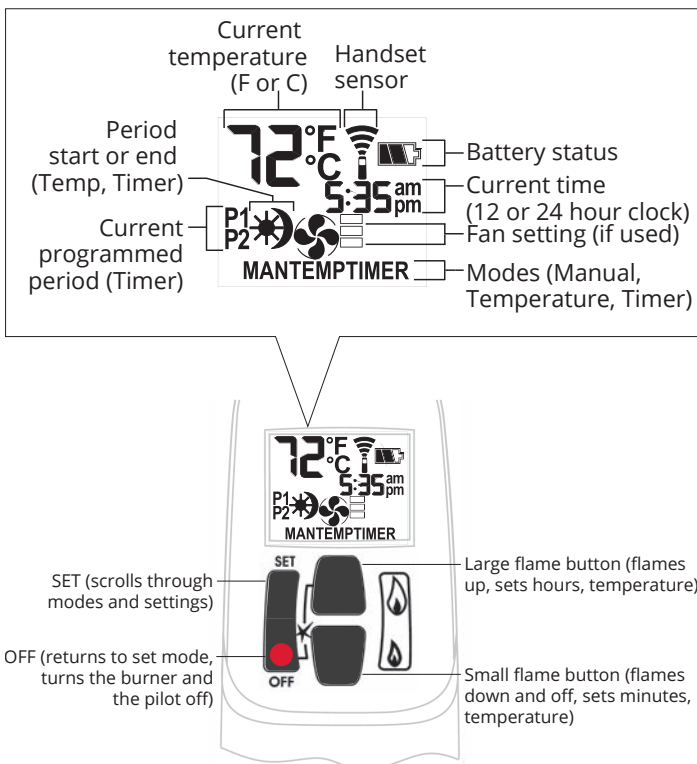
**NOTE: Before using the remote control system for the first time,** the receiver and the handset must be synchronized. See the section *Synchronize Remote Control*.

**IMPORTANT: BEFORE YOU BEGIN,** please note that on this system, the settings of time, temperature and automatic ON/OFF **can only be programmed when the function display is flashing.** Be patient when programming as it can take a few seconds to set.

Note: In the TEMP or TIMER modes, the remote handset senses the room temperature and adjusts the flame accordingly.

To communicate, the handset should be within 15 feet (4.5 meters) of the fireplace.

**Do not leave the handset on the mantel or hearth.**

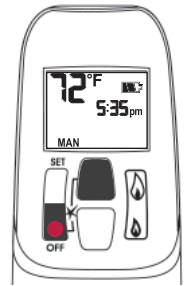


## Turn Fireplace ON

Press ● + 🔥 buttons until you hear a short beep; release buttons.

Beeps continue until pilot is lit.

Burner lits to maximum flame height and handset goes automatically to manual (MAN) mode.



NOTES:

On the valve, MAN button must be at ON, in full counter-clockwise position ↶.

ON/OFF switch (if equipped) must be in I (ON) position.

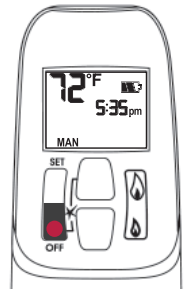
## Turn Fireplace OFF

Press ● button.

When pilot is just turned off, wait 2 minutes to light it again.

## Standby Mode (Pilot Flame)

Press and hold 🔥 to set fireplace to pilot.

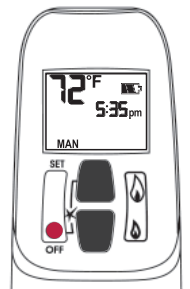


## Adjust Flames Height

With pilot lit, press and hold buttons:

- 🔥 = increase flame height
- 🔥 = decrease flame height or set to pilot

For fine adjustment, tap buttons.

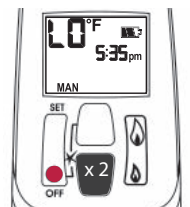
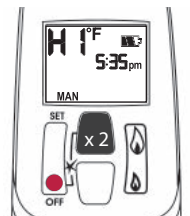


## Express Low and High Fire

Double-click buttons:

- 🔥 = increase flame to maximum height "HI"
- 🔥 = decrease flame minimum height "LO"

NOTE: Flame goes to high fire first before going to designated low fire.

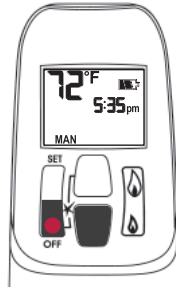


# Appendix B - Remote Control Operation

## Setting °C/24-hr or °F/12-hr clock

In MAN mode, press ● + 🔥 buttons until temperature / clock display changes from

°F / 12-hour ↔ °C / 24-hour



## Setting Time

The time display will flash after either:

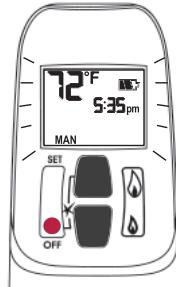
- installing the battery, or
- pressing 🔥 + 🔥

To set the time, press buttons:

🔥 = hour

🔥 = minutes

Press ● or wait to go back to MAN.



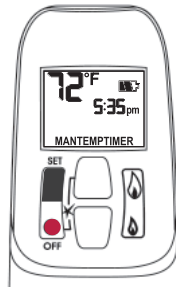
## Modes of Operation

Briefly press SET cycles through modes of operation.

MAN > TEMP > Light > Fan >

TEMP > TIMER > MAN

NOTE: Press 🔥 or 🔥 to reach MAN mode.



Set the different parameters when they are flashing.

### MAN Manual Mode

Manual flame height adjustment.



### TEMP Daytime Temperature Mode

When pilot is lit, room temperature is measured and compared to set temperature. Flame height automatically adjust to reach Daytime Set Temperature.



### Light/Dimmer Mode

Not available on this fireplace.



### Fan Mode

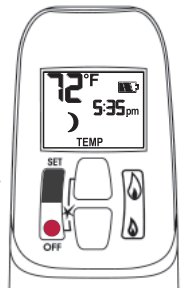
Turns fan ON and OFF and adjusts speed.



Note: To turn fan OFF, press 🔥 until all 4 bars disappear.

### TEMP Night time Setback Temperature Mode

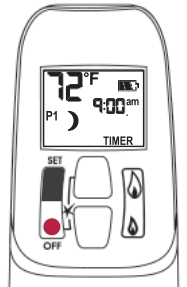
When pilot is lit, room temperature is measured and compared to set temperature. Flame height automatically adjust to reach Night Time Setback Temperature.



### TIMER Timer Mode

When pilot is lit, two periods of time (P1 and P2) can be programmed to use Daytime and Night time temperatures at specific times.

Note: Display shows set temperature every 30 seconds.



# Appendix B - Remote Control Operation

## Circulating Fan Operation (if equipped)

Circulating fan has 4 speed levels from low to high (1 to 4 bars).

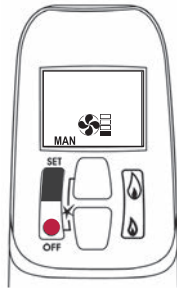
Press SET to scroll to . Fan and level icons flash.

To set speed, press flame buttons:

= increases speed.

= decreases speed and turns OFF fan when all bars disappear.

Note: 8 seconds after the fan is set, handset goes automatically in temperature control mode. Fan starts 4 minutes after gas opens (from OFF or pilot) at maximum speed then goes to displayed level after 10 seconds. Fan stops 10 minutes after gas is OFF or at pilot.



## Setting Program Timers

You can program two periods of time between 12 am and 11:50 pm in each 24-hour cycle.

Programs P1 and P2 must be set in the following order during a 24-hour cycle: **P1** , **P1** , **P2** and **P2** .

= Day Time temperature (high) program period

= Night Time temperature (low) program period

### Default Settings:

Program 1: **P1** 06:00 am **P1** 08:00 am

Program 2: **P2** 11:50 pm **P2** 11:50 pm

Press SET to scroll to **TIMER**.



If **P1** = **P1** or **P2** = **P2** , programming is cancelled.

To keep fireplace ON all night, set **P2** at 11:50 am and **P1** at 12:00 am.

If you want to program only one period, program **P1** and **P1** with desired times then **P2** and **P2** with the same time as **P1**.

## Setting high / low Temperatures

### Setting "DAYTIME" high temperature.

Default Settings: **TEMP** 23 °C/74 °F

Press SET to scroll to **TEMP**

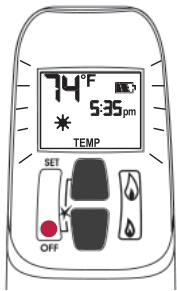
Hold SET button until TEMP flashes.

To set Daytime Temperature:

= increases temperature.

= decreases temperature.

Press or wait to complete setting.



### Setting P1 time - high temperature.

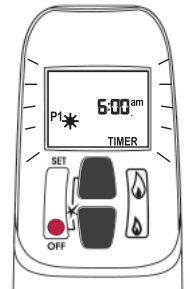
Hold SET button until **P1** is displayed and time flashes.

To set time:

= hour

= minutes

Press or wait to complete setting.



### Setting "NIGHT TIME SETBACK" low temperature.

Default Settings: **TEMP** "--" (OFF)

Press SET to scroll to **TEMP**

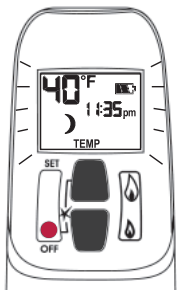
Hold SET button until TEMP flashes.

To set Night Time Temperature:

= increases temperature.

= decreases temperature.

Press or wait to complete setting.



### Setting P1 time - low temperature.

Hold SET button until **P1** is displayed and time flashes.

To set time:

= hour

= minutes

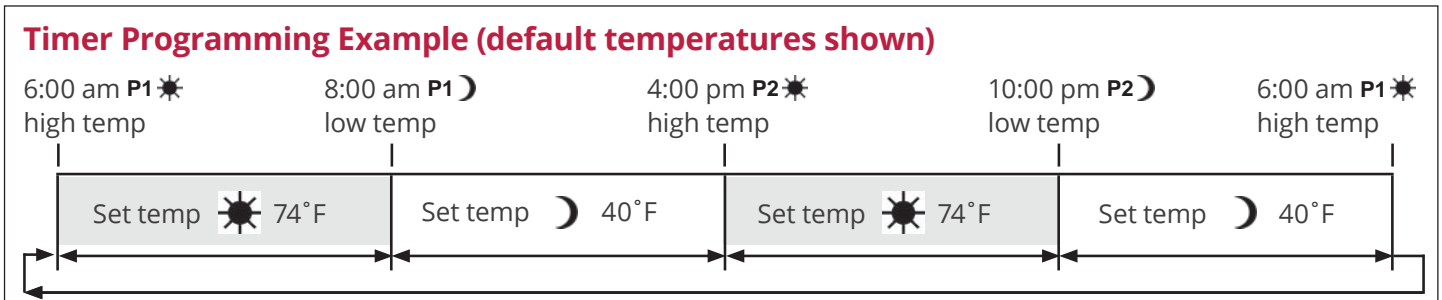
Press or wait to complete setting.

# Appendix B - Remote Control Operation

Setting P2 high and low temperature times.

Repeat same steps as Setting P1.

When all settings are complete, press ● to save them.



## Automatic Turn Down

### 8 Hour no Motor Movement

The valve will turn to pilot flame if there is no motor movement for an 8-hour period.

## Automatic Shut-Off

**Low Batteries Receiver.** With low battery power in the battery holder the system shuts off the fire completely. This does not apply when the power supply is interrupted.

**On-Demand Pilot (7 Day Shut-Off).** This green feature eliminates gas energy consumption during extended appliance inactivity. When the appliance is inactive for an extended period of time the system automatically extinguishes the pilot. This feature helps the consumer realize cost benefits by automatically eliminating energy consumption during non-heating months and limited use.

The programmed length of inactivity to activate the system is specified by the appliance manufacturer and cannot be altered in the field.

## Low Battery Indication

**Handset:** The battery icon  will show when the battery needs to be replaced. Replace with one 9 V **alkaline**

### Caution

DO NOT USE a screwdriver or other metallic object to remove batteries from holder. This could cause a short-circuit.

battery.

**Battery holder:** Frequent 'beeps' for 3 seconds when the valve motor turns indicate the batteries need to be replaced in battery holder. Replace with four 1.5 V **alkaline** batteries.

## Handset / Receiver Match

The remote control handset and receiver are programmed to function together. In case of a replacement of the handset or the receiver, you will need to reset the receiver to allow them to function together. Contact your dealer for details.


# Appendix C - Wall Switch Operation

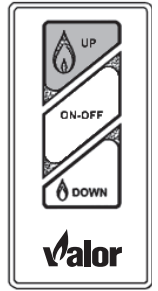
The Wall Switch can be used to control your fireplace. You can turn the pilot on or off and you can increase or decrease the flame height.

Note that the thermostat and programming functions are not available with the wall switch.



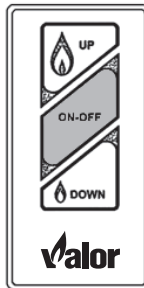
## Adjusting Flame Height


Press and hold large flame  button to gradually increase flame height.

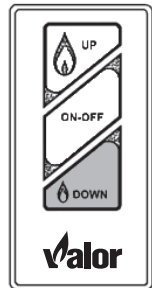


## Turning Appliance ON and OFF

Press ON-OFF button once to light pilot. Press again to shut off pilot.



Press and hold small flame  button to gradually decrease flame height.



# Appendix D - HeatShift System

## HeatShift™ System

### Planning and Installation: H3 with HeatShift®

For use with **1000K Valor Heaters ONLY (not compatible with Series J)**

#### Application

The HeatShift™ convection duct kit redistributes the warm air flow away from the fireplace to a position higher up the wall using natural convection, without the use of a fan.

The result is much cooler wall temperatures above the fireplace opening for locating televisions, artwork, etc.

#### Approvals

The LDK8 kit is CSA approved for use only with Valor Series fireplaces listed above—DO NOT use with any other models.

This HeatShift system may also be used to reduce wall surface temperatures on approved outdoor installations.

4-inch diameter duct used with this kit must be metal and meet requirements of UL-181 Class 1 Air Duct. Flexible aluminum duct is acceptable provided it meets the UL-181 Class 1 requirements.

#### NOTE

RC Backing Plates 1035BPB-RC, 1036BPB-RC or 1040BPB-RC are NOT compatible with HeatShift.

#### **WARNING**

**When placing discharge close to ceilings, staining or streaking may occur on light colored ceilings due to any dust, etc. in air flow; placing plenum(s) lower on the wall will help reduce the possibility of staining or streaking.**

#### **WARNING**

**DO NOT cover or place objects in front of or on top of air outlet(s). AVOID locating outlet within 7 feet above floor level as discharge temperatures are hot!**

#### **WARNING**

**All fireplaces listed above require the removal of the internal convection baffle for this system to function properly—read instructions carefully!**

#### **Note:**

The use of this kit will permit lower mantel clearances to be used—see “Mantel Clearances” in the *H3 Installation Manual*.

These lower mantel clearances must ONLY be used when the HeatShift system is installed and the internal convection baffle has been removed.

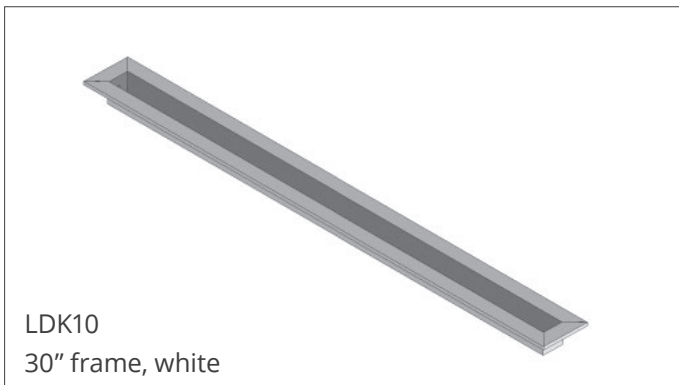
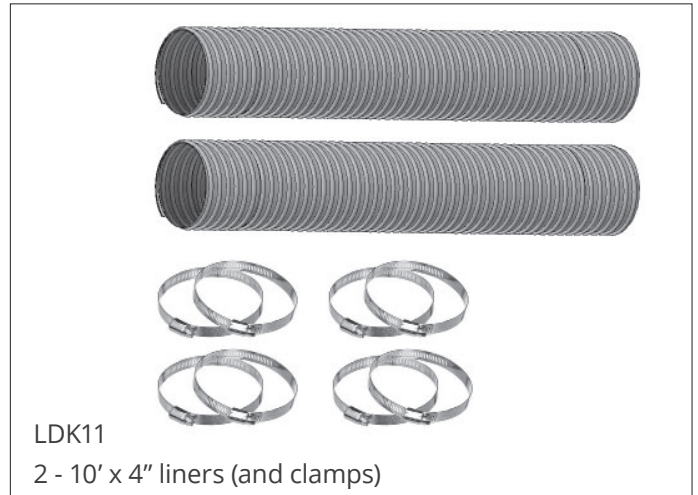
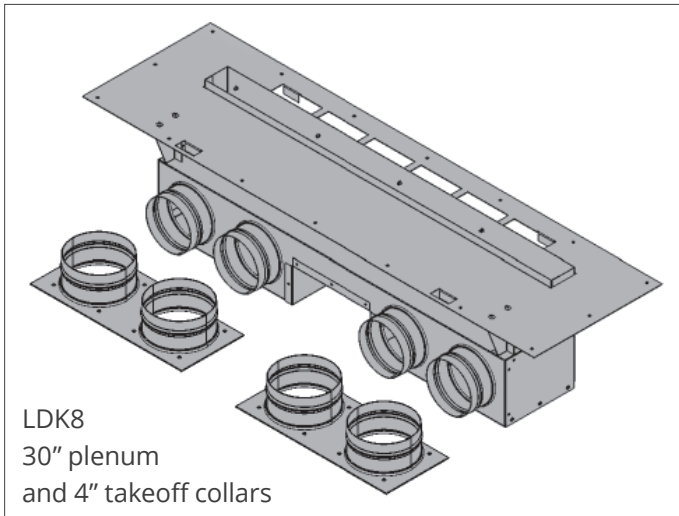
# Appendix D - HeatShift System

## Kits

The LDK8 HeatShift kit is required for use with the H3 fireplace if HeatShift is to be implemented.

The LDK10 and LDK11 are optional accessories, but some approved liner and clamps are required. See "Approvals" on the previous page for size and ratings details.

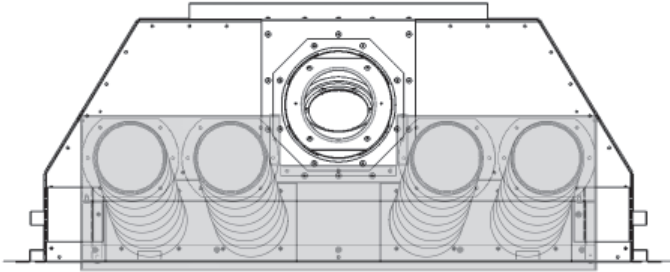
- LDK8 - 30" HeatShift plenum and (2) dual collar plates (4" diameter)
- LDK10 - 30" finishing frame to use with LDK8
- LDK11 - (2) 10' lengths of 4" liner and (8) clamps





# Appendix D - HeatShift System

## Configuration H3 with LDK8



The LDK8 plenum is typically installed directly above the H3 unit, connected by the LDK11 (or approved 4" ) liners. It may be offset from center, or vented to the rear if desired.

Note: Coaxial vent can be routed vertically through the cutout in the HeatShift plenum. If the plenum must be offset to the rear, the vent must also be offset to accommodate.

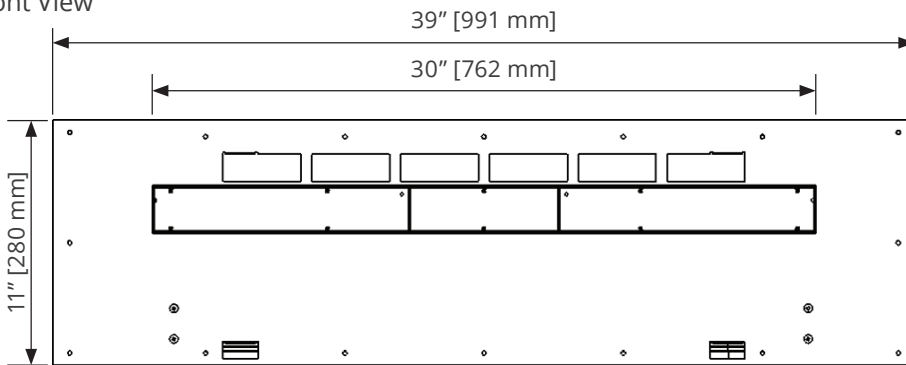
### **⚠ WARNING**

The plenum duct kits are approved for horizontal discharge ONLY. DO NOT install plenum in floor or ceiling. DO NOT COVER OR PLACE objects in front of or on top of air outlet(s). AVOID locating outlet within 7 feet of the floor level as discharge air temperatures are hot!

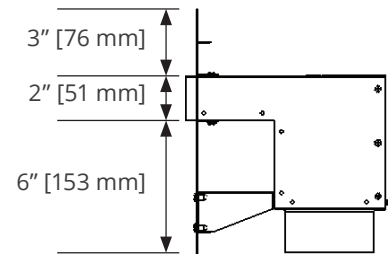
**DO NOT DISCHARGE THROUGH EXTERIOR WALLS!**

## Dimensions

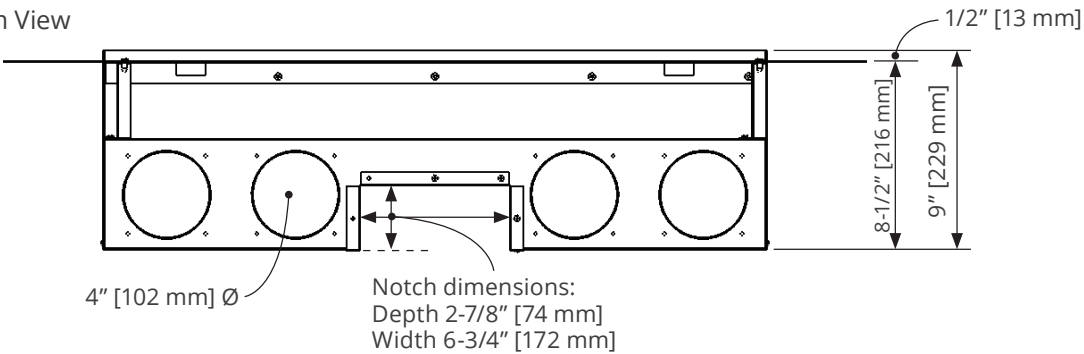
### Front View



### Side View

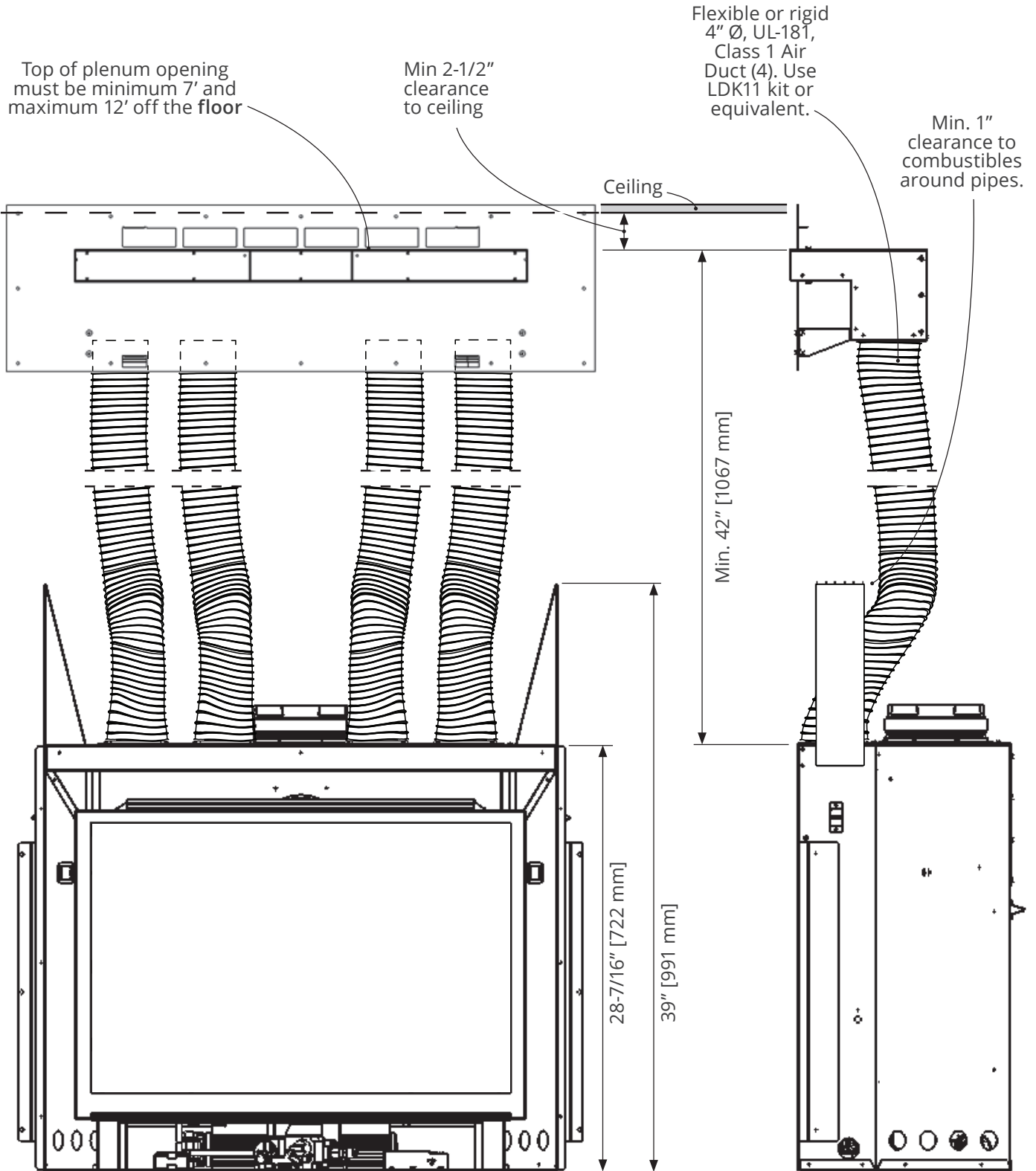


### Bottom View



# Appendix D - HeatShift System

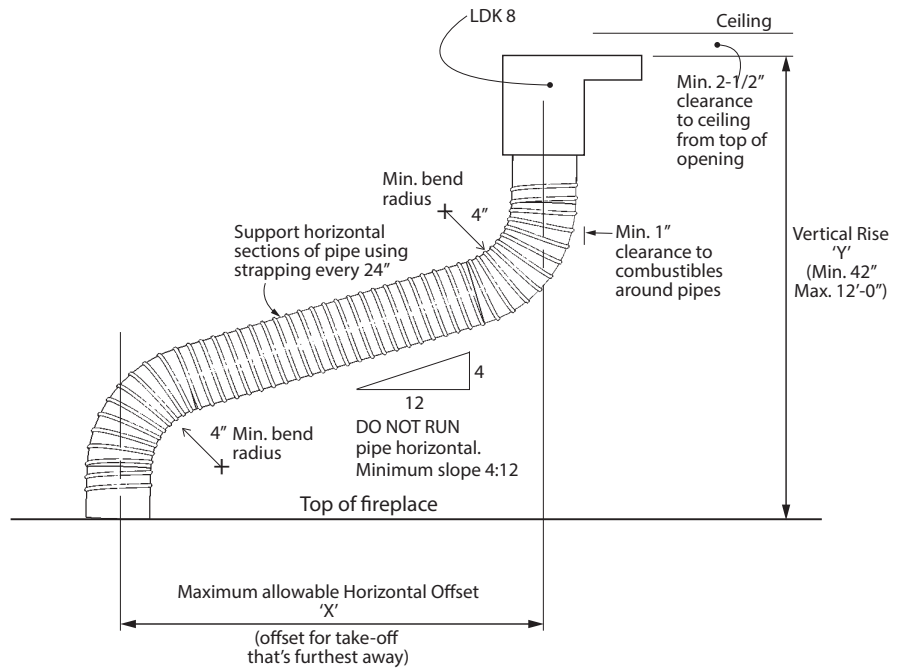
## Overview - LDK8 Kit



# Appendix D - HeatShift System

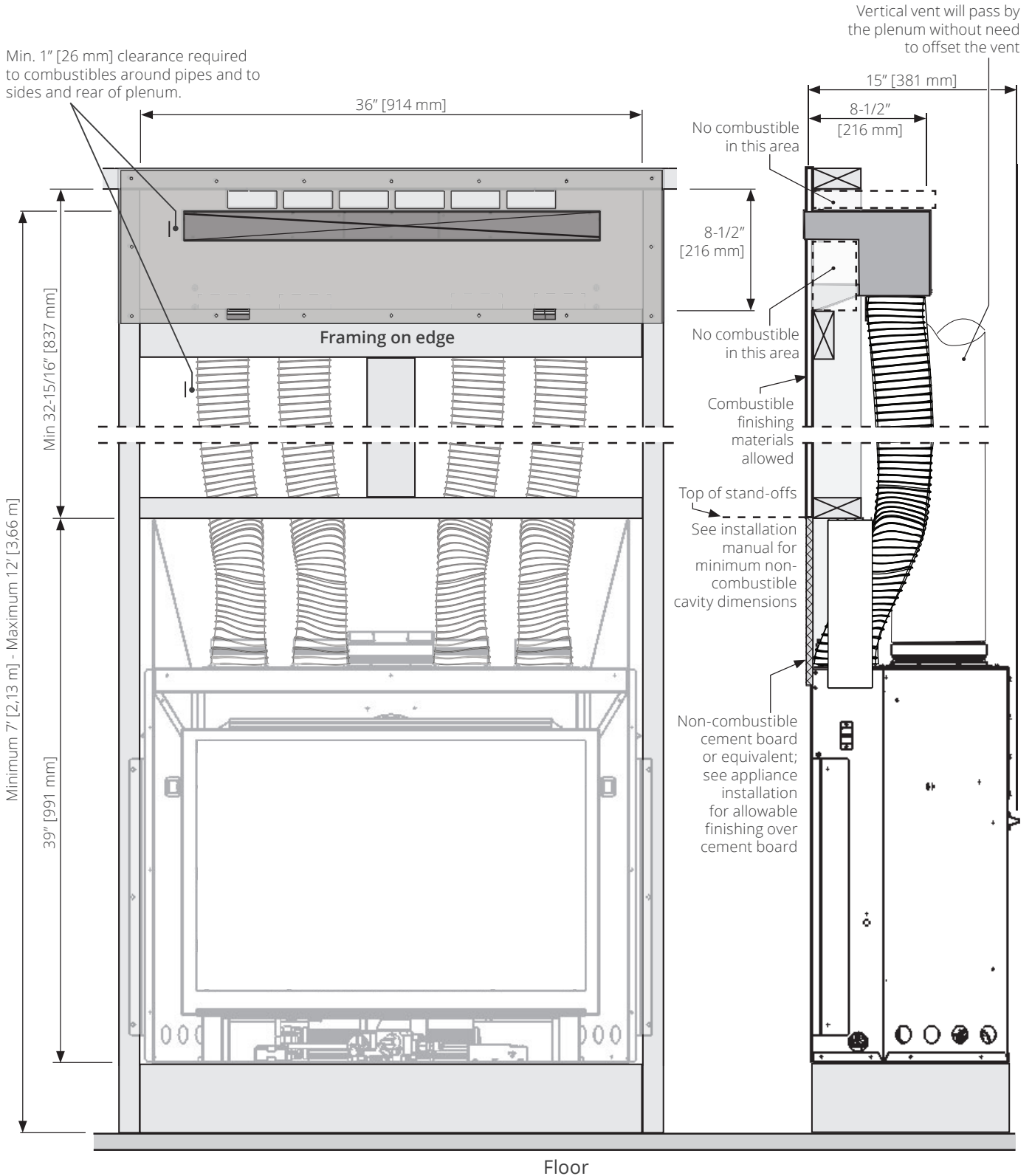
## Allowable Rise and Offset

Y Vertical Rise	X Max. Allowable Horizontal Offset
42"	48"
48"	60"
54"	72"
60"	84"
66"	96"
12'-0"	96" Max.



# Appendix D - HeatShift System

## Typical Framing - LDK8 Kit



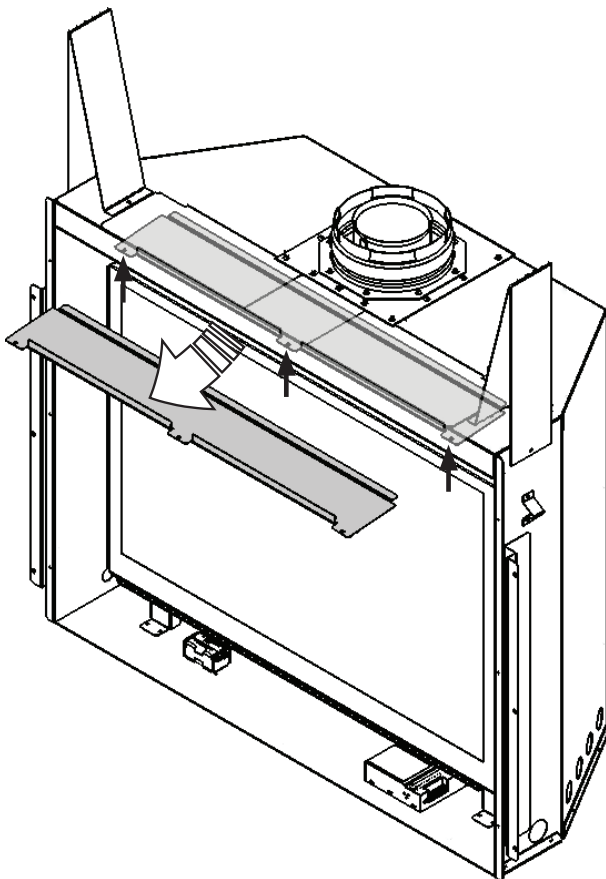
# Appendix D - HeatShift System

## Remove Convection Baffle

To be effective, the HeatShift system **requires** that an internal convection baffle located above the firebox inside the appliance case be removed to allow the hot air flow to convect upwards into ducts installed on the fireplace.

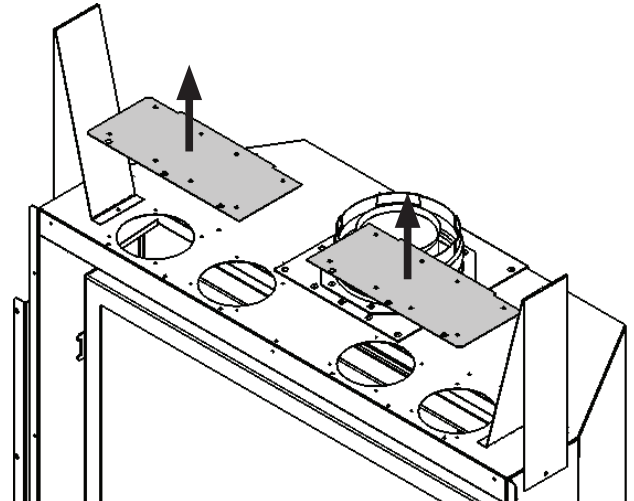
Remove the convection baffle from the appliance. It is held in place by 3 screws located right behind the upper edge of the fireplace opening. Recycle this panel as it is no longer needed.

Top of fireplace shown transparently for clarity.

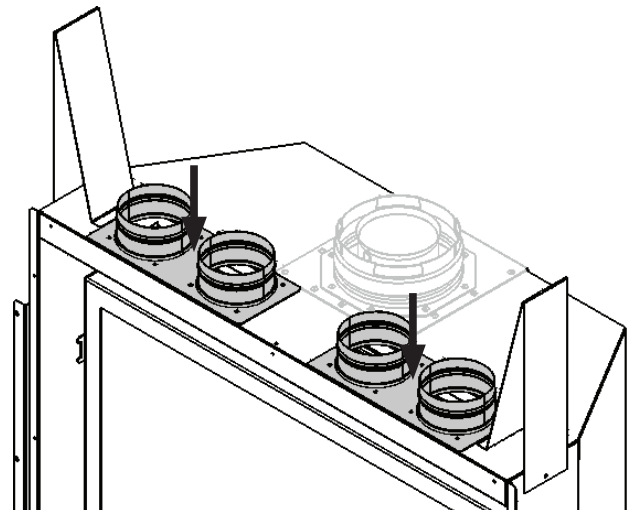


## Install HeatShift Take-Off Collars

1. Remove the two cover plates on top of the appliance case (8 screws each).



2. Install the take-off collars on the holes on top of the appliance's case (8 screws each).



### **WARNING**

**The H3 fireplace requires the removal of the internal convection baffle for the HeatShift system to function properly—read instructions carefully!**

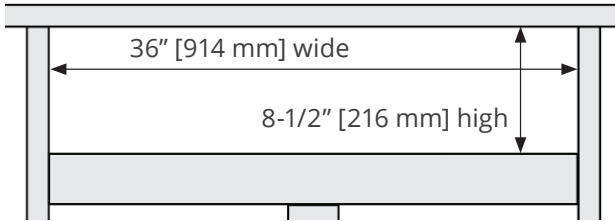
### **WARNING**

**All FOUR (4) takeoffs MUST BE CONNECTED TO PLENUM(S).**

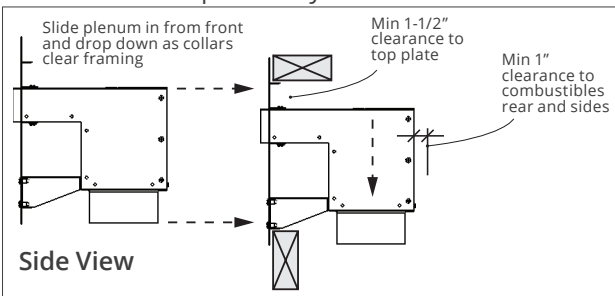
# Appendix D - HeatShift System

## Install Plenum Kit (LDK8)

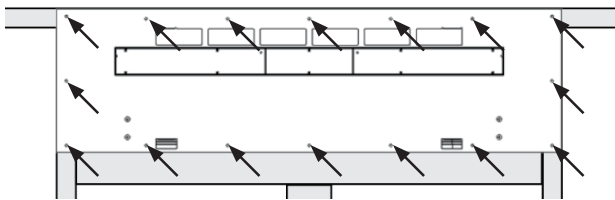
1. Frame a rough opening at the desired location—see earlier sections of this manual for detail.



2. Install the plenum into the front of the frame opening, maintaining minimum clearances to combustibles as previously listed.

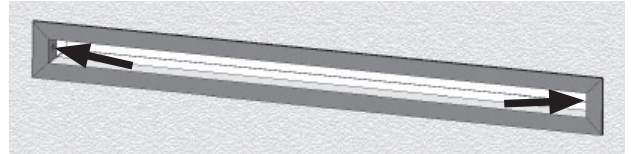


3. Fix the plenum to the front of the framing using screws through the faceplate (16 screws).



4. Attach one section of UL-181, Class 1 approved air duct to each of the collars and secure it with gear clamps provided. **DO NOT SPLICE DUCTS!**
5. Attach the top of the pipe sections to the plenum securing them with the gear clamps provided. An upward slope must be maintained in horizontal sections of pipes for proper convection (see *Allowable Rise and Offset* on page 74). Use straps as necessary to maintain the pipes positions. Support horizontal sections every 24 inches.

6. Paint the inside surfaces of the plenum using high-temperature flat black spray paint for installations where the inside of the plenums may be visible.  
**Note:** The flanges of the white finishing frame (when used) will insert approximately 1-1/4" into the plenum covering the shiny sheet metal.
7. Install the LDK10 finishing frame to the plenum after the wall finish is completed.



**Note:** The frame/louvers are finished white but may be painted another color if desired; use high temperature paint (250°F). You may also finish up to the perimeter of the plenum opening with your material of choice and not use the frame or louver. Do not finish over any of the opening in the plenum outlet.

8. Continue with the fireplace installation.

## Repair Parts List

	Description	Part no.
LDK8	30" Quad Hot Air Plenum Kit	
	30" x 2" quad plenum	4007873
	2x4" take-off collar plates (2)	4007864
LDK10	30" Outlet Frame Kit for LDK4	
	Aux Frame-SPL 30" x 2" white	4007951
LDK11	4" Aluminum 2-ply Flex Kit	
	4" dia 10' (uncompressed) aluminum chimney liners (2)	4007953
	2.5" - 4.5" ss gear clamps (8)	4007955

Each kit is sold separately.

# Appendix E - Spare Parts

	Description	Part Number
1	Duravent intake collar	4000925
2	Intake collar gasket	4000942
3	Intake plate	4007050
4	Intake plate gasket	4007056
5	Top stand-offs (2)	4007051
6	HeatShift cover plate (2)	4007425
6a	Removable convection panel	4007426
7	Frame fixing bracket (2)	4007073
8	Restrictor plates (2)	4001222
9	Burner cover	4007134BY
10	Support bracket	4007479
11	Window assembly	4007052
12	Hot glass warning plate	4003093
13	Module plate assembly (natural gas)	4007141
	Module plate assembly (propane gas)	4007355
14	Burner with bracket	4007354
15	Burner mounts (2)	4007140
16	Anti-flashback shield	4007629
17	Air shutter (natural gas)	4007136
	<b>Air shutter (propane gas)</b>	<b>4008699</b>
18	Steel flat washer	4007461
19	Spring tension washer 10 mm	4007460
20	Injector elbow 82-750 (natural gas)	4000738
	Injector elbow 92-260 (propane gas)	9730007
21	Pilot assembly (natural gas)	4000727
	Pilot assembly (propane gas)	4000728
22	Thermocouple	4000061
23	Pilot injector #51 (natural gas)	4000735
	Pilot injector #30 (propane gas)	4000736
24	Pilot hood 2-flame (offset)	4000730
25	Pilot tube	4000732
26	Electrode, short	4001856
27	Nut for short electrode	4001855
28	Pilot bracket	4007142
28a	Pilot shield	4008555AH
29	Pilot sealing plate	4002910
30	Burner module plate	4007074
31	Gasket module plate, rear	4007139
32	Gaskets module plate, RH	4007138
33	Gasket module plate, front	4003924
34	Gaskets module plate, LH	4007137

	Description	Part Number
36	Gasket injector pipe	620C016
37	Link bracket	4007289
38	Aeration lever	4007288
39	Valve to injector pipe assembly	4007261
40	Valve mount	4003956
41	Thermal switch 175C	4007633-175C
42	GV60 valve assembly 1000 (natural gas)	4007383X
	GV60 valve assembly 1000 (propane gas)	4007384X
43	Thermocurrent interrupter	4001037
44	Pipe s/s flex	4000345
45	Receiver MAX	4002422
46	Wire harness GV60	4001187
47	Yellow cable to interruptor	4002096
48	Ignition cable sleeve 530 mm	4002244
49	Ignition cable 500 mm	4001039
50	Battery box cable 1500 mm	4006552
51	Battery holder	4006553
52	Handset wall holder	9000008
53	Remote Handset MAX	4002251
54	Touch control wall switch	4001487
55	Liner panels - complete sets	
	Valor Red Brick Liners	1010VRL
	Ledgestone Liners	1015LSL
	Fluted Black Liners	1025FBL
	Plain Black Liners	1060PBL
	Charcoal Brick Liners	1065CBL
	Reflective Glass Liners	1070RGL
	Clipping brackets (4)	4004981
Herringbone Liners	1075HBL	
56	Rear panel	
	Valor Red Brick	4007183
	Ledgestone	4007417
	Fluted Black	4007200
	Plain Black	4007187
	Charcoal Brick	4007405
	Reflective Glass	4007205
Filler panel, rear	4007201	

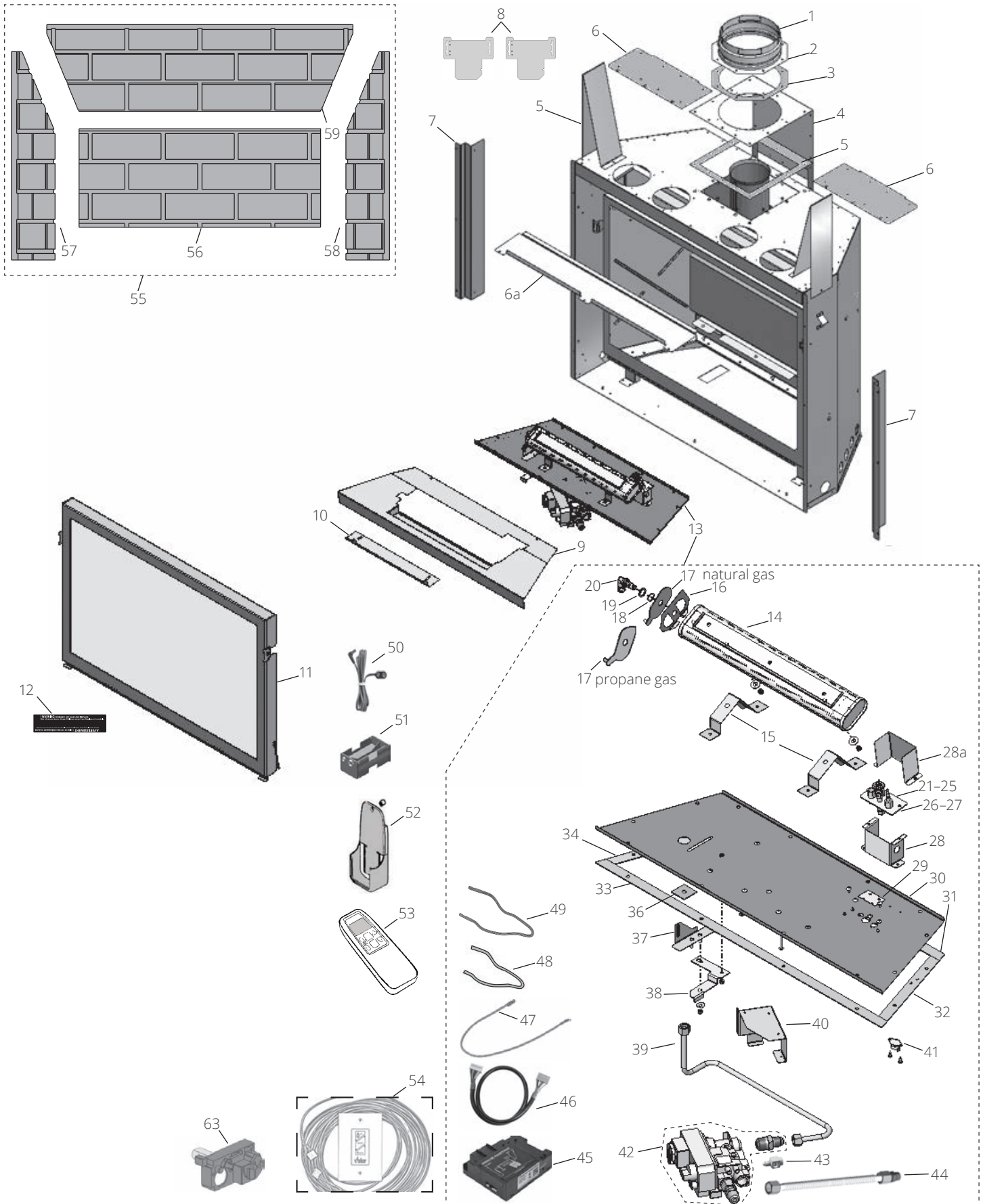
# Appendix E - Spare Parts

	Description	Part Number
	Herringbone	4007422
57	LH side panel	
	Valor Red Brick	4007182
	Ledgestone	4007416
	Fluted Black	4007198
	Plain Black	4007186
	Charcoal Brick	4007407
	Reflective Glass	4007203
	Filler panel, side	4007202
	Herringbone	4007421
58	RH side panel	
	Valor Red Brick	4007181
	Ledgestone	4007415
	Fluted Black	4007199
	Plain Black	4007185
	Charcoal Brick	4007406
	Reflective Glass	4007204
	Filler panel, side	4007202
	Herringbone	4007420
59	Top panel	
	Valor Red Brick	4007184
	Ledgestone	4007418
	Fluted Black	4007188
	Plain Black	4007188
	Charcoal Brick	4007408
	Reflective Glass	4007188
	Herringbone	4007423
60	Birch Log Set	1000BLK
	Log no. H1	4007463
	Log no. H2	4007464
	Log no. H3	4007465
	Log no. H4	4007466
	Log no. H5 (2)	4007467
	Log no. H6	4007468
	Log no. H7	4007469
	Log no. H8	4007470
	Log no. H9	4007471
	Log no. H10	4007472
	Log no. H11	4007473
	Log no. H12	4007474

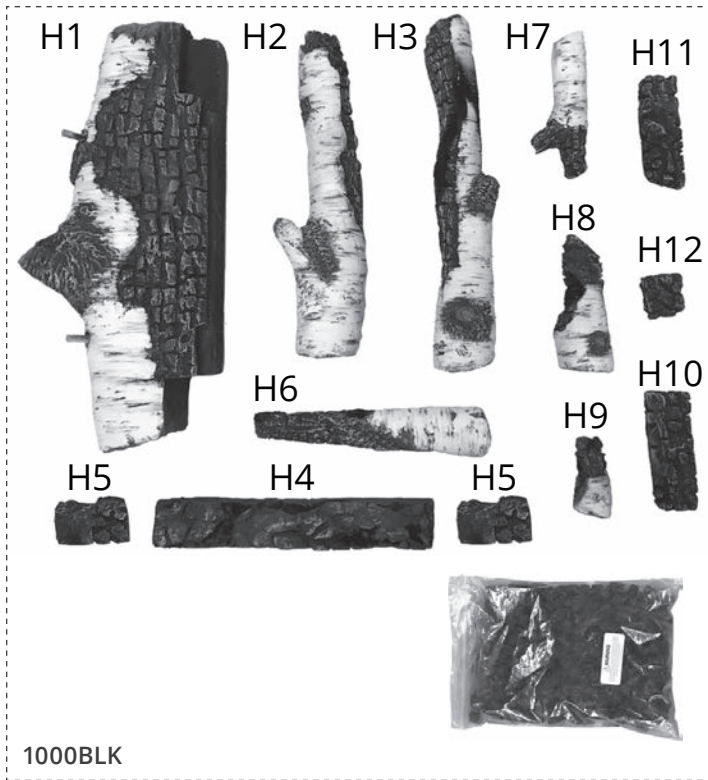
	Description	Part Number
	Embers—0.18 lb bag	4007475
61	Driftwood Log Set	1000BLK
	Log no. H15	4007494
	Log no. H16	4007495
	Log no. H17	4007496
	Log no. H18	4007497
	Log no. H19	4007498
	Log no. H20	4007499
	Log no. H21	4007500
	Log no. H4	4007466
	Log no. H5	4007467
	Pebbles (7)	4007501
	Embers—0.18 lb bag	4007475
62	Traditional Log Set	1000LSK
	Log no. H25	4007502
	Log no. H26	4007503
	Log no. H27	4007504
	Log no. H28	4007505
	Log no. H29	4007506
	Log no. H30	4007507
	Log no. H31	4007508
	Log no. H4	4007466
	Log no. H5 (2)	4007467
	Log no. H10	4007472
	Log no. H11	4007473
	Log no. H12	4007474
	Embers—0.18 lb bag	4007475
63	GV60 Valve Repair Kit	4004544



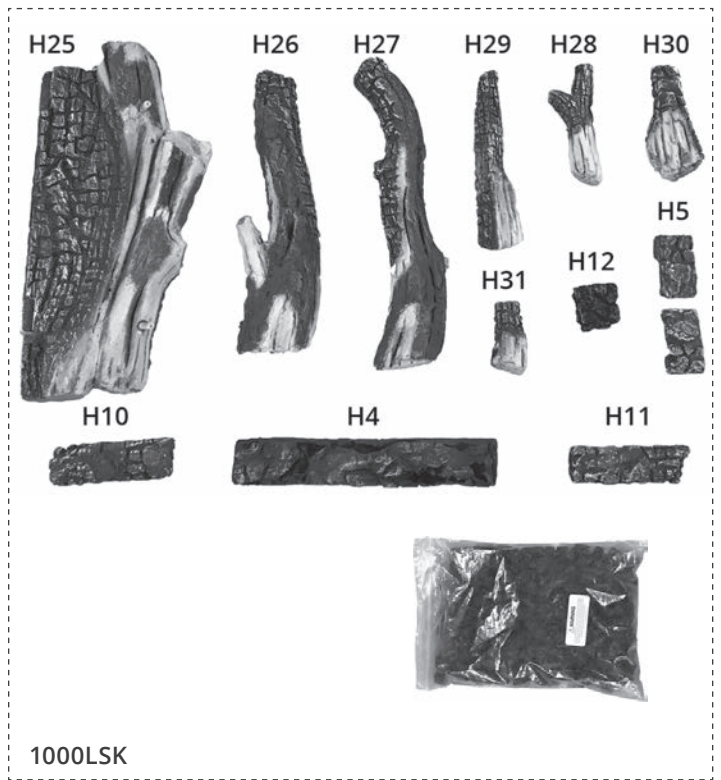
# Appendix E - Spare Parts



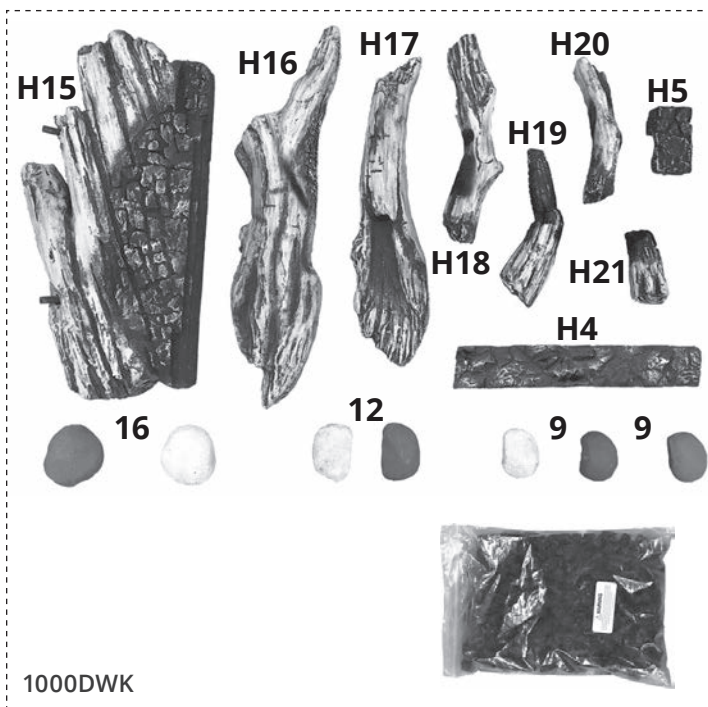
# Appendix E - Spare Parts



60



62



61