

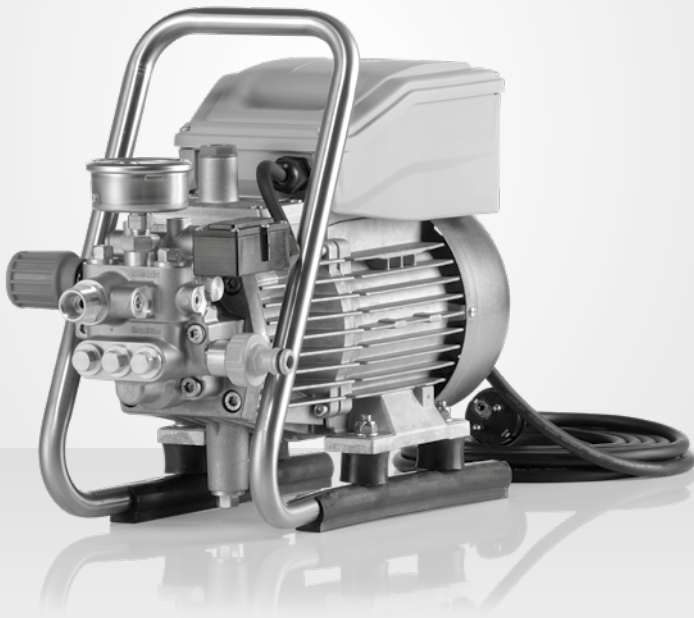
EN

Operating manual with spare parts list

- USA -

High-pressure cleaner

K 1322 TS



Operating manual

EN

High-pressure cleaner

K 1322 TS

Operating manual!

This manual is a translation of the original manual. Read and conform safety instructions before use! Technical data will be found in the Spare parts list. Please be aware that the spare part list is part of the operating manual. Keep both leaflets for later use or any subsequent owners.

Dear customer:

We would like to congratulate you on the purchase of your new high-pressure cleaner and thank you for your confidence in our products!

Your choice has fallen on an absolute quality product! Kränzle high-pressure cleaners are characterized by their convenient and compact design as well as their high suitability for everyday use.

Highest precision and dimensional accuracy in addition to a technology package consisting of a multitude of details mark the difference when it comes to performance, safety and durability.

In order to facilitate handling of the high-pressure cleaner, the following pages are intended to further explain its use. The illustrations may be subject to deviation depending on the type of equipment or accessory of high-pressure cleaner purchased by you.

Contents	4
Explanatory symbols	5
Safety notes	6
Description of high-pressure cleaner	10
General rules	12
Functional details	14
Putting into operation	18
Direktansaugung	22
Taking out of operation	23
Small repairs - do it yourself	24
Kränzle accessories	28
EU Declaration of Conformity	30
Warranty	31
Technical data	33
Wiring diagram	34
Spare parts list	35
Inspection reports	44

Explanatory symbols used in the operating manual



Failure to observe this note may entail environmental damage.



Note on the use of the high-pressure cleaner that failure to adhere to the instructions may cause excessive wear or total breakdown of the K 1322 TS.



Warning!
Failure to observe this note may result in serious injuries!

Explanatory symbols affixed to the high-pressure cleaner



In case of improper use, the high-pressure jets can be very dangerous. Do not direct high-pressure jet at persons, animals or active electrical equipment or the high-pressure cleaner itself.



The high-pressure cleaner may not be connected directly to the public drinking water supply network.



Risk of burns due to hot surfaces!



Products marked with this symbol may contain constituents posing a risk to health or the environment if incorrectly disposed of. These products must never be disposed of as household waste.

Explanatory symbols affixed on the packaging



This symbol denotes recyclable packaging materials which must not be disposed of as household waste. Information on proper disposal will be gathered from the recycling directives issued by your local authority.

User operating the high-pressure cleaner should wear the necessary protective clothing, i.e. waterproof clothing, rubber boots, safety goggles, ear protection headwear etc. It is prohibited to use the high-pressure cleaner in close vicinity to people lacking suitable protective clothing.

Use of high-pressure cleaners may result in aerosols being generated. An aerosol is a mixture of floating solid or liquid particles in a gas. Inhaling aerosol particles may cause damage to health. Employers are under obligation to carry out a hazards assessment in order to determine the necessary protective measures to prevent inhalation of aerosols as governed by the surface due to be cleaned in each case. Respiratory masks, Class FFP 2 or higher, are suitable for protection against aqueous aerosols.

Whenever the high-pressure cleaner is left unattended, the mains disconnect switch must always be switched off.

Do not spray against matter containing asbestos or other hazardous substances!

Never spray flammable liquids or liquids containing solvents such as paint thinners, petrol, oil or similar liquids! Explosion hazard due to spraying such materials!

Due to the high-pressure jet, damage may occur on the objects to be cleaned, e.g. car tires; therefore, a minimum distance of 30 cm is to be kept!

Prior to putting the high-pressure cleaners into operation, check its components (High-pressure hose, power supply cables, safety trigger gun) for any damage. Replace defect or damaged components!

Only use high-pressure hoses, couplings and fittings recommended by Kränzle. Only these accessories ensure safety of the equipment.

If use is made of an extension cable, this must be suitable for outdoor use. In addition care needs to be taken to ensure that the cable is kept dry and that it is situated above the ground. We recommend the use of a cable drum capable of keeping the socket at least 60 mm above the ground.

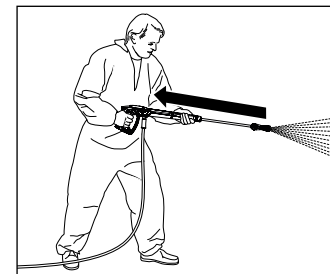
Replacement of the power supply cables is only permitted by use of an original power supply cable of the manufacturer and must be performed by a qualified electrician.

Safety devices serve to protect the user and must never be de-activated or their function bypassed.

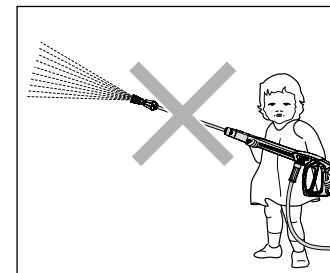
The high-pressure cleaner is to be properly used. The user is required to adhere to local requirements and to watch out for the persons in the danger zone!

If used in elevated positions where there is a risk of the unit falling to the ground, it must be secured against rolling away or tipping over.

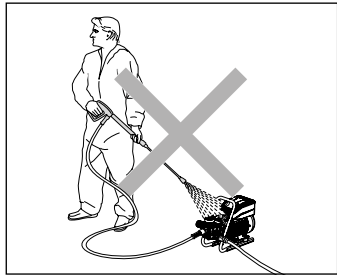
The high-pressure cleaner is not designed for use by persons with restricted physical, sensory or mental abilities (including children)!



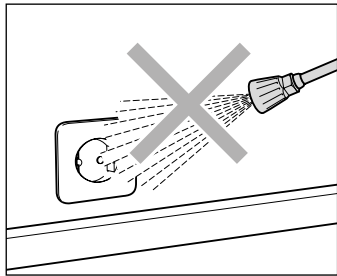
When using high-pressure water for cleaning, make sure that there is a clearly noticeable recoil effect on the lance. Therefore ensure a firm footing (see technical data).



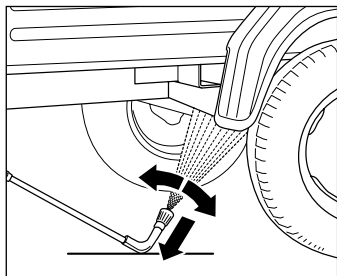
Never allow children or untrained persons to use the high-pressure cleaner or to play with it! Children must be kept under supervision to prevent them from playing with the equipment.



Never direct the high-pressure jet at the high-pressure cleaner itself! The high-pressure cleaner may not be placed within reach of the high-pressure jet spray mist!

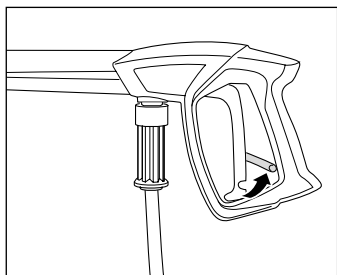


Never direct the high-pressure jet at power sockets or any other electrical installations! Within the working area, all live parts are to be protected from both water jet and spray mist.

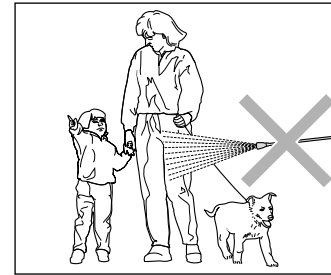


Always pay attention to the underbody lance resting on the surface! Bear in mind when using a curved or angled spraying lance that there is a significant amount of torque in the recoil!

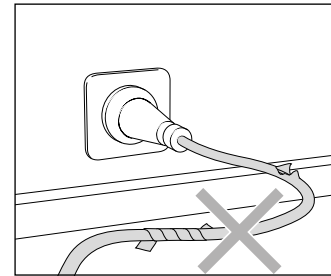
(The underbody lance is available as optional accessory).



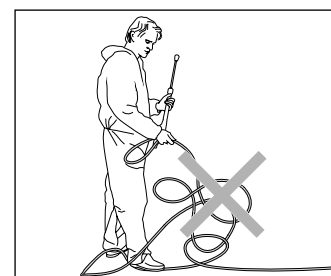
Apply the safety catch on the safety trigger gun after each use in order to prevent unintentional spraying!



Never direct the high-pressure jet at people or animals! Never direct the high-pressure jet at yourself or other persons, not even to clean clothing or shoes.



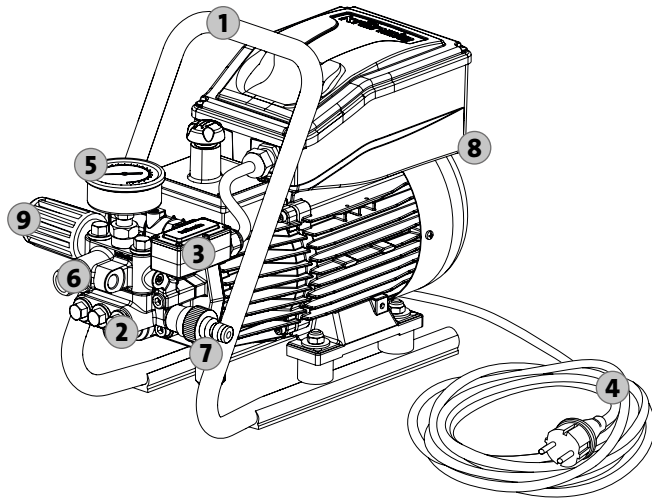
Only use a power supply cable in perfect working order! Do not damage or improperly repair the power cable (tearing, squeezing, running over, ...).



Never pull the high-pressure hose if it has formed kinks or "nooses"! Never pull the high-pressure hose over sharp edges!

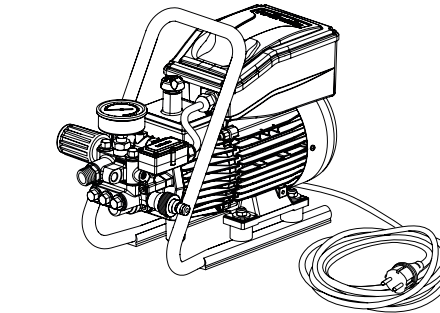
Design:

The K 1322 TS is portable type high-pressure cleaners. Please see construction scheme for more details.

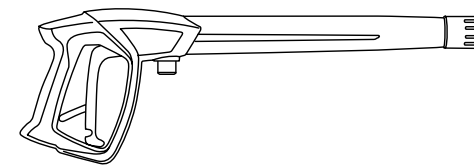


- 1. Shaped handle
- 2. Pump head made of special brass
- 3. Start/Stop switch
- 4. Power supply cable with mains plug
- 5. Large stainless steel pressure gauge
- 6. Pump outlet / high-pressure hose connection
- 7. Supply including water inlet filter
- 8. On/Off switch with motor protection
- 9. Infinitely variable pressure and quantity regulation

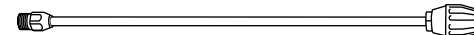
This is what you have purchased:



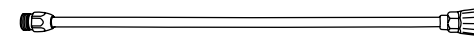
- 1. Kränzle high-pressure cleaner K 1322 TS



- 2. Safety trigger gun with screwing



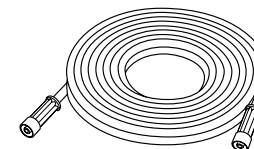
- 3. Dirtkiller lance with stainless steel pipe (optional)



- 4. Stainless steel lance with flat jet nozzle



- 5. Operating manual
Spare parts list



- 6. High-pressure hose

Intended use

This high-pressure cleaner is to be used solely for high-pressure water jet cleaning applications without detergents or low-pressure cleaning work with detergents (e.g. with a foam injector or washing brush).



Environmental, refuse disposal and water protection regulations must be observed!

Inspections

The high-pressure cleaner must be inspected according to the “Guidelines for Liquid Spray Devices” at least once every 12 months by a qualified person, to ensure that continued safe operation is guaranteed. The results of the inspection are to be recorded in writing (see Inspection reports).

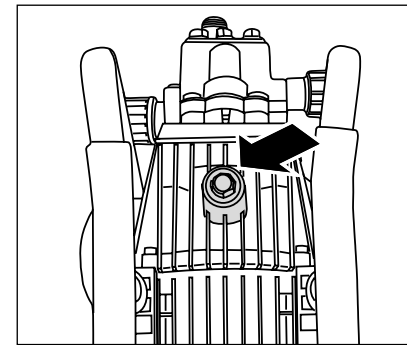


High-pressure cleaners used for commercial purposes have to be checked by a qualified person at least every 12 months!

Accident prevention

The high-pressure cleaner is designed for accidents to be impossible if used correctly. The user is to be notified of the risk of injury from hot machine parts and the high-pressure jet. The “Guidelines for Liquid Spray Devices” must be complied with.

Oil change



The first oil change should be carried out after approximately **50 operating hours**, then every year or after 250 operating hours. If the oil turns grey or white, you must change the oil. In case of exchanging oil being required, the oil drain screw must be opened above a container and the high-pressure cleaner be emptied. The oil is to be caught in the reservoir and disposed of in an approved manner.

New oil: 0.25 l

Kranzle High Performance Gear Oil
(Item no.: 400932)



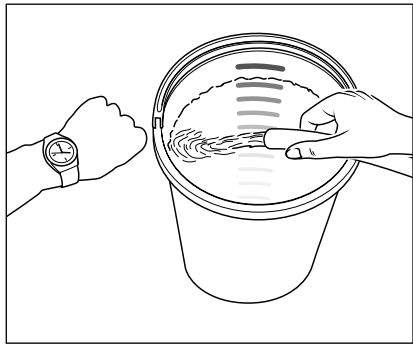
Oil leakage

If oil leaks contact your nearest after-sales service (dealer) at once. Failure to observe this instruction may cause damage to the environment and/or transmission gearbox.



In case of increased humidity or fluctuations in temperature development of condensed water is possible. If the oil turns grey or white, you must change it.

Please note: Lack of water



Lack of water occurs more often than you probably believe. The more powerful a high-pressure cleaner is the greater is the danger that a lack of water occurs. If there is only an insufficient amount of water available, cavitation (water-gas mixture) arises inside the high-pressure pump, which is normally noticed too late or even not at all. **The high-pressure pump will be destroyed.** Please check the available quantity of water by filling a bucket with liter scale for one minute.

Required minimum quantity of water (see technical data).



If the metered quantity of water is too small, you have to use a different water connection, guaranteeing the necessary output. Lack of water leads to an accelerated wear of the joints (no warranty).



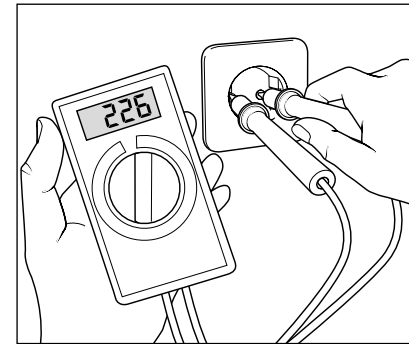
Never let the high-pressure pump run dry for more than 60 seconds.

Water supply



Please pay attention to the regulations of your waterworks company! In accordance with DIN EN 61770, the high-pressure cleaner may not be directly connected to the public drinking water supply lines. A brief connection however is permissible according to DVGW (German Association for Gas and Water Affairs) if a non-return valve with tube ventilator (Kränzle item no.: 410164) is built into the water supply. **Once the water has passed through the non-return valve it is no longer considered as drinking water.** Also indirect connection to the public drinking water supply lines is permissible by way of free emission in accordance with EN 61 770; e.g. by using a reservoir with a float valve. Direct connection to a non-drinking water supply line is permissible.

Insufficient quantity of electricity



If there are too many collectors in your proximity connected to the network at the same time, the available voltage and the current intensity may decline. Consequently the motor of the high-pressure cleaner does not start or even blows. The power supply may also be insufficient if the power supply cable is too long or too thin. If extension cables are too long, this may lead to a voltage drop causing malfunctions or start-up difficulties.



Check the line fusing and have the voltage and the available current intensity checked by an expert in case of uncertainty (see technical data).

Electrical connection

The high-pressure cleaner is supplied with a 5 meters long power supply cable. The mains plug must be fitted to a standard grounded socket with a **30 mA** residual current operated device. Connection up to the mains must be carried out by a properly trained electrician and must comply with the requirements of IEC60364-1. The socket must be protected with a **16 A delay** action fuse on the mains side. When using an extension cable, **this must have an earthed lead** which is properly connected to the socket. The conductors in the extension cable must have a minimum cross section of **1.5 mm²**. Plug connections must be of a spray-proof design, and may not be located on a wet floor. For extension cables of **more than 10 m** in length, the minimum cross-section must be **2.5 mm²**! When using a cable drum, the power supply cable always must be unwound all the way.

Water and cleaning system

Water must be supplied to the high-pressure pump under pressure or directly sucked in out of a pressureless container. The water is then forced under pressure by the high-pressure pump to the lance. The high-pressure jet is formed by the nozzle at the end of the lance.



Environmental, refuse disposal and water protection regulations must be observed!

Safety jet pipe with safety trigger gun

The high-pressure cleaner can only be operated when the trigger of the safety deactivation trigger gun's trigger is actuated. When the trigger is pulled, the safety trigger gun opens. The liquid is then transported to the nozzle. The spray pressure increases and quickly reaches the operating pressure. When the trigger is released, the safety trigger gun closes and any further spraying of liquid from the safety jet pipe is prevented. The stainless steel pressure gauge must show 0 bar. The increase in pressure when the safety trigger gun is closed causes the pressure control valve/safety valve to open. The motor is switched off by the pressure switch. When the safety trigger gun is opened, the pressure control valve/safety valve closes, the motor is started and the high-pressure pump resumes pressure spraying from the safety jet pipe with the selected operating pressure.



The safety trigger gun is a safety device. Repairs should only be performed by qualified persons. Should replacement parts be required, use only components authorized by the manufacturer.

Pressure control valve/safety valve

The pressure control valve/safety valve protects the high-pressure cleaner from a build up of excess pressure, and is designed not to permit an excess pressure to be selected for operation. The limit nut on the handle is sealed with a spray coating. The operating pressure and spray rate can be steplessly adjusted by turning the handle.



Replacements, repairs, new adjustments and sealing should only be performed by qualified persons.

Motor protection switch

Motor is protected against overload by means of a motor protection switch. In case of motor overload or blocking, the motor of the high-pressure cleaner switches off automatically. If motor tends to switch off repeatedly, make sure to detect and remedy the cause of the failure.



Replacements and inspection work should only be performed by qualified persons **when the high-pressure cleaner is disconnected from the power supply**, i.e. with plug pulled out from the electrical socket.

Totalstop-System

The K 1322 TS features a totalstop system. If the main switch is switched on, the motor is started via a pressure switch when opening the safety trigger gun. When closing the safety trigger gun the motor is switched off immediately.

High-pressure hose and spray device

The high-pressure hose and spray device which are part of the K 1322 TS equipment, are made of high quality material and engineered to conform with the operating conditions of the high-pressure cleaner and are duly labeled.



If replacement parts are required, only such parts that are authorized by the manufacturer may be used. The warranty is automatically void if spare parts of third-party providers are used! The high-pressure hose and spray device must be connected in a pressure-tight manner (without leakage).



The high-pressure hose may not be driven over, pulled excessively, or twisted. The high-pressure hose may under no circumstances be pulled over sharp edges. Defective high-pressure hoses must not be repaired (acc. to DIN 20022) but have to be replaced by new hoses approved by the manufacturer.



1. Carry the K 1322 TS to its their place of use and ensure secure footing of the high-pressure cleaner.



Do not place the K 1322 TS on rough surface because the high-pressure cleaner tends to vibrate during operation.



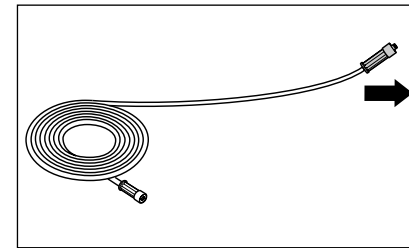
When carrying the K 1322 TS, make sure to bear in mind the weight of the high-pressure cleaner (see technical data).



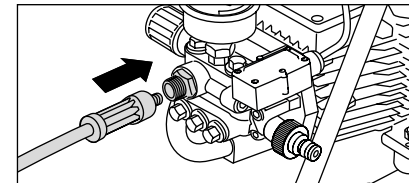
It is imperative that safety instructions be observed during use of the high-pressure cleaner.



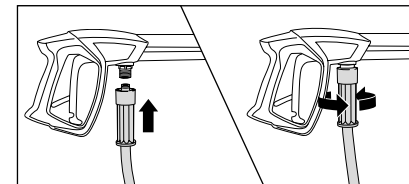
Neither set up or operate the K 1322 TS in rooms where there is a risk of fire or explosion nor put it into puddles. Do not use the high-pressure cleaner under water. If, none the less, the high-pressure cleaner is operated in a hazardous area, the applicable safety regulations are to be observed.



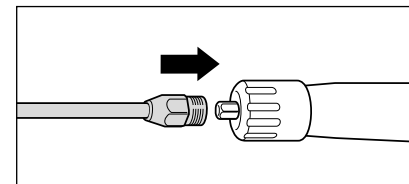
2. Unwind high-pressure hose straight and without nooses. (When using high-pressure hose extensions take care that the max. length of 20 m is not exceeded!) The high-pressure hose may leave signs of abrasion on some floors. Alternatively, please also find non-marking high-pressure hoses in our range.



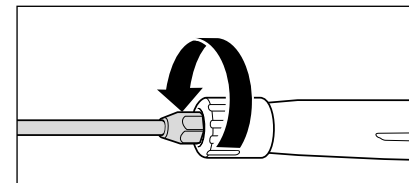
3. Plug screw high-pressure hose included in scope of delivery at pump outlet and tightly screw pressure-tight.



4. Tightly screw together high-pressure hose and safety trigger gun.



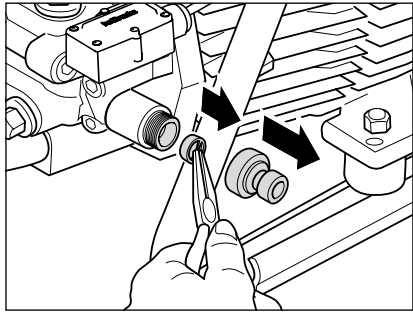
5. Lance on to safety trigger gun.



6. Screw together lance and safety trigger gun pressure tightly.



Accessories may only be connected to a Kränzle-approved trigger gun with safety catch.

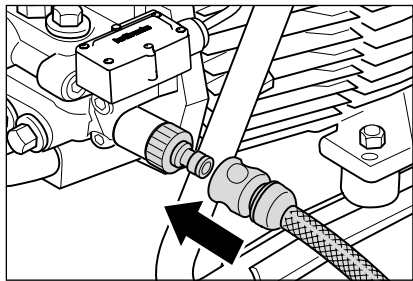


7. Check water inlet filter for cleanliness prior to putting the high-pressure cleaner into operation.

Manually unscrew plug-in coupling. Take out the water inlet filter using needle nose pliers and thoroughly rinse it with clear water and clean it with the other parts. If the sieve is dirty, water can not get through and pressure will not build up.



Check the water inlet sieve for damage. Do not operate the high-pressure cleaner without or with a damaged filter.

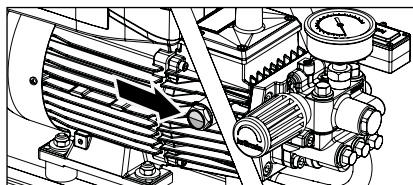


8. Connect water hose to water inlet (minimum requirements; 5 m hose length, cross-section 3/4", 10 bar). The high-pressure cleaner may be connected to a water mains (1-10 bar pre-pressure) with either cold or hot water (up to 60 °C). The K 1322 TS provides the opportunity of sucking in water out of a container (see direct suction).



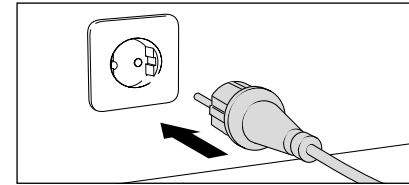
Be careful when using hot water!

When running your high-pressure cleaner with hot water of 60 °C raised temperatures occur. Do not touch the metal parts of the high-pressure cleaner without safety gloves!



9. Each time check oil level of the oil sight glass prior to putting the high-pressure cleaner into operation.

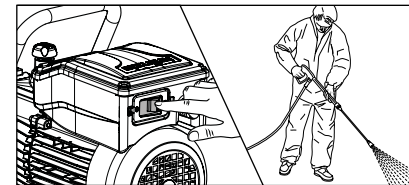
Oil level must be visible in the middle of the oil sight glass.



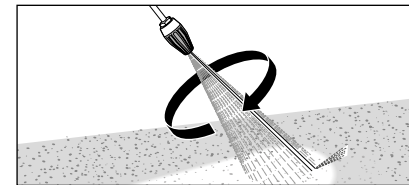
10. Connect to circuit (see technical data).



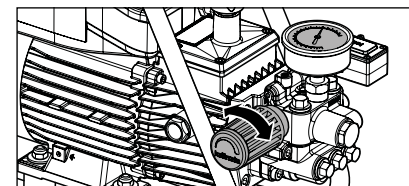
Do not touch the mains plug or any live parts with wet or moist hands.



11. Switch on high-pressure cleaner with opened safety trigger gun. Bleeding of the high-pressure cleaner: Pull and release trigger of safety trigger gun several times. Start cleaning task.



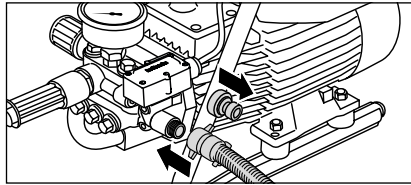
12. When using the dirtkiller lance make sure that lance points downward when starting.



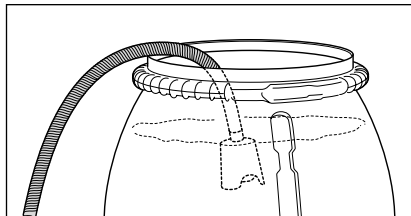
13. Adjust operating pressure infinitely using the rotary handle. The maximum pressure is factory-set.

Direct water extraction

Due to the suction capacity of its high-pressure pump (up to 1 m suction height, max. hose length 3 m) this high-pressure cleaner can suck in water for cleaning purposes from separate containers or ponds.



1. Mount suction hose with suction filter (Item no.: 150383).



2. Put filled suction hose into the water-filled container and start the cleaning job. **Use clean water only! Never suck in water containing chlorine! Do not suction air!**



Prior to starting the first suction the high-pressure pump and the suction hose has to be filled with water!

Note

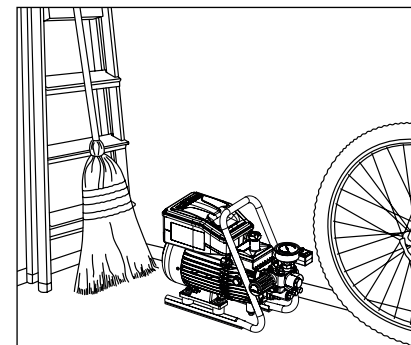
Depending on the water quality it may occur after a prolonged standstill that the valves get sticky. Consequently the high-pressure cleaner cannot properly suck in water from a container. In this case connect a hose with pressurized water to the pump inlet. Having started the high-pressure cleaner the pressurized water opens the valves and the machine resumes sucking in water from the container. Now you can carry on with your cleaning task as usual.



1. Switch off the high-pressure cleaner
2. Cut off the water supply
3. Open the safety trigger gun catch briefly until the pressure is released
4. Apply safety catch on the trigger gun
5. Remove high-pressure hose and safety trigger gun
6. Emptying high-pressure pump: Hold high-pressure hose and switch motor on until water jet stops escaping at the outlet.
7. Pull the plug from the socket
8. Clean high-pressure hose and wind up without loops
9. Clean and wind up the power supply cable
10. Clean the water inlet sieve
11. Store high-pressure cleaners in frost-free rooms in winter

Frost protection

For protecting the high-pressure cleaner against frost please empty it completely. Separate high-pressure cleaner from water supply and switch it on. By opening the trigger gun the high-pressure pump presses water out of the high-pressure cleaner. **However, do not allow the device to operate without water for more than one minute.**



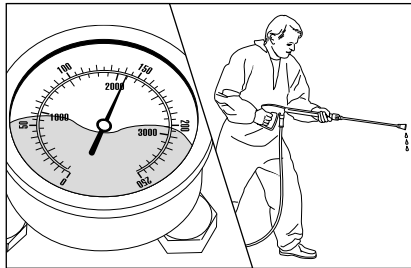
Due to their small base, the compact and mobile Kränzle high-pressure cleaners are easy to store.

Problem

No water from nozzle although the high-pressure cleaner is running.
The stainless steel pressure gauge shows full pressure.

Cause

Most likely the nozzle is blocked.



The stainless steel pressure gauge shows full pressure, but from the nozzle comes only little water or no water at all.

(Inside the stainless steel pressure gauge is no water but a filling with glycerin to damp the vibration of the pointer.)

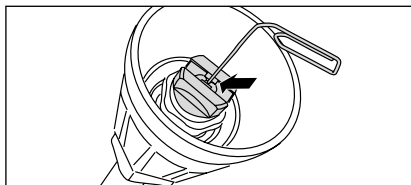
Proceeding:

Switch off the high-pressure cleaner. Pull plug from the socket. Operate safety trigger gun catch several times to decrease the pressure.

Unscrew safety trigger gun and lance first, then rinse high-pressure hose to remove possible soiling.

Check water inlet filter for soiling.

If the problem still exists, take wire (paper clip) and push through nozzle opening. If this procedure is not successful, the nozzle has to be replaced.



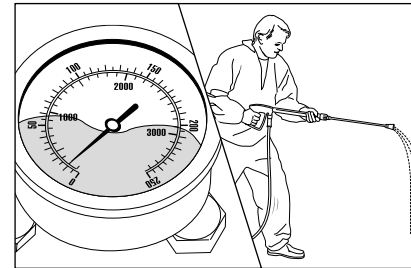
Pull plug from socket prior to starting any repair work!

Problem

Irregular jet from nozzle.
The stainless steel pressure gauge shows low pressure.

Cause

Most likely the valves are soiled or sticky.

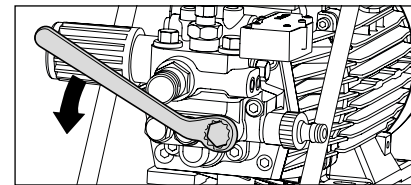


The stainless steel pressure gauge shows low pressure despite fully turned up pressure regulation. The water from the lance comes in squirts. The high-pressure hose vibrates.

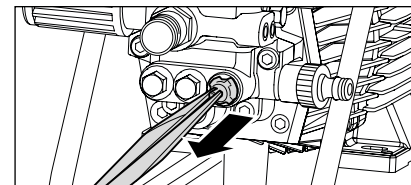
(Inside the stainless steel pressure gauge is no water but a filling with glycerin to damp the vibration of the pointer.)

Proceeding:

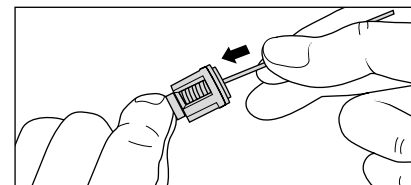
Unscrew all 6 valves, one after the other (hexagonal brass screws, 3 in a row, vertically and horizontally)



Take out valve body and O-ring by means of needle nose pliers. Check O-ring for damage. In case of a damage the O-ring has to be replaced.



Take a wire (paper clip) and clean valves under running water.



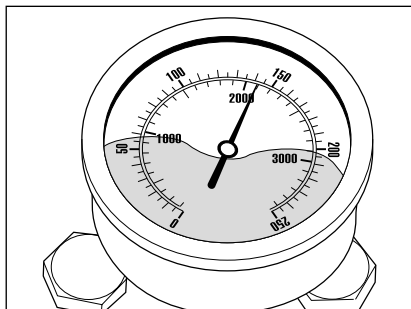
Do not forget the O-ring during reassembly!

Problem

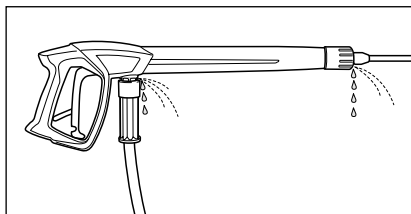
After closing the safety trigger gun the high-pressure cleaner keeps switching on and off. The stainless steel pressure gauge continuously displays full pressure.

Possible cause No. 1

Leakage.

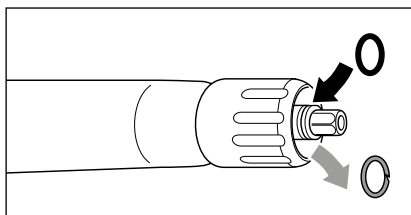


Having closed the trigger gun with safety catch, the high-pressure cleaner must shut down and the stainless steel pressure gauge must show „0“ bar. If not shut down and the stainless steel pressure gauge continuously shows full pressure, this could be due to leakage at the high-pressure pump, at the pressure switch, at the high-pressure hose or at the trigger gun with safety catch.



Proceeding:

Check connections from the high-pressure cleaner to the high-pressure hose and from the high-pressure hose to the safety trigger gun and also the connection between lance and safety trigger gun for tightness.



Switch off the high-pressure cleaner. Shortly press the trigger of the safety trigger gun to decrease the high-pressure cleaner. Unscrew high-pressure hose, safety trigger gun and lance and check the O-rings. If the O-rings are damaged they have to be replaced.



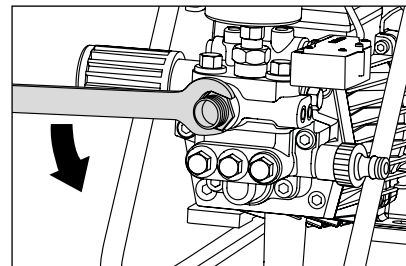
In case of a leakage there is no guarantee for possible consequential damages.

Problem

After closing the safety trigger gun the high-pressure cleaner keeps switching on and off. The stainless steel pressure gauge continuously displays full pressure.

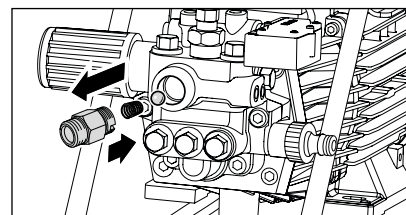
Possible cause No. 2

The non-return valve is defective.

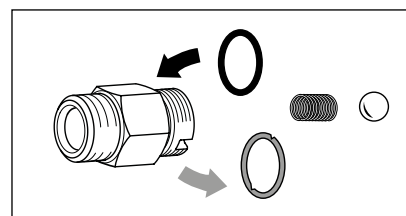


Proceeding:

Switch off the high-pressure cleaner and pull plug from socket. Stop water supply. Operate safety trigger gun catch several times to decrease the pressure. Unscrew pump outlet.



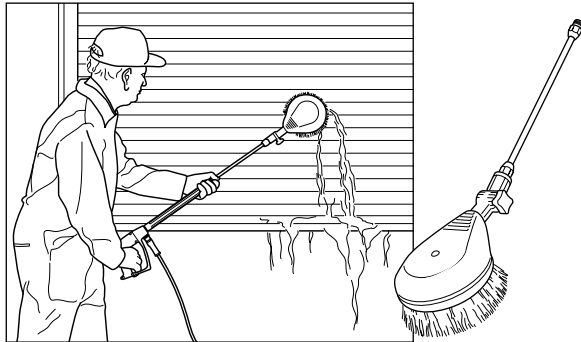
Remove check body and check O-Ring for soiling or damage. Also check seal seat inside pump housing for soiling or damage.



If sealing rings are defective replace O-rings at once.



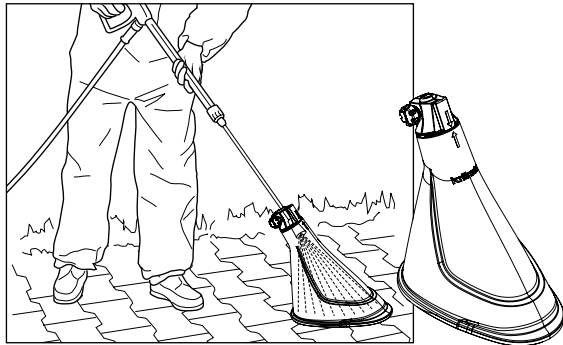
There is no guarantee if the high-pressure pump is damaged by defective O-rings due to air induction or lack of water (cavitation).



Rotating washing brush

- 400 mm
- Stainless steel extension
- Brush head Ø 180 mm
- Nozzle size 3.2 mm

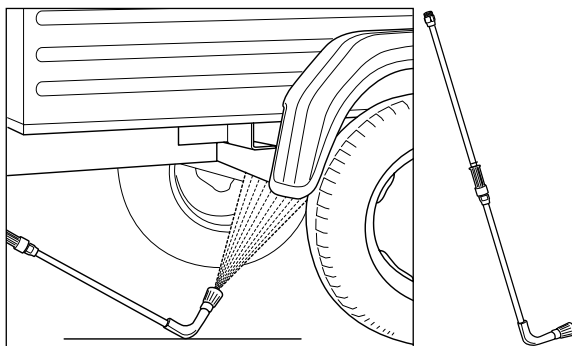
Item no.: 410501



Splash guard

- L: 280 mm x W: 190 mm
- For all washing lances

Item no.: 132600



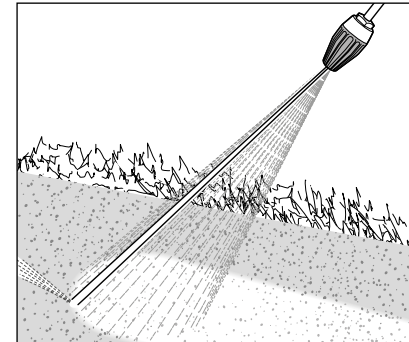
Underbody lance

- Stainless steel pipe
- 1000 mm extension
- Nozzle system 4007

Item no.: 41075



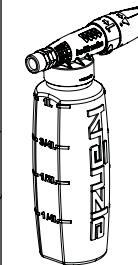
The high-pressure cleaner accessories are safety components!
Any warranty will be void if parts not authorised by Kränzle are used.



Dirtkiller lance

- Stainless steel pipe 500 mm

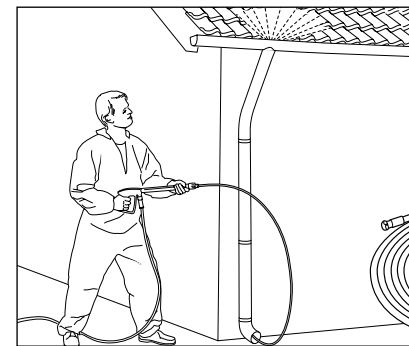
Item no.: 41570-028



Foam injector

- 1 litre, with container
- Dosage in 5 levels

Item no.: 135301



Pipe cleaning hose with nozzle

- In different lengths
- Nozzle system KN 055

10 m Item no.: 410581
15 m Item no.: 41058
20 m Item no.: 410582



Please indicate the technical data of the high-pressure cleaner (device type) when placing your order.

We here by declare that the design of the high-pressure cleaners:

K 1322 TS

Nominal flow: **420 l/h**

technical specifications available from: **Fa. Josef Kränzle GmbH & Co. KG
Manfred Bauer
Rudolf-Diesel-Str. 20, 89257 Illertissen**

comply with the following guidelines and their amendments for high-pressure cleaners: **Machinery Directive 2006/42/EC
EMC Directive 2014/30/EU
ROHS Directive 2011/65/EU
Outdoor Directive 2000/14/EC**

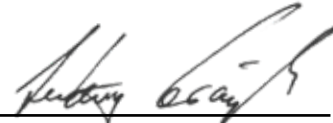
Noise pressure level, typical: **81.7 dB (A)**
Noise pressure level, guaranteed: **83 dB (A)**

Applied conformity assessment procedure: **Annex V, Outdoor Directive 2000/14/EC**

Applied specifications and standards: **EN 60335-1:2012/A13:2017
EN 60335-2-79:2012
EN 62233: 2008
EN 55014-1: 2006+A1: 2009+A2: 2011
EN 55014-2: 2015
EN 61000-3-2: 2014
EN 61000-3-3: 2013**

Josef Kränzle GmbH & Co. KG
Rudolf-Diesel-Straße 20
89257 Illertissen (Germany)

Illertissen, 2019-04-05



Ludwig Kränzle
(Managing director)

The warranty obligation of Josef Kränzle GmbH & Co. KG towards the dealer from whom you have purchased this Kränzle high-pressure cleaner (= product) applies to material faults only such as material and manufacturing defects.

Defects attributable to long and frequent use of the product, typically arising due to the age of the high-pressure cleaner and intensity of its use are defined as normal wear in respect of product components. Purchaser's rights to assert claims for such defects are ruled out. Parts subject to wear include in particular the pressure gauge, nozzle, valves, sleeves, high-pressure hose and spray equipment.

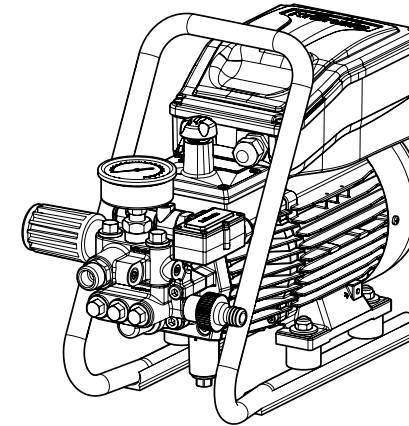
The product is to be operated in conformity with this operating manual. The operating manual is deemed to be part of the warranty provisions.

Any changes made to the safety devices of the product or instances of maloperation – such as exceeding the temperature and speed limits, undervoltage, insufficient water supply and sewage water, or failure to use the product for the intended purpose – may result in damage occurring to the product. Such damage is not deemed to constitute any material defect.

Should the use of accessories or spares other than original Kränzle component parts and original Kränzle replacement parts be the cause of defects on our product, this may lead to all warranty claims becoming null and void. Only the use of original Kränzle replacement parts matching the relevant Kränzle high-pressure cleaner provides adequate assurance for safe and trouble-free operation of the Kränzle high-pressure cleaner.

With regard to legal warranty claims, the limitation periods of the respective countries shall apply.

Where warranty claims apply to any other defects, please contact your local dealer, presenting the accessories together with your purchase receipt, or the nearest authorised service centre. This can also be found on the internet under **www.kraenzle.com**.

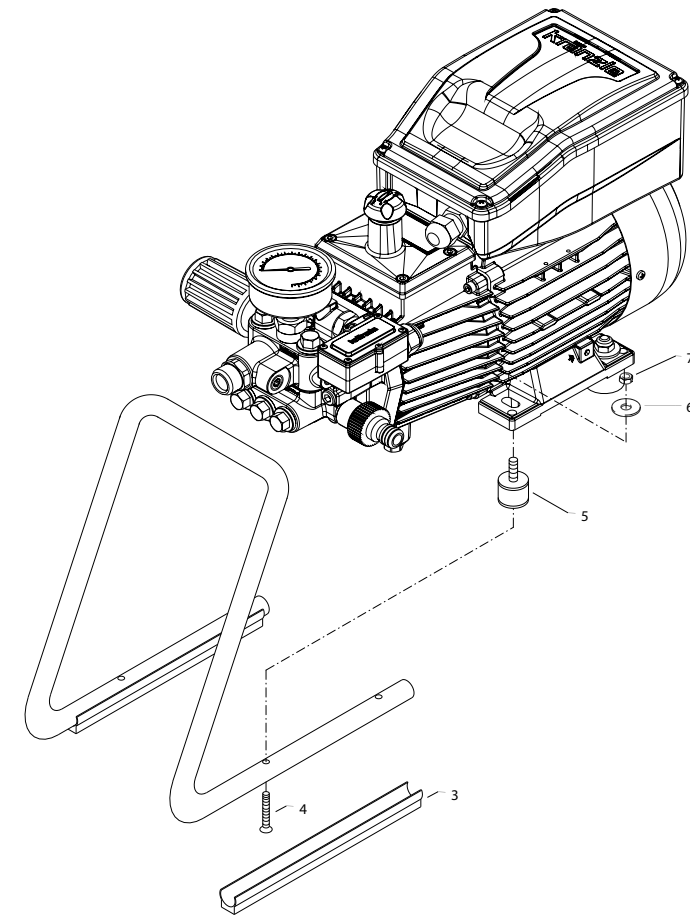
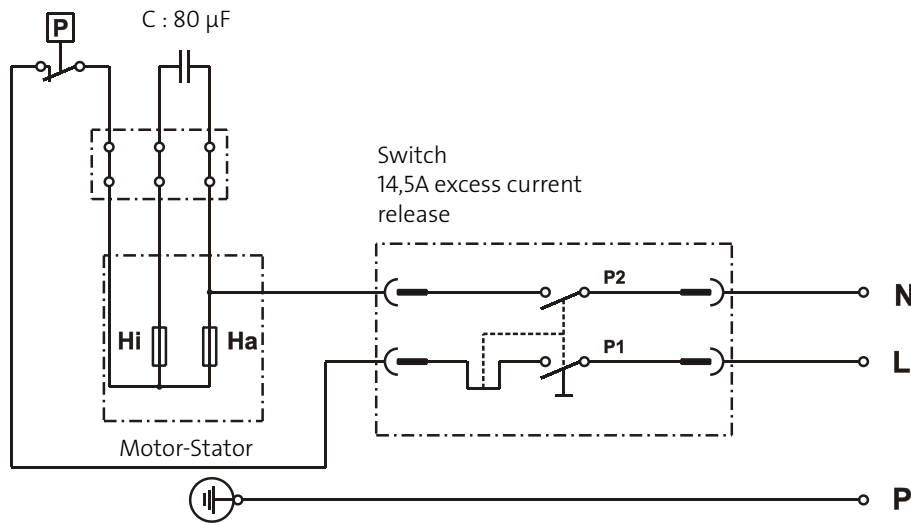


Technical data	K1322 TS
Operating press. fully adjustable	450-1300 psi (30-90 bar)
Nozzle size	04
Permissible overpressure	1500 psi (105 bar)
Water output	at 1700 U/min 2.1 Gpm
Water inlet temperature	max. 140 °F
Connected load	110-127 V, 14 A, 60 Hz
Power input	P 1 - 1.6 kW
Power output	P 2 - 1.5 HP
Weight	23 kg
Dim. incl. handle in mm	300 x 330 x 800
Acoustic level acc. to DIN 45 635	71 dB (A)
Acoustic power L_{WA}	84 dB (A)
Recoil at lance	ca. 27 N
Vibration at lance	1,9 m/s ²

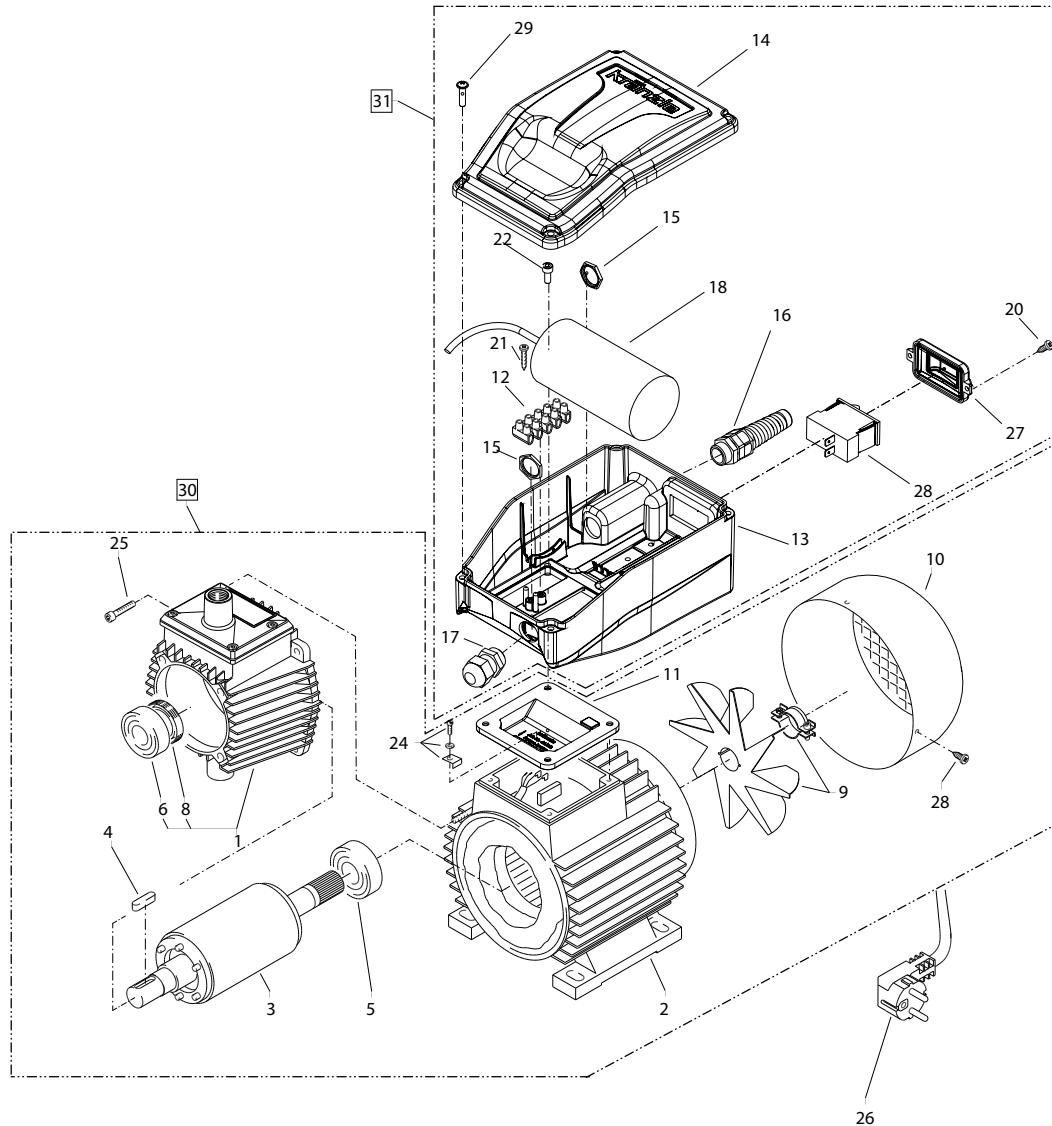
Permissible tolerance for figures $\pm 5\%$ acc. to VDMA uniform sheet 24411

Wiring diagram K1322 TS

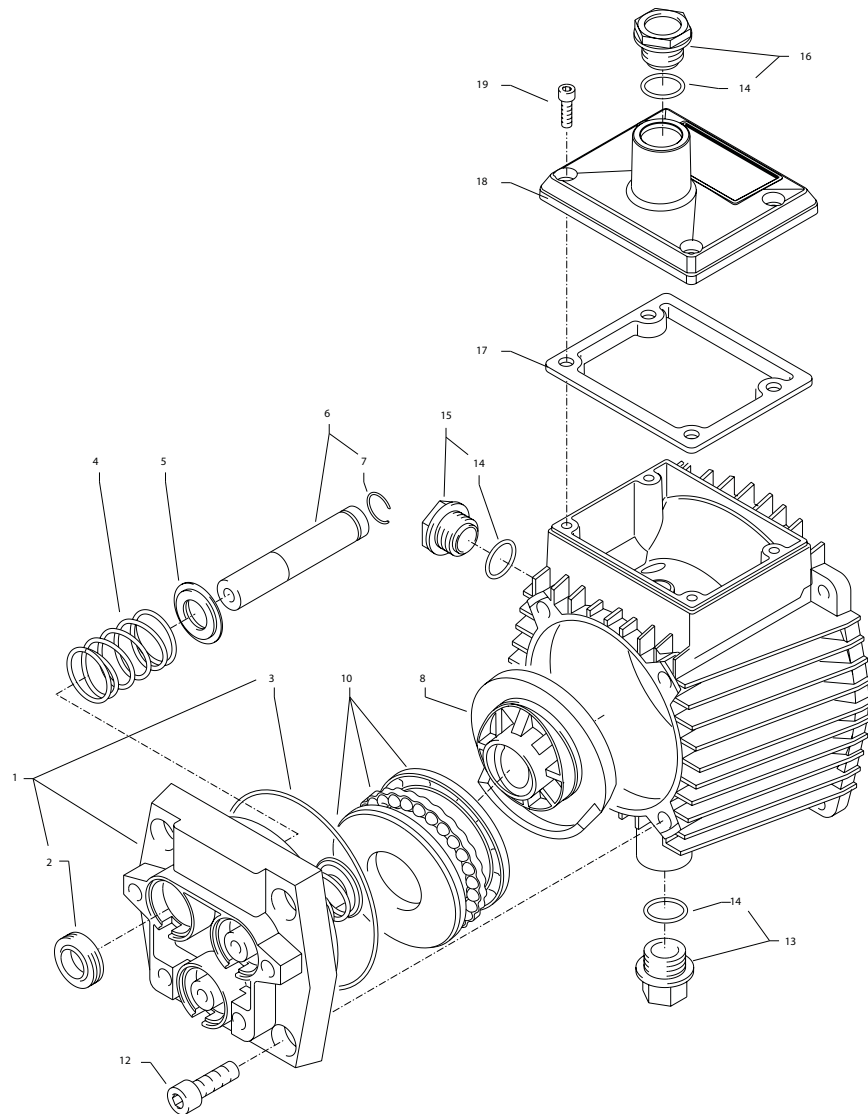
115 V, 60 HZ



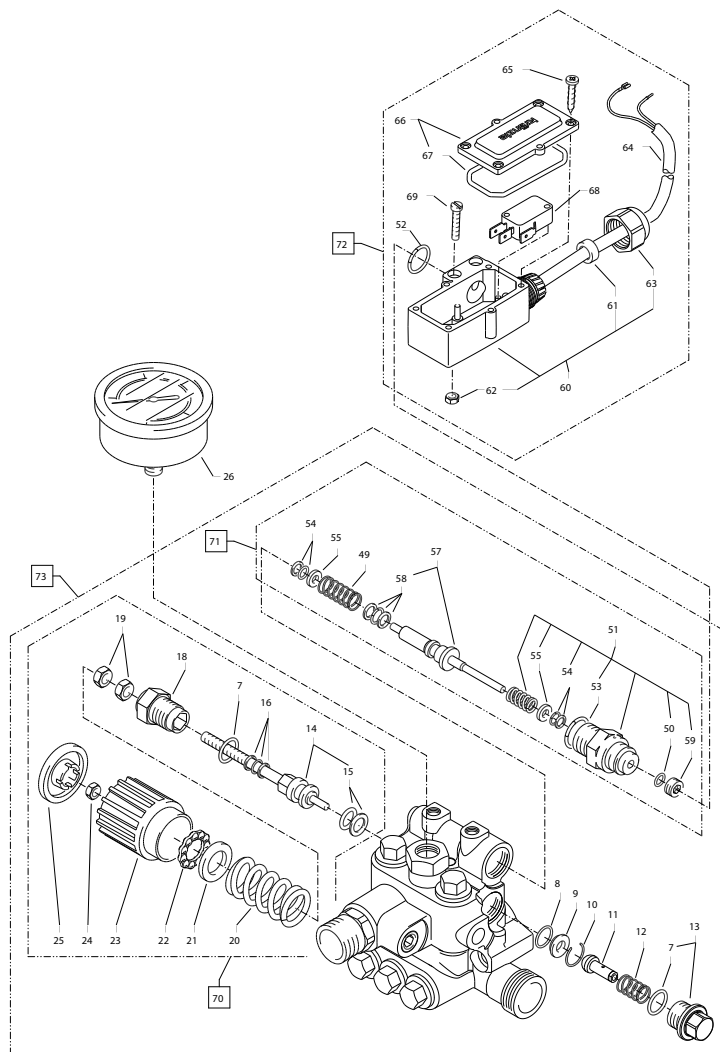
Position No	Bezeichnung Description	Stck. Qty.	Bestell-Nr. Item no.
2	Tragbügel	1	44581
3	Gummiprofilleiste (2 Stück)	2	410981
4	Senkschraube M6x20	1	434731
5	Gummipuffer 30 x 20	4	460231
6	Scheibe 8,4	4	41409
7	Mutter DIN985 M8	4	41410



Position No	Bezeichnung Description	Stck. Qty.	Bestell-Nr. Item no.
1	Ölgehäuse mit Dichtung, Deckel Öldichtung, Schulterlager	1	44501
2	Stator	1	230022
3	Motorwelle mit Rotor	1	43107
4	Passfeder 6 x 6 x 20	1	414831
5	Motor-Lager B-Seite Z-Lager	1	43025
6	Motor-Lager A-Seite Schulterl.	1	43026
8	Öldichtung 25 x 35 x 7	1	41024
9	Lüfterrad	1	41496
10	Lüfterhaube	1	41497
11	Flachdichtung	1	44513
12	Lüsterklemme 5-pol.	1	433261
13	Schaltkasten unterteil	1	411330
14	Schaltkasten Deckel mit Dichtung Dichtung für Schaltkastendeckel	1	411340
15	Gegenmutter PG 11	2	44521
16	Kabelverschraubung PG 11 mit Knickschutz	1	41091
17	Kabelverschraubung PG 11	1	41419
18	Kondensator 80 µF	1	43505
20	Blechschaube 3,5 x 9,5	2	41088
21	Blechschaube 2,9 x 16	2	43036
22	Blechschaube 4,8 x 16	4	40282
23	Blechschaube 3,9 x 9,5	4	41079
24	Erdungsschraube kpl.	1	43038
25	Innensechskantschraube M6 x 30	4	43037
26	Netzkabel für 7,0m, 15A, mit GFI	1	435121
27	Klemmrahmen mit Schalterabdichtung	1	43453
28	Schalter 14,5A	1	43458

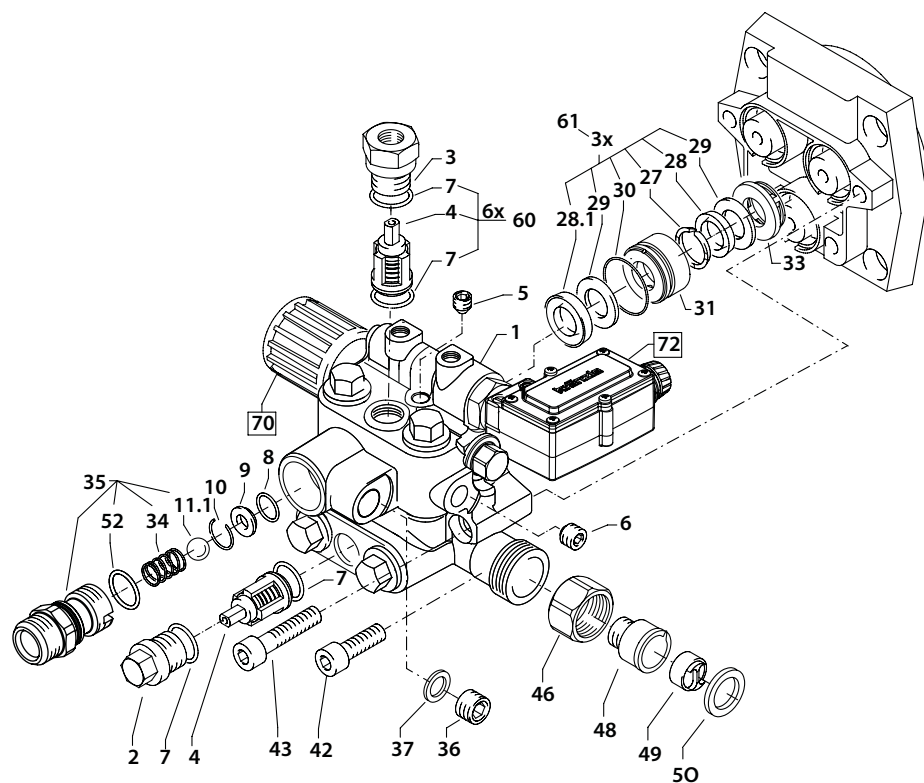


Position No	Bezeichnung Description	Stck. Qty.	Bestell-Nr. Item no.
1	Gehäuseplatte	1	43003
2	Öldichtung 14 x 24 x 7	3	41631
3	O-Ring 83 x 2	1	43039
4	Plungerfeder	3	43040
5	Federdruckscheibe 14 mm	3	43041
6	Plunger 14 mm AZ-L	3	49021
7	Sprengring 14 mm	3	41635
8	Taumelscheibe 12,1°	1	41028-12,1
10	Axial-Rillenkugellager 3-teilig	1	43486
12	Innensechskantschraube M 8 x 25	4	40053
13	Ölablassstopfen M18x1,5 mit Magnet	1	48020
14	O-Ring 12 x 2	3	150051
15	Ölschauglas	1	420181
16	Ölverschlussschraube rot	1	43437
17	Dichtung Öldeckel	1	445011
18	Deckel Ölgehäuse	1	445012
19	Innensechskantschraube M 5 x 12	4	410194



Position No	Bezeichnung Description	Stck. Qty.	Bestell-Nr. Item no.
7	O-Ring 12 x 2	2	150051
8	O-Ring 11 x 1,5	1	12256
9	Edelstahlsitz	1	14118
10	Sicherungsring	1	13147
11	Anlaufentlastungsventil	1	490411
12	Edelstahlfeder	1	49042
13	Verschlusschraube	1	49043
14	Steuerkolben 6 mm für AZ mit Dichtungen	1	44532
15	Parbaks für Kolben 14 mm	1	141231
16	Parbaks für Spindel 6 mm	1	141232
17	MS-Scheibe	1	43045
18	Kolbenführung 6 mm	1	141301
19	Mutter M 6	2	141271
20	Feder schwarz für AZ-Pumpe	1	43046
21	Federdruckscheibe	1	43047
22	Kugellager	1	43048
23	Handrad M 6 für AZ-Pumpe	1	43049
24	Mutter M 6 mit SW 8	1	43010
25	Kappe für Handrad AZ-Pumpe	1	43050
26	Manometer	1	15039
49	Druckfeder 1 x 8,6 x 30	1	40520
50	O-Ring 3,3 x 2,4	1	12136
51	Führungsteil Steuerstößel	1	490580
52	O-Ring 13 x 2,6	1	15017
53	O-Ring 14 x 2	1	43445
54	Parbaks 4 mm	2	121362
55	Stützscheibe	2	150151
56	Edelstahlfeder	1	15016
57	Steuerstößel lang	1	150102
58	Parbaks 7 mm	1	15013
59	Stopfen M10x1 (durchgebohrt)	1	133851
60	Gehäuse Elektroschalter	1	15200
61	Gummimanschette	1	15202
62	Sechskant-Mutter M 4	2	12138
63	Überwurfmutter PG 11	1	15203
64	Kabel 2 x 1,5 mm ²	1	49023
65	Blechschaube 2,8 x 16	6	15024
66	Deckel Elektroschalter	1	15201
67	O-Ring 44 x 2,5	1	15023
68	Mikroschalter	1	15018
69	Zylinderschraube M 4 x 22	2	15025

Position No	Bezeichnung Description	Stck. Qty.	Bestell-Nr. Item no.
70	Steuerkolben kpl. m. Handrad		445321
71	Rep.-Satz Druckschaltermechanik		150093
72	Druckschalter kpl. ohne Mechanik		44561
73	Ventilgehäuse kpl.		445912



Position No	Bezeichnung Description	Stck. Qty.	Bestell-Nr. Item no.
1	Ventilgehäuse	1	49020
2	Ventilstopfen	5	41011
3	Ventilstopfen mit R1/4" IG	1	410111
4	Ventile (grün)	6	416121
5	Dichtstopfen M 8 x 1	3	13158
6	Dichtstopfen M 10 x 1	1	43043
7	O-Ring 12 x 2	12	150051
8	O-Ring 11 x 1,5	1	12256
9	Edelstahlsitz	1	14118
10	Sicherungsring	1	13147
11.1	Edelstahlkugel 10,0 mm	1	12122
27	Stützring	3	41618
28	Manschette 14 x 24 x 5/2,5	3	41613
28.1	Gewebe-Manschette 14 x 24 x 5/2,5	3	416131
29	Backring 14 x 24	6	41614
30	O-Ring 24 x 2	3	49024
31	Leckagering	3	49022
33	Zwischenring mit Abstützung	3	43055
34	Rückschlagfeder	1	141201
35	Ausgangsteil mit Kugelrückschlagv.	1	405221
36	Verschlussstopfen	1	13181
37	Aluminium-Dichtring	2	13275
42	Innensechskantschr. M 8 x 25 - A2	2	40053
43	Innensechskantschr. M 8 x 45 - A2	2	41017
46	Überwurfmutter für US-Wassereingang	1	43518
48	Sauganschluss für US-Wassereingang	1	43517
49	Wasserfilter	1	410462
50	Gummi Dichtring	1	53519
52	O-Ring 18 x 2	1	40016
60	Rep.-Satz Ventile (grün)		416481
61	Reparatur-Satz Manschetten		49053
70	Steuerkolben kpl. m. Handrad		445321

High-pressure cleaners for industrial use have to be checked by an expert every 12 months! Inspection report on annually carried out Labour Safety Inspection (UVV) according to the Guidelines for Liquid Spray Equipment. (This inspection sheet serves as proof for the completion of the retest and must be kept carefully!)

Kränzle-test seals: Item no.: UVV200106

Owner: Type:
 Address: Serial no.:
 Repair order no.:

Scope of inspection	o.k.	yes	no	repaired
Type plate (on hand)				
Operating manual (on hand)				
Protective covering, Protective device				
Pressure line (tightness)				
Stainless steel pressure gauge (function)				
Float valve (tightness)				
Spraying device (marking)				
High-pressure hose / connector (damage, marking)				
Safety valve opens at 10 % / 20 % exceeding				
power supply cable (damage)				
Protective conductor (connected)				
On / Off switch				
Used chemicals				
Allowed chemicals				

Inspection data	determined value	set value
High-pressure nozzle		
Operating pressurebar		
Switch off pressurebar		
protective conductor resistance not exceeded / value		
Insulation		
Leakage current		
Safety trigger gun locked		

Inspection result (check)

- The high-pressure cleaner was checked by an expert according to the Guidelines for Liquid Spray Equipment, the defects found have been rectified so that the Labour Safety can be confirmed.
- The high-pressure cleaner was checked by an expert according to the Guidelines for Liquid Spray Equipment. The Labour Safety cannot be confirmed unless the defects found are rectified by repair or replacement of the faulty parts.

The next retest according to the Guidelines for Liquid Spray Equipment has to be carried out by: Month Year
 Place, Date Signature

High-pressure cleaners for industrial use have to be checked by an expert every 12 months! Inspection report on annually carried out Labour Safety Inspection (UVV) according to the Guidelines for Liquid Spray Equipment. (This inspection sheet serves as proof for the completion of the retest and must be kept carefully!)

Kränzle-test seals: Item no.: UVV200106

Owner: Type:
 Address: Serial no.:
 Repair order no.:

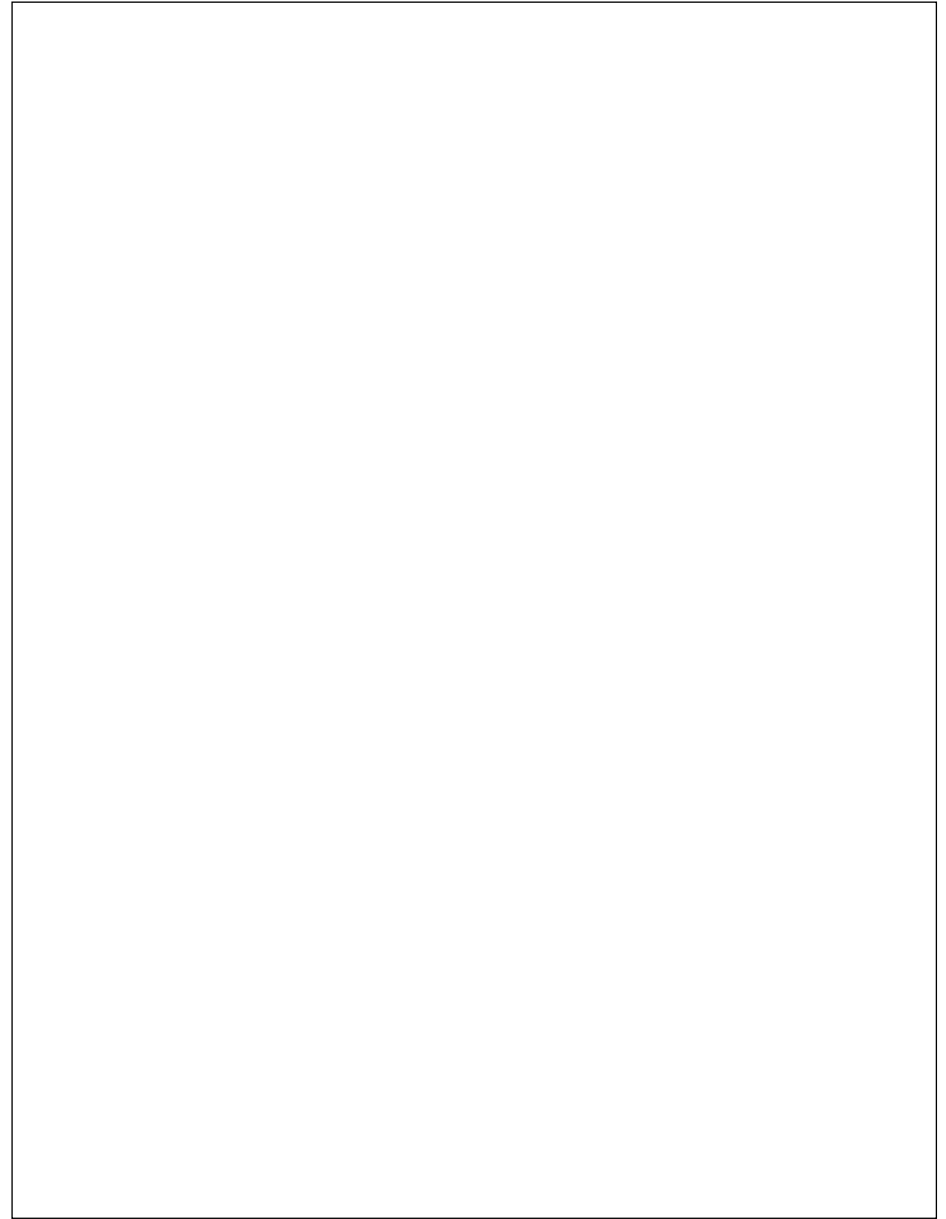
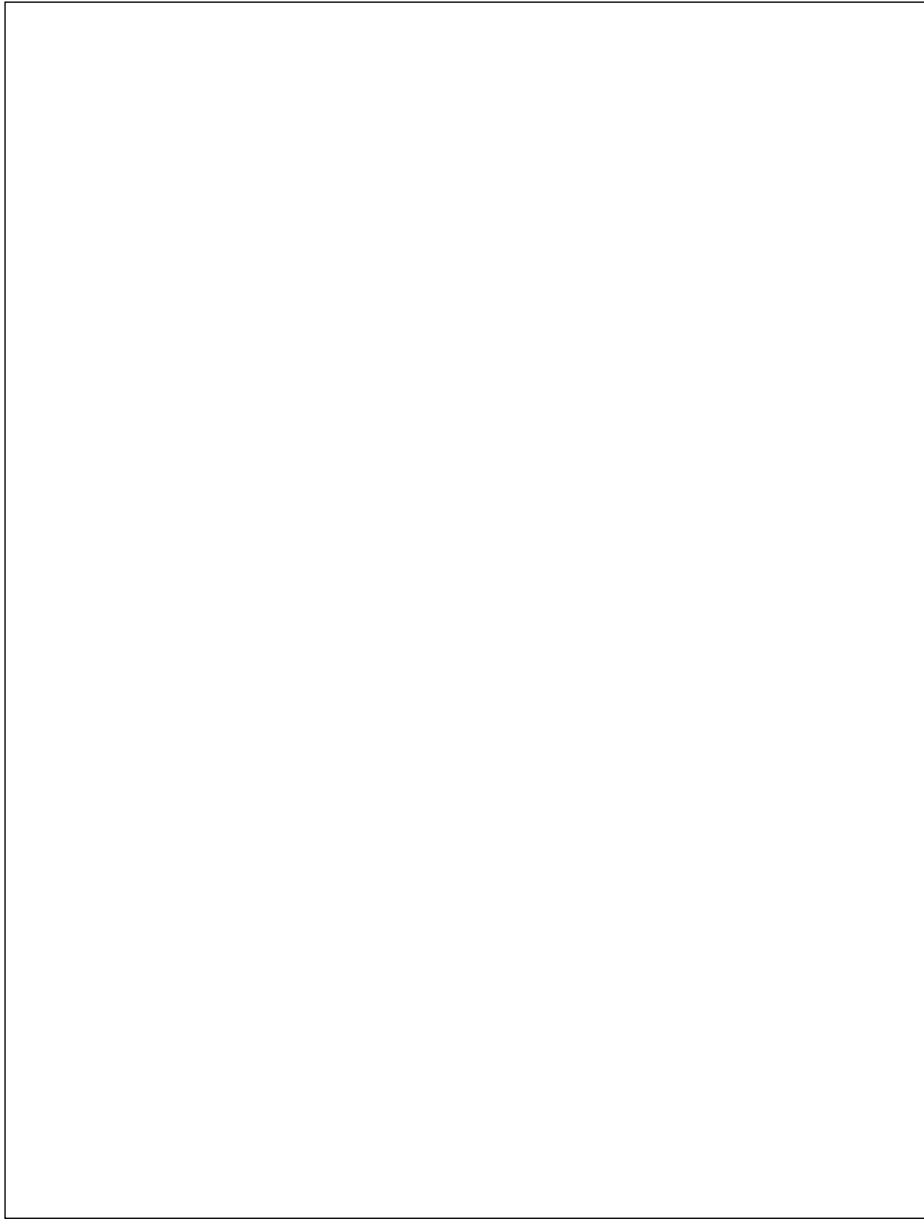
Scope of inspection	o.k.	yes	no	repaired
Type plate (on hand)				
Operating manual (on hand)				
Protective covering, Protective device				
Pressure line (tightness)				
Stainless steel pressure gauge (function)				
Float valve (tightness)				
Spraying device (marking)				
High-pressure hose / connector (damage, marking)				
Safety valve opens at 10 % / 20 % exceeding				
power supply cable (damage)				
Protective conductor (connected)				
On / Off switch				
Used chemicals				
Allowed chemicals				

Inspection data	determined value	set value
High-pressure nozzle		
Operating pressurebar		
Switch off pressurebar		
protective conductor resistance not exceeded / value		
Insulation		
Leakage current		
Safety trigger gun locked		

Inspection result (check)

- The high-pressure cleaner was checked by an expert according to the Guidelines for Liquid Spray Equipment, the defects found have been rectified so that the Labour Safety can be confirmed.
- The high-pressure cleaner was checked by an expert according to the Guidelines for Liquid Spray Equipment. The Labour Safety cannot be confirmed unless the defects found are rectified by repair or replacement of the faulty parts.

The next retest according to the Guidelines for Liquid Spray Equipment has to be carried out by: Month Year
 Place, Date Signature





Josef Kränzle GmbH & Co. KG

Rudolf-Diesel-Straße 20
89257 Illertissen (Germany)

sales@kraenzle.com

© Kranzle 31.07.2020 / Ord. no.: 308060 / Subject to technical modifications and errors.

■ **Made**
■ **in**
■ **Germany**