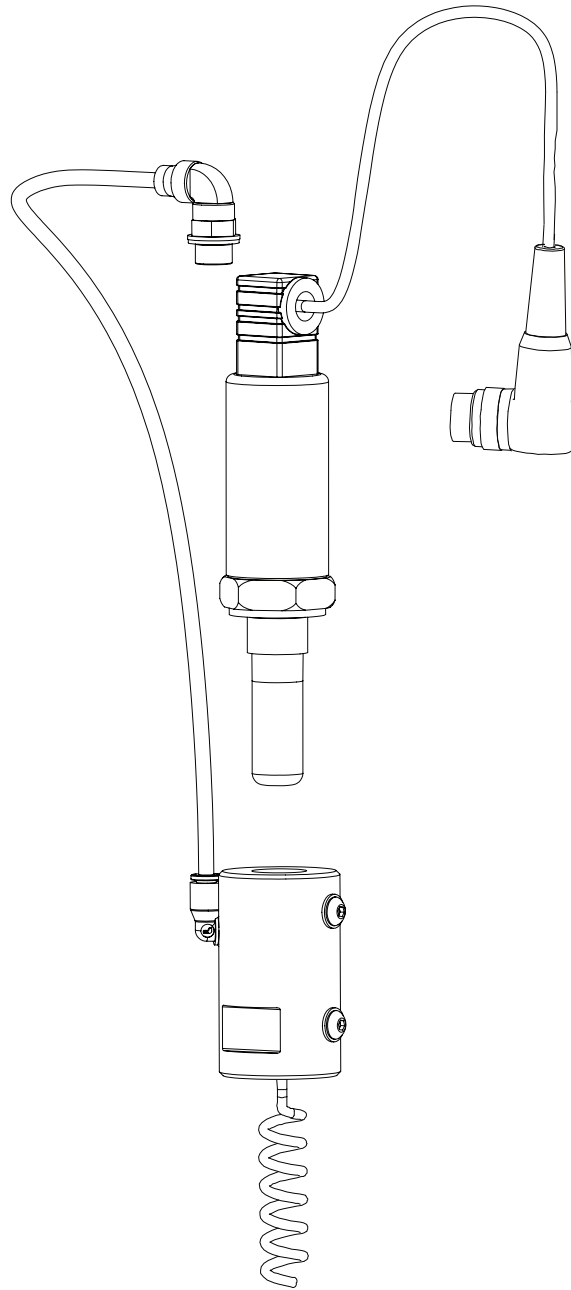


# nano

---



---

## **ES - ENERGY SAVING KIT INSTALLATION GUIDE**

Document	Issued	Created	Checked	Revision
17-100-0170	12/10/2016	O.Scorer	I.Cammock	1

## SUPPORT & MANUFACTURER DETAILS

### nano-purification solutions inc.

5509 David Cox Road  
Charlotte,  
NC 28269  
USA

Telephone: +1 (704) 897-2182  
Fax: +1 (704) 897-2183  
Internet: [www.n-psi.com](http://www.n-psi.com)  
E-mail: [support@n-psi.com](mailto:support@n-psi.com)



### nano-purification solutions ltd.

Dukesway,  
Team Valley Trading Estate,  
Gateshead,  
NE11 0PZ  
United Kingdom

Telephone: +44 (0) 191 497 7700  
Fax: +44 (0) 191 497 7709  
Internet: [www.n-psi.co.uk](http://www.n-psi.co.uk)  
E-mail: [enquiries@n-psi.co.uk](mailto:enquiries@n-psi.co.uk)

### Annotations:



**CAUTIONS:** indicate any situation or operation that may result in potential damage to the product, injury to the user, or render the product unsafe.



**NOTES:** highlight important sections of information where particular care and attention should be paid.

# GENERAL SAFETY



**For your own safety, when carrying out work on this product, all relevant national safety regulations must be complied with relating to pressurized and electrical systems.**

## **Intended use of the Product**

The product is exclusively intended for use with dry compressed air, which is free from bulk water, oil and solid matter constituents.



**This product is only designed to operate at pressures of between 58 - 232 psig (4 - 16 barg). It is not suitable for pressures in excess of 232 psig (16 barg).**

No modifications must be made to the product. Any modifications may reduce the operational safety of the product and invalidate the manufacturer's warranty, potentially resulting in damage to the product and serious personal injury.

## **Personnel**

Only authorized, competent and trained personnel are permitted to work on the product. This user guide is intended solely for such personnel and is to be used only as a reference; it should not be used to replace conventional training.

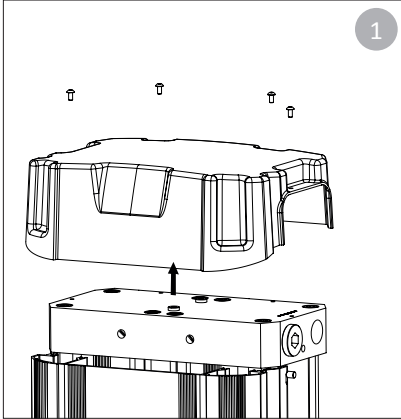
## **Safe handling**

Please ensure the relevant safe engineering practices and handling procedures are employed when handling, installing and operating the product. Ensure that the equipment is depressurized and electrically isolated, prior to carrying out any of the scheduled maintenance instructions specified within this user guide.

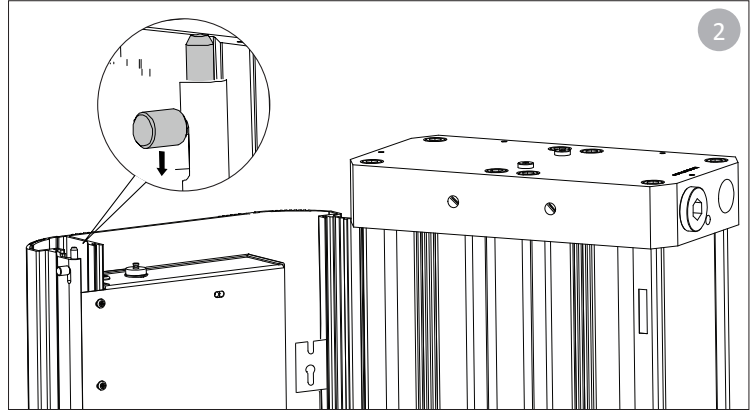
## SERIES 2 DRYER - DEWPOINT SENSOR INSTALLATION



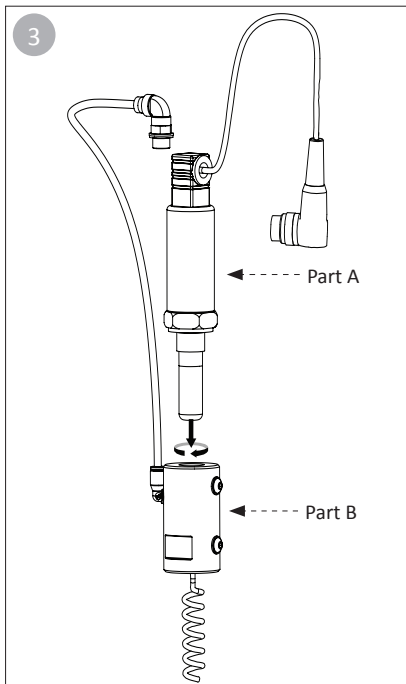
Ensure dryer is shut down, fully depressurised and isolated from compressed air and power supply before attempting installation.



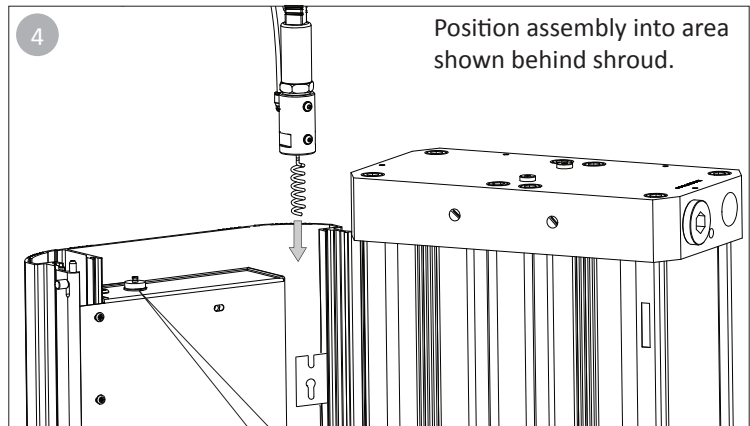
1  
Remove 4x M5 screws to remove top cover.



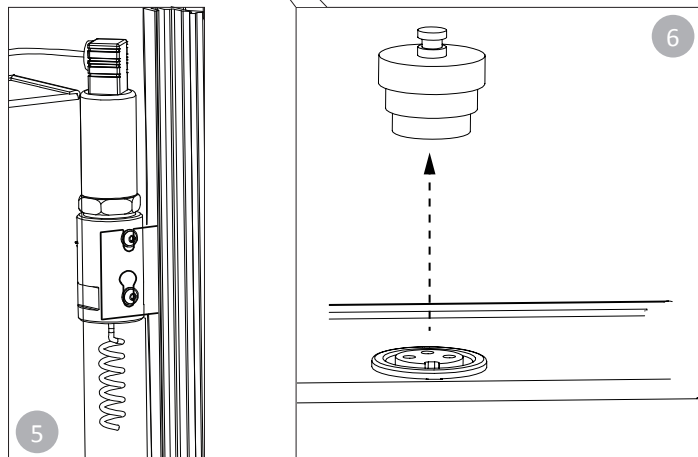
2  
Release catches located at top and bottom of shroud to open it.



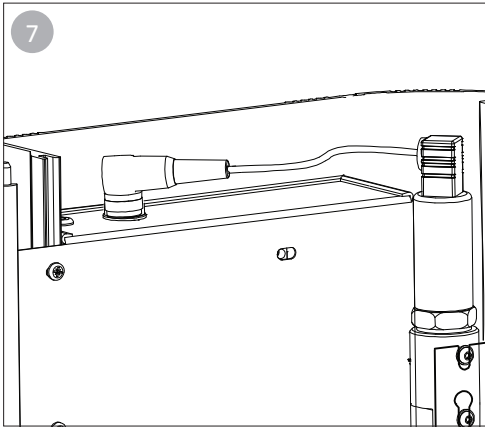
3  
Remove sensor plastic cover protector and complete dewpoint sensor assembly by screwing part A into part B.



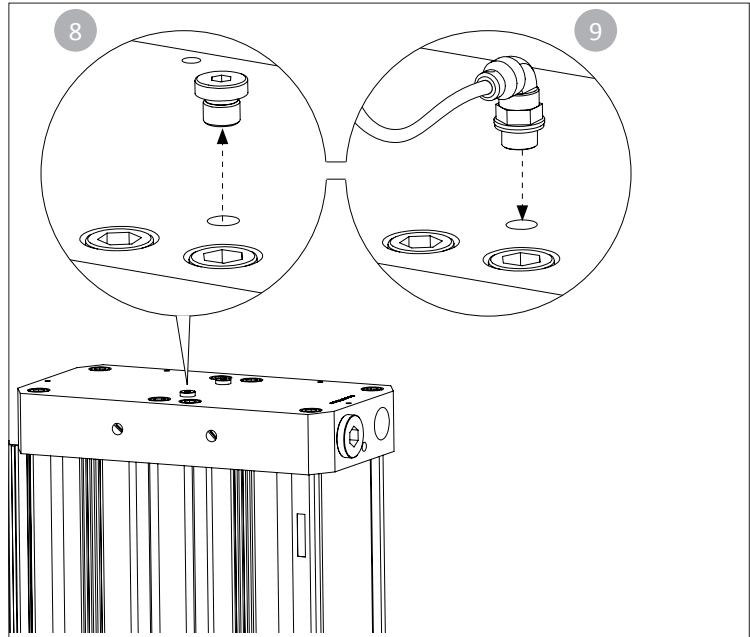
4  
Position assembly into area shown behind shroud.



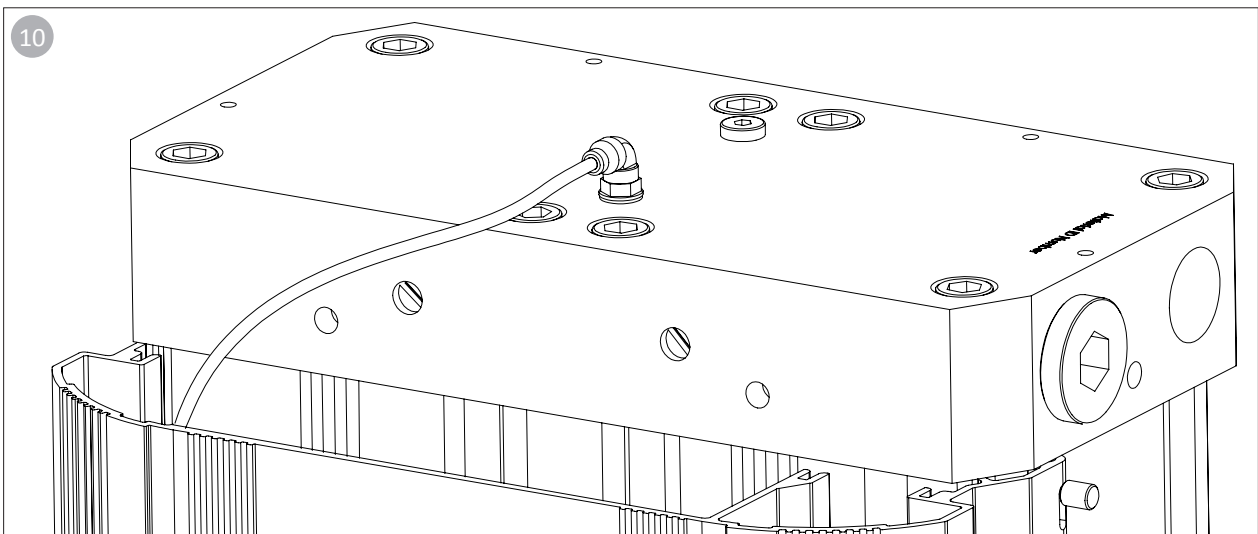
5  
6  
Slide assembly into screw slots and tighten screws, ensure pigtail tube on bottom of sensor passes through hole in bottom of controller ensuring it's not obstructed, then remove connector end cap.



Attach connector plug to connection point shown.



Remove blanking plug from top manifold and replace it with push-in elbow fitting.



Once elbow fitting is tightened, pressurise dryer and check for leaks.

When installation is complete close shroud, attach top cover and replace 4 x M5 screws to reassemble dryer.



**Note:** If any issue with installation, PLC will display an error message alerting there is a problem.



**nano-purification solutions inc.**

5509 David Cox Road  
Charlotte  
NC 28269  
USA

Telephone: +1 (704) 897-2182

Fax: +1 (704) 897-2183

Internet: [www.n-psi.com](http://www.n-psi.com)

E-mail: [support@n-psi.com](mailto:support@n-psi.com)

**nano-purification solutions ltd.**

Dukesway,  
Team Valley Trading Estate,  
Gateshead,  
NE11 0PZ  
United Kingdom

Telephone: +44 (0) 191 497 7700

Fax: +44 (0) 191 497 7709

Internet: [www.n-psi.co.uk](http://www.n-psi.co.uk)

E-mail: [enquiries@n-psi.co.uk](mailto:enquiries@n-psi.co.uk)