

M Series + DRD2

Project:	Type:
Product Code:	Date:

V102023



4" Round Downlight

Modular System Flexibility during and after installation with interchangeable modules, optics and trims

Quick Install Integrated driver and plug-and-play connection require no wiring

High Performance Precise lighting control without sacrificing stellar efficiency

Enhanced Dimming Smooth, Flicker-free dimming options down to 0.1%

INSTALLATION

Ceiling Thickness

New Construction: 1/2" up to 1 3/4"

Remodel: 5/8" up to 1 1/4"

Ceiling Material

Drywall, Millwork

TRIMS

Aperture

4"

Shape

Round

Style

Beveled, Hyperbolic, Pinhole, Flangeless, Wall Wash, Decorative

Finish

White, Black, Bronze, Clear Diffused, Warm Diffused, Custom

LIGHT OUTPUT & DISTRIBUTION

Module

Fixed

Lumens (Power)

750 lm (9.5W), 1000 lm (12.5W),
1250 lm (14.3W), 1500 lm (16.5W)

Color Quality

93+ CRI, 2-step SDCM

Color Temperature

- 2700K
- 3000K
- 3500K
- 4000K
- Warm Dim (3000K-1800K)
- Tunable White (4000K-1800K)
- Tunable White (6500K-2700K)

Beam Spread

- Narrow Spot (15°)
- Wide Flood (60°)
- Spot (25°)
- General (90°)
- Flood (40°)
- Linear Spread
- Soft Focus

POWER & CONTROLS

Input Voltage

120 / 277V

Dimming

0-10V (1%), TRIAC/ELV (1%), EcoSystem (1%)
DALI-2 (0.1%)

RATINGS & CERTIFICATIONS

Housing

- IC (Insulation Contact) Rated
- ASTM E283 Certified Air Tight
- Code compliant for use in fire-rated assemblies up to a maximum of 2-hours
- STC/IIC Sound Rated
- Chicago Plenum
- RoHS Compliant
- Module and Trim
 - UL Listed for Wet Location (Flanged Trims Only)
 - NSF Listed (White and Black Finish Only)

Warranty

5 year limited warranty; 50,000 hours



PRODUCT BUILDER - INTEGRATED TRIAC/ELV, 0-10V, & DALI-2

M SERIES HOUSING

PRODUCT CODE		INSTALLATION		SHAPE		RATING	
M4	4" Housing	NC	New Construction	R	Round	S	Standard
		CP	Chicago Plenum ¹			F	Fire Rated
		LT	Low Profile, TRIAC/ELV (3" Plenum) ^{2,3}				
		LO	Low Profile, 0-10V (3" Plenum) ^{2,3}				
		DH	Double Housing ^{1,4}				
		RM	Remodel				

M4CC	Concrete Tight ^{2,3,18}
-------------	----------------------------------

DRD MODULE

PRODUCT CODE		LUMENS		CRI		CCT		BEAM SPREAD		DIMMING	
DRD2M	Fixed	07	750 lm	9	93+ CRI	27	2700K	GA	General Ambient (90°+)	T	TRIAC/ELV
		10	1000 lm			30	3000K	NS	Narrow Spot (15°) ⁷	O	0-10V
		12	1250 lm			35	3500K	SP	Spot (25°)	D	DALI-2 ⁸
		15	1500 lm			40	4000K	FL	Flood (40°)		
						3W	Warm Dim ⁵ (3000K–1800K)	WF	Wide Flood (60°)		
						T1	Tunable White ⁶ (4000K–1800K)	LS	Linear Spread		
						T2	Tunable White ⁶ (6500K–2700K)	SF	Soft Focus		

M SERIES TRIM

PRODUCT CODE		FINISH		OPTION	
M4TRS	Beveled	WH	White	[Blank]	None
M4TRH	Hyperbolic ⁹	BK	Black	DOF	Decorative: Open, Frosted ^{4,12,13,16}
M4TRP	Pinhole ^{4,9}	BZ	Bronze	DCF	Decorative: Closed, Frosted ^{4,12,13,16}
M4TRL	Wall Wash ^{3,10}	CW	Clear Diffuse, White Flanged	DCC	Decorative: Closed, Clear, Frosted Side ^{4,12,13,16}
M4TRC	Square Conversion ¹¹	WW	Warm Diffuse, White Flanged	DCCF	Decorative: Closed, Clear, Frosted Inside ^{4,12,13,16}
		CC	Custom Color	FL	Flangeless ^{9,14,17}
				DF	Dead Front ^{12,15,16}

M4XRMUD	Flangeless Mud Plate <i>(Required for Flangeless Trim drywall installation)</i>
M4KRTEMPLATE	Flangeless Wood Template <i>(Recommended for Flangeless Trim wood installation)</i>

¹ Only available in Standard rating

² Not Available for DALI-2

³ Not available for 1500 lm

⁴ Only available for 750 lm or 1000 lm

⁵ Only available in 1000 lm

⁶ Only available in 1000 lm, DALI-2

⁷ Not available in Warm Dim CCT or Tunable White

⁸ Only available in 1000 lm Tunable White or Warm Dim and 1250 lm static CCT

⁹ Only available in White, Black, Bronze or Custom Color finish

¹⁰ Recommended with Spot beam spread with Warm Dim CCT or Tunable White and Narrow Spot beam spread for all other CCT

¹¹ Only available in White, Black, or Custom Color finish

¹² Only available in Beveled style

¹³ Only available for General Ambient beam spread

¹⁴ Not available for Square Conversion, Decorative, or Concrete Construction

¹⁵ Only available for 750 lm

¹⁶ Only available in White and Custom Color Finish

¹⁷ Mudplate is required for all FL trims except for wood ceiling applications

¹⁸ Not available for flangeless applications

PRODUCT BUILDER - ECOSYSTEM DIMMING OR EMERGENCY LIGHTING

M SERIES HOUSING

PRODUCT CODE		INSTALLATION		SHAPE		RATING		LUMEN		DIMMING		OPTION	
M4	4" Housing	NC	New Construction	R	Round	S	Standard	07	750 lm	C	Lutron EcoSystem ¹	[Blank]	None
						F	Fire Rated	10	1000 lm	T	TRIAC/ELV for EM only	EM	EM Driver, Integrated Switch ²
								12	1250 lm	O	0-10V for EM only	ES	EM Driver, Remote Switch

DRD MODULE

PRODUCT CODE		LUMENS		CRI		CCT		BEAM SPREAD		DIMMING	
DRD2M	Fixed	07	750 lm	9	93+ CRI	27	2700K	GA	General Ambient (90°+)	A	Alternate
		10	1000 lm			30	3000K	NS	Narrow Spot (15°) ⁴		
		12	1250 lm			35	3500K	SP	Spot (25°)		
						40	4000K	FL	Flood (40°)		
						3W	Warm Dim ³	WF	Wide Flood (60°)		
								LS	Linear Spread		
								SF	Soft Focus		

M SERIES TRIM

PRODUCT CODE		FINISH		OPTION	
M4TRS	Beveled	WH	White	[Blank]	None
M4TRH	Hyperbolic ⁵	BK	Black	DOF	Decorative: Open, Frosted ^{6,9,10,11}
M4TRP	Pinhole ^{5,6}	BZ	Bronze	DCF	Decorative: Closed, Frosted ^{6,9,10,11}
M4TRL	Wall Wash ⁷	CW	Clear Diffuse, White Flanged	DCC	Decorative: Closed, Clear, Frosted Side ^{6,9,10,11}
M4TRC	Square Conversion ⁸	WW	Warm Diffuse, White Flanged	DCCF	Decorative: Closed, Clear, Frosted Inside ^{6,9,10,11}
		CC	Custom Color	FL	Flangeless ^{5,12}
				DF	Dead Front ^{9,10,13}
				EM	Integrated Test Switch ^{2,9,14}

M4XRMUD	Flangeless Mud Plate <i>(Required for Flangeless Trim drywall installation)</i>
M4KRTEMPLATE	Flangeless Wood Template <i>(Recommended for Flangeless Trim wood installation)</i>

¹ Lutron EcoSystem refers to LDE1 Hi-lume 1% EcoSystem LED driver with Soft-on, Fade-to-Black™

² Integrated Test Switch option required for both housing and trim

³ Only available in 1000 lm

⁴ Not available in Warm Dim CCT

⁵ Only available in White, Black, Bronze or Custom Color finish

⁶ Only available for 750 lm or 1000 lm

⁷ Recommended with Spot beam spread with Warm Dim or Tunable White and Narrow Spot beam spread for static CCT

⁸ Only available in White, Black Custom Color finish

⁹ Only available in Beveled style

¹⁰ Only available in White or Custom Color finish

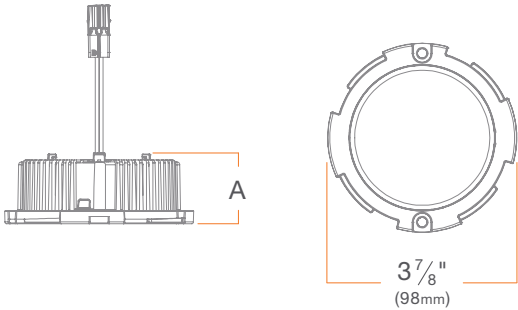
¹¹ Only available for General Ambient beam spread

¹² Not available for Square Conversion or Decorative

¹³ Only available for 750 lm

¹⁴ Only available in White, Clear Diffuse, Warm Diffuse or Custom Color finish

MODULE



Measurements	A
Standard	1 7/16" [37 mm]
1500 lm & DALI-2	2" [50 mm]

SUMMARY

	STATIC CCT	WARM DIM	TUNABLE WHITE
CCT	2700K, 3000K, 3500K, 4000K	3000K - 1800K	4000K - 1800K; 6500K - 2700K
LUMENS (POWER)	750 lm (9.7W), 1000 lm (12.0W) 1250 lm (14.3W), 1500lm (16.5W)	1000 lm (12.0W)	1000 lm (14W)
EFFICACY	77 lm/W, 83 lm/W, 87 lm/W, 91 lm/W	83 lm/W	71 lm/W
COLOR QUALITY	93+ CRI ¹ , 2-step SDCM	93+ CRI ¹ , 2-step SDCM	93+ CRI ¹ , 3-step SDCM
BEAM SPREAD	General Ambient (90°+), Narrow Spot (15°), Spot (25°), Flood (40°), Linear Spread (40° x 20°), Soft Focus	General Ambient (90°+), Spot (25°), Flood (40°), Linear Spread (40° x 20°), Soft Focus	General Ambient (90°+), Spot (25°), Flood (40°), Linear Spread (40° x 20°), Soft Focus
DIMMING	0-10V, TRIAC/ELV, DALI-2	0-10V, TRIAC/ELV, DALI-2	DALI-2
LED CHIP	Cree	Bridgelux	Bridgelux
LISTINGS	ENERGY STAR [®] qualified ² , California Title 24 2016-2022 JA8-E compliant, UL Listed for Wet Location, UL Certified US-CA, Declare, RoHS compliant, NSF/ANSI 2 listed, suitable for splash-zone, DALI-2 Compliant		

¹ Tested in accordance to IESNA LM-79-2008
² Refer to ENERGY STAR Certified light fixtures database

ADDITIONAL

INPUT VOLTAGE: 120/277V, 50/60Hz
MAX INPUT CURRENT (120V): 0.13 amps
MAX INPUT CURRENT (277V): 0.065 amps
CONNECTOR: PowerPlug[®] Luminaire Disconnect Model 182, 6-pin Molex

POWER FACTOR: Greater than 0.9
TOTAL HARMONIC DISTORTION: Less than 20%
AMBIENT OPERATING TEMPERATURE: -20°C to 40°C
WARRANTY: 5 year limited warranty; 50,000 hours at 70% lumen maintenance

HOUSING



M Series

New Construction

SUMMARY

JUNCTION BOX: Equipped with 10 knockouts: two 1/2" and two 3/4" trade size knockouts on top, two 1/2" trade size knockouts on side, four romex knockouts on top. Approved for 8 (four in, four out) #12 AWG 70°C.

MOUNTING: Pre-installed mounting brackets allow vertical adjustment of bar hangers up to 1 1/4".

CEILING: Standard Version (Deep): 1/2" to 1- 3/4"
Low Profile Version: 1/2" to 1- 1/4"

CUTOUT: 4 1/4" (108mm) round opening

LISTINGS: Metallic outlet box certified UL514A, code compliant for use in appropriate fire-rated assemblies for up to 2-hours (Fire Rated only), STC/IIC Sound Rated, ASTM E283 certified Air Tight, IC (Insulation Contact) rated

WARRANTY: 5 year limited warranty

ALTERNATE DIMMING SPECIFICATIONS

INPUT VOLTAGE: 120/277V, 50/60Hz

MAX INPUT CURRENT (120V): 0.130 amps

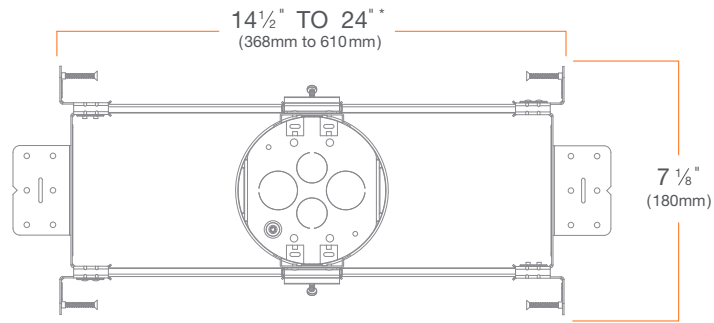
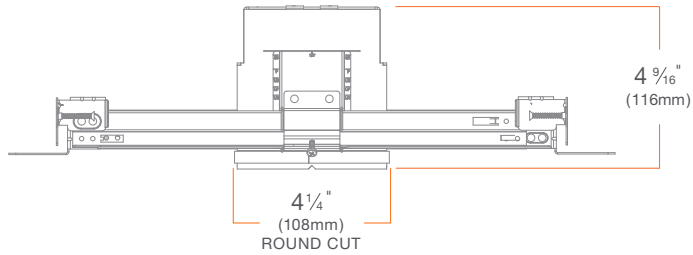
MAX INPUT CURRENT (277V): 0.065 amps

POWER FACTOR: Greater than 0.9

TOTAL HARMONIC DISTORTION: Less than 20%

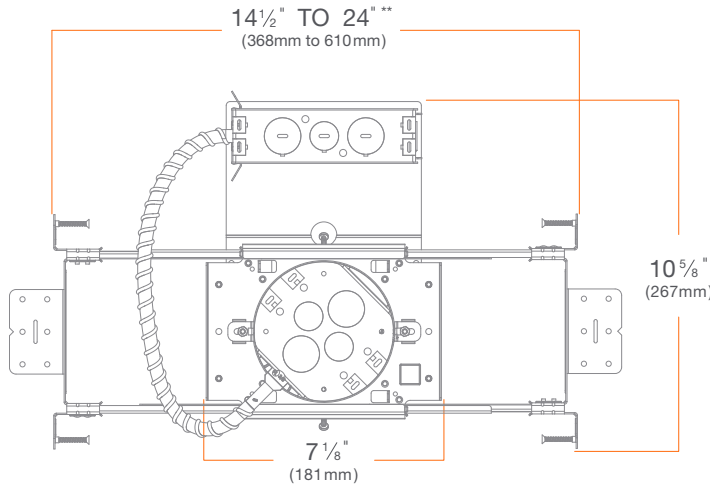
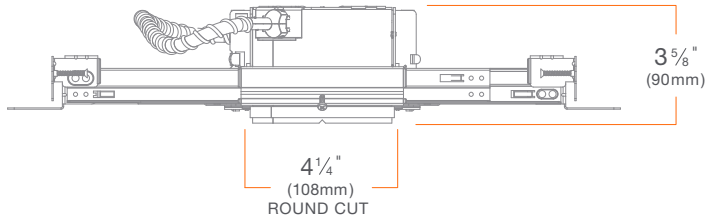
New Construction

- M4NCRS (Standard)
- M4NCRF (Fire Rated)
- M4CPRS (Chicago Plenum)



Low-Profile

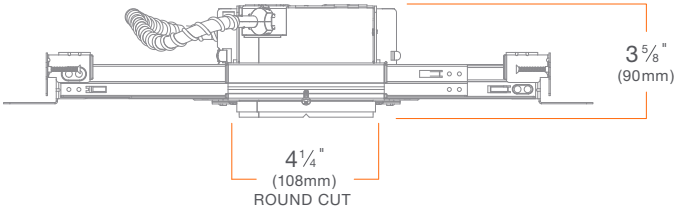
- M4LTRS (Standard, TRIAC/ELV)
- M4LTRF (Fire Rated, TRIAC/ELV)
- M4LORS (Standard, 0-10V)
- M4LORF (Fire Rated, 0-10V)



* Can be field cut to minimum 7 1/2" (191mm)
 ** Can be field cut to minimum 9" (229mm)

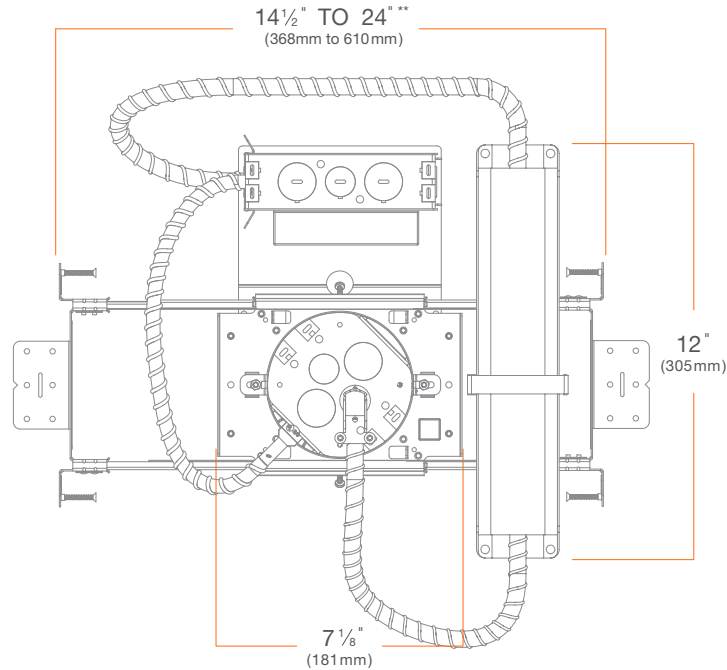
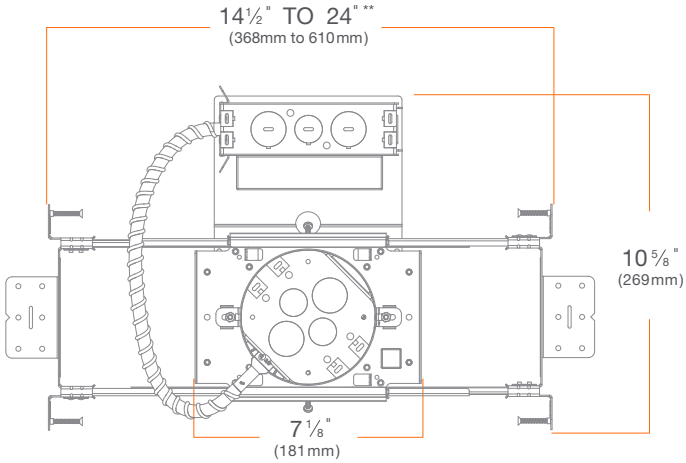
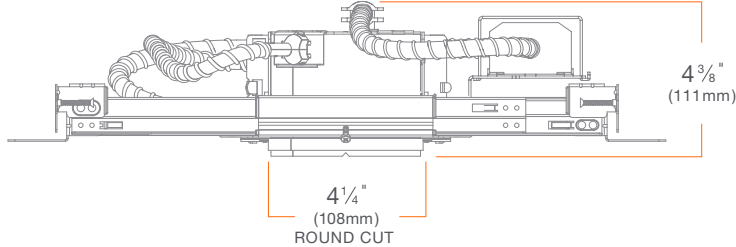
EcoSystem

- M4NCRSxxC (Standard)
- M4NCRFxxC (Fire Rated)



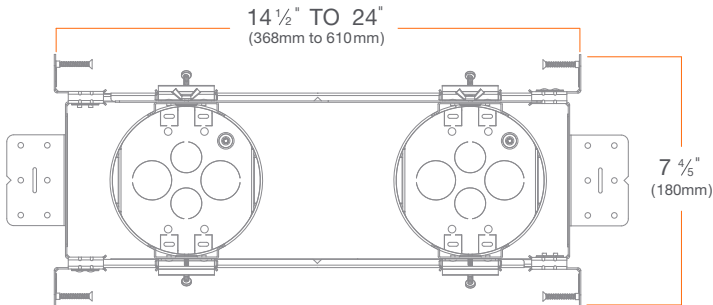
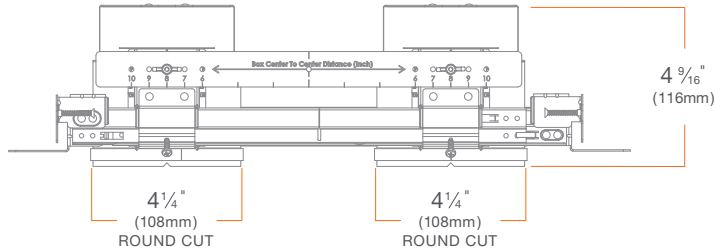
Emergency Lighting

- M4NCRSxxxEM (Standard)
- M4NCRFxxxEM (Fire Rated)



Double Housing

- M4DHRS



** Can be field cut to minimum 9" (229mm)

HOUSING



M Series

Remodel

M4RMRS (Standard)

M4RMRF (Fire Rated)

SUMMARY

JUNCTION BOX: Equipped with 8 knockouts: two 1/2" and two 3/4" trade size knockouts on top, four romex knockouts on top. Approved for 8 (four in, four out) #12 AWG 70°C.

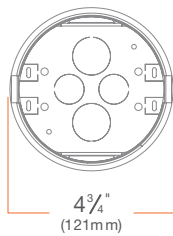
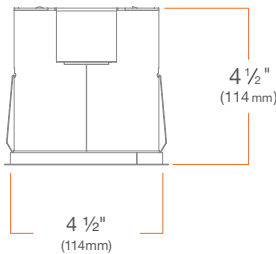
MOUNTING: Pre-installed mounting spring clips

CEILING: 5/8" up to 1 1/4"

CUTOUT: 4 1/2" (114mm) round opening

LISTINGS: Metallic outlet box certified UL514A, code compliant for use in appropriate fire-rated assemblies for up to 2-hours (Fire Rated only), STC/IIC Sound Rated, ASTM E283 certified Air Tight, IC (Insulation Contact) rated

WARRANTY: 5 year limited warranty



HOUSING



M Series

Concrete Construction

M4CC

SUMMARY

JUNCTION BOX: Equipped with (4) trade size concentric knockouts ($\frac{3}{4}$ " + $\frac{1}{2}$ "") to allow straight conduit runs. Approved for 8 (four in, four out) #12 AWG 90°C.

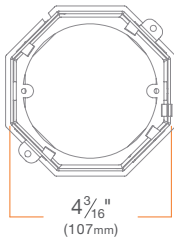
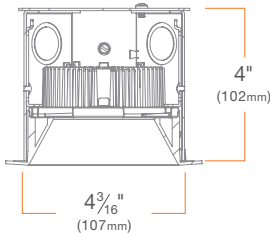
MOUNTING: (2) external tabs for wood, steel or concrete mounting

COVER: Removable top cover for easy access to electrical wiring work prior to concrete pour

APPLICATION: Poured deck (floor) high-rise new construction

LISTINGS: Metallic outlet box certified UL514A, concrete tight, code compliant for use in appropriate fire-rated assemblies for up to 2-hours, STC/IIC Sound Rated, ASTM E283 certified Air Tight

WARRANTY: 5 year limited warranty



TRIMS



M Series

4" Round Trims

M4TR

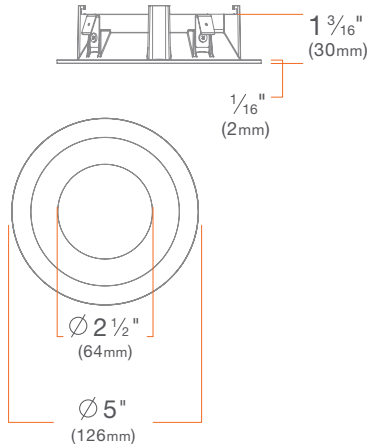
SUMMARY

CONSTRUCTION: Die-cast aluminum

INSTALLATION: Twist & Lock

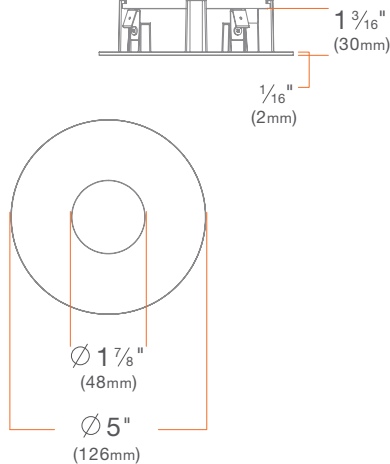
Beveled Trim

M4TRSWH



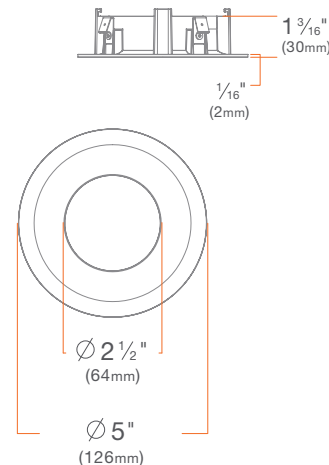
Pinhole Trim

M4TRPWH



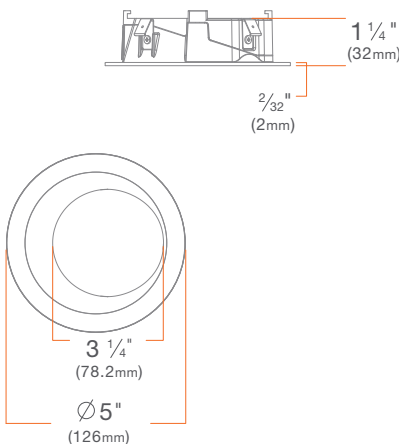
Hyperbolic Trim

M4TRHWH



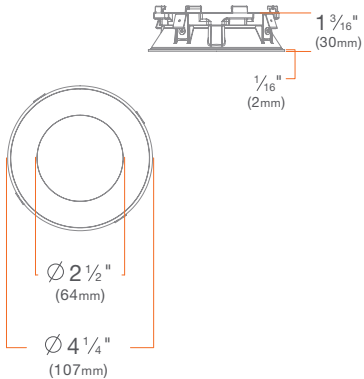
Wall Wash Trim

M4TRLWH



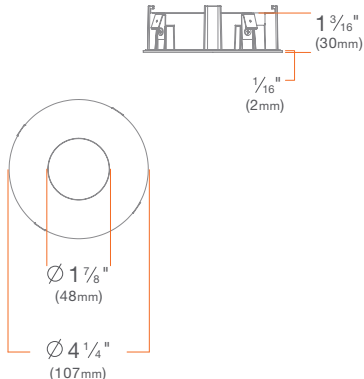
Beveled Flangeless Trim

M4TRSWHFL



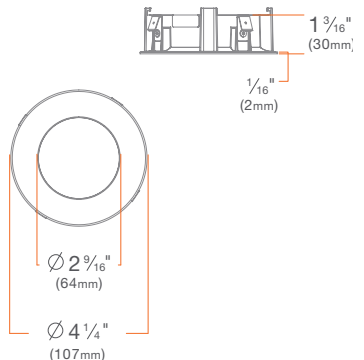
Pinhole Flangeless Trim

M4TRPWHFL



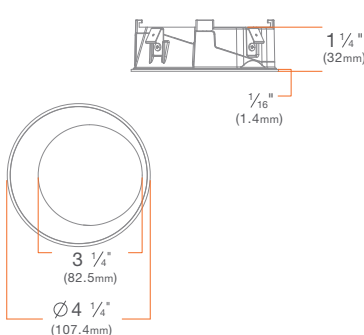
Hyperbolic Flangeless Trim

M4TRHWHFL



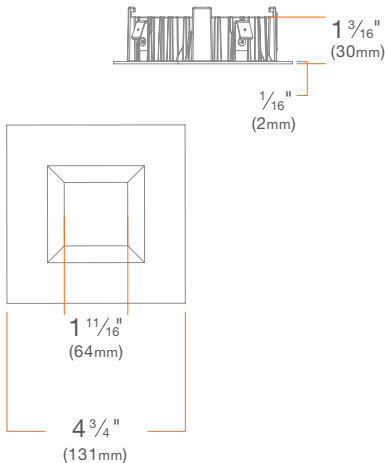
Wall Wash Flangeless Trim

M4TRLWHFL



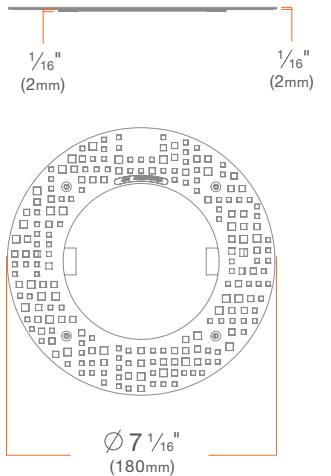
Square Conversion Trim

M4TRCWH



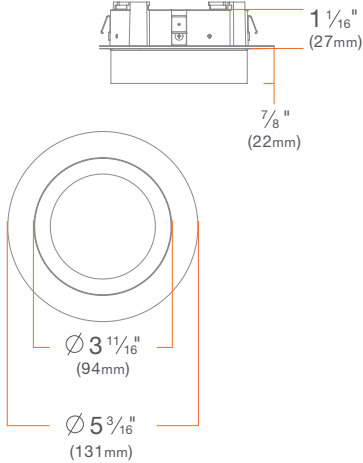
Flangeless Mud Plate

M4XRMUD



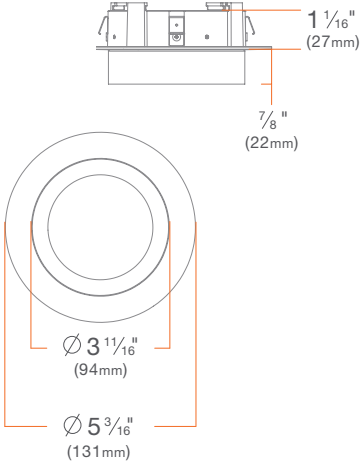
Decorative Closed Trim

Frosted: **M4TRSWHDCF**
 Clear, Frosted Inside: **M4TRSWHDCC**
 Clear, Frosted Sides: **M4TRSWHDCCF**



Decorative Open Trim

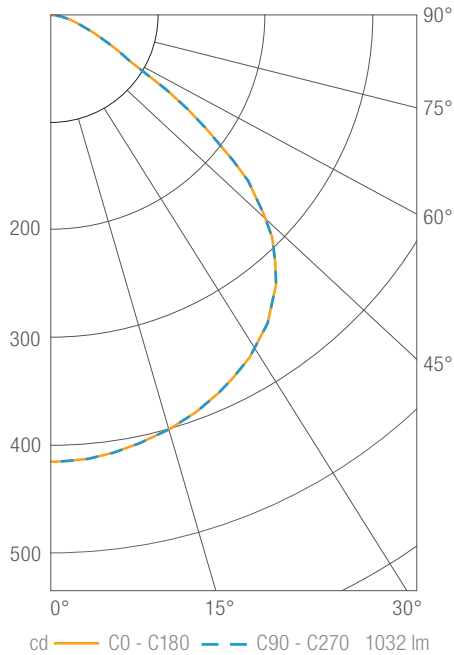
Frosted: **M4TRSWHDOF**



PHOTOMETRY

DRD2 1000 lm, 3000K, General Ambient

DRD2M10930GA



Luminous Intensity

Gamma	C 0°
0°	416
5°	415
10°	410
15°	403
20°	394
25°	382
30°	369
35°	351
40°	327
45°	291
50°	240
55°	162
60°	84
65°	54
70°	33
75°	21
80°	12
85°	6
90°	1

Values in candela

Zonal Lumen Summary

Zone	Lumens	Luminaire %
0-30	333	32
0-40	557	54
0-60	942	91
0-90	1024	99
0-180	1032	100

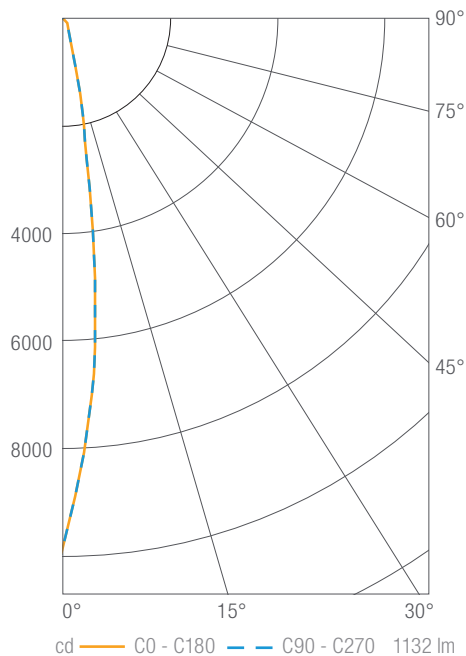
Illuminance Chart

Distance from LED	Foot Candles	Diameter
3'	46	7.8'
6'	12	15.5'
9'	5	23.3'
12'	3	31.1'

Beam Angle: 100°

DRD2 1000 lm, 3000K, Narrow Spot

DRD2M10930NS



Luminous Intensity

Gamma	C 0°
0°	9823
5°	6600
10°	2335
15°	734
20°	357
25°	244
30°	195
35°	159
40°	116
45°	85
50°	61
55°	42
60°	28
65°	16
70°	7
75°	4
80°	2
85°	1
90°	0

Values in candela

Zonal Lumen Summary

Zone	Lumens	Luminaire %
0-30	906	80
0-40	1004	89
0-60	1110	98
0-90	1131	100
0-180	1132	100

Illuminance Chart

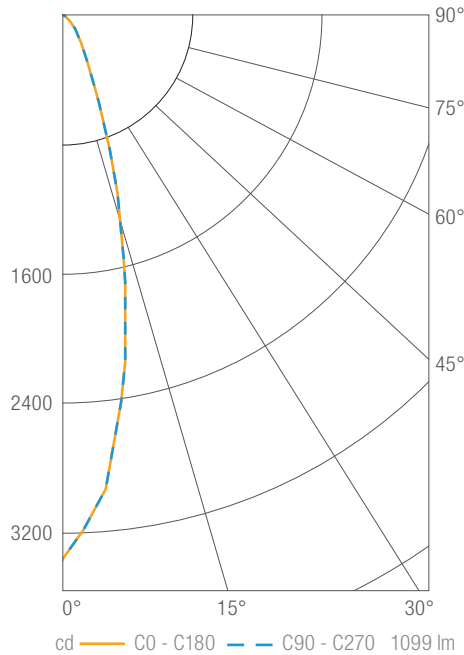
Distance from LED	Foot Candles	Diameter
3'	1091	0.7'
6'	273	1.5'
9'	121	2.2'
12'	68	2.9'

Beam Angle: 14°

PHOTOMETRY

DRD2 1000 lm, 3000K, Spot

DRD2M10930SP



Luminous Intensity

Gamma	C 0°
0°	3366
5°	2967
10°	2203
15°	1391
20°	775
25°	419
30°	248
35°	167
40°	119
45°	87
50°	62
55°	43
60°	26
65°	15
70°	7
75°	4
80°	2
85°	1
90°	0

Values in candela

Zonal Lumen Summary

Zone	Lumens	Luminaire %
0-30	862	78
0-40	971	88
0-60	1078	98
0-90	1098	100
0-180	1099	100

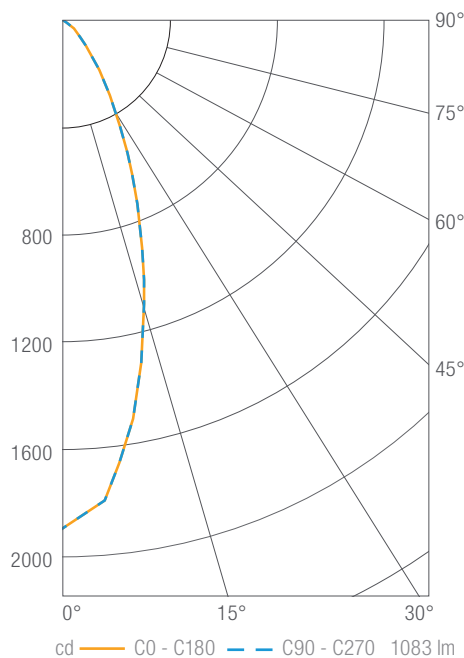
Illuminance Chart

Distance from LED	Foot Candles	Diameter
3'	374	1.4'
6'	93	2.8'
9'	42	4.2'
12'	23	5.6'

Beam Angle: 26°

DRD2 1000 lm, 3000K, Flood

DRD2M10930FL



Luminous Intensity

Gamma	C 0°
0°	1890
5°	1792
10°	1503
15°	1161
20°	849
25°	589
30°	391
35°	256
40°	162
45°	107
50°	74
55°	51
60°	30
65°	18
70°	8
75°	5
80°	3
85°	1
90°	0

Values in candela

Zonal Lumen Summary

Zone	Lumens	Luminaire %
0-30	760	70
0-40	925	85
0-60	1058	98
0-90	1081	100
0-180	1083	100

Illuminance Chart

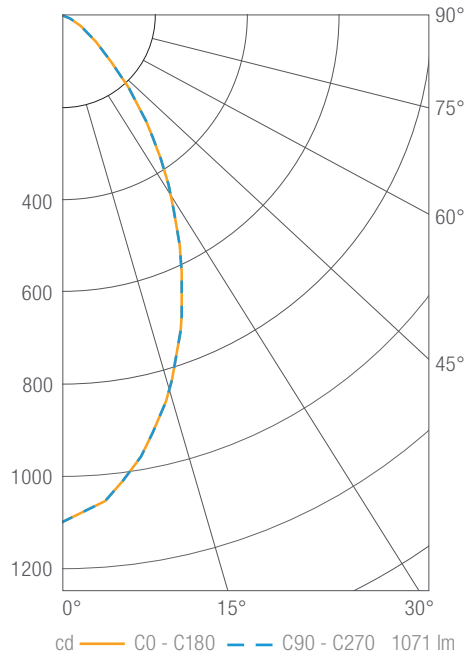
Distance from LED	Foot Candles	Diameter
3'	210	2.0'
6'	52	4.0'
9'	23	6.0'
12'	13	8.0'

Beam Angle: 37°

PHOTOMETRY

DRD2 1000 lm, 3000K, Wide Flood

DRD2M10930WF



Luminous Intensity

Gamma	C 0°
0°	1100
5°	1058
10°	973
15°	866
20°	743
25°	609
30°	478
35°	361
40°	252
45°	161
50°	102
55°	68
60°	41
65°	24
70°	11
75°	6
80°	4
85°	2
90°	0

Values in candela

Zonal Lumen Summary

Zone	Lumens	Luminaire %
0-30	620	58
0-40	845	79
0-60	1037	97
0-90	1069	100
0-180	1071	100

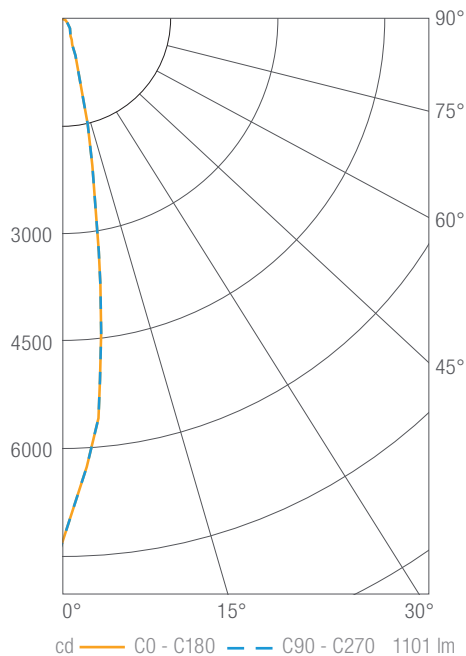
Illuminance Chart

Distance from LED	Foot Candles	Diameter
3'	122	3.1'
6'	31	6.2'
9'	14	9.3'
12'	8	12.3'

Beam Angle: 55°

DRD2 1000 lm, 3000K, Soft Focus

DRD2M10930SF



Luminous Intensity

Gamma	C 0°
0°	7280
5°	5603
10°	2489
15°	875
20°	381
25°	247
30°	194
35°	161
40°	122
45°	90
50°	64
55°	45
60°	28
65°	16
70°	7
75°	4
80°	2
85°	1
90°	0

Values in candela

Zonal Lumen Summary

Zone	Lumens	Luminaire %
0-30	868	79
0-40	968	88
0-60	1078	98
0-90	1100	100
0-180	1101	100

Illuminance Chart

Distance from LED	Foot Candles	Diameter
3'	809	0.9'
6'	202	1.7'
9'	90	2.6'
12'	51	3.4'

Beam Angle: 16°