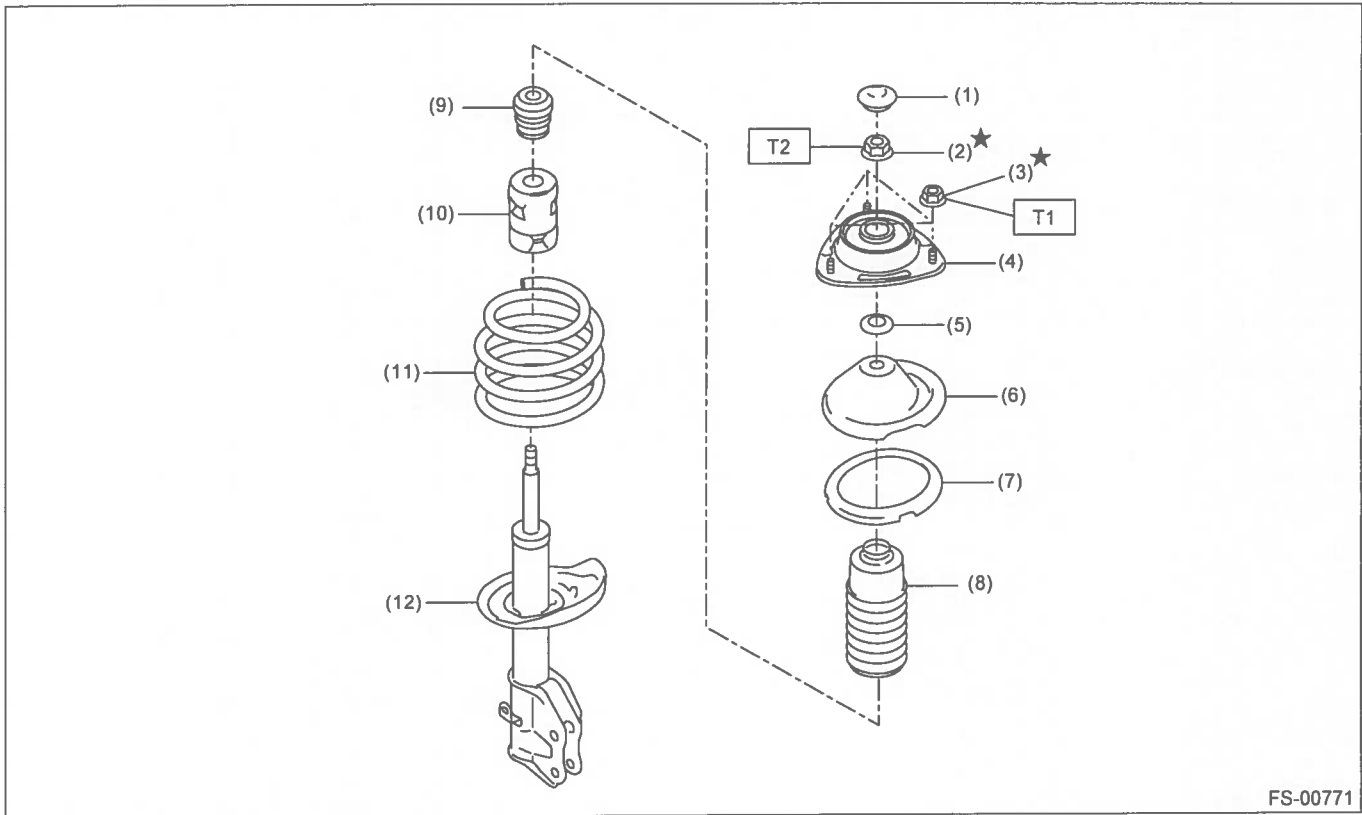


2. FRONT STRUT



FS-00771

(1) Dust seal - front strut

(2) Self-locking nut

(3) Flange nut

(4) Strut mount - front

(5) Spacer - front strut

(6) Spring seat - front strut UPR

(7) Rubber seat - front strut

(8) Dust cover - front strut

(9) Helper - front strut

(10) Dust cover inner

(11) Coil spring - front

(12) Strut COMPL - front

Tightening torque: N·m (kgf·m, ft·lb)

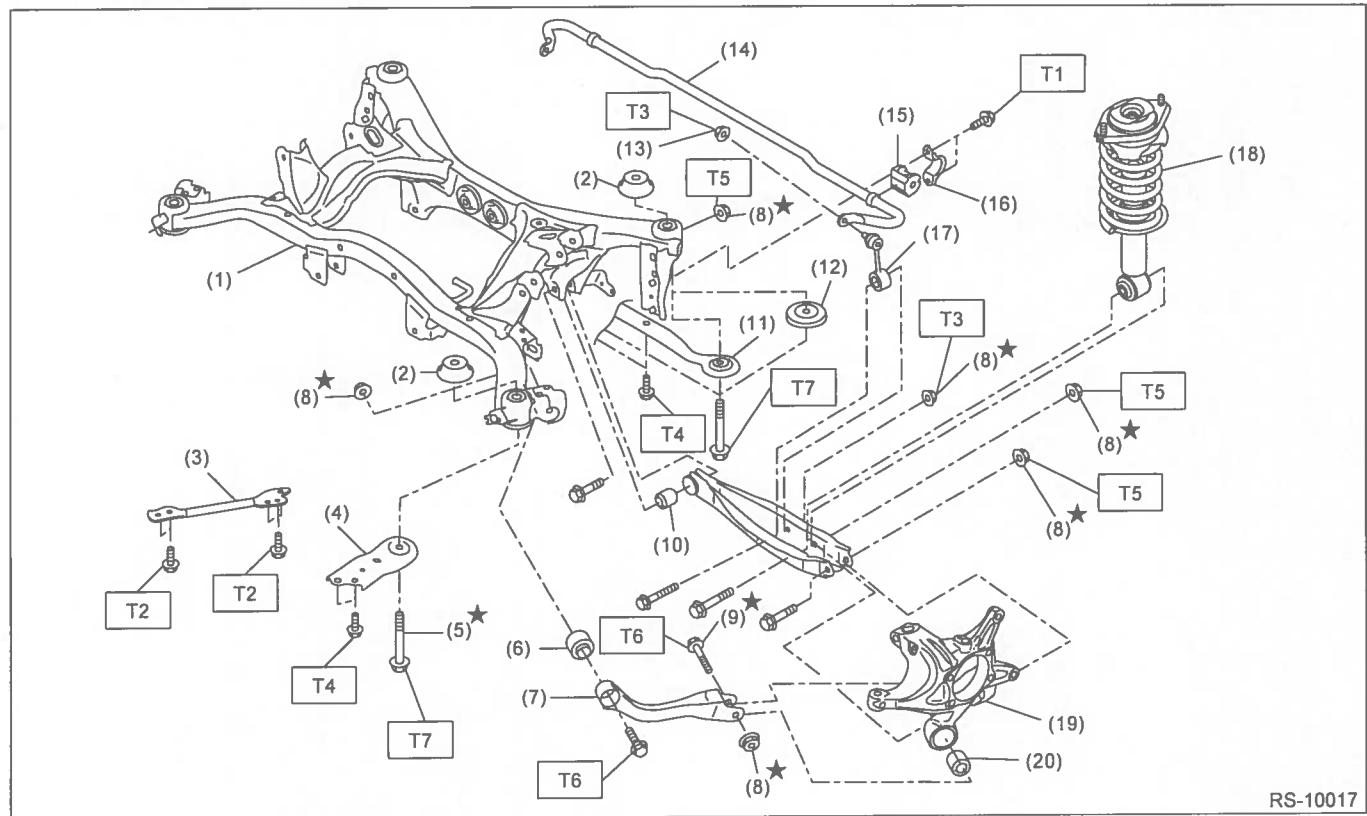
T1: 20 (2.04, 14.8)

T2: 55 (5.61, 40.6)

REAR SUSPENSION > General Description

COMPONENT

1. REAR SUSPENSION



- | | |
|---|------------------------------------|
| (1) Rear sub frame ASSY | (12) Stopper LWR (non-turbo model) |
| (2) Stopper upper | (13) Flange nut |
| (3) Stay - rear frame COMPL | (14) Rear stabilizer |
| (4) Front sub frame support | (15) Bushing - stabilizer |
| (5) Flange bolt A | (16) Clamp - stabilizer bushing |
| (6) Bushing A - trailing link | (17) Stabilizer link |
| (7) Trailing link | (18) Rear shock absorber ASSY |
| (8) Self-locking nut | (19) Housing ASSY - rear axle |
| (9) Flange bolt B | (20) Bushing - trailing link |
| (10) Bushing C - lateral link rear | |
| (11) Rear support sub frame (turbo model) | |

Tightening torque: N·m (kgf-m, ft-lb)

T1: 30 (3.06, 22.1)

T2: 33 (3.36, 24.3)

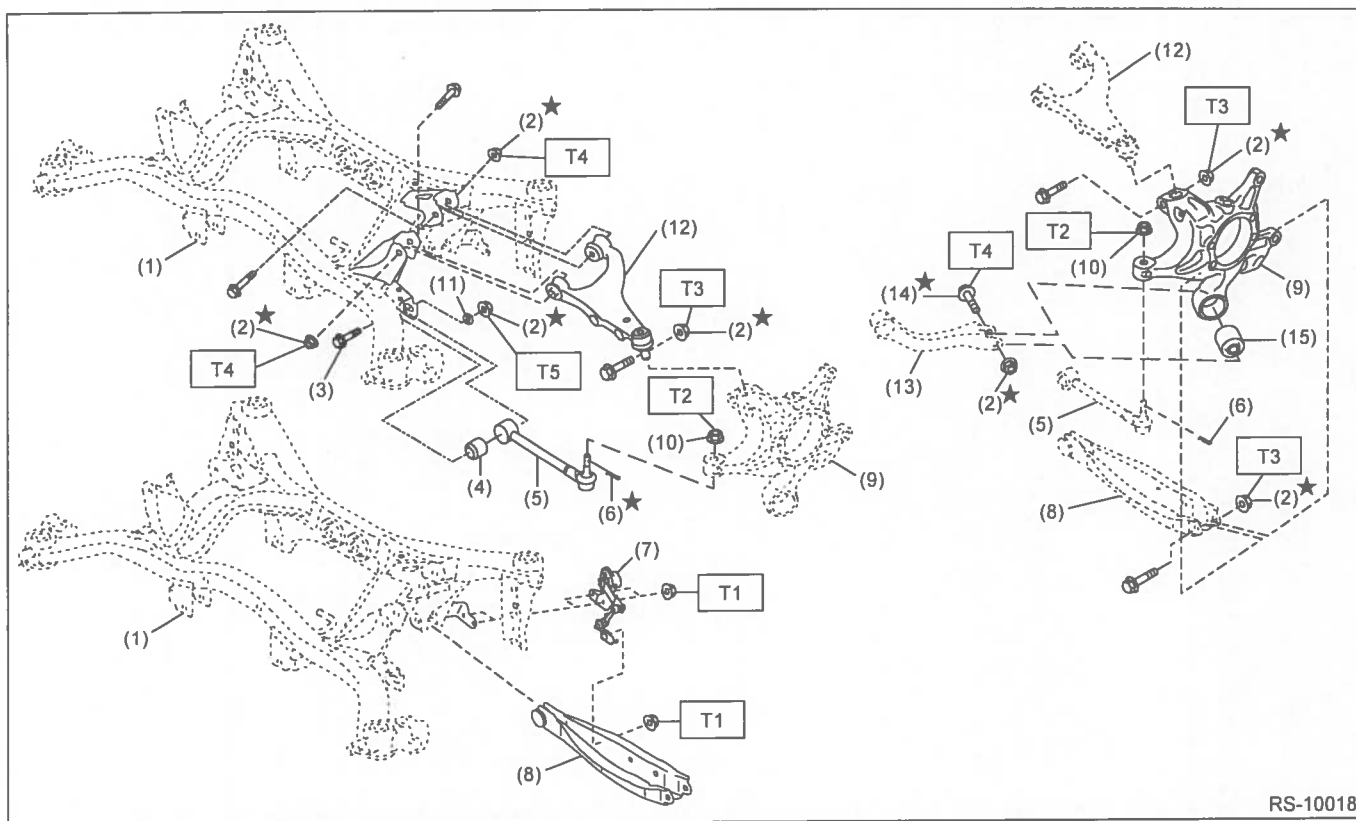
T3: 38 (3.87, 28)

T4: 70 (7.14, 51.6)

T5: 85 (8.67, 62.7)

T6: 90 (9.18, 66.4)

T7: 145 (14.79, 106.9)

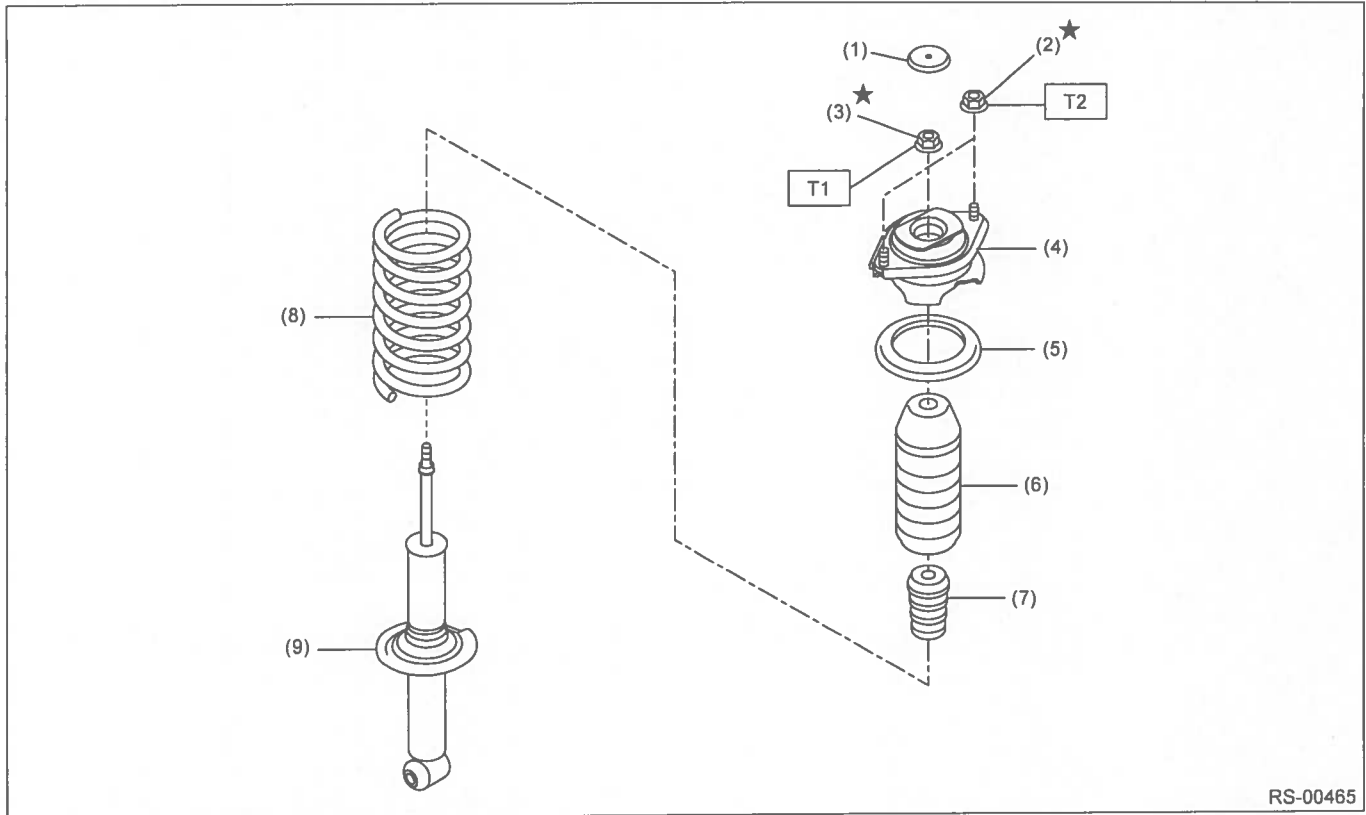


- | | |
|---|------------------------------|
| (1) Rear sub frame ASSY | (9) Housing ASSY - rear axle |
| (2) Self-locking nut | (10) Flange nut |
| (3) Adjusting bolt | (11) Adjusting washer |
| (4) Bushing B - lateral link | (12) Rear upper arm ASSY |
| (5) Lateral link ASSY - front | (13) Trailing link |
| (6) Snap pin | (14) Flange bolt |
| (7) Sensor ASSY - headlight beam leveler (models with auto headlight beam leveler only) | (15) Bushing - trailing link |
| (8) Lateral link ASSY - rear | |

Tightening torque: N·m (kgf-m, ft-lb)

- T1: 7.5 (0.76, 5.5)**
T2: 60 (6.12, 44.3)
T3: 80 (8.16, 59)
T4: 90 (9.18, 66.4)
T5: 100 (10.2, 73.8)

2. REAR SHOCK ABSORBER



(1) Plug

(6) Dust cover - rear shock

**Tightening torque: N·m (kgf·m,
ft·lb)**

(2) Flange nut

(7) Helper - rear

T1: 25 (2.55, 18.4)

(3) Self-locking nut

(8) Coil spring - rear

T2: 30 (3.06, 22.1)

(4) Shock mount - rear

(9) Shock absorber COMPL - rear

(5) Rubber seat - shock UPR